

AMD Opteron LS20 Type 8850  
for IBM BladeCenter

# Problem Determination and Service Guide



AMD Opteron LS20 Type 8850  
for IBM BladeCenter

# Problem Determination and Service Guide

**Note:** Before using this information and the product it supports, read the general information in Appendix B, "Notices," on page 93.

**Fifth Edition (October 2010)**

**© Copyright IBM Corporation 2005.**

US Government Users Restricted Rights – Use, duplication or disclosure restricted by GSA ADP Schedule Contract with IBM Corp.

---

# Contents

<b>Safety</b> . . . . .	v
Guidelines for trained service technicians . . . . .	vi
Inspecting for unsafe conditions . . . . .	vi
Guidelines for servicing electrical equipment . . . . .	vi
Safety statements . . . . .	vii
<b>Chapter 1. Introduction</b> . . . . .	1
Related documentation . . . . .	1
Notices and statements in this document . . . . .	2
LS20 Type 8850 specifications for non-NEBS/ETSI environments . . . . .	3
Blade server control panel buttons and LEDs . . . . .	4
Turning on the blade server. . . . .	6
Turning off the blade server. . . . .	6
System-board layouts . . . . .	7
System-board connectors . . . . .	7
System-board jumpers . . . . .	7
System-board LEDs . . . . .	8
<b>Chapter 2. Diagnostics</b> . . . . .	9
Diagnostic tools . . . . .	9
POST . . . . .	9
POST beep codes . . . . .	9
Error logs . . . . .	17
POST error codes . . . . .	19
Checkout procedure . . . . .	26
About the checkout procedure . . . . .	26
Performing the checkout procedure . . . . .	27
Troubleshooting tables . . . . .	27
CD or DVD drive problems . . . . .	28
Diskette drive problems . . . . .	29
General problems . . . . .	29
Hard disk drive problems . . . . .	30
Intermittent problems . . . . .	30
Keyboard, mouse, or pointing-device problems . . . . .	31
Memory problems . . . . .	32
Microprocessor problems . . . . .	32
Monitor or video problems . . . . .	33
Network connection problems . . . . .	34
Optional-device problems . . . . .	35
Power error messages . . . . .	35
Power problems . . . . .	37
ServerGuide problems . . . . .	38
Service processor problems . . . . .	39
Software problems . . . . .	39
Universal Serial Bus (USB) port problems . . . . .	39
Light path diagnostics . . . . .	40
Viewing the light path diagnostics LEDs . . . . .	40
Light path diagnostics LEDs . . . . .	42
Diagnostic programs, messages, and error codes . . . . .	43
Running the diagnostic programs . . . . .	43
Diagnostic text messages . . . . .	44
Viewing the test log . . . . .	45
Diagnostic error codes . . . . .	45

Recovering from a BIOS update failure . . . . .	49
Service processor (BMC) error codes . . . . .	50
Solving SCSI problems . . . . .	50
Solving undetermined problems. . . . .	50
Calling IBM for service . . . . .	51
<b>Chapter 3. Parts listing, Type 8850 . . . . .</b>	<b>53</b>
Server replaceable units . . . . .	54
Product recovery CDs . . . . .	55
<b>Chapter 4. Removing and replacing blade server components . . . . .</b>	<b>59</b>
Installation guidelines . . . . .	59
System reliability guidelines . . . . .	60
Handling static-sensitive devices . . . . .	60
Returning a device or component . . . . .	60
Removing and installing the blade server in a BladeCenter unit . . . . .	61
Operating the blade server cover . . . . .	64
Removing and replacing the bezel assembly . . . . .	66
Removing and replacing Tier 1 CRUs . . . . .	67
SCSI hard disk drive . . . . .	67
Memory modules (DIMMs) . . . . .	69
I/O expansion card . . . . .	72
Battery . . . . .	76
Removing and replacing FRUs . . . . .	78
Microprocessor . . . . .	78
System board assembly . . . . .	84
<b>Chapter 5. Configuration information and instructions . . . . .</b>	<b>85</b>
Updating the firmware . . . . .	85
Configuring the blade server . . . . .	86
Using the Configuration/Setup Utility program . . . . .	86
Starting the Configuration/Setup Utility program . . . . .	87
Configuration/Setup Utility menu choices . . . . .	87
Using passwords . . . . .	87
Configuring the Gigabit Ethernet controllers . . . . .	88
Blade server Ethernet controller enumeration . . . . .	89
Configuring a SCSI RAID . . . . .	89
<b>Appendix A. Getting help and technical assistance . . . . .</b>	<b>91</b>
Before you call . . . . .	91
Using the documentation . . . . .	91
Getting help and information from the World Wide Web . . . . .	92
Software service and support . . . . .	92
Hardware service and support . . . . .	92
<b>Appendix B. Notices . . . . .</b>	<b>93</b>
Edition notice . . . . .	93
Trademarks . . . . .	94
Important notes. . . . .	95
Product recycling and disposal . . . . .	95
Battery return program . . . . .	96
<b>Index . . . . .</b>	<b>97</b>

## Safety

Before installing this product, read the Safety Information.

قبل تركيب هذا المنتج، يجب قراءة الملاحظات الأمنية

Antes de instalar este produto, leia as Informações de Segurança.

在安装本产品之前，请仔细阅读 **Safety Information** (安全信息)。

安裝本產品之前，請先閱讀「安全資訊」。

Prije instalacije ovog produkta obavezno pročitajte Sigurnosne Upute.

Před instalací tohoto produktu si přečtěte příručku bezpečnostních instrukcí.

Læs sikkerhedsforskrifterne, før du installerer dette produkt.

Lees voordat u dit product installeert eerst de veiligheidsvoorschriften.

Ennen kuin asennat tämän tuotteen, lue turvaohjeet kohdasta Safety Information.

Avant d'installer ce produit, lisez les consignes de sécurité.

Vor der Installation dieses Produkts die Sicherheitshinweise lesen.

Πριν εγκαταστήσετε το προϊόν αυτό, διαβάστε τις πληροφορίες ασφάλειας (safety information).

לפני שתתקינו מוצר זה, קראו את הוראות הבטיחות.

A termék telepítése előtt olvassa el a Biztonsági előírásokat!

Prima di installare questo prodotto, leggere le Informazioni sulla Sicurezza.

製品の設置の前に、安全情報をお読みください。

본 제품을 설치하기 전에 안전 정보를 읽으십시오.

Пред да се инсталира овој продукт, прочитајте информацијата за безбедност.

Les sikkerhetsinformasjonen (Safety Information) før du installerer dette produktet.

Przed zainstalowaniem tego produktu, należy zapoznać się z książką "Informacje dotyczące bezpieczeństwa" (Safety Information).

Antes de instalar este produto, leia as Informações sobre Segurança.

Перед установкой продукта прочтите инструкции по технике безопасности.

Pred inštaláciou tohto zariadenia si pečítajte Bezpečnostné predpisy.

Pred namestitvijo tega proizvoda preberite Varnostne informacije.

Antes de instalar este producto, lea la información de seguridad.

Läs säkerhetsinformationen innan du installerar den här produkten.

---

## Guidelines for trained service technicians

This section contains information for trained service technicians.

### Inspecting for unsafe conditions

Use the information in this section to help you identify potential unsafe conditions in an IBM product that you are working on. Each IBM product, as it was designed and manufactured, has required safety items to protect users and service technicians from injury. The information in this section addresses only those items. Use good judgment to identify potential unsafe conditions that might be caused by non-IBM alterations or attachment of non-IBM features or options that are not addressed in this section. If you identify an unsafe condition, you must determine how serious the hazard is and whether you must correct the problem before you work on the product.

Consider the following conditions and the safety hazards that they present:

- Electrical hazards, especially primary power. Primary voltage on the frame can cause serious or fatal electrical shock.
- Explosive hazards, such as a damaged CRT face or a bulging capacitor.
- Mechanical hazards, such as loose or missing hardware.

To inspect the product for potential unsafe conditions, complete the following steps:

1. Make sure that the power is off and the power cord is disconnected.
2. Make sure that the exterior cover is not damaged, loose, or broken, and observe any sharp edges.
3. Check the power cord:
  - Make sure that the third-wire ground connector is in good condition. Use a meter to measure third-wire ground continuity for 0.1 ohm or less between the external ground pin and the frame ground.
  - Make sure that the power cord is the correct type, as specified in the documentation for your BladeCenter unit type.
  - Make sure that the insulation is not frayed or worn.
4. Remove the cover.
5. Check for any obvious non-IBM alterations. Use good judgment as to the safety of any non-IBM alterations.
6. Check inside the server for any obvious unsafe conditions, such as metal filings, contamination, water or other liquid, or signs of fire or smoke damage.
7. Check for worn, frayed, or pinched cables.
8. Make sure that the power-supply cover fasteners (screws or rivets) have not been removed or tampered with.

### Guidelines for servicing electrical equipment

Observe the following guidelines when servicing electrical equipment:

- Check the area for electrical hazards such as moist floors, nongrounded power extension cords, and missing safety grounds.
- Use only approved tools and test equipment. Some hand tools have handles that are covered with a soft material that does not provide insulation from live electrical current.
- Regularly inspect and maintain your electrical hand tools for safe operational condition. Do not use worn or broken tools or testers.



- Do not touch the reflective surface of a dental mirror to a live electrical circuit. The surface is conductive and can cause personal injury or equipment damage if it touches a live electrical circuit.
- Some rubber floor mats contain small conductive fibers to decrease electrostatic discharge. Do not use this type of mat to protect yourself from electrical shock.
- Do not work alone under hazardous conditions or near equipment that has hazardous voltages.
- Locate the emergency power-off (EPO) switch, disconnecting switch, or electrical outlet so that you can turn off the power quickly in the event of an electrical accident.
- Disconnect all power before you perform a mechanical inspection, work near power supplies, or remove or install main units.
- Before you work on the equipment, disconnect the power cord. If you cannot disconnect the power cord, have the customer power-off the wall box that supplies power to the equipment and lock the wall box in the off position.
- Never assume that power has been disconnected from a circuit. Check it to make sure that it has been disconnected.
- If you have to work on equipment that has exposed electrical circuits, observe the following precautions:
  - Make sure that another person who is familiar with the power-off controls is near you and is available to turn off the power if necessary.
  - When you are working with powered-on electrical equipment, use only one hand. Keep the other hand in your pocket or behind your back to avoid creating a complete circuit that could cause an electrical shock.
  - When using a tester, set the controls correctly and use the approved probe leads and accessories for that tester.
  - Stand on a suitable rubber mat to insulate you from grounds such as metal floor strips and equipment frames.
- Use extreme care when measuring high voltages.
- To ensure proper grounding of components such as power supplies, pumps, blowers, fans, and motor generators, do not service these components outside of their normal operating locations.
- If an electrical accident occurs, use caution, turn off the power, and send another person to get medical aid.

---

## Safety statements

### Important:

Each caution and danger statement in this documentation begins with a number. This number is used to cross reference an English-language caution or danger statement with translated versions of the caution or danger statement in the *Safety Information* document.

For example, if a caution statement begins with a number 1, translations for that caution statement appear in the *Safety Information* document under statement 1.

Be sure to read all caution and danger statements in this documentation before performing the instructions. Read any additional safety information that comes with your server or optional device before you install the device.

Statement 1:



**DANGER**

**Electrical current from power, telephone, and communication cables is hazardous.**

**To avoid a shock hazard:**

- **Do not connect or disconnect any cables or perform installation, maintenance, or reconfiguration of this product during an electrical storm.**
- **Connect all power cords to a properly wired and grounded electrical outlet.**
- **Connect to properly wired outlets any equipment that will be attached to this product.**
- **When possible, use one hand only to connect or disconnect signal cables.**
- **Never turn on any equipment when there is evidence of fire, water, or structural damage.**
- **Disconnect the attached power cords, telecommunications systems, networks, and modems before you open the device covers, unless instructed otherwise in the installation and configuration procedures.**
- **Connect and disconnect cables as described in the following table when installing, moving, or opening covers on this product or attached devices.**

**To Connect:**

1. Turn everything OFF.
2. First, attach all cables to devices.
3. Attach signal cables to connectors.
4. Attach power cords to outlet.
5. Turn device ON.

**To Disconnect:**

1. Turn everything OFF.
2. First, remove power cords from outlet.
3. Remove signal cables from connectors.
4. Remove all cables from devices.

**Statement 2:**



**CAUTION:**

When replacing the lithium battery, use only IBM Part Number 33F8354 or an equivalent type battery recommended by the manufacturer. If your system has a module containing a lithium battery, replace it only with the same module type made by the same manufacturer. The battery contains lithium and can explode if not properly used, handled, or disposed of.

*Do not:*

- Throw or immerse into water
- Heat to more than 100°C (212°F)
- Repair or disassemble

Dispose of the battery as required by local ordinances or regulations.

**Statement 3:**



**CAUTION:**

When laser products (such as CD-ROMs, DVD drives, fiber optic devices, or transmitters) are installed, note the following:

- Do not remove the covers. Removing the covers of the laser product could result in exposure to hazardous laser radiation. There are no serviceable parts inside the device.
- Use of controls or adjustments or performance of procedures other than those specified herein might result in hazardous radiation exposure.

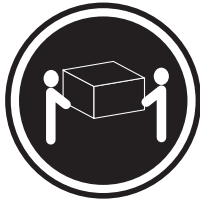


**DANGER**

Some laser products contain an embedded Class 3A or Class 3B laser diode. Note the following.

Laser radiation when open. Do not stare into the beam, do not view directly with optical instruments, and avoid direct exposure to the beam.

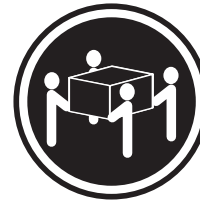
**Statement 4:**



≥ 18 kg (39.7 lb)



≥ 32 kg (70.5 lb)



≥ 55 kg (121.2 lb)

**CAUTION:**

**Use safe practices when lifting.**

**Statement 5:**



**CAUTION:**

The power control button on the device and the power switch on the power supply do not turn off the electrical current supplied to the device. The device also might have more than one power cord. To remove all electrical current from the device, ensure that all power cords are disconnected from the power source.



**Statement 8:**



**CAUTION:**

Never remove the cover on a power supply or any part that has the following label attached.



Hazardous voltage, current, and energy levels are present inside any component that has this label attached. There are no serviceable parts inside these components. If you suspect a problem with one of these parts, contact a service technician.

**Statement 10:**



**CAUTION:**

Do not place any object on top of rack-mounted devices.





---

## Chapter 1. Introduction

This *Problem Determination and Service Guide* contains information to help you solve problems that might occur in your AMD Opteron LS20 Type 8850 for IBM® BladeCenter server. It describes the diagnostic tools that come with the server, error codes and suggested actions, and instructions for replacing failing components.

Replaceable components are of three types:

- **Tier 1 customer replaceable unit (CRU):** Replacement of Tier 1 CRUs is your responsibility. If IBM installs a Tier 1 CRU at your request, you will be charged for the installation.
- **Tier 2 customer replaceable unit:** You may install a Tier 2 CRU yourself or request IBM to install it, at no additional charge, under the type of warranty service that is designated for your server.
- **Field replaceable unit (FRU):** FRUs must be installed only by trained service technicians.

For information about the terms of the warranty and getting service and assistance, see the *Warranty and Support Information* document.

---

## Related documentation

In addition to this document, the following documentation also comes with the server:

- *Installation and User's Guide*

This printed document contains general information about the server, including how to install supported options and how to configure the server.

- *Safety Information*

This document is in Portable Document Format (PDF) on the *Documentation CD*. It contains translated caution and danger statements. Each caution and danger statement that appears in the documentation has a number that you can use to locate the corresponding statement in your language in the *Safety Information* document.

- *Warranty and Support Information*

This document is in PDF on the *Documentation CD*. It contains information about the terms of the warranty and about service and assistance.

Depending on the server model, additional documentation might be included on the *Documentation CD*.

The blade server might have features that are not described in the documentation that comes with the server. The documentation might be updated occasionally to include information about those features, or technical updates might be available to provide additional information that is not included in the blade server documentation. The most recent versions of all BladeCenter documentation is at <http://www.ibm.com/support/>.

In addition to the documentation in this library, be sure to review the *IBM BladeCenter Planning and Installation Guide* for your BladeCenter unit type for information to help you prepare for system installation and configuration. This document is available at <http://www.ibm.com/pc/eserver/bladecenter/>.

---

## Notices and statements in this document

The caution and danger statements that appear in this document are also in the multilingual *Safety Information* document, which is on the *Documentation* CD. Each statement is numbered for reference to the corresponding statement in the *Safety Information* document.

The following notices and statements are used in this document:

- **Note:** These notices provide important tips, guidance, or advice.
- **Important:** These notices provide information or advice that might help you avoid inconvenient or problem situations.
- **Attention:** These notices indicate potential damage to programs, devices, or data. An attention notice is placed just before the instruction or situation in which damage could occur.
- **Caution:** These statements indicate situations that can be potentially hazardous to you. A caution statement is placed just before the description of a potentially hazardous procedure step or situation.
- **Danger:** These statements indicate situations that can be potentially lethal or extremely hazardous to you. A danger statement is placed just before the description of a potentially lethal or extremely hazardous procedure step or situation.



## LS20 Type 8850 specifications for non-NEBS/ETSI environments

The following table provides a summary of the features and specifications of the LS20 Type 8850 blade server operating in a non-NEBS/ETSI environment.

**Note:** Power, cooling, removable-media drives, external ports, and advanced system management are provided by the BladeCenter unit.

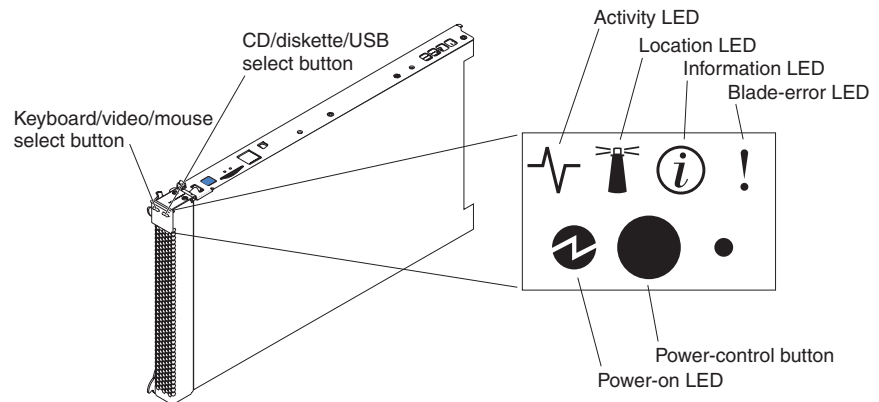
<p><b>Microprocessor:</b></p> <p>Supports up to two microprocessors</p> <ul style="list-style-type: none"> <li>• AMD Opteron processor</li> <li>• AMD chipset</li> </ul> <p><b>Note:</b> Use the Configuration/Setup Utility program to determine the type and speed of the microprocessors in your blade server.</p> <p><b>Memory:</b></p> <ul style="list-style-type: none"> <li>• Dual channel (DDR1) with 4 dual inline memory module (DIMM) slots (two for each microprocessor)</li> <li>• Type: 2-way interleaved, DDR1, PC3200, Very Low Profile (VLP), ECC SDRAM registered x4 (Chipkill) DIMMs only (Chipkill is not supported for 512 MB DIMMs)</li> <li>• Supports 512 MB, 1 GB, and 2 GB DIMMs (as of the date of this publication)</li> </ul> <p><b>Drives:</b> Support for two internal small-form-factor SCSI drives</p>	<p><b>Integrated functions:</b></p> <ul style="list-style-type: none"> <li>• Dual-channel Gigabit Ethernet controller</li> <li>• Expansion card interface</li> <li>• Baseboard management controller (BMC) with IPMI firmware</li> <li>• ATI Radeon 7000M video controller</li> <li>• LSI 1020 SCSI controller</li> <li>• Light path diagnostics</li> <li>• Local service processor (BMC)</li> <li>• RS-485 interface for communication with the management module</li> <li>• Automatic server restart (ASR)</li> <li>• Serial over LAN (SOL)</li> <li>• Intelligent Platform Management Interface (IPMI)</li> <li>• 4 USB buses for communication with keyboard, mouse, diskette drive, and CD-ROM drive</li> </ul> <p><b>Predictive Failure Analysis (PFA) alerts:</b></p> <ul style="list-style-type: none"> <li>• Microprocessor</li> <li>• Memory</li> </ul>	<p><b>Electrical Input:</b> 12 V dc</p> <p><b>Environment:</b></p> <ul style="list-style-type: none"> <li>• Air temperature: <ul style="list-style-type: none"> <li>– Blade server on: 10° to 35°C (50° to 95°F). Altitude: 0 to 914 m (2998.69 ft)</li> <li>– Blade server on: 10° to 32°C (50° to 95°F). Altitude: 914 m to 2134 m (2998.69 ft to 7000 ft)</li> <li>– Blade server off: -40° to 60°C (-40° to 140°F)</li> </ul> </li> <li>• Humidity: <ul style="list-style-type: none"> <li>– Blade server on: 8% to 80%</li> <li>– Blade server off: 5% to 80%</li> </ul> </li> </ul> <p><b>Size:</b></p> <ul style="list-style-type: none"> <li>• Height: 24.5 cm (9.7 inches)</li> <li>• Depth: 44.6 cm (17.6 inches)</li> <li>• Width: 2.9 cm (1.14 inches)</li> <li>• Maximum weight: 5.0 kg (11 lb)</li> </ul>
---	---	---

**Note:** The operating system in the blade server must provide USB support for the blade server to recognize and use the keyboard, mouse, CD drive, and diskette drive. The BladeCenter unit uses USB for internal communications with these devices.

## Blade server control panel buttons and LEDs

This section describes the blade server control panel buttons and LEDs.

**Note:** The control panel door is shown in the closed (normal) position in the following illustration. To access the power-control button, you must open the control panel door.



**Keyboard/video/mouse (KVM) select button:** Press this button to associate the shared BladeCenter unit keyboard port, video port, and mouse port with the blade server. The LED on this button flashes while the request is being processed then is lit when the ownership of the keyboard, video, and mouse has been transferred to the blade server. It can take approximately 20 seconds to switch the keyboard, video, and mouse control to the blade server.

You can also press keyboard keys in the following sequence to switch keyboard, mouse, and video control between blade servers:

NumLock NumLock *blade\_server\_number* Enter

Where *blade\_server\_number* is the two-digit number for the blade bay in which the blade server is installed.

Although the keyboard that is attached to the BladeCenter unit is a PS/2-style keyboard, internal communication with it is through the USB. The operating system in the blade server must provide USB support for the blade server to recognize and use the keyboard and mouse. When you are not running an operating system that has USB device drivers, such as in the following situations, the keyboard responds very slowly:

- Running the blade server integrated diagnostics
- Running a BIOS update diskette on a blade server
- Updating the diagnostics on a blade server
- Running the Broadcom firmware CD for a blade server

If there is no response when you press the keyboard/video/mouse select button, you can use the management-module Web interface to determine whether local control has been disabled on the blade server.

If you install a supported Microsoft Windows operating system on the blade server while it is not the current owner of the keyboard, mouse, and video, a delay of up to 1 minute occurs the first time you switch the keyboard, mouse, and video to the blade server. During this one-time-only delay, the blade server device manager enumerates the keyboard, mouse, and video and loads the device drivers. All subsequent switching takes place in the normal keyboard/video/mouse switching time frame (up to 20 seconds).

**CD/diskette/USB select button:** Press this button to associate the shared BladeCenter unit removable-media drives and USB ports with the blade server. The LED on the button flashes while the request is being processed then is lit when the ownership of the removable-media drives and USB ports has been transferred to the blade server. It can take approximately 20 seconds for the operating system in the blade server to recognize the removable-media drives and USB ports.

The operating system in the blade server must provide USB support for the blade server to recognize and use the removable-media drives and USB ports. The BladeCenter unit uses USB for internal communication with these devices. If there is no response when you press the CD/diskette/USB select button, you can use the management-module Web interface to determine whether local control has been disabled on the blade server.

**Activity LED:** When this green LED is lit, it indicates that there is activity on the hard disk drive or network.

**Location LED:** When this blue LED is lit, it has been turned on by the system administrator to aid in visually locating the blade server. The location LED on the BladeCenter unit will be lit also. The location LED can be turned off through the management-module Web interface or through IBM Director Console.

**Information LED:** When this amber LED is lit, it indicates that information about a system error for the blade server has been placed in the Management Module Event Log. The information LED can be turned off through the management-module Web interface or through IBM Director Console.

**Blade-error LED:** When this amber LED is lit, it indicates that a system error has occurred in the blade server. The blade-error LED will turn off only after the error is corrected.

**Power-control button:** This button is behind the control panel door. Press this button to turn on or turn off the blade server.

**Note:** The power-control button has effect only if local power control is enabled for the blade server. Local power control is enabled and disabled through the management-module Web interface.

**Power-on LED:** This green LED indicates the power status of the blade server in the following manner:

- Flashing rapidly: The service processor (BMC) on the blade server is handshaking with the management module.
- Flashing slowly: The blade server has power but is not turned on.
- Lit continuously: The blade server has power and is turned on.

---

## Turning on the blade server

After you connect the blade server to power through the BladeCenter unit, the blade server can start in any of the following ways:

- You can press the power-control button on the front of the blade server (behind the control panel door, see “Blade server control panel buttons and LEDs” on page 4) to start the blade server.

### Notes:

1. Wait until the power-on LED on the blade server flashes slowly before pressing the blade server power-control button. During this time, the service processor in the management module is initializing; therefore, the power-control button on the blade server does not respond.
  2. While the blade server is powering-up, the power-on LED on the front of the server is lit. See “Blade server control panel buttons and LEDs” on page 4 for the power-on LED states.
- If a power failure occurs, the BladeCenter unit and then the blade server can start automatically when power is restored (if the blade server is configured through the management module to do so).
  - You can turn on the blade server remotely by means of the service processor in the management module.
  - If the operating system supports the Wake on LAN feature and the blade server power-on LED is flashing slowly, the Wake on LAN feature can turn on the blade server, if the Wake on LAN feature has not been disabled through the management module.

---

## Turning off the blade server

When you turn off the blade server, it is still connected to power through the BladeCenter unit. The blade server can respond to requests from the service processor, such as a remote request to turn on the blade server. To remove all power from the blade server, you must remove it from the BladeCenter unit.

Shut down the operating system before you turn off the blade server. See the operating-system documentation for information about shutting down the operating system.

The blade server can be turned off in any of the following ways:

- You can press the power-control button on the blade server (behind the control panel door, see “Blade server control panel buttons and LEDs” on page 4). This also starts an orderly shutdown of the operating system, if this feature is supported by the operating system.

**Note:** After turning off the blade server, wait at least 5 seconds before you press the power-control button to turn on the blade server again.

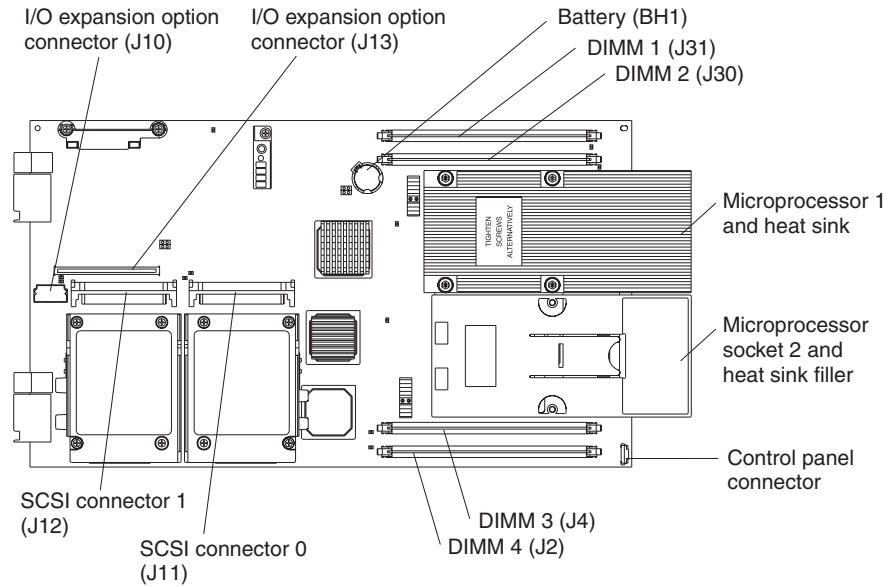
- If the operating system stops functioning, you can press and hold the power-control button for more than 4 seconds to turn off the blade server.
- The management module can turn off the blade server.

## System-board layouts

The following illustrations show the connectors, LEDs, switches, and jumpers on the system board. The illustrations in this document might differ slightly from your hardware.

## System-board connectors

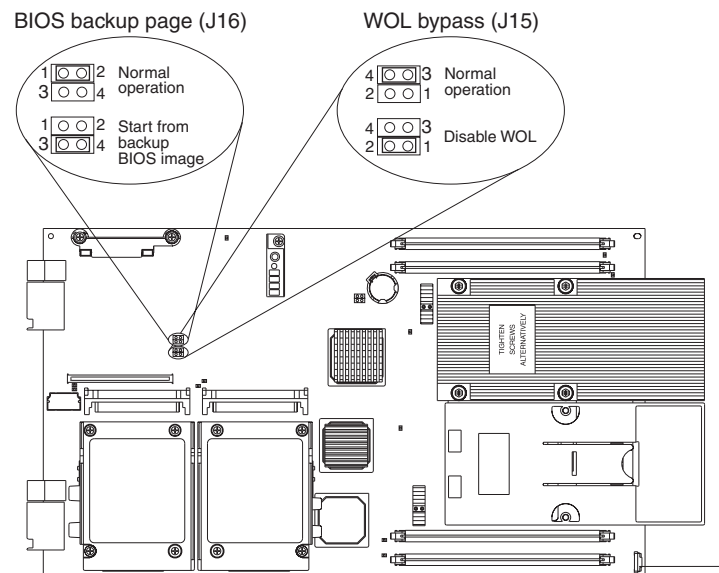
The following illustration shows the connectors on the system board.



## System-board jumpers

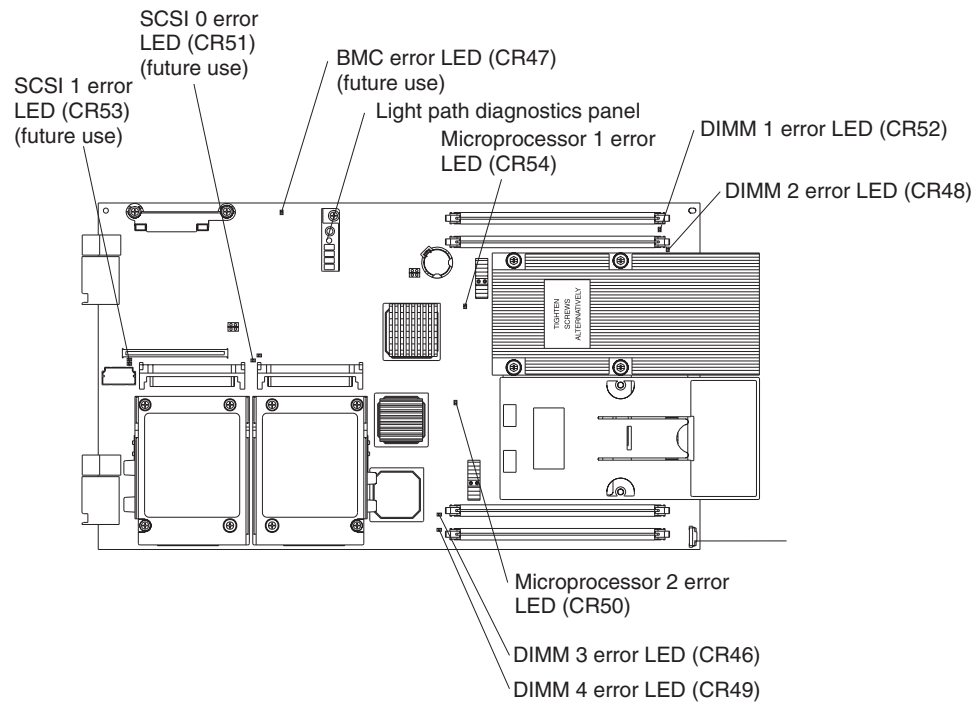
The following illustration shows the jumpers on the system board.

**Note:** This server does not have a power-on password override jumper. See “Using passwords” on page 87 for information about bypassing a power-on password.

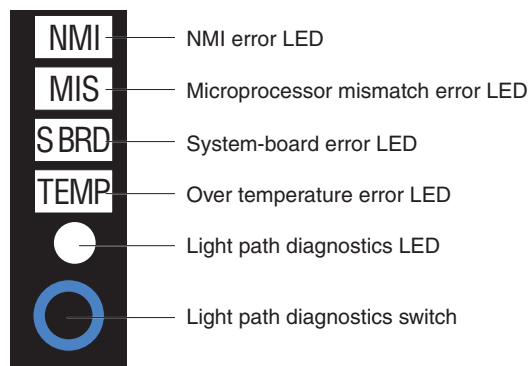


## System-board LEDs

The following illustration shows the LEDs on the system board. You have to remove the blade server from the BladeCenter unit, open the cover, and press the light path diagnostics switch to light any error LEDs that were turned on during processing.



The following illustration shows the light path diagnostics panel on the system board.



---

## Chapter 2. Diagnostics

This chapter describes the diagnostic tools that are available to help you solve problems that might occur in the server.

If you cannot locate and correct the problem using the information in this chapter, see Appendix A, “Getting help and technical assistance,” on page 91 for more information.

---

### Diagnostic tools

The following tools are available to help you diagnose and solve hardware-related problems:

- **POST beep codes, error messages, and error logs**

The power-on self-test (POST) generates beep codes and messages to indicate successful test completion or the detection of a problem. See “POST” for more information.
- **Troubleshooting tables**

These tables list problem symptoms and actions to correct the problems. See “Troubleshooting tables” on page 27 for more information.
- **Light path diagnostics**

Use the light path diagnostics to diagnose system errors quickly. See “Light path diagnostics” on page 40 for more information.
- **Diagnostic programs, messages, and error codes**

The diagnostic programs are the primary method of testing the major components of the blade server. These programs are stored in read-only memory (ROM) on the blade server. See “Diagnostic programs, messages, and error codes” on page 43 for more information.

---

### POST

When you turn on the blade server, it performs a series of tests to check the operation of server components and some optional devices in the server. This series of tests is called the power-on self-test, or POST.

If a power-on password is set, you must type the password and press Enter, when prompted, for POST to run.

If POST is completed without detecting any problems, a single beep sounds, and the server startup is completed.

If POST detects a problem, more than one beep might sound, or an error message is displayed. See “Beep code descriptions” on page 10 and “POST error codes” on page 19 for more information.

### POST beep codes

A beep code is a combination of short or long beeps or a series of short beeps that are separated by pauses. For example, a “1-2-3” beep code is one short beep, a pause, two short beeps, a pause, and three short beeps. A beep code other than one beep indicates that POST has detected a problem. To determine the meaning of a beep code, see “Beep code descriptions” on page 10. If no beep code sounds, see “No-beep symptoms” on page 16.

## Beep code descriptions

The following table describes the beep codes and suggested actions to correct the detected problems.

A single problem might cause more than one error message. When this occurs, correct the cause of the first error message. The other error messages usually will not occur the next time POST runs.

**Exception:** If there are multiple error codes or light path diagnostics LEDs that indicate a microprocessor error, the error might be in a microprocessor or in a microprocessor socket. See “Microprocessor problems” on page 32 for information about diagnosing microprocessor problems.

- Follow the suggested actions in the order in which they are listed in the Action column until the problem is solved.
- See Chapter 3, “Parts listing, Type 8850,” on page 53 to determine which components are customer replaceable units (CRU) and which components are field replaceable units (FRU).
- If an action step is preceded by “(Trained service technician only),” that step must be performed only by a trained service technician.

Beep code	Description	Action
1-1-2	Microprocessor register test failed	<ol style="list-style-type: none"> <li>1. Reseat the following components:               <ol style="list-style-type: none"> <li>a. (Trained service technician only) Microprocessor 2</li> <li>b. (Trained service technician only) Microprocessor 1</li> </ol> </li> <li>2. Replace the following components one at a time, in the order shown, restarting the server each time.               <ol style="list-style-type: none"> <li>a. (Trained service technician only) Microprocessor 2</li> <li>b. (Trained service technician only) Microprocessor 1</li> <li>c. (Trained service technician only) System board assembly</li> </ol> </li> </ol>
1-1-3	CMOS write/read test failed.	<ol style="list-style-type: none"> <li>1. Reseat the battery</li> <li>2. Replace the following components one at a time, in the order shown, restarting the server each time.               <ol style="list-style-type: none"> <li>a. Battery</li> <li>b. (Trained service technician only) System board assembly</li> </ol> </li> </ol>
1-1-4	BIOS ROM checksum failed.	<ol style="list-style-type: none"> <li>1. Flash the BIOS.</li> <li>2. Reseat the DIMMs.</li> <li>3. Replace the following components one at a time, in the order shown, restarting the server each time.               <ol style="list-style-type: none"> <li>a. DIMMs</li> <li>b. (Trained service technician only) System board assembly</li> </ol> </li> </ol>
1-2-1	Programmable interval timer failed.	(Trained service technician only) Replace the system board assembly.



- Follow the suggested actions in the order in which they are listed in the Action column until the problem is solved.
- See Chapter 3, “Parts listing, Type 8850,” on page 53 to determine which components are customer replaceable units (CRU) and which components are field replaceable units (FRU).
- If an action step is preceded by “(Trained service technician only),” that step must be performed only by a trained service technician.

Beep code	Description	Action
1-2-2	DMA initialization failed.	(Trained service technician only) Replace the system board assembly.
1-2-3	DMA page register write/read failed.	(Trained service technician only) Replace the system board assembly.
1-2-4	RAM refresh verification failed.	<ol style="list-style-type: none"> <li>1. Reseat the DIMMs.</li> <li>2. Replace the following components one at a time, in the order shown, restarting the server each time.               <ol style="list-style-type: none"> <li>a. DIMMs</li> <li>b. (Trained service technician only) System board assembly</li> </ol> </li> </ol>
1-3-1	First 64K RAM test failed.	<ol style="list-style-type: none"> <li>1. Reseat the DIMMs.</li> <li>2. Replace the following components one at a time, in the order shown, restarting the server each time.               <ol style="list-style-type: none"> <li>a. DIMMs</li> <li>b. (Trained service technician only) System board assembly</li> </ol> </li> </ol>
1-3-2	First 64K RAM parity test failed.	<ol style="list-style-type: none"> <li>1. Reseat the DIMMs.</li> <li>2. Replace the following components one at a time, in the order shown, restarting the server each time.               <ol style="list-style-type: none"> <li>a. DIMMs</li> <li>b. (Trained service technician only) System board assembly</li> </ol> </li> </ol>
2-1-1	Secondary DMA register failed.	(Trained service technician only) Replace the system board assembly.
2-1-2	Primary DMA register failed.	(Trained service technician only) Replace the system board assembly.
2-1-3	Primary interrupt mask register failed.	(Trained service technician only) Replace the system board assembly.
2-1-4	Secondary interrupt mask register failed.	(Trained service technician only) Replace the system board assembly.
2-2-1	Interrupt vector loading failed.	(Trained service technician only) Replace the system board assembly.

- Follow the suggested actions in the order in which they are listed in the Action column until the problem is solved.
- See Chapter 3, “Parts listing, Type 8850,” on page 53 to determine which components are customer replaceable units (CRU) and which components are field replaceable units (FRU).
- If an action step is preceded by “(Trained service technician only),” that step must be performed only by a trained service technician.

Beep code	Description	Action
2-2-2	Keyboard controller failed.	<ol style="list-style-type: none"> <li>1. Reseat the keyboard.</li> <li>2. Check the management module functionality (refer to the documentation for your BladeCenter Unit type).</li> <li>3. Replace the following components one at a time, in the order shown, restarting the server each time.               <ol style="list-style-type: none"> <li>a. Keyboard</li> <li>b. (Trained service technician only) System board assembly</li> </ol> </li> </ol>
2-2-3	CMOS power failure and checksum checks failed.	<ol style="list-style-type: none"> <li>1. Reseat the battery.</li> <li>2. Replace the following components one at a time, in the order shown, restarting the server each time.               <ol style="list-style-type: none"> <li>a. Battery</li> <li>b. (Trained service technician only) System board assembly</li> </ol> </li> </ol>
2-2-4	CMOS configuration information validation failed.	<ol style="list-style-type: none"> <li>1. Reseat the battery.</li> <li>2. Replace the following components one at a time, in the order shown, restarting the server each time.               <ol style="list-style-type: none"> <li>a. Battery</li> <li>b. (Trained service technician only) System board assembly</li> </ol> </li> </ol>
2-3-1	Screen initialization failed.	(Trained service technician only) Replace the system board assembly.
2-3-2	Screen memory failed.	(Trained service technician only) Replace the system board assembly.
2-3-3	Screen retrace failed.	(Trained service technician only) Replace the system board assembly.
2-3-4	Search for video ROM failed.	(Trained service technician only) Replace the system board assembly.
2-4-1	Video failed; screen believed operable.	(Trained service technician only) Replace the system board assembly.
2-4-4	Unsupported memory configuration.	<ol style="list-style-type: none"> <li>1. Correct based on the actions for 289 POST Error Code if displayed (see “POST error codes” on page 19 for more information on the 289 error).</li> <li>2. Check the DIMM error LEDs.</li> <li>3. Check the Management Module for DIMM errors (refer to the documentation for your BladeCenter Unit type).</li> </ol>

- Follow the suggested actions in the order in which they are listed in the Action column until the problem is solved.
- See Chapter 3, “Parts listing, Type 8850,” on page 53 to determine which components are customer replaceable units (CRU) and which components are field replaceable units (FRU).
- If an action step is preceded by “(Trained service technician only),” that step must be performed only by a trained service technician.

Beep code	Description	Action
3-1-1	Timer tick interrupt failed.	(Trained service technician only) Replace the system board assembly.
3-1-2	Interval timer channel 2 failed.	(Trained service technician only) Replace the system board assembly.
3-1-3	RAM test failed above address 0FFFFh.	<ol style="list-style-type: none"> <li>1. Reseat the DIMMs.</li> <li>2. Replace the following components one at a time, in the order shown, restarting the server each time. <ol style="list-style-type: none"> <li>a. DIMMs</li> <li>b. (Trained service technician only) System board assembly</li> </ol> </li> </ol>
3-1-4	Time-of-day clock failed.	<ol style="list-style-type: none"> <li>1. Reseat the battery.</li> <li>2. Replace the following components one at a time, in the order shown, restarting the server each time. <ol style="list-style-type: none"> <li>a. Battery</li> <li>b. (Trained service technician only) System board assembly</li> </ol> </li> </ol>
3-2-1	Serial port failed.	(Trained service technician only) Replace the system board assembly.
3-2-3	Math coprocessor test failed	<ol style="list-style-type: none"> <li>1. (Trained service technician only) Reseat the microprocessor.</li> <li>2. Replace the following components one at a time, in the order shown, restarting the server each time. <ol style="list-style-type: none"> <li>a. (Trained service technician only) Microprocessor</li> <li>b. (Trained service technician only) System board assembly</li> </ol> </li> </ol>
3-2-4	Failure comparing CMOS memory size against actual	<ol style="list-style-type: none"> <li>1. Reseat the following components: <ol style="list-style-type: none"> <li>a. DIMMs</li> <li>b. Battery</li> </ol> </li> <li>2. Replace the following components one at a time, in the order shown, restarting the server each time. <ol style="list-style-type: none"> <li>a. DIMMs</li> <li>b. (Trained service technician only) System board assembly</li> <li>c. Battery</li> </ol> </li> </ol>

- Follow the suggested actions in the order in which they are listed in the Action column until the problem is solved.
- See Chapter 3, “Parts listing, Type 8850,” on page 53 to determine which components are customer replaceable units (CRU) and which components are field replaceable units (FRU).
- If an action step is preceded by “(Trained service technician only),” that step must be performed only by a trained service technician.

Beep code	Description	Action
3-3-1	Memory size mismatch occurred.	<ol style="list-style-type: none"> <li>1. Verify that both DIMMs in the bank are of the same size, speed, type and technology.</li> <li>2. Reseat the following components:               <ol style="list-style-type: none"> <li>a. DIMMs</li> <li>b. Battery</li> </ol> </li> <li>3. Replace the following components one at a time, in the order shown, restarting the server each time.               <ol style="list-style-type: none"> <li>a. DIMMs</li> <li>b. (Trained service technician only) System board assembly</li> <li>c. Battery</li> </ol> </li> </ol>
3-3-2	Critical SMBUS error occurred.	<ol style="list-style-type: none"> <li>1. Power down the blade server and reseat it in the BladeCenter unit.</li> <li>2. Reseat the DIMMs.</li> <li>3. Replace the following components one at a time, in the order shown, restarting the server each time.               <ol style="list-style-type: none"> <li>a. DIMMs</li> <li>b. (Trained service technician only) System board assembly</li> </ol> </li> </ol>
3-3-3	No operational memory in system.	<p><b>Important:</b> In some memory configurations, the 3-3-3 beep code might sound during POST followed by a blank display screen. If this occurs and the <b>Boot Fail Count</b> feature in the Start Options of the Configuration/Setup Utility program is set to <b>Enabled</b> (its default setting), you must restart the blade server three times to force the system BIOS to reset the CMOS values to the default configuration (memory connector or bank of connectors enabled).</p> <ol style="list-style-type: none"> <li>1. Install or reseat DIMMS and restart the server.</li> <li>2. Replace the following components one at a time, in the order shown, restarting the server each time.               <ol style="list-style-type: none"> <li>a. DIMMs</li> <li>b. (Trained service technician only) System board assembly</li> </ol> </li> </ol>
Two short beeps	Information only, configuration has changed.	Run the Configuration/Setup Utility program.

- Follow the suggested actions in the order in which they are listed in the Action column until the problem is solved.
- See Chapter 3, “Parts listing, Type 8850,” on page 53 to determine which components are customer replaceable units (CRU) and which components are field replaceable units (FRU).
- If an action step is preceded by “(Trained service technician only),” that step must be performed only by a trained service technician.

Beep code	Description	Action
Three short beeps	Memory error.	<ol style="list-style-type: none"> <li>1. Reseat the DIMMs.</li> <li>2. Replace the following components one at a time, in the order shown, restarting the server each time. <ol style="list-style-type: none"> <li>a. DIMMs</li> <li>b. (Trained service technician only) System board assembly</li> </ol> </li> </ol>
One continuous beep	Microprocessor error.	<ol style="list-style-type: none"> <li>1. Reseat the following components: <ol style="list-style-type: none"> <li>a. (Trained service technician only) Microprocessor 1</li> <li>b. (Trained service technician only) Microprocessor 2</li> </ol> </li> <li>2. Replace the following components one at a time, in the order shown, restarting the server each time. <ol style="list-style-type: none"> <li>a. (Trained service technician only) Microprocessor 1</li> <li>b. (Trained service technician only) Microprocessor 2</li> <li>c. (Trained service technician only) System board assembly</li> </ol> </li> </ol>
Repeating short beeps	Keyboard error.	<ol style="list-style-type: none"> <li>1. Reseat the keyboard.</li> <li>2. Replace the following components one at a time, in the order shown, restarting the server each time. <ol style="list-style-type: none"> <li>a. Keyboard</li> <li>b. (Trained service technician only) System board assembly</li> </ol> </li> </ol>

## No-beep symptoms

The following table describes situations in which no beep code sounds when POST is completed.

- Follow the suggested actions in the order in which they are listed in the Action column until the problem is solved.
- See Chapter 3, “Parts listing, Type 8850,” on page 53 to determine which components are customer replaceable units (CRU) and which components are field replaceable units (FRU).
- If an action step is preceded by “(Trained service technician only),” that step must be performed only by a trained service technician.

No-beep symptom	Description	Action
No beep and the system operates correctly		(Trained service technician only) Replace the system board assembly.
No beep and no video (System error LED is OFF)		See “Solving undetermined problems” on page 50.
No beep and no video (System Attention LED is ON)		See “Light path diagnostics” on page 40.

## Error logs

The BMC log contains all system status messages from the blade server service processor. The management-module event log in your BladeCenter unit contains messages that were generated on each blade server during POST and status messages from the BladeCenter service processor. (See the documentation for the management module in your BladeCenter unit type.)

The following illustration shows an example of a BMC log entry.

```
BMC System Event Log
-----
Get Next Entry
Get Previous Entry
Clear BMC SEL

Entry Number=    00005 / 00011
Record ID=       0005
Record Type=     02
Timestamp=       2005/01/25 16:15:17
Entry Details:   Generator ID= 0020
                  Sensor Type= 04
                  Assertion Event
                  Fan
                  Threshold
                  Lower Non-critical - going high

                  Sensor Number= 40
                  Event Direction/Type= 01

                  Event Data= 52 00 1A
```

### Important:

- A single problem might cause several error messages. When this occurs, work to correct the cause of the first error message. After you correct the cause of the first error message, the other error messages usually will not occur the next time you run the test.
- The management-module event log in your BladeCenter unit lists messages according to the position of the blade server in the blade bays. If a blade server is moved from one bay to another, the management-module event log will report messages for that blade server using the new bay number; messages for that blade server that were generated prior to the move will still be listed using the previous bay number.

The BMC log is limited in size. When the log is full, new entries will not overwrite existing entries; therefore, you must periodically clear the BMC log through the Configuration/Setup Utility program (the menu choices are described in the *Installation and User's Guide*). When you are troubleshooting an error, be sure to clear the BMC log so that you can find current errors more easily.

Entries that are written to the BMC log during the early phase of POST show an incorrect date and time as the default time stamp; however, the date and time are corrected as POST continues.

Each BMC log entry appears on its own page. To display all the data for an entry, use the Up Arrow (↑) and Down Arrow (↓) keys or the Page Up and Page Down keys. To move from one entry to the next, select **Get Next Entry** or **Get Previous Entry**.

The BMC log indicates an assertion event when an event has occurred. It indicates a deassertion event when the event is no longer occurring.

Some of the error codes and messages in the BMC log are abbreviated.

You can view the contents of the BMC log from the Configuration/Setup Utility program and from the diagnostic programs.

When troubleshooting PCI-X slots, note that the error logs report the PCI-X buses numerically. The numerical assignments vary depending on the configuration. You can check the assignments by running the Configuration/Setup Utility program (see the *Installation and User's Guide* for more information).

### **Viewing the BMC log from the Configuration/Setup Utility program**

For complete information about using the Configuration/Setup Utility program, see the *Installation and User's Guide*.

To view the BMC log, complete the following steps:

1. Turn on the server.
2. When the prompt Press F1 for Configuration/Setup appears, press F1. If you have set a power-on password, you must type the password and press Enter to start the Configuration/Setup Utility program.
3. Select **Advanced Settings**, select **Baseboard Management Controller (BMC) settings**, and then select **BMC System Event Log**.

### **Viewing the BMC log from the diagnostic programs**

The BMC log contains the same information whether it is viewed from the Configuration/Setup Utility program or from the diagnostic programs.

For information about using the diagnostic programs, see "Running the diagnostic programs" on page 43.

To view the BMC log, complete the following steps:

1. If the blade server is running, turn off the blade server.
2. Turn on the blade server.
3. When the prompt F2 for Diagnostics appears, press F2.
4. From the top of the screen, select **Hardware Info**.
5. From the list, select **BMC Log**.

For complete information about using the Configuration/Setup Utility program, see the *Installation and User's Guide*.



## POST error codes

The following table describes the POST error codes and suggested actions to correct the detected problems.

Error code	Description	Action
<ul style="list-style-type: none"> <li>• Follow the suggested actions in the order in which they are listed in the Action column until the problem is solved.</li> <li>• See Chapter 3, “Parts listing, Type 8850,” on page 53 to determine which components are customer replaceable units (CRU) and which components are field replaceable units (FRU).</li> <li>• If an action step is preceded by “(Trained service technician only),” that step must be performed only by a trained service technician.</li> </ul>		
161	Real-time clock battery error.	<ol style="list-style-type: none"> <li>1. Run the Configuration/Setup Utility program.</li> <li>2. Reseat the battery.</li> <li>3. Replace the following components one at a time, in the order shown, restarting the server each time.               <ol style="list-style-type: none"> <li>a. Battery</li> <li>b. (Trained service technician only) System board assembly</li> </ol> </li> </ol>
162	Device configuration error.	<ol style="list-style-type: none"> <li>1. Run the Configuration/Setup Utility program, select <b>Load Default Settings</b>, and save the settings.</li> <li>2. Reseat the following components:               <ol style="list-style-type: none"> <li>a. Battery</li> <li>b. Failing device</li> </ol> </li> <li>3. Replace the following components one at a time, in the order shown, restarting the server each time.               <ol style="list-style-type: none"> <li>a. Battery</li> <li>b. Failing device</li> <li>c. (Trained service technician only) System board assembly</li> </ol> </li> </ol>
163	Real-time clock error.	<ol style="list-style-type: none"> <li>1. Run the Configuration/Setup Utility program, select <b>Load Default Settings</b>, make sure that the date and time are correct, and save the settings.</li> <li>2. Reseat the battery.</li> <li>3. Replace the following components one at a time, in the order shown, restarting the server each time.               <ol style="list-style-type: none"> <li>a. Battery</li> <li>b. (Trained service technician only) System board assembly</li> </ol> </li> </ol>
184	Power-on password damaged.	<ol style="list-style-type: none"> <li>1. Run the Configuration/Setup Utility program, select <b>Load Default Settings</b>, and save the settings.</li> <li>2. (Trained service technician only) Replace the system board assembly.</li> </ol>
189	An attempt was made to access the server with invalid passwords.	Restart the server, run the Configuration/Setup Utility program and change the power-on password.

- Follow the suggested actions in the order in which they are listed in the Action column until the problem is solved.
- See Chapter 3, “Parts listing, Type 8850,” on page 53 to determine which components are customer replaceable units (CRU) and which components are field replaceable units (FRU).
- If an action step is preceded by “(Trained service technician only),” that step must be performed only by a trained service technician.

Error code	Description	Action
199	Processor power rating unsupported.	<ol style="list-style-type: none"> <li>1. (Trained service technician only) Make sure that the microprocessor that was just installed has a supported power rating. If the power rating is not supported, replace the microprocessor with one that has a supported power rating.</li> <li>2. Update BIOS code.</li> <li>3. (Trained service technician only) Replace the microprocessor.</li> </ol>
201	Memory test error.	<ol style="list-style-type: none"> <li>1. Update BIOS code and rerun diagnostics.</li> <li>2. Reseat the DIMMs.</li> <li>3. Replace the following components one at a time, in the order shown, restarting the server each time. <ol style="list-style-type: none"> <li>a. DIMMs</li> <li>b. (Trained service technician only) System board assembly</li> </ol> </li> </ol>
229	Cache error.	<ol style="list-style-type: none"> <li>1. Reseat the following components: <ol style="list-style-type: none"> <li>a. (Trained service technician only) Microprocessor 1</li> <li>b. (Trained service technician only) Microprocessor 2</li> </ol> </li> <li>2. Replace the components listed in step 1 one at a time, in the order shown, restarting the server each time.</li> </ol>
289	DIMM disabled by user or system.	<ol style="list-style-type: none"> <li>1. If the DIMM was disabled by the user, run the Configuration/Setup Utility program and enable the DIMM.</li> <li>2. Reseat the disabled DIMM.</li> <li>3. Replace the following components one at a time, in the order shown, restarting the server each time. <ol style="list-style-type: none"> <li>a. Disabled DIMM</li> <li>b. (Trained service technician only) System board assembly</li> </ol> </li> </ol>

- Follow the suggested actions in the order in which they are listed in the Action column until the problem is solved.
- See Chapter 3, “Parts listing, Type 8850,” on page 53 to determine which components are customer replaceable units (CRU) and which components are field replaceable units (FRU).
- If an action step is preceded by “(Trained service technician only),” that step must be performed only by a trained service technician.

Error code	Description	Action
301	Keyboard or keyboard controller error.	<ol style="list-style-type: none"> <li>1. If you have installed a USB keyboard, run the Configuration/Setup Utility program and enable keyboardless operation to prevent the POST error message 301 from being displayed during startup.</li> <li>2. Reseat the keyboard.</li> <li>3. Replace the following components one at a time, in the order shown, restarting the server each time. <ol style="list-style-type: none"> <li>a. Keyboard</li> <li>b. (Trained service technician only) System board assembly</li> </ol> </li> </ol>
303	Keyboard controller error.	(Trained service technician only) Replace the system board assembly.
602	Invalid diskette boot record.	<ol style="list-style-type: none"> <li>1. Remove and reinsert the diskette, and restart the server; or restart the server using another bootable diskette.</li> <li>2. Reseat the following components: <ol style="list-style-type: none"> <li>a. Diskette drive</li> <li>b. Diskette drive cable</li> </ol> </li> <li>3. Replace the following components one at a time, in the order shown, restarting the server each time. <ol style="list-style-type: none"> <li>a. Diskette drive</li> <li>b. Diskette drive cable</li> <li>c. (Trained service technician only) System board assembly</li> </ol> </li> </ol>
604	Diskette drive error.	<ol style="list-style-type: none"> <li>1. Run the Configuration/Setup Utility program.</li> <li>2. Reseat the following components: <ol style="list-style-type: none"> <li>a. Diskette drive</li> <li>b. Diskette drive cable</li> </ol> </li> <li>3. Replace the following components one at a time, in the order shown, restarting the server each time. <ol style="list-style-type: none"> <li>a. Diskette drive</li> <li>b. Diskette drive cable</li> <li>c. (Trained service technician only) System board assembly</li> </ol> </li> </ol>

- Follow the suggested actions in the order in which they are listed in the Action column until the problem is solved.
- See Chapter 3, “Parts listing, Type 8850,” on page 53 to determine which components are customer replaceable units (CRU) and which components are field replaceable units (FRU).
- If an action step is preceded by “(Trained service technician only),” that step must be performed only by a trained service technician.

Error code	Description	Action
662	Diskette drive configuration error.	<ol style="list-style-type: none"> <li>1. Run the Configuration/Setup Utility program.</li> <li>2. Reseat the following components:               <ol style="list-style-type: none"> <li>a. Diskette drive</li> <li>b. Diskette drive cable</li> </ol> </li> <li>3. Replace the following components one at a time, in the order shown, restarting the server each time.               <ol style="list-style-type: none"> <li>a. Diskette drive</li> <li>b. Diskette drive cable</li> <li>c. (Trained service technician only) System board assembly</li> </ol> </li> </ol>
11xx	System board serial port 1 or 2 error.	<ol style="list-style-type: none"> <li>1. Reseat the external cable on the serial port.</li> <li>2. Run the Configuration/Setup Utility program.</li> <li>3. (Trained service technician only) Replace the system board assembly.</li> </ol>
1162	Serial port configuration conflicts.	<ol style="list-style-type: none"> <li>1. Run the Configuration/Setup Utility program ensure that the IRQ and I/O port assignments needed by the serial port are available.</li> <li>2. If all interrupts are being used by adapters, remove an adapter or force other adapters to share an interrupt.</li> </ol>
1200	Processor machine check.	<ol style="list-style-type: none"> <li>1. Reseat the following components:               <ol style="list-style-type: none"> <li>a. (Trained service technician only) Microprocessor 1</li> <li>b. (Trained service technician only) Microprocessor 2</li> </ol> </li> <li>2. Replace the following components one at a time, in the order shown, restarting the server each time.               <ol style="list-style-type: none"> <li>a. (Trained service technician only) Microprocessor 1</li> <li>b. (Trained service technician only) Microprocessor 2</li> <li>c. (Trained service technician only) System board assembly</li> </ol> </li> </ol>
1295	ECC circuit check.	(Trained service technician only) Replace the system board assembly.

- Follow the suggested actions in the order in which they are listed in the Action column until the problem is solved.
- See Chapter 3, “Parts listing, Type 8850,” on page 53 to determine which components are customer replaceable units (CRU) and which components are field replaceable units (FRU).
- If an action step is preceded by “(Trained service technician only),” that step must be performed only by a trained service technician.

Error code	Description	Action
1762	Hard disk configuration error.	<ol style="list-style-type: none"> <li>1. Reseat the hard disk drive.</li> <li>2. Run the Configuration/Setup Utility program and load the defaults.</li> <li>3. Replace the following components one at a time, in the order shown, restarting the server each time. <ol style="list-style-type: none"> <li>a. Hard disk drive</li> <li>b. (Trained service technician only) System board assembly</li> </ol> </li> </ol>
18xx	Unavailable PCI hardware interrupt.	<ol style="list-style-type: none"> <li>1. Run the Configuration/Setup Utility program and adjust the adapter settings.</li> <li>2. Remove each adapter one at a time, restarting the server each time, until the problem is isolated.</li> </ol>
1962	A drive does not contain a valid boot sector.	<ol style="list-style-type: none"> <li>1. Make sure that a bootable operating system is installed.</li> <li>2. Run the Fixed Disk diagnostic test.</li> <li>3. Reseat the hard disk drive.</li> <li>4. Replace the following components one at a time, in the order shown, restarting the server each time. <ol style="list-style-type: none"> <li>a. Hard disk drive</li> <li>b. (Trained service technician only) System board assembly</li> </ol> </li> </ol>
2400	Video controller test failure.	<ol style="list-style-type: none"> <li>1. Verify that the keyboard/mouse/video select button LED on the front of the blade server is on, indicating that the blade server is connected to the shared BladeCenter monitor.</li> <li>2. Verify that the monitor is connected correctly to the BladeCenter unit.</li> <li>3. Reseat the video adapter (if installed).</li> <li>4. Replace the following components one at a time, in the order shown, restarting the server each time. <ol style="list-style-type: none"> <li>a. Video adapter (if installed)</li> <li>b. (Trained service technician only) System board assembly</li> </ol> </li> </ol>
2462	Video memory configuration error.	<ol style="list-style-type: none"> <li>1. Verify that the keyboard/mouse/video select button LED on the front of the blade server is on, indicating that the blade server is connected to the shared BladeCenter monitor.</li> <li>2. Verify that the monitor is connected correctly to the BladeCenter unit.</li> <li>3. (Trained service technician only) Replace the system board assembly.</li> </ol>

- Follow the suggested actions in the order in which they are listed in the Action column until the problem is solved.
- See Chapter 3, “Parts listing, Type 8850,” on page 53 to determine which components are customer replaceable units (CRU) and which components are field replaceable units (FRU).
- If an action step is preceded by “(Trained service technician only),” that step must be performed only by a trained service technician.

Error code	Description	Action
5962	IDE CD or DVD drive configuration error.	<ol style="list-style-type: none"> <li>1. Run the Configuration/Setup Utility program, select <b>Load Default Settings</b>, and save the settings.</li> <li>2. Reseat the following components: <ol style="list-style-type: none"> <li>a. CD or DVD drive power cable</li> <li>b. CD or DVD drive IDE cable</li> <li>c. CD or DVD drive</li> </ol> </li> <li>3. Replace the following components one at a time, in the order shown, restarting the server each time. <ol style="list-style-type: none"> <li>a. CD or DVD drive power cable</li> <li>b. CD or DVD drive IDE cable</li> <li>c. CD or DVD drive</li> <li>d. (Trained service technician only) System board assembly</li> <li>e. Battery</li> </ol> </li> </ol>
8603	Pointing-device error.	<ol style="list-style-type: none"> <li>1. Reseat the pointing device.</li> <li>2. Replace the following components one at a time, in the order shown, restarting the server each time. <ol style="list-style-type: none"> <li>a. Pointing device</li> <li>b. (Trained service technician only) System board assembly</li> </ol> </li> </ol>
00019xxx	Processor x is not functioning or failed built in self test.	<ol style="list-style-type: none"> <li>1. (Trained service technician only) Reseat microprocessor x.</li> <li>2. Replace the following components one at a time, in the order shown, restarting the server each time. <ol style="list-style-type: none"> <li>a. (Trained service technician only) Microprocessor x</li> <li>b. (Trained service technician only) System board assembly</li> </ol> </li> </ol>
00180xxx	A PCI adapter requested a resource that is not available.	<ol style="list-style-type: none"> <li>1. Run the Configuration/Setup Utility program to verify that the interrupt resource settings are correct.</li> <li>2. Reseat the failing adapter (if installed).</li> <li>3. Replace the following components one at a time, in the order shown, restarting the server each time. <ol style="list-style-type: none"> <li>a. Failing adapter</li> <li>b. (Trained service technician only) System board assembly</li> </ol> </li> </ol>

- Follow the suggested actions in the order in which they are listed in the Action column until the problem is solved.
- See Chapter 3, “Parts listing, Type 8850,” on page 53 to determine which components are customer replaceable units (CRU) and which components are field replaceable units (FRU).
- If an action step is preceded by “(Trained service technician only),” that step must be performed only by a trained service technician.

Error code	Description	Action
01295085	ECC-checking hardware test error.	<ol style="list-style-type: none"> <li>1. (Trained service technician only) Reseat the microprocessor.</li> <li>2. Replace the following components one at a time, in the order shown, restarting the server each time.               <ol style="list-style-type: none"> <li>a. (Trained service technician only) System board assembly</li> <li>b. (Trained service technician only) Microprocessor</li> </ol> </li> </ol>
012980xx	Patch code missing.	<ol style="list-style-type: none"> <li>1. Flash the BIOS code.</li> <li>2. (Trained service technician only) Reseat microprocessor x.</li> <li>3. (Trained service technician only) Replace microprocessor x.</li> </ol>
012981xx	Processor patch (microcode) update failed.	<ol style="list-style-type: none"> <li>1. Flash the BIOS code.</li> <li>2. (Trained service technician only) Reseat microprocessor x.</li> <li>3. (Trained service technician only) Replace microprocessor x.</li> </ol>
01298200	Processor speed mismatch.	Make sure that microprocessors 1 and 2 have the same number of cores, cache size and type, clock speed, internal and external clock frequencies (see “Configuration/Setup Utility menu choices” on page 87).
19990301	Hard disk sector error.	<ol style="list-style-type: none"> <li>1. Reseat the hard disk drive.</li> <li>2. Replace the following components one at a time, in the order shown, restarting the server each time.               <ol style="list-style-type: none"> <li>a. Hard disk drive</li> <li>b. (Trained service technician only) System board assembly</li> </ol> </li> </ol>
19990305	An operating system was not found.	<ol style="list-style-type: none"> <li>1. Make sure that a bootable operating system is installed.</li> <li>2. Run the Fixed Disk diagnostic test.</li> <li>3. Reseat the hard disk drive.</li> <li>4. Replace the following components one at a time, in the order shown, restarting the server each time.               <ol style="list-style-type: none"> <li>a. Hard disk drive</li> <li>b. (Trained service technician only) System board assembly</li> </ol> </li> </ol>

---

## Checkout procedure

The checkout procedure is the sequence of tasks that you should follow to diagnose a problem in the blade server.

### About the checkout procedure

Before performing the checkout procedure for diagnosing hardware problems, review the following information:

- Read the safety information that begins on page v.
- The diagnostic programs provide the primary methods of testing the major components of the blade server. If you are not sure whether a problem is caused by the hardware or by the software, you can use the diagnostic programs to confirm that the hardware is working correctly.
- When you run the diagnostic programs, a single problem might cause more than one error message. When this happens, correct the cause of the first error message. The other error messages usually will not occur the next time you run the diagnostic programs.

**Exception:** If there are multiple error codes or light path diagnostics LEDs that indicate a microprocessor error, the error might be in a microprocessor or in a microprocessor socket. See “Microprocessor problems” on page 32 for information about diagnosing microprocessor problems.

- If the server is halted and a POST error code is displayed, see “Error logs” on page 17. If the server is halted and no error message is displayed, see “Troubleshooting tables” on page 27 and “Solving undetermined problems” on page 50.
- For intermittent problems, check the error log; see “Error logs” on page 17 and “Diagnostic programs, messages, and error codes” on page 43.
- If the blade server front panel shows no LEDs, verify the blade server status and errors in the BladeCenter Web interface; also see “Solving undetermined problems” on page 50.
- If device errors occur, see “Troubleshooting tables” on page 27.



## Performing the checkout procedure

To perform the checkout procedure, complete the following steps:

1. If the blade server is running, turn off the blade server.
2. Turn on the blade server. Make sure that the server has control of the video (the keyboard/video/mouse button is lit). If the server does not start, see “Troubleshooting tables.”
3. Record any POST beep codes that are heard or POST error messages that are displayed on the monitor. If an error is displayed, look up the first error in the “POST error codes” on page 19.
4. Check the control panel blade-error LED; if it is lit, check the light path diagnostics LEDs (see “Light path diagnostics” on page 40).
5. Check for the following results:
  - Successful completion of POST, indicated by a single beep
  - Successful completion of startup, indicated by a readable display of the operating-system desktop
6. Did a single beep sound and are there readable instructions on the main menu?
  - **No:** Find the failure symptom in “Troubleshooting tables”; if necessary, see “Solving undetermined problems” on page 50.
  - **Yes:** Run the diagnostic programs (see “Running the diagnostic programs” on page 43).
    - If you receive an error, see “Diagnostic error codes” on page 45.
    - If the diagnostic programs were completed successfully and you still suspect a problem, see “Solving undetermined problems” on page 50.

---

## Troubleshooting tables

Use the troubleshooting tables to find solutions to problems that have identifiable symptoms.

If you cannot find the problem in these tables, see “Running the diagnostic programs” on page 43 for information about testing the server.

If you have just added new software or a new optional device and the server is not working, complete the following steps before using the troubleshooting tables:

1. Remove the software or device that you just added.
2. Run the diagnostic tests to determine whether the server is running correctly.
3. Reinstall the new software or new device.

## CD or DVD drive problems

<ul style="list-style-type: none"> <li>• Follow the suggested actions in the order in which they are listed in the Action column until the problem is solved.</li> <li>• See Chapter 3, “Parts listing, Type 8850,” on page 53 to determine which components are customer replaceable units (CRU) and which components are field replaceable units (FRU).</li> <li>• If an action step is preceded by “(Trained service technician only),” that step must be performed only by a trained service technician.</li> </ul>	
Symptom	Action
The CD or DVD drive is not recognized.	<ol style="list-style-type: none"> <li>1. Make sure that: <ul style="list-style-type: none"> <li>• All cables and jumpers are installed correctly.</li> <li>• The correct device driver is installed for the CD or DVD drive.</li> </ul> </li> <li>2. Reseat the CD or DVD drive.</li> <li>3. Replace the CD or DVD drive.</li> </ol>
A CD or DVD is not working correctly.	<ol style="list-style-type: none"> <li>1. Clean the CD or DVD.</li> <li>2. Reseat the CD or DVD drive.</li> <li>3. Replace the CD or DVD drive.</li> </ol>
The CD or DVD drive tray is not working.	<p><b>Note:</b> The blade server must have ownership of the CD or DVD drive.</p> <ol style="list-style-type: none"> <li>1. Insert the end of a straightened paper clip into the manual tray-release opening.</li> <li>2. Reseat the CD or DVD drive.</li> <li>3. Replace the CD or DVD drive.</li> </ol>
The CD or DVD drive is detected as /dev/sr0 by SUSE LINUX. (If the SUSE LINUX operating system is installed remotely onto a blade server that is not the current owner of the media tray [CD or DVD drive, diskette drive, and USB port], SUSE LINUX detects the CD or DVD drive as /dev/sr0 instead of /dev/cdrom.)	<p>Establish a link between /dev/sr0 and /dev/cdrom as follows:</p> <ol style="list-style-type: none"> <li>1. Enter the following command: <pre>rm /dev/cdrom; ln -s /dev/sr0 /dev/cdrom</pre> </li> <li>2. Insert the following line in the /etc/fstab file: <pre>/dev/cdrom /media/cdrom auto ro,noauto,user,exec 0 0</pre> </li> </ol>
The CD or DVD drive is not recognized after being switched back to the blade server running Windows 2000 Advanced Server with SP3 applied. (When the CD or DVD drive owned by blade server x is switched to another blade server, then is switched back to blade server x, the operating system in blade server x no longer recognizes the CD or DVD drive. This happens when you have not safely stopped the drives before switching ownership of the media tray [CD or DVD drive, diskette drive, and USB port].)	<p><b>Note:</b> Because the BladeCenter unit uses a USB bus to communicate with the media tray devices, switching ownership of the media tray to another blade server is the same as unplugging a USB device. Before switching ownership of the CD or DVD drive (media tray) to another blade server, safely stop the media tray devices on the blade server that currently owns the media tray, as follows:</p> <ol style="list-style-type: none"> <li>1. Double-click the <b>Unplug/Eject Hardware</b> icon in the Windows taskbar at the bottom right of the screen.</li> <li>2. Select <b>USB Floppy</b> and click <b>Stop</b>.</li> <li>3. Select <b>USB Mass Storage Device</b> and click <b>Stop</b>.</li> <li>4. Click <b>Close</b>.</li> </ol> <p>You can now safely switch ownership of the media tray to another blade server.</p>

## Diskette drive problems

<ul style="list-style-type: none"> <li>• Follow the suggested actions in the order in which they are listed in the Action column until the problem is solved.</li> <li>• See Chapter 3, “Parts listing, Type 8850,” on page 53 to determine which components are customer replaceable units (CRU) and which components are field replaceable units (FRU).</li> <li>• If an action step is preceded by “(Trained service technician only),” that step must be performed only by a trained service technician.</li> </ul>	
Symptom	Action
Diskette drive activity LED stays on, or the system bypasses the diskette drive.	<ol style="list-style-type: none"> <li>1. If there is a diskette in the drive, verify that: <ul style="list-style-type: none"> <li>• The diskette is inserted correctly in the drive.</li> <li>• The diskette is good and not damaged. (Try another diskette if you have one.) The drive light comes on (one-second flash) when the diskette is inserted.</li> <li>• The diskette contains the necessary files to start the computer.</li> <li>• The diskette drive is enabled in the Configuration/Setup utility program.</li> <li>• The software program is working properly.</li> <li>• The cable is installed correctly (in the proper orientation).</li> </ul> </li> <li>2. To prevent diskette drive read/write errors, be sure the distance between monitors and diskette drives is at least 76 mm (3 in.).</li> <li>3. Reseat the following components: <ol style="list-style-type: none"> <li>a. Diskette drive cable.</li> <li>b. Diskette drive</li> <li>c. Media tray card</li> </ol> </li> <li>4. Replace the components listed in step 3 one at a time, in the order shown, restarting the blade server each time.</li> </ol>

## General problems

<ul style="list-style-type: none"> <li>• Follow the suggested actions in the order in which they are listed in the Action column until the problem is solved.</li> <li>• See Chapter 3, “Parts listing, Type 8850,” on page 53 to determine which components are customer replaceable units (CRU) and which components are field replaceable units (FRU).</li> <li>• If an action step is preceded by “(Trained service technician only),” that step must be performed only by a trained service technician.</li> </ul>	
Symptom	Action
A cover lock is broken, an LED is not working, or a similar problem has occurred.	If the part is a CRU, replace it. If the part is a FRU, the part must be replaced by a trained service technician.

## Hard disk drive problems

<ul style="list-style-type: none"> <li>• Follow the suggested actions in the order in which they are listed in the Action column until the problem is solved.</li> <li>• See Chapter 3, “Parts listing, Type 8850,” on page 53 to determine which components are customer replaceable units (CRU) and which components are field replaceable units (FRU).</li> <li>• If an action step is preceded by “(Trained service technician only),” that step must be performed only by a trained service technician.</li> </ul>	
Symptom	Action
Not all drives are recognized by the Fixed Disk diagnostic test.	Remove the drive indicated on the diagnostic test; then, run the Fixed Disk diagnostic test again. If the remaining drives are recognized, replace the drive that you removed with a new one.
The server stops responding during the Fixed Disk diagnostic test.	Remove the hard disk drive that was being tested when the server stopped responding, and run the diagnostic test again. If the Fixed Disk diagnostic test runs successfully, replace the drive that you removed with a new one.
A hard disk drive passes the Fixed Disk diagnostics test but the problem remains.	Run the SCSI Fixed Disk diagnostic test. <b>Note:</b> This test is not available on servers that have RAID arrays or servers that have IDE or SATA disk drives.

## Intermittent problems

<ul style="list-style-type: none"> <li>• Follow the suggested actions in the order in which they are listed in the Action column until the problem is solved.</li> <li>• See Chapter 3, “Parts listing, Type 8850,” on page 53 to determine which components are customer replaceable units (CRU) and which components are field replaceable units (FRU).</li> <li>• If an action step is preceded by “(Trained service technician only),” that step must be performed only by a trained service technician.</li> </ul>	
Symptom	Action
A problem occurs only occasionally and is difficult to diagnose.	<ol style="list-style-type: none"> <li>1. Make sure that: <ul style="list-style-type: none"> <li>• When the blade server is turned on, air is flowing from the rear of the blade server at the blower grill. If there is no airflow, the blower is not working. This causes the blade server to overheat and shut down.</li> <li>• Ensure that the SCSI bus and devices are configured correctly.</li> </ul> </li> <li>2. Check the BMC log (see “Error logs” on page 17).</li> </ol>

## Keyboard, mouse, or pointing-device problems

<ul style="list-style-type: none"> <li>• Follow the suggested actions in the order in which they are listed in the Action column until the problem is solved.</li> <li>• See Chapter 3, “Parts listing, Type 8850,” on page 53 to determine which components are customer replaceable units (CRU) and which components are field replaceable units (FRU).</li> <li>• If an action step is preceded by “(Trained service technician only),” that step must be performed only by a trained service technician.</li> </ul>	
Symptom	Action
All or some keys on the keyboard do not work.	<ol style="list-style-type: none"> <li>1. Make sure that: <ul style="list-style-type: none"> <li>• The keyboard cable is securely connected to the BladeCenter management module, and the keyboard and mouse cables are not reversed.</li> <li>• Both the blade server and the monitor are turned on.</li> </ul> </li> <li>2. Replace the keyboard.</li> <li>3. Replace the management module on the BladeCenter unit; see the <i>Hardware Maintenance Manual and Troubleshooting Guide</i> or <i>Problem Determination and Service Guide</i> for your BladeCenter unit type.</li> </ol>
The mouse or pointing device does not work.	<ol style="list-style-type: none"> <li>1. Make sure that: <ul style="list-style-type: none"> <li>• The keyboard/mouse/video select button LED on the front of the blade server is lit, indicating that the blade server is connected to the shared BladeCenter monitor.</li> <li>• The mouse or pointing-device cable is securely connected to the BladeCenter management module, and that the keyboard and mouse cables are not reversed.</li> <li>• The mouse works correctly with other blade servers.</li> <li>• The mouse device drivers are installed correctly.</li> <li>• Both the blade server and the monitor are turned on.</li> <li>• The mouse is recognized as a USB device, not PS/2, by the blade server. Although the mouse is a PS/2-style device, communication with the mouse is through an internal USB bus in the BladeCenter unit. Some operating systems permit you to select the type of mouse during installation of the operating system. Select USB.</li> </ul> </li> <li>2. Replace the mouse or pointing device.</li> <li>3. Replace the management module on the BladeCenter unit; see the <i>Hardware Maintenance Manual and Troubleshooting Guide</i> or <i>Problem Determination and Service Guide</i> for your BladeCenter unit type.</li> </ol>
Mouse function lost during Red Hat installation.	<p>If, while installing Red Hat Enterprise Linux 2.1 to a blade server, you or someone else selects a different blade server as owner of the keyboard, video, and monitor (KVM), you might lose mouse function for the installation process.</p> <p>Do not switch KVM owners until the installation process begins to install the packages (after the “About to Install” window).</p>

## Memory problems

<ul style="list-style-type: none"> <li>• Follow the suggested actions in the order in which they are listed in the Action column until the problem is solved.</li> <li>• See Chapter 3, “Parts listing, Type 8850,” on page 53 to determine which components are customer replaceable units (CRU) and which components are field replaceable units (FRU).</li> <li>• If an action step is preceded by “(Trained service technician only),” that step must be performed only by a trained service technician.</li> </ul>	
Symptom	Action
The amount of system memory displayed is less than the amount of physical memory installed.	<ol style="list-style-type: none"> <li>1. Make sure that: <ul style="list-style-type: none"> <li>• The memory modules are seated properly.</li> <li>• You have installed the correct type of memory.</li> <li>• If you changed the memory, you updated the memory configuration with the Configuration/Setup Utility program.</li> <li>• All banks of memory on the DIMMs are enabled. The blade server might have automatically disabled a DIMM bank when it detected a problem or a DIMM bank could have been manually disabled.</li> </ul> </li> <li>2. Check BMC log for error message 289: <ul style="list-style-type: none"> <li>• If the DIMM was disabled by a system-management interrupt (SMI), replace the DIMM.</li> <li>• If the DIMM was disabled by the user or by POST: <ol style="list-style-type: none"> <li>a. Start the Configuration/Setup Utility program.</li> <li>b. Enable the DIMM.</li> <li>c. Save the configuration and restart the computer.</li> </ol> </li> </ul> </li> <li>3. Reseat the DIMM.</li> <li>4. Replace the DIMM.</li> <li>5. (Trained service technician only) Replace the system board assembly.</li> </ol>

## Microprocessor problems

<ul style="list-style-type: none"> <li>• Follow the suggested actions in the order in which they are listed in the Action column until the problem is solved.</li> <li>• See Chapter 3, “Parts listing, Type 8850,” on page 53 to determine which components are customer replaceable units (CRU) and which components are field replaceable units (FRU).</li> <li>• If an action step is preceded by “(Trained service technician only),” that step must be performed only by a trained service technician.</li> </ul>	
Symptom	Action
The server emits a continuous beep during POST, indicating that the startup (boot) microprocessor is not working correctly.	<ol style="list-style-type: none"> <li>1. (Trained service technician only) Reseat microprocessor 1.</li> <li>2. (Trained service technician only) Replace microprocessor 1.</li> </ol>

## Monitor or video problems

Some IBM monitors have their own self-tests. If you suspect a problem with your monitor, see the documentation that comes with the monitor for instructions for testing and adjusting the monitor. If you cannot diagnose the problem, call for service.

<ul style="list-style-type: none"> <li>• Follow the suggested actions in the order in which they are listed in the Action column until the problem is solved.</li> <li>• See Chapter 3, “Parts listing, Type 8850,” on page 53 to determine which components are customer replaceable units (CRU) and which components are field replaceable units (FRU).</li> <li>• If an action step is preceded by “(Trained service technician only),” that step must be performed only by a trained service technician.</li> </ul>	
Symptom	Action
The screen is blank.	<ol style="list-style-type: none"> <li>1. Make sure that: <ul style="list-style-type: none"> <li>• The keyboard/mouse/video select button LED on the front of the blade server is lit, indicating that the blade server is connected to the shared BladeCenter monitor.</li> <li>• The system power cord is plugged into the BladeCenter power module and a working electrical outlet.</li> <li>• The monitor cables are connected properly.</li> <li>• The monitor is turned on and the Brightness and Contrast controls are adjusted correctly.</li> <li>• Damaged BIOS code is not affecting the video; see “Recovering from a BIOS update failure” on page 49.</li> </ul> <p><b>Important:</b> In some memory configurations, the 3-3-3 beep code might sound during POST followed by a blank display screen. If this occurs and the <b>Boot Fail Count</b> feature in the Start Options of the Configuration/Setup Utility program is set to <b>Enabled</b> (its default setting), you must restart the blade server three times to force the system BIOS to reset the CMOS values to the default configuration (memory connector or bank of connectors enabled).</p> </li> <li>2. If you have verified these items and the screen remains blank, replace: <ol style="list-style-type: none"> <li>a. Monitor</li> <li>b. Management module on the BladeCenter unit (see the <i>Hardware Maintenance Manual and Troubleshooting Guide</i> or <i>Problem Determination and Service Guide</i> for your BladeCenter unit type).</li> </ol> </li> </ol>
Only the cursor appears.	Make sure that the keyboard, video and mouse on the BladeCenter have not been switched to another blade server. If the problem remains, see “Solving undetermined problems” on page 50.
The monitor goes blank when you direct it to a working blade server, or goes blank when you start some application programs in the blade servers.	<p>Make sure that the monitor cable is connected to the video port on the BladeCenter management module. Some IBM monitors have their own self-tests. If you suspect a problem with the monitor, see the information that comes with the monitor for adjusting and testing instructions.</p> <p>If you still cannot find the problem, try using the monitor with another blade server. If the problem remains, see the <i>Hardware Maintenance Manual and Troubleshooting Guide</i> or <i>Problem Determination and Service Guide</i> for your BladeCenter unit type.</p>

<ul style="list-style-type: none"> <li>• Follow the suggested actions in the order in which they are listed in the Action column until the problem is solved.</li> <li>• See Chapter 3, “Parts listing, Type 8850,” on page 53 to determine which components are customer replaceable units (CRU) and which components are field replaceable units (FRU).</li> <li>• If an action step is preceded by “(Trained service technician only),” that step must be performed only by a trained service technician.</li> </ul>	
Symptom	Action
The screen is wavy, unreadable, rolling, distorted, or has screen jitter.	<ol style="list-style-type: none"> <li>1. If the monitor self-tests show the monitor is working properly, consider the location of the monitor. Magnetic fields around other devices (such as transformers, appliances, fluorescent lights, and other monitors) can cause screen jitter or wavy, unreadable, rolling, or distorted screen images. If this happens, turn off the monitor. (Moving a color monitor while it is turned on might cause screen discoloration.) Then move the device and the monitor at least 305 mm (12 in.) apart. Turn on the monitor.</li> </ol> <p><b>Notes:</b></p> <ol style="list-style-type: none"> <li>a. To prevent diskette drive read/write errors, be sure the distance between monitors and diskette drives is at least 76 mm (3 in.).</li> <li>b. Non-IBM monitor cables might cause unpredictable problems.</li> </ol> <ol style="list-style-type: none"> <li>2. Replace the monitor.</li> <li>3. (Trained service technician only) Replace the system board assembly.</li> </ol>
Wrong characters appear on the screen.	<ol style="list-style-type: none"> <li>1. If the wrong language is displayed, update the firmware or operating system with the correct language in the blade server that has ownership of the monitor.</li> <li>2. Replace the monitor.</li> <li>3. (Trained service technician only) Replace the system board assembly.</li> </ol>
No video.	<ol style="list-style-type: none"> <li>1. Make sure that the correct blade server is selected, if applicable.</li> <li>2. Make sure that all cables are fastened securely.</li> </ol>

## Network connection problems

<ul style="list-style-type: none"> <li>• Follow the suggested actions in the order in which they are listed in the Action column until the problem is solved.</li> <li>• See Chapter 3, “Parts listing, Type 8850,” on page 53 to determine which components are customer replaceable units (CRU) and which components are field replaceable units (FRU).</li> <li>• If an action step is preceded by “(Trained service technician only),” that step must be performed only by a trained service technician.</li> </ul>	
Symptom	Action
One or more blade servers are unable to communicate with the network.	<p>Make sure that:</p> <ul style="list-style-type: none"> <li>• The switch modules for the network interface being used are installed in the correct BladeCenter bays and are configured and operating correctly. See the <i>Hardware Maintenance Manual and Troubleshooting Guide</i> or <i>Problem Determination and Service Guide</i> for your BladeCenter unit type for details.</li> <li>• The settings in the switch module are appropriate for the blade server (settings in the switch module are blade-specific).</li> </ul> <p>If the problem remains, see “Solving undetermined problems” on page 50.</p>



## Optional-device problems

<ul style="list-style-type: none"> <li>Follow the suggested actions in the order in which they are listed in the Action column until the problem is solved.</li> <li>See Chapter 3, “Parts listing, Type 8850,” on page 53 to determine which components are customer replaceable units (CRU) and which components are field replaceable units (FRU).</li> <li>If an action step is preceded by “(Trained service technician only),” that step must be performed only by a trained service technician.</li> </ul>	
Symptom	Action
An IBM optional device that was just installed does not work.	<ol style="list-style-type: none"> <li>Make sure that: <ul style="list-style-type: none"> <li>The option is designed for the server (see the ServerProven® list on the World Wide Web at <a href="http://www.ibm.com/us/compat/">http://www.ibm.com/us/compat/</a>).</li> <li>You followed the installation instructions that came with the option.</li> <li>The option is installed correctly.</li> <li>You have not loosened any other installed devices or cables.</li> <li>You updated the configuration information in the Configuration/Setup Utility program. Whenever memory or any other device is changed, you must update the configuration.</li> </ul> </li> <li>If the option comes with its own test instructions, use those instructions to test the option.</li> <li>Reseat the device that you just installed.</li> <li>Replace the device that you just installed.</li> </ol>

## Power error messages

<ul style="list-style-type: none"> <li>Follow the suggested actions in the order in which they are listed in the Action column until the problem is solved.</li> <li>See Chapter 3, “Parts listing, Type 8850,” on page 53 to determine which components are customer replaceable units (CRU) and which components are field replaceable units (FRU).</li> <li>If an action step is preceded by “(Trained service technician only),” that step must be performed only by a trained service technician.</li> </ul>	
Message	Action
System Power Good fault	<ol style="list-style-type: none"> <li>Check the BladeCenter unit power. (See the <i>Hardware Maintenance Manual and Troubleshooting Guide</i> or <i>Problem Determination and Service Guide</i> for your BladeCenter unit type for details.)</li> <li>Reseat the blade server.</li> <li>Replace the blade server.</li> </ol>
VRM Power Good fault	<ol style="list-style-type: none"> <li>Check the BladeCenter unit power. (See the <i>Hardware Maintenance Manual and Troubleshooting Guide</i> or <i>Problem Determination and Service Guide</i> for your BladeCenter unit type for details.)</li> <li>Reseat the blade server.</li> <li>Replace the blade server.</li> </ol>
System over recommended voltage for +12v.	<ol style="list-style-type: none"> <li>Check the BladeCenter unit power. (See the <i>Hardware Maintenance Manual and Troubleshooting Guide</i> or <i>Problem Determination and Service Guide</i> for your BladeCenter unit type for details.)</li> <li>Reseat the blade server.</li> <li>Replace the blade server.</li> </ol>

- Follow the suggested actions in the order in which they are listed in the Action column until the problem is solved.
- See Chapter 3, “Parts listing, Type 8850,” on page 53 to determine which components are customer replaceable units (CRU) and which components are field replaceable units (FRU).
- If an action step is preceded by “(Trained service technician only),” that step must be performed only by a trained service technician.

Message	Action
System over recommended voltage for +1.25v.	<ol style="list-style-type: none"> <li>1. Reseat the blade server.</li> <li>2. Replace the blade server.</li> </ol>
System over recommended voltage for +1.5v.	<ol style="list-style-type: none"> <li>1. Reseat the blade server.</li> <li>2. Replace the blade server.</li> </ol>
System over recommended voltage for +2.5v.	<ol style="list-style-type: none"> <li>1. Reseat the blade server.</li> <li>2. Replace the blade server.</li> </ol>
System over recommended voltage for +3.3v.	<ol style="list-style-type: none"> <li>1. Reseat the blade server.</li> <li>2. Replace the blade server.</li> </ol>
System over recommended 5V fault.	<ol style="list-style-type: none"> <li>1. Reseat the blade server.</li> <li>2. Replace the blade server.</li> </ol>
VRM voltage over recommended tolerance.	<ol style="list-style-type: none"> <li>1. Reseat the blade server.</li> <li>2. Replace the blade server.</li> </ol>
System under recommended voltage for +12v.	<ol style="list-style-type: none"> <li>1. Check the BladeCenter unit power. (See the <i>Hardware Maintenance Manual and Troubleshooting Guide</i> or <i>Problem Determination and Service Guide</i> for your BladeCenter unit type for details.)</li> <li>2. Reseat the blade server.</li> <li>3. Replace the blade server.</li> </ol>
System under recommended voltage for +1.25v.	<ol style="list-style-type: none"> <li>1. Reseat the blade server.</li> <li>2. Replace the blade server.</li> </ol>
System under recommended voltage for +1.5v.	<ol style="list-style-type: none"> <li>1. Reseat the blade server.</li> <li>2. Replace the blade server.</li> </ol>
System under recommended voltage for +2.5v.	<ol style="list-style-type: none"> <li>1. Reseat the blade server.</li> <li>2. Replace the blade server.</li> </ol>
System under recommended voltage for +3.3v.	<ol style="list-style-type: none"> <li>1. Reseat the blade server.</li> <li>2. Replace the blade server.</li> </ol>
System under recommended 5V fault.	<ol style="list-style-type: none"> <li>1. Reseat the blade server.</li> <li>2. Replace the blade server.</li> </ol>

## Power problems

<ul style="list-style-type: none"> <li>• Follow the suggested actions in the order in which they are listed in the Action column until the problem is solved.</li> <li>• See Chapter 3, “Parts listing, Type 8850,” on page 53 to determine which components are customer replaceable units (CRU) and which components are field replaceable units (FRU).</li> <li>• If an action step is preceded by “(Trained service technician only),” that step must be performed only by a trained service technician.</li> </ul>	
Symptom	Action
Power switch does not work and reset button, if supported, does work.	<ol style="list-style-type: none"> <li>1. Reseat the control-panel connector.</li> <li>2. Replace the bezel assembly.</li> <li>3. (Trained service technician only) Replace the system board assembly.</li> </ol>
The blade server does not turn on.	<ol style="list-style-type: none"> <li>1. Make sure that:             <ol style="list-style-type: none"> <li>a. The power LED on the front of the BladeCenter unit is on.</li> <li>b. The LEDs on all the BladeCenter power modules are on.</li> <li>c. If the blade server is in blade bay 7 through 14 (in a BladeCenter unit) or in blade bay 5 through 8 (in a BladeCenter T unit), power modules must be present in all four power-module bays.</li> <li>d. The power-on LED on the blade server control panel is blinking slowly.                 <ul style="list-style-type: none"> <li>• If the power LED is flashing rapidly and continues to do so, the blade server is not communicating with the management module; reseat the blade server and go to step 3</li> <li>• If the power LED is off, the blade bay is not receiving power, the blade server is defective, or the LED information panel is loose or defective.</li> </ul> </li> <li>e. Local power control for the blade server is enabled (use the BladeCenter management module Web interface to verify), or the blade server was instructed through the management module (Web interface or IBM Director) to start.</li> </ol> </li> <li>2. If you just installed a device in the blade server, remove it, and restart the blade server. If the blade server now starts, you might have installed more devices than the power to that blade bay supports.</li> <li>3. Try another blade server in the blade bay; if it works, replace the faulty blade server.</li> <li>4. See “Solving undetermined problems” on page 50.</li> </ol>
<p>The blade server does not start and the following conditions are present:</p> <ul style="list-style-type: none"> <li>• The amber system-error LED on the BladeCenter unit system LED panel is lit.</li> <li>• The amber blade error LED on the blade server control panel is lit.</li> <li>• The management-module event log contains the message Processor speed mismatch.</li> </ul>	<p>Make sure that microprocessors 1 and 2 are identical (number of cores, cache size and type, clock speed, internal and external clock frequencies).</p> <p>(Trained service technician only) If microprocessors are not identical, remove the microprocessor with the incorrect specifications and replace with a microprocessor that has the correct specifications.</p>
The blade server turns off for no apparent reason	<ol style="list-style-type: none"> <li>1. Make sure that each blade bay has a blade server, expansion unit, or filler blade correctly installed. If these components are missing or incorrectly installed, an over-temperature condition might result in shutdown.</li> <li>2. (Trained service technician only) If the microprocessor error LED is lit, replace the microprocessor.</li> </ol>

<ul style="list-style-type: none"> <li>• Follow the suggested actions in the order in which they are listed in the Action column until the problem is solved.</li> <li>• See Chapter 3, “Parts listing, Type 8850,” on page 53 to determine which components are customer replaceable units (CRU) and which components are field replaceable units (FRU).</li> <li>• If an action step is preceded by “(Trained service technician only),” that step must be performed only by a trained service technician.</li> </ul>	
Symptom	Action
The blade server does not turn off.	<ol style="list-style-type: none"> <li>1. Verify whether you are using an ACPI or non-ACPI operating system. If you are using a non-ACPI operating system: <ol style="list-style-type: none"> <li>a. Press Ctrl+Alt+Delete.</li> <li>b. Turn off the system by holding the power-control button for 4 seconds.</li> <li>c. If the blade server fails during POST and the power-control button does not work, remove the blade server from the bay and reseal it.</li> </ol> </li> <li>2. If the problem remains or if you are using an ACPI-aware operating system, suspect the system board.</li> </ol>

## ServerGuide problems

<ul style="list-style-type: none"> <li>• Follow the suggested actions in the order in which they are listed in the Action column until the problem is solved.</li> <li>• See Chapter 3, “Parts listing, Type 8850,” on page 53 to determine which components are customer replaceable units (CRU) and which components are field replaceable units (FRU).</li> <li>• If an action step is preceded by “(Trained service technician only),” that step must be performed only by a trained service technician.</li> </ul>	
Symptom	Action
The <i>ServerGuide Setup and Installation</i> CD will not start.	<ul style="list-style-type: none"> <li>• Make sure that the CD or DVD drive is associated with the blade server that you are configuring.</li> <li>• Make sure that the server supports the ServerGuide program and has a startable (bootable) CD or DVD drive.</li> <li>• If the startup (boot) sequence settings have been changed, make sure that the CD or DVD drive is first in the startup sequence.</li> </ul>
The ServeRAID Manager program cannot view all installed drives, or the operating system cannot be installed.	<ul style="list-style-type: none"> <li>• Make sure that there are no duplicate SCSI IDs or IRQ assignments.</li> <li>• Make sure that the hard disk drive is connected correctly.</li> </ul>
The operating-system installation program continuously loops.	Make more space available on the hard disk.
The ServerGuide program will not start the operating-system CD.	Make sure that the operating-system CD is supported by the ServerGuide program. See the <i>ServerGuide Setup and Installation</i> CD label for a list of supported operating-system versions.
The operating system cannot be installed; the option is not available.	Make sure that the server supports the operating system. If it does, either no logical drive is defined (SCSI RAID systems), or the ServerGuide System Partition is not present. Run the ServerGuide program and make sure that setup is complete.

## Service processor problems

<ul style="list-style-type: none"> <li>Follow the suggested actions in the order in which they are listed in the Action column until the problem is solved.</li> <li>See Chapter 3, “Parts listing, Type 8850,” on page 53 to determine which components are customer replaceable units (CRU) and which components are field replaceable units (FRU).</li> <li>If an action step is preceded by “(Trained service technician only),” that step must be performed only by a trained service technician.</li> </ul>	
Symptom	Action
Service processor in the management module reports a general monitor failure.	Disconnect the BladeCenter unit from all electrical sources, wait for 30 seconds, reconnect the BladeCenter unit to the electrical sources, and restart the server. If the problem remains, see “Solving undetermined problems” on page 50, and the <i>Hardware Maintenance Manual and Troubleshooting Guide</i> or <i>Problem Determination and Service Guide</i> for your BladeCenter unit type.

## Software problems

<ul style="list-style-type: none"> <li>Follow the suggested actions in the order in which they are listed in the Action column until the problem is solved.</li> <li>See Chapter 3, “Parts listing, Type 8850,” on page 53 to determine which components are customer replaceable units (CRU) and which components are field replaceable units (FRU).</li> <li>If an action step is preceded by “(Trained service technician only),” that step must be performed only by a trained service technician.</li> </ul>	
Symptom	Action
You suspect a software problem.	<ol style="list-style-type: none"> <li>To determine whether the problem is caused by the software, make sure that: <ul style="list-style-type: none"> <li>The server has the minimum memory that is needed to use the software. For memory requirements, see the information that comes with the software. <p><b>Note:</b> If you have just installed an adapter or memory, the server might have a memory-address conflict.</p> </li> <li>The software is designed to operate on the server.</li> <li>Other software works on the server.</li> <li>The software works on another server.</li> </ul> </li> <li>If you received any error messages when using the software, see the information that comes with the software for a description of the messages and suggested solutions to the problem.</li> <li>Contact your place of purchase of the software.</li> </ol>

## Universal Serial Bus (USB) port problems

<ul style="list-style-type: none"> <li>Follow the suggested actions in the order in which they are listed in the Action column until the problem is solved.</li> <li>See Chapter 3, “Parts listing, Type 8850,” on page 53 to determine which components are customer replaceable units (CRU) and which components are field replaceable units (FRU).</li> <li>If an action step is preceded by “(Trained service technician only),” that step must be performed only by a trained service technician.</li> </ul>	
Symptom	Action
A USB device does not work.	<p>Make sure that:</p> <ul style="list-style-type: none"> <li>The correct USB device driver is installed.</li> <li>The operating system supports USB devices.</li> </ul>

---

## Light path diagnostics

Light path diagnostics is a system of LEDs on the control panel and on various internal components of the blade server. When an error occurs, LEDs are lit throughout the blade server. By viewing the LEDs in a particular order, you can often identify the source of the error.

Some internal components contain LEDs that can be lit for a short time after you remove the blade server from the BladeCenter unit. After you remove the blade server, you can press and hold the light path diagnostics switch for a maximum of 25 seconds to light the LEDs that were lit before you removed the blade server from the BladeCenter unit. Power remains available to light these LEDs for up to 24 hours after the component is removed from the server. The following components have this feature:

- Microprocessors
- Memory modules (DIMMs)
- Light path diagnostics panel

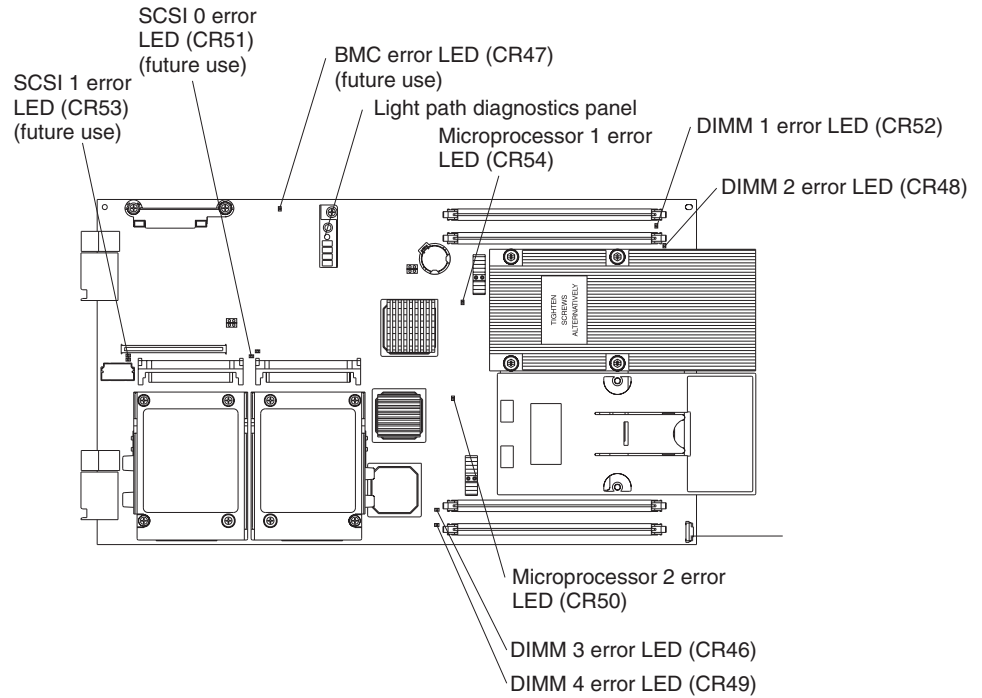
### Viewing the light path diagnostics LEDs

Before working inside the server to view light path diagnostics LEDs, read the safety information that begins on page v and “Handling static-sensitive devices” on page 60.

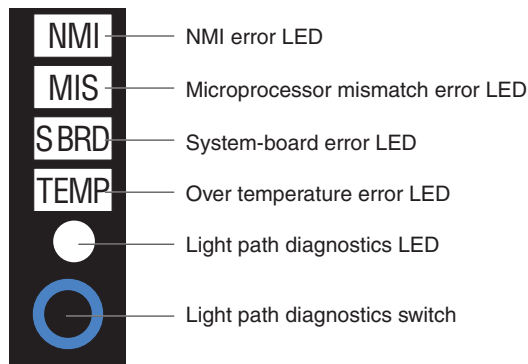
If an error occurs, view the light path diagnostics LEDs in the following order:

1. Look at the control panel on the front of the server (see “Blade server control panel buttons and LEDs” on page 4).
  - If the information LED is lit, it indicates that information about a suboptimal condition in the server is available in the BMC log or in the management-module event log.
  - If the blade-error LED is lit, it indicates that an error has occurred; go to step 2.
2. To view the light path diagnostics panel and LEDs, complete the following steps:
  - a. Remove the blade server from the BladeCenter unit.
  - b. Place the blade server on a flat, static-protective surface.
  - c. Remove the cover from the blade server.
  - d. Press and hold the light path diagnostics switch to relight the LEDs that were lit before you removed the blade server from the BladeCenter unit. The LEDs will remain lit for as long as you press the switch, to a maximum of 25 seconds.

The following illustration shows the locations of the system board error LEDs.



The following illustration shows LEDs on the light path diagnostics panel on the system board.



Note which LEDs are lit on the system board and the light path diagnostics panel. Using this information and the information in “Light path diagnostics LEDs” on page 42 can often provide enough information to diagnose the error.

## Light path diagnostics LEDs

The following table describes the LEDs on the light path diagnostics panel and on the system board, and suggested actions to correct the detected problems.

<ul style="list-style-type: none"> <li>Follow the suggested actions in the order in which they are listed in the Action column until the problem is solved.</li> <li>See Chapter 3, “Parts listing, Type 8850,” on page 53 to determine which components are customer replaceable units (CRU) and which components are field replaceable units (FRU).</li> <li>If an action step is preceded by “(Trained service technician only),” that step must be performed only by a trained service technician.</li> </ul>		
Lit light path diagnostics LED	Description	Action
None	An error has occurred and cannot be isolated, or the service processor has failed.	An error has occurred that is not represented by a light path diagnostics LED. Check the BMC log for more information about the error.
DIMM x error	A memory error occurred.	<ol style="list-style-type: none"> <li>Make sure that the DIMM indicated by the lit LED is supported.</li> <li>Reseat the DIMM indicated by the lit LED.</li> <li>Replace the DIMM indicated by the lit LED.</li> </ol> <p><b>Note:</b> Multiple DIMM LEDs do not necessarily indicate multiple DIMM failures. If more than one DIMM LED is lit, reseat or replace one DIMM at a time until the error goes away. Refer to the <i>Hardware Maintenance Manual and Troubleshooting Guide</i> or <i>Problem Determination and Service Guide</i> for your BladeCenter unit type for further isolation.</p>
Microprocessor x error	The microprocessor has failed.	<ol style="list-style-type: none"> <li>Make sure that the microprocessor indicated by the lit LED is installed correctly. (See “Microprocessor” on page 78 for installation instructions.)</li> <li>(Trained service technician only) Replace the microprocessor indicated by the lit LED.</li> </ol>
MIS (Microprocessor mismatch)	The microprocessors do not match.	Make sure that microprocessors 1 and 2 are identical (number of cores, cache size and type, clock speed, internal and external clock frequencies); also, see “Troubleshooting tables” on page 27.
NMI (NMI error)	The system board has failed.	<ol style="list-style-type: none"> <li>Replace the blade server cover, reinsert the blade server in the BladeCenter unit, and then restart the blade server.</li> <li>Check the BMC log for information about the error.</li> </ol> <p>(Trained service technician only) If the problem remains, replace the system board assembly.</p>
S BRD (System board error)	The system board has failed	<ol style="list-style-type: none"> <li>Replace the blade server cover, reinsert the blade server in the BladeCenter unit, and then restart the server.</li> <li>(Trained service technician only) Replace the system board assembly.</li> </ol>



<ul style="list-style-type: none"> <li>• Follow the suggested actions in the order in which they are listed in the Action column until the problem is solved.</li> <li>• See Chapter 3, “Parts listing, Type 8850,” on page 53 to determine which components are customer replaceable units (CRU) and which components are field replaceable units (FRU).</li> <li>• If an action step is preceded by “(Trained service technician only),” that step must be performed only by a trained service technician.</li> </ul>		
Lit light path diagnostics LED	Description	Action
TEMP (Over temperature error)	The system temperature has exceeded a threshold level.	<ol style="list-style-type: none"> <li>1. Check to see if a blower on the BladeCenter unit has failed. If it has, replace the blower (see the <i>Hardware Maintenance Manual and Troubleshooting Guide</i> or <i>Problem Determination and Service Guide</i> for your BladeCenter unit type for more information).</li> <li>2. Make sure that the room temperature is not too high. (See “LS20 Type 8850 specifications for non-NEBS/ETSI environments” on page 3 for temperature information.)</li> </ol>

## Diagnostic programs, messages, and error codes

The diagnostic programs are the primary method of testing the major components of the server. As you run the diagnostic programs, text messages and error codes are displayed on the screen and are saved in the test log. A diagnostic text message or error code indicates that a problem has been detected; to determine what action you should take as a result of a message or error code, see the table in “Diagnostic error codes” on page 45.

### Running the diagnostic programs

To run the diagnostic programs, complete the following steps:

1. If the blade server is running, turn off the blade server.
2. Turn on the blade server.
3. When the prompt F2 for Diagnostics appears, press F2.
4. From the top of the screen, select either **Extended** or **Basic**.
5. From the pulldown menu, select the test that you want to run, and follow the instructions on the screen.

For help with the diagnostic programs, press F1. You also can press F1 from within a help screen to obtain online documentation from which you can select different categories. To exit from the help information, press Esc.

To determine what action you should take as a result of a diagnostic text message or error code, see the table in “Diagnostic error codes” on page 45.

If the diagnostic programs do not detect any hardware errors but the problem remains during normal server operations, a software error might be the cause. If you suspect a software problem, see the information that comes with your software.

A single problem might cause more than one error message. When this happens, correct the cause of the first error message. The other error messages usually will not occur the next time you run the diagnostic programs.

**Exception:** If there are multiple error codes or light path diagnostics LEDs that indicate a microprocessor error, the error might be in a microprocessor or in a microprocessor socket. See “Microprocessor problems” on page 32 for information about diagnosing microprocessor problems.

If the blade server stops during testing and you cannot continue, restart the blade server and try running the diagnostic programs again. If the problem remains, replace the component that was being tested when the blade server stopped.

The diagnostic programs assume that a keyboard and mouse are attached to the BladeCenter unit and that the blade server controls them. If you run the diagnostic programs with either no mouse or a mouse attached to the BladeCenter unit that is not controlled by the blade server, you cannot use the **Next Cat** and **Prev Cat** buttons to select categories. All other mouse-selectable functions are available through function keys.

To view server configuration information (such as system configuration, memory contents, interrupt request (IRQ) use, direct memory access (DMA) use, device drivers, and so on), select **Hardware Info** from the top of the screen.

## Diagnostic text messages

Diagnostic text messages are displayed while the tests are running. A diagnostic text message contains one of the following results:

**Passed:** The test was completed without any errors.

**Failed:** The test detected an error.

**User Aborted:** You stopped the test before it was completed.

**Not Applicable:** You attempted to test a device that is not present in the server.

**Aborted:** The test could not proceed because of the server configuration.

**Warning:** The test could not be run. There was no failure of the hardware that was being tested, but there might be a hardware failure elsewhere, or another problem prevented the test from running; for example, there might be a configuration problem, or the hardware might be missing or is not being recognized.

The result is followed by an error code or other additional information about the error.

## Viewing the test log

To view the test log when the tests are completed, select **Utility** from the top of the screen and then select **View Test Log**. The test-log data is maintained only while you are running the diagnostic programs. When you exit from the diagnostic programs, the test log is cleared.

To save the test log to a file on a diskette or to the hard disk, select **Save Log** on the diagnostic programs screen and specify a location and name for the saved log file.

**Note:** To save the test log to a diskette, you must use a diskette that you have formatted yourself; this function does not work with preformatted diskettes. If the diskette has sufficient space for the test log, the diskette can contain other data.

## Diagnostic error codes

The following table describes the error codes that the diagnostic programs might generate and suggested actions to correct the detected problems.

If the diagnostic programs generate error codes that are not listed in the table, make sure that the latest level of the BIOS code is installed.

In the error codes, x can be any numeral or letter. However, if the three-digit number in the central position of the code is 000, 195, or 197, *do not* replace a CRU or FRU. These numbers appearing in the central position of the code have the following meanings:

- 000** The blade server passed the test. Do not replace a CRU or FRU.
- 195** The Esc key was pressed to end the test. Do not replace a CRU or FRU.
- 197** This is a warning error, but it does not indicate a hardware failure; do not replace a CRU or FRU. Take the action that is indicated in the Action column, but *do not replace a CRU or a FRU*. See the description for **Warning** in the section “Diagnostic text messages” on page 44 for more information.

- Follow the suggested actions in the order in which they are listed in the Action column until the problem is solved.
- See Chapter 3, “Parts listing, Type 8850,” on page 53 to determine which components are customer replaceable units (CRU) and which components are field replaceable units (FRU).
- If an action step is preceded by “(Trained service technician only),” that step must be performed only by a trained service technician.

Error code	Description	Action
001-197-000 001-198-000	Test aborted.	<ol style="list-style-type: none"><li>1. Check the test log for messages indicating the cause of the error, and take the indicated action.</li><li>2. From the diagnostic programs, run Quick Memory Test All Banks; then, if an error is detected, take the indicated action.</li><li>3. Reinstall and, if necessary, update the BIOS code on the server; then, rerun the test (see “Updating the firmware” on page 85).</li></ol>

- Follow the suggested actions in the order in which they are listed in the Action column until the problem is solved.
- See Chapter 3, “Parts listing, Type 8850,” on page 53 to determine which components are customer replaceable units (CRU) and which components are field replaceable units (FRU).
- If an action step is preceded by “(Trained service technician only),” that step must be performed only by a trained service technician.

Error code	Description	Action
001-250-00n	ECC Test logic Failed. See PCDR logs. n = failing CPU. [1 - 4]	<ol style="list-style-type: none"> <li>1. Restart the server.</li> <li>2. Run the diagnostic test again.</li> <li>3. (Trained service technician only) If problem still exists, replace the failing microprocessor.</li> </ol>
001-292-000	Core system: failed/CMOS checksum failed.	Load the BIOS default settings using the Configuration/Setup Utility program and run the test again (see “Configuration/Setup Utility menu choices” on page 87).
001-xxx-000	Failed core tests.	(Trained service technician only) Replace the system board assembly.
001-xxx-001	Failed core tests.	(Trained service technician only) Replace the system board assembly.
005-xxx-000	Failed video test.	(Trained service technician only) Replace the system board assembly.
030-xxx-000	Failed internal SCSI interface test.	(Trained service technician only) Replace the system board assembly.
035-xxx-099	No adapters were found.	Reseat the adapter (if installed).
075-xxx-000	Failed power supply test.	Replace the power supply (refer to the <i>Hardware Maintenance Manual and Troubleshooting Guide or Problem Determination and Service Guide</i> for your BladeCenter unit type).
089-xxx-001	Failed microprocessor test.	<ol style="list-style-type: none"> <li>1. Reseat microprocessor 1.</li> <li>2. Replace the following components one at a time, in the order shown, restarting the server each time. <ol style="list-style-type: none"> <li>a. (Trained service technician only) Microprocessor 1</li> <li>b. (Trained service technician only) System board assembly</li> </ol> </li> </ol>
089-xxx-002	Failed optional microprocessor test.	<ol style="list-style-type: none"> <li>1. Reseat microprocessor 2.</li> <li>2. Replace the following components one at a time, in the order shown, restarting the server each time. <ol style="list-style-type: none"> <li>a. (Trained service technician only) Microprocessor 2</li> <li>b. (Trained service technician only) System board assembly</li> </ol> </li> </ol>

- Follow the suggested actions in the order in which they are listed in the Action column until the problem is solved.
- See Chapter 3, “Parts listing, Type 8850,” on page 53 to determine which components are customer replaceable units (CRU) and which components are field replaceable units (FRU).
- If an action step is preceded by “(Trained service technician only),” that step must be performed only by a trained service technician.

Error code	Description	Action
166-406-001	BMC indicates failure in I2C bus test.	<ol style="list-style-type: none"> <li>1. Remove the blade server from the BladeCenter unit, wait 30 seconds, reseal it in the BladeCenter unit and run the test again.</li> <li>2. Update the BMC firmware (see “Updating the firmware” on page 85).</li> <li>3. (Trained service technician only) Replace the system board assembly.</li> </ol>
166-407-001	System Management: Failed. BMC indicates failure in I2C bus test.	<ol style="list-style-type: none"> <li>1. Remove the blade server from the BladeCenter unit, wait 30 seconds, reseal it in the BladeCenter unit and run the test again.</li> <li>2. Update the BMC firmware (see “Updating the firmware” on page 85).</li> <li>3. (Trained service technician only) Replace the system board assembly.</li> </ol>
166-nnn-001	System Management: Failed. BMC indicates failure in self test. <b>Note:</b> nnn = 300 to 320.	<ol style="list-style-type: none"> <li>1. Remove the blade server from the BladeCenter unit, wait 30 seconds, reseal it in the BladeCenter unit and run the test again.</li> <li>2. Update the BMC firmware (see “Updating the firmware” on page 85).</li> <li>3. (Trained service technician only) Replace the system board assembly.</li> </ol>
166-nnn-001	System Management: Failed. BMC indicates failure in self test. <b>Note:</b> nnn = 400 to 420, excluding 406 and 407.	<ol style="list-style-type: none"> <li>1. Remove the blade server from the BladeCenter unit, wait 30 seconds, reseal it in the BladeCenter unit and run the test again.</li> <li>2. Update the BMC firmware (see “Updating the firmware” on page 85).</li> <li>3. (Trained service technician only) Replace the system board assembly.</li> </ol>
180-xxx-000	Diagnostics LED failure.	Run the LED test in the diagnostics program.
180-xxx-001	Failed front LED panel test.	<ol style="list-style-type: none"> <li>1. Reseat the control-panel connector.</li> <li>2. Replace the bezel assembly.</li> <li>3. (Trained service technician only) Replace the system board assembly.</li> </ol>
201-198-xxx	Memory test aborted. See PC Doctor logs.	<ol style="list-style-type: none"> <li>1. Restart the server.</li> <li>2. Run the diagnostic test again.</li> <li>3. Reinstall the diagnostic program.</li> <li>4. Refer to the error log for additional information.</li> </ol>
201-199-xxx	Unexpected error. Test aborted. See PC Doctor logs.	<ol style="list-style-type: none"> <li>1. Restart the server.</li> <li>2. Run the diagnostic test again.</li> <li>3. Reinstall the diagnostic program.</li> <li>4. Refer to the error log for additional information.</li> </ol>

- Follow the suggested actions in the order in which they are listed in the Action column until the problem is solved.
- See Chapter 3, “Parts listing, Type 8850,” on page 53 to determine which components are customer replaceable units (CRU) and which components are field replaceable units (FRU).
- If an action step is preceded by “(Trained service technician only),” that step must be performed only by a trained service technician.

Error code	Description	Action
201-xxx-PBD	Test failed. <ul style="list-style-type: none"> <li>• P = CPU Number [1 - 4].</li> <li>• B = Failing Bank/Pair number.</li> <li>• D = Failing dimm number within Failing CPU # P.</li> <li>• D = 9 = Both dimms in the failing bank/pair of dimms.</li> </ul>	<ol style="list-style-type: none"> <li>1. Reseat the failing DIMM, then; run the memory diagnostic test.</li> <li>2. Replace the failing DIMM(s), then; run the memory diagnostic test.</li> <li>3. (Trained service technician only) System board assembly.</li> </ol>
202-xxx-001	Failed system cache test.	<ol style="list-style-type: none"> <li>1. Reseat microprocessor 1.</li> <li>2. Replace the following components one at a time, in the order shown, restarting the server each time. <ol style="list-style-type: none"> <li>a. (Trained service technician only) Microprocessor 1</li> <li>b. (Trained service technician only) System board assembly</li> </ol> </li> </ol>
202-xxx-002	Failed system cache test.	<ol style="list-style-type: none"> <li>1. Reseat microprocessor 2.</li> <li>2. Replace the following components one at a time, in the order shown, restarting the server each time. <ol style="list-style-type: none"> <li>a. (Trained service technician only) Microprocessor 2</li> <li>b. (Trained service technician only) System board assembly</li> </ol> </li> </ol>
217-198-xxx	Could not establish drive parameters.	<ol style="list-style-type: none"> <li>1. Reseat hard disk drive x.</li> <li>2. Flash the BIOS code.</li> <li>3. Replace the following components one at a time, in the order shown, restarting the server each time. <ol style="list-style-type: none"> <li>a. Hard disk drive x</li> <li>b. (Trained service technician only) System board assembly</li> </ol> </li> </ol>
217-xxx-000	Failed hard disk drive test. <b>Note:</b> If RAID is configured, the fixed disk number refers to the RAID logical drive.	<ol style="list-style-type: none"> <li>1. Reseat hard disk drive 1.</li> <li>2. Replace hard disk drive 1.</li> </ol>
217-xxx-001	Failed hard disk drive test. <b>Note:</b> If RAID is configured, the fixed disk number refers to the RAID logical drive.	<ol style="list-style-type: none"> <li>1. Reseat hard disk drive 2.</li> <li>2. Replace hard disk drive 2.</li> </ol>
405-xxx-000	Failed Ethernet test on controller on the system board.	<ol style="list-style-type: none"> <li>1. Make sure that Ethernet is not disabled in the Configuration/Setup Utility program.</li> <li>2. Update the Ethernet firmware (see “Configuring the Gigabit Ethernet controllers” on page 88).</li> <li>3. (Trained service technician only) Replace the system board assembly.</li> </ol>

---

## Recovering from a BIOS update failure

The server has an advanced recovery feature that will automatically switch to a backup BIOS page if the BIOS code in the server has become damaged, such as from a power failure during an update.

The flash memory of the blade server consists of a primary page and a backup page. If the BIOS code in the primary page is damaged, the baseboard management controller will detect the error and automatically switch to the backup page to start the server. If this happens, a POST message *Booted from backup POST/BIOS image* is displayed. The backup page version may not be the same version as the primary image.

You can then recover or restore the original primary page BIOS by using a BIOS flash diskette.

To recover the BIOS code and restore the server operation to the primary page, complete the following steps:

1. Download the latest version of the BIOS code from <http://www.ibm.com/pc/support/>.
2. Update the BIOS code, following the instructions that come with the update file that you downloaded. This will automatically restore and update the primary page.
3. Restart the blade server.

If that procedure fails, the blade server might not restart correctly or might not display video. To manually restore the BIOS code, complete the following steps:

1. Read the safety information that begins on page v and “Handling static-sensitive devices” on page 60.
2. Turn off the blade server.
3. Remove the blade server from the BladeCenter unit (see “Removing and installing the blade server in a BladeCenter unit” on page 61).
4. Remove the cover (see “Operating the blade server cover” on page 64).
5. Locate the BIOS backup page jumper (J16) on the system board (see “System-board jumpers” on page 7).
6. Move the J16 jumper to pins 3 and 4 to enable the backup page.
7. Replace the cover and reinstall the blade server in the BladeCenter unit, making sure that the media tray is selected by the relevant blade server.
8. Insert the BIOS flash diskette into the diskette drive.
9. Restart the blade server. The system begins the power-on self-test (POST).
10. Select **1 - Update POST/BIOS** from the menu that contains various flash (update) options.
11. When you are prompted whether you want to move the current POST/BIOS image to the backup ROM location, press N.  
**Attention:** If you press Y, the damaged BIOS will be copied into the secondary page.
12. When you are prompted whether you want to save the current code to a diskette, press N.
13. Select **Update the BIOS**.  
**Attention:** Do *not* restart the blade server at this time.
14. Remove the flash diskette from the diskette drive.

15. Turn off the blade server, remove it from the BladeCenter unit, and remove the cover of the blade server.
16. Move the J16 jumper to pins 1 and 2 to return to normal startup mode.
17. Replace the cover and reinstall the blade server in the BladeCenter unit; then restart the blade server. The system starts up.

**Statement 21:**



**CAUTION:**

**Hazardous energy is present when the blade server is connected to the power source. Always replace the blade cover before installing the blade server.**

---

## Service processor (BMC) error codes

The baseboard management controller (BMC) log contains up to 512 of the most recent service processor errors in IPMI format. These messages are a combination of plain text and error code numbers. You can view the BMC log from the Configuration/Setup Utility menu by selecting **Advanced Setup > Baseboard Management Controller (BMC) Settings > BMC System Event Log**.

You can view additional information and error codes in plain text by viewing the management-module event log in your BladeCenter unit.

---

## Solving SCSI problems

For any SCSI error message, one or more of the following devices might be causing the problem:

- A failing SCSI device (adapter, drive, or controller)
- An improper SCSI configuration
- Duplicate SCSI IDs in the same SCSI chain

For any SCSI error message, make sure that the SCSI devices are configured correctly.

---

## Solving undetermined problems

**Note:** When you are diagnosing a problem in the LS20 Type 8850, you must determine whether the problem is in the blade server or in the BladeCenter unit.

- If all of the blade servers have the same symptom, it is probably a BladeCenter unit problem; for more information, see the *Hardware Maintenance Manual and Troubleshooting Guide* or *Problem Determination and Service Guide* for your BladeCenter unit type.
- If the BladeCenter unit contains more than one blade server and only one of the blade servers has the problem, troubleshoot the blade server that has the problem.

If the diagnostic tests did not diagnose the failure or if the blade server is inoperative, use the information in this section.



If you suspect that a software problem is causing failures (continuous or intermittent), see “Software problems” on page 39.

Damaged data in CMOS memory or damaged BIOS code can cause undetermined problems. To reset the CMOS data, remove and replace the battery to override the power-on password and clear the CMOS memory; see “Battery” on page 76. If you suspect that the BIOS code is damaged, see “Recovering from a BIOS update failure” on page 49.

Check the LEDs on all the power supplies of the BladeCenter unit where the blade server is installed. If the LEDs indicate that the power supplies are working correctly, and reseating the blade server does not correct the problem, complete the following steps:

1. Make sure that the control panel connector is correctly seated on the system board (see “System-board connectors” on page 7 for the location of the connector).
2. If no LEDs on the control panel are working, replace the bezel assembly; then, try to power-on the blade server from the BladeCenter Web interface (see the BladeCenter documentation for more information).
3. Turn off the blade server.
4. Remove the blade server from the BladeCenter unit and remove the cover.
5. Make sure that the server is cabled correctly.
6. Remove or disconnect the following devices, one at a time, until you find the failure. Reinstall, turn on, and reconfigure the blade server each time.
  - I/O adapter.
  - Drives.
  - Memory modules. The minimum configuration requirement is 1 GB (two 512 MB DIMMs).

The following minimum configuration is required for the blade server to start:

- System board
  - One microprocessor
  - Two 512 MB DIMMs
  - A functioning BladeCenter unit
7. Install and turn on the blade server. If the problem remains, suspect the following components in the following order:
    - a. DIMM
    - b. System board
    - c. Microprocessor

If the problem is solved when you remove an I/O adapter from the server but the problem recurs when you reinstall the same adapter, suspect the adapter; if the problem recurs when you replace the adapter with a different one, suspect the system board.

If you suspect a networking problem and the blade server passes all the system tests, suspect a network cabling problem that is external to the system.

---

## Calling IBM for service

See Appendix A, “Getting help and technical assistance,” on page 91 for information about calling IBM for service.

When you call for service, have as much of the following information available as possible:

- Machine type and model

- Microprocessor and hard disk drive upgrades
- Failure symptoms
  - Does the server fail the diagnostic programs? If so, what are the error codes?
  - What occurs? When? Where?
  - Is the failure repeatable?
  - Has the current server configuration ever worked?
  - What changes, if any, were made before it failed?
  - Is this the original reported failure, or has this failure been reported before?
- Diagnostic program type and version level
- Hardware configuration (print screen of the system summary)
- BIOS code level
- Operating-system type and version level

You can solve some problems by comparing the configuration and software setups between working and nonworking servers. When you compare servers to each other for diagnostic purposes, consider them identical only if all the following factors are exactly the same in all the servers:

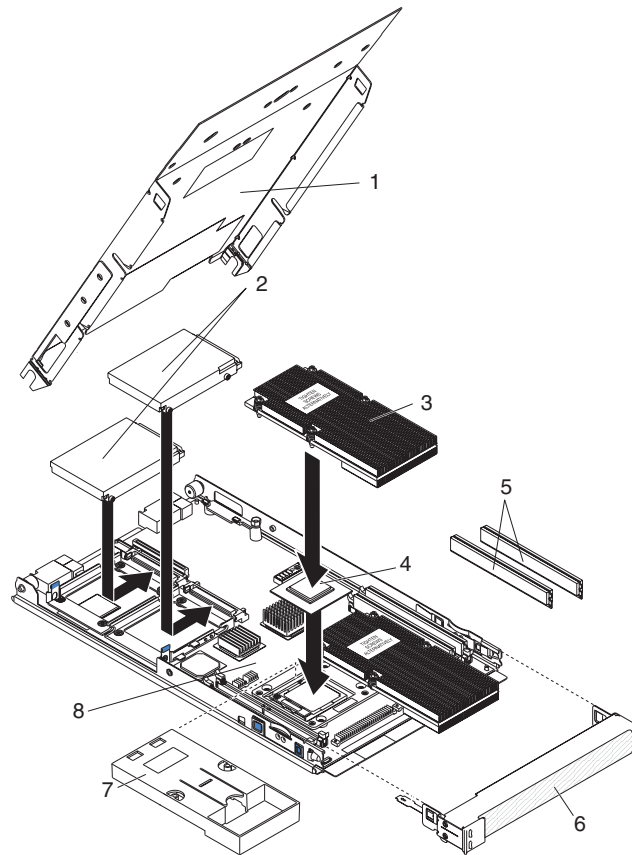
- Machine type and model
- BIOS level
- Adapters and attachments, in the same locations
- Address jumpers, terminators, and cabling
- Software versions and levels
- Diagnostic program type and version level
- Configuration option settings
- Operating-system control-file setup

## Chapter 3. Parts listing, Type 8850

The following replaceable components are available for the LS20 Type 8850 blade server. To check for an updated parts listing on the Web, complete the following steps:

1. Go to <http://www.ibm.com/support/>
2. Under **Search technical support**, type 8850 and click **Search**.
3. Under Document type, select **Parts information** and click **Go**.

**Note:** The illustrations in this document might differ slightly from your hardware.



## Server replaceable units

Replaceable components are of three types:

- **Tier 1 customer replaceable unit (CRU):** Replacement of Tier 1 CRUs is your responsibility. If IBM installs a Tier 1 CRU at your request, you will be charged for the installation.
- **Tier 2 customer replaceable unit:** You may install a Tier 2 CRU yourself or request IBM to install it, at no additional charge, under the type of warranty service that is designated for your server.
- **Field replaceable unit (FRU):** FRUs must be installed only by trained service technicians.

For information about the terms of the warranty and getting service and assistance, see the *Warranty and Support Information* document.

Index	Description	CRU No. (Tier 1)	CRU No. (Tier 2)	FRU No.
1	Cover and label (all models)	31R3404		
2	Hard disk drive, 36 GB SCSI (option)	90P1315		
2	Hard disk drive, 36 GB SCSI (option)	39R7336		
2	Hard disk drive, 73 GB SCSI (option)	90P1316		
2	Hard disk drive, 73 GB SCSI (option)	39R7338		
3	Heat sink, microprocessor (all models)			31R3399
4	Microprocessor with heat sink, Opteron 246 2.0-1 MB (model 51x, CTO)			31R3444
4	Microprocessor with heat sink, Opteron 250 2.4-1 MB (model 71x, 72x, CTO)			31R3394
4	Microprocessor with heat sink, Opteron 252, 2.6-1 MB (model 81x, 82x, CTO)			42C4458
4	Microprocessor with heat sink, Opteron 270 2.0-1 MB, Dual Core (model 55x, 56x, CTO)			39M4804
4	Microprocessor with heat sink, Opteron 275 2.2-1 MB, Dual Core (models 65x, 66x, CTO)			25R8447
4	Microprocessor with heat sink, Opteron 280 2.4-2 MB, Dual Core (models 76x, CTO)			25R8565
4	Microprocessor with heat sink, Opteron 254 2.8-1 MB, (models 92x CTO)			42C4460
5	Memory, VLP, 512 MB PC3200 (models 51x, 55x, 65, 71x, CTO)	73P5124		
5	Memory, VLP, 1 GB PC3200 (model 81x, CTO)	73P5125		
5	Memory, VLP, 512 MB PC3200CL3 (models 56x, 66x, 76x, CTO)	39M5845		
5	Memory, VLP, 1 GB PC3200CL3 (model 82x, 92x, CTO)	39M5848		
5	Memory, VLP, 2 GB PC3200 (option)	73P5126		
5	Memory, VLP, 2 GB PC3200 (option)	39M5851		
5	Memory, VLP, 4 GB PC3200 (option)	43X0616		
6	Bezel assembly (all models)	40K6247		
7	Filler, microprocessor heat sink (all models)	31R3407		

Index	Description	CRU No. (Tier 1)	CRU No. (Tier 2)	FRU No.
8	System board assembly (all models)			46C7433
	Alcohol wipes (all models)		59P4739	
	Base, with insulator (all models)			31R3403
	Battery, 3.0 volt (all models)	33F8354		
	Ethernet expansion card (option)	13N2306		
	Fibre channel expansion card (option)	26R0836		
	Fibre channel expansion card, SFF (option)	26K4859		
	Gigabit Ethernet expansion card (option)	46M5963		
	Grease, heat sink (all models)		41Y9292	
	Kit, miscellaneous parts (all models) <ul style="list-style-type: none"> <li>• Screw, M3.5 x 6 Phillips pan head, system board</li> <li>• Light pipe, hard disk drive LEDs</li> <li>• Screw, M3 x 3 Phillips (large head), mobile hard disk drive tray</li> <li>• Screw, 4-40 x 4.76 mm flat head</li> <li>• Guide, blade top edge</li> <li>• Socket, alignment</li> <li>• Pin, alignment</li> <li>• Flyer, ID stickers with instructions</li> <li>• Assembly, system board lightbox with transparency</li> <li>• Cover, connector plug</li> <li>• Tray, daughter card mount, new form factor</li> </ul>	26K5963		
	Label, FRU list (all models)	31R3401		
	Label, FRU list (all models)	40K6250		
	Label, system service (all models)	31R3400		
	Retention module, heat sink			31R3408
	Tray, expansion card (all models)	26K5969		
	Tray, SCSI hard disk drive	26K5970		

## Product recovery CDs

Table 1. Recover CDs

Description	CRU part number
Microsoft Windows Server 2003 R2 Standard Edition 32-bit w/SP2 1-4 microprocessors, U.S. English	44W4046
Microsoft Windows Server 2003 R2 Standard Edition 32-bit w/SP2 1-4 microprocessors, French	44W4047
Microsoft Windows Server 2003 R2 Standard Edition 32-bit w/SP2 1-4 microprocessors, Italian	44W4048
Microsoft Windows Server 2003 R2 Standard Edition 32-bit w/SP2 1-4 microprocessors, German	44W4049
Microsoft Windows Server 2003 R2 Standard Edition 32-bit w/SP2 1-4 microprocessors, Spanish	44W4050

Table 1. Recover CDs (continued)

Description	CRU part number
Microsoft Windows Server 2003 R2 Standard Edition 32-bit w/SP2 1-4 microprocessors, Traditional Chinese	44W4051
Microsoft Windows Server 2003 R2 Standard Edition 32-bit w/SP2 1-4 microprocessors, Japanese	44W4052
Microsoft Windows Server 2003 R2 Standard Edition 32-bit w/SP2 1-4 microprocessors, Simplified Chinese	44W4053
Microsoft Windows Server 2003 R2 Standard Edition 32-bit w/SP2 1-4 microprocessors, Korean	44W4054
Microsoft Windows Server 2003 R2 Standard Edition 64-bit w/SP2 1-4 microprocessors, U.S. English	44W4055
Microsoft Windows Server 2003 R2 Standard Edition 64-bit w/SP2 1-4 microprocessors, Japanese	44W4056
Microsoft Windows Server 2003 R2 Enterprise Edition 32-bit w/SP2 1-2 microprocessors, U.S. English	44W4057
Microsoft Windows Server 2003 R2 Enterprise Edition 32-bit w/SP2 1-2 microprocessors, French	44W4058
Microsoft Windows Server 2003 R2 Enterprise Edition 32-bit w/SP2 1-2 microprocessors, German	44W4059
Microsoft Windows Server 2003 R2 Enterprise Edition 32-bit w/SP2 1-2 microprocessors, Spanish	44W4060
Microsoft Windows Server 2003 R2 Enterprise Edition 32-bit w/SP2 1-2 microprocessors, Simplified Chinese	44W4061
Microsoft Windows Server 2003 R2 Enterprise Edition 32-bit w/SP2 1-2 microprocessors, Traditional Chinese	44W4062
Microsoft Windows Server 2003 R2 Enterprise Edition 32-bit w/SP2 1-2 microprocessors, Japanese	44W4063
Microsoft Windows Server 2003 R2 Enterprise Edition 32-bit w/SP2 1-2 microprocessors, Korean	44W4064
Microsoft Windows Server 2003 R2 Enterprise Edition 32-bit w/SP2 1-8 microprocessors, U.S. English	44W4065
Microsoft Windows Server 2003 R2 Enterprise Edition 32-bit w/SP2 1-8 microprocessors, French	44W4066
Microsoft Windows Server 2003 R2 Enterprise Edition 32-bit w/SP2 1-8 microprocessors, Italian	44W4067
Microsoft Windows Server 2003 R2 Enterprise Edition 32-bit w/SP2 1-8 microprocessors, German	44W4068
Microsoft Windows Server 2003 R2 Enterprise Edition 32-bit w/SP2 1-8 microprocessors, Spanish	44W4069
Microsoft Windows Server 2003 R2 Enterprise Edition 32-bit w/SP2 1-8 microprocessors, Simplified Chinese	44W4070
Microsoft Windows Server 2003 R2 Enterprise Edition 32-bit w/SP2 1-8 microprocessors, Traditional Chinese	44W4071
Microsoft Windows Server 2003 R2 Enterprise Edition 32-bit w/SP2 1-8 microprocessors, Japanese	44W4072
Microsoft Windows Server 2003 R2 Enterprise Edition 32-bit w/SP2 1-8 microprocessors, Korean	44W4073

Table 1. Recover CDs (continued)

<b>Description</b>	<b>CRU part number</b>
Microsoft Windows Server 2003 R2 Enterprise Edition 64-bit w/SP2 1-2 microprocessors, U.S. English	44W4074
Microsoft Windows Server 2003 R2 Enterprise Edition 64-bit w/SP2 1-2 microprocessors, Japanese	44W4075
Microsoft Windows Server 2003 R2 Enterprise Edition 64-bit w/SP2 1-2 microprocessors, Italian	44W4078
Microsoft Windows Server Enterprise 32 Embedded Software Package	68Y9467





---

## Chapter 4. Removing and replacing blade server components

Replaceable components are of three types:

- **Tier 1 customer replaceable unit (CRU):** Replacement of Tier 1 CRUs is your responsibility. If IBM installs a Tier 1 CRU at your request, you will be charged for the installation.
- **Tier 2 customer replaceable unit:** You may install a Tier 2 CRU yourself or request IBM to install it, at no additional charge, under the type of warranty service that is designated for your server.
- **Field replaceable unit (FRU):** FRUs must be installed only by trained service technicians.

See Chapter 3, “Parts listing, Type 8850,” on page 53 to determine whether a component is a Tier 1 CRU, Tier 2 CRU, or FRU.

For information about the terms of the warranty and getting service and assistance, see the *Warranty and Support Information* document.

---

### Installation guidelines

Before you install options, read the following information:

- Read the safety information that begins on page v and the guidelines in “Handling static-sensitive devices” on page 60. This information will help you work safely.
- Observe good housekeeping in the area where you are working. Place removed covers and other parts in a safe place.
- Back up all important data before you make changes to disk drives.
- Before you remove a hot-swap blade server from the BladeCenter® unit, you must shut down the operating system and turn off the blade server. You do not have to shut down the BladeCenter unit itself.
- Blue on a component indicates touch points, where you can grip the component to remove it from or install it in the blade server, open or close a latch, and so on.
- Orange on a component or an orange label on or near a component indicates that the component can be hot-swapped, which means that if the server and operating system support hot-swap capability, you can remove or install the component while the server is running. (Orange can also indicate touch points on hot-swap components.) See the instructions for removing or installing a specific hot-swap component for any additional procedures that you might have to perform before you remove or install the component.
- For a list of supported options for the blade server, see <http://www.ibm.com/pc/us/compat/>.

## System reliability guidelines

To help ensure proper cooling and system reliability, observe the following guidelines:

- Make sure that microprocessor socket 2 always contains either a microprocessor heat sink filler or a microprocessor and heat sink. If the blade server has only one microprocessor, it must be installed in the microprocessor socket 1.
- To maintain proper system cooling, do not operate the BladeCenter unit without a blade server, expansion unit, or filler blade installed in each blade bay. See the documentation for your BladeCenter unit type for additional information.

## Handling static-sensitive devices

**Attention:** Static electricity can damage the blade server and other electronic devices. To avoid damage, keep static-sensitive devices in their static-protective packages until you are ready to install them.

To reduce the possibility of damage from electrostatic discharge, observe the following precautions:

- When working on the BladeCenter T unit, use an electrostatic discharge (ESD) wrist strap, especially when you will be handling modules, options, and blade servers. To work properly, the wrist strap must have a good contact at both ends (touching your skin at one end and firmly connected to the ESD connector on the front or back of the BladeCenter T unit).
- Limit your movement. Movement can cause static electricity to build up around you.
- Handle the device carefully, holding it by its edges or its frame.
- Do not touch solder joints, pins, or exposed circuitry.
- Do not leave the device where others can handle and damage it.
- While the device is still in its static-protective package, touch it to an unpainted metal part of the BladeCenter unit or any unpainted metal surface on any other grounded rack component in the rack you are installing the device in for at least 2 seconds. This drains static electricity from the package and from your body.
- Remove the device from its package and install it directly into the blade server without setting down the device. If it is necessary to set down the device, put it back into its static-protective package. Do not place the device on the blade server cover or on a metal surface.
- Take additional care when handling devices during cold weather. Heating reduces indoor humidity and increases static electricity.

## Returning a device or component

If you are instructed to return a device or component, follow all packaging instructions, and use any packaging materials for shipping that are supplied to you.

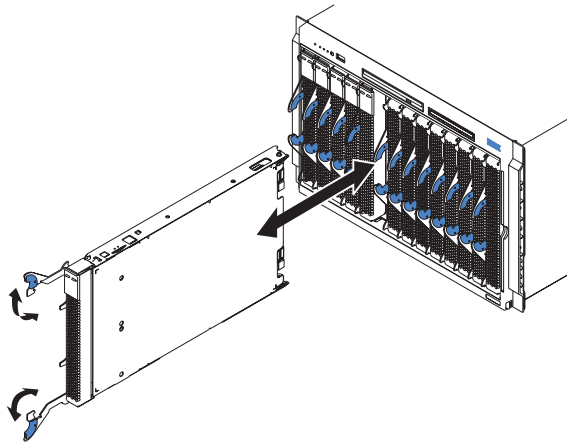
---

## Removing and installing the blade server in a BladeCenter unit

### Attention:

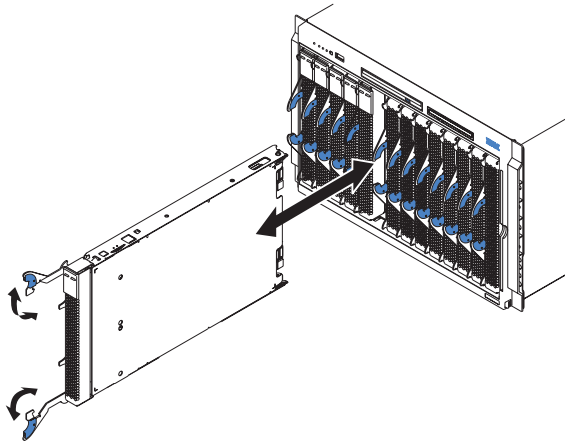
- To maintain proper system cooling, do not operate the BladeCenter unit without a blade server, expansion unit, or filler blade installed in each blade bay.
- Note the bay number. Reinstalling a blade server into a different bay than the one from which it was removed could have unintended consequences. Some configuration information and update options are established according to bay number; if you reinstall the blade server into a different bay, you might need to reconfigure the blade server.

To remove the blade server from a BladeCenter unit, complete the following steps.



1. If the blade server is operating, shut down the operating system; then, press the power-control button (behind the blade server control panel door) to turn off the blade server (see “Turning off the blade server” on page 6 for more information).  
**Attention:** Wait at least 30 seconds, until the hard disk drives stop spinning, before proceeding to the next step.
2. Open the two release levers as shown in the illustration. The blade server moves out of the bay approximately 0.6 cm (0.25 inch).
3. Pull the blade server out of the bay. Spring-loaded doors further back in the bay move into place to cover the bay temporarily.
4. Place either a filler blade or another blade server in the bay within 1 minute. The recessed spring-loaded doors will move out of the way as you insert the blade or filler blade.

To install a blade server in a BladeCenter unit, complete the following steps.



Statement 21:



**CAUTION:**

**Hazardous energy is present when the blade server is connected to the power source. Always replace the blade cover before installing the blade server.**

1. Read the safety information that begins on page v and “Installation guidelines” on page 59 through “Handling static-sensitive devices” on page 60.
2. If you have not done so already, install any options that you want, such as SCSI drives or memory, in the blade server.
3. Make sure that the release levers on the blade server are in the open position (perpendicular to the blade server).
4. If you installed a filler blade or another blade in the bay from which you removed the blade server, remove it from the bay.

**Attention:** You must install the blade server in the same blade bay from which you removed it. Some blade server configuration information and update options are established according to bay number. Reinstalling a blade server into a different blade bay from the one from which it was removed could have unintended consequences, and you might have to reconfigure the blade server.

5. Slide the blade server into the blade bay from which you removed it until it stops. The spring-loaded doors farther back in the bay that cover the bay opening move out of the way as you insert the blade server.

**Note:** When installing any blade server or option in blade bays 7 through 14 (in a BladeCenter unit) or in blade bays 5 through 8 (in a BladeCenter T unit), power modules must be present in all four power-module bays.

6. Push the release levers on the front of the blade server closed.
7. Turn on the blade server (see “Turning on the blade server” on page 6 for instructions).

8. Make sure that the power-on LED on the blade control panel is lit continuously, indicating that the blade server is receiving power and is turned on.
9. (Optional) Write identifying information on one of the user labels that come with the blade servers and place the label on the BladeCenter unit bezel.

**Important:** Do not place the label on the blade server or in any way block the ventilation holes on the blade server (see the *Installation and User's Guide* for information about the label placement).

10. If you have other blade servers to install, do so now.

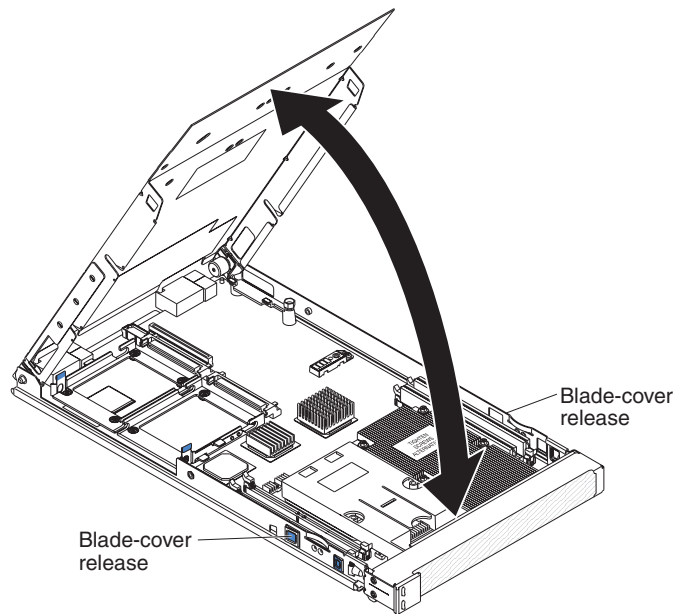
**Note:** Reinstall the bezel assembly on the BladeCenter T unit after you have finished installing the blade servers (see the *BladeCenter T Types 8720 and 8730 Installation and User's Guide* for detailed instructions for reinstalling the bezel assembly).

If you have changed the configuration of the blade server, or this is a different blade server than the one you removed, you must configure the blade server with the Configuration/Setup Utility and you might have to install the blade server operating system. Detailed information about these tasks is available in the *Installation and User's Guide*.

---

## Operating the blade server cover

To open the blade server cover, complete the following steps.



1. Read the safety information that begins on page v and “Installation guidelines” on page 59.
2. If the blade server is installed in a BladeCenter unit, remove it (see “Removing and installing the blade server in a BladeCenter unit” on page 61 for instructions).
3. Carefully lay the blade server down on a flat, non-conductive surface, with the cover side up.
4. Press the blade-cover release on each side of the blade server and lift the cover open.
5. Lay the cover flat, or lift it from the blade server and store it for future use.

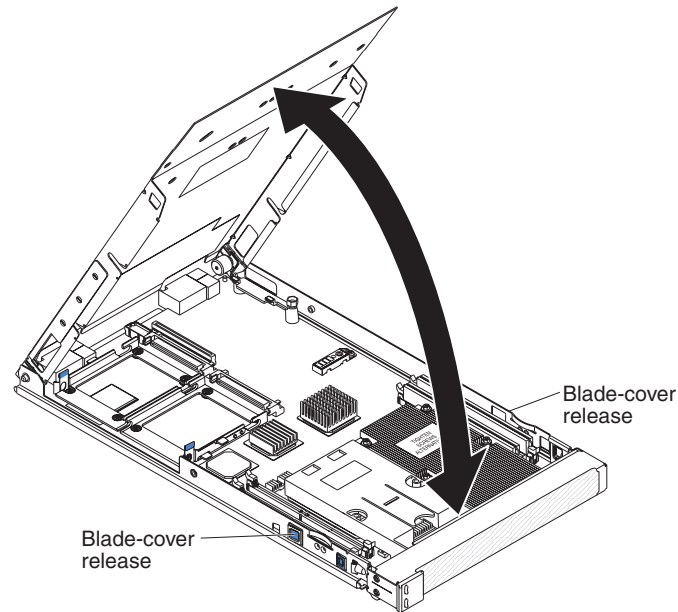
To close the blade server cover, complete the following steps.

Statement 21:



**CAUTION:**

Hazardous energy is present when the blade server is connected to the power source. Always replace the blade cover before installing the blade server.



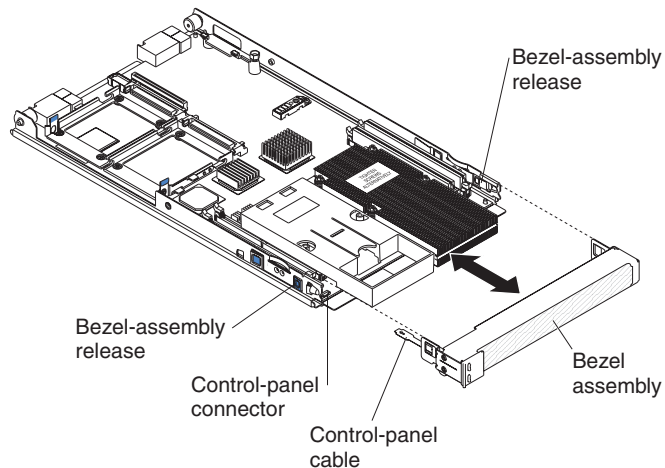
**Important:** The blade server cannot be inserted into the BladeCenter unit until the cover is installed and closed. Do not attempt to override this protection.

1. Read the safety information that begins on page v and “Installation guidelines” on page 59.
2. If you removed the blade server bezel assembly, replace it now (see “Removing and replacing the bezel assembly” on page 66 for instructions).
3. Lower the cover so that the slots at the rear slide down onto the pins at the rear of the blade server. Before closing the cover, check that all components are installed and seated correctly and that you have not left loose tools or parts inside the blade server.
4. Pivot the cover to the closed position until it clicks into place.
5. Install the blade server into the BladeCenter unit. See “Removing and installing the blade server in a BladeCenter unit” on page 61 for instructions.

---

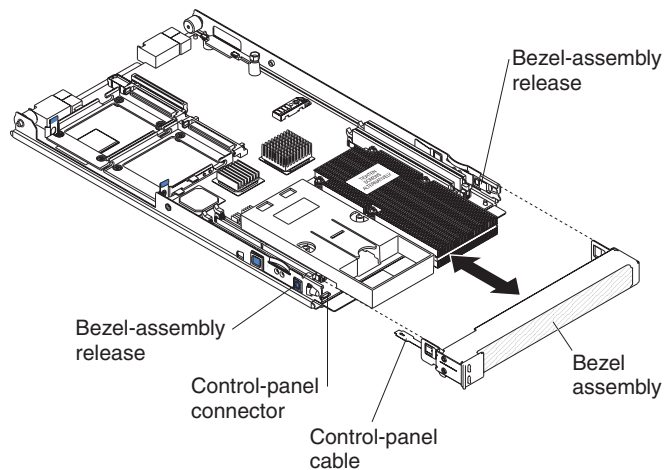
## Removing and replacing the bezel assembly

To remove the bezel assembly, complete the following steps.



1. Read the safety information that begins on page v and “Installation guidelines” on page 59.
2. Open the blade server cover (see “Operating the blade server cover” on page 64 for instructions).
3. Press the bezel-assembly release on each side of the blade server and pull the bezel assembly away from the blade server approximately 1.2 cm (0.5 inch).
4. Disconnect the control-panel cable from the control-panel connector.
5. Pull the bezel assembly away from the blade server.
6. Store the bezel assembly in a safe place.

To install the bezel assembly, complete the following steps.



1. Read the safety information that begins on page v and “Installation guidelines” on page 59.
2. Connect the control-panel cable to the control-panel connector on the system board.
3. Carefully slide the bezel assembly onto the blade server until it clicks into place.



---

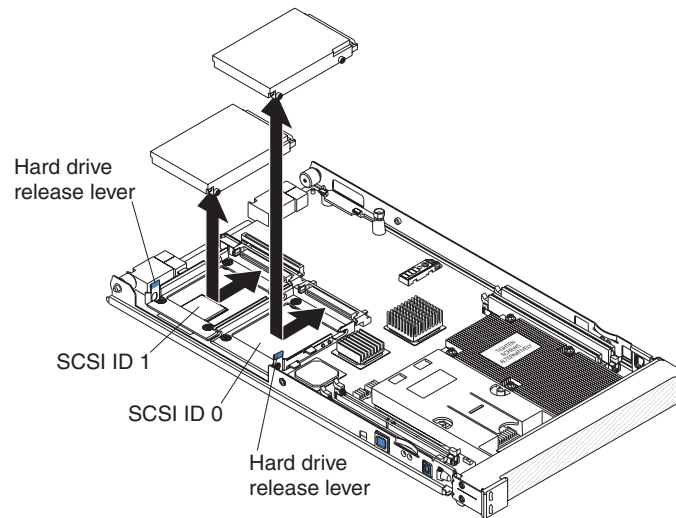
## Removing and replacing Tier 1 CRUs

Replacement of Tier 1 CRUs is your responsibility. If IBM installs a Tier 1 CRU at your request, you will be charged for the installation.

The illustrations in this document might differ slightly from your hardware.

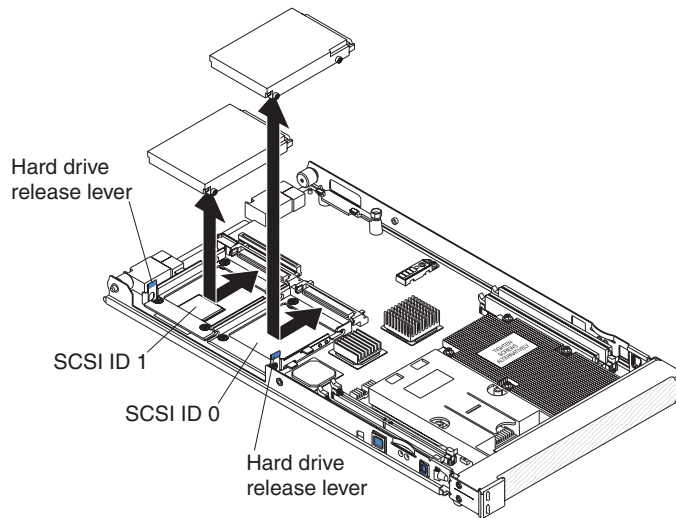
### SCSI hard disk drive

To remove a SCSI hard disk drive, complete the following steps:



1. Read the safety information that begins on page v and “Installation guidelines” on page 59.
2. Shut down the operating system, turn off the blade server, and remove the blade server from the BladeCenter unit. See “Removing and installing the blade server in a BladeCenter unit” on page 61 for instructions.
3. Carefully lay the blade server on a flat, non-conductive surface.
4. Remove the blade server cover (see “Operating the blade server cover” on page 64 for instructions).
5. Locate the hard disk drive to be removed (SCSI ID 0 or SCSI ID 1).
6. While pulling the blue release lever at the front of the hard disk drive tray, slide the drive out of the SCSI connector and disengage it from the drive tray.

To install a replacement SCSI hard disk drive, complete the following steps.



1. Identify the location (SCSI ID 0 or SCSI ID 1) in which the hard disk drive will be installed.  
**Attention:** Do not press on the top of the drive. Pressing the top could damage the drive.
2. Place the drive into the hard disk drive tray and push it toward the rear of the drive, into the connector until the drive moves past the lever at the front of the tray.
3. Install the blade server cover (see “Operating the blade server cover” on page 64 for instructions).
4. Install the blade server into the BladeCenter unit. See “Removing and installing the blade server in a BladeCenter unit” on page 61 for instructions.

## Memory modules (DIMMs)

The following notes describe the types of dual inline memory modules (DIMMs) that the blade server supports and other information that you must consider when installing DIMMs:

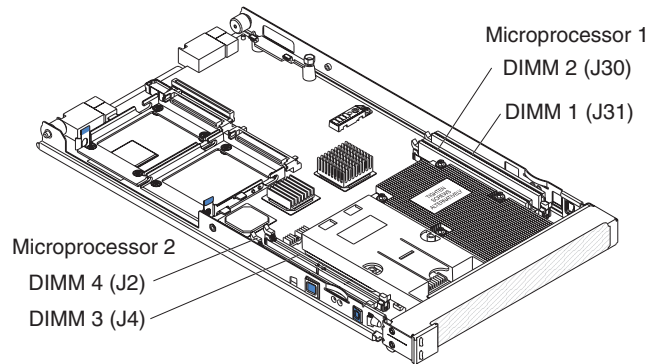
- The system board contains four DIMM connectors and supports two-way memory interleaving.
- As of the date of this publication, the DIMM options that are available for the blade server are 512 MB, 1 GB, and 2 GB. Depending on the memory configuration set in blade server BIOS, as of the date of this publication, the blade server can support a minimum of 1 GB and a maximum of 8 GB of system memory.
- For optimum performance, one pair of DIMMs is associated with each microprocessor. The blade server comes with two DIMMs installed for each microprocessor.

Pair	DIMM connectors
Microprocessor 1	1 (J31) and 2 (J30)
Microprocessor 2	3 (J4) and 4 (J2)

- One pair of DIMMs can be used when two microprocessors are installed, but the blade server will operate at a lower level of efficiency. When one microprocessor is installed, you can only install DIMMs in the DIMM connectors that are associated with the microprocessor.
- When you install memory, you must install a pair of matched DIMMs.
- Both DIMMs in a pair must be the same size, speed, type, technology, and physical design. You can mix compatible DIMMs from different manufacturers.
- The second pair does not have to be DIMMs of the same size, speed, type, technology, and physical design as the first pair.
- Install only 2.6 V, 184-pin, DDR1, PC3200, VLP, registered SDRAM with ECC DIMMs. For a current list of supported DIMMs for the blade server, see the ServerProven list at <http://www.ibm.com/pc/us/compat/>.
- Installing or removing DIMMs changes the configuration information for the blade server. After installing or removing a DIMM, you must change and save the new configuration information by using the Configuration/Setup Utility program. When you restart the blade server, it displays a message indicating that the memory configuration has changed. Start the Configuration/Setup Utility program and select **Save Settings**. See “Configuration/Setup Utility menu choices” on page 87 for more information.

**To remove a memory module (DIMM), complete the following steps:**

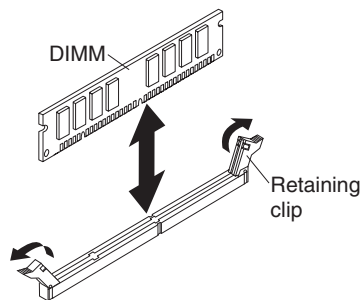
1. Read the safety information that begins on page v and “Installation guidelines” on page 59.
2. Shut down the operating system, turn off the blade server, and remove the blade server from the BladeCenter unit. See “Removing and installing the blade server in a BladeCenter unit” on page 61 for instructions.
3. Carefully lay the blade server on a flat, non-conductive surface.
4. Remove the blade server cover (see “Operating the blade server cover” on page 64 for instructions).
5. Locate the DIMM connectors on the system board. Determine the connector that contains the DIMM to be replaced.



6. To remove a DIMM, repeat the following steps for each DIMM that you want to remove:

**Attention:** Opening both DIMM retaining clips at the same time will cause the DIMM to be ejected rapidly from the system board connector. This action can damage the DIMM and other system board components.

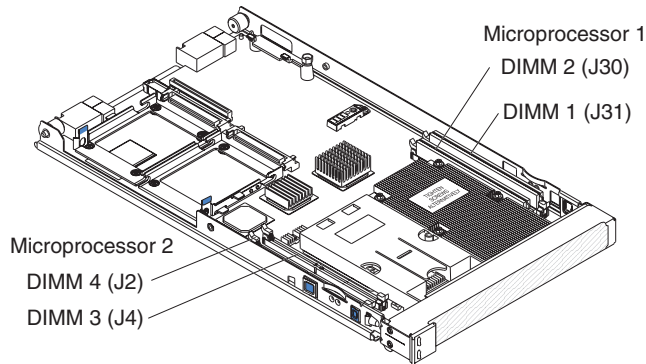
- a. Carefully open the retaining clip on one end of the DIMM until it stops and the DIMM begins to rise out of the system board connector.



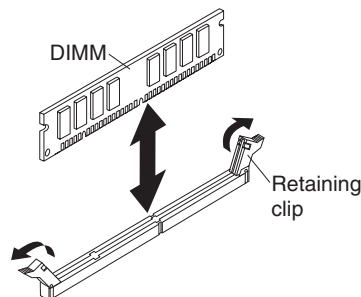
- b. While holding the top edge of the DIMM, carefully open the other retaining clip until it stops and the DIMM is free from the system board connector.
- c. Carefully lift the DIMM out of the blade server and place it on a non-conductive surface.

**To install a replacement memory module (DIMM), complete the following steps:**

1. Read the documentation that comes with the DIMMs.
2. Locate the DIMM connectors on the system board. Determine the connector into which the DIMM will be installed.



3. Touch the static-protective package that contains the DIMM option to any *unpainted* metal surface on the BladeCenter unit or any *unpainted* metal surface on any other grounded rack component in the rack you are installing the DIMM option in for at least 2 seconds; then, remove the DIMM from its package.
4. To install a DIMM, repeat the following steps for each DIMM that you install:
  - a. Make sure that both of the connector retaining clips are in the fully open position.



- b. Turn the DIMM so that the DIMM keys align correctly with the connector on the system board.  
**Attention:** To avoid breaking the retaining clips or damaging the DIMM connectors, handle the clips gently.
  - c. Insert the DIMM by pressing the DIMM along the guides into the connector. Make sure that the retaining clips snap into the closed positions.  
**Important:** If there is a gap between the DIMM and the retaining clips, the DIMM has not been correctly installed. In this case, open the retaining clips and remove the DIMM; then, reinsert the DIMM.
5. Install the blade server cover (see “Operating the blade server cover” on page 64 for instructions).
  6. Install the blade server into the BladeCenter unit. See “Removing and installing the blade server in a BladeCenter unit” on page 61 for instructions.

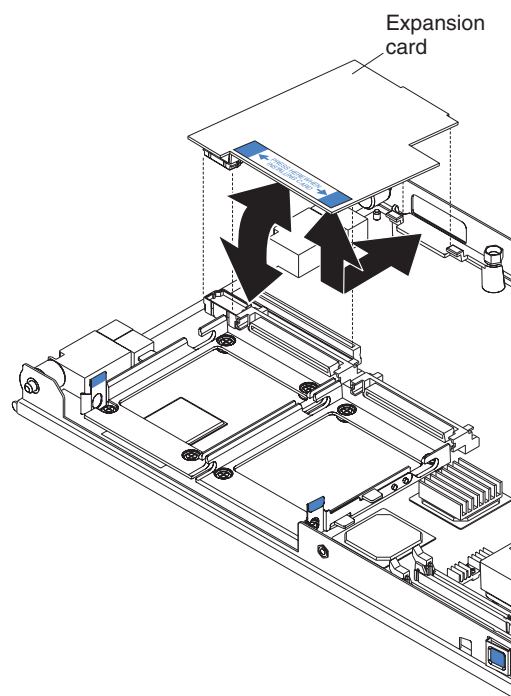
## I/O expansion card

The following sections describe how to remove and replace small-form-factor and standard-form-factor I/O expansion cards in the blade server.

### Small-form-factor expansion card

To remove a small-form-factor expansion card, complete the following steps:

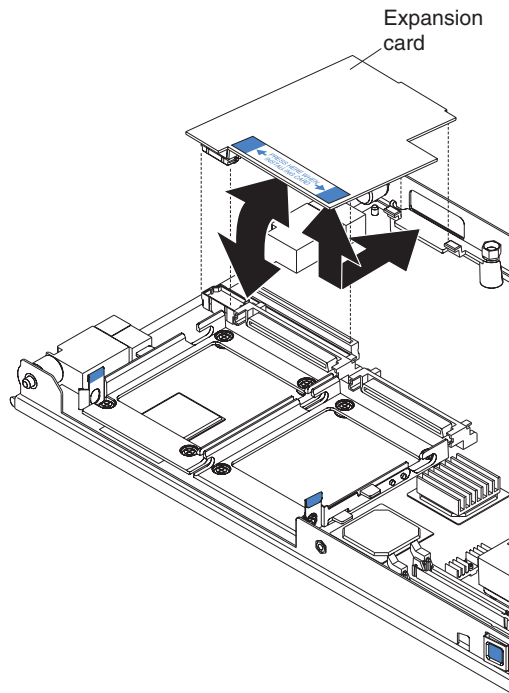
1. Read the safety information that begins on page v and “Installation guidelines” on page 59.
2. Shut down the operating system, turn off the blade server, and remove the blade server from the BladeCenter unit. See “Removing and installing the blade server in a BladeCenter unit” on page 61 for instructions.
3. Carefully lay the blade server on a flat, non-conductive surface.
4. Open the cover (see “Operating the blade server cover” on page 64 for instructions).



5. Gently pivot the wide end of the card out of the expansion card connectors; then, slide the notched end of the card out of the raised hook on the tray and lift the card out of the blade server.

To install a replacement small-form-factor expansion card, complete the following steps:

1. Install the small-form-factor expansion card, as shown in the following illustration.

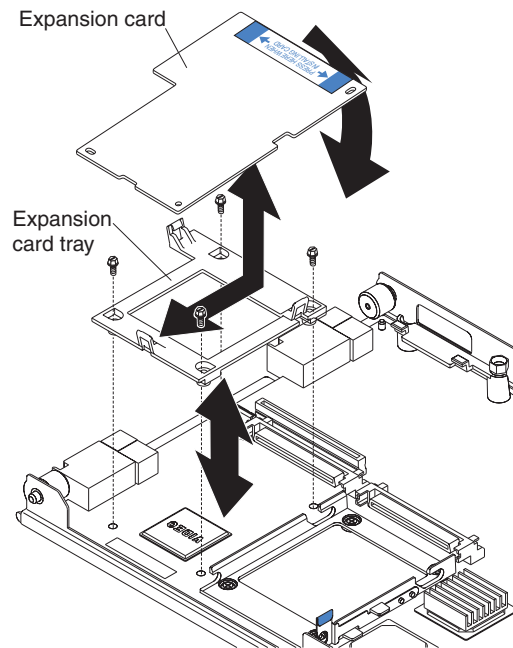


- a. Orient the expansion card.
  - b. Slide the notch in the narrow end of the card into the raised hook on the tray; then, gently pivot the card into the expansion card connectors.
2. Install the blade server cover (see “Operating the blade server cover” on page 64 for instructions).
  3. Install the blade server into the BladeCenter unit. See “Removing and installing the blade server in a BladeCenter unit” on page 61 for instructions.

## Standard-form-factor expansion card

To remove a standard-form-factor expansion card, complete the following steps:

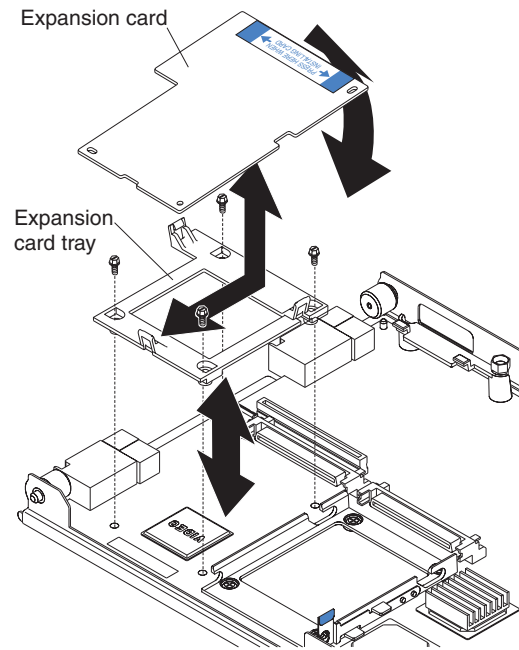
1. Read the safety information that begins on page v and “Installation guidelines” on page 59.
2. Shut down the operating system, turn off the blade server, and remove the blade server from the BladeCenter unit. See “Removing and installing the blade server in a BladeCenter unit” on page 61 for instructions.
3. Carefully lay the blade server on a flat, non-conductive surface.
4. Open the cover (see “Operating the blade server cover” on page 64 for instructions).



5. Gently pivot the wide end of the card out of the expansion card connectors; then, slide the notched end of the card out of the raised hook on the tray and lift the card out of the blade server.
6. To remove the expansion card tray, remove the screws that secure it to the system board.



To install a replacement standard-form-factor expansion card, complete the following steps.



1. If the expansion card tray was removed, secure the tray to the system board with the screws from the option kit or from the removed drive tray.
2. Orient the expansion card and slide the notch in the narrow end of the card into the raised hook on the tray; then, gently pivot the wide end of the card into the expansion card connectors.
3. Install the blade server cover (see “Operating the blade server cover” on page 64 for instructions).
4. Install the blade server into the BladeCenter unit. See “Removing and installing the blade server in a BladeCenter unit” on page 61 for instructions.

## Battery

The following notes describe information that you must consider when replacing the battery in the server.

- When replacing the battery, you must replace it with a lithium battery of the same type from the same manufacturer.
- To order replacement batteries, call 1-800-426-7378 within the United States, and 1-800-465-7999 or 1-800-465-6666 within Canada. Outside the U.S. and Canada, call your IBM marketing representative or authorized reseller.
- After you replace the battery, you must reconfigure the server and reset the system date and time.
- To avoid possible danger, read and follow the following safety statement.

### Statement 2:



### CAUTION:

**When replacing the lithium battery, use only IBM Part Number 33F8354 or an equivalent type battery recommended by the manufacturer. If your system has a module containing a lithium battery, replace it only with the same module type made by the same manufacturer. The battery contains lithium and can explode if not properly used, handled, or disposed of.**

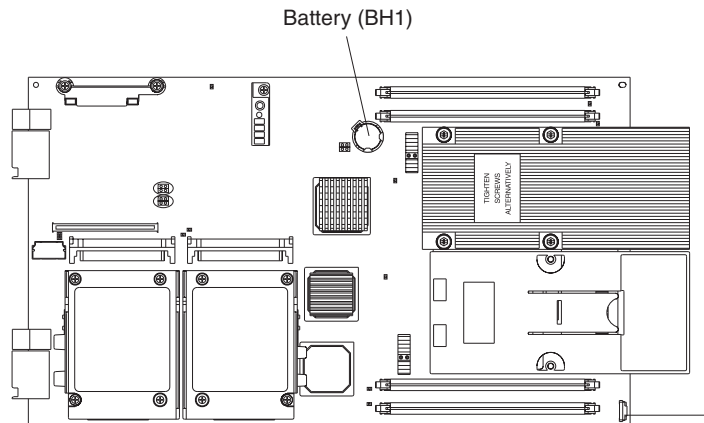
### *Do not:*

- **Throw or immerse into water**
- **Heat to more than 100°C (212°F)**
- **Repair or disassemble**

**Dispose of the battery as required by local ordinances or regulations.**

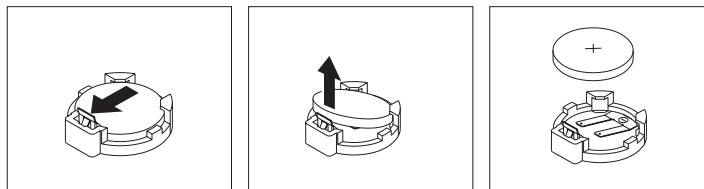
### **To remove the battery, complete the following steps:**

1. Read the safety information that begins on page v and “Installation guidelines” on page 59
2. Turn off the blade server and remove it from the BladeCenter unit (see “Removing and installing the blade server in a BladeCenter unit” on page 61 for instructions).
3. Open the blade server cover (see “Operating the blade server cover” on page 64 for instructions).
4. Locate the battery on the system board.



5. Remove the battery:

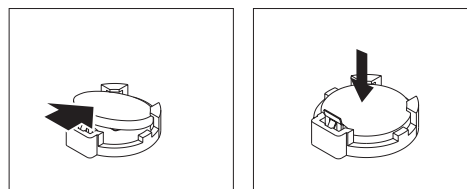
- a. Use one fingernail to press the top of the battery clip away from the battery. The battery pops up when released.



- b. Use your thumb and index finger to lift the battery from the socket.

**To install the replacement battery, complete the following steps:**

1. Follow any special handling and installation instructions that come with the battery.
2. Insert the replacement battery:
  - a. Tilt the battery so that you can insert it into the socket on the side opposite the battery clip.



- b. Press the battery down into the socket until it clicks into place. Make sure that the battery clip holds the battery securely.
3. Install the blade server cover (see “Operating the blade server cover” on page 64 for instructions).
4. Install the blade server into the BladeCenter unit. See “Removing and installing the blade server in a BladeCenter unit” on page 61 for instructions.
5. Turn on the blade server and run the Configuration/Setup Utility program. Set configuration parameters as needed (see “Using the Configuration/Setup Utility program” on page 86 for information).

---

## Removing and replacing FRUs

FRUs must be installed only by trained service technicians.

The illustrations in this document might differ slightly from your hardware.

### Microprocessor

Read the following important guidelines before removing a microprocessor that is not faulty (for example, when replacing the system board assembly).

**Attention:** Do *not* use a thermal grease syringe with this FRU.

If you are not replacing a defective heat sink or microprocessor, the grease on the heat sink and microprocessor will remain effective if you perform the following steps:

1. Carefully handle the heat sink and microprocessor when removing or installing these components. Do not touch the grease or otherwise allow it to become contaminated.
2. For dual-microprocessor systems, since the microprocessor and the heat sink are a matched set, first transfer the heat sink and microprocessor from one socket to the new system board; then, transfer the other heat sink and microprocessor. (This will ensure that the grease remains evenly distributed between each heat sink and microprocessor.)

The following sections contain the instructions for removing and replacing a microprocessor.

#### Notes:

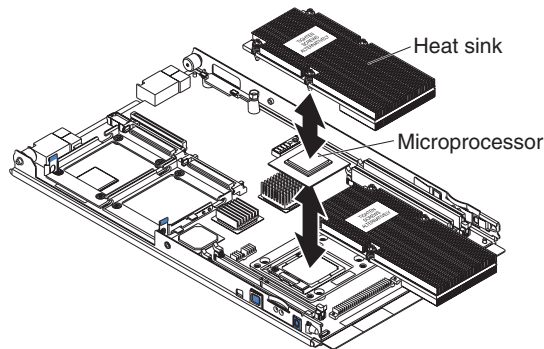
- The heat sink FRU is packaged with the thermal grease applied to the underside. This thermal grease is not available as a separate FRU. The heat sink must be replaced when new grease is required, such as when a defective microprocessor is replaced or if the grease is contaminated.
- If you need to install a new heat sink for any reason, first remove the thermal grease from the microprocessor with an alcohol pad before attaching the new heat sink.
- The microprocessor FRU for this system board includes a heat sink.
- A heat sink FRU can be ordered separately if the grease becomes contaminated.

#### To remove a microprocessor, complete the following steps:

1. Read the safety information that begins on page v, the “Installation guidelines” on page 59 and “Handling static-sensitive devices” on page 60.
2. Shut down the operating system, turn off the blade server, and remove the blade server from the BladeCenter unit (see “Removing and installing the blade server in a BladeCenter unit” on page 61).
3. Carefully lay the blade server on a flat, non-conductive surface.
4. Open the blade server cover (see “Operating the blade server cover” on page 64 for instructions).
5. Remove the bezel assembly (see “Removing and replacing the bezel assembly” on page 66 for instructions).

6. Identify the microprocessor to be removed.

**Note:** If you are replacing a failed microprocessor, verify that you have selected the correct microprocessor for replacement (see “Light path diagnostics” on page 40).



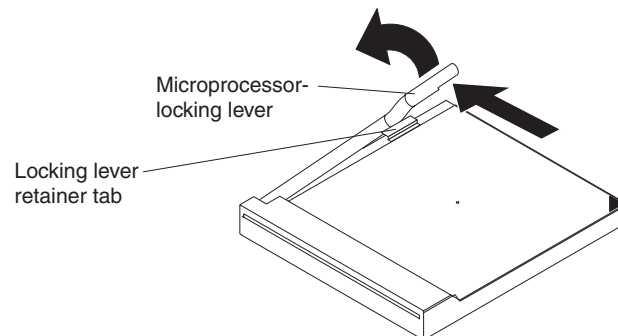
7. Remove the heat sink:
  - a. Loosen two captive screws on one side of the heat sink fully; then, loosen the other two captive screws.

**Note:** Loosening the screws on one side fully before loosening the other screws will help to break the thermal bond that adheres the heat sink to the microprocessor.

- b. Gently pull the heat sink off of the microprocessor.

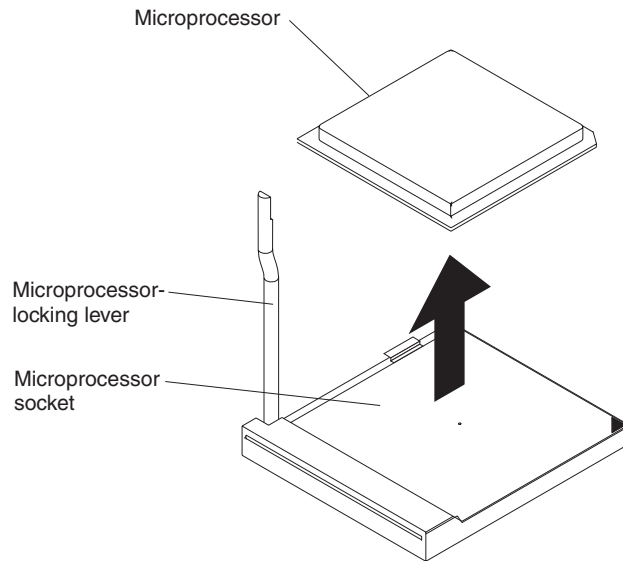
**Attention:** Do not use any tools or sharp objects to lift the locking lever on the microprocessor socket. Doing so might result in permanent damage to the system board.

8. Release the microprocessor locking lever by moving it away from the microprocessor socket and around the locking lever retainer tab; then, rotate it upward to the fully open position.



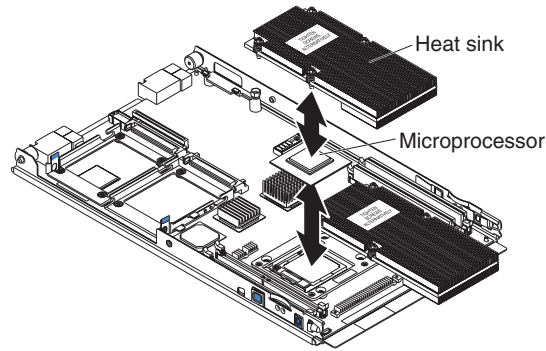
**Attention:**

- You must ensure that the locking lever on the microprocessor socket is in the fully open position before you remove the microprocessor from the microprocessor socket. Failure to do so might result in permanent damage to the microprocessor, microprocessor socket, and system board.



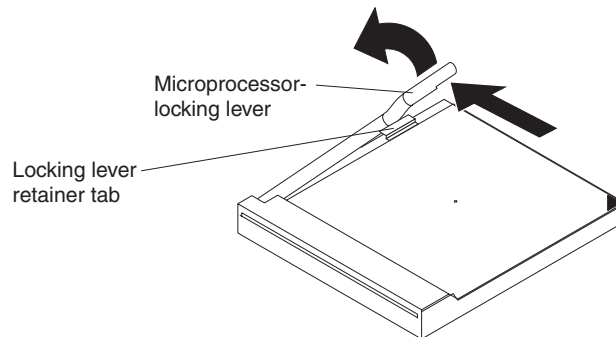
- Avoid touching the components and gold pins on the microprocessor.
9. Pull the microprocessor out of the socket.

To install a replacement microprocessor, complete the following steps



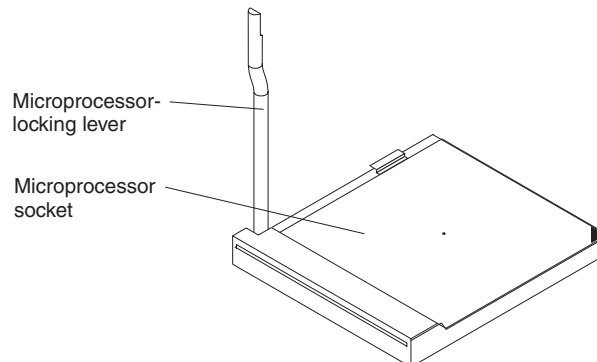
**Attention:** Do not use any tools or sharp objects to lift the locking lever on the microprocessor socket. Doing so might result in permanent damage to the system board.

1. If the microprocessor locking lever is closed, release it by moving it away from the microprocessor socket and around the locking lever retainer tab; then, rotate it upward to the fully open position.



**Attention:**

- You must ensure that the locking lever on the microprocessor socket is in the fully open position before you install the microprocessor into the microprocessor socket. Failure to do so might result in permanent damage to the microprocessor, microprocessor socket, and system board.

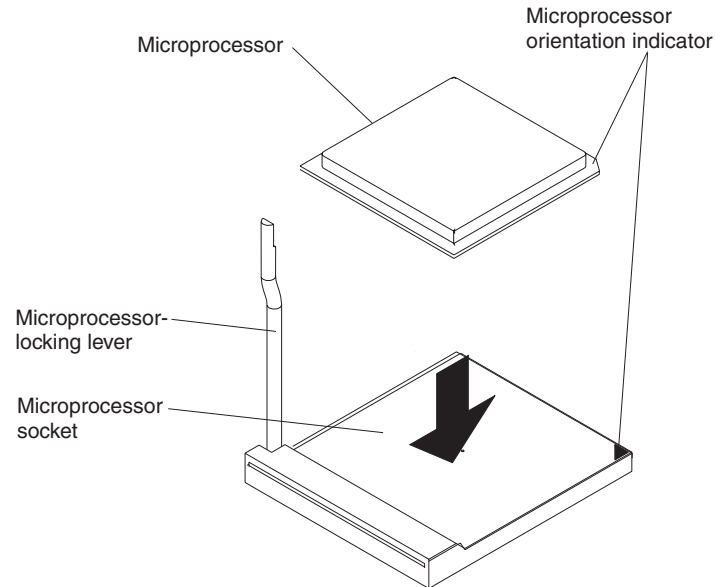


- Avoid touching the components and gold pins on the microprocessor. Make sure that the microprocessor is completely and correctly seated in the socket. Incomplete insertion might cause damage to the system board or to the microprocessor.

2. Touch the static-protective package that contains the replacement microprocessor to any *unpainted* metal surface on the blade server or any *unpainted* metal surface on any other grounded rack component in the rack you are installing the microprocessor in for at least 2 seconds; then, remove the microprocessor from the package.

**Attention:** Do not use excessive force when pressing the microprocessor into the socket.

3. Center the microprocessor over the microprocessor socket. Align the triangle on the corner of the microprocessor with the triangle on the corner of the socket and make sure that the pin patterns of the microprocessor and microprocessor socket match; then, carefully press the microprocessor into the socket.



**Attention:** Make sure that the microprocessor is oriented and aligned correctly in the socket before you try to close the lever.

4. Carefully close the lever to secure the microprocessor in the socket.

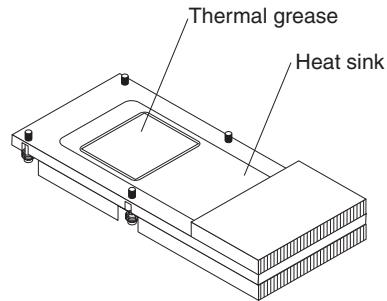
**Note:** A new microprocessor comes in a kit with a heat sink.



5. Install a heat sink on the microprocessor.

**Attention:**

- Do not set down the heat sink after you remove the plastic cover.
- Do not touch the thermal grease on the bottom of the heat sink. Touching the thermal grease will contaminate it. If the thermal grease on the microprocessor or heat sink becomes contaminated, contact your service technician.



- a. Remove the plastic protective cover from the thermal material on the bottom of the heat sink.
- b. Make sure that the thermal material is still on the bottom of the heat sink; then, align and place the heat sink on top of the microprocessor in the retention bracket, grease side down. Press firmly on the heat sink.
- c. Align the four captive screws on the heat sink with the holes on the heat-sink retention module.
- d. Press firmly on the captive screws and tighten them, alternating between screws until they are tight. Do not overtighten the screws by using excessive force. If you are using a torque wrench, tighten the screws to 1.00 to 1.26 Newton-meters (Nm) (8.85 to 11.15 inch-pounds).

**Attention:** If you need to remove the heat sink after installing it, note that the thermal material might have formed a strong bond between the heat sink and the microprocessor. Do not force the heat sink and microprocessor apart; doing so can damage the microprocessor pins. Loosening the captive screws on one side of the heat sink fully before loosening the captive screws on the other side helps break the bond between the components without damaging them.

6. Install the bezel assembly (see “Removing and replacing the bezel assembly” on page 66 for instructions).
7. Install the blade server cover (see “Operating the blade server cover” on page 64 for instructions).
8. Install the blade server into the BladeCenter unit. See “Removing and installing the blade server in a BladeCenter unit” on page 61 for instructions.

## System board assembly

This section describes how to replace the system board assembly. When replacing the system board, you will replace the system board and blade base as one assembly. After replacement, you must either update the system with the latest firmware or restore the pre-existing firmware that the customer provides on a diskette or CD image.

**Note:** See “System-board layouts” on page 7 for more information on the locations of the connectors, jumpers and LEDs on the system board.

### To remove the system board assembly, complete the following steps:

1. Read the safety information that begins on page v, the “Installation guidelines” on page 59 and “Handling static-sensitive devices” on page 60.
2. Shut down the operating system and turn off the blade server (see “Turning off the blade server” on page 6).
3. Remove the blade server from the BladeCenter (see “Removing and installing the blade server in a BladeCenter unit” on page 61).
4. Remove the blade server cover (see “Operating the blade server cover” on page 64).
5. Remove the blade server bezel assembly (see “Removing and replacing the bezel assembly” on page 66).
6. Remove any of the installed components listed below from the system board assembly; then, place them on a non-conductive surface or install them on the new system board assembly.
  - I/O expansion card. See “I/O expansion card” on page 72.
  - Hard disk drives. See “SCSI hard disk drive” on page 67.
  - Microprocessors and heat sinks. See “Microprocessor” on page 78.
  - DIMMs. See “Memory modules (DIMMs)” on page 69.
  - Battery. See “Battery” on page 76.

### To replace the system board assembly, complete the following steps:

1. Install any of the components listed below that were removed from the old system board assembly.
  - I/O expansion card. See “I/O expansion card” on page 72.
  - Hard disk drives. See “SCSI hard disk drive” on page 67.
  - Microprocessors and heat sinks. See “Microprocessor” on page 78.
  - DIMMs. See “Memory modules (DIMMs)” on page 69.
  - Battery. See “Battery” on page 76.
2. Install the bezel assembly (see “Removing and replacing the bezel assembly” on page 66 for instructions).
3. Install the blade server cover (see “Operating the blade server cover” on page 64 for instructions).
4. Install the blade server into the BladeCenter unit. See “Removing and installing the blade server in a BladeCenter unit” on page 61 for instructions.

---

## Chapter 5. Configuration information and instructions

This chapter provides information about updating the firmware and using the configuration utilities.

---

### Updating the firmware

IBM will periodically make firmware updates available for the blade server. Use the following table to determine the methods you can use to install these firmware updates.

**Important:** To avoid problems and to maintain proper system performance, always ensure that the blade server BIOS, service processor, and diagnostic firmware levels are consistent for all blade servers within the BladeCenter unit.

Firmware	Update diskette	RDM	Update Xpress	Management-module Web interface	Switch-module Web interface	Switch-module Telnet interface
BIOS code	Yes	Yes	Yes	No	No	No
Diagnostic code	Yes	Yes <sup>1</sup>	Yes	No	No	No
Service processor code (BMC code)	Yes	Yes	Yes	Yes	No	No

<sup>1</sup> User must set up a custom task.

At some time, you might have to update the service processor (BMC) to apply the latest firmware. Download the latest firmware for the service processor from the IBM Support Web site at <http://www.ibm.com/pc/support/>. Use the management-module Web interface to update the service processor (BMC) firmware. The Web interface is described in the IBM *@server BladeCenter Management Module User's Guide*.

More information about updating the service processor is available in the *Installation and User's Guide*.

---

## Configuring the blade server

The following configuration programs come with the blade server:

- **Configuration/Setup Utility program**

The Configuration/Setup Utility program is part of the basic input/output system (BIOS) code in the blade server. Use it to change system settings, such as interrupt requests (IRQ), date and time, and passwords. See “Using the Configuration/Setup Utility program” for more information.

- **LSI Logic Configuration Utility program**

The LSI Logic Configuration Utility program is part of the BIOS code in the blade server. Use it to set the device scan order and to set the SCSI controller IDs. For more information about this function, see the *Installation and User's Guide*.

The IBM Remote Deployment Manager (RDM) Version 4.20 program is available for purchase. You can use IBM RDM Version 4.20 (or later) to install a BIOS code update onto a blade server by following the instructions in the documentation that comes with the RDM program. To determine if an operating system supports the RDM program or for updated information about RDM and information about purchasing the software, go to [http://www.ibm.com/pc/ww/eserver/xseries/systems\\_management/index.html](http://www.ibm.com/pc/ww/eserver/xseries/systems_management/index.html).

For information about setting up the network configuration for remote management, such as with the IBM Director products, see the *IBM @server BladeCenter Planning and Installation Guide* for your BladeCenter unit type. You can obtain the planning guides from <http://www.ibm.com/pc/support/>.

---

## Using the Configuration/Setup Utility program

This section provides the instructions to start the Configuration/Setup Utility program and descriptions of the menu choices. Use the Configuration/Setup Utility program to:

- View configuration information
- View and change assignments for devices and I/O ports
- Set the date and time
- Set and change passwords
- Set the startup characteristics of the server and the order of startup devices
- Set and change settings for advanced hardware features
- View and clear error logs
- Change interrupt request (IRQ) settings
- Enable USB legacy keyboard and mouse support
- Resolve configuration conflicts

## Starting the Configuration/Setup Utility program

Complete the following steps to start the Configuration/Setup Utility program:

1. Turn on the blade server.
2. Immediately give the blade server control of the BladeCenter unit shared keyboard, mouse, and video ports.
  - If you are managing the blade server using the BladeCenter system console, press the KVM select button on the blade server.
  - If you are managing the blade server from a remote location, see the *IBM @server BladeCenter Management Module User's Guide*, *IBM @server BladeCenter Management Module Command-Line Interface Reference Guide*, or *IBM @server BladeCenter Serial over LAN Setup Guide* for information and instructions.
3. When the Configuration/Setup utility message opens, press F1.
4. Follow the instructions on the screen.

## Configuration/Setup Utility menu choices

The following choices are on the Configuration/Setup Utility main menu. Depending on the version of the BIOS code in the blade server, some menu choices might differ slightly from these descriptions.

- System Summary
- System Information
  - Product Data
- Devices and I/O Ports
- Date and Time
- System Security
- Start Options
- Advanced Setup
  - Memory Settings
  - CPU Options
  - PCI Bus Control
  - Baseboard Management Controller (BMC) Settings
- Save Settings
- Restore Settings
- Load Default Settings
- Exit Setup

## Using passwords

From the **System Security** choice, you can set, change, and delete a power-on password.

If you set a power-on password, you must type the power-on password to complete the system startup, and to have access to the full Configuration/Setup Utility menu.

You can use any combination of up to seven characters (A–Z, a–z, and 0–9) for the password. Keep a record of the password in a secure place.

If you forget the power-on password, you can regain access to the blade server by completing the following steps:

1. Shut down the operating system, turn off the blade server, and remove the blade server from the BladeCenter unit.
2. Remove the blade server battery and then reinstall it (see “Battery” on page 76).
3. Reinstall the blade server in the BladeCenter unit.

---

## Configuring the Gigabit Ethernet controllers

Two Ethernet controllers are integrated on the blade server system board. Each controller provides a 1-Gbps full-duplex interface for connecting to one of the Ethernet-compatible switch modules in I/O module bays 1 and 2, which enables simultaneous transmission and reception of data on the Ethernet local area network (LAN). Each Ethernet controller on the system board is routed to a different switch module in I/O module bay 1 or bay 2. The routing from Ethernet controller to I/O module bay will vary based on blade server type and the operating system that is installed. See “Blade server Ethernet controller enumeration” on page 89 for information about how to determine the routing from Ethernet controller to I/O module bay for your blade server.

**Note:** Other types of blade servers, such as the BladeCenter HS20 Type 8678 blade server, that are installed in the same BladeCenter unit as this LS20 Type 8850 blade server might have different Ethernet controller routing. See the documentation that comes with the other blade servers for detailed information.

You do not have to set any jumpers or configure the controllers for the blade server operating system. However, you must install a device driver to enable the blade server operating system to address the Ethernet controllers. For device drivers and information about configuring the Ethernet controllers, see the *Broadcom NetXtreme Gigabit Ethernet Software* CD that comes with the blade server. For updated information about configuring the controllers, go to the IBM Support Web site at <http://www.ibm.com/pc/support/>.

The Ethernet controllers support failover, which provides automatic redundancy for the Ethernet controllers. Without failover, you can have only one Ethernet controller from each server attached to each virtual LAN or subnet. With failover, you can configure more than one Ethernet controller from each server to attach to the same virtual LAN or subnet. Either one of the integrated Ethernet controllers can be configured as the primary Ethernet controller. If you have configured the controllers for failover and the primary link fails, the secondary controller takes over. When the primary link is restored, the Ethernet traffic switches back to the primary Ethernet controller. (See your operating system device driver documentation for information about configuring for failover.)

**Important:** To support failover on the blade server Ethernet controllers, the Ethernet switch modules in the BladeCenter unit must have identical configurations.

---

## Blade server Ethernet controller enumeration

The enumeration of the Ethernet controllers in a blade server is operating-system dependent. You can verify the Ethernet controller designations a blade server uses through the operating-system settings.

The routing of an Ethernet controller to a particular I/O-module bay depends on the type of blade server. You can verify which Ethernet controller is routed to which I/O-module bay by using the following test:

1. Install only one Ethernet switch module or pass-thru module in I/O-module bay 1.
2. Make sure that the ports on the switch module or pass-thru module are enabled (**I/O Module Tasks > Management > Advanced Management** in the management module Web-based user interface).
3. Enable only one of the Ethernet controllers on the blade server. Note the designation the blade server operating system has for the controller.
4. Ping an external computer on the network connected to the switch module. If you can ping the external computer, the Ethernet controller that you enabled is associated with the switch module in I/O-module bay 1. The other Ethernet controller in the blade server is associated with the switch module in I/O-module bay 2.

If you have installed an expansion card on a blade server, communications from the option are routed to I/O-module bays 3 and 4, if these bays are supported by your BladeCenter unit type. You can verify which controller on the card is routed to which I/O-module bay by performing the same test and using a controller on the expansion card and a compatible switch module or pass-thru module in I/O-module bay 3 or 4.

---

## Configuring a SCSI RAID

**Note:** Configuring a SCSI RAID only applies to a blade server that has two SCSI hard disk drives installed.

You can configure a SCSI redundant array of independent disks (RAID) array for your blade server. Two SCSI hard disk drives in the blade server can be used to implement and manage a RAID level-1 (mirror) array under operating systems that are listed on the ServerProven list at <http://www.ibm.com/pc/compat/>. For information about this function, see the *Installation and User's Guide*.

**Important:** You must create the RAID array *before* you install the operating system on the blade server.





---

## Appendix A. Getting help and technical assistance

If you need help, service, or technical assistance or just want more information about IBM products, you will find a wide variety of sources available from IBM to assist you. This appendix contains information about where to go for additional information about IBM and IBM products, what to do if you experience a problem with your system or optional device, and whom to call for service, if it is necessary.

---

### Before you call

Before you call, make sure that you have taken these steps to try to solve the problem yourself:

- Check all cables to make sure that they are connected.
- Check the power switches to make sure that the system and any optional devices are turned on.
- Use the troubleshooting information in your system documentation, and use the diagnostic tools that come with your system. Information about diagnostic tools is in the *Hardware Maintenance Manual and Troubleshooting Guide* or *Problem Determination and Service Guide* on the IBM Documentation CD that comes with your system.

**Note:** For some IntelliStation models, the *Hardware Maintenance Manual and Troubleshooting Guide* is available only from the IBM support Web site.

- Go to the IBM support Web site at <http://www.ibm.com/servers/eserver/support/xseries/index.html> to check for technical information, hints, tips, and new device drivers or to submit a request for information.

You can solve many problems without outside assistance by following the troubleshooting procedures that IBM provides in the online help or in the documentation that is provided with your IBM product. The documentation that comes with IBM systems also describes the diagnostic tests that you can perform. Most systems, operating systems, and programs come with documentation that contains troubleshooting procedures and explanations of error messages and error codes. If you suspect a software problem, see the documentation for the operating system or program.

---

### Using the documentation

Information about your IBM system and preinstalled software, if any, or optional device is available in the documentation that comes with the product. That documentation can include printed documents, online documents, readme files, and help files. See the troubleshooting information in your system documentation for instructions for using the diagnostic programs. The troubleshooting information or the diagnostic programs might tell you that you need additional or updated device drivers or other software. IBM maintains pages on the World Wide Web where you can get the latest technical information and download device drivers and updates. To access these pages, go to <http://www.ibm.com/servers/eserver/support/xseries/index.html> and follow the instructions. Also, some documents are available through the IBM Publications Center at <http://www.ibm.com/shop/publications/order/>.

---

## Getting help and information from the World Wide Web

On the World Wide Web, the IBM Web site has up-to-date information about IBM systems, optional devices, services, and support. The address for IBM System x and xSeries information is <http://www.ibm.com/systems/x/>. The address for IBM IntelliStation information is <http://www.ibm.com/intellistation/>.

You can find service information for IBM systems and optional devices at <http://www.ibm.com/servers/eserver/support/xseries/index.html>.

---

## Software service and support

Through IBM Support Line, you can get telephone assistance, for a fee, with usage, configuration, and software problems with System x and xSeries servers, BladeCenter products, IntelliStation workstations, and appliances. For information about which products are supported by Support Line in your country or region, see <http://www.ibm.com/services/sl/products/>.

For more information about Support Line and other IBM services, see <http://www.ibm.com/services/>, or see <http://www.ibm.com/planetwide/> for support telephone numbers. In the U.S. and Canada, call 1-800-IBM-SERV (1-800-426-7378).

---

## Hardware service and support

You can receive hardware service through IBM Services or through your IBM reseller, if your reseller is authorized by IBM to provide warranty service. See <http://www.ibm.com/planetwide/> for support telephone numbers, or in the U.S. and Canada, call 1-800-IBM-SERV (1-800-426-7378).

In the U.S. and Canada, hardware service and support is available 24 hours a day, 7 days a week. In the U.K., these services are available Monday through Friday, from 9 a.m. to 6 p.m.

---

## Appendix B. Notices

This information was developed for products and services offered in the U.S.A.

IBM may not offer the products, services, or features discussed in this document in other countries. Consult your local IBM representative for information on the products and services currently available in your area. Any reference to an IBM product, program, or service is not intended to state or imply that only that IBM product, program, or service may be used. Any functionally equivalent product, program, or service that does not infringe any IBM intellectual property right may be used instead. However, it is the user's responsibility to evaluate and verify the operation of any non-IBM product, program, or service.

IBM may have patents or pending patent applications covering subject matter described in this document. The furnishing of this document does not give you any license to these patents. You can send license inquiries, in writing, to:

*IBM Director of Licensing  
IBM Corporation  
North Castle Drive  
Armonk, NY 10504-1785  
U.S.A.*

INTERNATIONAL BUSINESS MACHINES CORPORATION PROVIDES THIS PUBLICATION "AS IS" WITHOUT WARRANTY OF ANY KIND, EITHER EXPRESS OR IMPLIED, INCLUDING, BUT NOT LIMITED TO, THE IMPLIED WARRANTIES OF NON-INFRINGEMENT, MERCHANTABILITY OR FITNESS FOR A PARTICULAR PURPOSE. Some states do not allow disclaimer of express or implied warranties in certain transactions, therefore, this statement may not apply to you.

This information could include technical inaccuracies or typographical errors. Changes are periodically made to the information herein; these changes will be incorporated in new editions of the publication. IBM may make improvements and/or changes in the product(s) and/or the program(s) described in this publication at any time without notice.

Any references in this information to non-IBM Web sites are provided for convenience only and do not in any manner serve as an endorsement of those Web sites. The materials at those Web sites are not part of the materials for this IBM product, and use of those Web sites is at your own risk.

IBM may use or distribute any of the information you supply in any way it believes appropriate without incurring any obligation to you.

---

### Edition notice

**© Copyright International Business Machines Corporation 2005. All rights reserved.**

U.S. Government Users Restricted Rights — Use, duplication, or disclosure restricted by GSA ADP Schedule Contract with IBM Corp.

---

## Trademarks

The following terms are trademarks of International Business Machines Corporation in the United States, other countries, or both:

Active Memory	ServeRAID
Active PCI	ServerGuide
Active PCI-X	ServerProven
Alert on LAN	TechConnect
BladeCenter	ThinkPad
C2T Interconnect	Tivoli
Chipkill	Tivoli Enterprise
EtherJet	Update Connector
FlashCopy	Wake on LAN
IBM	XA-32
IBM (logo)	XA-64
IntelliStation	X-Architecture
NetBAY	XceL4
Netfinity	XpandOnDemand
NetView	xSeries
Predictive Failure Analysis	OS/2 WARP

Intel, MMX, and Pentium are trademarks of Intel Corporation in the United States, other countries, or both.

Microsoft, Windows, and Windows NT are trademarks of Microsoft Corporation in the United States, other countries, or both.

UNIX is a registered trademark of The Open Group in the United States and other countries.

Java and all Java-based trademarks and logos are trademarks of Sun Microsystems, Inc. in the United States, other countries, or both.

Adaptec and HostRAID are trademarks of Adaptec, Inc., in the United States, other countries, or both.

Linux is a trademark of Linus Torvalds in the United States, other countries, or both.

Red Hat, the Red Hat "Shadow Man" logo, and all Red Hat-based trademarks and logos are trademarks or registered trademarks of Red Hat, Inc., in the United States and other countries.

Other company, product, or service names may be trademarks or service marks of others.

---

## Important notes

Processor speeds indicate the internal clock speed of the microprocessor; other factors also affect application performance.

CD-ROM drive speeds list the variable read rate. Actual speeds vary and are often less than the maximum possible.

When referring to processor storage, real and virtual storage, or channel volume, KB stands for approximately 1000 bytes, MB stands for approximately 1 000 000 bytes, and GB stands for approximately 1 000 000 000 bytes.

When referring to hard disk drive capacity or communications volume, MB stands for 1 000 000 bytes, and GB stands for 1 000 000 000 bytes. Total user-accessible capacity may vary depending on operating environments.

Maximum internal hard disk drive capacities assume the replacement of any standard hard disk drives and population of all hard disk drive bays with the largest currently supported drives available from IBM.

Maximum memory may require replacement of the standard memory with an optional memory module.

IBM makes no representation or warranties regarding non-IBM products and services that are ServerProven, including but not limited to the implied warranties of merchantability and fitness for a particular purpose. These products are offered and warranted solely by third parties.

IBM makes no representations or warranties with respect to non-IBM products. Support (if any) for the non-IBM products is provided by the third party, not IBM.

Some software may differ from its retail version (if available), and may not include user manuals or all program functionality.

---

## Product recycling and disposal

This unit contains materials such as circuit boards, cables, electromagnetic compatibility gaskets, and connectors which may contain lead and copper/beryllium alloys that require special handling and disposal at end of life. Before this unit is disposed of, these materials must be removed and recycled or discarded according to applicable regulations. IBM offers product-return programs in several countries. Information on product recycling offerings can be found on IBM's Internet site at <http://www.ibm.com/ibm/environment/products/prp.shtml>.

IBM encourages owners of information technology (IT) equipment to responsibly recycle their equipment when it is no longer needed. IBM offers a variety of programs and services to assist equipment owners in recycling their IT products. Information on product recycling offerings can be found on IBM's Internet site at <http://www.ibm.com/ibm/environment/products/prp.shtml>.

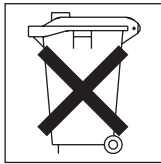
---

## Battery return program

This product may contain a sealed lead acid, nickel cadmium, nickel metal hydride, lithium, or lithium ion battery. Consult your user manual or service manual for specific battery information. The battery must be recycled or disposed of properly. Recycling facilities may not be available in your area. For information on disposal of batteries outside the United States, go to <http://www.ibm.com/ibm/environment/products/batteryrecycle.shtml> or contact your local waste disposal facility.

In the United States, IBM has established a return process for reuse, recycling, or proper disposal of used IBM sealed lead acid, nickel cadmium, nickel metal hydride, and battery packs from IBM equipment. For information on proper disposal of these batteries, contact IBM at 1-800-426-4333. Have the IBM part number listed on the battery available prior to your call.

In the Netherlands, the following applies.



For Taiwan: Please recycle batteries.



---

# Index

## A

- assertion event, BMC log 18
- attention notices 2

## B

- battery
  - connector 7
  - replacing 76
- battery, replacing 76
- beep code errors 9
- bezel assembly
  - installing 66
  - removing 66
- BIOS update failure recovery 49
- blade server
  - installing 62
  - removing 61
- blade server cover
  - closing 65
  - opening 64
- BMC error codes 50
- BMC error log
  - viewing from Configuration/Setup Utility 18
  - viewing from diagnostic programs 18
- BMC event log 18
- BMC log
  - assertion event, deassertion event 18
  - default timestamp 17
  - navigating 17
  - size limitations 17
- buttons
  - CD/diskette/USB 5
  - control panel 4
  - keyboard/video/mouse 4
  - power-control 5

## C

- caution statements 2
- CD drive problems 28
- checkout procedure
  - about 26
  - performing 27
- closing the blade server cover 65
- components
  - system board 7
- configuration
  - Configuration/Setup Utility 85, 86
  - minimum 51
  - ServerGuide Setup and Installation CD 85
- Configuration/Setup Utility program 85, 86
- configuring the blade server 86
- configuring your server 85
- connectors
  - battery 7
  - I/O expansion card 7

- connectors (*continued*)
  - memory 7
  - microprocessor 7
  - SCSI 7
  - system board 7
- control panel, buttons and LEDs 4
- controller
  - Ethernet 88
- controller enumeration 89
- cover
  - closing 65
  - opening 64

## D

- danger statements 2
- daughter card
  - I/O expansion card 72
- deassertion event, BMC log 18
- diagnostic
  - error codes 45
  - programs, overview 43
  - programs, starting 43
  - test log, viewing 45
  - text message format 44
  - tools, overview 9
- DIMM.
  - See memory modules
- diskette drive
  - problems 29
- display problems 33
- documentation, online 1
- drive
  - internal, installing 68
  - internal, removing 67
- DVD drive problems 28

## E

- environment 3
- error codes and messages
  - beep 9
  - diagnostic 45
  - POST/BIOS 19
  - SCSI 50
- error LEDs 40
- error log
  - entries 5
- error logs 17
  - BMC event 18
  - BMC system event log 17
  - Management-module event log 17
  - viewing 18
- error symptoms
  - CD drive, DVD drive 28
  - general 29
  - hard disk drive 30

- error symptoms (*continued*)
  - intermittent 30
  - microprocessor 32
  - monitor 33
  - optional devices 35
  - ServerGuide 38
  - software 39
  - USB port 39
  - video 33
- errors
  - BMC 50
  - format, diagnostic code 44
  - light path LEDs 42
  - messages, diagnostic 43
  - service processor 50
- Ethernet controller
  - configuring 88
  - enumeration 89
  - failover 88
  - redundant network connection 88

## F

- filler
  - blade 61
  - microprocessor heat sink 60
- firmware updates 85
- firmware, updating 85
- forgotten power-on password, bypassing 87

## H

- hard disk drive
  - problems 30

## I

- I/O expansion card
  - daughter card 72
- important notices 2
- install blade server 62
- installing
  - bezel assembly 66
  - I/O expansion card 72
  - memory modules 71
  - microprocessor 81
  - SCSI hard disk drive 68
  - small-form-factor expansion card 73
  - standard-form-factor expansion card 75
- integrated functions 3
- intermittent problems 30

## J

- jumpers, system board 7

## K

- keyboard problems 31

## L

- LEDs
  - activity 5
  - blade-error 5
  - control panel 4
  - error, locations 40
  - information 5
  - light path diagnostics, viewing without power 40
  - light path, locations 40
  - location 5
  - power-on 5
  - system board 8
- light path diagnostics 40
- light path diagnostics LEDs 42
- light path diagnostics panel 8
- light path LED locations 40
- logs
  - BMC system event 17
  - Management module event 17
- LS20 Type 8850
  - non-NEBS/ETSI environment specifications 3
- LSI logic configuration utility program
  - description 86

## M

- memory
  - configuration changes 69
  - specifications 3
- memory module
  - specifications 3
  - supported 3, 69
- memory modules
  - installing 71
  - removing 70
- memory problems 32
- messages
  - diagnostic 43
- microprocessor
  - heat sink 83
  - installing 81
  - problems 32
  - removal 78
  - removal guidelines 78
  - specifications 3
- minimum configuration 51
- monitor problems 33
- mouse problems 31

## N

- network connection problems 34
- no beep symptoms 16
- notes 2
- notes, important 95
- notices and statements 2



## O

- online documentation 1
- opening the blade server cover 64
- optional device problems 35

## P

- parts listing 54
- password
  - power-on 87
- pointing device problems 31
- POST
  - about 9
  - error log 18
- POST/BIOS error codes 19
- power problems 37
- power-on password 87
- power-on password, overriding 87
- problems
  - CD, DVD drive 28
  - diskette drive 29
  - general 29
  - hard disk drive 30
  - intermittent 30
  - keyboard 31
  - memory 32
  - microprocessor 32
  - monitor 33
  - mouse 31
  - network connection 34
  - optional devices 35
  - pointing device 31
  - POST/BIOS 19
  - power 37
  - power-on password, forgotten 87
  - ServerGuide 38
  - service processor 39
  - software 39
  - undetermined 50
  - USB port 39
  - video 33
- publications 1

## R

- remove blade server 61
- removing
  - blade bezel assembly 66
  - I/O expansion card 72
  - memory modules 70
  - microprocessor 78
  - SCSI hard disk drive 67
  - small-form-factor expansion card 72
  - standard-form-factor expansion card 74
- replacing
  - battery 76
  - microprocessor 78
  - system board assembly 84

## S

- SCSI error messages 50
- SCSI hard disk drive
  - installing 68
  - removing 67
- SCSI RAID
  - configure an array 89
- ServerGuide
  - problems 38
  - Setup and Installation CD 85
- service processor error codes 50
- service processor problems 39
- service, calling for 51
- small-form-factor expansion card
  - installing 73
  - removing 72
- software problems 39
- specifications
  - LS20 in a non-NEBS/ETSI environment 3
- standard-form-factor expansion card
  - installing 75
  - removing 74
- starting the blade server 6
- statements and notices 2
- stopping the blade server 6
- system board
  - connectors 7
  - jumpers 7
  - LEDs 8
- system board assembly
  - replacement 84
- system board layouts 7
- system reliability 60

## T

- test log, viewing 45
- thermal material
  - heat sink 83
- tools, diagnostic 9
- trademarks 94
- troubleshooting tables 27
- turning off the blade server 6
- turning on the blade server 6

## U

- undetermined problems 50
- Universal Serial Bus (USB) problems 39
- update failure, BIOS 49
- updating firmware 85
- updating the firmware 85
- utility
  - Configuration/Setup program, using 86
  - Configuration/Setup Utility program 86

## V

- video problems 33
  - See monitor problems





Part Number: 49Y0167

Printed in USA

(1P) P/N: 49Y0167

