



IBM BladeCenter S
Type 7779/8886
Planning Guide





IBM BladeCenter S
Type 7779/8886
Planning Guide

Note

Note: Before using this information and the product it supports, read the general information in Notices; and read the *IBM Safety Information* and the *IBM Systems Environmental Notices and User Guide* on the *IBM Documentation CD*.

Ninth Edition (July 2013)

© Copyright IBM Corporation 2007, 2013.

US Government Users Restricted Rights – Use, duplication or disclosure restricted by GSA ADP Schedule Contract with IBM Corp.

Contents

Chapter 1. Introduction 1

Related documentation	2
The IBM BladeCenter Documentation CD.	3
Notices and statements in this document	4
Features and specifications.	5
Components of the BladeCenter S system.	6
Front view of the BladeCenter S chassis	6
Rear view of the BladeCenter S chassis	14
Systems and storage management	23
IBM Director	23
Storage Configuration Manager.	24

Chapter 2. Planning for the physical environment 25

Dimensions	25
Weight considerations	25
Floor space	25
Rack requirements	26
IBM and non-IBM racks	27
Noise considerations	28
Power considerations	28
Power source requirements	29
Power consumption guidelines	29
Power management policies	30
Power allocation guidelines	31
Power attachment diagrams	32
Cooling considerations	35
Air temperature and humidity	35
Airflow considerations.	36
Heat output	36
Prevention of air recirculation	36
Room cooling.	36

Chapter 3. Planning for deployment 39

Network topology	39
Deployment of the BladeCenter S system	40
Hardware for the BladeCenter S system	40
Deployment tools	42
Management connection	43
Deployment of blade servers	44
Hardware considerations for blade servers	44
Operating system considerations	45
Application considerations	46

Chapter 4. Planning for configuration 47

Configuration tools	47
BladeCenter Open Fabric Manager	47
Storage Configuration Manager for the BladeCenter S system	47
Keyboard, video, and mouse	48
Planning for advanced management module configuration	48
Advanced management module general settings	48
Advanced management module user profile settings.	49

Advanced management module alert settings	50
Advanced management module serial port settings.	50
Advanced management module port assignments	51
Advanced management module network interface settings.	51
Advanced management module network protocols settings	51
Advanced management module security settings	52
Ethernet switch module configuration planning	52
Planning for SAS connectivity module zoning	53
User-defined configurations	54
Predefined configurations	55
Planning for SAS RAID controller module	66
Defining storage pools.	66
Defining volumes	68
Zone for SAS RAID controller modules	68
Replacing SAS connectivity modules with SAS RAID controller modules	68

Appendix A. Installation planning worksheets 71

Blade server and workstation blade installation worksheet	71
BladeCenter S Types 7779 and 8886 installation worksheet	85
Rack installation worksheet	87
Cabling worksheet	89
Power worksheet	91

Appendix B. Configuration planning worksheets 93

Advanced management module configuration worksheet	93
SAS connectivity module configuration worksheet	101
SAS RAID controller module configuration worksheet	103

Appendix C. Parts listing 105

Front view parts listing	105
Rear view parts listing	106
Power cords - C14 power module	107
Power cords - C20 power module	109

Notices 113

Trademarks	114
Important notes	114
Particulate contamination	115
Documentation format	116
Telecommunication regulatory statement	116
Electronic emission notices	116
Federal Communications Commission (FCC) statement.	117

Industry Canada Class A emission compliance statement	117
Avis de conformité à la réglementation d'Industrie Canada	117
Australia and New Zealand Class A statement	117
European Union EMC Directive conformance statement	117
Germany Class A statement	118
Japan VCCI Class A statement	119
Japan Electronics and Information Technology Industries Association (JEITA) statement . . .	119
Japan Electronics and Information Technology Industries Association (JEITA) statement . . .	119

Korea Communications Commission (KCC) statement	119
Russia Electromagnetic Interference (EMI) Class A statement	120
People's Republic of China Class A electronic emission statement	120
Taiwan Class A compliance statement	120

Index 121

Chapter 1. Introduction

The BladeCenter S Type 8886 is a high-density, high-performance rack-mounted server system. It supports up to six blade servers that can share common resources, such as power, cooling, management, and I/O resources within a single BladeCenter S chassis. In addition, it provides support for up to twelve 3.5-inch, hot-swappable SAS or SATA hard disk drives or twenty-four 2.5-inch, hot-swappable SAS hard disk drives.

The BladeCenter S system provides the following features:

- **IBM® Enterprise X-Architecture Technology**

IBM Enterprise X-Architecture Technology leverages proven innovative IBM technologies to build powerful, scalable, and reliable blade servers. It provides features such as IBM Predictive Failure Analysis (PFA) and real-time diagnostics.

- **Server expansion capabilities**

You can add up to six blade servers to the BladeCenter S chassis. Some blade servers have connectors for additional optional devices that you can use to add capabilities to the blade server. For example, you can connect either a storage expansion unit or a PCI expansion unit to a blade server. Alternatively, you can add optional I/O expansion cards to add network interfaces or storage through I/O modules. SAS expansion cards provide access through SAS connectivity modules or SAS RAID controller modules that are installed in I/O bays 3 and 4 to the hard disk drives in the BladeCenter S chassis.

Note: SAS connectivity modules support the use of SAS or SATA hard disk drives. SAS RAID controller modules support the use of SAS hard disk drives only.

- **Hot-swap capabilities**

Bays in the BladeCenter S chassis are hot-swappable. For example, you can add, remove, or replace a blade server or a SAS or SATA hard disk drive without removing power from the BladeCenter S chassis.

The midplane provides hot-pluggable connectors for the following components:

- Six blade servers
- Four I/O modules
- One advanced management module
- One serial pass-thru module
- Four power modules
- Four fan modules
- Two disk storage modules
- One media tray

- **High-availability design**

Components in the BladeCenter S system enable continued operation if one of the components fails:

- **Power modules.** In normal operation, the power modules provide power to share the system load. If a power module fails, the working power modules can continue to handle the entire load. You can replace a power module without shutting down the BladeCenter S system.

Note: The power management policy that you have implemented for the BladeCenter S system determines the result of a power module failure.

Power modules also provide cooling fans for the disk storage modules. Therefore, if you are using disk storage module 1, you must install power modules 1 and 2. If you are using disk storage module 2, you must install power modules 3 and 4.

- **Fan modules.** In normal operation, fan modules share the cooling in the BladeCenter S system. If one fan module fails, the other three fan modules handle the entire load. You can replace a fan module without shutting down the BladeCenter S system.
- **BladeCenter S system midplane.** The midplane has the following characteristics:
 - Redundant high-speed serialize/deserialize (SERDES) interconnects between blade servers and switches
 - I2C communication between the advanced management module and all modules (except blade servers)
 - RS-485 (EIA 485) communication between the advanced management module and blade servers
 - Analog video connectors from the blade servers to the advanced management module
 - USB connections between the blade servers and the advanced management module

- **Systems management**

The advanced management module is used to communicate with the service processor in each blade server to provide system monitoring, event recording, and alerts. You can manage the BladeCenter S chassis, its devices, and the blade servers remotely.

Related documentation

In addition to this document, the following related documentation is provided in Portable Document Format (PDF) on the IBM *BladeCenter Documentation* CD that comes with your BladeCenter S chassis.

Note: The latest and most up-to-date product information for the BladeCenter S Types 7779 and 8886 can be found at the IBM Systems Information Center, which at <http://publib.boulder.ibm.com/infocenter/systems/index.jsp>. To access the BladeCenter S system documentation from this site, click **Systems hardware > BladeCenter information > Chassis > BladeCenter S (8886)**.

In addition to the product documentation, online education is also available at this location.

- *BladeCenter S Types 7779 and 8886 Installation and User's Guide*

This document contains information about setting up and configuring your BladeCenter S Types 7779 and 8886 and its components.

- *BladeCenter S Types 7779 and 8886 Problem Determination and Service Guide*

This document contains information for troubleshooting your BladeCenter S system and solving problems.

- *Serial over LAN Setup Guide*

This guide provides detailed Serial over LAN configuration information for your BladeCenter S system.

- *Safety Information*

This document contains translated caution and danger statements. Each caution and danger statement in the documentation has a number that you can use to locate the corresponding statement in your language in the *Safety Information* document.

- *Warranty and Support*

This document contains information about the terms of the warranty and getting service and assistance.

Additional documentation might be included on the IBM *BladeCenter Documentation* CD.

The BladeCenter S chassis might have features that are not described in the documentation that comes with the BladeCenter S chassis. The documentation might be updated occasionally to include information about those features, or technical updates might be available to provide additional information that is not included in the BladeCenter documentation. These updates are available from the IBM Web site. To check for updated documentation, go to <http://publib.boulder.ibm.com/infocenter/bladectr/documentation/index.jsp>.

The IBM BladeCenter Documentation CD

The IBM *BladeCenter Documentation* CD contains documentation for your BladeCenter S chassis in Portable Document Format (PDF) and includes the IBM Documentation Browser to help you find information quickly.

Hardware and software requirements

The IBM *BladeCenter Documentation* CD requires the following minimum hardware and software:

- Microsoft Windows NT XP, Windows 2000, or Red Hat Linux
- 100 MHz microprocessor
- 32 MB RAM
- Adobe Acrobat Reader 3.0 (or later) or xpdf, which comes with Linux operating systems

Using the Documentation CD

Use the Documentation Browser to browse the contents of the CD, read brief descriptions of the documents, and view documents, using Adobe Acrobat Reader or xpdf. The Documentation Browser automatically detects the regional settings in use in your system and presents the information in the language for that region (if available). If a topic is not available in the language for that region, the English-language version is displayed.

Use one of the following procedures to start the Documentation Browser:

- If Autostart is enabled, insert the CD into the DVD drive. The Documentation Browser starts automatically.
- If Autostart is disabled or is not enabled for all users:
 - If you are using a Windows operating system, insert the CD into the DVD drive, and click **Start > Run**. In the **Open** field, type:
`e:\win32.bat`
where *e* is the drive letter of your DVD drive, and click **OK**.

- If you are using a Red Hat Linux, insert the CD into the DVD drive; then, run the following command from the /mnt/cdrom directory:
sh runlinux.sh

Select your BladeCenter S chassis from the **Product** menu. The **Available Topics** list displays all the documents for your BladeCenter product. Some documents might be in folders. A plus sign (+) indicates each folder or document that has additional topics under it. Click the plus sign to display the additional documents.

When you select a document, a description of the document appears under **Topic Description**. To select more than one document, press and hold the Ctrl key while you select the documents. Click **View Book** to view the selected document or documents in Acrobat Reader or xpdf. If you selected more than one document, all the selected documents are opened in Acrobat Reader or xpdf.

To search all the documents, type a word or word string in the **Search** field and click **Search**. The documents in which the word or word string appears are listed in order of the most occurrences. Click a document to view it, and press Ctrl+F to use the Acrobat search function, or press Alt+F to use the xpdf search function within the document.

Click **Help** for detailed information about using the Documentation Browser.

Notices and statements in this document

The caution and danger statements in this document are also in the multilingual *Safety Information* document, which is on the IBM *BladeCenter Documentation* CD. Each statement is numbered for reference to the corresponding statement in your language in the *Safety Information* document.

The following notices and statements are used in this document:

- **Note:** These notices provide important tips, guidance, or advice.
- **Important:** These notices provide information or advice that might help you avoid inconvenient or problem situations.
- **Attention:** These notices indicate potential damage to programs, devices, or data. An attention notice is placed just before the instruction or situation in which damage might occur.
- **Caution:** These statements indicate situations that can be potentially hazardous to you. A caution statement is placed just before the description of a potentially hazardous procedure step or situation.
- **Danger:** These statements indicate situations that can be potentially lethal or extremely hazardous to you. A danger statement is placed just before the description of a potentially lethal or extremely hazardous procedure step or situation.

Features and specifications

The following table provides a summary of the features and specifications of the BladeCenter S chassis.

<p>Media tray (on front):</p> <ul style="list-style-type: none"> • One DVD drive (can be either a CD-RW/DVD-ROM or DVD/RW drive) • Two USB v2.0 ports • Front system LED panel • Two battery backup unit bay locations, which support the SAS RAID controller modules <p>Blade bays (on front): Six hot-swap blade server bays</p> <p>Disk storage module bays (on front): Two storage bays, each containing up to six 3.5-inch disk drive bays or twelve 2.5-inch disk drive bays.</p> <p>Module bays (on rear):</p> <ul style="list-style-type: none"> • One hot-swap advanced management module bay • Four hot-swap power module bays • Four hot-swap fan module bays • Four hot-swap I/O module bays • One hot-swap serial pass-thru module bay <p>Power modules:</p> <ul style="list-style-type: none"> • Minimum: Two hot-swap power modules. • Maximum: Four hot-swap power modules <p>Cooling:</p> <p>Four variable-speed, hot-swap fan modules</p> <p>Two fans in each power supply cool the disk storage modules</p> <p>Management module:</p> <ul style="list-style-type: none"> • One hot-swap advanced management module 	<p>Upgradeable microcode:</p> <ul style="list-style-type: none"> • Advanced management module firmware • I/O module firmware • Blade server firmware • Disk storage module firmware <p>Security features:</p> <ul style="list-style-type: none"> • Login password for remote connection • Secure Sockets Layer (SSL) security for remote management access • Lightweight Directory Access Protocol (LDAP) <p>Predictive Failure Analysis (PFA) alerts:</p> <ul style="list-style-type: none"> • Fan modules • Blade-dependent features <p>Size (7 U):</p> <ul style="list-style-type: none"> • Height: 306.3 mm (12 in.) • Depth: 733.4 mm (28.9 in.) • Width: 444 mm (17.5 in.) • Weight: <ul style="list-style-type: none"> – Fully configured weight with blade servers: approximately 108.86 kg (240 lb) – Empty chassis without modules or blade servers: approximately 40.82 kg (90 lb) 	<p>Environment:</p> <ul style="list-style-type: none"> • Air temperature: <ul style="list-style-type: none"> – BladeCenter S system on: <ul style="list-style-type: none"> - Altitude: 0 to 914 m (3000 ft) 10° to 35°C (50° to 95°F) - Altitude: 914 m to 2134 m (3000 ft to 7000 ft) 10° to 32°C (50° to 90°F) – BladeCenter S system off: -40° to 60°C (-40° to 140°F). • Humidity: 8% to 80% • Acoustics: declared sound power level: 6.3 to 6.8 bels <p>Electrical input:</p> <ul style="list-style-type: none"> • Sine-wave input (50 - 60 Hz single-phase) required • Input voltage (110 V ac): <ul style="list-style-type: none"> – Minimum: 100 Vrms – Maximum: 127 Vrms • Input voltage (220 V ac): <ul style="list-style-type: none"> – Minimum: 200 Vrms – Maximum: 240 Vrms <p>Heat output: Approximate heat output in British thermal units (BTU) per hour:</p> <ul style="list-style-type: none"> • Minimum configuration: 1365 Btu per hour (400 watts) • Maximum configuration: 11942 Btu per hour (3500 watts)
--	---	---

Components of the BladeCenter S system

BladeCenter S system components include an advanced management module, blade servers, I/O modules, disk storage modules, power modules, fan modules, a serial pass-thru module, and a media tray.

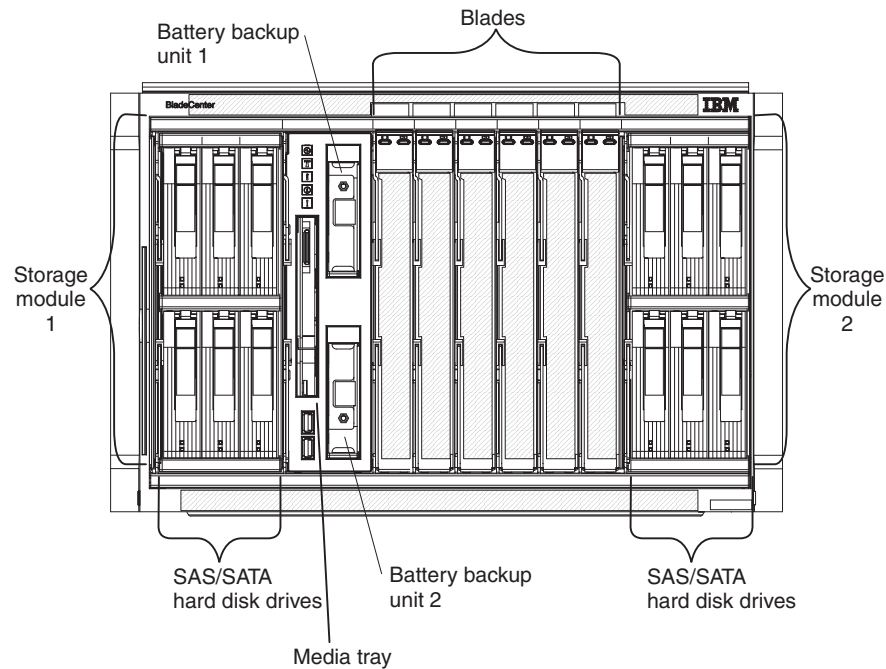
Front view of the BladeCenter S chassis

Blade servers, disk storage modules, and the media tray are installed in the front of the BladeCenter S chassis.

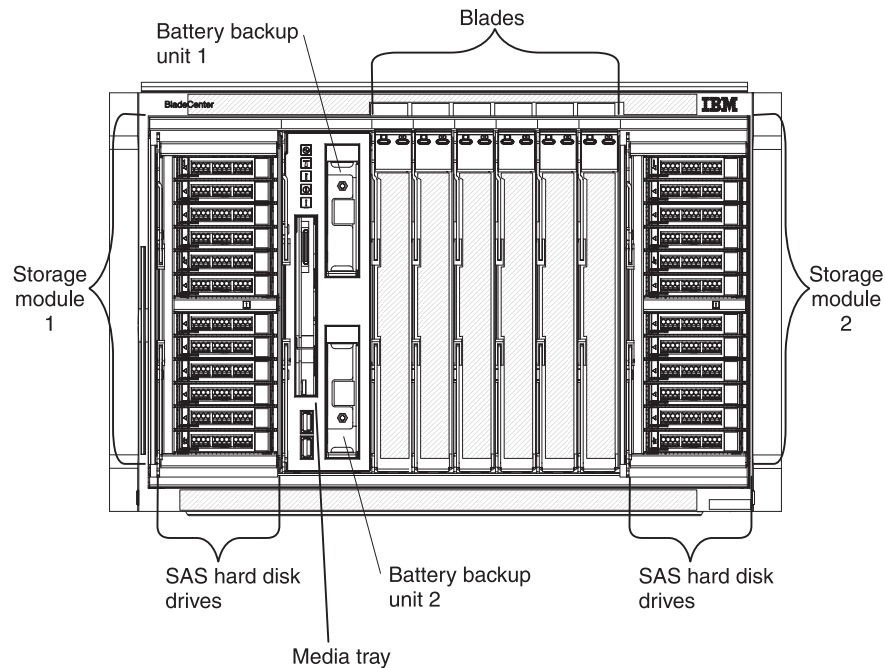
Note: For proper cooling, each bay in the BladeCenter S chassis must have either a device or a filler installed.

As the BladeCenter S chassis can support either 3.5-inch disk drives or 2.5-inch disk drives in the storage bays, the front view of the chassis can appear as either of the following.

3.5-inch disk drive configuration:



2.5-inch disk drive configuration:



Disk storage modules

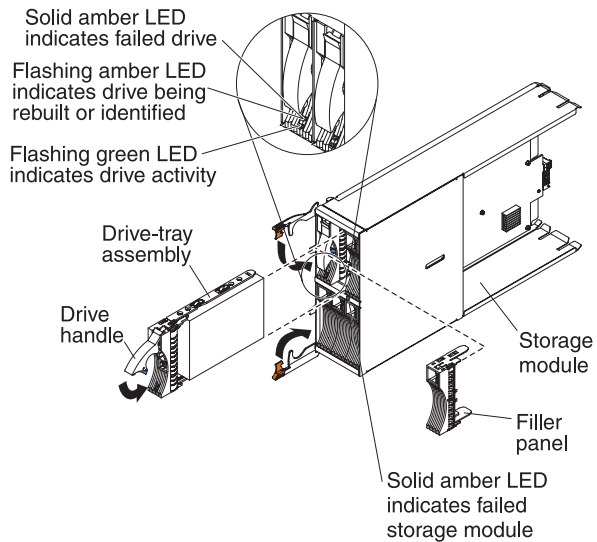
You can install a maximum of two disk storage modules in the BladeCenter S chassis and each disk storage module contains hot-swap hard disk drives. A disk storage module and the hard disk drives installed in that disk storage module are commonly referred to as *integrated shared storage* because this storage is integrated in the BladeCenter S chassis and shared among the blade servers in the BladeCenter S system.

Each disk storage module can support up to six hot-swap, 3.5-inch or twelve hot-swap, 2.5-inch hard disk drives. For 3.5-inch hard disk drives, if you are installing SAS connectivity modules, both SAS and SATA hard disk drives are supported, and you can use both types of hard disk drives in each disk storage module. If you are installing SAS RAID controller modules, you must install SAS hard disk drives. For 2.5-inch hard disk drives, please note that only SAS hard disk drives are supported. Thus, only SAS RAID controllers can be used.

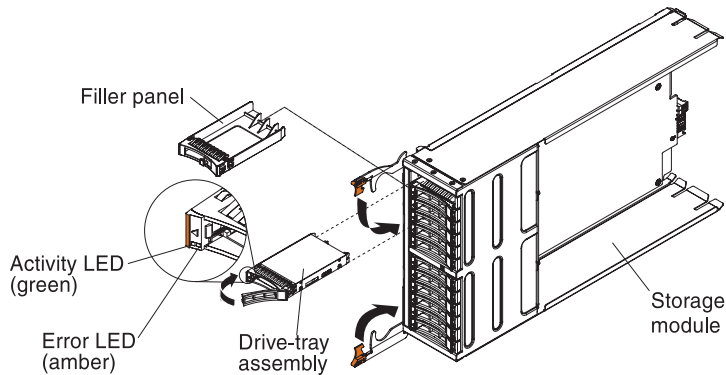
Within each disk storage module, hard disk drives are numbered either 1 through 6 from left to right, and top to bottom for the 3.5-inch hard disk drive configuration or 1 through 12 for the 2.5-inch hard disk drive configuration.

Note: Each hard disk drive bay must contain either a hard disk drive or a drive-bay filler.

Graphic showing close up of 6-disk disk storage module and indicators



Graphic showing close up of 12-disk disk storage module and indicators



Note: Four power modules are required in the BladeCenter S chassis if both disk storage modules are installed.

To access the hard disk drives in the disk storage module, the following devices must be installed:

- SAS I/O modules. For the 6-disk storage module, you can choose to install either SAS connectivity modules or SAS RAID controller modules. As for the 12-disk storage module, only the SAS RAID controller module can be installed.

Note: You cannot mix these module types in the same BladeCenter S chassis.

- SAS connectivity module. At least one SAS connectivity module must be installed. If a single SAS connectivity module is installed, it controls access to both disk storage modules in the BladeCenter S chassis. If two SAS connectivity modules are installed, the module in I/O module bay 3 controls access to disk storage module 1, and the module in I/O module bay 4 controls access to disk storage module 2.
- SAS RAID controller module. Two SAS RAID controller modules must be installed, one in I/O module bay 3 and the other in I/O module bay 4. Each SAS RAID controller module will have access to both storage modules (for high availability).

- A SAS expansion card in each of the blade servers, which provides access through the SAS I/O modules in I/O module bays 3 and 4 to the SAS or SATA hard disk drives in each disk storage module. This only applies to the 6-disk storage module.

There is one LED on each disk storage module:

Fault Solid (amber) when there is a disk storage module failure.

There are two LEDs on each hard disk drive:

Green Flashing when an operation, such as a read or a write, is being performed.

Amber

Flashing when the hard disk drive is being rebuilt (fast blink) or identified (slow blink).

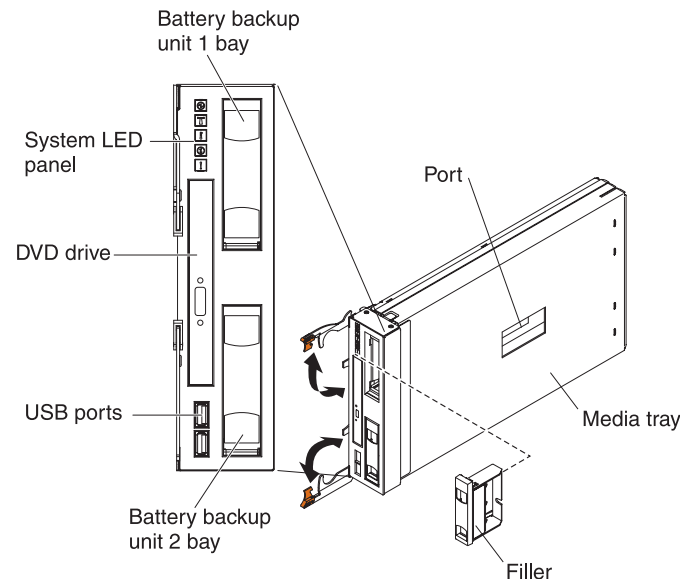
Note: When power is restored to the BladeCenter S chassis after a complete loss of power and you have implemented the hard disk drives as a mirrored array, the fault light will blink as the hard disk drive is being resynchronized.

This resynchronization occurs because the blade servers are attempting to power on before all of the disk storage modules and SAS connectivity modules or SAS RAID controller module are powered up and available. The mirrored array is accessible during resynchronization although performance may be slightly slower.

Solid when there is a drive failure.

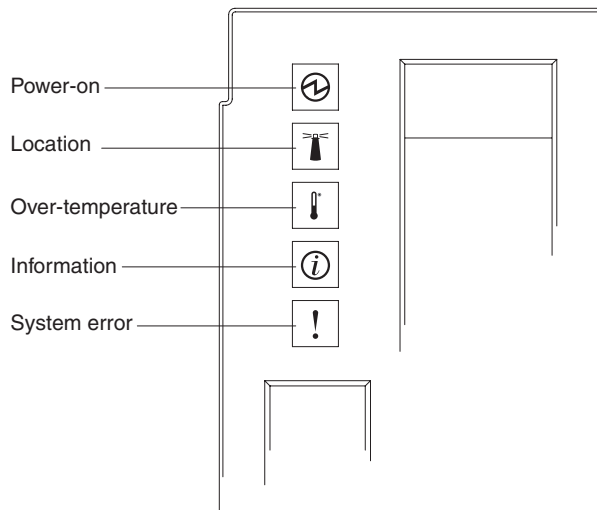
Media tray

The media tray contains the DVD drive (which can be either a CD-RW/DVD-ROM drive or a DVD/RW drive) and two USB v2.0 ports, which are shared by the blade servers. The media tray also contains two battery backup units, which provide backup for SAS RAID controller modules cache.



Note: The port on the side of the media tray is reserved for future use.

Controls and indicators



The media tray provides the following controls and indicators:

System LED panel

The LEDs on this panel provide status information for the BladeCenter S chassis.

Note: These LEDs are also displayed on the rear of the BladeCenter S chassis.

Power-on

Lit (green). Power is being supplied to the BladeCenter S chassis.

Off. The power subsystem, ac power, or the LED has failed.

Note: Even if the power-on LED is off, always remove the power cords from all power modules before you service the BladeCenter S chassis.

Location

Lit or flashing (blue). It has been turned on by the system administrator to aid in visually locating the BladeCenter S chassis. You can turn off the location LED through the Web interface or the IBM Director console.

Over-temperature

Lit (amber). The temperature in the BladeCenter S chassis exceeds the temperature limits, or a blade server reports an over-temperature condition. The BladeCenter S chassis might have already taken corrective action, such as increasing the fan speed. This LED turns off automatically when there is no longer an over-temperature condition.

Information

Lit (amber). A noncritical event has occurred that requires attention, such as the wrong I/O module being inserted into a bay, or power demands within the BladeCenter S chassis exceeding the capacity of the installed power modules.

You can turn off the information LED through the Web interface or the IBM Director console.

System error

Lit (amber). A system error has occurred, such as a module failure or a system error in a blade server. An LED on the failing component is also lit to assist in isolating the error.

DVD drive activity LED

Lit (green). The drive is in use.

DVD drive eject button

Press this button to open the DVD drive.

USB ports

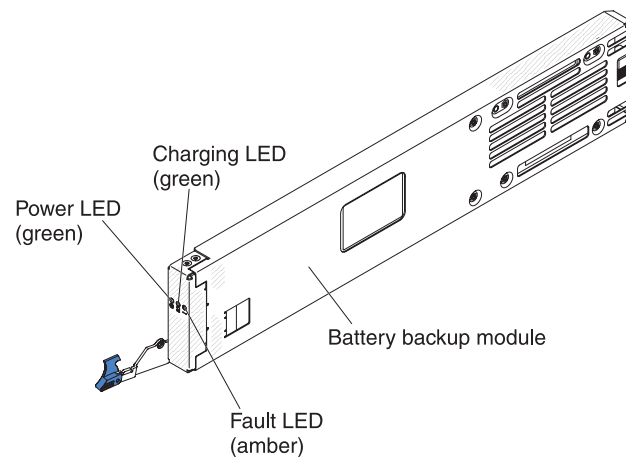
Connect USB devices to these ports.

Battery backup unit:

Battery backup units provide backup for SAS RAID controller modules cache.

Battery backup units are installed in the battery backup unit bays located in the media tray when you install SAS RAID controller modules. The battery backup unit in battery backup bay 1 provides backup support for the SAS RAID controller module in I/O module bay 3; the battery backup unit in battery backup bay 2 provides backup support for the SAS RAID controller module in I/O module bay 4.

Note: Both battery backup units are required if you install SAS RAID controller modules.



Controls and indicators

The battery backup unit provides the following indicators:

Power Lit (green). Power is being supplied to the battery backup unit.

Charging

Lit (green). The battery backup unit is being charged.

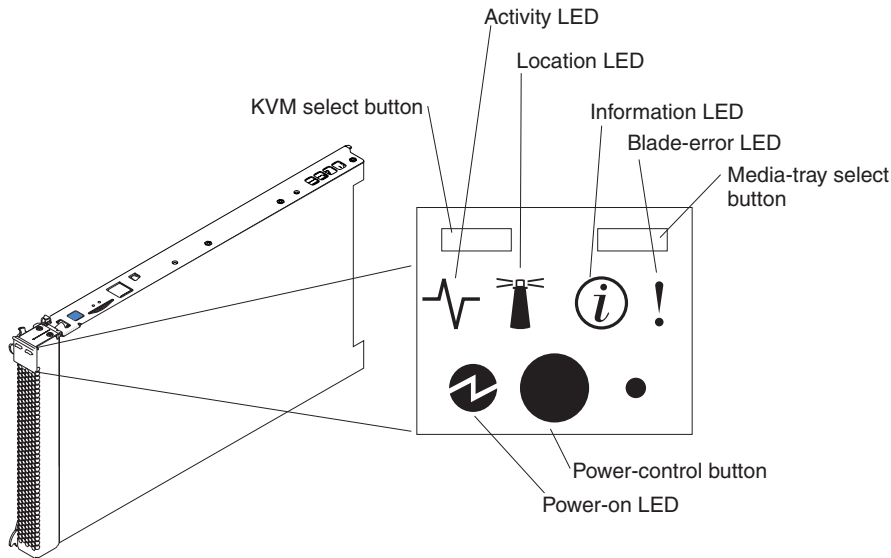
Fault Lit (amber). The battery backup unit has a failure. If the Fault LED is lit, replace the battery backup unit.

Blade server

Blade servers can contain components such as microprocessors, memory, Ethernet controllers, and hard disk drives. They receive power, network connection, and I/O devices (such as DVD drive, keyboard, mouse, video port, USB ports, and a remote monitoring port) from the BladeCenter S chassis.

A SAS expansion card must be installed in each blade server that will access the integrated shared storage.

Note: The control panel door is shown in the closed position in the following illustration. To access the power-control button, you must open the control panel door.



You can find the documentation for blade servers in the IBM Systems Information Center, which is at <http://publib.boulder.ibm.com/infocenter/systems/index.jsp>. To access the blade server documentation from this site, click **Systems hardware > BladeCenter information > Blade servers**.

To determine which blade servers are compatible with the BladeCenter S chassis, see the IBM ServerProven Web site at <http://www.ibm.com/servers/eserver/serverproven/compat/us/eserver.html>.

Controls and indicators

Blade servers typically provide the following controls and indicators:

KVM select button

When using an operating system that supports a local console and keyboard, press this button to associate the shared BladeCenter S chassis keyboard and video ports with the blade server.

Activity LED

When this green LED is lit, it indicates that there is activity on the hard disk drive or network.

Location LED

When this blue LED is lit, it has been turned on by the system administrator to aid in visually locating the blade server. The location LED

can be turned off through the Web interface of the advanced management module or through the IBM Director Console.

Information LED

When this amber LED is lit, it indicates that information about a system error for the blade server has been placed in the advanced management module event log. The information LED can be turned off through the Web interface of the advanced management module or through the IBM Director console.

Blade-error LED

When this amber LED is lit, it indicates that a system error has occurred in the blade server. The blade-error LED will turn off after one of the following events:

- Correcting the error
- Reseating the blade server in the BladeCenter S chassis
- Cycling the BladeCenter S chassis power

Media-tray select button

Press this button to associate the shared BladeCenter S chassis media tray (removable-media drive and front-panel USB ports) with the blade server. The LED on the button flashes while the request is being processed, then is lit when the ownership of the media tray has been transferred to the blade server. It can take approximately 20 seconds for the operating system in the blade server to recognize the media tray.

If there is no response when you press the media-tray select button, use the advanced management module to determine whether local control has been disabled on the blade server.

Power-control button

This button is behind the control panel door. Press this button to turn on or turn off the blade server.

The power-control button has effect only if local power control is enabled for the blade server. Local power control is enabled and disabled through the Web interface of the advanced management module.

Press down the power button for five seconds to begin powering down the blade server.

Power-on LED

This green LED indicates the power status of the blade server in the following manner:

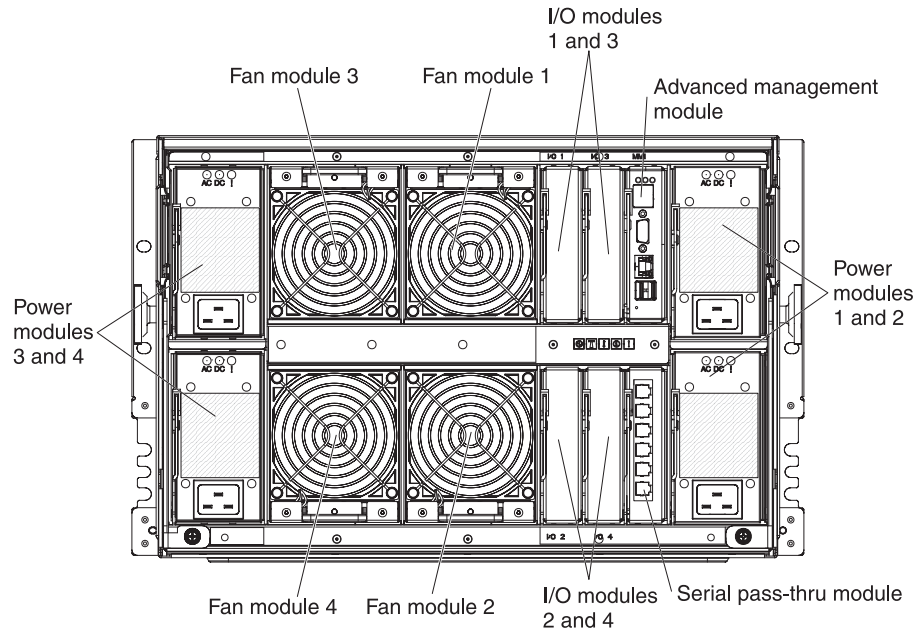
- Flashing rapidly: The service processor (BMC) is initializing the blade server.
- Flashing slowly: The blade server has completed initialization and is waiting for a power-on command.
- Lit continuously: The blade server has power and is turned on.

Rear view of the BladeCenter S chassis

Fan modules, I/O modules, power modules, the advanced management module, and the serial pass-thru module are in the rear of the BladeCenter S chassis.

Note: Each bay in the BladeCenter S chassis must have either a device or a filler installed.

The following illustration shows the rear of the BladeCenter S chassis.



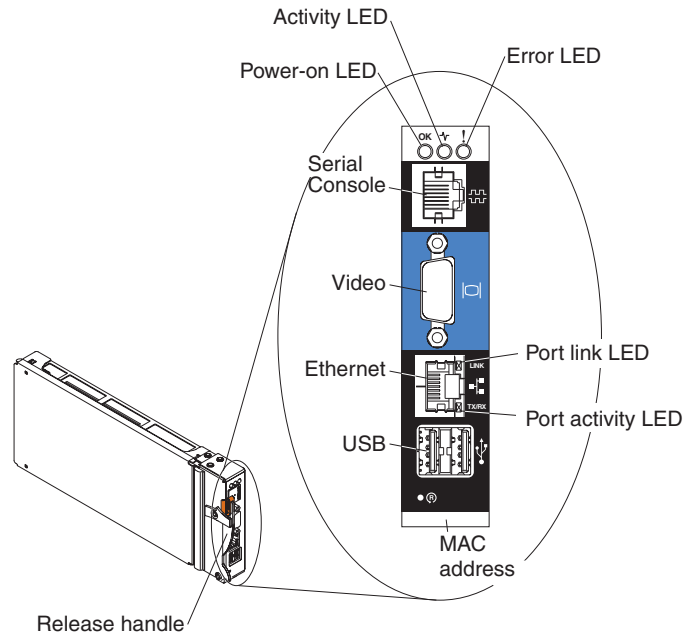
Advanced management module

The advanced management module is a hot-swap module that you use to configure and manage all installed BladeCenter components. The BladeCenter S chassis comes with one advanced management module in the advanced management module bay.

The advanced management module provides systems-management functions and keyboard/video/mouse (KVM) multiplexing for all blade servers in the BladeCenter S chassis that support KVM. It controls the following connections:

- A serial port for a local connection to another computer, such as a notebook computer
- The external video and USB connections for keyboard and mouse
- A 10/100 Mbps Ethernet connection

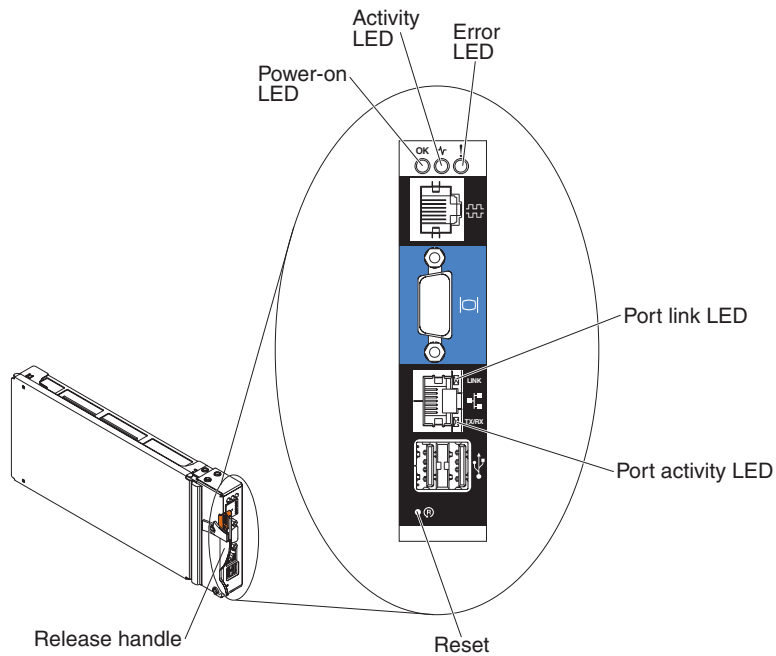
The advanced management module communicates with the service processor (also called the baseboard management controller, or BMC) in each blade server to support features such as blade server power-on requests, error and event reporting, KVM requests, and requests to use the BladeCenter S chassis shared media tray.



The BladeCenter S chassis supports a single advanced management module, and it must be installed in the advanced management module bay.

Advanced management module indicators and controls:

The advanced management module has several LEDs that you can use to obtain status about the advanced management module and the Ethernet connection.



The following advanced management module LEDs provide status information about the advanced management module and Ethernet connection:

Power-on

Lit (green). The advanced management module has power.

Activity

Lit (green). The advanced management module is actively controlling the BladeCenter S system.

Error

Lit (amber). An error has been detected in the advanced management module. When the error LED is lit, the BladeCenter system error LED is also lit.

Port Link

Lit (green). There is an active connection through the Ethernet port to the network.

Port activity

Flashing (green). There is activity through the Ethernet port over the network link.

Reset

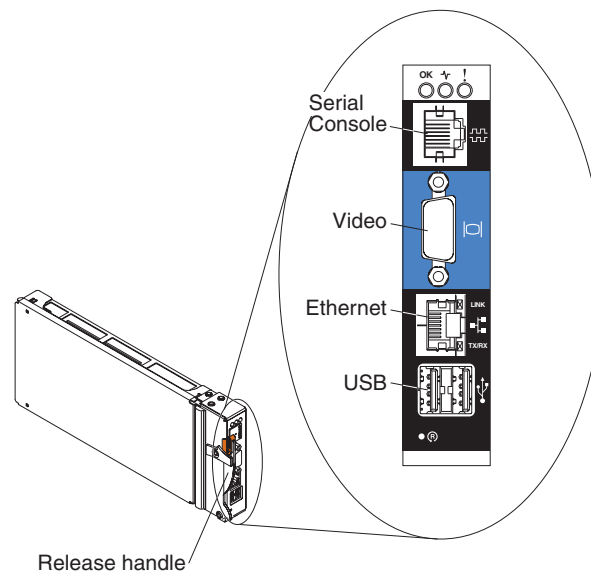
Insert a straightened paper clip into the reset pinhole and remove it to restart the advanced management module. The fan modules operate at full speed while the advanced management module is initializing.

Attention: If you push the paper clip in all the way and hold it for approximately 10 seconds, the advanced management module will be reset to the default configuration. Therefore, you should always make sure that you save your current configuration before resetting the advanced management module.

For more information about saving and restoring configurations, see the *IBM BladeCenter Advanced Management Module User's Guide*.

Advanced management module input and output connectors:

The advanced management module has a serial connector, a video connector, two USB connectors for keyboard and mouse, and an Ethernet connector for remote management.



Serial Console

Use this connection to configure and manage the BladeCenter components through the advanced management module command-line interface (CLI). For example, you can connect a notebook computer to the serial connector and use a terminal emulator program to configure the IP addresses, user accounts and other settings.

The serial pinout for the advanced management module is an EIA-561, as shown in the following table:

Contact (pin number)	Signal name
1	DSR (Data set ready)
2	DCD (Data carrier detect)
3	DTR (Data terminal ready)
4	GND (Ground)
5	Receive (RX)
6	Transmit (TX)
7	CTS (Clear to send)
8	RTS (Request to send)

Video Use this connector to connect a compatible SVGA or VGA video monitor to the BladeCenter S system.

Ethernet

Use this connector to connect the BladeCenter S system to a the management station, either through an Ethernet cable or on the network.

USB connectors

Use these connectors to connect a mouse and keyboard (or other USB devices). Unlike the USB connectors on the media tray, these connectors are shared by the blade servers through the BladeCenter Keyboard, Video, Mouse (KVM) interface. The KVM interface owns these ports.

Note: If you connect a USB storage device to these connectors, the blade server has ownership of the media tray and can access the device. To switch ownership of the media tray to a specific blade server, press the

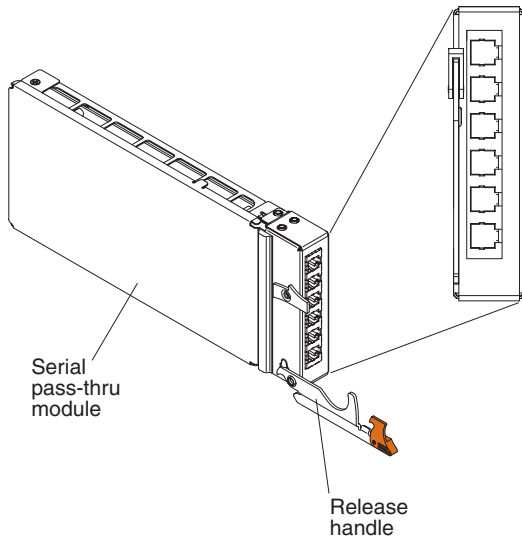
CD button on that blade server.

Serial pass-thru module

The serial pass-thru module has six serial ports that you can use to directly attach a four-wire serial RJ-45 connector to each of the blade servers in the BladeCenter S chassis. If you use the serial pass-thru module, it must be installed in the serial pass-thru module bay.

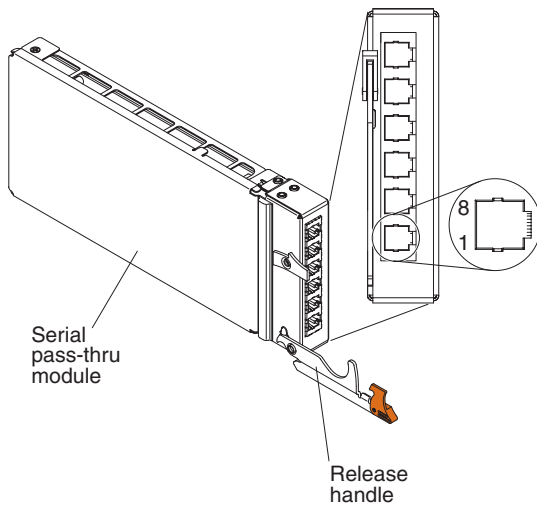
Note: See the documentation for the blade server that you are using to ensure that it supports this type of serial access.

The connectors are numbered 1 through 6, from top to bottom, and correspond to blade servers in blade server bays 1 through 6.



Serial pass-thru connector pinout

There are eight pins on each RJ-45 port, numbered 1 through 8, from bottom to top.

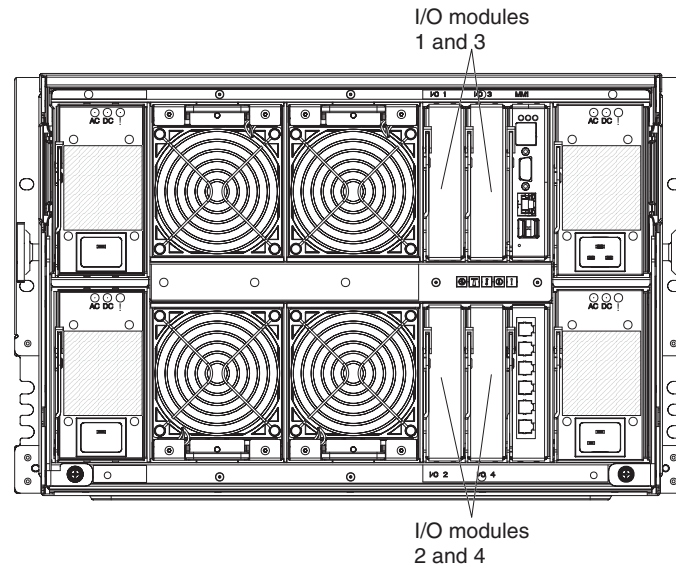


Contact (pin number)	Signal name	Signal direction
1	RTS (Request to send)	Output from blade server
2	Not used	n/a
3	RXD (Receive data)	Input to blade server
4	GND (Ground)	n/a
5	Not used	n/a
6	TXD (Transfer data)	Output from blade server
7	Not used	n/a
8	CTS (Clear to send)	Input to blade server

Note: The serial pass-thru module uses the DTE convention.

I/O modules

You can install up to four I/O modules in the BladeCenter S chassis, including Ethernet switch modules, Fibre Channel switch modules, pass-thru modules (optical and copper), SAS connectivity modules, and SAS RAID controller modules.



Note:

You can find the documentation for I/O modules at the IBM Systems Information Center, which is at <http://publib.boulder.ibm.com/infocenter/systems/index.jsp>. To access the I/O module documentation from this site, click **Systems hardware > BladeCenter information > I/O modules**.

To determine which I/O modules are compatible with the BladeCenter S chassis, see the IBM ServerProven Web site at <http://www.ibm.com/servers/eserver/serverproven/compat/us/eserver.html>.

I/O module bay 1

I/O module bay 1 supports any standard Ethernet or pass-thru module that connects to the two integrated Ethernet controllers in each of the blade servers.

Note: This I/O module bay is wired differently from I/O module bay 1 in a BladeCenter E or BladeCenter H chassis.

I/O module bay 2

I/O module bay 2 supports an optional I/O module, such as an Ethernet switch or a pass-thru module, that connects to the two integrated Ethernet controllers in each of the blade servers.

Note: If you install an I/O module in I/O module bay 2, you will also need to install an expansion card option, such as the 2/4 Port Ethernet Expansion Card, in each blade server that will access the external Ethernet network through the switch module in I/O module bay 2.

I/O module bays 3 and 4

I/O module bays 3 and 4 support SAS connectivity modules or SAS RAID controller modules.

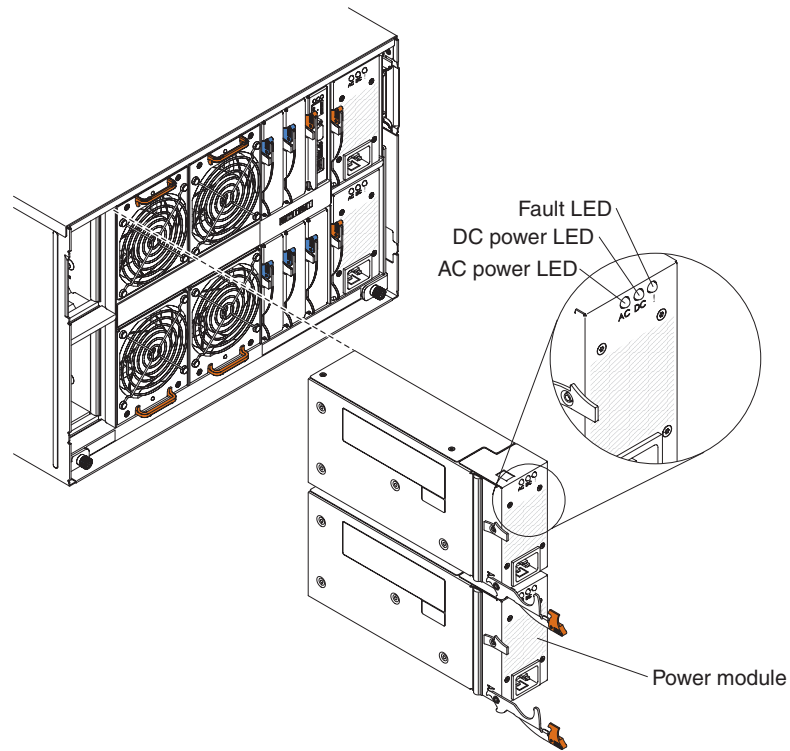
- If you are using the RAID storage solution, you must install two SAS RAID controller modules, one in I/O module bay 3 and one in I/O module bay 4. SAS RAID controller modules require a SAS expansion card option in each blade server that will access the integrated shared storage.
- If you are using only one SAS connectivity module, install the module in I/O module bay 3. You can install an additional SAS connectivity module in bay 4. A SAS connectivity module requires a SAS expansion card option in each blade server that will access the integrated shared storage.

The two bays also support Ethernet switch modules, Fibre Channel switch modules, and pass-thru modules (optical and copper) if the disk storage modules are not being used.

Important: I/O module bays 3 and 4 must both contain the same type of switch (either SAS connectivity modules, SAS RAID controller modules, Ethernet switch modules, pass-thru modules, or Fibre Channel switch modules).

Power modules

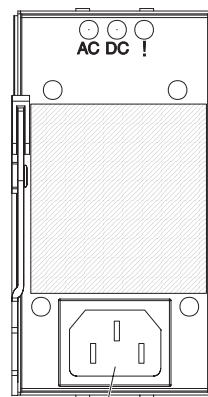
The BladeCenter S system supports up to four autoranging power modules that are capable of supporting either 110 V ac or 220 V ac.



There are two types of power modules. These power modules are identical except for the power cord connector; one power module has a C14 connector and the other power module has a C20 connector. Both types of power modules can be installed in the same chassis.

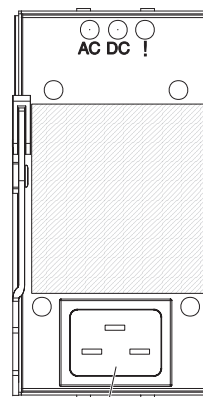
Table 1. Power modules used in the BladeCenter S system

Power module with C14 connector



C14 connector

Power module with C20 connector



C20 connector

Within the BladeCenter S chassis, all power supplies are combined into a single power domain, which distributes power to each of the blade servers and modules through the system midplane.

You must install a minimum of two power modules. If you install only two power modules, install them in power module bays 1 and 2 (the top and bottom power module bays on the right as you face the rear of the BladeCenter S chassis).

Note: You must install all four power modules if you are using both disk storage modules.

If you disengage or remove all devices from the front of the BladeCenter S chassis (media tray, blade servers, and disk storage modules), the power modules will be disabled.

Indicators and controls

There are three LEDs on each power module:

AC power

Lit (green). Power is being supplied to the power module.

DC power

Lit (green). Power is being supplied from the power module to the BladeCenter S chassis midplane.

Fault Lit (amber). There is a fault with the power module.

Note: Before unplugging the AC power cord from the power module or removing the power module from the BladeCenter S chassis, verify that the capacity of the remaining power modules are sufficient to meet the minimum power requirements for all components in the BladeCenter S chassis. You can view power status and requirements through the advanced management module.

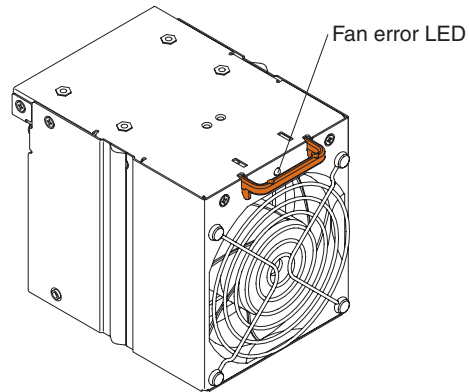
For information on accessing and using the advanced management module, see the *Advanced Management Module User's Guide*.

1. Verify that the power modules are properly connected to an AC power source. All power modules in the BladeCenter S chassis must be connected to the same power input voltage (either 110 V ac or 220 V ac). Do not mix power input voltages.
2. Unplug the AC power cord from the power module and plug it in again.
3. Reseat the power supply.
4. Swap the AC power cord with a power cord that is known to be working.
5. Move the power module to another power module bay in the BladeCenter S chassis.

Fan modules

The BladeCenter S chassis comes with four installed hot-swap fan modules.

The fan modules (sometimes called *fan packs*) are designed to provide cooling airflow to the blade servers and I/O modules. Each fan module contains two fans.



Indicators and controls

Each fan module has a single LED:

Error Lit (amber). One of the fans in the fan module has failed.

Note: If one of the fans in the fan module fails, the other fan will begin operating at full speed.

Systems and storage management

IBM provides products that you can use to manage your BladeCenter S system and the integrated shared storage that is available.

IBM Director

IBM Director provides a comprehensive entry-level workgroup hardware manager. It includes advanced self-management capabilities for maximum system availability and support for multiple operating systems, including Microsoft Windows, AIX, Linux, and i5/OS.

With IBM Director, a systems or network administrator can perform the following tasks:

- View and modify the hardware configuration of remote systems
- Monitor the usage, health, and performance of critical components, such as microprocessors, disks, and memory
- Centrally manage individual or large groups of IBM and non-IBM x86-processor-based servers, desktop computers, workstations, and notebook computers on a variety of platforms
- Inventory your environment
- Perform updates to managed systems, such as device drivers and firmware
- Automatically perform an action based on events or schedules, if IBM Director is configured to do so

By deploying IBM Director, you can achieve reductions in ownership costs through the following benefits:

- Reduced downtime
- Increased productivity of IT personnel and users
- Reduced service and support costs

For more information about IBM Director and to download the latest version of IBM Director, go to <http://www.ibm.com/systems/management/director/>.

Storage Configuration Manager

Storage Configuration Manager is a Web based device management application.

Storage Configuration Manager provides user and programmatic interfaces that you need to configure and monitor multiple instances of different types of storage related devices, including either the SAS connectivity modules or the SAS RAID controller modules, and the SAS controllers on the expansion cards in each blade server. It includes a Web-based graphical user interface. It can be installed as a stand-alone application or as an extension to IBM Director 5.20.2.

You can connect to the Storage Configuration Manager component of the application from any computer on the network that it is installed on, using a standard Web browser (Internet Explorer 6.x or later, Firefox 1.0 or later).

Instead of using Storage Configuration Manager, you have the option of configuring the integrated shared storage from the configuration wizard of the advanced management module if you choose one of the predefined configurations that are provided. However, you must install Storage Configuration Manager if you decide to modify an existing configuration or create your own customized configuration.

To download Storage Configuration Manager go to <http://www.ibm.com/systems/support/management> and select **IBM Storage Configuration Manager**.

Chapter 2. Planning for the physical environment

Make sure that the site where the BladeCenter unit will be installed meets the minimum physical requirements for rack, power, and cooling.

Dimensions

A BladeCenter S chassis is 7 rack units (7 U) high.

A BladeCenter S chassis has the following dimensions:

Width: 444 mm (17.5 inches)

Height: 306.3 mm (12 inches)

Depth: 733.4 mm (28.9 inches) from front of the chassis to the rear

Weight considerations

Floors and racks have maximum weight loads. Take these loads into consideration when planning your floor space.

The fully configured weight with blade servers is approximately 108.86 kg (240 lbs).

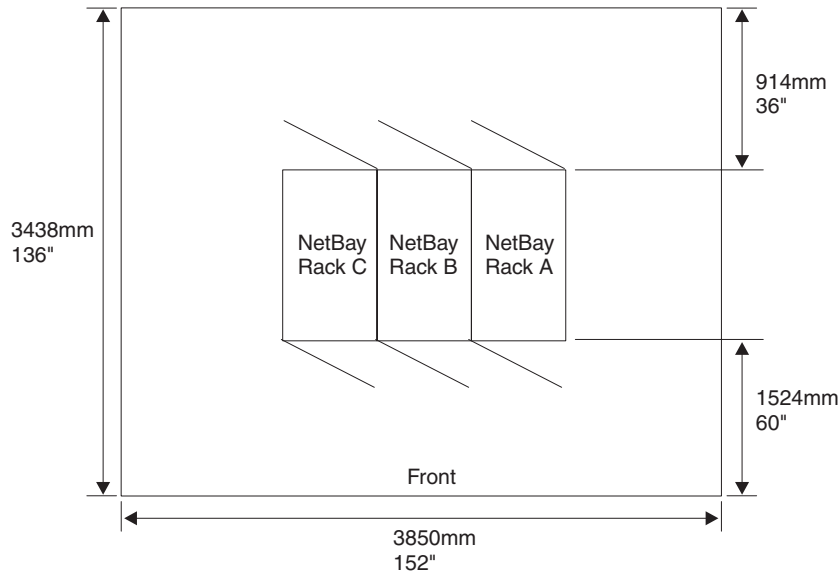
The empty chassis without modules or blade servers weighs approximately 40.82 kg (90 lbs).

Floor space

The required floor space must allow enough clearance in the front and rear of the rack so that the doors can be opened to access the equipment.

Front clearance is needed to access the blade servers, disk storage modules, and the media tray. Rear clearance is needed to access power supplies, fans, and network cable connections, as well as to attach a local monitor, keyboard, and mouse to the advanced management module. The following graphic shows the maximum operational clearances for IBM NetBAY racks and expansion units that are recommended for use with BladeCenter systems.

Note: Some racks, such as the IBM S2 25U Standard Rack and the IBM S2 42U Standard rack have dual doors and take up less space.



If you are using the Office Enablement Kit, see the *IBM BladeCenter Office Enablement Kit Installation and User's Guide*.

Rack requirements

Make sure the rack in which you are going to install the BladeCenter S chassis meets these minimum requirements.

- Make sure that the room air temperature is below 35°C (95°F).
- Do not block any air vents; usually, 15 cm (6 in.) of air space in the rear and 5 cm (2 in.) in the front provides proper airflow.
- Three or more people are required to install the device in a rack.
- Do not leave any unused U space within a rack open. Blank filler panels must be used to prevent recirculation of warm air.
- Install your BladeCenter S chassis only in a rack cabinet with perforated front and rear doors or in a rack equipped with the IBM Rear Door Heat eXchanger.
- Do not extend more than one device out of the rack at the same time.
- Remove the rack doors and side panels to provide easier access during installation.
- The rack-mounting flanges have holes and clearances per EIA-310-D.
- There is sufficient room in front of the front EIA flange to provide minimum bezel clearance of 70 mm (2.76 inches) deep.
- There is sufficient room behind the rear of the rear EIA flanges to provide for adequate cable management and routing.
- Rack weight-handling capacity must be sufficient for the aggregate weight of the BladeCenter S chassis, blade servers, power distribution units, and power cables.
- The rack needs to be stabilized with stabilization brackets and leveling pads so that it does not become unstable when fully loaded.

Important: When moving a 42U rack, remove all equipment installed above 22U before moving the rack to another location.

IBM and non-IBM racks

Verify that you are not exceeding the maximum weight load limits for IBM and non-IBM racks.

Table 2 shows the maximum weight limits for IBM NetBAY racks and expansion units that are recommended for use with BladeCenter S chassis. The table shows the maximum number of BladeCenter S chassis that can be installed in a NetBAY rack when the rack is:

- Installed in place and sitting on the rack leveling pads.
- Being relocated and is sitting on the rack castors.

For on-site relocation of the rack on castors, the maximum number of BladeCenter S chassis, including the power distribution units (PDUs) to support the configuration, is based on a 14-degree stability requirement established under IBM safety guidelines.

Table 2. Rack weight load limits

Rack	Rack weight	Maximum allowable rack weight load	Maximum number of fully loaded BladeCenter S units with rack on leveling pads or bolted to the floor	On-site relocation, rack on casters, maximum number of BladeCenter S units
Office Enablement Kit	40.8 kg (90 lb)	223 kg (491 lb)	1	1
NetBAY 11	37 kg (75 lb)	216 kg (475 lb)	1	1
NetBAY 42 Enterprise Rack	261 kg (575 lb)	928 kg (2045 lb)	6	3
NetBAY 42 Enterprise Expansion Cabinet	234 kg (511 lb)	928 kg (2045 lb)	6	3
NetBAY 42 Standard Rack	119 kg (262 lb)	765 kg (1683 lb)	6	3
NetBAY 42 Standard Expansion Cabinet	112 kg (246 lb)	739 kg (1626 lb)	6	3
NetBAY 25 Standard Rack	95 kg (209 lb)	466 kg (1025 lb)	3	3
NetBay S2 25 Standard Rack	100 kg (221 lb)	667 kg (1471 lb)	3	3
NetBay S2 42 Standard Rack	125 kg (275 lb)	1032 kg (2275 lb)	6	6

When determining your floor load limits, use the combined weight of the rack, populated BladeCenter S chassis, PDUs, and other rack mounting hardware to ensure the installation site can safely support the total weight. Consult your local building engineer to understand the weight limits for your site. Use the “Rack installation worksheet” on page 87 to record your information.

Noise considerations

Each BladeCenter S chassis has four fan modules for cooling and each fan module has 2 fans. The fan modules generate measurable noise.

The sound levels for the BladeCenter S chassis range from 6.3 bels to 6.8 bels depending on the number and type of blade servers that are installed.

The actual sound-pressure levels in your installation depend on a variety of factors, including the number of servers in the installation, the size, materials, and configuration of the room where the servers are installed, the noise levels from other equipment, the room ambient temperature, and employees' location in relation to the equipment.

Your server installation may be subject to government regulations, such as those prescribed by OSHA or European Community Directives, that cover noise-level exposure in the workplace. Consult a qualified person, such as an industrial hygienist, to determine the sound-pressure levels to which your employees are exposed.

Power considerations

When planning for power, you need to determine how many power modules you intend to install (either 2 or 4) and whether they are going to be connected to 110 V ac or 220 V ac power sources. In addition, you need to determine the type of power management policy that you intend to implement.

The power modules for the BladeCenter S system can accept either low voltage range (110 V ac nominal) or high voltage range (220 V ac nominal) line input from your power utility distribution network.

At a minimum, you need to install two power modules, and they must be installed in power module bays 1 and 2. These power modules will provide power to the following components:

- Blade server bays 1 through 6
- I/O module bays 1 through 4
- Advanced management module module bay
- Serial Pass-Thru Module module bay
- Disk storage module bay 1
- Fan module bays 1 through 4

If you are going to install a disk storage module in bay 2, you will also need to install two additional power modules in power module bays 3 and 4. In addition, the configuration of the blade servers that you have installed might require that you installed additional power modules.

In addition to this information, you can use the IBM System x and BladeCenter Power Configurator at <http://www.ibm.com/systems/bladecenter/powerconfig/> to assist in planning for power.

Power source requirements

The BladeCenter S system can run on either 110 V ac or 220 V ac. Each of the four power supplies in the BladeCenter S chassis is capable of handling either type of power source.

Note: Although the power modules are autoranging and can support either 110 V ac or 220 V ac, you cannot mix voltage power sources within the same BladeCenter S system. All power modules within a BladeCenter S system must be connected to either a 110 V ac or 220 V ac power sources.

AC power input must be adequate to supply the required voltage and amperage at an input frequency range from 50-60 hertz (Hz). The BladeCenter S system requires the following ac input voltage:

Table 3. ac input voltage requirements

Nominal Voltage	Minimum Voltage	Maximum Voltage
110 V ac	100	127
220 V ac	200	240

The ac input current requirements are shown in the following table:

Table 4. ac input current requirements

Nominal Voltage	Nominal Amps	Maximum Continuous Amps
100 V ac	11.2	13.9
200 V ac	8.0	9.0

Power consumption guidelines

The BladeCenter S system is configurable with varying numbers of some individual components. As you add components to the BladeCenter S system, the power consumption increases.

Blade servers, fan modules, SAS or SATA drives, and other components all contribute to the power footprint. A BladeCenter S system can have a minimum of two or a maximum of four power supply modules that must provide the 12-volt power for all of the components that you are including in the chassis.

Table 5. Power consumption of BladeCenter S system components

Component	Maximum Watts
Midplane	5W
Media tray	7.5W
Fans (four)	240W
Advanced management module	25W
Power module fans (two power modules)	20W
I/O module	45W
SAS connectivity module	65W
SAS RAID controller module	65W
Battery backup unit	10W
Disk storage module	120W

Table 5. Power consumption of BladeCenter S system components (continued)

Component	Maximum Watts
Serial pass-thru module Note: Power for the serial pass-thru module is provided by the blade servers.	0W

The maximum wattage requirement for blade servers varies depending on the type of blade server installed in the BladeCenter S system. For the latest information related to power consumption and requirements for blade servers, see the IBM System x and BladeCenter Power Configurator at <http://www-03.ibm.com/systems/bladecenter/powerconfig/>.

Power management policies

You can set the power management policy to be used for the BladeCenter S system from the advanced management module.

You can choose from the following power management policies:

- **AC power source redundancy**

With this policy, the total allowable power draw is limited to the capacity of two power modules. If you use dual ac power sources, one ac power source can fail without affecting the operation of the blade servers. However, some blade servers may not be able to power on if doing so will exceed the power policy limit.

The policy is intended for use when you have four power modules installed and two separate 220-volt AC power sources.

- **AC power source redundancy with blade throttling allowed**

This policy is similar to AC power source redundancy. With this policy, the total allowable power draw is limited to the capacity of two power modules. If you use dual ac power sources, one ac power source can fail without affecting the operation of the blade servers.

If power module redundancy is lost, processors on blade servers that are capable of throttling will throttle to reduce the power consumed to less than or equal to the total power. *Throttling* refers to achieving lower power consumption for a blade by temporarily reducing the CPU throughput. The advanced management module utilizes power management technologies built into certain processors to throttle the blades.

Note: Not all blade servers are capable of throttling.

The policy is intended for use when you have four power modules installed and two separate 220-volt AC power sources.

- **Power module redundancy**

With this policy, the total allowable power draw is limited to one less than the number of power modules when more than one power module is present. One power module can fail without affecting blade server operation.

Blade servers will power on only if they can operate without throttling if there is a power module failure. The number of blade servers allowed to power on is determined by the power available from one less than the total number of power modules. If a single power module fails, all the blade servers that are powered on will continue to operate at normal performance levels. If two or more power modules fail, the BladeCenter S chassis could power off.

This policy is intended when you have two to four power modules installed and a single 110-volt or 220-volt AC power source. Each power module is on its own dedicated circuit.

- **Power module redundancy with blade throttling allowed**

With this policy, the total allowable power draw is limited to one less than the number of power modules when more than one power module is present. One power module can fail without affecting blade server operation, but multiple power module failures can cause the chassis to power off.

This policy allows you to draw more total power from the chassis. However, in case of a power module failure, the advanced management module might have to throttle down some blade servers to keep the chassis operational. Blade servers will be allowed to power on as long as the power consumed is less than or equal to the total power under this policy. If a single power module fails, processors on blade servers that are capable of throttling, will throttle in order to reduce the power consumed to less than or equal to the rated capacity of the power module. Blade servers will power up in a throttled state in some configurations. Upon restoration of power redundancy, the blade processors will return to their normal performance levels.

This policy is intended when you have two to four power modules installed and a single 110-volt or 220-volt AC power source. Each power module is on its own dedicated circuit.

- **Non-redundant**

Blade servers will be allowed to power on as long as the power consumed is less than or equal to the total power of all installed power modules. Processors return to their normal power states when power redundancy is restored.

Note: There may be certain configurations that might result in loss of power in the domain.

See “Power allocation guidelines” for more information.

Power allocation guidelines

The power available to a BladeCenter S system is based on the number of power modules installed, the power being used, and the power management policy chosen.

110 V ac

The following table shows the maximum power available in a BladeCenter S system based on the number of power modules installed (connected to 110 V ac) and the power management policy chosen.

Table 6. Power module allocations at 110 V ac

Number of power modules	Maximum power	Total power available	Total power available (power module redundancy)
4	950 watts	3477 watts	2850 watts
3	950 watts	2850 watts	
2	950 watts	1900 watts	950 watts
1	950 watts	950 watts	

220 V ac

The following table shows the maximum power available in a BladeCenter S system based on the number of power modules installed (connected to 220 V ac) and the power management policy chosen.

Table 7. Power module allocations at 220 V ac

Number of power modules	Maximum power	Total power available	Total power available (power module redundancy)	Total power available (AC power source redundancy)
4	1450 watts	3562 watts	3562 watts	2900 watts
3	1450 watts	3562 watts		
2	1450 watts	2900 watts	1450 watts	1450 watts
1	1450 watts	1450 watts		

Power attachment diagrams

These power attachment diagrams show examples of how to attach to power based on whether you are using 110 V ac or 220 V ac power sources.

Power attachment diagrams - 110 V ac

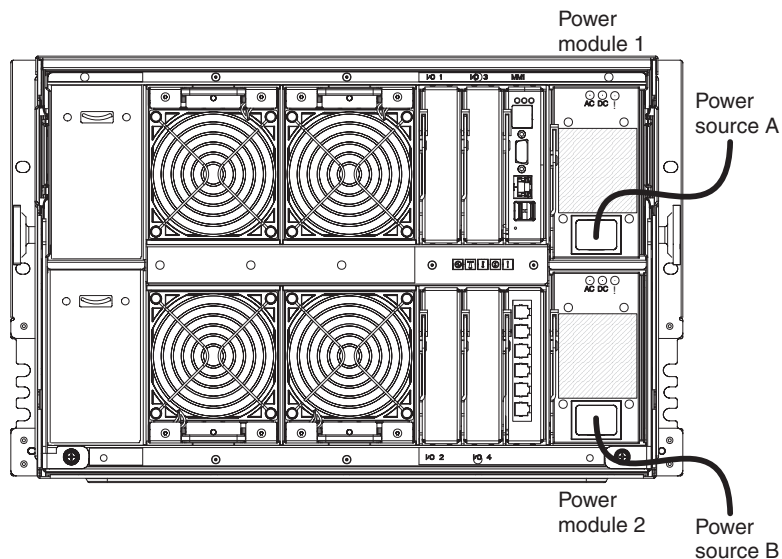
These power attachment diagrams show examples of how to attach to 110 V ac power sources.

Remember: You cannot mix 110 V ac power sources and 220 V ac power sources in the same BladeCenter S chassis.

Two power supplies attached to 110 V ac power sources

In this example, there are two power supplies that are attached to separate power sources. The power sources could be dedicated branch circuits from your circuit breaker panel:

- Power source A could be your utility provider
- Power source B could be your UPS service



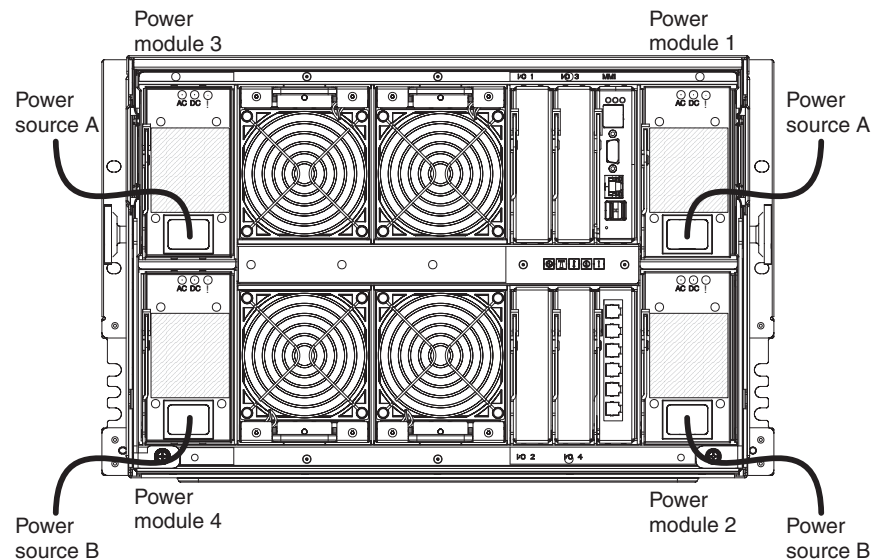
Each power supply provides up to 950 watts. Therefore, the total power available for the BladeCenter S system would be as follows:

- Non-redundant power policy: 1900 watts
- Power module redundancy power policy: 950 watts
- AC power source redundancy power policy: 950 watts

Four power supplies attached to 110 V ac power sources

In this example, there are four power supplies that are attached to two separate power sources. The power sources could each be different dedicated branch circuits from your circuit breaker panel:

- Power source A could be your utility provider
- Power source B could be your UPS service



Each power supply provides up to 950 watts. Therefore, the total power available for the BladeCenter S system would be as follows:

- Non-redundant power policy: 3477 watts
- Power module redundancy power policy: 2850 watts

Power attachment diagrams - 220 V ac

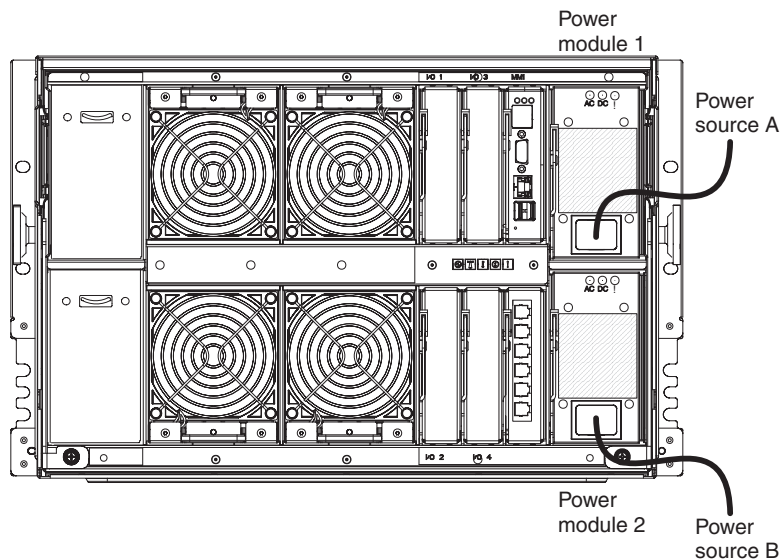
These power attachment diagrams show examples of how to attach to 220 V ac power sources

Remember: You cannot mix 110 V ac power sources and 220 V ac power sources in the same BladeCenter S chassis.

Two power supplies attached to 220 V ac power sources

In this example, there are two power supplies that are attached to separate power sources:

- Power source A could be your utility provider
- Power source B could be your UPS service



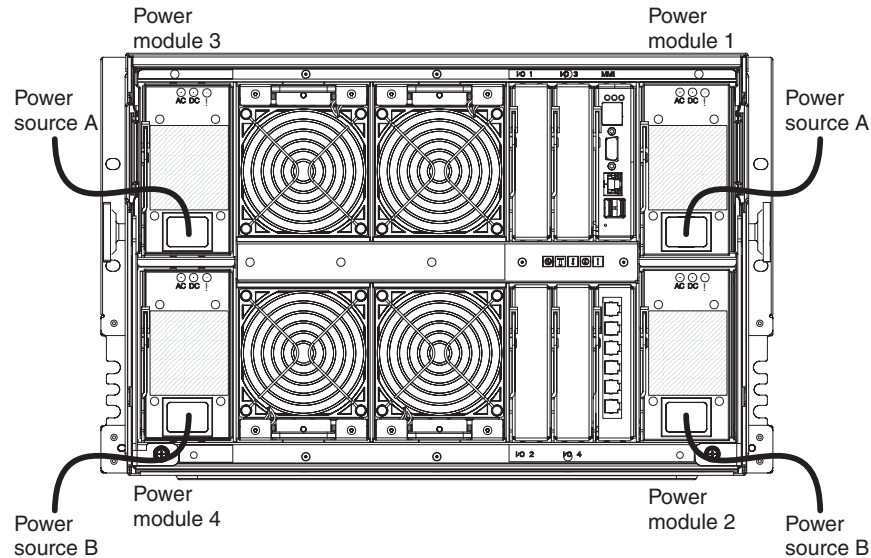
Each power supply provides up to 1450 watts. Therefore, the total power available for the BladeCenter S system would be as follows:

- Non-redundant power policy: 2900 watts
- AC power source redundancy power policy: 1450 watts

Four power supplies attached to 220 V ac power sources

In this example, there are four power supplies that are attached to two separate power sources.

- Power source A could be your utility provider
- Power source B could be your UPS service



Each power supply provides up to 1450 watts. Therefore, the total power available for the BladeCenter S system would be as follows:

- Non-redundant power policy: 3562 watts
- AC power source redundancy power policy: 2900 watts

Cooling considerations

The operating environment for BladeCenter S systems must provide sufficient temperature and humidity control to prevent BladeCenter S system thermal failures.

Air temperature and humidity

Temperature and humidity limits exist for a BladeCenter S system.

The following table describes the permissible temperatures and humidity limits for a BladeCenter S system when it is powered on.

Table 8. Temperature and humidity limits

Altitude	Temperature Range	Humidity Range
0 to 914 m (0 to 3,000 ft)	10° to 35° C (50° to 95° F)	8% to 80%
914 m to 2134 m (3,000 ft to 7,000 ft)	10° to 32° C (50° to 90° F)	8% to 80%

Airflow considerations

Air flow is critical for ensuring the operating air temperature stays within permissible limits.

- Each BladeCenter S system requires a maximum of 450 cubic feet per minute (CFM) and a minimum of 200 CFM of air circulation.
- Each BladeCenter S system has four fan modules, each containing two fans, for a total of eight fans.
- Each power supply contains fans that are used to cool the disk storage modules.
- Airflow direction is from front to back.
- All BladeCenter S chassis bays must be populated, either with a module, a blade server, or a filler in place of the component.
- All equipment installed in a rack with a BladeCenter S system must use front-to-back airflow to prevent warm-air-recirculation problems. Devices that use back-to-front air flow cause warm air to enter the front of the BladeCenter S chassis. This can cause reduced reliability, component failure, data loss, or blade server shutdown.
- In racks with multiple BladeCenter S systems, populate the BladeCenter S chassis starting with the bottom chassis in the rack and working up towards the top of the rack.
- Any unused rack space must be covered with a blank rack filler panel to ensure proper air circulation.

Heat output

The amount of heat output from a BladeCenter S system in British thermal units (BTUs) per hour is based on the configuration.

- Minimum configuration: 1365 Btu/hour or 400 watts
- Maximum configuration: 11942 Btu/hour or 3500 watts

Prevention of air recirculation

Consider these air recirculation factors when planning for single or multiple rack installations.

- When racks are positioned adjacent to each other, ensure that the racks fit tightly together from side to side to prevent inter-rack air recirculation from the back to the front.
- Air recirculation occurs over the top or around the side of a rack in a room that does not have a cooling system with sufficient airflow volume capacity. Ensure that the cooling system has adequate capacity for the room cooling load.

Room cooling

To prevent possible BladeCenter S system thermal failures, proper room cooling is vital.

- Ensure that the site cooling system has adequate capacity for the room cooling load.
- Ensure that cool air is provided to the front of the BladeCenter S chassis and rack.
- Ensure that the room cooling system is positioned so warm exhaust air is directed away from all BladeCenter S chassis towards the room cooling system without passing in front of a BladeCenter S chassis.
- A significant air temperature gradient can occur from the bottom to the top of a rack in a room that has a cooling system that does not have sufficient airflow

volume and cooling capacity. This may cause equipment at the top of the rack to run hot, resulting in reduced reliability, component failure, data loss, or server shutdown.

Chapter 3. Planning for deployment

Plan your BladeCenter S system network topology and determine which deployment tools to use to deploy operating system software, firmware, and drivers.

You can deploy your BladeCenter S system as an integrated solution for your enterprise. Within a single BladeCenter S chassis, you can mix and match applications and operating systems.

You can also get into more advanced management capabilities over the network. For example, you can use a spare blade server and the redeployment capabilities of IBM Director to implement a “blade server RAID” concept. IBM Director and Remote Deployment Manager (RDM) can automatically image a spare blade server to replace a failed blade server, increasing capacity to handle peak workloads, within seconds.

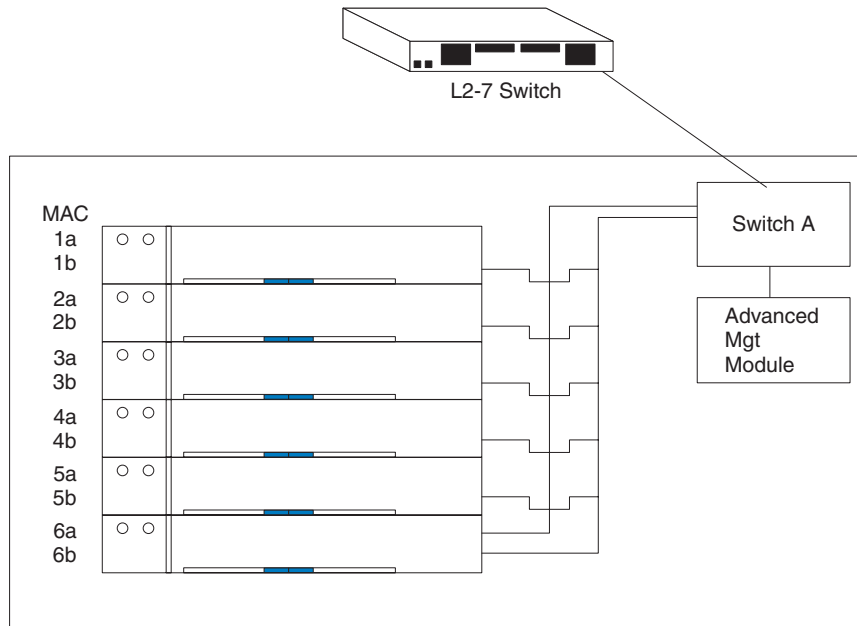
Network topology

The typical network topology for an BladeCenter S system is a single chassis with one or more blade servers. These servers communicate with devices on the external network through an I/O module that is installed in the chassis. Management of the blade servers is performed remotely through the advanced management module.

An Ethernet switch module in I/O module bay 1 of the BladeCenter S chassis can connect all of the blade servers to the external network.

Note: There are normally multiple linkages from the I/O module to the external network.

If you install an Ethernet switch module in I/O module bay 2, remember that you will also need to install an Ethernet expansion card option on each of the blade servers that will access the Ethernet switch module.



Deployment of the BladeCenter S system

Determine which deployment tools to use to deploy operating systems and updates of firmware and device drivers. Plan your infrastructure and plan how to set up your management connection.

The IBM BladeCenter Systems Management Redpaper, which is available at www.ibm.com/redbooks, also describes deploying BladeCenter S systems.

Hardware for the BladeCenter S system

Ethernet switches, SAS connectivity modules, SAS RAID controller modules, power supplies, blade servers, disk storage modules, and the serial pass-thru module are all configurable at the time of your order. You can also order any of these hardware features to upgrade an existing BladeCenter S system.

I/O-module bay configuration options

Four I/O module bays in the BladeCenter S chassis are configurable with specific switches and options for each bay.

Important: You must have an I/O module filler or an I/O module installed in each I/O module bay.

See “Rear view parts listing” on page 106 for the I/O module filler part number.

I/O module bay 1 configuration options:

I/O module bay 1 is connected to both internal Ethernet ports of each blade server bay. You must install a supported Ethernet switch module or pass-thru module in this bay.

Note: Pass-thru modules are not supported in I/O module bay 1 if you install SAS RAID controller modules in I/O module bays 3 and 4.

For a complete list of supported Ethernet switch modules and pass-thru modules, see the IBM ServerProven Web site at <http://www.ibm.com/servers/eserver/serverproven/compat/us/eserver.html> and select **BladeCenter S (8886,7779)**.

I/O module bay 2 configuration options:

I/O module bay 2 supports an optional I/O module, such as an Ethernet switch or pass-thru module, that connects to the Ethernet controllers on the Ethernet expansion card option in each of the blade servers.

Note: If you install an I/O module in I/O module bay 2, you will also need to install an expansion card option, such as the 2/4 Port Ethernet Expansion Card, in each blade server that will access the external Ethernet network through the switch module in I/O module bay 2.

You must use a filler in the bay if no I/O module is installed.

I/O module bays 3 and 4 configuration options:

I/O module bays 3 and 4 are connected to each blade server bay and both disk storage module bays in the BladeCenter S chassis.

The two bays also support Ethernet switch modules, Fibre channel switch modules or pass-thru modules (optical and copper) if the disk storage modules are not being used.

Important: I/O module bays 3 and 4 must both contain the same type of switch (either SAS modules, Ethernet switch modules, pass-thru modules, or Fibre-channel switches).

SAS connectivity modules

If you are implementing a single SAS connectivity module, install it in I/O module bay 3.

Important: In addition to installing SAS connectivity modules, you must also install a SAS expansion card option in each blade server that will access the integrated shared storage.

See “Planning for SAS connectivity module zoning” on page 53 for more information about configuring the integrated shared storage when using SAS connectivity modules.

SAS RAID controller modules

If you are implementing a RAID storage solution you must install two SAS RAID controller modules, one in I/O module bay 3 and the other in I/O module bay 4. In addition, you must install the two battery backup units, which provide backup for the SAS RAID controller modules cache.

Important: You must also install a SAS expansion card option in each blade server that will access the integrated shared storage.

See “Planning for SAS RAID controller module” on page 66 for more information about configuring the integrated shared storage when using SAS RAID controller modules.

Deployment tools

Use deployment tools to configure chassis modules, to maintain operating system software, firmware, and drivers on blade servers, and to provision storage for your BladeCenter S system.

IBM Director

The IBM Director program is IBM's systems management product. Through the remote connection on the advanced management module, you can use IBM Director on a management console to configure the BladeCenter S system, modify the configuration, and set up more advanced features.

To communicate with the BladeCenter S system, the IBM Director software needs a managed object (in the Group Contents pane of the IBM Director Management Console main window) that represents the BladeCenter S system. If the advanced management module IP address is known, the network administrator can create an IBM Director managed object for the BladeCenter S system. If the IP address is not known, the IBM Director software can automatically discover the BladeCenter S system (out-of-band, using the Ethernet port on the management module) and create a managed object for the system.

For the IBM Director software to discover the BladeCenter S system, your network must initially provide connectivity from the IBM Director server to the advanced management module Ethernet port. To establish connectivity, the advanced management module attempts to use DHCP to acquire its initial IP address for the Ethernet port. If the DHCP request fails, the advanced management module uses a static IP address. Therefore, the DHCP server (if used) must be on the management LAN for the BladeCenter S system.

Through the advanced management module, you can assign a new static IP address for each BladeCenter S system. If DHCP is not used and you do not assign a new static IP address for each BladeCenter S system before attempting to communicate with the IBM Director software, only one BladeCenter S system at a time can be added onto the network for discovery. Adding multiple systems to the network without a unique IP address assignment for each BladeCenter S system results in IP address conflicts.

The IBM Director management server must have IP connectivity to the advanced management module and to the blade servers (if an IBM Director agent is installed on the blade servers).

IBM Director has the capability to use the zone configurations that you create with Storage Configuration Manager. You can use Storage Configuration Manager to create an initial zone configuration for a BladeCenter S system and use IBM Director to distribute the configuration to other BladeCenter S systems.

For information about IBM Director, refer to the IBM Director Web site at: www.ibm.com/systems/management/director. Also see the *Implementing IBM Director 5.20* redbook at <http://www.redbooks.ibm.com/> for more information about using Director with BladeCenter products.

Remote Deployment Manager

Remote Deployment Manager (RDM) is an IBM Director extension. Use RDM to install a supported Windows, Linux, or VMware ESX Server operating system or a firmware update onto a blade server remotely. RDM can also capture and deploy cloned images from one system to other systems. RDM uses ServerGuide Scripting Toolkit to provide a deep level of insulation from hardware dependencies.

IBM Director has the capability to use the zone configurations that you create with Storage Configuration Manager. IBM Director and Storage Configuration Manager enable RDM to install an operating system to one of the integrated drives by providing a remote zoning function.

Note: If you are deploying operating systems using Alteris or ServerGuide Scripting Toolkit, you must first configure the zones using Storage Configuration Manager or through the advanced management module.

See the RDM Web site at <http://www.ibm.com/systems/management/director/extensions/rdm.html> for more information about Remote Deployment Manager. See the ServerGuide Scripting toolkit Web site at <http://www.ibm.com/systems/management/sgstk.html> for more information about ServerGuide Scripting Toolkit.

IBM ServerGuide

IBM ServerGuide is provided on CD-ROM with most blade servers. It simplifies the process of installing and configuring blade servers.

ServerGuide assists with the installation of the operating system, system device drivers, and other system components. It performs the following functions:

- Sets system date and time
- Detects installed optional hardware devices and provides updated device drivers for most adapters and devices
- Provides diskette-free installation for supported Windows operating systems

In addition, a system that has been installed using ServerGuide can then be cloned using Remote Deployment Manager.

For more information about IBM ServerGuide, see the IBM ServerGuide Web site at <http://www.ibm.com/systems/management/serverguide.html>.

Management connection

When connecting to the advanced management module, you can choose to connect through the Ethernet port, the serial port (RJ-45 connector), or the video monitor and USB ports on the back of the advanced management module.

- The Ethernet connection can be used to connect to a management station, either through an Ethernet cable, or on the network. You can use this connection to access the advanced management module Web Interface or the command-line interface (CLI).
- The video connector can be used to connect a compatible SVGA or VGA video monitor to the BladeCenter S system. In addition, you can connect a mouse and keyboard (or other USB devices).
- The serial connector can be used to configure and manage the BladeCenter components over a serial connection through the advanced management module command-line interface (CLI).

To manage blade servers, you can use the BladeCenter S system, Serial over LAN, or the serial pass-thru module.

Deployment of blade servers

Plan to meet at least the minimal hardware and software requirements for deploying blade servers, firmware, device drivers, and operating systems.

Hardware considerations for blade servers

You can order optional hardware for blade servers that will be installed in a BladeCenter S system. The optional hardware available depends on the blade server that you are installing.

You can choose to add the following types hardware options to a blade server that will be installed in a BladeCenter S system. See the documentation for the blade server that you are installing for the specific options that are available.

- Additional internal hard disk drives. Some blade servers support IDE hard disk drives, some support SCSI drives, and others support internal SAS hard disk drives.
- Memory module options to increase the amount of memory in your blade server. When you install memory, you must install a pair of matched dual inline memory modules (DIMMs).
- SAS expansion card option to enable the blade servers to communicate with either the SAS RAID controller module or the SAS connectivity module and the integrated shared storage.
- Up to four microprocessors. With two microprocessors, your blade server can operate as a symmetric multiprocessing (SMP) server. To ensure proper server operation when you install an additional microprocessor, use microprocessors that have the same cache size and type, and the same clock speed. Internal and external clock frequencies must be identical.

Note: Some blade servers, such as the IBM BladeCenter LS41, support up to four microprocessors with the addition of a multiprocessor expansion unit. With the addition of the multiprocessor expansion unit, the blade server will occupy two blade server bays.

- A SCSI storage expansion unit for using SCSI hard disk drives with your blade server. With the SCSI storage expansion unit, you can install up to two 1-inch (26 mm) slim-high, 3.5-inch, hot-swap SCSI hard disk drives. If you install the SCSI storage expansion unit, the blade server occupies two to three blade server bays, depending on the blade server.
- The PCI I/O expansion unit adds additional adapter-based functions to your blade server. The PCI I/O expansion unit allows you to add up to two full-length, full-height PCI adapters. If you install the PCI I/O expansion unit, the blade server occupies two to three blade server bays, depending on the blade server.

Operating system considerations

Several operating systems are supported for each blade server that can be installed in a BladeCenter S system.

In general, blade server families exist for each operating system platform architecture.

HC10 Intel architecture that supports:

- Microsoft Windows

HS family

Intel architecture that supports:

- Microsoft Windows
- Novell NetWare
- Novel SUSE Linux
- Red Hat Linux
- Sun Solaris 10
- The SCO Group Linux
- Turbolinux
- VMware

JS21 POWER5 architecture that supports:

- AIX Version 6.1
- AIX 5L for POWER Version 5.3
- AIX 5L for POWER Version 5.2
- Novell SUSE LINUX Enterprise Server 10 for IBM POWER
- Novell SUSE Linux Enterprise Server 9 for POWER
- Red Hat Enterprise Linux for POWER
- IBM Virtual I/O Server

JS12/JS22

POWER6 architecture that supports:

- AIX Version 6.1
- AIX 5L for POWER Version 5.3
- IBM i (i5OS) Version 6 Release 1
- IBM Virtual I/O Server
- Novell SUSE LINUX Enterprise Server 10 for IBM POWER
- Red Hat Enterprise Linux 5 for System i and System p
- Red Hat Enterprise Linux 4 AS for iSeries and pSeries

LS family

AMD architecture that supports:

- Microsoft Windows
- Novell NetWare
- Novel SUSE Linux
- Red Hat Linux
- Sun Solaris 10
- VMware

The ServerProven Web site at <http://www.ibm.com/servers/eserver/serverproven/compat/us/> lists all operating systems that run on IBM BladeCenter

blade servers. In addition, see the BladeCenter NOS Support Information Web site at <http://www.ibm.com/servers/eserver/serverproven/compat/us/nos/ematrix.shtml> for a matrix of supported operating systems per BladeCenter blade server.

Application considerations

Information about some of the applications that you can deploy on blade servers are provided in IBM redpieces, redpapers, and blueprints.

Blueprints

- **VMware ESX3i:**
 - Configuring and Deploying a Virtual Infrastructure 3 with ESX3i on a BladeCenter S Chassis and Blade Servers

Redbooks®

Redbooks Technotes, Redpieces, Redpapers, and Redbooks are available at www.ibm.com/redbooks:

- **Lotus® Domino®:**
 - Deploying Lotus Domino on IBM BladeCenter (November, 2003)
 - Domino for IBM eServer™ xSeries and BladeCenter Sizing and Performance Tuning (May, 2004)
- **Citrix:**
 - Deploying Citrix MetalFrame on IBM BladeCenter (September, 2004)
 - Automating the Deployment and Image Management of a Citrix Hosted Client Environment (May, 2005)
 - Tuning IBM System x Servers for Performance (March, 2007)
- **Microsoft Exchange:**
 - Deploying Microsoft Exchange on IBM BladeCenter (November, 2003)
 - Tuning IBM System x Servers for Performance (March, 2007)
- The Cutting Edge: IBM BladeCenter (November, 2003)
- **Virtual I/O Server (VIOS) Integrated Virtualization Manager (IVM) environment:**
 - VIOS Network Install from Linux Server (August, 2006)
 - IBM BladeCenter JS21: The POWER® of Blade Innovation
- **Altiris and ServerGuide Scripting Toolkit:**

Deployment using Altiris on IBM System x and BladeCenter Servers (September, 2006)
- **Banking:**
 - IBM Systems Solution for Branch Banking: Installation Guide (February, 2007)
 - Infrastructure Solutions: Building a Smart Bank Operating Environment (October, 2006)
- **Application switching:**

Application Switching with Nortel Networks Layer 2-7 Gigabit Ethernet Switch Module for IBM BladeCenter (March, 2006)
- **Databases:**

Oracle9i Real Application Clusters and PolyServe Matrix Server on IBM eServer xSeries and BladeCenter (November, 2004)

Chapter 4. Planning for configuration

During planning, you need to plan for the configuration of the advanced management module, I/O modules, blade servers, and storage.

Configuration tools

Several tools are available to help you configure your BladeCenter S system.

BladeCenter Open Fabric Manager

IBM BladeCenter Open Fabric Manager is designed to help administrators manage change and growth by making it easy to configure I/O and network interconnects for up to 100 BladeCenter chassis — up to 1400 blade servers.

Once installed in the advanced management module, IBM BladeCenter Open Fabric Manager enables an administrator to pre-configure LAN and SAN connections. The I/O connections are assigned automatically when you plug in a blade server.

For more information about BladeCenter Open Fabric Manager, see <http://www.ibm.com/systems/bladecenter/hardware/openfabric/openfabricmanager.html>.

Storage Configuration Manager for the BladeCenter S system

The IBM Storage Configuration Manager is a systems management application used for managing and configuring SAS and storage devices.

Storage Configuration Manager uses Web-based standards. You can install it to run as a standalone application or as an application launched from IBM Director 5.20.2 or later to manage IBM Director storage managed objects.

Note:

The Storage Configuration Manager IBM Director extension launches Storage Configuration Manager tasks from the IBM Director Console. The Storage Configuration Manager Director Extension must be installed on both of the following systems:

- The system where the IBM Director Server is installed
- The system where the IBM Director Console is installed

Storage Configuration Manager features a web based console that can communicate to remote SAS connectivity modules or SAS RAID controller modules in the BladeCenter S chassis.

Use the Storage Configuration Manager for SAS connectivity module software to configure zoning for the installed SAS connectivity modules in your BladeCenter S chassis.

Use the Storage Configuration Manager for SAS RAID controller module software to configure storage pools and volumes for the installed SAS RAID controller modules in your BladeCenter S chassis

For more information about Storage Configuration Manager, see the *Storage Configuration Manager Planning, Installation, and Configuration Guide*.

Keyboard, video, and mouse

The advanced management module provides a set of USB connectors for attaching a keyboard and mouse, and a video connector for attaching a monitor to the BladeCenter S chassis.

The advanced management module provides a method for performing installation tasks, system management tasks and, if necessary, problem determination. You should either plan for a mobile keyboard, mouse, and monitor that can be attached to a specific BladeCenter S chassis when needed, or plan for rack space to install a keyboard, mouse, and monitor.

Planning for advanced management module configuration

The BladeCenter S system comes with a single hot-swap advanced management module located in the management module bay. Plan for configuration by making decisions and gathering information for Ethernet interfaces, alerts, login profiles, network protocols, and security.

The advanced management module is used to configure the BladeCenter S system and installed modules, such as Ethernet switch module IP addresses.

The advanced management module communicates with the service processor in each blade server for functions such as:

- Blade server power-on requests
- Blade server error and event reporting
- Blade server requests for keyboard, mouse, and video
- Blade server requests for CD-ROM drive and USB port

The advanced management module also communicates with the I/O modules, power modules, fan modules, and blade servers to detect presence or absence and any error conditions, and sending alerts when required.

Use the information provided in this section along with the “Advanced management module configuration worksheet” on page 93 to plan for the configuration of the advanced management module.

Advanced management module general settings

General settings for the advanced management module include name, contact, location, and real-time clock settings.

Make choices for the following settings:

- Advanced management module name.
- Name of the contact person responsible for the advanced management module.
- Physical location of the advanced management module.
- Real-time clock settings in the advanced management module, including network time protocol (NTP) settings for the advanced management module.
- Trespass warning text and enablement. You can choose to have a warning displayed each time users log into the advanced management module and decide what that warning should say.

Advanced management module user profile settings

You can specify up to 12 login profiles that can access the advanced management module.

For each login profile, specify:

- Login ID.
- Password.
- Role or Authority level. The role or authority level defines the command areas that a user can access, based on the access scope defined for that user. You can specify one of the following for each login ID:
 - Supervisor
 - Operator
 - Custom
- Access scope. The access scope defines where the role or user authority defined for a user is valid, such as a specific BladeCenter S chassis or a group of blade servers.

In addition, you can specify an SNMP v3 profile for each user profile that includes the following information:

- Name of the context in which this SNMP v3 user is working
- Authentication protocol used
- Privacy protocol used
- Privacy password to be used
- Access type (Get, Set, or Trap)
- Hostname/IP address for traps

Security settings

There are three levels of account security, which is set globally and applies to all user profiles:

- **Legacy security.** This level of security has the following settings:
 - No password is required.
 - No password expiration.
 - No restrictions on reusing passwords.
 - No password change frequency restrictions.
 - User accounts are locked for two minutes after five login failures.
 - Passwords must adhere to simple password rules.
 - No account inactivity monitoring.
- **High security.** This level of security has the following settings:

- A Password is required.
- The password for the factory default USERID must be changed on next login.
- The password for all user IDs must be changed on first login, and passwords expire in 90 days.
- There are restrictions on reusing passwords (last 5 passwords kept in history).
- There is a minimum interval of 24 hours between password changes.
- Account is locked for 60 minutes after five login failures.
- Passwords must adhere to complex password rules (at least two degrees of difference from previous password).
- An alert is issued on account inactivity after 120 days.
- Accounts disabled after 180 days of inactivity.
- **Custom security.** With this level of security, you can specify the following:
 - Whether a user login password required.
 - Password expiration period.
 - Minimum password reuse cycle.
 - Minimum password change interval.
 - Maximum number of login failures.
 - Lockout period after maximum login failures.
 - Complex password rules.
 - Minimum different characters in passwords.
 - Whether the factory default 'USERID' account password must be changed on next login.
 - Whether to force users to change their password on the first login.
 - Inactivity alert period.
 - Inactivity alert and disable period.

Advanced management module alert settings

Configure who should receive critical alerts, warning alerts, and system alerts and how to transmit the alert notifications.

- Which alerts are monitored (such as critical, warning, and system alerts).
- Where to and to whom alerts are sent.
- How alerts are sent (such as SNMP, e-mail, IBM Director).
- How often to retry alert notification and the delay between retries.
- Whether to include the event log with notifications.

Advanced management module serial port settings

You can configure the communications settings for the advanced management module serial port, such as the baud rate, error checking parity, and number of stop bits.

The serial port is a RJ-45 connector located on the back of the advanced management module. Connections made using the serial port can access only the advanced management module command-line interface.

Advanced management module port assignments

Determine how to configure the ports on the advanced management module.

Typically, you will not need to change port assignments from the default values. If you do experience conflicts after initial setup, you can change the port settings at a later time.

The following advanced management module ports can be configured:

- HTTP
- HTTPS
- Telnet
- SSH
- SNMP Agent
- SNMP Traps
- FTP
- FTP Data
- TFTP
- Remote Disk
- Remote Disk-On-Card
- Remote KVM
- Storage Description Service
- TCP Command Mode
- SLP
- SMASH CLP
- Secure SMASH CLP

Advanced management module network interface settings

You can configure an external Ethernet network interface used to communicate with the remote management and console.

Determine whether or not the advanced management module will use DHCP to obtain an IP address or use a static IP address.

In addition, you can determine the IP addresses for the I/O modules (or accept the defaults).

Advanced management module network protocols settings

Determine the information to be used for each of the protocols supported by the BladeCenter S system.

You can choose to configure the following network protocols:

- Simple Network Management Protocol (SNMP)
- Domain Name Server (DNS)
- Simple Mail Transfer Protocol (SMTP)
- Lightweight Directory Access Protocol (LDAP)
- Web access (HTTP/HTTPS)
- Telnet protocol
- TCP command mode protocol
- Service Location Protocol (SLP)
- File Transfer Protocol (FTP)
- Trivial File Transfer Protocol (TFTP)
- Remote Control
- SMASH Command Line Protocol (CLP)
- Syslog protocol

Advanced management module security settings

Determine the information to be used for network security.

You can configure the following security settings:

- Data encryption. Determine whether or not to encrypt sensitive data, such as passwords and keys.
- SSL server.
- SSL client.
- SSH server.
- SSH server keys.

Ethernet switch module configuration planning

One Ethernet switch module or copper pass-thru module is required in switch module bay 1 of your BladeCenter S chassis to enable communication between the blade servers and an external Ethernet network.

You have the option of installing an additional Ethernet switch module in I/O module bay 2. Remember that if you do, you will also need to install an Ethernet expansion card option in each blade server that will access the external Ethernet network through the switch module in I/O module bay 2.

There are several options to consider, depending on the Ethernet switch module that you are installing:

- Switch settings
- Port settings
- SNMP
- User accounts
- TFTP
- VLANs

Important: The default VLAN ID 4095 is used for internal communications between the advanced management module and the blade servers. Do not remove this VLAN.

- Multicasting
- Mirroring
- Spanning tree
- Class of service
- Link aggregation
- Enable external ports for management

Refer to your specific Ethernet switch documentation for more information about the various options. You can find the documentation for Ethernet switch modules at the IBM Systems Information Center, which is at <http://publib.boulder.ibm.com/infocenter/systems/index.jsp>. To access the I/O module documentation from this site, click **Systems hardware > BladeCenter information > I/O modules**.

To determine which Ethernet switch modules are compatible with the BladeCenter S chassis, see the IBM ServerProven Web site at <http://www.ibm.com/servers/eserver/serverproven/compat/us/eserver.html>.

Important: The BladeCenter S system ships with the external ports of the Ethernet Switch module set to *disabled*. Before any communication with the ports is possible, the ports must first be enabled through the advanced management module configuration panels. After the Ethernet Switch module ports are enabled, a system management workstation can communicate with the Ethernet switch module using the Web user interface or Telnet commands.

Planning for SAS connectivity module zoning

Plan for the SAS connectivity module and the zoning of SAS connectivity module ports, which enables blade servers to access specific hard disk drives.

For each SAS connectivity module, you will need to determine the following settings:

- Nickname. Description used for each SAS connectivity module.
- TCP ports to use for administration, events, and firmware download.
- Whether or not to use a Network Time Protocol (NTP) server for the date and time.

When you configure the zoning for the BladeCenter S system, you determine which disks are accessible by each of the blade servers. In addition, you determine which external ports on the SAS connectivity module are accessible by each of the blade servers.

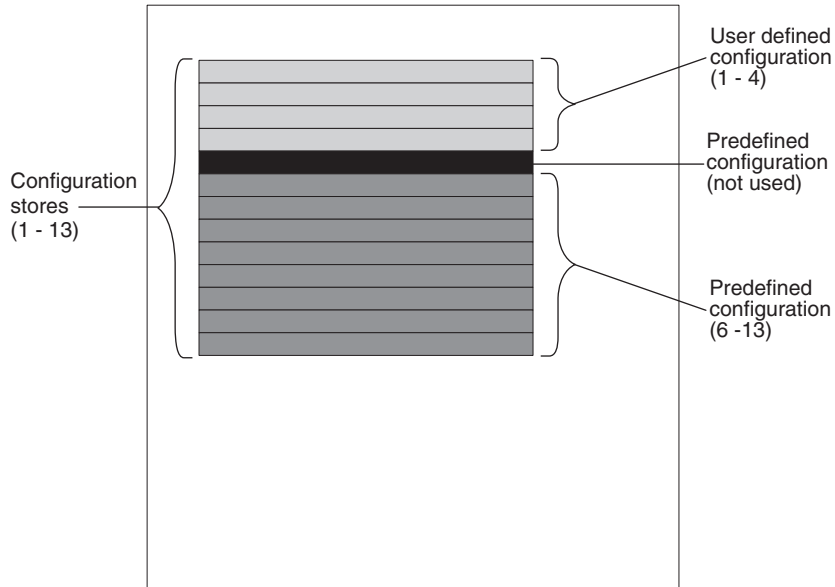
If both disk storage modules are installed, each blade server will typically have access to disks in each of the disk storage modules.

Use the “SAS connectivity module configuration worksheet” on page 101 to record your planning decisions.

Configuration stores

Each SAS connectivity module contains 13 configuration stores. It can contain up to four user-defined configurations in addition to the nine predefined configurations.

Note: Predefined configuration 01 is not intended for use with the BladeCenter S system.



Important: If you are implementing two SAS connectivity modules, make sure that you specify the same configuration (either user-defined or predefined) for both SAS connectivity modules.

User-defined configurations

You can specify up to four unique, user-defined configurations for the integrated shared storage installed in the BladeCenter S system.

There are two ways to specify your own integrated storage configuration:

- Through the SAS connectivity module, using either the Web-based user interface or the command-line interface.
- Using Storage Configuration Manager.

After specifying a configuration, you can save it and export it for use in another BladeCenter S system.

To plan for a user-defined storage configuration:

- Determine which hard disk drives in disk storage module 1 will be mapped to each of the blade servers in the BladeCenter S system.
- Determine which hard disk drives in disk storage module 2 will be mapped to each of the blade servers in the BladeCenter S system.
- Determine which external ports on the SAS connectivity module in I/O module bay 3 will be accessible by each of the blade servers.

- Determine which external ports on the SAS connectivity module in I/O module bay 4 (if installed) will be accessible by each of the blade servers.

Planning considerations

Consider the following when planning for integrated storage:

- Map a blade server to one or more disks in each of the disk storage modules. Then you can configure the disks as a RAID array to reduce the potential for a hard disk failure causing a blade server to lose access to the storage.
To set up and manage RAID arrays, you can choose from these options:
 - LSI Configuration Utility, which is provided on the blade server itself.
 - MegaRAID Storage Manager, which is provided on CD-ROM with the SAS expansion option. MegaRAID Storage Manager is available for Windows and Linux, and it enables you to create and manage RAID arrays.
 - ServerGuide, which you can use to install the Microsoft Windows operating system on a blade server.
- Map the blade server to the same hard disks in both disk storage modules to reduce management complexity. For example, if you choose to map the blade server in blade server bay 1 to the hard disk drive in hard disk drive bay 1 of one disk storage module, map the same blade server to the hard disk drive in hard disk drive bay 1 of the second disk storage module.

Predefined configurations

Several predefined configurations are available to help in configuring the zoning for the SAS connectivity module.

Predefined configurations are available to support most typical environments. There are several ways to choose a predefined configuration, including:

- Storage Configuration Manager
- Advanced management module configuration wizard
- Advanced management module Web based user interface
- The SAS connectivity module command-line interface (CLI)

Note: Predefined configuration 01 is not intended to be used with the BladeCenter S system.

Predefined configurations cannot be modified. Therefore, when choosing a predefined configuration, plan for future growth. For example, if you are currently going to install a single blade server, but you intend to install additional blade servers in the future, you might consider choosing the predefined configuration that supports the total number of blade servers that will be installed. Then, when you do install additional blade servers, you will not need to modify the predefined configuration.

If you implement a predefined configuration that meets your current requirements and then change the BladeCenter S system (such as adding an additional blade server), you will need to choose a new predefined configuration that matches the BladeCenter S system setup.

Tip: You can use Storage Configuration Manager to edit a predefined configuration. However, you must save any changes that you make as one of the four user-defined configurations.

Predefined storage configuration 02

Use predefined storage configuration 02 to implement up to six blade servers, two SAS connectivity modules, and up to two disk storage modules, each with up to six hard disk drives. Each blade server can access one hard disk drive in each disk storage module and all external ports on both SAS connectivity modules.

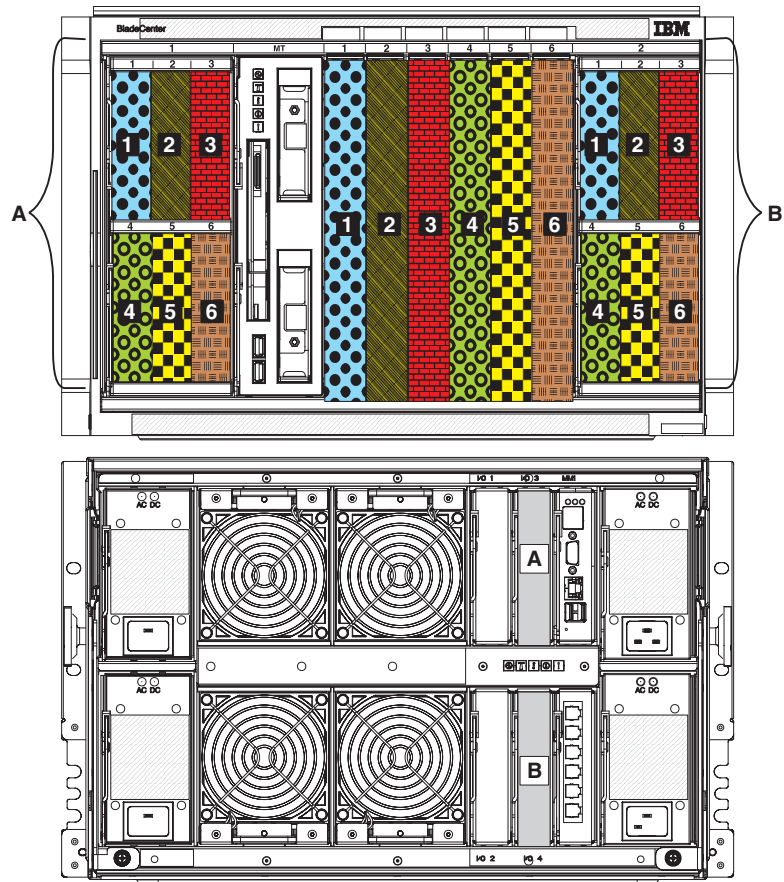
This configuration has the following characteristics:

- Each blade server has access to a single hard disk drive in each disk storage module (for a maximum of two hard disk drives if you are implementing both disk storage modules).

With this predefined configuration, blade server bays are mapped to hard disk drive locations in each storage module. The location of the hard disk drives in each storage module is important. For example, if you install a blade server in blade server bay 3, it can access only the hard drives located in hard drive bay 3 of each storage module.

- The SAS connectivity module in I/O module bay 3 controls access to the hard disk drives in disk storage module 1.
- The SAS connectivity module in I/O module bay 4 controls access to the hard disk drives in disk storage module 2.
- All blade servers have access to all external ports on both SAS connectivity modules.

Note: This configuration maps the hard disks to the blade servers and the blade servers to the external ports on the SAS connectivity module. You will need to use the LSI Configuration Utility, MegaRAID Storage Manager, or ServerGuide to set up mirroring.



Predefined storage configuration 03

Use predefined storage configuration 03 to implement up to six blade servers, one SAS connectivity module, and up to two disk storage modules, each with up to six hard disk drives. Each blade server can access one hard disk drive in each disk storage module and all external ports on the SAS connectivity module.

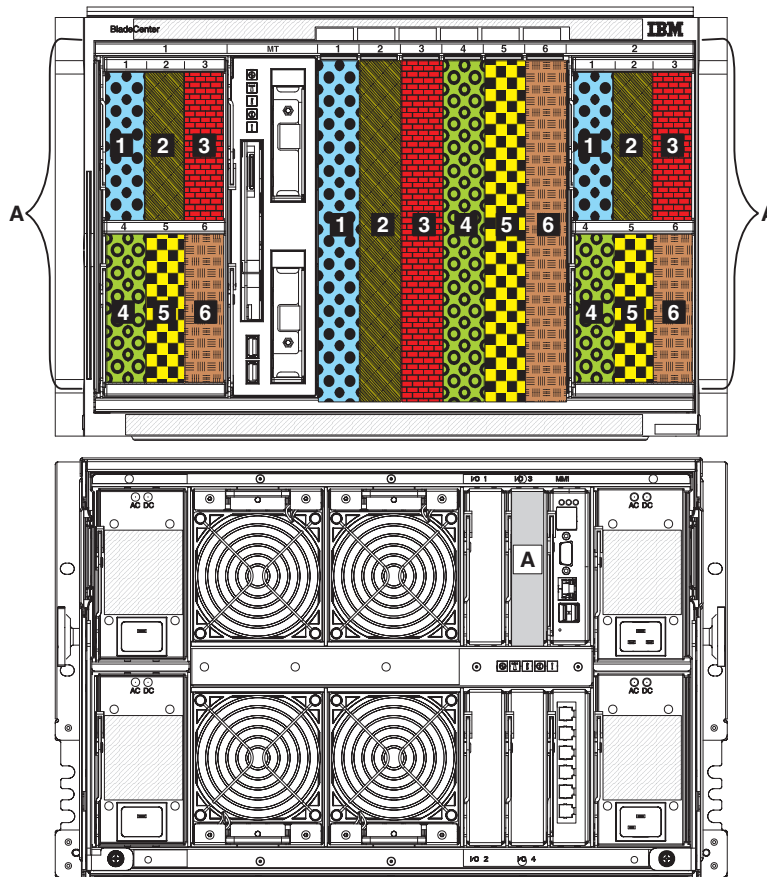
This configuration has the following characteristics:

- Each blade has access to a single hard disk drive in each disk storage module (for a maximum of two hard disk drives if you are implementing both disk storage modules).

With this predefined configuration, blade server bays are mapped to hard disk drive locations in each storage module. The location of the hard disk drives in each storage module is important. For example, if you install a blade server in blade server bay 3, it can access only the hard drives located in hard drive bay 3 of each storage module.

- The SAS connectivity module must be installed in I/O module bay 3 and controls access to the hard disk drives in both disk storage modules.
- All blade servers have access to all external ports on the SAS connectivity module.

Note: This configuration maps the hard disks to the blade servers and the blade servers to the external ports on the SAS connectivity module. You will need to use the LSI Configuration Utility, MegaRAID Storage Manager, or ServerGuide to set up mirroring.



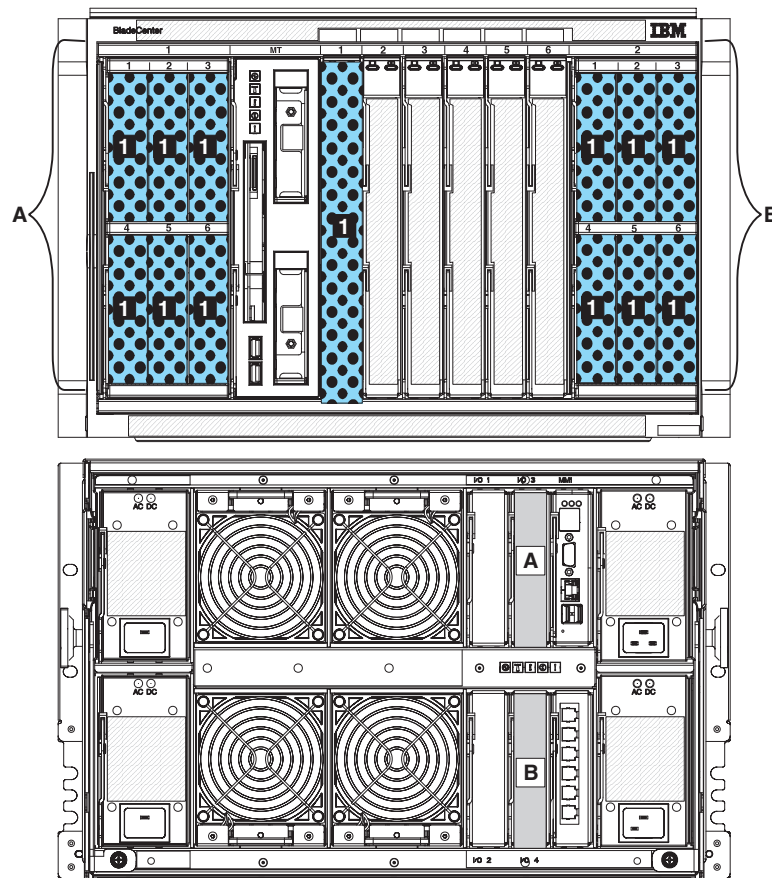
Predefined storage configuration 04

Use predefined storage configuration 04 to implement a single blade server, two SAS connectivity modules, and up to two disk storage modules, each with up to six hard disk drives. The blade server can access all hard disk drives in both disk storage modules and all external ports on both SAS connectivity modules.

This configuration has the following characteristics:

- The blade server has access to all hard disk drives in both disk storage modules (for a maximum of 12 hard disk drives if you are implementing both disk storage modules).
- The SAS connectivity module in I/O module bay 3 controls access to the hard disk drives in disk storage module 1.
- The SAS connectivity module in I/O module bay 4 controls access to the hard disk drives in disk storage module 2.
- The blade server has access to all external ports on both SAS connectivity modules.

Note: This configuration maps the hard disks to the blade servers and the blade servers to the external ports on the SAS connectivity module. You will need to use the LSI Configuration Utility, MegaRAID Storage Manager, or ServerGuide to set up mirroring.



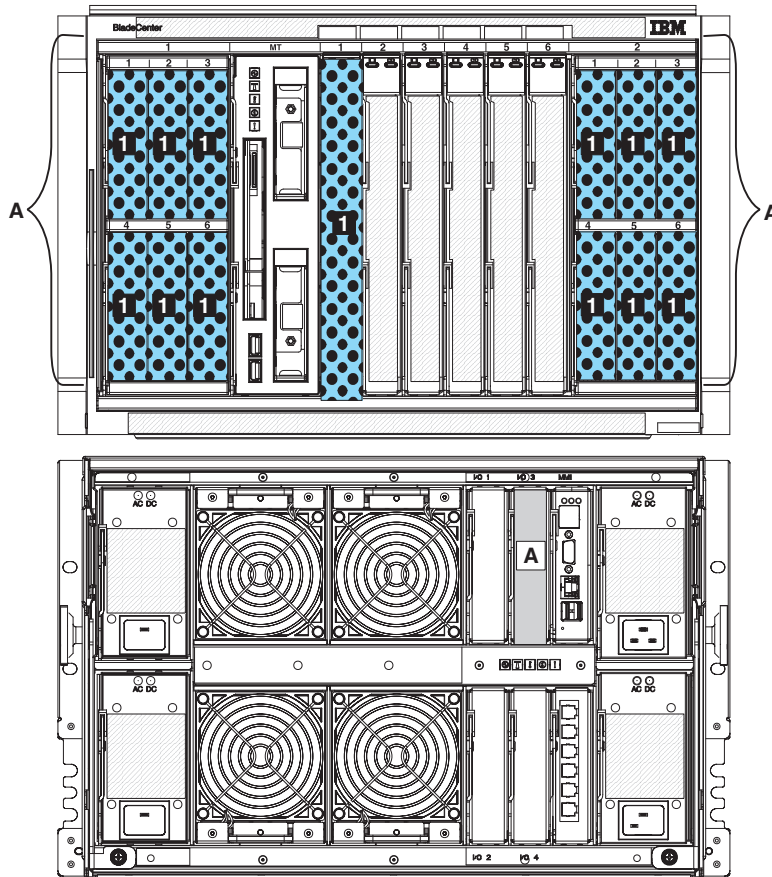
Predefined storage configuration 05

Use predefined storage configuration 05 to implement a single blade server, one SAS connectivity module, and up to two disk storage modules, each with up to six hard disk drives. The blade server can access all hard disk drives in both disk storage modules and all external ports on the SAS connectivity module.

This configuration has the following characteristics:

- The blade server has access to all hard disk drives in both disk storage modules (for a maximum of 12 hard disk drives if you are implementing both disk storage modules).
- The SAS connectivity module must be installed in I/O module bay 3 and controls access to the hard disk drives in both disk storage modules.
- The blade server has access to all external ports on the SAS connectivity module.

Note: This configuration maps the hard disks to the blade servers and the blade servers to the external ports on the SAS connectivity module. You will need to use the LSI Configuration Utility, MegaRAID Storage Manager, or ServerGuide to set up mirroring.



Predefined storage configuration 06

Use predefined storage configuration 06 to implement three blade servers, two SAS connectivity modules, and up to two disk storage modules, each with up to six hard disk drives. Each blade server can access two hard disk drives in each disk storage module and all external ports on both SAS connectivity modules.

This configuration has the following characteristics:

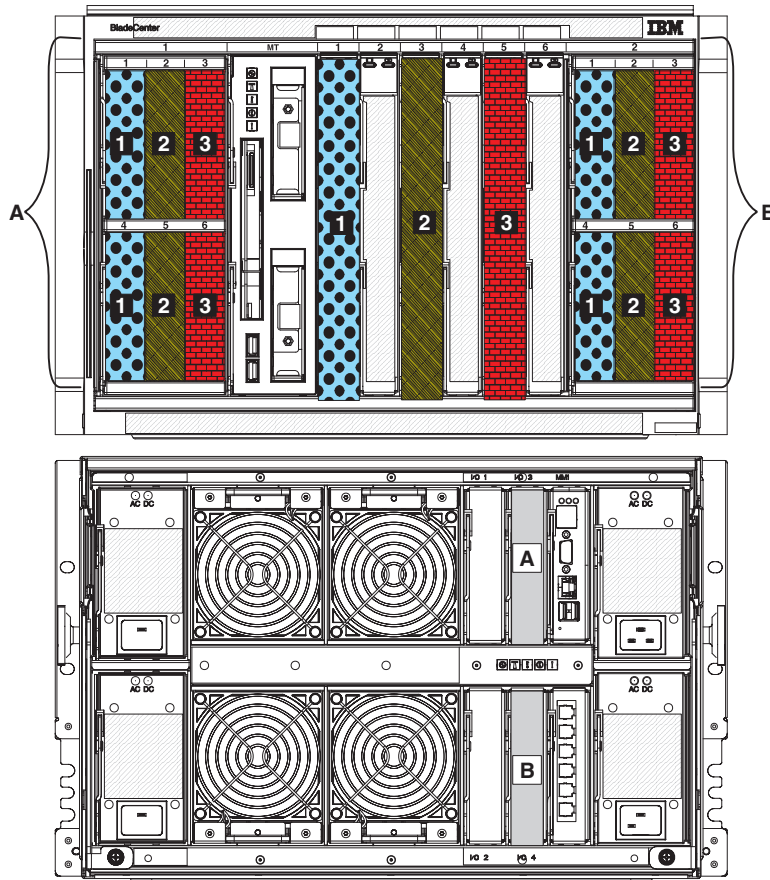
- Each blade server can access up to two hard disk drives in each disk storage modules (for a maximum of four hard disk drives if you are implementing both disk storage modules).

With this predefined configuration, blade server bays are mapped to hard disk drive locations in each storage module. The location of the hard disk drives in each storage module is important. For example, if you install a blade server in blade server bay 3, it can access only the hard drives located in hard drive bay 3 and hard drive bay 5 of each storage module.

- The SAS connectivity module in I/O module bay 3 controls access to the hard disk drives in disk storage module 1.
- The SAS connectivity module in I/O module bay 4 controls access to the hard disk drives in disk storage module 2.
- All blade servers have access to all external ports on both SAS connectivity modules.

Note: This configuration maps the hard disks to the blade servers and the blade servers to the external ports on the SAS connectivity module. You will need to use the LSI Configuration Utility, MegaRAID Storage Manager, or ServerGuide to set up mirroring.

Required: If you are going to use this configuration, the placement of the blade servers in the BladeCenter S system is important. Blade servers **must** be installed in blade server bays 1, 3, and 5. Blade servers installed in any other blade server bay will not be able to access the integrated shared storage.



Predefined storage configuration 07

Use predefined storage configuration 07 to implement three blade servers, one SAS connectivity module, and up to two disk storage modules, each with up to six hard disk drives. Each blade server can access two hard disk drives in each disk storage module and all external ports on the SAS connectivity module.

This configuration has the following characteristics:

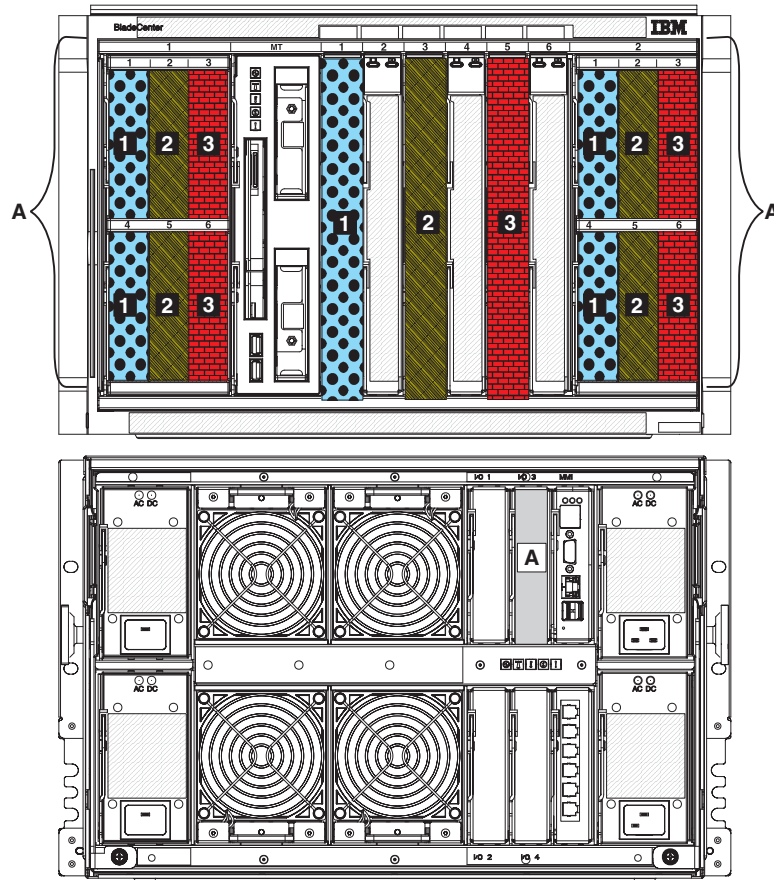
- Each blade server can access up to two hard disk drives in each disk storage modules (for a maximum of four hard disk drives if you are implementing both disk storage modules).

With this predefined configuration, blade server bays are mapped to hard disk drive locations in each storage module. The location of the hard disk drives in each storage module is important. For example, if you install a blade server in blade server bay 3, it can access only the hard drives located in hard drive bay 3 and hard drive bay 5 of each storage module.

- The SAS connectivity module must be installed in I/O module bay 3 and controls access to the hard disk drives in both disk storage modules.
- All blade servers have access to all external ports on the SAS connectivity module.

Note: This configuration maps the hard disks to the blade servers and the blade servers to the external ports on the SAS connectivity module. You will need to use the LSI Configuration Utility, MegaRAID Storage Manager, or ServerGuide to set up mirroring.

Required: If you are going to use this configuration, the placement of the blade servers in the BladeCenter S system is important. Blade servers **must** be installed in blade server bays 1, 3, and 5. Blade servers installed in any other blade server bay will not be able to access the integrated shared storage.



Predefined storage configuration 08

Use predefined storage configuration 08 to implement two blade servers, two SAS connectivity modules, and up to two disk storage modules, each with up to six hard disk drives. Each blade server can access three hard disk drives in each disk storage module and all external ports on both SAS connectivity modules.

This configuration has the following characteristics:

- Each blade server can access up to three hard disk drives in each disk storage modules (for a maximum of six hard disk drives if you are implementing both disk storage modules).

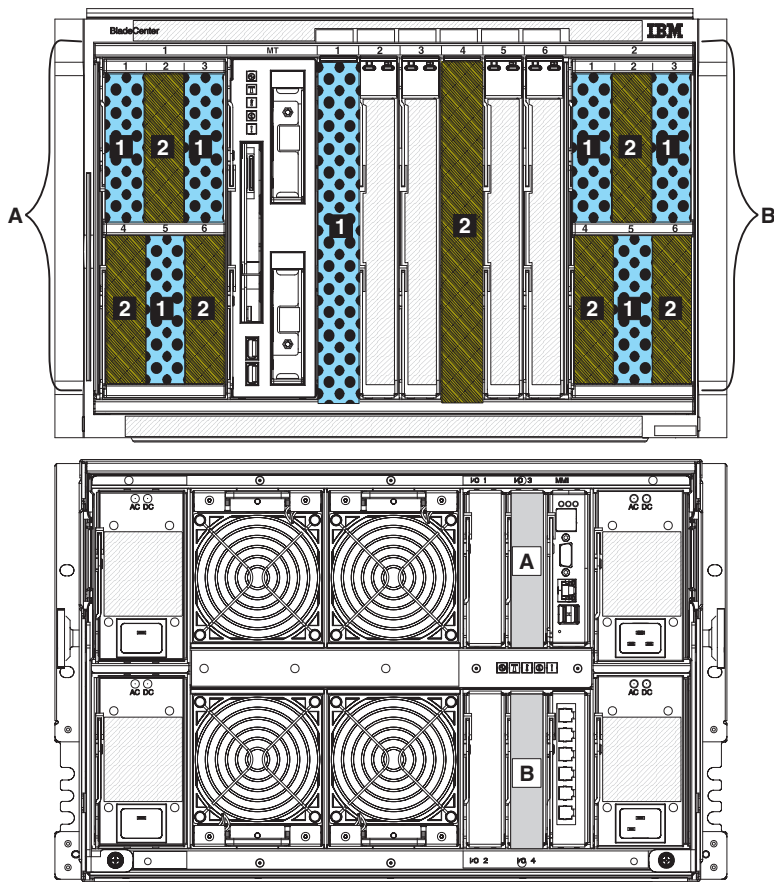
With this predefined configuration, blade server bays are mapped to hard disk drive locations in each storage module. The location of the hard disk drives in each storage module is important. For example, if you install a blade server in blade server bay 4, it can access only the hard drives located in hard drive bay 2, hard drive bay 4, and hard drive bay 6 of each storage module.

- The SAS connectivity module in I/O module bay 3 controls access to the hard disk drives in disk storage module 1.
- The SAS connectivity module in I/O module bay 4 controls access to the hard disk drives in disk storage module 2.

- All blade servers have access to all external ports on both SAS connectivity modules.

Note: This configuration maps the hard disks to the blade servers and the blade servers to the external ports on the SAS connectivity module. You will need to use the LSI Configuration Utility, MegaRAID Storage Manager, or ServerGuide to set up mirroring.

Required: If you are going to use this configuration, the placement of the blade servers in the BladeCenter S system is important. Blade servers **must** be installed in blade server bays 1 and 4. Blade servers installed in any other blade server bay will not be able to access the integrated shared storage.



Predefined storage configuration 09

Use predefined storage configuration 09 to implement two blade servers, one SAS connectivity module, and up to two disk storage modules, each with up to six hard disk drives. Each blade server can access three hard disk drives in each disk storage module and all external ports on the SAS connectivity module.

This configuration has the following characteristics:

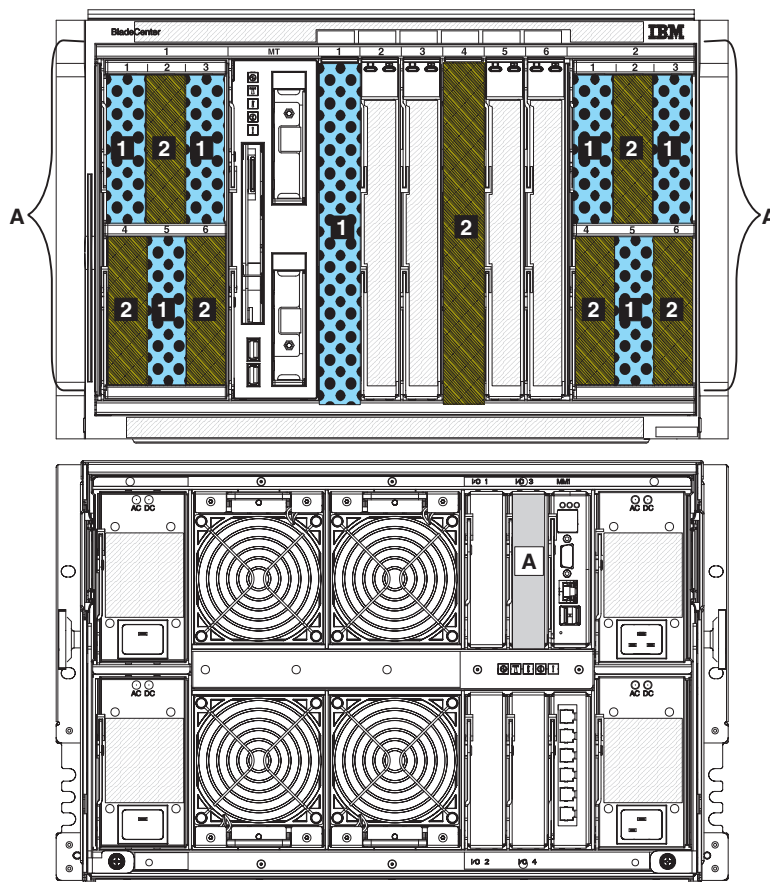
- Each blade server can access up to three hard disk drives in each disk storage module (for a maximum of six hard disk drives if you are implementing both disk storage modules).

With this predefined configuration, blade server bays are mapped to hard disk drive locations in each storage module. The location of the hard disk drives in each storage module is important. For example, if you install a blade server in blade server bay 4, it can access only the hard drives located in hard drive bay 2, hard drive bay 4, and hard drive bay 6 of each storage module.

- The SAS connectivity module must be installed in I/O module bay 3 and controls access to the hard disk drives in both disk storage modules.
- All blade servers have access to all external ports on the SAS connectivity module.

Note: This configuration maps the hard disks to the blade servers and the blade servers to the external ports on the SAS connectivity module. You will need to use the LSI Configuration Utility, MegaRAID Storage Manager, or ServerGuide to set up mirroring.

Required: If you are going to use this configuration, the placement of the blade servers in the BladeCenter S system is important. Blade servers **must** be installed in blade server bays 1 and 4. Blade servers installed in any other blade server bay will not be able to access the integrated shared storage.



Planning for SAS RAID controller module

The SAS RAID controller module is a SAS switch and a RAID controller packaged into a single module. It is designed to enable you to share the integrated storage among all blade servers in the BladeCenter S chassis and implement a RAID solution for that storage.

Each SAS RAID controller module provides internal ports to communicate with the hard disk drives in each of the disk storage modules. In addition, the SAS RAID controller module communicates with each of the ports on the SAS expansion card option that is installed in a blade server (the SAS expansion card option provides two ports). This provides a redundant path to the SAS RAID controller modules.

Note: External ports on the SAS RAID controller module are not currently supported.

You must install two SAS RAID controller modules, one in I/O module bay 3 and the other in I/O module bay 4. In addition, you must install a SAS expansion card option in each of the blade servers that will have access to the integrated shared storage.

Note:

- Only SAS hard disk drives are supported by the SAS RAID controller module.
- If you are installing both disk storage modules, hard disk drives should be installed evenly across the disk storage modules. Depending on your storage pool configuration, this enables you to split primary and secondary volumes so that the storage pool will remain viable if one of the storage modules goes offline.

Battery backup units provide backup of the SAS RAID controller module cache so that data is not lost in the event of a power failure. Battery backup units are required. Each battery backup unit provides backup support for one of the SAS RAID controller modules.

- Battery backup unit 1 provides backup support for the SAS RAID controller module installed in I/O module bay 3.
- Battery backup unit 2 provides backup support for the SAS RAID controller module installed in I/O module bay 4.

Defining storage pools

The SAS RAID controller modules support the implementation of RAID 0, RAID 1, RAID 5, and RAID 0+1. Typically, you will define two storage pools.

A *storage pool* (also called a *RAID array*) is a collection of disk drives that become a logical entity. When you create a storage pool, you select the desired capacity (number of disk drives) and assign a RAID level to it which will provide a redundancy level.

Storage pools are assigned to a primary SAS RAID controller module when they are created. Defining two or more storage pools, and alternating storage pool ownership between the two SAS RAID controller modules will generally result in better performance.

Note: When defining storage pools using Storage Configuration Manager Web interface, the system will automatically select the primary controller for a new storage pool to maximize balanced performance.

Use the following considerations when planning for storage pools:

- All hard disk drives in a storage pool must be the same type, and a disk drive can only belong to one storage pool.

Note: When installing SAS RAID controller modules in a BladeCenter S chassis, you must use SAS hard disk drives. SATA hard disk drives are not supported.

- When determining which hard disk drives are in a storage pool, you should use hard disk drives from both disk storage modules (if both are installed) to maintain the highest availability. For example, if you are implementing a RAID 1 storage pool, consider using a hard disk drive in one disk storage module and mirroring that drive to a hard disk drive in the other disk storage module.

You can choose from the following RAID implementations when defining storage pools:

Important:

RAID 0

Also known as a striped set or a striped volume, a RAID 0 implementation stores data evenly across two or more hard disk drives. No data redundancy is available. To implement RAID 0, you must use at least 2 hard disk drives.

You can implement RAID 0 with hard disk drives of different sizes. However, the storage space added to the storage pool by each disk is limited to the size of the smallest disk. For example, if you implement RAID 0 with a hard disk drive that is 120GB and a hard disk drive that is 100GB, the total size of the storage pool is 200GB.

RAID 1

A RAID 1 implementation creates an exact copy of data (also called mirroring) on two or more hard disk drives. Each hard disk drive in the storage pool contains a complete copy of the data and it can be addressed independently.

RAID 5

A RAID 5 implementation uses block-level striping with parity data distributed across all hard disk drives in the storage pool. You can increase the number of hard disk drives in the storage pool dynamically. To implement RAID 5, you must use at least 3 hard disk drives.

RAID 1+0

A RAID 1+0 implementation combines the function of RAID 0 with the function of RAID 1. Drives are mirrored and data is striped across those drives. To implement RAID 1+0, you must use at least 4 hard disk drives.

Defining volumes

After you define storage pools, you need to break the storage pools into discrete areas of storage, which are called *volumes*. Each blade server can access one or more of these volumes.

Volumes are typically defined as either data volumes, which are used to store application data, or boot volumes, which are used to store the operating system image. For each volume, you need to determine the following characteristics:

- The size (in GBs)
- The blade server or servers that will have access to the volume
- Any applications on the blade servers that need access to the volume
-

After defining this information, you can use the “SAS RAID controller module configuration worksheet” on page 103 to record your decisions.

Zone for SAS RAID controller modules

A single predefined zone configuration is available for the SAS RAID controller module. All blade servers can access both SAS RAID controller modules, and the SAS RAID controller modules have access to the hard disk drives in both disk storage modules.

This configuration should be acceptable for most environments. Access to specific storage volumes is controlled by enabling host access to each volume using one of the management interfaces.

Replacing SAS connectivity modules with SAS RAID controller modules

If you are currently using SAS connectivity modules and you want to replace them with SAS RAID controller modules, make sure that you back up your existing data before you install the SAS RAID controller modules.

Note: If you are going to implement SAS RAID controller modules, make sure that you have SAS hard disk drives installed in any attached storage modules. The use of SATA hard disk drives is not supported with SAS RAID controller modules.

Perform these steps to replace SAS connectivity modules with SAS RAID controller modules:

1. Back up all data that is currently stored on the hard disk drives. For example, you can use SAMBA or an NFS mount through the operating system to back up data.
2. Shut down the operating system on all blade servers that access the hard disk drives.
3. Disconnect the BladeCenter S chassis from all power sources.
4. Remove the SAS connectivity modules from I/O module bays 3 and 4.
5. Install the battery backup units in the media tray.
6. Install the SAS RAID controller modules.

Note: Remember that you must replace any SATA hard disk drives with SAS hard disk drives.

7. Connect the BladeCenter S chassis to power.

8. Configure the SAS RAID controller modules and integrated shared storage by creating storage pools, creating volumes, and mapping volumes to blade servers. You can use Storage Configuration Manager to configure your integrated shared storage.
9. Copy all data from the backup location to the new volumes, using appropriate backup and restore tools.

Appendix A. Installation planning worksheets

Use the installation planning worksheets to gather the information that you will need for the physical installation of the BladeCenter S system in your organization.

Blade server and workstation blade installation worksheet

Use this worksheet to describe each blade server and workstation blade that you plan to install in the BladeCenter S system. Fill out one worksheet for each blade server that you will install.

The following factors drive the choices you make when filling out a blade server worksheet:

- What applications will this server provide?
- Which operating system will the server use?
- What are the redundancy requirements for this server? Redundancy is handled at multiple levels:
 - Blade server level - a mirror image blade server that resides in the same BladeCenter S chassis or in a different BladeCenter S chassis.
 - BladeCenter S system level - a mirror image BladeCenter S system that resides in the same rack or in a different rack.
 - Rack level - a set of BladeCenter S systems in a rack that mirrors a set of BladeCenter S systems in a different rack.
- What are the network connectivity requirements for this server, including physical connectivity for a redundant path?

How to fill out this worksheet:

1. Record the name and purpose of this server.
2. Record the operating system on the worksheet.
3. Select an installation option for the operating system.
4. Record the applications for this server.
5. Chose the I/O module bay that this server uses to communicate with an Ethernet switch module; circle 1, 2, 3, or 4.

Note:

- I/O module bays 3 and 4 require a SAS expansion card option in the blade server.
 - I/O module bay 2 requires an expansion card option, such as the 2/4 Port Ethernet Expansion Card
6. Select **Automatic through DHCP server** or **Static** and record the IP address information. (The host name can be up to 63 characters.)

Table 9. BladeCenter HC10 workstation blade worksheet

<p>Workstation blade model: _____</p> <p>Workstation blade name: _____</p> <p>Note: Blade name has a maximum of 20 characters.</p> <p>Workstation blade purpose: _____</p> <p>_____</p> <p>Operating system: _____</p> <p>OS installation option:</p> <p><input type="checkbox"/> Preloaded</p> <p><input type="checkbox"/> Deployed through network management</p> <p><input type="checkbox"/> Manual install with product CD.</p> <p>Workstation blade IP information:</p> <p><input type="checkbox"/> Automatic through DHCP server</p> <p><input type="checkbox"/> Static:</p> <p style="margin-left: 20px;">Host name _____</p> <p style="margin-left: 20px;">Subnet mask _____</p> <p style="margin-left: 20px;">IP address _____</p> <p style="margin-left: 20px;">Gateway address _____</p>	<p>Connects to I/O module</p> <p>I/O bay 1 _____</p> <p>I/O bay 2 _____</p> <p>I/O bay 3 _____</p> <p>I/O bay 4 _____</p> <p>Boot sequence:</p> <p>___ Internal hard disk drive</p> <p>___ Integrated storage drive</p> <p>___ CD-ROM</p> <p>___ Network</p> <p>Applications:</p> <p>1. _____</p> <p>2. _____</p> <p>3. _____</p>
--	---

BladeCenter S chassis blade bay location 1 2 3 4 5 6

Component	Quantity	Details	Base or optional feature
Workstation blade	1	Workstation blade with Intel™ Xeon processor	Base
Video graphics adapter	1	<input type="checkbox"/> NVIDIA Quadro FX 1600M <input type="checkbox"/> NVIDIA Quadro NVS 120M <input type="checkbox"/> Video pass-through	Base
Memory slots 1 and 2	2	<input type="checkbox"/> 512 MB <input type="checkbox"/> 1 GB <input type="checkbox"/> 2 GB	Base
Memory slots 3 and 4	2	<input type="checkbox"/> 512 MB <input type="checkbox"/> 1 GB <input type="checkbox"/> 2 GB	Optional
SATA internal hard disk drive	1	<input type="checkbox"/> 60 GB	Optional

Table 11. BladeCenter HS20 blade server worksheet

<p>Blade server model: _____</p> <p>Workstation blade name: _____</p> <p>Note: Blade name has a maximum of 20 characters.</p> <p>Blade server purpose: _____</p> <p>_____</p> <p>_____</p> <p>Operating system: _____</p> <p>OS installation option:</p> <p><input type="checkbox"/> Preloaded</p> <p><input type="checkbox"/> Deployed through network management</p> <p><input type="checkbox"/> Manual install with product CD.</p> <p>Blade server IP information:</p> <p><input type="checkbox"/> Automatic through DHCP server</p> <p><input type="checkbox"/> Static:</p> <p style="margin-left: 20px;">Host name _____</p> <p style="margin-left: 20px;">Subnet mask _____</p> <p style="margin-left: 20px;">IP address _____</p> <p style="margin-left: 20px;">Gateway address _____</p>	<p>Connects to I/O module</p> <p>I/O bay 1 _____</p> <p>I/O bay 2 _____</p> <p>I/O bay 3 _____</p> <p>I/O bay 4 _____</p> <p>Boot sequence:</p> <p>___ Internal hard disk drive</p> <p>___ Integrated storage drive</p> <p>___ CD-ROM</p> <p>___ Network</p> <p>Applications:</p> <p>1. _____</p> <p>2. _____</p> <p>3. _____</p>
--	---

BladeCenter S chassis blade bay location 1 2 3 4 5 6			
Component	Quantity	Details	Base or optional feature
Blade server	1	Blade server with Intel™ Xeon processor	Base with either two 256 or 512 MB memories
Second processor	1	Xeon DP	Optional
Memory slots 1 and 2	2	<input type="checkbox"/> 256 MB <input type="checkbox"/> 512 MB <input type="checkbox"/> 1 GB <input type="checkbox"/> 2 GB	Base
Optional memory choices for slots 3 and 4	2	<input type="checkbox"/> 512 MB <input type="checkbox"/> 1 GB <input type="checkbox"/> 2 GB	Two 256 or 512 MB base memory
EIDE hard disk drives	1 or 2	40 GB ATA 100; 5400 RPM	Optional (not supported for NEBS environment)
IDE Flash disk drive	1 or 2	<input type="checkbox"/> 1 GB <input type="checkbox"/> 2 GB <input type="checkbox"/> 4 GB	Optional
I/O Expansion option	1	<input type="checkbox"/> Ethernet <input type="checkbox"/> Fibre Channel <input type="checkbox"/> SAS	Optional
SCSI Storage Expansion option	1	Supports two additional hot-swapped SCSI hard disk drives	Optional
SCSI hard disk drive	1 or 2		Optional
PCI I/O Expansion option	1	Supports two PCI-X adapters	Optional

Table 11. BladeCenter HS20 blade server worksheet (continued)

PCI-X adapter 1			Optional
PCI-X adapter 2			Optional

Table 12. BladeCenter HS21 blade server worksheet

<p>Blade server model: _____</p> <p>Workstation blade name: _____</p> <p>Note: Blade name has a maximum of 20 characters.</p> <p>Blade server purpose: _____</p> <p>_____</p> <p>_____</p> <p>Operating system: _____</p> <p>OS installation option:</p> <p><input type="checkbox"/> Preloaded</p> <p><input type="checkbox"/> Deployed through network management</p> <p><input type="checkbox"/> Manual install with product CD.</p> <p>Blade server IP information:</p> <p><input type="checkbox"/> Automatic through DHCP server</p> <p><input type="checkbox"/> Static:</p> <p style="margin-left: 20px;">Host name _____</p> <p style="margin-left: 20px;">Subnet mask _____</p> <p style="margin-left: 20px;">IP address _____</p> <p style="margin-left: 20px;">Gateway address _____</p>	<p>Connects to I/O module</p> <p>I/O bay 1 _____</p> <p>I/O bay 2 _____</p> <p>I/O bay 3 _____</p> <p>I/O bay 4 _____</p> <p>Boot sequence:</p> <p><input type="checkbox"/> Internal hard disk drive</p> <p><input type="checkbox"/> Integrated storage drive</p> <p><input type="checkbox"/> CD-ROM</p> <p><input type="checkbox"/> Network</p> <p>Applications:</p> <p>1. _____</p> <p>2. _____</p> <p>3. _____</p>		
BladeCenter S chassis blade bay location 1 2 3 4 5 6			
Component	Quantity	Details	Base or optional feature
Blade server	1	Blade server with Intel™ Xeon processor	Base
Second processor	1	Xeon processor	Optional
Memory slots 1 and 2	2	<input type="checkbox"/> 512 MB <input type="checkbox"/> 1 GB <input type="checkbox"/> 2 GB <input type="checkbox"/> 4 GB	Base
Optional memory choices slots 3 and 4	2	<input type="checkbox"/> 512 MB <input type="checkbox"/> 1 GB <input type="checkbox"/> 2 GB <input type="checkbox"/> 4 GB	Optional
cKVM feature		<input type="checkbox"/> cKVM card	Optional
Internal hard disk drive	2	<input type="checkbox"/> 36 GB SAS <input type="checkbox"/> 73 GB SAS <input type="checkbox"/> 146 GB SAS <input type="checkbox"/> 15.8 GB Solid State <input type="checkbox"/> 31.4 GB Solid State	Optional

Table 12. BladeCenter HS21 blade server worksheet (continued)

Storage and I/O Expansion blade	1	<input type="checkbox"/> PCI I/O Expansion Unit 3e <input type="checkbox"/> Storage and I/O Expansion Blade	Optional
I/O Expansion option	1	<input type="checkbox"/> Ethernet <input type="checkbox"/> Fibre Channel <input type="checkbox"/> SAS	Optional

Table 13. BladeCenter HS21 XM blade server worksheet

<p>Blade server model: _____ Workstation blade name: _____ Note: Blade name has a maximum of 20 characters.</p> <p>Blade server purpose: _____ _____ _____</p> <p>Operating system: _____ OS installation option: <input type="checkbox"/> Preloaded <input type="checkbox"/> Deployed through network management <input type="checkbox"/> Manual install with product CD.</p> <p>Blade server IP information: <input type="checkbox"/> Automatic through DHCP server <input type="checkbox"/> Static: Host name _____ Subnet mask _____ IP address _____ Gateway address _____</p>	<p>Connects to I/O module I/O bay 1 _____ I/O bay 2 _____ I/O bay 3 _____ I/O bay 4 _____</p> <p>Boot sequence: ___ Internal hard disk drive ___ Integrated storage drive ___ CD-ROM ___ Network</p> <p>Applications: 1. _____ 2. _____ 3. _____</p>		
BladeCenter S chassis blade bay location 1 2 3 4 5 6			
Component	Quantity	Details	Base or optional feature
Blade server	1	Blade server with Intel™ Xeon processor	Base
Second processor	1	Xeon processor	Optional
Memory slots 1 and 2	2	<input type="checkbox"/> 512 MB <input type="checkbox"/> 2 GB <input type="checkbox"/> 1 GB <input type="checkbox"/> 4 GB	Base
Optional memory choices slots 3 and 4	2	<input type="checkbox"/> 512 MB <input type="checkbox"/> 2 GB <input type="checkbox"/> 1 GB <input type="checkbox"/> 4 GB	Optional
Optional Memory slots 5 and 6	2	<input type="checkbox"/> 512 MB <input type="checkbox"/> 2 GB <input type="checkbox"/> 1 GB <input type="checkbox"/> 4 GB	Optional
Optional memory choices slots 7 and 8	2	<input type="checkbox"/> 512 MB <input type="checkbox"/> 2 GB <input type="checkbox"/> 1 GB <input type="checkbox"/> 4 GB	Optional
cKVM feature		<input type="checkbox"/> cKVM card	Optional

Table 14. BladeCenter JS12 blade server worksheet (continued)

Memory slots 1 and 3. Select a memory size. (Optional)	2	<input type="checkbox"/> 512 MB <input type="checkbox"/> 1 GB <input type="checkbox"/> 2 GB <input type="checkbox"/> 4 GB	Optional; Second pair of DIMMs must match speed of first pair of DIMMs, but can vary in size, type, technology, and physical design.
Optional memory choices for slots 2 and 4 (Base)	2	<input type="checkbox"/> 1 GB <input type="checkbox"/> 2 GB	Each DIMM in this pair must be the same size, speed, type, technology, and physical design.
Serial Attached SCSI (SAS) hard disk drive	1 or 2	73.4 GB SAS 10 K RPM	Optional; Support for two internal small-form-factor SAS drives; Optional 146 GB SFF SAS drive available
Networking expansion card options: SFF Gb Ethernet CFFv Gb Ethernet CFFh InfiniBand LFF/PCIX SFF/PCIE high-speed	1	<input type="checkbox"/> Ethernet <input type="checkbox"/> Fibre Channel <input type="checkbox"/> InfiniBand	Optional; 1 GB Ethernet Dual Port Expansion Card, CFF/PCIX Combo 4 GB Fibre Channel/1GB E'Net Expansion Card, CFF/PCIE, (QLogic) Myricom Myrinet Cluster Expansion Card, LFF/PCIX (InfiniBand) 4X InfiniBand Dual Port Expansion Card, SFF/PCIE, (Cisco)
SCSI storage expansion option	1	Supports two additional hot-swapped SCSI hard disk drives	Optional; QLogic iSCSI Expansion Card for IBM eServer BladeCenter
Fibre Channel storage expansion card options: CFFv controller SFF controller CFFh controller	1	Supports two adapters	Optional; QLogic 4Gb SFF Fibre Channel Expansion Card for IBM eServer BladeCenter QLogic 4Gb Fibre Channel Expansion Card (CFFv) for IBM BladeCenter 4 GB Fibre Channel Dual Port Expansion Card, SFF/PCIX (Emulex)

Table 15. BladeCenter JS21 blade server worksheet

Blade server model: _____ Workstation blade name: _____ Note: Blade name has a maximum of 20 characters. Blade server purpose: _____ _____ _____ Operating system: _____ OS installation option: <input type="checkbox"/> Preloaded <input type="checkbox"/> Deployed through network management <input type="checkbox"/> Manual install with product CD. Blade server IP information: <input type="checkbox"/> Automatic through DHCP server <input type="checkbox"/> Static: Host name _____ Subnet mask _____._____._____._____ IP address _____._____._____._____ Gateway address _____._____._____._____ 	Connects to I/O module I/O bay 1 _____ I/O bay 2 _____ I/O bay 3 _____ I/O bay 4 _____ Boot sequence: <input type="checkbox"/> Internal hard disk drive <input type="checkbox"/> Integrated storage drive <input type="checkbox"/> CD-ROM <input type="checkbox"/> Network Applications: 1. _____ 2. _____ 3. _____
--	--

BladeCenter S chassis blade bay location 1 2 3 4 5 6			
Component	Quantity	Details	Base or optional feature
8844 blade server	1	Two single-core, 64-bit, IBM PowerPC® 970MP microprocessors (2.7 GHz in BladeCenter H unit, 2.6 GHz in other BladeCenter units) or two dual-core, 64-bit, IBM PowerPC 970MP microprocessors (2.5 GHz in BladeCenter H unit, 2.3 GHz in other BladeCenter units)	Base with two 1 GB dual inline memory modules (DIMMs) standard with 2-core (two single-core processors); two 2 GB DIMMs with 4-core (two dual-core processors).
Memory slots 1 and 3. Select a memory size. (Optional)	2	<input type="checkbox"/> 512 MB <input type="checkbox"/> 1 GB <input type="checkbox"/> 2 GB <input type="checkbox"/> 4 GB	Optional; Second pair of DIMMs must match speed of first pair of DIMMs, but can vary in size, type, technology, and physical design.
Optional memory choices for slots 2 and 4 (Base)	2	<input type="checkbox"/> 1 GB <input type="checkbox"/> 2 GB	Each DIMM in this pair must be the same size, speed, type, technology, and physical design.
Serial Attached SCSI (SAS) hard disk drive	1 or 2	73.4 GB SAS 10 K RPM	Optional; Support for two internal small-form-factor SAS drives; Optional 146 GB SFF SAS drive available

Table 15. BladeCenter JS21 blade server worksheet (continued)

Networking expansion card options: SFF Gb Ethernet CFFv Gb Ethernet CFFh InfiniBand LFF/PCIX SFF/PCIE high-speed	1	<input type="checkbox"/> Ethernet <input type="checkbox"/> Fibre Channel <input type="checkbox"/> InfiniBand	Optional; 1 GB Ethernet Dual Port Expansion Card, CFF/PCIX Combo 4 GB Fibre Channel/1GB E'Net Expansion Card, CFF/PCIE, (QLogic) Myricom Myrinet Cluster Expansion Card, LFF/PCIX (InfiniBand) 4X InfiniBand Dual Port Expansion Card, SFF/PCIE, (Cisco)
SCSI storage expansion option	1	Supports two additional hot-swapped SCSI hard disk drives	Optional; QLogic iSCSI Expansion Card for IBM eServer BladeCenter
Fibre Channel storage expansion card options: CFFv controller SFF controller CFFh controller	1	Supports two adapters	Optional; QLogic 4Gb SFF Fibre Channel Expansion Card for IBM eServer BladeCenter QLogic 4Gb Fibre Channel Expansion Card (CFFv) for IBM BladeCenter 4 GB Fibre Channel Dual Port Expansion Card, SFF/PCIX (Emulex)

Table 16. BladeCenter JS22 blade server worksheet

Blade server model: _____ Workstation blade name: _____ Note: Blade name has a maximum of 20 characters. Blade server purpose: _____ _____ _____ Operating system: _____ OS installation option: <input type="checkbox"/> Preloaded <input type="checkbox"/> Deployed through network management <input type="checkbox"/> Manual install with product CD. Blade server IP information: <input type="checkbox"/> Automatic through DHCP server <input type="checkbox"/> Static: Host name _____ Subnet mask _____ IP address _____ Gateway address _____	Connects to I/O module I/O bay 1 _____ I/O bay 2 _____ I/O bay 3 _____ I/O bay 4 _____ Boot sequence: ___ Internal hard disk drive ___ Integrated storage drive ___ CD-ROM ___ Network Applications: 1. _____ 2. _____ 3. _____
BladeCenter S chassis blade bay location 1 2 3 4 5 6	

Table 16. BladeCenter JS22 blade server worksheet (continued)

Component	Quantity	Details	Base or optional feature
8844 blade server	1	Two single-core, 64-bit, IBM PowerPC® 970MP microprocessors (2.7 GHz in BladeCenter H unit, 2.6 GHz in other BladeCenter units) or two dual-core, 64-bit, IBM PowerPC 970MP microprocessors (2.5 GHz in BladeCenter H unit, 2.3 GHz in other BladeCenter units)	Base with two 1 GB dual inline memory modules (DIMMs) standard with 2-core (two single-core processors); two 2 GB DIMMs with 4-core (two dual-core processors).
Memory slots 1 and 3. Select a memory size. (Optional)	2	<input type="checkbox"/> 512 MB <input type="checkbox"/> 1 GB <input type="checkbox"/> 2 GB <input type="checkbox"/> 4 GB	Optional; Second pair of DIMMs must match speed of first pair of DIMMs, but can vary in size, type, technology, and physical design.
Optional memory choices for slots 2 and 4 (Base)	2	<input type="checkbox"/> 1 GB <input type="checkbox"/> 2 GB	Each DIMM in this pair must be the same size, speed, type, technology, and physical design.
Serial Attached SCSI (SAS) hard disk drive	1 or 2	73.4 GB SAS 10 K RPM	Optional; Support for two internal small-form-factor SAS drives; Optional 146 GB SFF SAS drive available
Networking expansion card options: SFF Gb Ethernet CFFv Gb Ethernet CFFh InfiniBand LFF/PCIX SFF/PCIE high-speed	1	<input type="checkbox"/> Ethernet <input type="checkbox"/> Fibre Channel <input type="checkbox"/> InfiniBand	Optional; 1 GB Ethernet Dual Port Expansion Card, CFF/PCIX Combo 4 GB Fibre Channel/1GB E'Net Expansion Card, CFF/PCIE, (QLogic) Myricom Myrinet Cluster Expansion Card, LFF/PCIX (InfiniBand) 4X InfiniBand Dual Port Expansion Card, SFF/PCIE, (Cisco)
SCSI storage expansion option	1	Supports two additional hot-swapped SCSI hard disk drives	Optional; QLogic iSCSI Expansion Card for IBM eServer BladeCenter
Fibre Channel storage expansion card options: CFFv controller SFF controller CFFh controller	1	Supports two adapters	Optional; QLogic 4Gb SFF Fibre Channel Expansion Card for IBM eServer BladeCenter QLogic 4Gb Fibre Channel Expansion Card (CFFv) for IBM BladeCenter 4 GB Fibre Channel Dual Port Expansion Card, SFF/PCIX (Emulex)

Table 17. BladeCenter LS20 blade server worksheet

<p>Blade server model: _____</p> <p>Workstation blade name: _____</p> <p>Note: Blade name has a maximum of 20 characters.</p> <p>Blade server purpose: _____</p> <p>_____</p> <p>Operating system: _____</p> <p>OS installation option:</p> <p><input type="checkbox"/> Preloaded</p> <p><input type="checkbox"/> Deployed through network management</p> <p><input type="checkbox"/> Manual install with product CD.</p> <p>Blade server IP information:</p> <p><input type="checkbox"/> Automatic through DHCP server</p> <p><input type="checkbox"/> Static:</p> <p style="margin-left: 20px;">Host name _____</p> <p style="margin-left: 20px;">Subnet mask _____</p> <p style="margin-left: 20px;">IP address _____</p> <p style="margin-left: 20px;">Gateway address _____</p>	<p>Connects to I/O module</p> <p>I/O bay 1 _____</p> <p>I/O bay 2 _____</p> <p>I/O bay 3 _____</p> <p>I/O bay 4 _____</p> <p>Boot sequence:</p> <p>___ Internal hard disk drive</p> <p>___ Integrated storage drive</p> <p>___ CD-ROM</p> <p>___ Network</p> <p>Applications:</p> <p>1. _____</p> <p>2. _____</p> <p>3. _____</p>
---	---

BladeCenter S chassis blade bay location 1 2 3 4 5 6			
Component	Quantity	Details	Base or optional feature
Blade server	1	Blade server with AMD Opteron processor	Base
Second processor	1	AMD Opteron processor	Optional
Memory slots 1 and 2	2	<input type="checkbox"/> 512 MB <input type="checkbox"/> 1 GB <input type="checkbox"/> 2 GB <input type="checkbox"/> 4 GB	Base
Optional memory choices slots 3 and 4	2	<input type="checkbox"/> 512 MB <input type="checkbox"/> 1 GB <input type="checkbox"/> 2 GB <input type="checkbox"/> 4 GB	Optional
SCSI internal hard disk drive	1 or 2	<input type="checkbox"/> 36 GB <input type="checkbox"/> 73 GB	Optional
I/O Expansion option	1	<input type="checkbox"/> Ethernet <input type="checkbox"/> Fibre Channel <input type="checkbox"/> SAS	Optional

Table 18. BladeCenter LS21 blade server worksheet

<p>Blade server model: _____</p> <p>Workstation blade name: _____</p> <p>Note: Blade name has a maximum of 20 characters.</p> <p>Blade server purpose: _____</p> <p>_____</p> <p>Operating system: _____</p> <p>OS installation option:</p> <p><input type="checkbox"/> Preloaded</p> <p><input type="checkbox"/> Deployed through network management</p> <p><input type="checkbox"/> Manual install with product CD.</p> <p>Blade server IP information:</p> <p><input type="checkbox"/> Automatic through DHCP server</p> <p><input type="checkbox"/> Static:</p> <p style="margin-left: 20px;">Host name _____</p> <p style="margin-left: 20px;">Subnet mask _____</p> <p style="margin-left: 20px;">IP address _____</p> <p style="margin-left: 20px;">Gateway address _____</p>	<p>Connects to I/O module</p> <p>I/O bay 1 _____</p> <p>I/O bay 2 _____</p> <p>I/O bay 3 _____</p> <p>I/O bay 4 _____</p> <p>Boot sequence:</p> <p><input type="checkbox"/> Internal hard disk drive</p> <p><input type="checkbox"/> Integrated storage drive</p> <p><input type="checkbox"/> CD-ROM</p> <p><input type="checkbox"/> Network</p> <p>Applications:</p> <p>1. _____</p> <p>2. _____</p> <p>3. _____</p>
---	---

BladeCenter S chassis blade bay location 1 2 3 4 5 6			
Component	Quantity	Details	Base or optional feature
Blade server	1	Blade server with AMD Opteron processor	Base
Second processor	1	AMD Opteron processor	Optional
Memory slots 1 and 2	2	<input type="checkbox"/> 512 MB <input type="checkbox"/> 2 GB <input type="checkbox"/> 1 GB <input type="checkbox"/> 4 GB	Base
Optional memory choices slots 3 and 4	2	<input type="checkbox"/> 512 MB <input type="checkbox"/> 2 GB <input type="checkbox"/> 1 GB <input type="checkbox"/> 4 GB	Optional
Memory slots 5 and 6	2	<input type="checkbox"/> 512 MB <input type="checkbox"/> 2 GB <input type="checkbox"/> 1 GB <input type="checkbox"/> 4 GB	Optional
Optional memory choices slots 7 and 8	2	<input type="checkbox"/> 512 MB <input type="checkbox"/> 2 GB <input type="checkbox"/> 1 GB <input type="checkbox"/> 4 GB	Optional
cKVM feature		<input type="checkbox"/> cKVM card	Optional
Internal hard disk drive	1	<input type="checkbox"/> 36 GB SAS <input type="checkbox"/> 73 GB SAS <input type="checkbox"/> 146 GB SAS <input type="checkbox"/> 15.8 GB Solid State <input type="checkbox"/> 31.4 GB Solid State	Optional
Storage and I/O Expansion blade	1	<input type="checkbox"/> PCI I/O Expansion Unit 3e <input type="checkbox"/> Storage and I/O Expansion Blade	Optional

Table 18. BladeCenter LS21 blade server worksheet (continued)

I/O Expansion option	1	<input type="checkbox"/> Ethernet <input type="checkbox"/> Fibre Channel <input type="checkbox"/> SAS	Optional
----------------------	---	---	----------

Table 19. BladeCenter LS41 blade server worksheet

Blade server model: _____ Workstation blade name: _____ Note: Blade name has a maximum of 20 characters. Blade server purpose: _____ _____ _____ Operating system: _____ OS installation option: <input type="checkbox"/> Preloaded <input type="checkbox"/> Deployed through network management <input type="checkbox"/> Manual install with product CD. Blade server IP information: <input type="checkbox"/> Automatic through DHCP server <input type="checkbox"/> Static: Host name _____	Connects to I/O module I/O bay 1 _____ I/O bay 2 _____ I/O bay 3 _____ I/O bay 4 _____ Boot sequence: ___ Internal hard disk drive ___ Integrated storage drive ___ CD-ROM ___ Network Applications: 1. _____ 2. _____ 3. _____
--	--

BladeCenter S chassis blade bay location 1 2 3 4 5 6

Component	Quantity	Details	Base or optional feature
Blade server	1	Blade server with AMD Opteron processor	Base
Second processor	1	AMD Opteron processor	Optional
Memory slots 1 and 2	2	<input type="checkbox"/> 512 MB <input type="checkbox"/> 2 GB <input type="checkbox"/> 1 GB <input type="checkbox"/> 4 GB	Base
Optional memory choices slots 3 and 4	2	<input type="checkbox"/> 512 MB <input type="checkbox"/> 2 GB <input type="checkbox"/> 1 GB <input type="checkbox"/> 4 GB	Optional
Memory slots 5 and 6	2	<input type="checkbox"/> 512 MB <input type="checkbox"/> 2 GB <input type="checkbox"/> 1 GB <input type="checkbox"/> 4 GB	Optional
Optional memory choices slots 7 and 8	2	<input type="checkbox"/> 512 MB <input type="checkbox"/> 2 GB <input type="checkbox"/> 1 GB <input type="checkbox"/> 4 GB	Optional
cKVM feature		<input type="checkbox"/> cKVM card	Optional

Table 19. BladeCenter LS41 blade server worksheet (continued)

Internal hard disk drive	1	<input type="checkbox"/> 36 GB SAS <input type="checkbox"/> 73 GB SAS <input type="checkbox"/> 146 GB SAS <input type="checkbox"/> 15.8 GB Solid State <input type="checkbox"/> 31.4 GB Solid State	Optional
Storage and I/O Expansion blade	1	<input type="checkbox"/> Multiprocessor Expansion Unit <input type="checkbox"/> PCI I/O Expansion Unit 3e <input type="checkbox"/> Storage and I/O Expansion Blade	Optional
I/O Expansion option	1	<input type="checkbox"/> Ethernet <input type="checkbox"/> Fibre Channel <input type="checkbox"/> SAS	Optional

BladeCenter S Types 7779 and 8886 installation worksheet

Use this worksheet to plan for the BladeCenter S system location in the rack and to determine the rack weight.

When completed, the worksheet provides a total weight for up to six blade servers in the BladeCenter S chassis. Each worksheet applies to one 8886 BladeCenter S unit. Fill out a worksheet for each BladeCenter S chassis in the rack.

1. Before you can complete this worksheet, fill out an installation worksheet for each blade server (1 to 6) that you plan to install in this chassis. See “Blade server and workstation blade installation worksheet” on page 71.
2. Circle the 8886 BladeCenter S number and the BladeCenter S position in the rack.
3. Circle how many power modules are required for this BladeCenter S unit.

Note: Four power modules on four 220-volt ac circuits provide the most power. See “Power consumption guidelines” on page 29 for more information about component power consumption and how to provide redundant power.

4. Compute and record **Subtotal 1** for the weight of these components.
5. For each blade server (1 through 6), record the weight numbers from the blade server worksheets.
6. Compute and record **Subtotal 2** for blade servers 1 through 6.
7. Record the subtotals for weight on the bottom of the worksheet. Add the subtotals to derive the total weight for this BladeCenter S unit.

Note: The fully configured weight of a BladeCenter S system with blade servers is approximately 108.86 kg (240 lbs).

Table 20. BladeCenter S Types 7779 and 8886 worksheet

Rack position (BladeCenter S system is 7 U): U__ to U__			
Rack number and location: _____			
Component	Quantity	Weight	Base or optional feature
Chassis	1	35.38 kg (78 lb)	Base (including bezel) without modules or fillers
Power modules	2 or 4	Quantity × 1.86 kg (4.1 lb) = ____	Modules 1 and 2 are base. Modules 3 and 4 are required for more power.
Power module fillers	2 or 0	Quantity × .19 kg (.42 lb)	Base
Advanced management module	1	.82 kg (1.79 lb)	Base
I/O modules	4 maximum	Quantity × 1.5 kg (3.3 lb) = ____	Optional
I/O bay fillers	3 maximum	Quantity × .33 kg (.72 lb) = ____	Optional
Fan modules	4	4.09 kg (9.02 lb)	Base (includes all four fan modules)
Media tray	1	4.12 kg (9.07 lb)	Base
Serial Pass-Thru Module	1	.59 kg (1.31 lb)	Optional
Disk storage module	2	Quantity × 3.24 kg (7.15 lb) = ____	Optional
Hard disk drive	12	Quantity × .91 kg (2.0 lb) = ____	Optional
Hard disk drive filler	12	Quantity × .043 kg (.095 lb) = ____	Optional
Subtotal 1 for chassis worksheet		_____	
Blade servers	6	Quantity × 5.5 kg (12 lb) = ____	Optional
Blade fillers	5	Quantity × .15 kg (.330 lb) = ____	Base
Subtotal 2 for blade servers 1 through 6		_____	
Subtotal 1 (Chassis)		Subtotal 1 _____	
Subtotal 2 (Blades)		Subtotal 2 _____	
Total		=====	
		Total _____	

Rack installation worksheet

Use this worksheet to plan for the rack location of each BladeCenter S system and compute the total weight for the BladeCenter S systems and other hardware.

Each BladeCenter S chassis is seven rack units (7 U). You can install up to six BladeCenter S chassis in a 42U rack.

Fill out one worksheet for each rack.

1. Record the weight totals for each BladeCenter S system in this rack from the "BladeCenter S Types 7779 and 8886 installation worksheet" on page 85.
2. Record the weight totals for other units in this rack from the "BladeCenter S Types 7779 and 8886 installation worksheet" on page 85.
3. Record **Subtotal 1** for the weight.
4. Compute the weight of the rack-mounting kits and record it on the worksheet.
5. Compute the weight of the power distribution units and cables and record them on the worksheet.
6. Record **Subtotal 2** on the worksheet.
7. Add **Subtotal 1** and **2** to obtain the total rack load and record it on the worksheet.
8. Select a rack and circle the matching rack weight on the worksheet. **Verify that the weight load entered in the previous step does not exceed the weight limit for the rack.**
9. Add the rack weight to the total rack load and record it on the worksheet. **Verify that this weight does not exceed the floor load limits of the location where the rack is being installed.**

Table 21. Rack worksheet

Component	Number	Quantity	Weight
BladeCenter S systems	1	1	_____
BladeCenter S systems or others	2	1	_____
BladeCenter S systems or others	3	1	_____
BladeCenter S systems or others	4	1	_____
BladeCenter S systems or others	5	1	_____
BladeCenter S systems or others	6	1	_____
			Subtotal 1 _____
Rack-mounting kits		1 2 3 4 5 6	Quantity = ___
PDUs			Quantity = ___
Cables			Quantity = ___
			Subtotal 2 _____

Table 21. Rack worksheet (continued)

Component	Number	Quantity	Weight
Total Rack Load			Subtotal 1 _____ Subtotal 2 _____ ===== Total _____
<input type="checkbox"/> IBM BladeCenter Office Enablement Kit <input type="checkbox"/> NetBAY 42 enterprise rack <input type="checkbox"/> NetBAY 42 enterprise expansion rack <input type="checkbox"/> NetBAY 42 standard rack <input type="checkbox"/> NetBAY 42 standard expansion rack <input type="checkbox"/> NetBAY 25 standard rack <input type="checkbox"/> NetBAY 11 standard rack			41 kg (90 lb) 261 kg (575 lb) 234 kg (511 lb) 119 kg (262 lb) 112 kg (246 lb) 95 kg (209 lb) 34 kg (75 lb)
Total floor load			Rack weight _____ Total rack load _____ ===== Total floor load _____

Cabling worksheet

Use this worksheet to plan for the external network cables to attach the advanced management module and Ethernet switch modules to external networks.

Fill out one worksheet for each BladeCenter S system.

On this worksheet, record:

1. The BladeCenter S chassis number (1 through 6)
2. The BladeCenter S chassis location in the rack (starting U through ending U)
3. The rack number and location
4. The **From port:** and **To:** connections.

Table 22. Cabling worksheet

BladeCenter S chassis number: ____		
Location in rack (1 through 5): starts at U ____ and ends at U ____		
Rack number and location: _____		
Component	From port:	To:
Advanced management module (10/100 Mbps)	1	
Ethernet switch module - I/O module bay 1. Fill in the appropriate number of ports based on whether you are using an Ethernet switch module or a copper pass-thru module	1	
	2	
	3	
	4	
	5	
	6	
	7	
	8	
	9	
	10	
	11	
	12	
	13	
	14	
	15	

Table 22. Cabling worksheet (continued)

BladeCenter S chassis number: ____ Location in rack (1 through 5): starts at U ____ and ends at U ____ Rack number and location: _____		
Component	From port:	To:
Ethernet switch module - I/O module bay 2. Fill in the appropriate number of ports based on whether you are using an Ethernet switch module or a copper pass-thru module	1	
	2	
	3	
	4	
	5	
	6	
	7	
	8	
	9	
	10	
	11	
	12	
	13	
	14	
	15	

Power worksheet

Use this worksheet to determine your power budget for the BladeCenter S system.

1. Record the wattage for each of the devices that you will install in the BladeCenter S chassis.

Management policy

Number of power modules installed: _____

Note: If you install both disk storage modules, you must install 4 power modules.

Power source: ___ 110 V ac ___ 220 V ac

Management policy to be used:

Table 23. Power management policy

	AC power source redundancy
	AC power source redundancy with blade throttling allowed
	Power module redundancy
	Power module redundancy with blade throttling allowed
	Non-redundant

See “Power management policies” on page 30 for a description of these policies.

Power consumption of BladeCenter S chassis components

Table 24. Power consumption

Component	Maximum Watts	Installed
Midplane	5W	Yes
Media tray	15W	Yes
Fans (four)	280W	Yes
Advanced management module	25W	Yes
Power modules 1 and 2	24W	Yes
Power modules 3 and 4	24W	
I/O module (I/O module bay 1)	45W	
I/O module (I/O module bay 2)	45W	
SAS connectivity module	65W	
SAS connectivity module	65W	
SAS RAID controller module	65W	
Battery backup unit	10W	
SAS RAID controller module	65W	
Battery backup unit	10W	
Disk storage module	120W	
Disk storage module	120W	
Blade server bay 1		
Blade server bay 2		

Table 24. Power consumption (continued)

Component	Maximum Watts	Installed
Blade server bay 3		
Blade server bay 4		
Blade server bay 5		
Blade server bay 6		
Total wattage		

See “Power allocation guidelines” on page 31 to ensure that the total wattage meets the power allocation guidelines for the power policy that you are using.

Use the IBM System x and BladeCenter Power Configurator at <http://www.ibm.com/systems/bladecenter/powerconfig/> to assist in planning for power.

Appendix B. Configuration planning worksheets

Use the configuration planning worksheets to gather the information that you will need to configure the components in the BladeCenter S chassis.

Advanced management module configuration worksheet

Use this worksheet to gather information for configuring the advanced management module.

For more information, see “Planning for advanced management module configuration” on page 48.

See the *Advanced Management Module Installation Guide* for more information about configuring the advanced management module.

General settings

Setting	Value
Advanced management module name	
Contact name	
Date and Time	Date: _____ Time: _____ <input type="checkbox"/> Daylight Savings Time <input type="checkbox"/> Use NTP server: Server Hostname/IP address: _____ Update frequency (in minutes): _____ NTP v3 authentication: <input type="checkbox"/> Enabled <input type="checkbox"/> Disabled Key index: ____ Key: _____
Trespass warning	<input type="checkbox"/> Enabled <input type="checkbox"/> Disabled Text: _____

Login profiles

Login ID	Password	Role	Access scope

Login ID	Password	Role	Access scope

SNMP v3 user profile

Login profile ID	Context name	Authentication protocol	Privacy protocol	Access type
		<input type="checkbox"/> None <input type="checkbox"/> MDA <input type="checkbox"/> SHA	<input type="checkbox"/> None <input type="checkbox"/> DES <input type="checkbox"/> AES Privacy password: _____	<input type="checkbox"/> Get <input type="checkbox"/> Set <input type="checkbox"/> Trap Trap hostname/IP: _____
		<input type="checkbox"/> None <input type="checkbox"/> MDA <input type="checkbox"/> SHA	<input type="checkbox"/> None <input type="checkbox"/> DES <input type="checkbox"/> AES Privacy password: _____	<input type="checkbox"/> Get <input type="checkbox"/> Set <input type="checkbox"/> Trap Trap hostname/IP: _____
		<input type="checkbox"/> None <input type="checkbox"/> MDA <input type="checkbox"/> SHA	<input type="checkbox"/> None <input type="checkbox"/> DES <input type="checkbox"/> AES Privacy password: _____	<input type="checkbox"/> Get <input type="checkbox"/> Set <input type="checkbox"/> Trap Trap hostname/IP: _____
		<input type="checkbox"/> None <input type="checkbox"/> MDA <input type="checkbox"/> SHA	<input type="checkbox"/> None <input type="checkbox"/> DES <input type="checkbox"/> AES Privacy password: _____	<input type="checkbox"/> Get <input type="checkbox"/> Set <input type="checkbox"/> Trap Trap hostname/IP: _____
		<input type="checkbox"/> None <input type="checkbox"/> MDA <input type="checkbox"/> SHA	<input type="checkbox"/> None <input type="checkbox"/> DES <input type="checkbox"/> AES Privacy password: _____	<input type="checkbox"/> Get <input type="checkbox"/> Set <input type="checkbox"/> Trap Trap hostname/IP: _____
		<input type="checkbox"/> None <input type="checkbox"/> MDA <input type="checkbox"/> SHA	<input type="checkbox"/> None <input type="checkbox"/> DES <input type="checkbox"/> AES Privacy password: _____	<input type="checkbox"/> Get <input type="checkbox"/> Set <input type="checkbox"/> Trap Trap hostname/IP: _____
		<input type="checkbox"/> None <input type="checkbox"/> MDA <input type="checkbox"/> SHA	<input type="checkbox"/> None <input type="checkbox"/> DES <input type="checkbox"/> AES Privacy password: _____	<input type="checkbox"/> Get <input type="checkbox"/> Set <input type="checkbox"/> Trap Trap hostname/IP: _____

Login profile ID	Context name	Authentication protocol	Privacy protocol	Access type
		<input type="checkbox"/> None <input type="checkbox"/> MDA <input type="checkbox"/> SHA	<input type="checkbox"/> None <input type="checkbox"/> DES <input type="checkbox"/> AES Privacy password: _____	<input type="checkbox"/> Get <input type="checkbox"/> Set <input type="checkbox"/> Trap Trap hostname/IP: _____
		<input type="checkbox"/> None <input type="checkbox"/> MDA <input type="checkbox"/> SHA	<input type="checkbox"/> None <input type="checkbox"/> DES <input type="checkbox"/> AES Privacy password: _____	<input type="checkbox"/> Get <input type="checkbox"/> Set <input type="checkbox"/> Trap Trap hostname/IP: _____
		<input type="checkbox"/> None <input type="checkbox"/> MDA <input type="checkbox"/> SHA	<input type="checkbox"/> None <input type="checkbox"/> DES <input type="checkbox"/> AES Privacy password: _____	<input type="checkbox"/> Get <input type="checkbox"/> Set <input type="checkbox"/> Trap Trap hostname/IP: _____
		<input type="checkbox"/> None <input type="checkbox"/> MDA <input type="checkbox"/> SHA	<input type="checkbox"/> None <input type="checkbox"/> DES <input type="checkbox"/> AES Privacy password: _____	<input type="checkbox"/> Get <input type="checkbox"/> Set <input type="checkbox"/> Trap Trap hostname/IP: _____
		<input type="checkbox"/> None <input type="checkbox"/> MDA <input type="checkbox"/> SHA	<input type="checkbox"/> None <input type="checkbox"/> DES <input type="checkbox"/> AES Privacy password: _____	<input type="checkbox"/> Get <input type="checkbox"/> Set <input type="checkbox"/> Trap Trap hostname/IP: _____

Account Security

Legacy security

High security

Custom security

Custom security setting	
User login password required	<input type="checkbox"/> Yes <input type="checkbox"/> No
Password expiration period	
Minimum password reuse cycle	
Minimum password change interval	
Maximum number of login failures	
Lockout period after maximum login failures	
Complex password rules	
Minimum different characters in passwords	

Custom security setting	
Require change to Factory default USERID account password at next login	<input type="checkbox"/> Yes <input type="checkbox"/> No
User must change password on first login	<input type="checkbox"/> Yes <input type="checkbox"/> No
Inactivity alert period	
Inactivity alert and disable period	

Alerts

Remote alert recipients			
Receives critical alerts only			
	Status		
	Notification method:		
	<input type="checkbox"/> SNMP - hostname: _____		
	<input type="checkbox"/> E-mail - address: _____		
	<input type="checkbox"/> IBM Director - hostname: _____		
Global remote alert settings			
Remote alerts retry limit			
Delay between retries			
Include event log with e-mail alerts		<input type="checkbox"/> Yes <input type="checkbox"/> No	
Alerts to be monitored			
	Critical alerts	Warning alerts	Informational alerts
Chassis/System Management			
Cooling devices			
Power modules			
Blade servers			
I/O modules			
Event log			
Power On/Off			
Inventory change			
Network change			
User activity			

Serial port

Baud rate	
Parity	
Stop bits	

Port assignments

Table 25. User-configurable advanced management module ports

Port name	Default port number	Port number	Description
HTTP	80		Port used for Web server HTTP connection using UDP
HTTPS	443		Port used for SSL connection using TCP
Telnet	23		Port used for the Telnet command-line interface connection
SSH	22		Port used for the Secure Shell (SSH) command-line interface connection
SNMP Agent	161		Port used for SNMP get/set commands using UDP
SNMP Traps	162		Port used for SNMP traps using UDP
FTP	21		Port used for the listen port of the management-module FTP server.
FTP Data	20		Port used for the data port of the management-module FTP server.
TFTP	69		Port used for the management-module TFTP server.
SLP	427		Port used for the UDP Service Location Protocol (SLP) connection
Remote Disk	1044		Port used for the advanced management module remote disk server.
Remote Disk-On-Card	1045		Port used for the management-module remote disk-on-card server.
Storage Description Server	1046		Port number for the management-module storage description server.
Remote KVM	3900		Port used for the management-module remote KVM server.
TCP command mode	6090		Port used for IBM Director commands using TCP/IP. Note: IBM Director might not be able to locate the advanced management module if this port number is changed.
SMASH command-line processor	50023		Port used for the management-module SMASH command-line protocol over Telnet.
Secure SMASH command-line processor	50022		Port used for the management-module secure SMASH command-line protocol over SSH.

External network interface

DHCP	<input type="checkbox"/> DHCP with rollover to static <input type="checkbox"/> DHCP only <input type="checkbox"/> Static IP only
Host name	
Static IP configuration (configure only if DHCP is disabled)	
IP address	____.____.____.____
Subnet mask	____.____.____.____
Gateway IP address	____.____.____.____

I/O module IP Configuration

I/O module bay 1	
IP address (default is 192.168.70.127)	____.____.____.____
Subnet mask	____.____.____.____
Gateway IP address	____.____.____.____
I/O module bay 2	
IP address (default is 192.168.70.128)	____.____.____.____
Subnet mask	____.____.____.____
Gateway IP address	____.____.____.____
I/O module bay 3	
IP address (default is 192.168.70.129)	____.____.____.____
Subnet mask	____.____.____.____
Gateway IP address	____.____.____.____
I/O module bay 4	
IP address (default is 192.168.70.130)	____.____.____.____
Subnet mask	____.____.____.____
Gateway IP address	____.____.____.____

Network protocols

SNMP	
SNMPv1 agent	<input type="checkbox"/> Enable <input type="checkbox"/> Disable
SNMPv3 agent	<input type="checkbox"/> Enable <input type="checkbox"/> Disable Note: If you enable the SNMPv3 agent, you must configure SNMPv3 settings for active login profiles in order for the interaction between the SNMPv3 manager and SNMPv3 agent to work properly.
SNMP traps	<input type="checkbox"/> Enable <input type="checkbox"/> Disable
SNMPv1 community	Name: _____
	Access Type: <input type="checkbox"/> Get <input type="checkbox"/> Set <input type="checkbox"/> Trap
	Host name or IP address (up to 3):

SNMPv1 community	Name: _____
	Access Type: <input type="checkbox"/> Get <input type="checkbox"/> Set <input type="checkbox"/> Trap
	Host name or IP address (up to 3):
SNMPv1 community	Name: _____
	Access Type: <input type="checkbox"/> Get <input type="checkbox"/> Set <input type="checkbox"/> Trap
	Host name or IP address (up to 3):
SNMPv1 community	Name: _____
	Access Type: <input type="checkbox"/> Get <input type="checkbox"/> Set <input type="checkbox"/> Trap
	Host name or IP address (up to 3):
SMTP	
Host name (or IP address)	
LDAP	
LDAP server locations	Use DNS to find LDAP servers:
	Domain source: _____ Search domain: _____ Service name: _____
	Use pre-configured LDAP servers:
	Host name or IP address (and port): _____ Host name or IP address (and port): _____ Host name or IP address (and port): _____
Parameters	Root DN: _____
	UID search attribute: _____
	Binding method: _____
	Client DN: _____ Password: _____
	Enhanced role-based security for Active Directory users: <input type="checkbox"/> Enabled <input type="checkbox"/> Disabled
	Group filter: _____ Group search attribute: _____ Login permission attribute: _____
DNS	
DNS	<input type="checkbox"/> Enable <input type="checkbox"/> Disable
DNS Server IP address 1	_____._____._____._____
DNS Server IP address 2	_____._____._____._____
DNS Server IP address 3	_____._____._____._____

TCP command mode	
Command mode sessions	Number of sessions (1-5): _____
Session timeout	Timeout in seconds (0-4294967295): _____ Note: Use 0 if you do not want the session to ever time out.
SLP	
SLP address type	<input type="checkbox"/> Multicast <input type="checkbox"/> Broadcast
Multicast IP address	
FTP	
FTP server	<input type="checkbox"/> Enable <input type="checkbox"/> Disable
FTP idle timeout	
TFTP	
TFTP server	<input type="checkbox"/> Enable <input type="checkbox"/> Disable
Remote Control	
Remote disk	<input type="checkbox"/> Enable <input type="checkbox"/> Disable
Remote disk on card	<input type="checkbox"/> Enable <input type="checkbox"/> Disable
Remote video (KVM)	<input type="checkbox"/> Enable <input type="checkbox"/> Disable
SMASH CLP	
SMASH CLP	<input type="checkbox"/> Enable <input type="checkbox"/> Disable
Secure SMASH CLP	<input type="checkbox"/> Enable <input type="checkbox"/> Disable
Syslog Protocol	
Filtering level	<input type="checkbox"/> Information <input type="checkbox"/> Error <input type="checkbox"/> Warning
Collector hostname/IP address	1. _____ 2. _____

Security

Data encryption	<input type="checkbox"/> Enable <input type="checkbox"/> Disable Important: If you enable data encryption, the only way to disable it is to reset the advanced management module to the factory defaults.
Secure Sockets Layer (SSL)	<input type="checkbox"/> Enable <input type="checkbox"/> Disable
Secure Shell server (SSH)	<input type="checkbox"/> Enable <input type="checkbox"/> Disable SSH version: _____

SAS connectivity module configuration worksheet

Use this worksheet to plan for integrated shared storage configuration by assigning hard disk drives to blade servers and blade servers to external ports on the SAS connectivity modules.

SAS connectivity module settings

Table 26. Settings for SAS connectivity modules

	I/O Bay 3	I/O Bay 4
Nickname		
TCP Ports:	<input type="checkbox"/> Use defaults	<input type="checkbox"/> Use defaults
Administration (6641)	Administration: _____	Administration: _____
Event (6642)	Event: _____	Event: _____
Firmware download (6643)	Firmware: _____	Firmware: _____
NTP Server IP address		

Zone the SAS storage by assigning hard disk drives to blade servers and blade servers to external ports on the SAS connectivity modules. If you are going to mirror drives between disk storage modules, consider assigning the same hard disk drive or hard disk drives in each disk storage module to a specific blade server, depending on your zoning configuration.

Table 27. SAS Zoning planning worksheet

Resource	Blade server name					
	Bay 1	Bay 2	Bay 3	Bay 4	Bay 5	Bay 6
Disk storage module 1						
HD 1						
HD 2						
HD 3						
HD 4						
HD 5						
HD 6						
Disk storage module 2						
HD 1						
HD 2						
HD 3						
HD 4						
HD 5						
HD 6						
SAS connectivity module - I/O Bay 3						
External port 1						
External port 2						
External port 3						

Table 27. SAS Zoning planning worksheet (continued)

Resource	Blade server name					
	Bay 1	Bay 2	Bay 3	Bay 4	Bay 5	Bay 6
External port 4						
SAS connectivity module - I/O Bay 4						
External port 1						
External port 2						
External port 3						
External port 4						

Predefined configuration #: _____

User defined configuration #: _____

Configuration name: _____

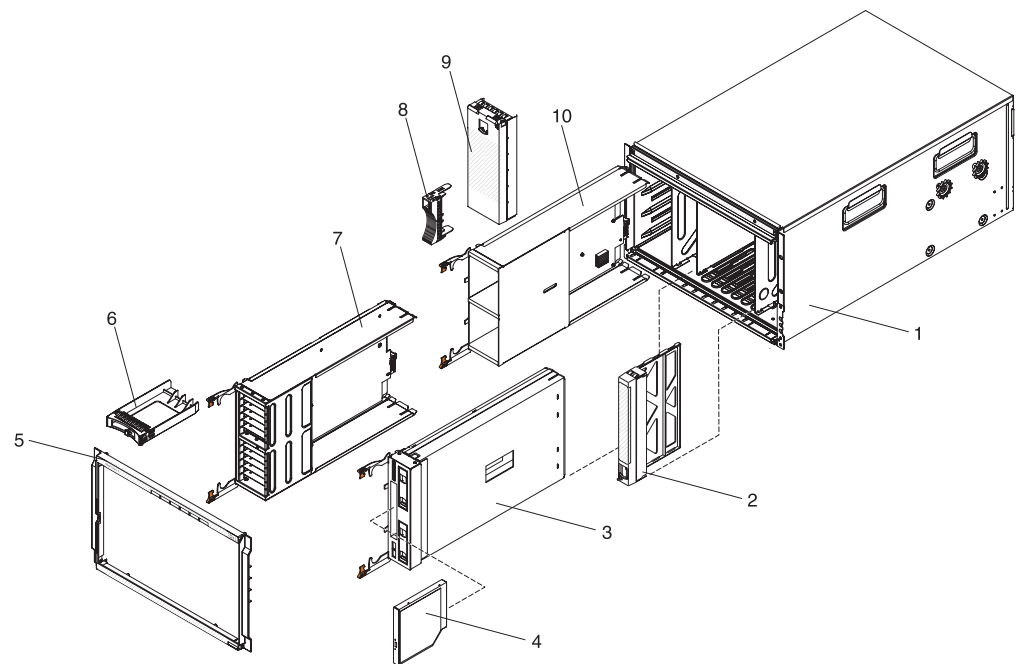
Appendix C. Parts listing

These illustrations identify the replaceable components that are available for the BladeCenter S Types 7779 and 8886 unit.

- **Consumable part.** Purchase and replacement of consumable parts (components, such as batteries and printer cartridges, that have depletable life) is your responsibility. If IBM acquires or installs a consumable part at your request, you will be charged for the service.
- **Tier 1 customer replaceable unit (CRU).** Replacement of Tier 1 CRUs is your responsibility. If IBM installs a Tier 1 CRU at your request, you will be charged for the installation.
- **Tier 2 customer replaceable unit.** You can install a Tier 2 CRU yourself or request IBM to install it, at no additional charge, under the type of warranty service that is designed for your computer.
- **Field replaceable unit (FRU).** FRUs must be installed only by trained service technicians.

Front view parts listing

The front of the BladeCenter S chassis contains components such as the media tray and bays for disk storage modules and blade servers.



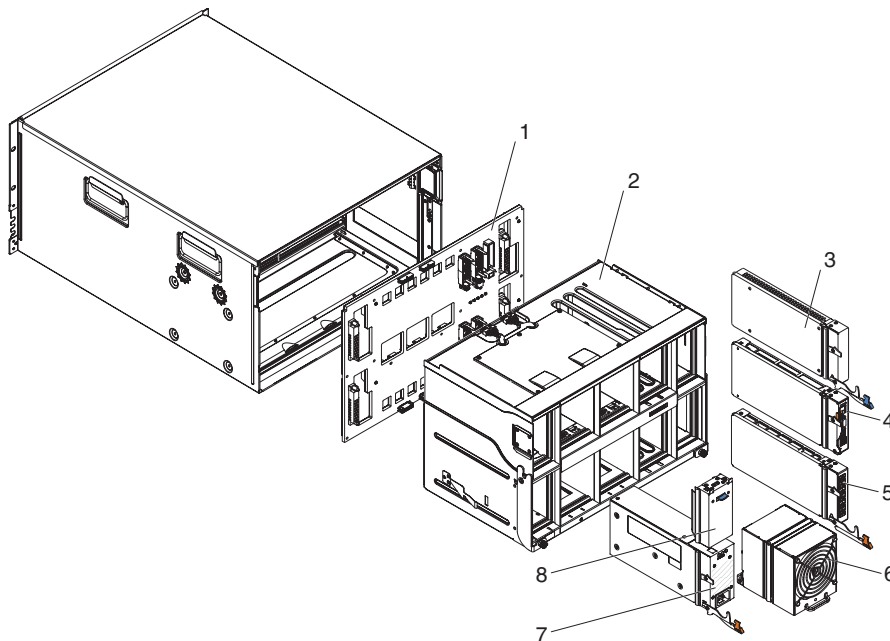
Index	Description	CRU part number (Tier 1)	CRU part number (Tier 2)	FRU part number
1	Chassis shell (without shuttle)			44E8050
2	Filler, blade server	39M3317		
3	Media tray (PATA)	44E8052		
	Media tray (SATA)	44E8167		
4	DVD drive (PATA)	43W4603		
	DVD drive (SATA Multi-Burner)	44W3256		
5	Bezel	44E8055		
6	Filler, 2.5" hard disk drive	44T2248		
7	12-disk storage module	46C5494		
8	Filler, 3.5" hard disk drive	39M4375		
9	Filler, disk storage module	44E8060		
10	6-disk storage module	44E8057		
	Filler, DVD drive (SATA)	46C5496		

Consumable parts (parts that are purchased separately) are not covered by the IBM Statement of Limited Warranty. The following consumable parts are available for purchase from the retail store.

Index	Description	Part number
	Battery backup unit	45W5002

Rear view parts listing

The rear of the 8886 BladeCenter unit contains components such as the management module, fan modules, and I/O modules.



Index	Description	CRU part number (Tier 1)	CRU part number (Tier 2)	FRU part number
1	Midplane			43W3631
2	Shuttle (with card and cable assembly)			44E8051
3	Filler, I/O module	25R9934		
4	Advanced management module	39Y9661		
5	Serial pass-thru module		44E8054	
6	Fan module	44E8053		
7	1450W Power supply module - C20	39Y7367		
	1450W Power supply module - C14	39Y7403		
8	Filler, power supply	44E8059		
	Cable, fan module to midplane			44E8061
	Miscellaneous parts kit			44E8062
	Kit, rack		39M3256	

Power cords - C14 power module

Several power cords are available for use with the C14 power module (CRU part number 39Y7403), depending on the location in the world where the cord will be used.

The following table lists the PDU power cord CRU part numbers.

Table 29. PDU power cords

CRU part number	Description
39M5508	2.0m, 13A/125-10A/250V, C13 to IEC 320-C14 Rack Power Cable
39M5509	2.8m, 13A/125-10A/250V, C13 to IEC 320-C14 Rack Power Cable
39M5510	4.3m, 13A/125-10A/250V, C13 to IEC 320-C14 Rack Power Cable
39M5392	2.8m, 15A/125-10A/250V, C13 to IEC 320-C20 Rack Power Cable

The following table lists the power cord CRU part numbers.

Table 30. Power cords

Country	CRU part number	Description
Argentina	39M5067	1.8m, 10A/220V, C13 to IRAM 2073
	39M5068	2.8m, 10A/220V, C13 to IRAM 2073
	39M5069	4.3m, 10A/220V, C13 to IRAM 2073
Australia / New Zealand	39M5101	1.8m, 10A/230V, C13 to AS/NZS 3112
	39M5102	2.8m, 10A/230V, C13 to AS/NZS 3112
	39M5103	4.3m, 10A/230V, C13 to AS/NZS 3112
Brazil	39M5239	1.8m, 10A/220V, C13 to NBR 6147
	39M5240	2.8m, 10A/220V, C13 to NBR 6147
	39M5241	4.3m, 10A/220V, C13 to NBR 6147

Table 30. Power cords (continued)

Country	CRU part number	Description
China	39M5205	1.8m, 10A/220V, C13 to GB 2099.1
	39M5206	2.8m, 10A/220V, C13 to GB 2099.1
	39M5207	4.3m, 10A/220V, C13 to GB 2099.1
Denmark	39M5129	1.8m, 10A/230V, C13 to DK2-5a
	39M5130	2.8m, 10A/230V, C13 to DK2-5a
	39M5131	4.3m, 10A/230V, C13 to DK2-5a
Europe	39M5122	1.8m, 10A/230V, C13 to CEE7-VII
	39M5123	2.8m, 10A/230V, C13 to CEE7-VII
	39M5124	4.3m, 10A/230V, C13 to CEE7-VII
India	39M5225	1.8m, 10A/240V, C13 to IS 6538
	39M5226	2.8m, 10A/240V, C13 to IS 6538
	39M5227	4.3m, 10A/240V, C13 to IS 6538
Israel	39M5171	1.8m, 10A/230V, C13 to SI 32
	39M5172	2.8m, 10A/230V, C13 to SI 32
	39M5173	4.3m, 10A/230V, C13 to SI 32
Italy	39M5164	1.8m, 10A/230V, C13 to CEI 23-16
	39M5165	2.8m, 10A/230V, C13 to CEI 23-16
	39M5166	4.3m, 10A/230V, C13 to CEI 23-16
Japan	39M5185	1.8m, 12A/200V, C13 to JIS C-8303
	39M5186	2.8m, 12A/200V, C13 to JIS C-8303
	39M5187	4.3m, 12A/200V, C13 to JIS C-8303
	39M5198	1.8m, 12A/100V, C13 to JIS C-8303
	39M5199	2.8m, 12A/100V, C13 to JIS C-8303
	39M5200	4.3m, 12A/100V, C13 to JIS C-8303
Korea	39M5218	1.8m, 12A/250V, C13 to KSC 8305
	39M5219	2.8m, 12A/250V, C13 to KSC 8305
	39M5220	4.3m, 12A/250V, C13 to KSC 8305
South Africa	39M5143	1.8m, 10A/230V, C13 to SABS 164
	39M5144	2.8m, 10A/230V, C13 to SABS 164
	39M5145	4.3m, 10A/230V, C13 to SABS 164
Switzerland	39M5157	1.8m, 10A/230V, C13 to SEV 1011
	39M5158	2.8m, 10A/230V, C13 to SEV 1011
	39M5159	4.3m, 10A/230V, C13 to SEV 1011
Taiwan	39M5253	1.8m, 10A/250V, C13 to CNS 10917-3
	39M5254	2.8m, 10A/250V, C13 to CNS 10917-3
	39M5255	4.3m, 10A/250V, C13 to CNS 10917-3
	39M5462	1.8m, 13A/125V, C13 to CNS 10917-3
	39M5463	2.8m, 13A/125V, C13 to CNS 10917-3
	39M5464	4.3m, 13A/125V, C13 to CNS 10917-3

Table 30. Power cords (continued)

Country	CRU part number	Description
United Kingdom	39M5150	1.8m, 10A/230V, C13 to BS 1363/A
	39M5151	2.8m, 10A/230V, C13 to BS 1363/A
	39M5152	4.3m, 10A/230V, C13 to BS 1363/A
United States	39M5094	1.8m, 10A/208V, C13 to NEMA 6-15P
	39M5095	2.8m, 10A/208V, C13 to NEMA 6-15P
	39M5096	4.3m, 10A/208V, C13 to NEMA 6-15P
	39M5511	1.8m, 13A/120V, C13 to NEMA 5-15P
	39M5512	2.8m, 13A/120V, C13 to NEMA 5-15P
	39M5513	4.3m, 13A/120V, C13 to NEMA 5-15P

Power cords - C20 power module

Several power cords are available for use with the C20 power module (CRU part number 39Y7367), depending on the location in the world where the cord will be used.

The following table lists the PDU power cord CRU part numbers.

Table 31. PDU power cords

CRU part number	Description
39M5388	2.0m, 16A/100-250V, C19 to IEC 320-C20 Rack Power Cable
39M5389	2.5m, 16A/100-240V, C19 to IEC 320-C20 Rack Power Cable

The following table lists the power cord CRU part numbers.

Table 32. Power cords

Country	CRU part number	Description
Argentina	39M5341	1.8m, 16A/220V, C19 to IRAM 2073
	39M5342	2.5m, 16A/220V, C19 to IRAM 2073
	39M5343	4.3m, 16A/220V, C19 to IRAM 2073
Australia / New Zealand	39M5329	1.8m, 15A/230V, C19 to AS/NZS 3112
	39M5330	2.5m, 15A/230V, C19 to AS/NZS 3112
	39M5331	4.3m, 15A/230V, C19 to AS/NZS 3112
Brazil	39M5349	1.8m, 15A/125V, C19 to NBR 6147
	39M5350	2.5m, 15A/125V, C19 to NBR 6147
	39M5351	4.3m, 15A/125V, C19 to NBR 6147
	39M5357	1.8m, 16A/220V, C19 to NBR 6147
	39M5358	2.5m, 16A/220V, C19 to NBR 6147
	39M5359	4.3m, 16A/220V, C19 to NBR 6147
China	39M5353	1.8m, 16A/220V, C19 to GB 2099.1
	39M5354	2.5m, 16A/220V, C19 to GB 2099.1
	39M5355	4.3m, 16A/220V, C19 to GB 2099.1

Table 32. Power cords (continued)

Country	CRU part number	Description
Denmark	39M5321	1.8m, 16A/230V, C19 to IEC 309-P+N+G
	39M5322	2.5m, 16A/230V, C19 to IEC 309-P+N+G
	39M5323	4.3m, 16A/230V, C19 to IEC 309-P+N+G
Europe	39M5281	1.8m, 16A/230V, C19 to CEE7-VII
	39M5282	2.5m, 16A/230V, C19 to CEE7-VII
	39M5283	4.3m, 16A/230V, C19 to CEE7-VII
India	39M5444	1.8m, 16A/240V, C19 to IS 6538
	39M5396	2.5m, 16A/240V, C19 to IS 6538
	39M5397	4.3m, 16A/240V, C19 to IS 6538
Israel	39M5309	1.8m, 16A/230V, C19 to SI 32
	39M5310	2.5m, 16A/230V, C19 to SI 32
	39M5311	4.3m, 16A/230V, C19 to SI 32
Italy	39M5297	1.8m, 16A/230V, C19 to CEI 23-16
	39M5298	2.5m, 16A/230V, C19 to CEI 23-16
	39M5299	4.3m, 16A/230V, C19 to CEI 23-16
Japan	39M5333	1.8m, 15A/200V, C19 to JIS C-8303
	39M5334	2.5m, 15A/200V, C19 to JIS C-8303
	39M5335	4.3m, 15A/200V, C19 to JIS C-8303
	39M5337	1.8m, 15A/100V, C19 to JIS C-8303
	39M5338	2.5m, 15A/100V, C19 to JIS C-8303
	39M5339	4.3m, 15A/100V, C19 to JIS C-8303
Korea	39M5345	1.8m, 15A/250V, C19 to KSC 8305
	39M5346	2.5m, 15A/250V, C19 to KSC 8305
	39M5347	2.5m, 15A/250V, C19 to KSC 8305
South Africa	39M5289	4.3m, 15A/250V, C19 to KSC 8305
	39M5290	2.5m, 16A/230V, C19 to SABS 164
	39M5291	4.3m, 16A/230V, C19 to SABS 164
Switzerland	39M5440	1.8m, 16A/230V, C19 to SEV 1011
	39M5441	2.5m, 16A/230V, C19 to SEV 1011
	39M5442	4.3m, 16A/230V, C19 to SEV 1011
Taiwan	39M5361	1.8m, 16A/125V, C19 to CNS 10917-3
	39M5362	2.5m, 16A/125V, C19 to CNS 10917-3
	39M5363	4.3m, 16A/125V, C19 to CNS 10917-3
	39M5365	1.8m, 16A/250V, C19 to CNS 10917-3
	39M5366	2.5m, 16A/250V, C19 to CNS 10917-3
	39M5367	4.3m, 16A/250V, C19 to CNS 10917-3
United Kingdom	39M5293	1.8m, 13A/230V, C19 to BS 1363/A
	39M5294	2.5m, 13A/230V, C19 to BS 1363/A
	39M5295	4.3m, 13A/230V, C19 to BS 1363/A

Table 32. Power cords (continued)

Country	CRU part number	Description
United States	39M5257	1.8m, 15A/120V, C19 to NEMA 5-15P
	39M5258	2.5m, 15A/120V, C19 to NEMA 5-15P
	39M5259	4.3m, 15A/120V, C19 to NEMA 5-15P
	39M5261	1.8m, 15A/208V, C19 to NEMA 6-15P
	39M5262	2.5m, 15A/208V, C19 to NEMA 6-15P
	39M5263	4.3m, 15A/208V, C19 to NEMA 6-15P
	39M5270	2.5m, 16A/120V, C19 to NEMA L5-20P
	39M5271	4.3m, 16A/120V, C19 to NEMA L5-20P
	39M5278	2.5m, 16A/208V, C19 to NEMA L6-20P
	39M5279	4.3m, 16A/208V, C19 to NEMA L6-20P

Notices

This information was developed for products and services offered in the U.S.A.

IBM may not offer the products, services, or features discussed in this document in other countries. Consult your local IBM representative for information on the products and services currently available in your area. Any reference to an IBM product, program, or service is not intended to state or imply that only that IBM product, program, or service may be used. Any functionally equivalent product, program, or service that does not infringe any IBM intellectual property right may be used instead. However, it is the user's responsibility to evaluate and verify the operation of any non-IBM product, program, or service.

IBM may have patents or pending patent applications covering subject matter described in this document. The furnishing of this document does not give you any license to these patents. You can send license inquiries, in writing, to:

IBM Director of Licensing
IBM Corporation
North Castle Drive
Armonk, NY 10504-1785
U.S.A.

INTERNATIONAL BUSINESS MACHINES CORPORATION PROVIDES THIS PUBLICATION "AS IS" WITHOUT WARRANTY OF ANY KIND, EITHER EXPRESS OR IMPLIED, INCLUDING, BUT NOT LIMITED TO, THE IMPLIED WARRANTIES OF NON-INFRINGEMENT, MERCHANTABILITY OR FITNESS FOR A PARTICULAR PURPOSE. Some states do not allow disclaimer of express or implied warranties in certain transactions, therefore, this statement may not apply to you.

This information could include technical inaccuracies or typographical errors. Changes are periodically made to the information herein; these changes will be incorporated in new editions of the publication. IBM may make improvements and/or changes in the product(s) and/or the program(s) described in this publication at any time without notice.

Any references in this information to non-IBM websites are provided for convenience only and do not in any manner serve as an endorsement of those websites. The materials at those websites are not part of the materials for this IBM product, and use of those websites is at your own risk.

IBM may use or distribute any of the information you supply in any way it believes appropriate without incurring any obligation to you.

Trademarks

IBM, the IBM logo, and [ibm.com](http://www.ibm.com) are trademarks of International Business Machines Corp., registered in many jurisdictions worldwide. Other product and service names might be trademarks of IBM or other companies.

A current list of IBM trademarks is available on the web at “Copyright and trademark information” at the <http://www.ibm.com/legal/copytrade.shtml> “Copyright and trademark information” website .

Adobe and PostScript are either registered trademarks or trademarks of Adobe Systems Incorporated in the United States and/or other countries.

Cell Broadband Engine is a trademark of Sony Computer Entertainment, Inc., in the United States, other countries, or both and is used under license therefrom.

Intel, Intel Xeon, Itanium, and Pentium are trademarks or registered trademarks of Intel Corporation or its subsidiaries in the United States and other countries.

Java and all Java-based trademarks and logos are trademarks or registered trademarks of Oracle and/or its affiliates.

Linux is a registered trademark of Linus Torvalds in the United States, other countries, or both.

Microsoft, Windows, and Windows NT are trademarks of Microsoft Corporation in the United States, other countries, or both.

UNIX is a registered trademark of The Open Group in the United States and other countries.

Important notes

Processor speed indicates the internal clock speed of the microprocessor; other factors also affect application performance.

CD or DVD drive speed is the variable read rate. Actual speeds vary and are often less than the possible maximum.

When referring to processor storage, real and virtual storage, or channel volume, KB stands for 1024 bytes, MB stands for 1,048,576 bytes, and GB stands for 1,073,741,824 bytes.

When referring to hard disk drive capacity or communications volume, MB stands for 1,000,000 bytes, and GB stands for 1,000,000,000 bytes. Total user-accessible capacity can vary depending on operating environments.

Maximum internal hard disk drive capacities assume the replacement of any standard hard disk drives and population of all hard disk drive bays with the largest currently supported drives that are available from IBM.

Maximum memory might require replacement of the standard memory with an optional memory module.

Each solid-state memory cell has an intrinsic, finite number of write cycles that the cell can incur. Therefore, a solid-state device has a maximum number of write

cycles that it can be subjected to, expressed as “total bytes written” (TBW). A device that has exceeded this limit might fail to respond to system-generated commands or might be incapable of being written to. IBM is not responsible for replacement of a device that has exceeded its maximum guaranteed number of program/erase cycles, as documented in the Official Published Specifications for the device.

IBM makes no representation or warranties regarding non-IBM products and services that are ServerProven, including but not limited to the implied warranties of merchantability and fitness for a particular purpose. These products are offered and warranted solely by third parties.

IBM makes no representations or warranties with respect to non-IBM products. Support (if any) for the non-IBM products is provided by the third party, not IBM.

Some software might differ from its retail version (if available) and might not include user manuals or all program functionality.

Particulate contamination

Attention: Airborne particulates (including metal flakes or particles) and reactive gases acting alone or in combination with other environmental factors such as humidity or temperature might pose a risk to the device that is described in this document.

Risks that are posed by the presence of excessive particulate levels or concentrations of harmful gases include damage that might cause the device to malfunction or cease functioning altogether. This specification sets forth limits for particulates and gases that are intended to avoid such damage. The limits must not be viewed or used as definitive limits, because numerous other factors, such as temperature or moisture content of the air, can influence the impact of particulates or environmental corrosives and gaseous contaminant transfer. In the absence of specific limits that are set forth in this document, you must implement practices that maintain particulate and gas levels that are consistent with the protection of human health and safety. If IBM determines that the levels of particulates or gases in your environment have caused damage to the device, IBM may condition provision of repair or replacement of devices or parts on implementation of appropriate remedial measures to mitigate such environmental contamination. Implementation of such remedial measures is a customer responsibility.

Table 33. Limits for particulates and gases

Contaminant	Limits
Particulate	<ul style="list-style-type: none"> The room air must be continuously filtered with 40% atmospheric dust spot efficiency (MERV 9) according to ASHRAE Standard 52.2¹. Air that enters a data center must be filtered to 99.97% efficiency or greater, using high-efficiency particulate air (HEPA) filters that meet MIL-STD-282. The deliquescent relative humidity of the particulate contamination must be more than 60%². The room must be free of conductive contamination such as zinc whiskers.
Gaseous	<ul style="list-style-type: none"> Copper: Class G1 as per ANSI/ISA 71.04-1985³ Silver: Corrosion rate of less than 300 Å in 30 days

Table 33. Limits for particulates and gases (continued)

Contaminant	Limits
	<ol style="list-style-type: none">1. ASHRAE 52.2-2008 - Method of Testing General Ventilation Air-Cleaning Devices for Removal Efficiency by Particle Size. Atlanta: American Society of Heating, Refrigerating and Air-Conditioning Engineers, Inc.2. The deliquescent relative humidity of particulate contamination is the relative humidity at which the dust absorbs enough water to become wet and promote ionic conduction.3. ANSI/ISA-71.04-1985. Environmental conditions for process measurement and control systems: Airborne contaminants. Instrument Society of America, Research Triangle Park, North Carolina, U.S.A.

Documentation format

The publications for this product are in Adobe Portable Document Format (PDF) and should be compliant with accessibility standards. If you experience difficulties when you use the PDF files and want to request a web-based format or accessible PDF document for a publication, direct your mail to the following address:

*Information Development
IBM Corporation
205/A015
3039 E. Cornwallis Road
P.O. Box 12195
Research Triangle Park, North Carolina 27709-2195
U.S.A.*

In the request, be sure to include the publication part number and title.

When you send information to IBM, you grant IBM a nonexclusive right to use or distribute the information in any way it believes appropriate without incurring any obligation to you.

Telecommunication regulatory statement

This product may not be certified in your country for connection by any means whatsoever to interfaces of public telecommunications networks. Further certification may be required by law prior to making any such connection. Contact an IBM representative or reseller for any questions.

Electronic emission notices

When you attach a monitor to the equipment, you must use the designated monitor cable and any interference suppression devices that are supplied with the monitor.

Federal Communications Commission (FCC) statement

Note: This equipment has been tested and found to comply with the limits for a Class A digital device, pursuant to Part 15 of the FCC Rules. These limits are designed to provide reasonable protection against harmful interference when the equipment is operated in a commercial environment. This equipment generates, uses, and can radiate radio frequency energy and, if not installed and used in accordance with the instruction manual, may cause harmful interference to radio communications. Operation of this equipment in a residential area is likely to cause harmful interference, in which case the user will be required to correct the interference at his own expense.

Properly shielded and grounded cables and connectors must be used in order to meet FCC emission limits. IBM is not responsible for any radio or television interference caused by using other than recommended cables and connectors or by unauthorized changes or modifications to this equipment. Unauthorized changes or modifications could void the user's authority to operate the equipment.

This device complies with Part 15 of the FCC Rules. Operation is subject to the following two conditions: (1) this device may not cause harmful interference, and (2) this device must accept any interference received, including interference that might cause undesired operation.

Industry Canada Class A emission compliance statement

This Class A digital apparatus complies with Canadian ICES-003.

Avis de conformité à la réglementation d'Industrie Canada

Cet appareil numérique de la classe A est conforme à la norme NMB-003 du Canada.

Australia and New Zealand Class A statement

Attention: This is a Class A product. In a domestic environment this product may cause radio interference in which case the user may be required to take adequate measures.

European Union EMC Directive conformance statement

This product is in conformity with the protection requirements of EU Council Directive 2004/108/EC on the approximation of the laws of the Member States relating to electromagnetic compatibility. IBM cannot accept responsibility for any failure to satisfy the protection requirements resulting from a nonrecommended modification of the product, including the fitting of non-IBM option cards.

Attention: This is an EN 55022 Class A product. In a domestic environment this product may cause radio interference in which case the user may be required to take adequate measures.

Responsible manufacturer:

International Business Machines Corp.
New Orchard Road
Armonk, New York 10504
914-499-1900

European Community contact:

IBM Deutschland GmbH
Technical Regulations, Department M372
IBM-Allee 1, 71139 Ehningen, Germany
Telephone: +49 7032 15 2941
Email: lugi@de.ibm.com

Germany Class A statement

Deutschsprachiger EU Hinweis: Hinweis für Geräte der Klasse A EU-Richtlinie zur Elektromagnetischen Verträglichkeit

Dieses Produkt entspricht den Schutzanforderungen der EU-Richtlinie 2004/108/EG zur Angleichung der Rechtsvorschriften über die elektromagnetische Verträglichkeit in den EU-Mitgliedsstaaten und hält die Grenzwerte der EN 55022 Klasse A ein.

Um dieses sicherzustellen, sind die Geräte wie in den Handbüchern beschrieben zu installieren und zu betreiben. Des Weiteren dürfen auch nur von der IBM empfohlene Kabel angeschlossen werden. IBM übernimmt keine Verantwortung für die Einhaltung der Schutzanforderungen, wenn das Produkt ohne Zustimmung der IBM verändert bzw. wenn Erweiterungskomponenten von Fremdherstellern ohne Empfehlung der IBM gesteckt/eingebaut werden.

EN 55022 Klasse A Geräte müssen mit folgendem Warnhinweis versehen werden: "Warnung: Dieses ist eine Einrichtung der Klasse A. Diese Einrichtung kann im Wohnbereich Funk-Störungen verursachen; in diesem Fall kann vom Betreiber verlangt werden, angemessene Maßnahmen zu ergreifen und dafür aufzukommen."

Deutschland: Einhaltung des Gesetzes über die elektromagnetische Verträglichkeit von Geräten

Dieses Produkt entspricht dem "Gesetz über die elektromagnetische Verträglichkeit von Geräten (EMVG)". Dies ist die Umsetzung der EU-Richtlinie 2004/108/EG in der Bundesrepublik Deutschland.

Zulassungsbescheinigung laut dem Deutschen Gesetz über die elektromagnetische Verträglichkeit von Geräten (EMVG) (bzw. der EMC EG Richtlinie 2004/108/EG) für Geräte der Klasse A

Dieses Gerät ist berechtigt, in Übereinstimmung mit dem Deutschen EMVG das EG-Konformitätszeichen - CE - zu führen.

Verantwortlich für die Einhaltung der EMV Vorschriften ist der Hersteller:

International Business Machines Corp.
New Orchard Road
Armonk, New York 10504
914-499-1900

Der verantwortliche Ansprechpartner des Herstellers in der EU ist:

IBM Deutschland GmbH
Technical Regulations, Abteilung M372

IBM-Allee 1, 71139 Ehningen, Germany
Telephone: +49 7032 15 2941
Email: lugi@de.ibm.com

Generelle Informationen:

Das Gerät erfüllt die Schutzanforderungen nach EN 55024 und EN 55022 Klasse A.

Japan VCCI Class A statement

この装置は、クラス A 情報技術装置です。この装置を家庭環境で使用すると電波妨害を引き起こすことがあります。この場合には使用者が適切な対策を講ずるよう要求されることがあります。 VCCI-A

This is a Class A product based on the standard of the Voluntary Control Council for Interference (VCCI). If this equipment is used in a domestic environment, radio interference may occur, in which case the user may be required to take corrective actions.

Japan Electronics and Information Technology Industries Association (JEITA) statement

高調波ガイドライン適合品

Japan Electronics and Information Technology Industries Association (JEITA)
Confirmed Harmonics Guidelines (products less than or equal to 20 A per phase)

Japan Electronics and Information Technology Industries Association (JEITA) statement

高調波ガイドライン準用品

Japan Electronics and Information Technology Industries Association (JEITA)
Confirmed Harmonics Guidelines with Modifications (products greater than 20 A per phase)

Korea Communications Commission (KCC) statement

이 기기는 업무용(A급)으로 전자파적합기기로
서 판매자 또는 사용자는 이 점을 주의하시기
바라며, 가정외의 지역에서 사용하는 것을 목
적으로 합니다.

This is electromagnetic wave compatibility equipment for business (Type A). Sellers and users need to pay attention to it. This is for any areas other than home.

Russia Electromagnetic Interference (EMI) Class A statement

ВНИМАНИЕ! Настоящее изделие относится к классу А.
В жилых помещениях оно может создавать радиопомехи, для
снижения которых необходимы дополнительные меры

People's Republic of China Class A electronic emission statement

中华人民共和国“A类”警告声明

声明

此为A级产品，在生活环境中，该产品可能会造成无线电干扰。在这种情况下，可能需要用户对其干扰采取切实可行的措施。

Taiwan Class A compliance statement

警告使用者：
這是甲類的資訊產品，在
居住的環境中使用時，可
能會造成射頻干擾，在這
種情況下，使用者會被要
求採取某些適當的對策。

Index

Numerics

- 110 V ac
 - power diagrams 32
- 220 V ac
 - power diagrams 34

A

- accessible documentation 116
- advanced management module
 - alert settings 50
 - general settings 48
 - indicators and controls 15
 - input output connectors 16
 - network interface settings 51
 - overview 14
 - planning 48
 - power management policies 30
 - security settings 52
 - serial port settings 50
 - user profile settings 49
- advanced management module configuration worksheet 93
- air recirculation prevention 36
- airflow 36
- alert setting 50
- Australia Class A statement 117

B

- battery backup unit
 - installation 66, 68
- blade server 12
 - installation worksheet 71
- blade server deployment
 - application considerations 46
 - hardware considerations 44
 - operating system considerations 45
 - overview 44
- BladeCenter Open Fabric Manager 47
- BladeCenter S installation planning worksheet 85
- BladeCenter S system 6
- BladeCenter S Types 7779 and 8886
 - connectors, hot-pluggable 1
 - expansion capabilities 1
 - features 1
 - hot-pluggable connectors 1
 - overview 1
 - X-architecture technology 1
- BTUs 36

C

- cabling worksheet 89
- Canada Class A electronic emission statement 117
- chassis deployment 40

- China Class A electronic emission statement 120
- Class A electronic emission notice 117
- CLP 51
- components 6
 - advanced management module 14
 - battery backup unit 11
 - blade servers 12
 - fan module 22
 - I/O modules 19
 - media tray 9
 - power modules 21
 - SAS connectivity module bays 19
 - serial pass-thru module 17
- configuration
 - tools 47
 - worksheets 93
- configuration options for advanced management module
 - port assignments 51
- configuration options for management module
 - network protocols 51
- configuration planning, Ethernet switch module 52
- configuring
 - planning for 47
- connectors
 - keyboard 48
 - mouse 48
 - video 48
- connectors, hot-pluggable 1
- contamination, particulate and gaseous 115
- controls and indicators
 - battery backup unit 11
 - media tray 9
- cooling 5, 36
- cooling considerations 35
- cords, power 107, 109

D

- deployment
 - blade server hardware considerations 44
 - BladeCenter S system 40
 - planning 39
 - tools 42
- Deployment
 - blade servers
 - application considerations 46
 - deployment tools
 - IBM Director 42
 - management connection 43
- Deployment tools
 - Remote Deployment Manager 43
- depth, BladeCenter S chassis 25
- dimensions, BladeCenter S chassis 25

- disk storage module
 - overview 7
- DNS 51
- documentation
 - BladeCenter S system 2
 - CD 3
 - format 116
 - documentation CD 3

E

- electrical input 5
- electronic emission Class A notice 117
- environment 5
- Ethernet switch module configuration
 - planning 52
- European Union EMC Directive conformance statement 117
- expansion capabilities 1

F

- fan module
 - overview 22
- FCC Class A notice 117
- features 1, 5
- floor space 25
- front view
 - BladeCenter S chassis 6
 - parts list 105
- FTP 51

G

- gaseous contamination 115
- general settings 48
- Germany Class A statement 118
- guidelines
 - power 31
 - power consumption 29

H

- hardware options
 - BladeCenter S chassis 40
 - I/O module bay 1 40
 - I/O module bay 2 41
 - I/O module bay 3 41
 - I/O module bay 4 41
- heat output 5, 36
- height, BladeCenter S chassis 25
- hot-pluggable connectors 1
- HTTP 51
- HTTPS 51
- humidity 35

I

- I/O module
 - bays 19
 - overview 19
- I/O module bay 1 hardware options 40
- I/O module bay 2 hardware options 41
- I/O module bay 3 hardware options 41
- I/O module bay 4 hardware options 41
- I/O module bay configuration 40
- IBM Director 23, 42
- IBM ServerGuide 43
- important notices 114
- indicators and controls
 - advanced management module 15
 - fan 22
 - hard disk drive 7
 - power module 21
 - storage module 7
- input output connectors
 - advanced management module 16
- installation worksheet
 - blade server 71
 - workstation blade 71
- installation worksheets
 - cabling 89
 - overview 71
 - power 91
 - rack 87
- integrated storage
 - Storage Configuration Manager 24
- integrated storage configuration
 - planning 53

J

- Japan Class A electronic emission statement 119
- Japan Electronics and Information Technology Industries Association statement 119
- JEITA statement 119

K

- Korea Class A electronic emission statement 119

L

- LDAP 51
- LEDs
 - advanced management module 15
 - battery backup unit 11
 - blade server 12
 - fan 22
 - hard disk drive 7
 - media tray 9
 - power module 21
- LEDsdisk storage module 7

M

- management connection 43
- media tray
 - battery backup unit 11

- media tray (*continued*)
 - overview 9

N

- network interface settings 51
- network protocols 51
- network topologies 39
- New Zealand Class A statement 117
- noise considerations 28
- notes, important 114
- notices 113
 - electronic emission 117
 - FCC, Class A 117
- notices, types of 4

O

- online documentation 2
- operating systems considerations 45
- overview 12, 47

P

- part numbers 107, 109
 - power cords 107, 109
- particulate contamination 115
- parts list
 - BladeCenter S chassis front 105
 - BladeCenter S chassis rear 106
- parts listing 105
- People's Republic of China Class A electronic emission statement 120
- physical environment
 - planning 25
- planning
 - advanced management module 48
 - configuration 47
 - for deployment 39
 - network topologies 39
 - physical environment 25
- Planning
 - hardware 40
 - I/O module bays 40
- power
 - allocation guidelines 31
 - considerations 28
 - consumption guidelines 29
 - cords 107, 109
 - diagrams, 110 V ac 32
 - diagrams, 220 V ac 34
 - management policies 30
 - requirements 29
 - worksheet 91
- power module
 - overview 21
- predefined configuration 02 56
- predefined configuration 03 58
- predefined configuration 04 59
- predefined configuration 05 60
- predefined configuration 06 61
- predefined configuration 07 62
- predefined configuration 08 63
- predefined configuration 09 64
- predefined zoning configurations 55
- prevention of air recirculation 36

R

- rack
 - requirements 26
 - worksheet 87
 - rack considerations 27
 - rack requirements 26
 - RAID 0 66
 - RAID 0+1 66
 - RAID 1 66
 - RAID 2 66
 - RAID arrays 66
 - RAID5 66
 - rear view
 - BladeCenter S chassis 14
 - parts list 106
 - Remote control protocol 51
 - Remote Deployment Manager 43
 - replacement parts 105
 - replacing SAS connectivity modules with SAS RAID controller modules
 - adding SAS RAID controller modules to an existing installation 68
 - Russia Class A electronic emission statement 120
- ## S
- SAS connectivity module
 - worksheet 101, 103
 - SAS RAID controller module
 - overview 66, 68
 - zoning 68
 - SAS zoning
 - configuration stores 53
 - planning 53
 - SAS zoning configurations
 - predefined 55
 - user defined 54
 - security settings 52
 - serial pass-thru module
 - overview 17
 - serial port connector pin locations 17
 - serial pinout
 - advanced management module 16
 - serial pass-thru module 17
 - serial port settings 50
 - ServerGuide 43
 - size 5
 - SLP 51
 - SMASH CLP 51
 - SMTP 51
 - SNMP 51
 - storage configuration
 - predefined configuration 02 56
 - predefined configuration 03 58
 - predefined configuration 04 59
 - predefined configuration 05 60
 - predefined configuration 06 61
 - predefined configuration 07 62
 - predefined configuration 08 63
 - predefined configuration 09 64
 - Storage Configuration Manager 47
 - overview 24
 - storage management 23
 - system specifications 5
 - systems management 23

Systems management 23

T

Taiwan Class A electronic emission
statement 120
TCP command mode protocol 51
telecommunication regulatory
statement 116
Telnet protocol 51
temperature 35
TFTP 51
trademarks 114

U

United States FCC Class A notice 117
upgradeable microcode 5
user defined zoning configurations 54
user profile settings 49

W

weight 5, 25
limits, rack 27
width, BladeCenter S chassis 25
worksheets
advanced management module
configuration 93
blade server 71
BladeCenter S Types 7779 and
8886 85
cabling 89
configuration 93
installation 71
power 91
rack 87
SAS connectivity module 101, 103
workstation blade 71
workstation blade installation
worksheet 71

X

X-architecture technology 1

Z

zoning
SAS RAID controller module 68



Part Number: 46W8161

Printed in USA

(1P) P/N: 46W8161

