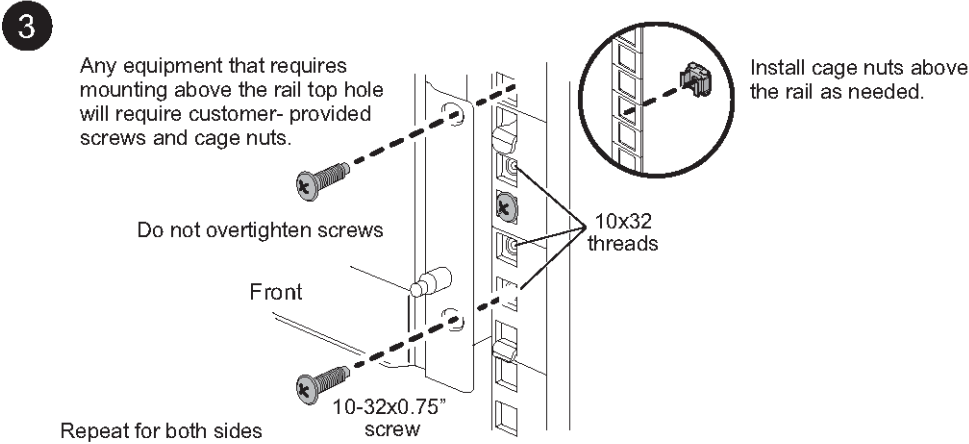
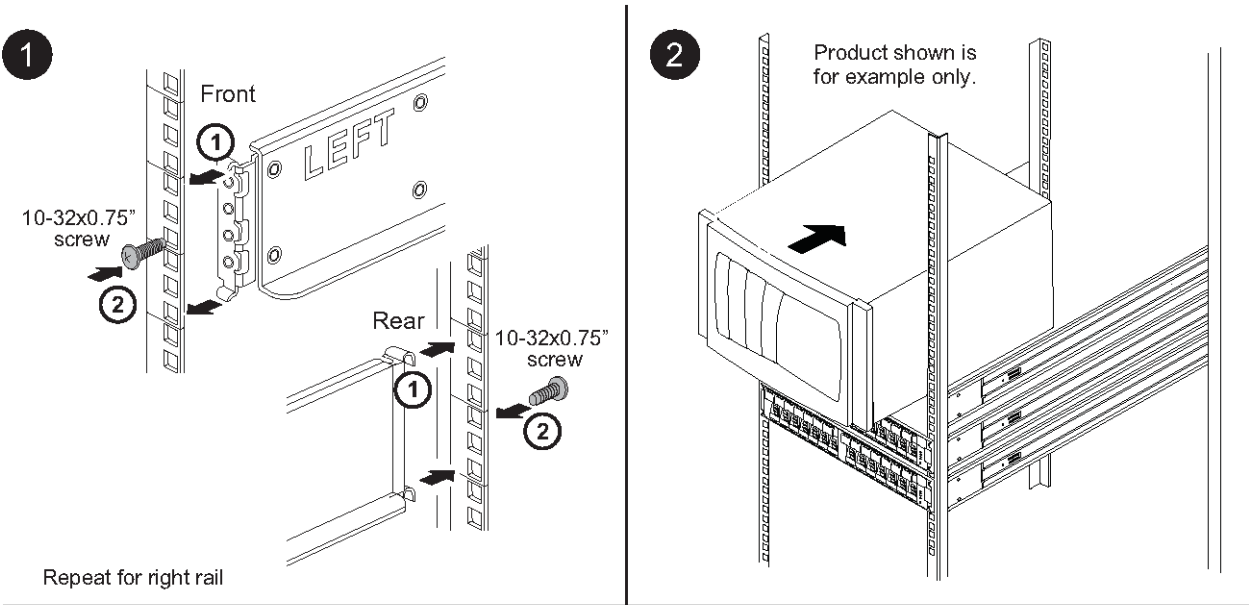
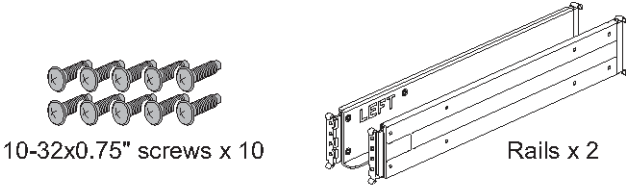


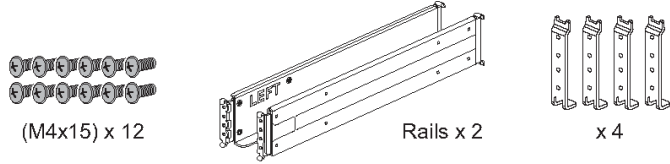
DM/DE Series 2U24, 3U, 4U rail kit installation instructions

The Rail can be either installed on a standard square-hole four-post rack or a standard round-hole four-post rack by using the round-to-square hole adaptor brackets. Before you begin, verify that you have the correct rail type by examining the PN label located on the rail (PN: SM17A38397).

Installing Rail to square-hole four-post rack



Installing Rail to round-hole four-post rack



1 Left, right, front, rear

Partially tighten

M4x15 screw

Do not install this screw on the front brackets for all 2U drive shelves and systems. It is installed after the equipment is in place.

2 Front

Tighten front screws

Rear

2 Tighten all rear screws

Repeat for right rail

3 Product shown is for example only.

4 Caution: Controller ears will bend if screws are overtightened.

Any equipment that requires mounting above the rail top hole will require customer-provided screws.

Front

M4x15 screw

Adaptor holes are M4X0.7 thread

Repeat for both sides

First Edition (September 2018)

© Copyright Lenovo 2018.

Lenovo and the Lenovo logo are trademarks of Lenovo in the United States, other countries, or both. Other company, product, or service names may be trademarks or service marks of others.

LIMITED AND RESTRICTED RIGHTS NOTICE: If data or software is delivered pursuant to a General Services Administration (GSA) contract, use, reproduction, or disclosure is subject to restrictions set forth in Contract No. GS-35F-05925.

Printed in China

(1P) P/N: SP47A12548

