

# DM7100H Systems

## Installation and Setup Instructions

### Prepare for installation | Stage 1

Pre-setup

1. Unpack all boxes and inventory contents.
2. Complete the Cluster Configuration Worksheet.



In the box

**100 GbE cables (QSFP28)**



**RJ-45 cables**

Wrench port (e0M/BMC)  
(order-dependent)



**Storage Cables**

mini-SAS HD to  
mini-SAS HD cables



**Additional cables**



Ethernet cables



Power cables



micro USB console cable

**25 GbE cables (SFP28)**

HA interconnect, GbE network cables



**32 Gb FC (SFP+ Op)**

FC optical network cables



**16 Gb FC or 25GbE cables**

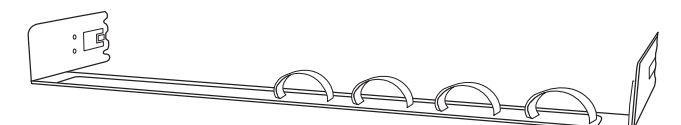
Mezzanine cards (SFPs pre-installed)



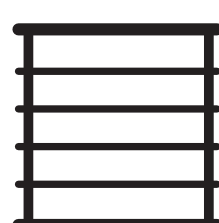
**Slide rail kit**



**Cable management tray**

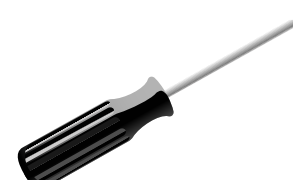


You provide

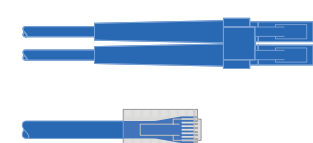


**Rack space**

4U per DM7100H chassis  
+4U for each DM600S shelf  
or +2U for each DM240S shelf  
or +2U for each DM120S shelf



**Screwdriver**



**Additional network cables**

For connecting your storage system  
to your network switch and  
Microsoft® Windows® client



**Client**

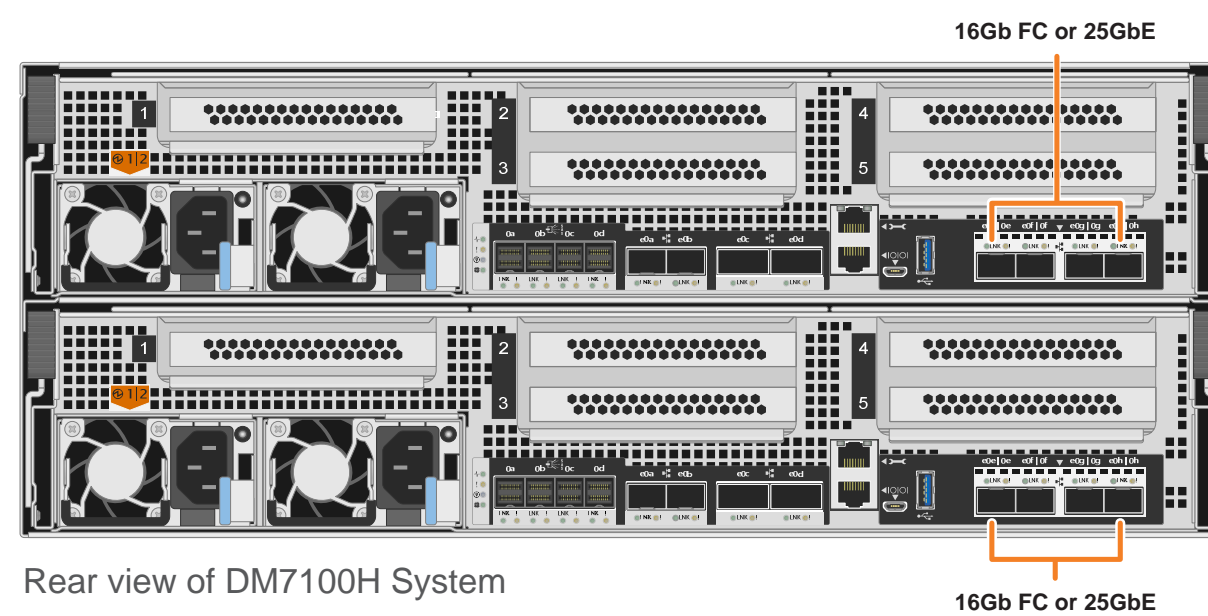
Runs the software to configure  
your storage system.

For Barcode Position Only

Printed in China  
(1P) P/N: SP47B36643

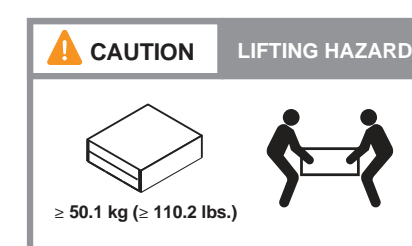
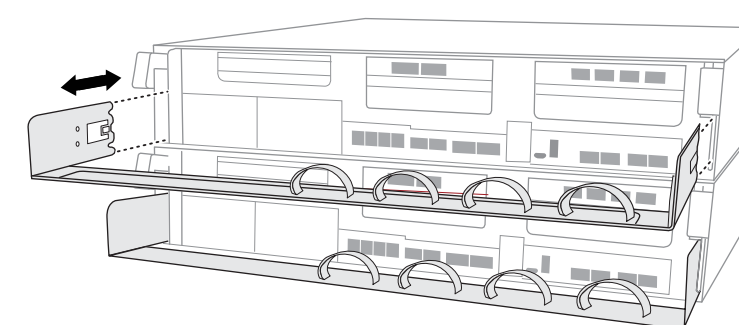


# Install hardware | Stage 2



## 1 Install system in a rack

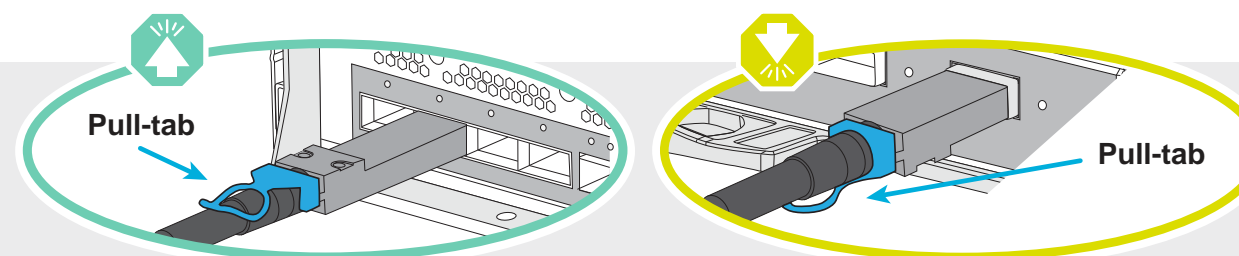
- Install the rail kits, as needed, and then install and secure your system using the instructions included with the kit.
- Attach cable management devices (as shown).
- Place the bezel on the front of the system.
- Install any drive shelves for your system.



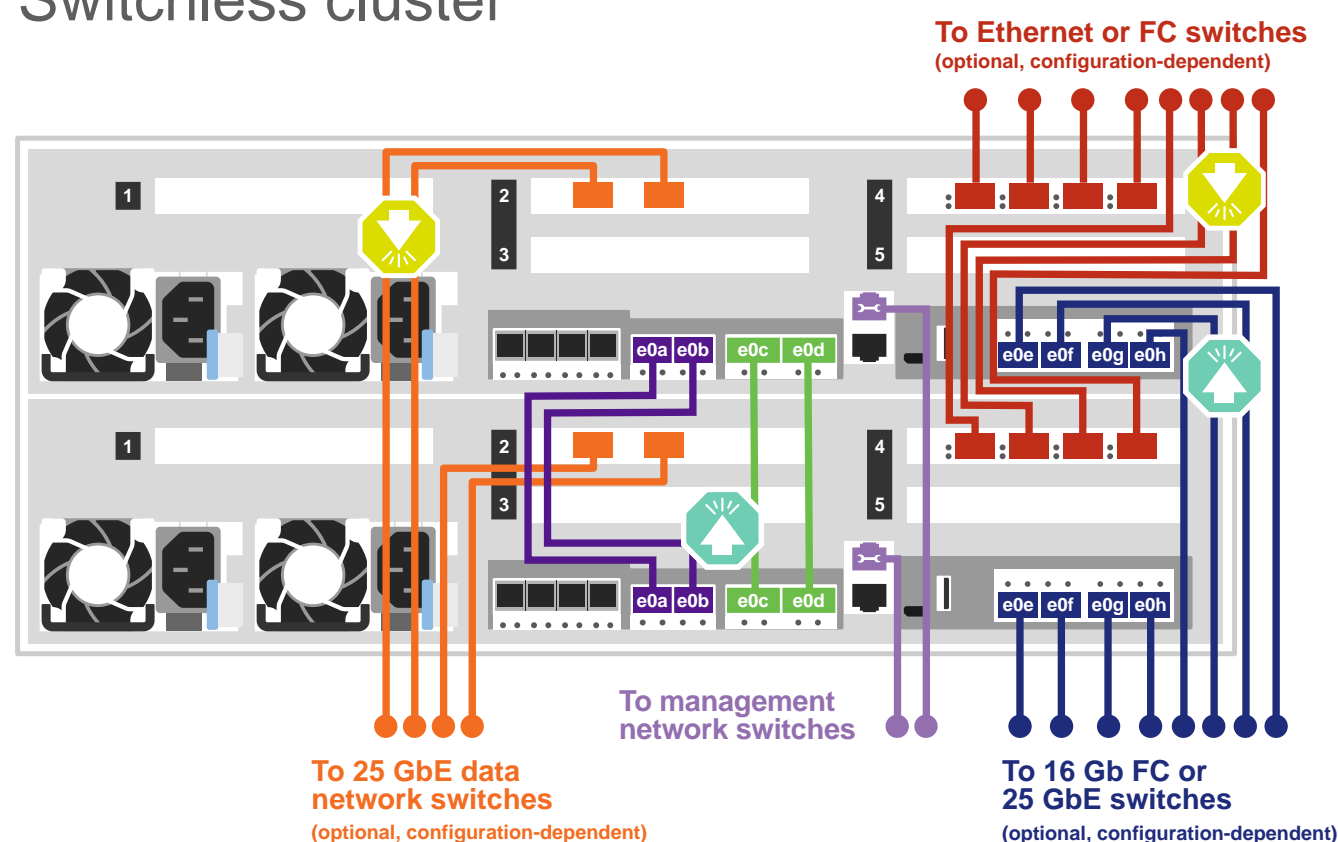
## 2 Cable the controller for a switchless or switched cluster

See your network administrator for help connecting to your switches.

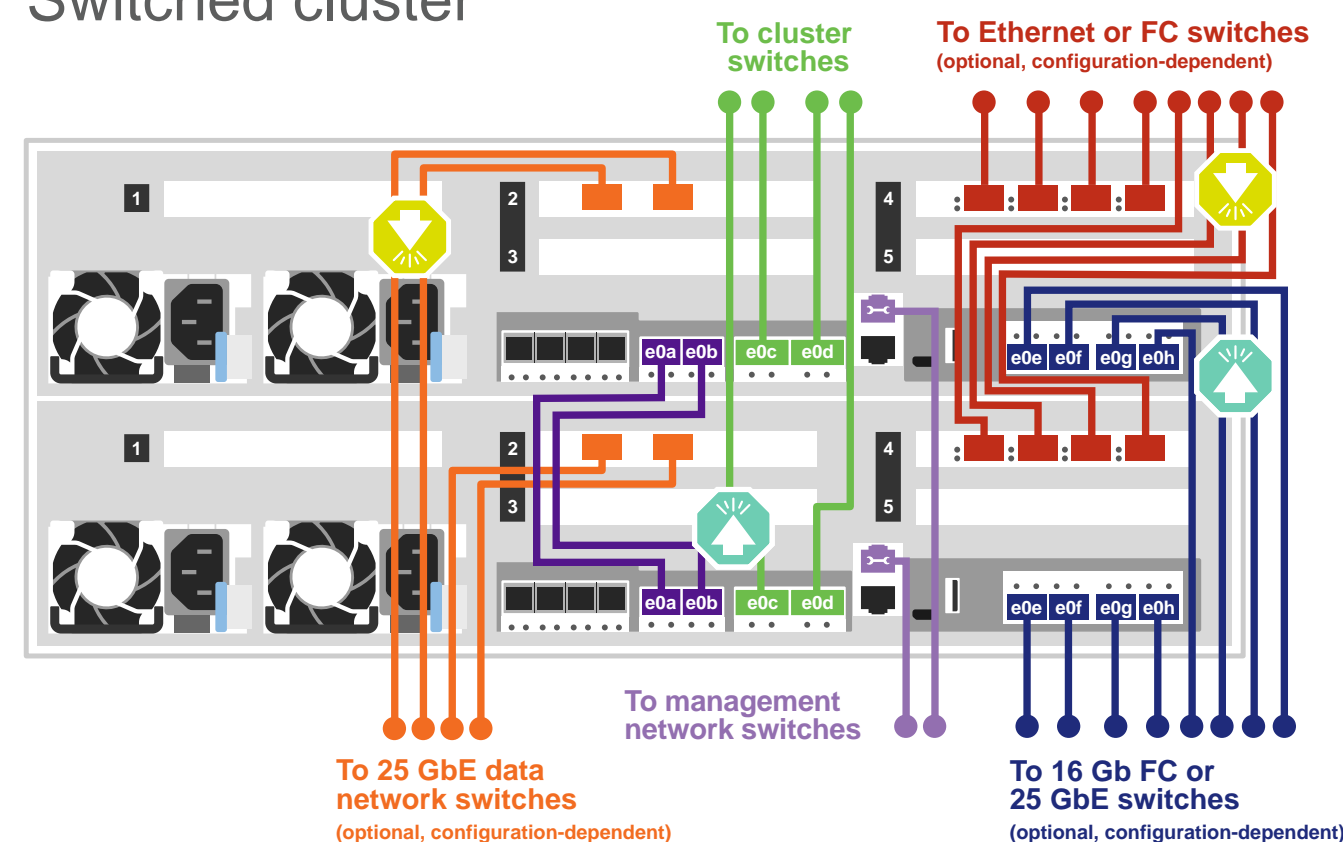
**Attention:** Be sure to check the illustration arrow for the proper cable connector pull-tab orientation.  
**Note:** To unplug a cable, gently pull the tab to release the locking mechanism.



### Switchless cluster



### Switched cluster



**Switchless cluster:** Connect ports e0c to e0c and ports e0d to e0d.

**Switched cluster:** Controller 1: Connect port e0c to switch 1 and port e0d to switch 2. Controller 2: Connect port e0c to switch 1 and port e0d to switch 2.



Connect ports e0a to e0a and ports e0b to e0b



Connect ports to the 25 GbE data network switches (optional, configuration dependent).



Connect ports to the FC data network switches (optional, configuration dependent).



Connect the Wrench port (e0M/BMC) to the management switches



Connect the mezzanine cards (e0e through e0h) to either 16 Gb FC or 25 GbE switches; configuration dependent.

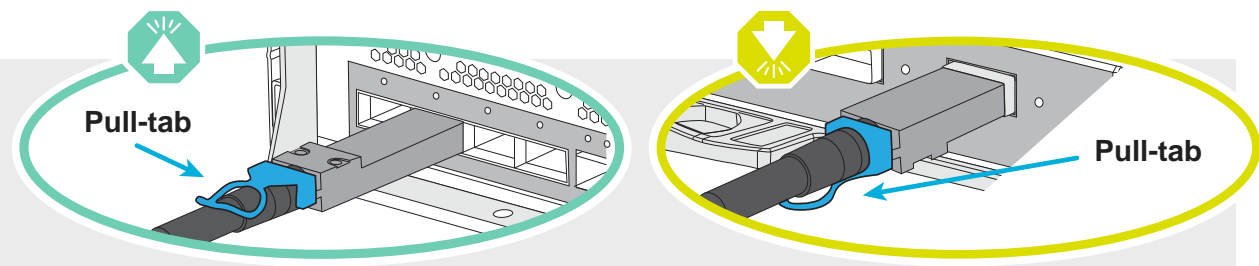
Strap the cables to the cable management arms. (not shown)

**DO NOT plug the power cables into a power source yet.**  
 The system will boot as soon as the power cables are plugged into the power source and power supplies.



# Cable storage | Stage 3

**Attention:** Be sure to check the illustration arrow for the proper cable connector pull-tab orientation.  
**Note:** To unplug a cable, gently pull the tab to release the locking mechanism.



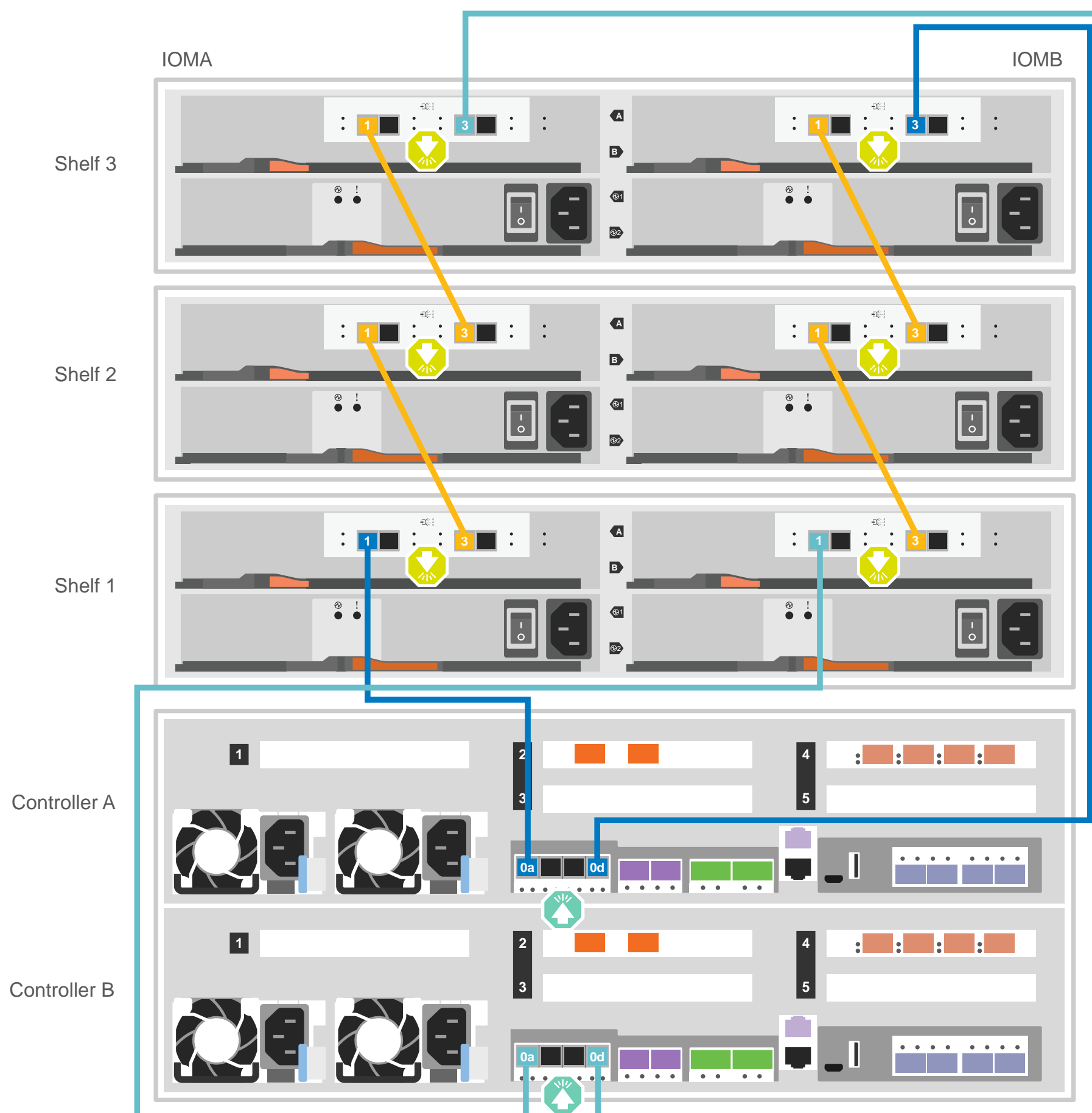
## Cabling a DM7100H system to three DM240S shelves



- Connect the shelf-to-shelf ports
- Connect Controller A to the drive shelves
- Connect Controller B to the drive shelves

**NOTE:** Prior to connecting the Nodes to the IOMs in the stack, verify that the Tied Controller System ID matches your DM controller Serial Number using the label on the top of the expansion shelf. Refer to the label graphics on the right.

Tied Controller System  
连接控制器系统  
DM MT-M: 7YXX-CTO1WW  
DM SN: XXXXXXXX  
Stack #: 1



## 1 If your system has one or more external drive shelves, set the shelf IDs:

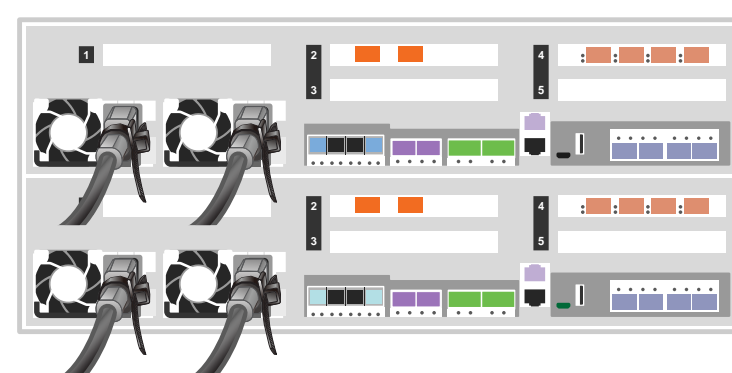
1. Connect the shelves to different power sources, power on the drive shelf, and then remove the end cap on the left of the shelf.
2. Press and hold the shelf ID button until the first digit blinks, and then press the button to advance the first digit (0-9) to the desired number. The first digit continues to blink.
3. Press and hold the button until the second digit blinks, and then press the button to advance the second digit (0-9) to the desired number. The first digit stops blinking, and the second digit continues to blink.
4. Press and hold the button until the second digit stops blinking, and then replace the end cap on the shelf.
5. Wait about 10 seconds for both digits to start blinking again and for the LED to illuminate, and then power-cycle the drive shelf to make the shelf ID take effect.
6. Repeat these steps for any remaining drive shelves.

## 2 Power on the controllers

Connect and secure the power cables:

- Connect the shelves to different power sources.
- Connect the controllers to different power sources.

**Note:** The system begins to boot as soon as the power supplies are connected to the power sources. Booting may take up to 8 minutes.



## 3 Complete initial cluster setup:

1. Assign an initial node management IP address to one of the nodes:
  - If you have DHCP configured on your management network, record the IP address assigned to the new controllers.
  - If DHCP is not configured on your management network:
    - a. Open a console session using PuTTY, a terminal server, or the equivalent for your environment.
    - b. Enter the node management IP address when prompted.
2. Use Storage Manager Guided Setup to configure your cluster:
  - a. Point your browser to the address you assigned in step 1.
  - b. Enter the data from your Cluster Configuration Worksheet.

**Note:** When using Guided Setup to configure your cluster, ensure that your service processor addresses are configured in an isolated network so that the addresses are not routable.

## 4 Use Storage Manager Guided Setup to configure your cluster

## 5 Completing setup

1. Go to <https://commercial.lenovo.com> and login with your corporate account.
2. Choose Monitor from the navigation pane to enter the ThinkSystem Intelligent Monitoring page.
3. Monitor health status of all your systems on the page.



### HELPFUL LINKS

- Lenovo Data Center Support Web site (worldwide):  
<http://datacentersupport.lenovo.com/>
- Lenovo Data Center Support Web site (China):  
<http://support.lenovo.com.cn/EsWeb/>
- ThinkSystem Storage Documentation:  
<https://thinksystem.lenovofiles.com/storage/help/index.jsp>

Second Edition (October 2022)  
© Copyright Lenovo 2022.

LIMITED AND RESTRICTED RIGHTS NOTICE: If data or software is delivered pursuant to a General Services Administration (GSA) contract, use, reproduction, or disclosure is subject to restrictions set forth in Contract No. GS-35F-05925.

LENOVO and LENOVO logo are trademarks of Lenovo.  
Microsoft and Windows are trademarks of the Microsoft group of companies.  
All other trademarks are the property of their respective owners.  
© 2022 Lenovo.