

ThinkSystem Micro DataCenter 6U 1200mm Deep Rack Cabinet Unpacking Instructions



ThinkSystem Micro DataCenter 6U 1200mm Deep Rack Cabinet Unpacking Instructions

This document provides instruction of unpacking the rack cabinet.

Requirements

See this section for space and tools required to unpack and install the rack cabinet.

S037



CAUTION:

The weight of this part or unit is more than 55 kg (121.2 lb). It takes specially trained persons, a lifting device, or both to safely lift this part or unit.

Space

You will need minimum of 3 m (10 ft) on the rear side of the pallet to unpack the rack cabinet.

Tools

You will need the following tools:

- One tool with plastic blade
- One 13-mm socket wrench

Remove the packing materials

Follow the instructions in this section to remove the packing materials.

Note: Save the packing materials for later use, or recycle them.

Complete the following steps to remove the protective packaging from the rack cabinet:

Step 1. Cut the three plastic pallet straps that secure the cabinet.

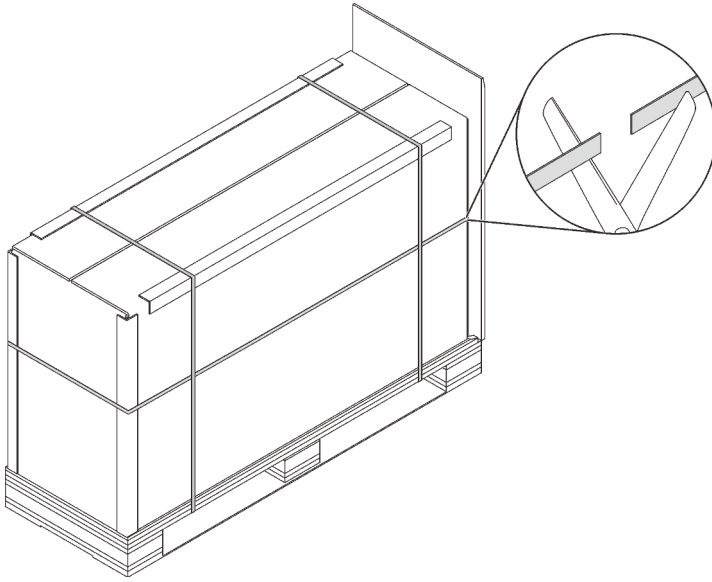


Figure 1. Removing the packing materials

Step 2. Remove the cardboard box and two side panels from the cabinet.

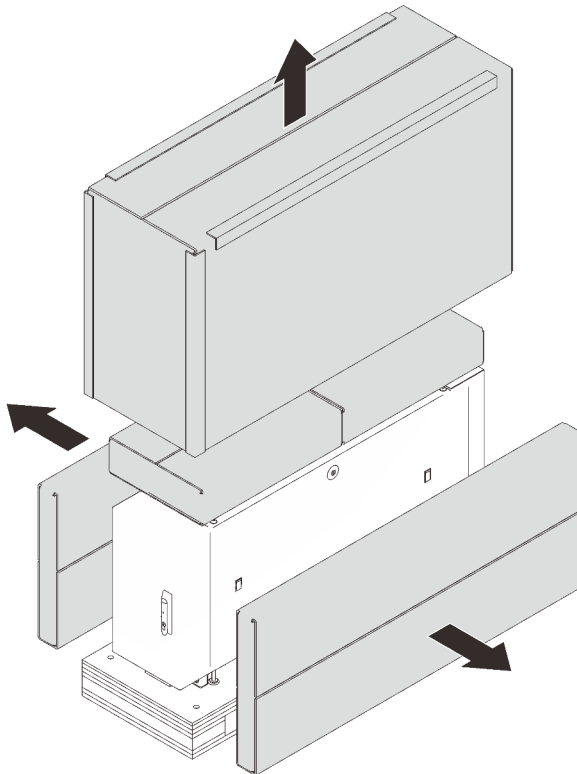


Figure 2. Removing the packing materials

Step 3. Cut the stretch wrap with a tool with sharp ends, and carefully remove the stretch wrap.

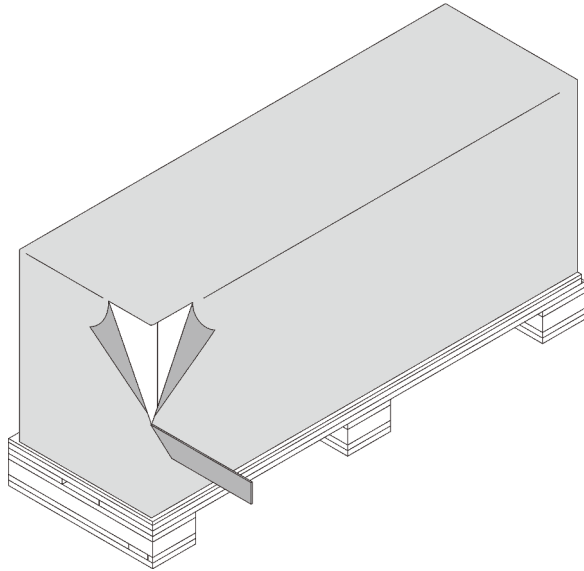


Figure 3. Removing the packing materials

Identify rack cabinet components and tools

Identify each of the components that included in the box that contains the rack cabinet.

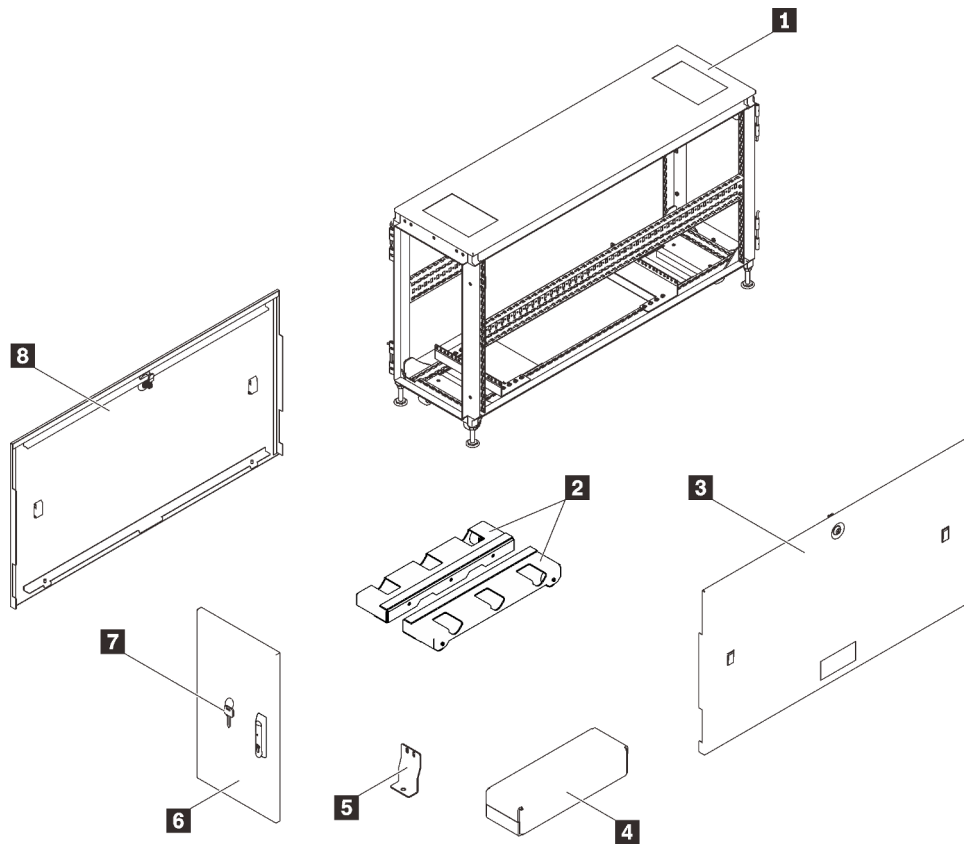


Figure 4. Rack cabinet components

Table 1. Rack cabinet components

1 Rack cabinet frame	5 Shipping bracket
2 Wheeled trays	6 Removable and reversible door
3 Removable side panel	7 Key
4 Hardware box (see “Hardware box” on page 4)	8 Removable side panel

Hardware box

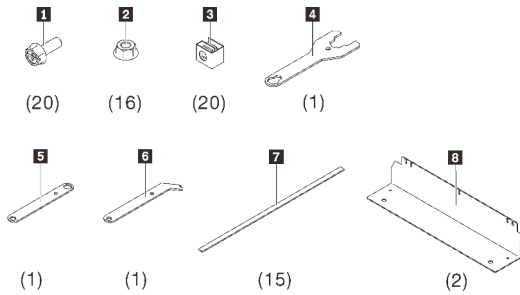


Figure 5. Components in the hardware box

Table 2. Components in the hardware box

1 20 M6 screws	5 One socket wrench
2 16 flange nuts	6 One spud socket wrench
3 20 G-type cage nuts	7 15 cable ties
4 One combination wrench	8 Two bolt-down brackets

Moving the rack cabinet

Follow the instructions in this section to move the rack cabinet to the designated site.

S037



CAUTION:

The weight of this part or unit is more than 55 kg (121.2 lb). It takes specially trained persons, a lifting device, or both to safely lift this part or unit.



Attention - Tip hazard.

Important:

- The task in this section requires more than two people.

- The cabinet could be easily tipped. Move it with extreme caution.

WARNING: Failure to follow these instructions could result in equipment damage, severe injuries, or death.

Before moving the rack cabinet, complete the following steps:

1. Unlock and open both doors by pulling up the handle and turning it clockwise.

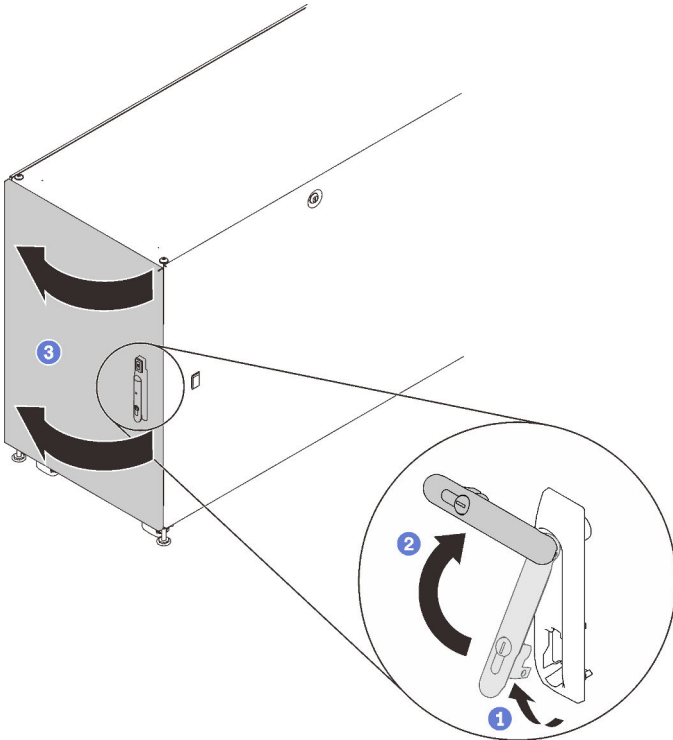


Figure 6. Opening the door

2. Remove the four shipping brackets that secure the cabinet to the pallet.

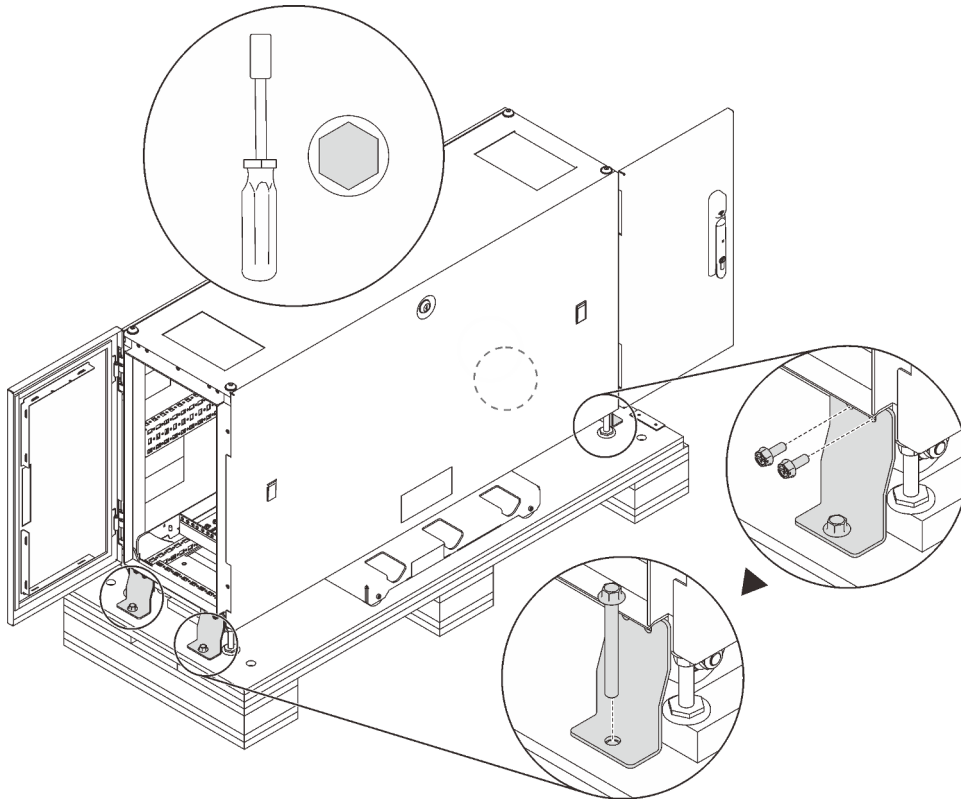


Figure 7. Removing shipping brackets

Two options are available when moving the cabinet:

Casters

S037



CAUTION:

The weight of this part or unit is more than 55 kg (121.2 lb). It takes specially trained persons, a lifting device, or both to safely lift this part or unit.

Complete the following steps to move the cabinet to the designated site:

- Step 1. Make sure the leveling feet are all up. If not, complete the following procedure on each of the leveling feet.
 - a. Loosen the nut that fixes the leveling foot.

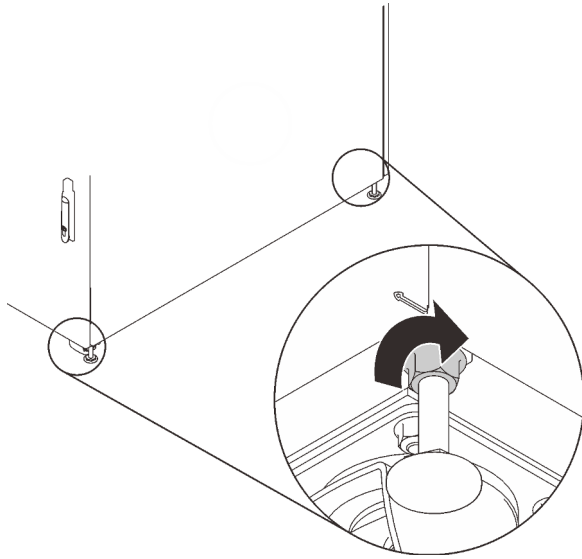


Figure 8. Loosening the nut

- b. Insert the open end of the combination wrench in the hardware box (see **4** in “Hardware box” on page 4) into the screw above the leveling foot, and turn it counterclockwise until it no longer makes contact with the floor.

Note: Make sure to shorten the cabinet feet enough to allow the cabinet to slide on the ramp without getting stuck.

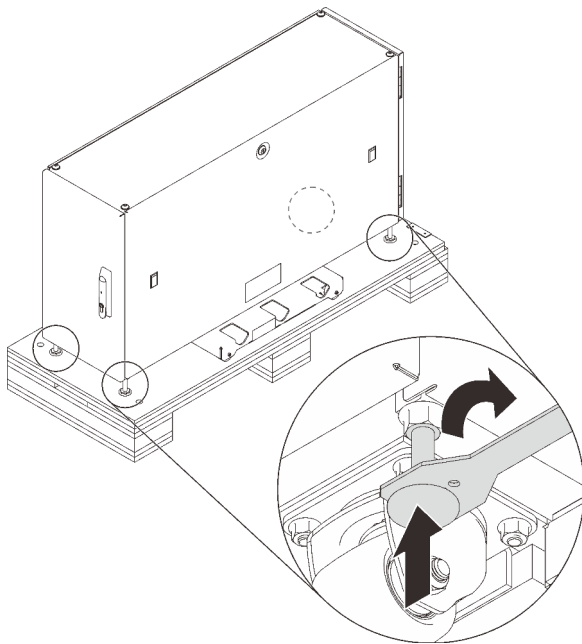


Figure 9. Adjusting the rack cabinet feet

- Step 2. Make sure the ramp board is lowered and balanced, and then push the cabinet from the rear until it reaches the designated site.

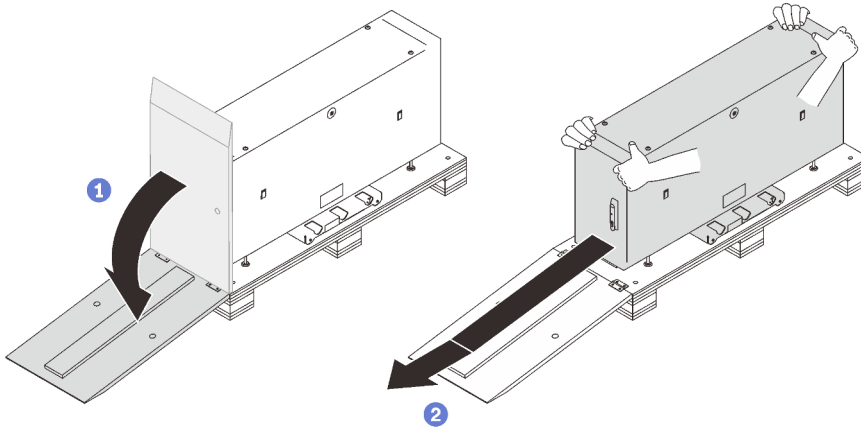


Figure 10. Sliding the cabinet down from the pallet

Notes:

- Make sure that more than two people are handling the cabinet while sliding it down from the ramp board.
- Do not stand in the path of the cabinet.

Crane lifter



Attention - Drop hazard.

Complete the following steps to lift and move the cabinet to the designated site:

Step 1. Remove the four plugs from the four corners on the top of the cabinet frame.

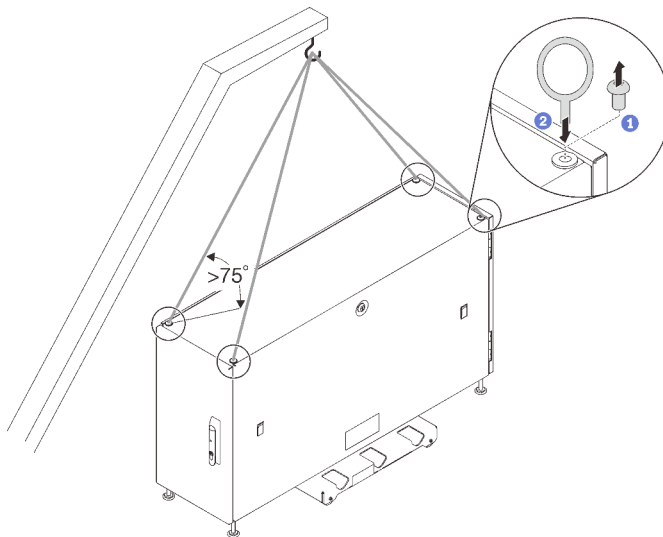


Figure 11. Lifting the rack cabinet

Step 2. Install one M12 eye bolt to each hole, and make sure they stay solidly connected to the cabinet.

Step 3. Connect the four eye bolts to the hook of a crane lifter, and make sure the cord length allows an angle more than 75°.

Step 4. Lift the cabinet and place it to the designated site.

After moving the cabinet to the designated site, complete the following steps:

1. Make sure the leveling feet are down and make firm contact to the ground. If not, complete the following procedure on each of the leveling feet.
 - a. Loosen the nut that fixes the leveling foot if necessary.

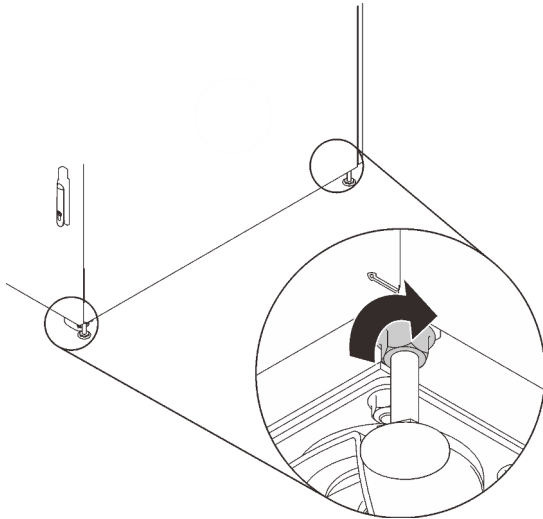


Figure 12. Loosening the nut

- b. Insert the open end of the combination wrench in the hardware box (see [4](#) in “Hardware box” on [page 4](#)) into the hexagonal head of the foot, and turn it clockwise until the foot makes firm contact with the floor.

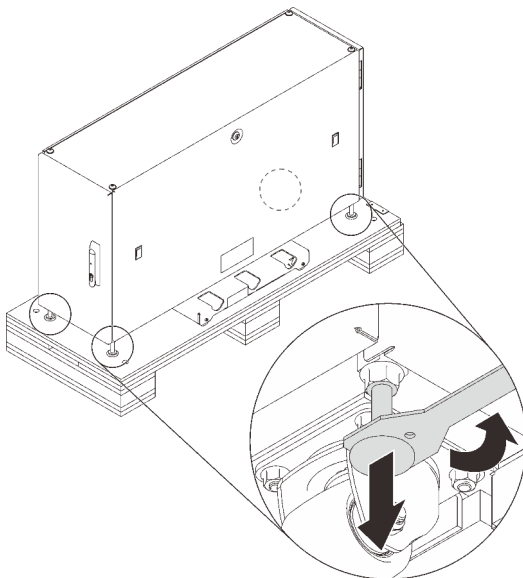


Figure 13. Adjusting the rack cabinet foot

- c. Once the leveling foot makes firm contact with the floor, tighten the nut that fixes it.

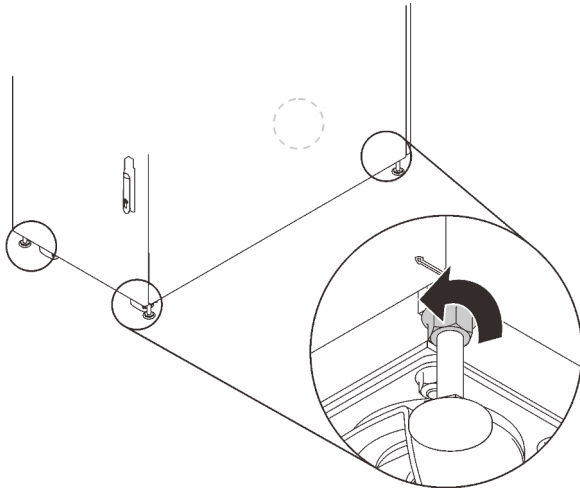


Figure 14. Tightening the nut

2. To secure the cabinet to the ground, you can install the bolt-down brackets that is included in the hardware box (see **8** in “Hardware box” on page 4).

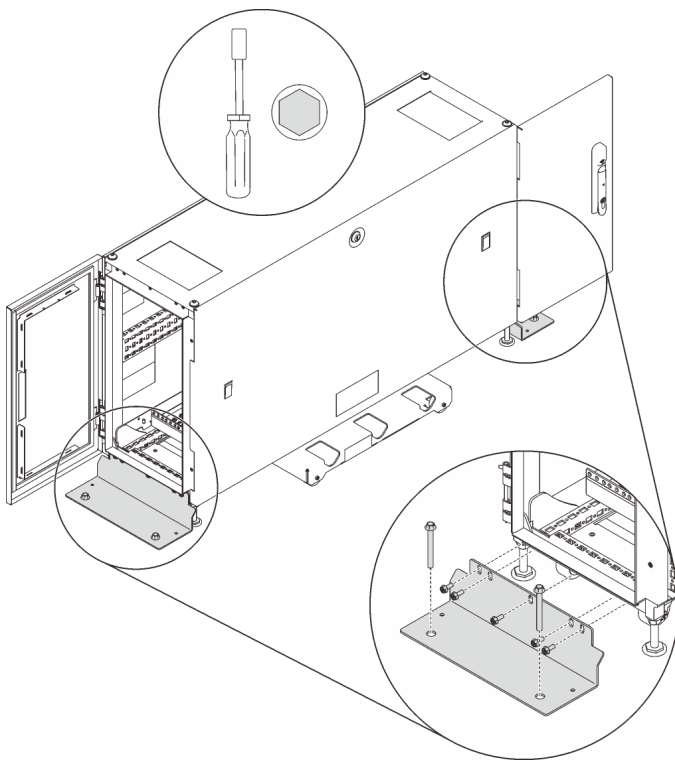


Figure 15. Installing the bolt-down brackets

Contacting support for door position monitor device

You can contact support to obtain help for the issues that are related to the door position monitor device.

Some cabinets might come with the following devices:

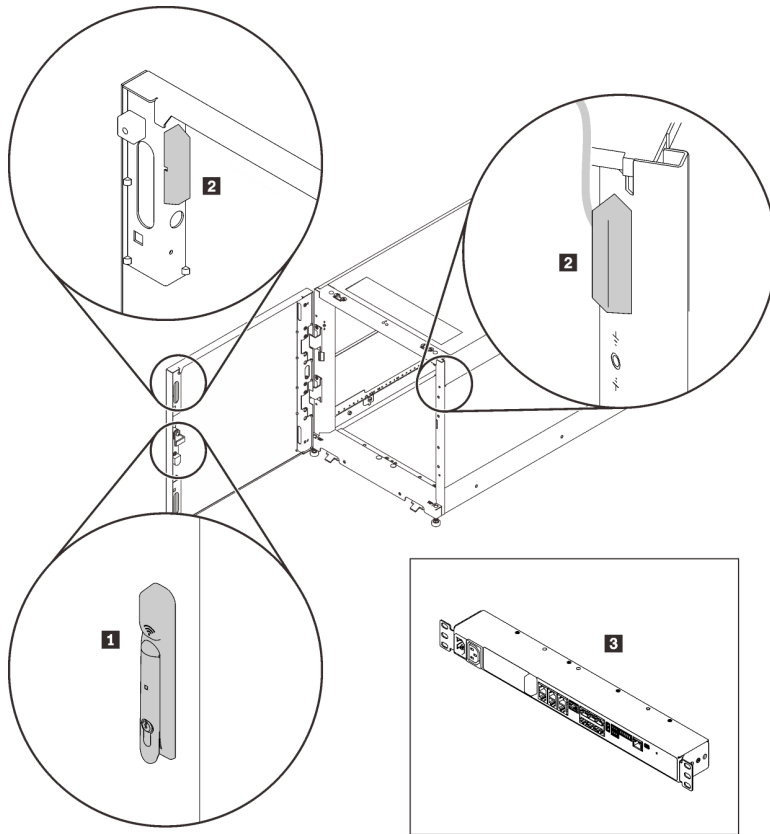


Figure 16. Door position monitor devices

- **1** Electronics lock
- **2** Door position monitor magnet and switch
- **3** Environmental monitoring appliance

In this case, contact the following for technical support and service with these devices.

- Phone number: +86-400-810-1315 (English/Chinese). Service hours: (UTC+8):
 - **Monday-Friday:** 08:15-18:00
 - **Saturday:** 09:00-17:00
- E-mail address: itbtech.support@schneider-electric.com
- Service website: <https://www.schneider-electric.cn/zh/work/services/>

For more information, see https://support.lenovo.com/docs/6u_1200mm.



First Edition (May 2020)

© Copyright Lenovo 2020.

Lenovo and the Lenovo logo are trademarks of Lenovo in the United States, other countries, or both. Other company, product, or service names may be trademarks or service marks of others.

LIMITED AND RESTRICTED RIGHTS NOTICE: If data or software is delivered pursuant to a General Services Administration (GSA) contract, use, reproduction, or disclosure is subject to restrictions set forth in Contract No. GS-35F-05925.

Printed in China
(1P) P/N: SP47A59023

