

ThinkSystem D2 Cable Management Arm

ThinkSystem D2 Cable Management Arm

ThinkSystem D2 Cable Management Arm contains the following items.

Note: The illustration in this document might differ slightly from your hardware.

Cable Management Arm box contents

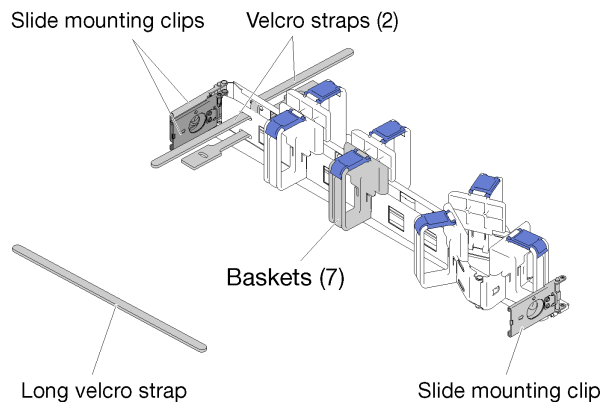


Figure 1. Cable management arm box contents

- One cable management arm
 - Two velcro straps (pre-attached)
 - One long velcro strap (used for shipping with a rack only)
 - Seven cable baskets (pre-attached)
 - Three slide mounting clips
- This document

Lenovo maintains pages on the World Wide Web where you can get the latest technical information and download device drivers and updates. To access these pages, go to <http://www.lenovo.com/support> and follow the instructions.

Install the cable management arm

Use this information to install the cable management arm.

To install the cable management arm, complete the following steps.

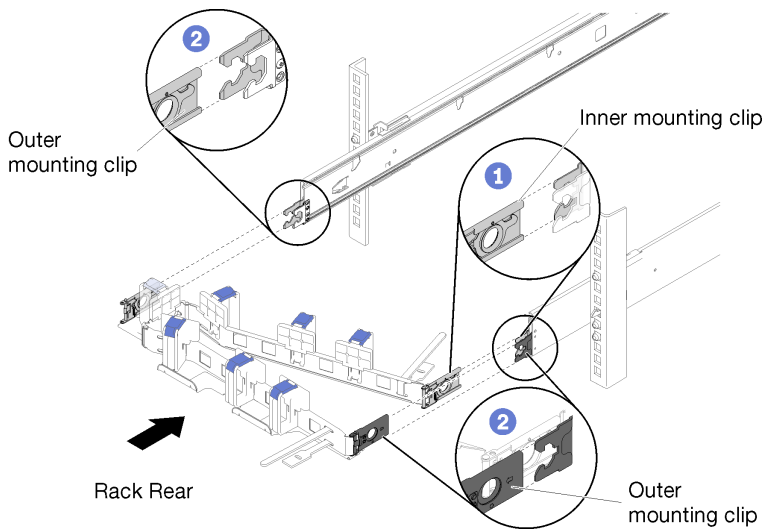


Figure 2. Cable management arm installation

- Step 1. Make sure the enclosure is pushed fully into the rack and the thumbscrews are tightened.
- Step 2. Align the inner mounting clip with the inner tab on the slide, then, push it until it snaps into place.
- Step 3. Align two outer mounting clips with the outer tabs on the slides; then, push them until they snap into place.

Connect and route cables

Use this information to connect and route cables.

Note: Use the cable straps provided on the cable management arm to retain the cables and prevent them from sagging.

To connect and route cables, complete the following steps.

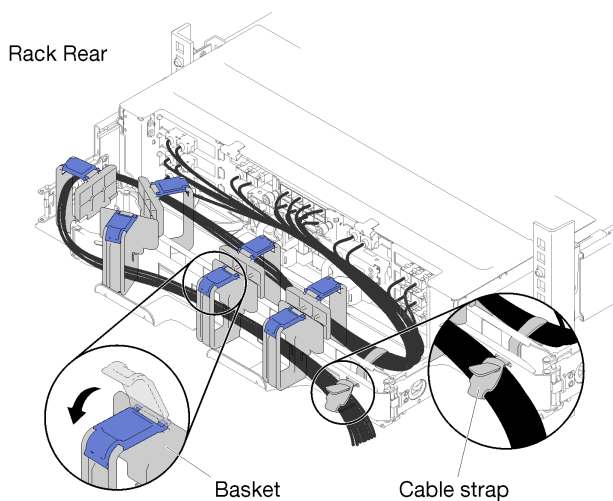


Figure 3. Cable routing

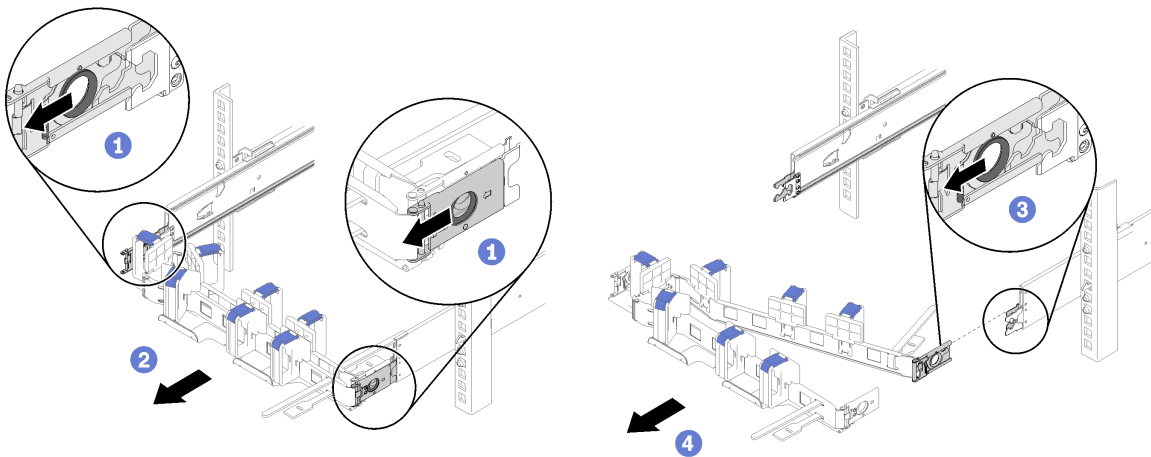
- Step 1. Open the blue retaining clips on the seven cable baskets.

- Step 2. Attach the power cords and other cables to the rear of the enclosure.
- Step 3. Route the cables and power cords in the cable management arm.
- Step 4. Use the two cable straps to tightly secure the cables to the front and rear of the cable management arm.
- Step 5. Close the blue retaining clips on the seven cable baskets.
- Step 6. Carefully slide the enclosure back and forward to ensure the cables do not pinch, bind, or hang down into the U space directly below the enclosure.

Remove the cable management arm

Use this information to remove the cable management arm.

To remove the cable management arm, complete the following steps.



Rack Rear

Figure 4. Cable management arm removal

- Step 1. Disconnect all the cables from the cable management arm.
- Step 2. Pull the two outer mounting clip release latches backward to disengage the cable management arm.
- Step 3. Pull the inner mounting clip release latch backward to disengage the cable management arm.
- Step 4. Remove the cable management arm out of the slide rails.

Change the cable management arm for installation on the other side of the rack

To install the cable management arm on the opposite side, complete the following steps:

- Step 1. Press the release latch.
- Step 2. Pull the mounting clip up to remove the cable management arm out of the shelf.
- Step 3. Press the release latch of the other mounting clip.
- Step 4. Pull the mounting clip up to remove it.

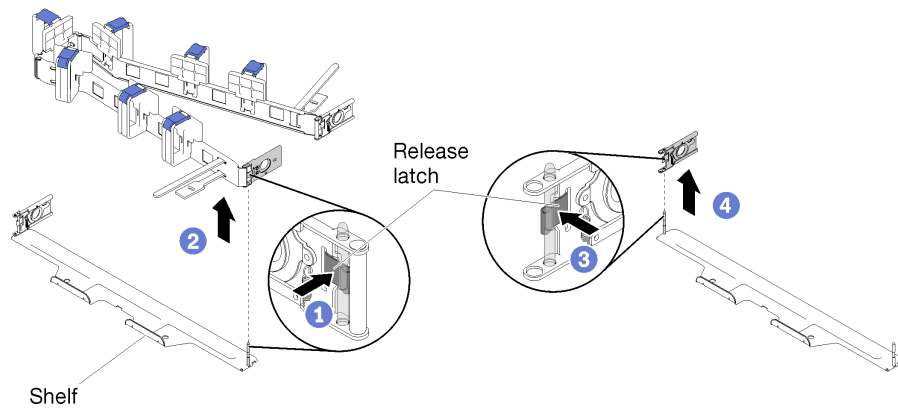


Figure 5. Mounting clip removal

- Step 5. Align the mounting clip hole with the hinge pin; then, push the mounting clip to insert it.
- Step 6. Turn and orient the cable management arm as illustrated.
- Step 7. Align the other mounting clip hole with the hinge pin and push it to insert the cable management arm to the shelf.

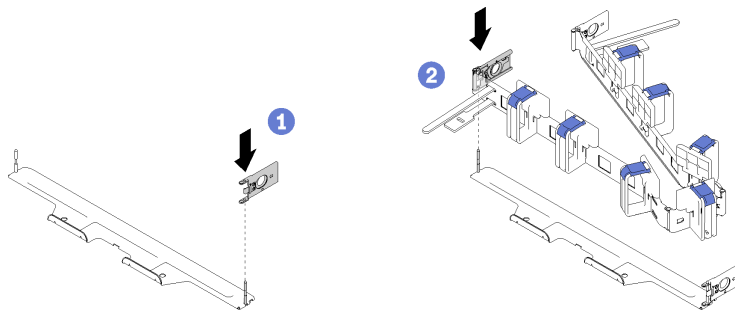


Figure 6. Mounting clip installation

First Edition (June 2017)

© Copyright Lenovo , 2017.

LIMITED AND RESTRICTED RIGHTS NOTICE: If data or software is delivered pursuant to a General Services Administration "GSA" contract, use, reproduction, or disclosure is subject to restrictions set forth in Contract No. GS-35F-05925.

Product and service names appearing herein are trademarks or service marks of their respective owners.

Printed in China

(1P) P/N: SP47A24242

