

Rack Installation Guide

Rack kit parts inventory

The enclosure comes with all of the hardware that is necessary for you to install the enclosure in the rack cabinet. The following illustrations display the items that you need to install the enclosure in the rack cabinet. If any items are missing or damaged, contact your place of purchase.

The slide box kit includes the following parts. This kit comes with the enclosure.

- One right slide
- One left slide
- Two M5 screws
- Two washers
- This document

Slide box contents

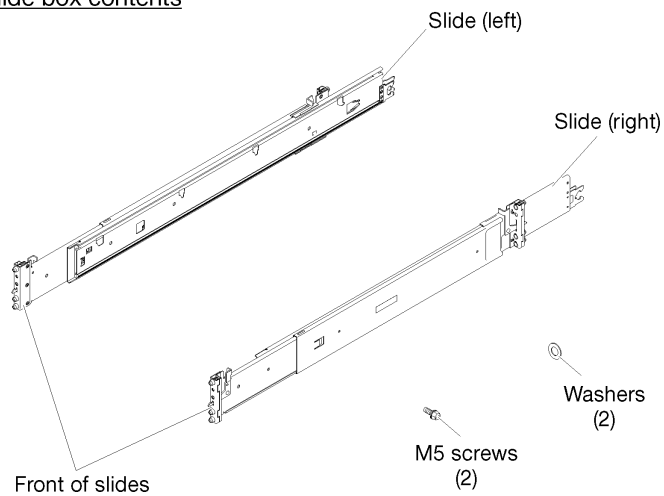


Figure 1. Slide box contents

Lenovo maintains pages on the World Wide Web where you can get the latest technical information and download device drivers and updates. To access these pages, go to <http://www.lenovo.com/support> and follow the instructions.

Rack installation

Use this information to install the enclosure securely in a rack cabinet.

Install slide rails into the rack

Use this information to install slide rails into the rack.

Note: The slide rails are extensible as shown in the following illustration.

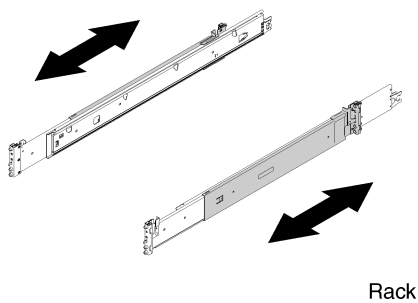


Figure 2. Slides

To install slide rails into the rack, complete the following steps.

- 1 Select the first slide rail you want to install.
- 2 Make sure the slide rail is shortened to the shortest position.

- 3 From the front of the rack cabinet, line up the pins on the rear of the slide rail with the flange holes at the rear of the rack.
- 4 Push the slide rail so that the pins and the latch go into the place.
Note: The holes on the rack will either be square-shaped or round-shaped.

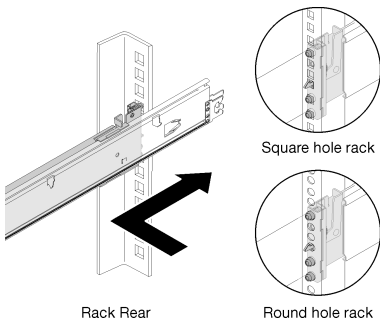


Figure 3. Left slide rear installation

- 5 Pull the slide forward and insert the pins and the latch into the EIA flange holes at the front of the rack.
Note: The holes on the rack will either be square-shaped or round-shaped.

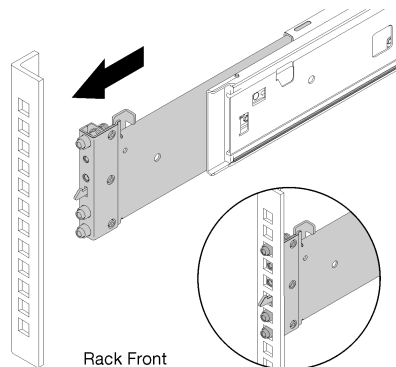


Figure 4. Left slide front installation

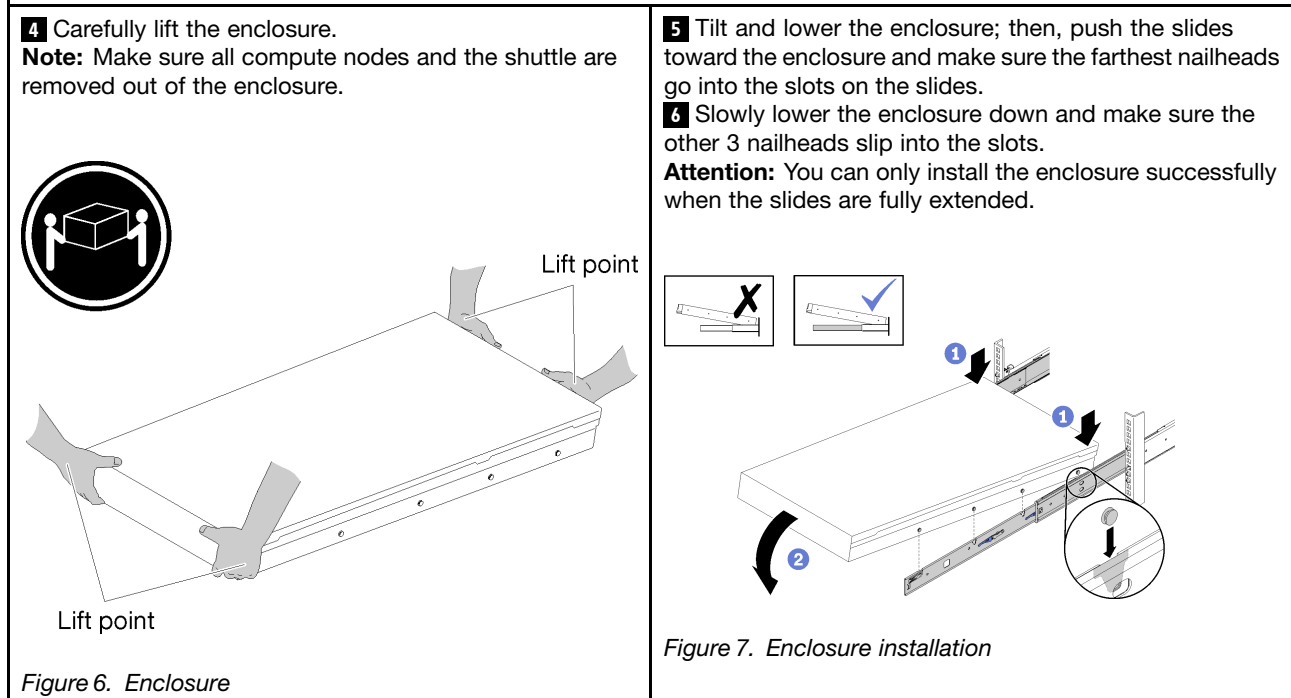
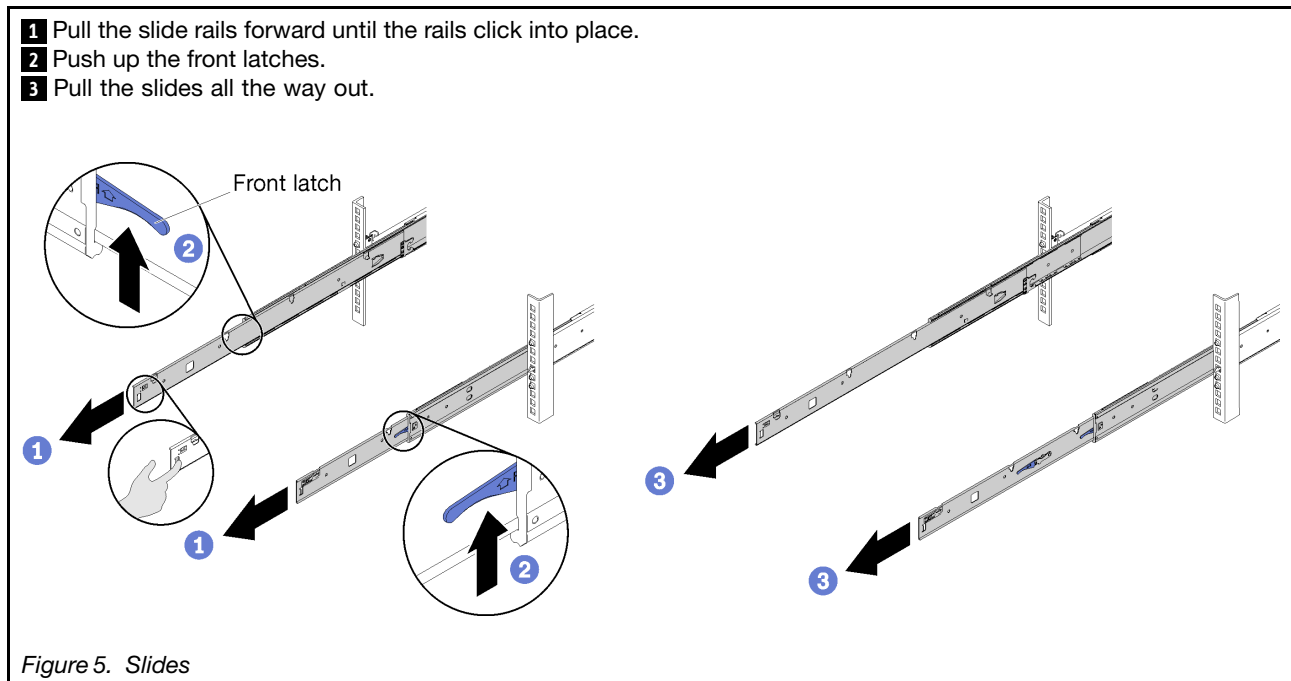
- 6 Repeat steps 2 to 5 to install the other slide rail. Make sure that each slide rail is securely engaged in the flange by inspecting that the hook has caught and by sliding back and forward to ensure the slide does not pop out.

Install the enclosure on the slide rails

Use this information to install the enclosure on the slide rails.

Attention: Before you install the enclosure, make sure that all compute nodes and the shuttle are removed out of the enclosure.

To install the enclosure on the rails, complete the following steps.



Slide the enclosure into the rack

Use this information to slide the enclosure into the rack.

To slide the enclosure into the rack, complete the following steps.

- 1** Push up the rear latches on the slide rails.
- 2** Push the enclosure until the slide rails click into place
- 3** Push up the front latches on the slide rails.
- 4** Push the enclosure all the way into the rack.

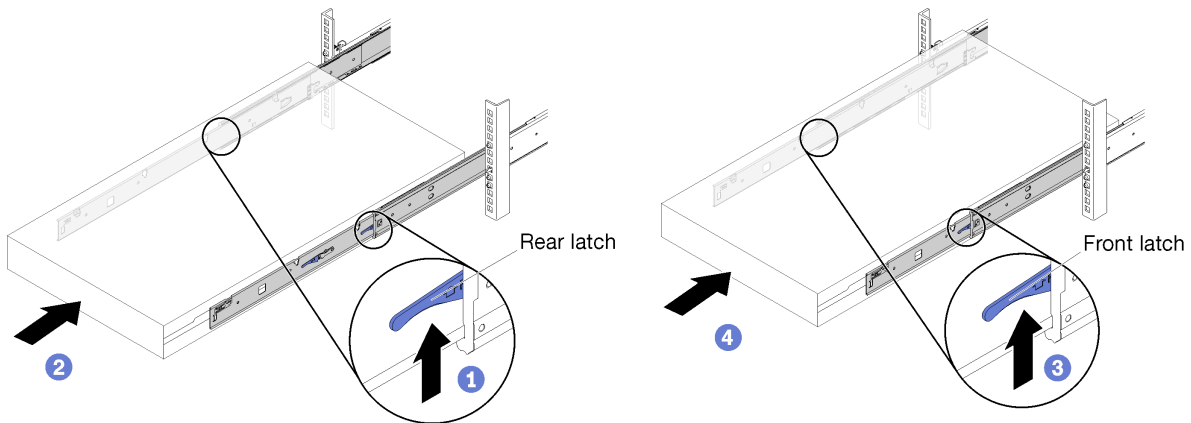


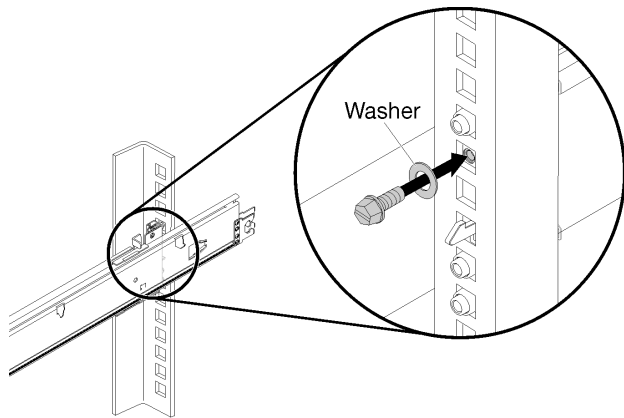
Figure 8. Enclosure installation

Secure the enclosure in the rack for shipping

Use this information to secure the enclosure in the rack for shipping.

To secure the enclosure in the rack for shipping, complete the following steps.

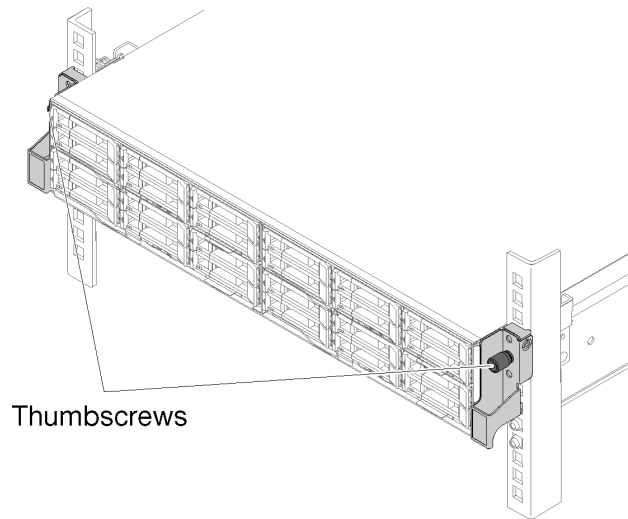
- 1** Insert the two M5 screws and washers; then, fasten the two M5 screws to secure the slides to the rack flanges.



Rack Rear

Figure 9. Screws installation

- 2** Fasten the two thumbscrews located on the front of the enclosure.



Thumbscrews

Rack Front

Figure 10. Thumbscrews

- 3** Install the compute nodes and the shuttle back to the enclosure. For detailed information, please see *Setup Guide* or *Maintenance Manual*.

Rack removal

Use this information to remove the enclosure from the rack.

Remove the enclosure from the rack

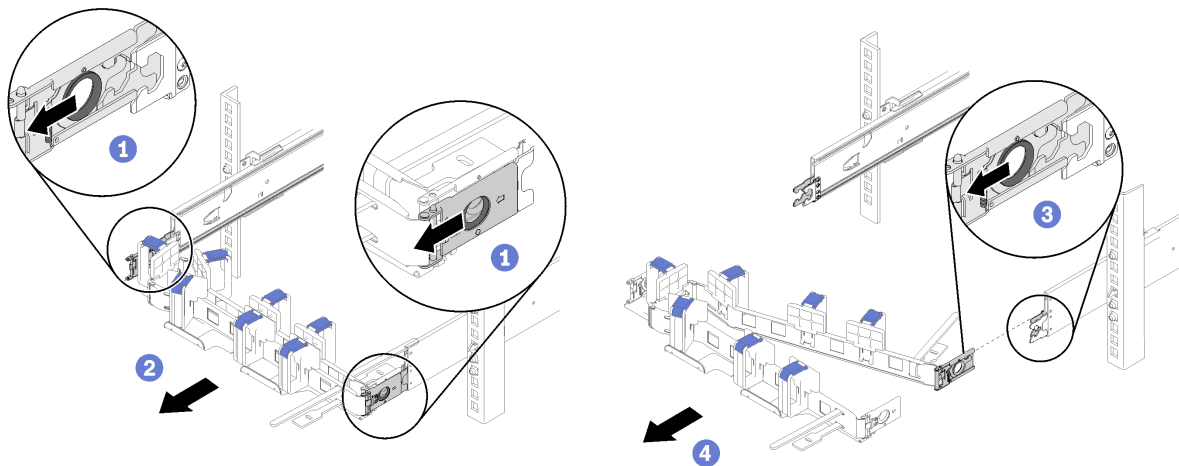
Use this information to remove the enclosure from the rack.

Attention: Before you remove the enclosure, make sure that all compute nodes and the shuttle are removed out of the enclosure.

To remove the enclosure from the rack, complete the following steps.

1 Disconnect the cables from the rear of the enclosure.

2 If you have installed the cable management arm, pull the inner mounting clip release latch backward to disengage the cable management arm.



Rack Rear

Figure 11. Inner mounting clip

3 Loosen the two thumbscrews located on the front of the enclosure.

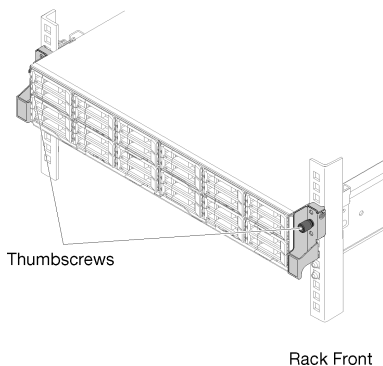


Figure 12. Thumbscrews

- 4 Pull the enclosure forward until the slide rails click into place.
 - 5 Push up the front latches on the slide rails.
 - 6 Slide the enclosure all the way out.
- Note:** Make sure all compute nodes and the shuttle are removed out of the enclosure.

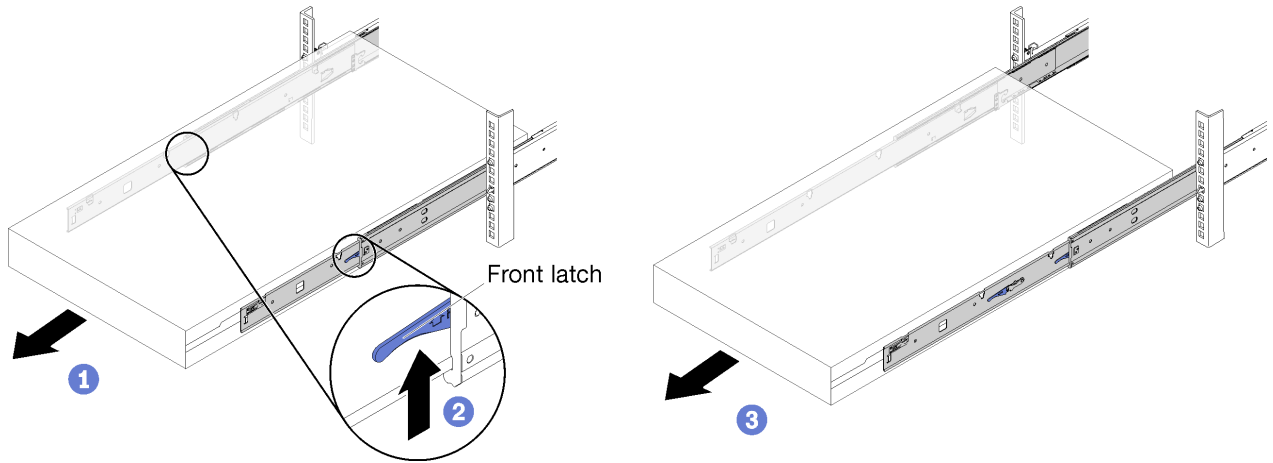


Figure 13. Enclosure removal

- 7 Press the release latches inward.
- 8 Lift the front of the enclosure up slightly to clear the nailheads from the slots.

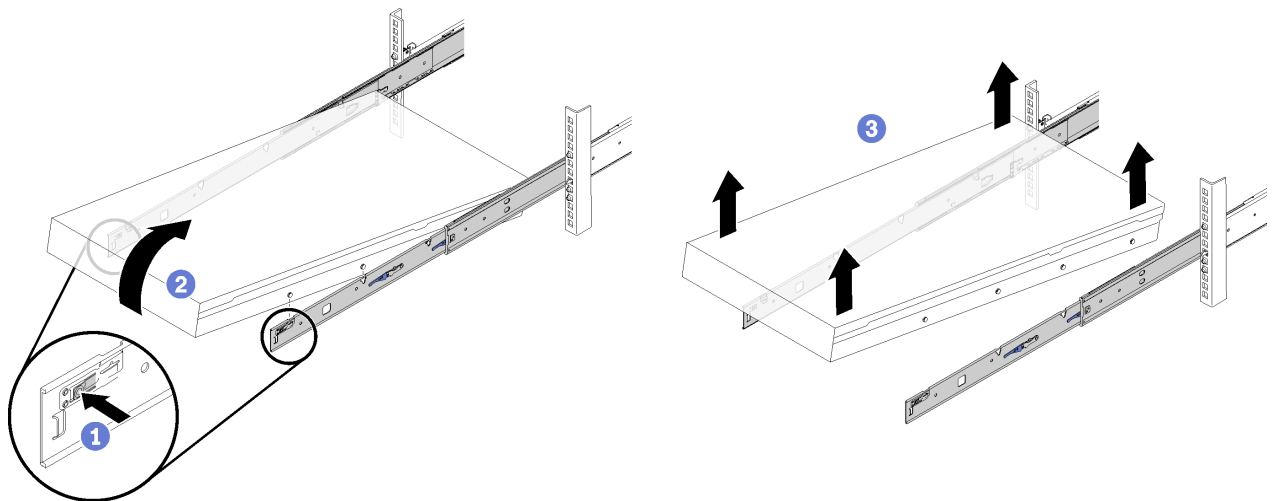


Figure 14. Enclosure removal

9 Lift the enclosure out of the rack and place the enclosure on a sturdy surface.

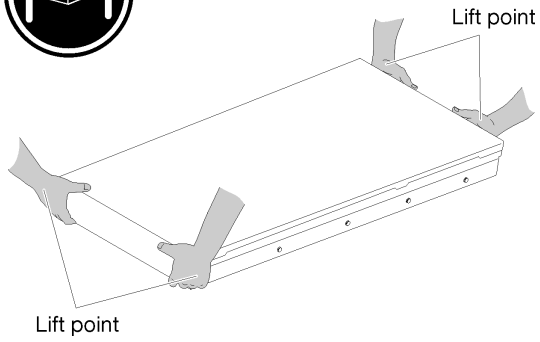
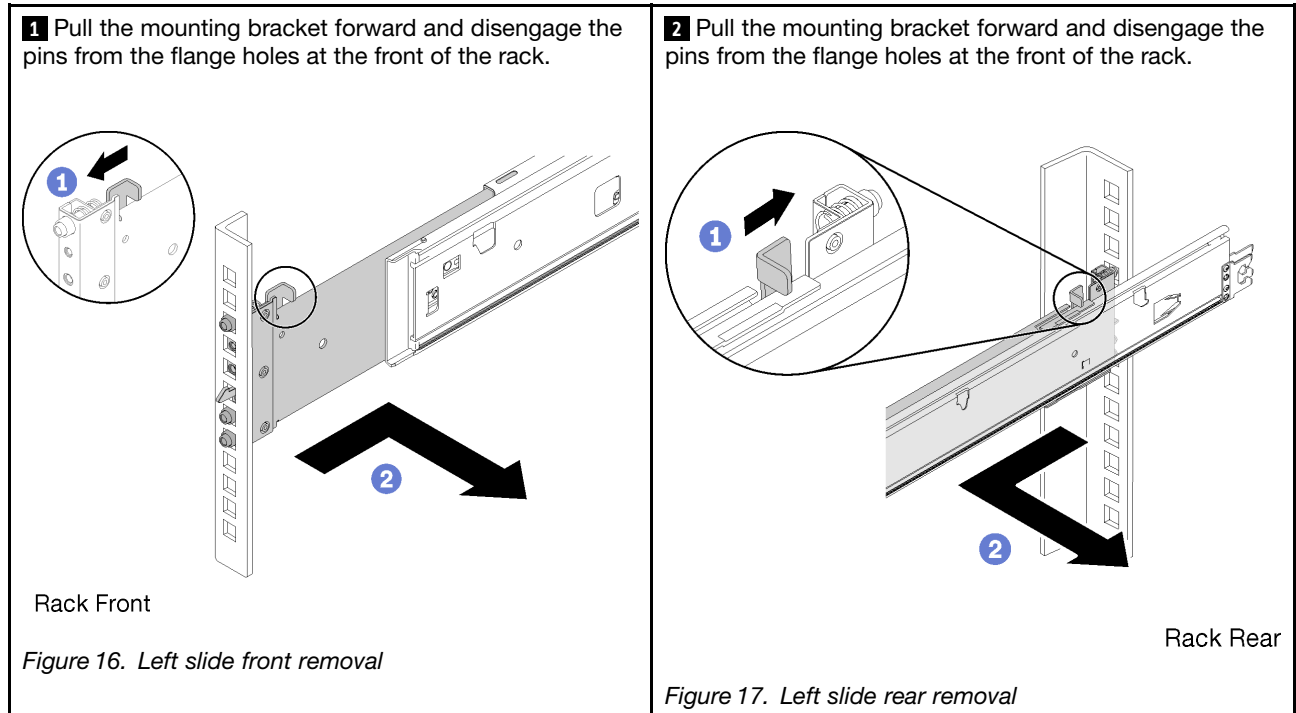


Figure 15. Enclosure

Remove the slide rails from the rack

Use this information to remove the slide rails from the rack.

To remove the slide rails from the rack, complete the following steps.



First Edition (June 2017)

© Copyright Lenovo , 2017.

LIMITED AND RESTRICTED RIGHTS NOTICE: If data or software is delivered pursuant to a General Services Administration "GSA" contract, use, reproduction, or disclosure is subject to restrictions set forth in Contract No. GS-35F-05925.

Product and service names appearing herein are trademarks or service marks of their respective owners.

Printed in China

(1P) P/N: SP47A24249

