

ThinkSystem

Rail Installation Guide

Read these guidelines first

Review the documentation that comes with the rack cabinet for safety information, cabling information, and the following guidelines:

- See the server/solution *Setup Guide* for the maximum room air temperature.
- Go to the following links to see server/solution documentations.

- ThinkSystem Documentation Center:
<https://thinksystem.lenovofiles.com/help/index.jsp>

- NextScale Documentation Center:
<https://nextscale.lenovofiles.com/help/index.jsp>

- Do not block any air vents; usually, 15 cm (6 in.) of air space in the rear and 5 cm (2 in.) in the front provides proper airflow.
- Do not leave any unused space within a rack open. Fillers must be used to prevent recirculation of warm air.
- Install your server/solution only in a rack that has perforated front and rear doors or in a rack that is equipped with a rear door heat exchanger.
- Plan the device installation starting from the bottom of the rack cabinet.
- Install the heaviest device in the bottom of the rack cabinet.
- Do not extend more than one device out of the rack cabinet at the same time.
- Make sure that there is sufficient room in front of the front EIA flange to provide minimum bezel clearance of 50 mm (1.97 inches).
- Make sure that there is sufficient room behind the rear of the rear EIA flanges to provide for cable management and routing.
- Install the server in a rack that meets the following requirements:
 - Minimum depth of 70 mm (2.76 in.) between the front mounting flange and inside of the front door.
 - Minimum depth of 150 mm (5.9 in.) between the rear mounting flange and inside of the rear door.
 - Minimum depth of 711.2 mm (28 in.) and maximum depth of 914.4 mm (36 in.) between the front and rear mounting flanges.
- Always install servers/solutions and optional devices starting from the bottom of the rack cabinet.
- Always install the heaviest devices in the bottom of the rack cabinet.
- Always use lift tool to move servers/solutions.



CAUTION:

Use safe practices when lifting.



18-32 kg
39-70 lb



32-55 kg
70-121 lb



55-100 kg
121-200 lb



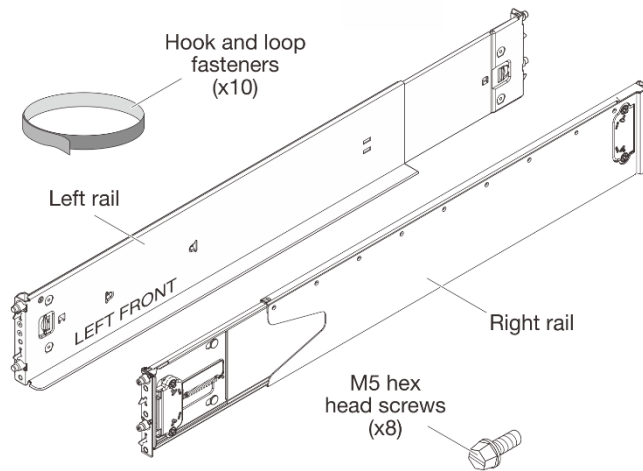
CAUTION:

Do not place any object on top of rack-mounted devices.



Rail kit box contents

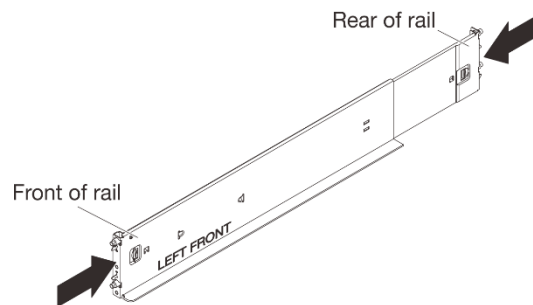
The rail kit package contains the following items:



- Contact your retailer if you find any parts missing.
- This kit can be installed in square rack flanges or round rack flanges.

Install the rail kit in the rack

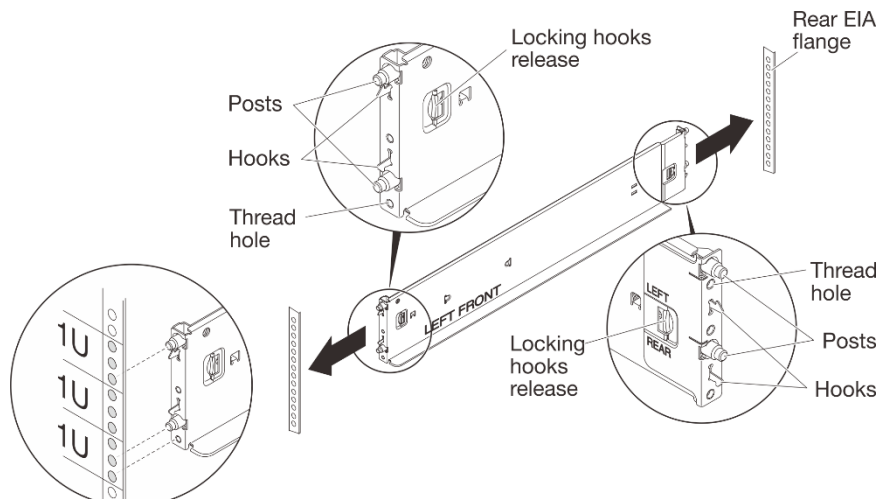
1. Collapse both rails.



2. Install the rails in the rack

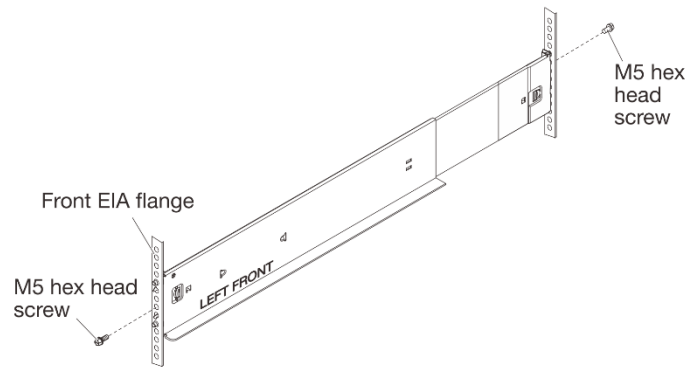
- ❶ Align bottom edge of the rail with the bottom U where you want the server to rest and align rail posts with holes in the EIA flange.
- ❷ Insert the rear rail posts through the holes in the rear EIA flange and engage the locking hooks.
- ❸ Insert the front rail posts through the holes in the front EIA flange and engage the locking hooks.

Note: If a rail is incorrectly aligned, press the locking hooks release on the rail to disengage the hooks; then, remove and reposition the rail.



3. Secure the rails to the rack.

Note: Install all M5 hex head rail screws loosely, then tighten each screw with a torque screwdriver sets to 20kgf-cm/17lbf-in.



After you finish:

See the server/solution documentation for instructions to install the server/solution in the rack.

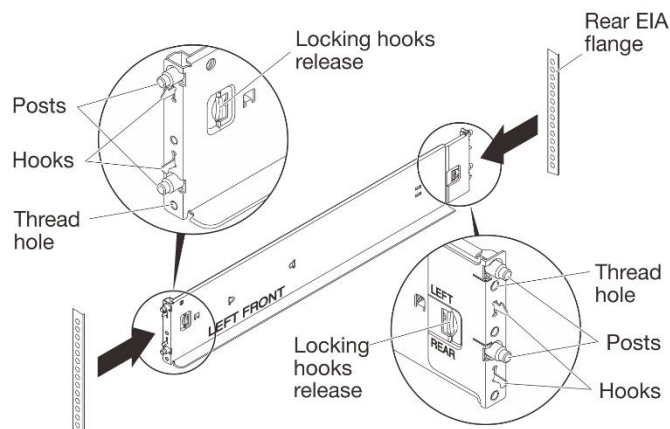
Remove the rail kit from the rack

1. Prepare the server/solution for removal.

- ❶ Turn the server/solution off.
- ❷ Disconnect the external cables and release the cables from the cable tie if needed.
- ❸ Remove the server/solution from the rack. (see the server/solution documentation for instructions).

2. Remove the rails from the rack

- ❶ Remove the screws from the rails (two screws per rail, one in the front and one in the rear).
- ❷ Remove the rails from the rack by pressing the locking hooks release on the rail to disengage the hooks and sliding the posts out of the holes on the EIA flange.



First Edition (March 2021)

© Copyright Lenovo, 2021.

LIMITED AND RESTRICTED RIGHTS NOTICE: If data or software is delivered pursuant to a General Services Administration (GSA) contract, use, reproduction, or disclosure is subject to restrictions set forth in Contract No. GS-35F-05925.

Product and service names appearing herein are trademarks or service marks of their respective owners.