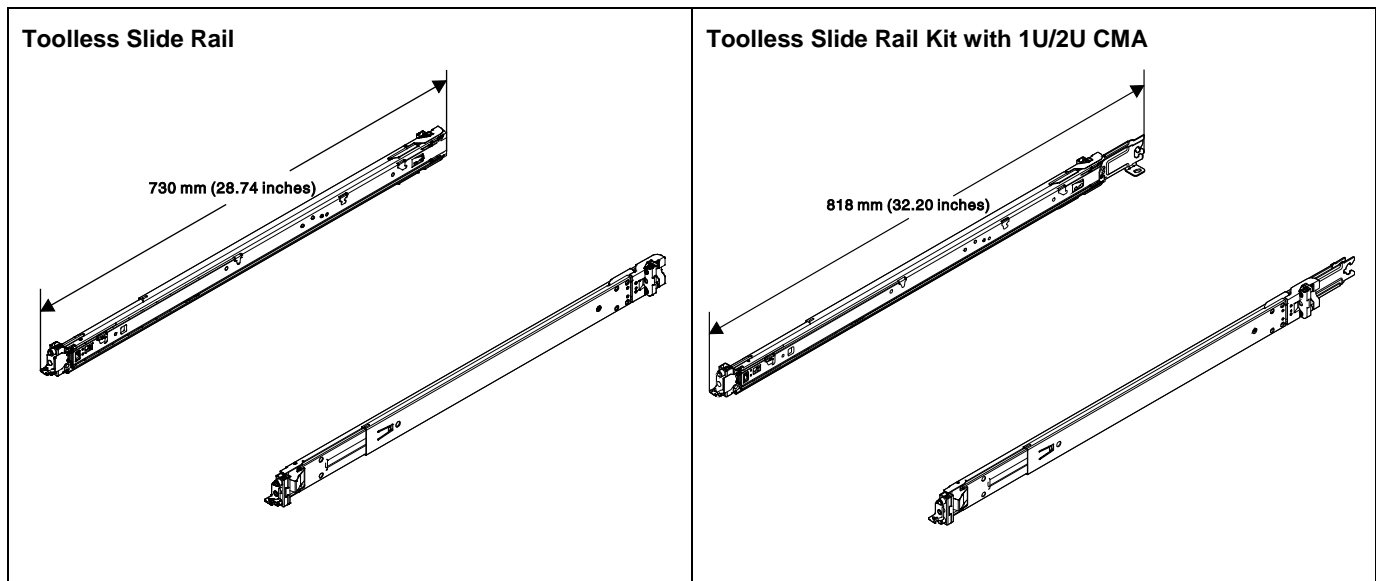


# Rack Installation Guide

This document provides important information about the Toolless Slide Rail and the Toolless Slide Rail Kit with 1U/2U CMA. Each slide rail kit package contains the following items:

- One left rail
- One right rail
- Two M6 screws



You might have either the Toolless Slide Rail or the Toolless Slide Rail Kit with 1U/2U CMA.

- If you have purchased the Toolless Slide Rail, you can purchase the 1U/2U CMA Upgrade Kit for Toolless Slide Rail to help you manage your cables.
- If you have purchased the Toolless Slide Rail Kit with 1U/2U CMA, a CMA kit is delivered with the rail kit. To install the CMA, refer to the installation guide provided with the CMA.

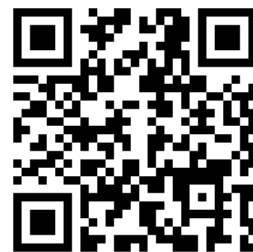
You can also remove the CMA mounting brackets to reduce the length of the rails so that the rails can adapt to shallow racks or racks with rear vertical power distribution units (PDUs). To remove the brackets, see Removing the CMA mounting brackets on page 7.

A quick response (QR) code for a video of the installation process is provided to help you install the rail kit. You can scan one of the following QR codes to access to the installation video.

Youtube:



Youku:



# Read these guidelines first

Review the documentation that comes with the rack for safety and cabling information. Before you install the server into a rack, review the following guidelines:

- Install the server in a rack that meets the following requirements:
  - Minimum depth of 70 mm (2.76 inches) between the front mounting flange and inside of the front door.
  - Minimum depth of 214 mm (8.43 inches) between the chassis rear wall and inside of the rear door.
  - The maximum distance between the front mounting flange and the rear mounting flange is 864 mm (34.00 inches).
  - If you want to install the rails and a 0U PDU into the same rack, the rack must meet the following height and depth requirements:
    - 42U or higher
    - At least 1000-mm (39.37-inch) deep if no CMA is to be installed
    - At least 1200-mm (47.24-inch) deep if a CMA is to be installed
- Install the server only into a rack that has perforated doors. Remove the rack doors and side panels for easier access during installation.
- Plan the device installation starting from the bottom of the rack. Install the heaviest device in the bottom of the rack.
- See the server *Maintenance Manual* or *Setup Guide* for the requirements on room air temperature.
- Do not block any air vents, usually 15 cm (6 inches) of air space provides proper airflow.
- Do not leave open space above or below an installed server in your rack. To help prevent damage to server components, always install a filler panel to cover the open space and to help ensure proper air circulation.
- Do not extend more than one device out of the rack at the same time.
- Do not overload the power outlet when multiple devices are in the rack.



**CAUTION:**

**Use safe practices when lifting.**



≥ 18 kg (39.7 lb)  
 < 32 kg (70.5 lb)



≥ 32 kg (70.5 lb)  
 < 55 kg (121.2 lb)



≥ 55 kg (121.2 lb)  
 < 100 kg (220.5 lb)



**CAUTION: Do not place any object on top of rack-mounted devices.**



# Installing the slide rail kit

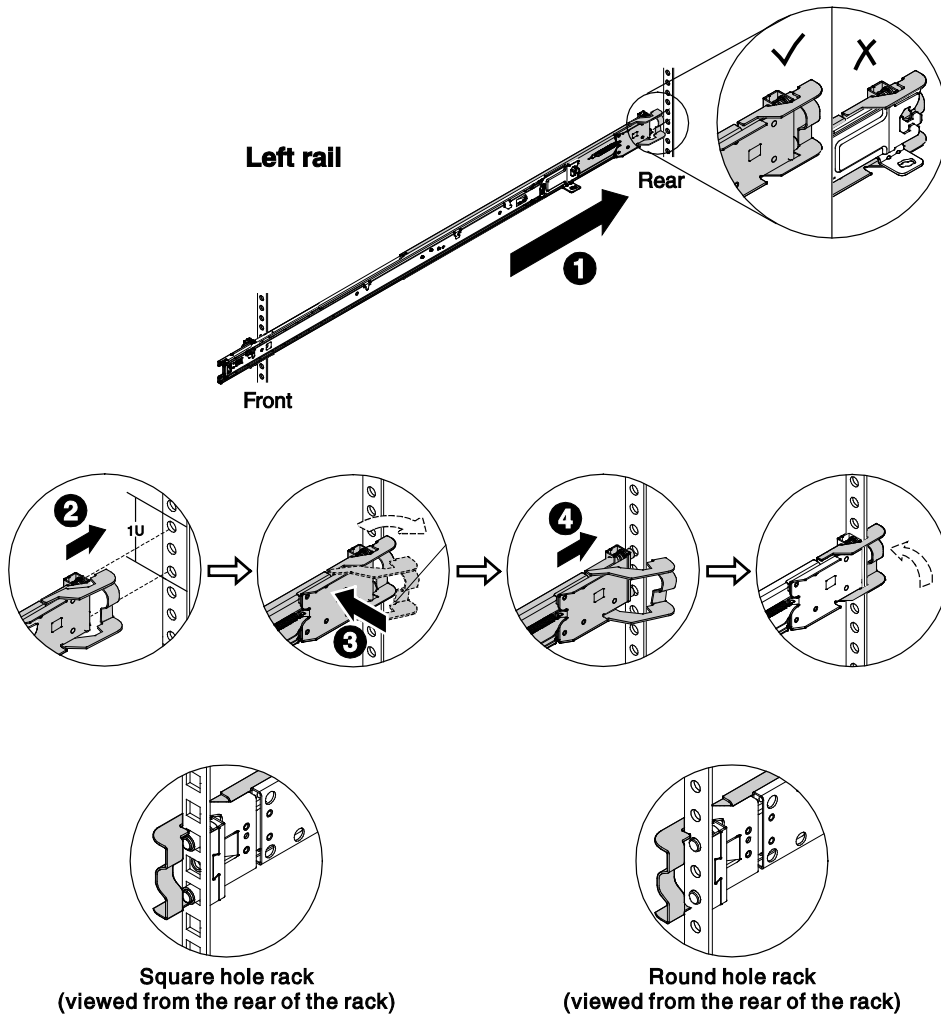
This topic provides instructions on how to install a server into a rack using the Toolless Slide Rail Kit with 1U/2U CMA. The installation procedure also applies to the Toolless Slide Rail.

1. Install the rear mounting bracket of the left rail from the front of the rack.

**Attention:** You must install the rear mounting brackets of the rails before installing the front mounting brackets.

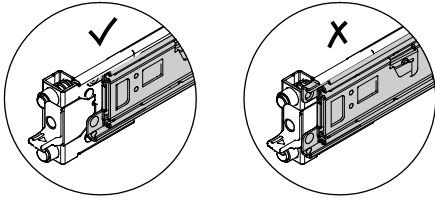
There are two rails, left rail (marked with L) and right rail (marked with R). You can install the rails into racks with square holes or round holes. Follow the steps to install each rail onto the flanges.

- 1 Fully slide the outer rail toward the rear of the rack.
- 2 Line up the pins on the rear of the rail with the corresponding holes in the rear mounting flange of the rack.
- 3 Attach the rear mounting bracket to the frame by pushing the rail toward the outside of the rack as shown until the rear latch opens.
- 4 Push the rail backward until the pins are inserted into the corresponding holes and the rear latch rotates back to the closed position.

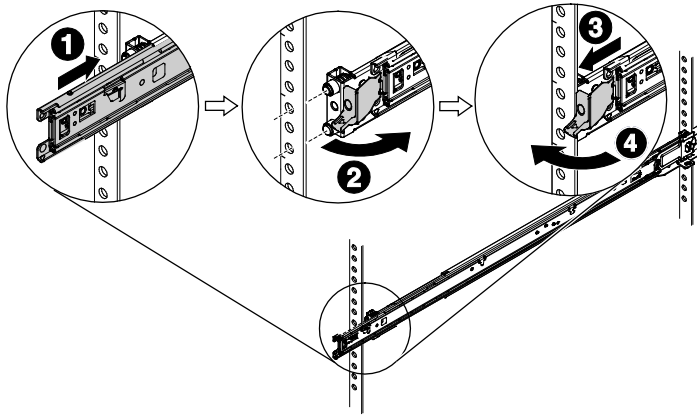


**2.** Install the front mounting bracket of the left rail.

- ❶ Slide the inner rails all the way back so that the front latch can be opened.

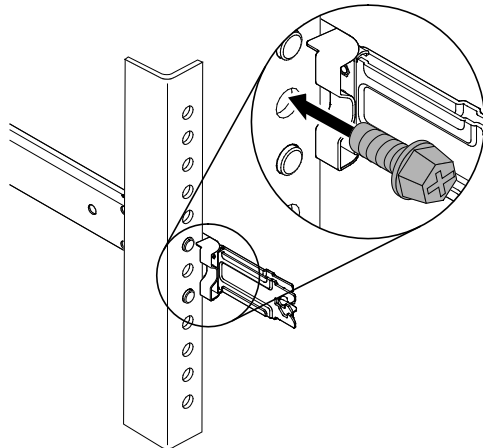


- ❷ Rotate the front latch and line up the pins on the front of the rail with the corresponding holes in the front mounting flange of the rack.
- ❸ Pull the entire rail forward until the pins protrude through the holes.
- ❹ Release the front latch to lock the rail into position.



**3.** Repeat steps 1 and 2 to install the right rail to the opposite side of the rack.

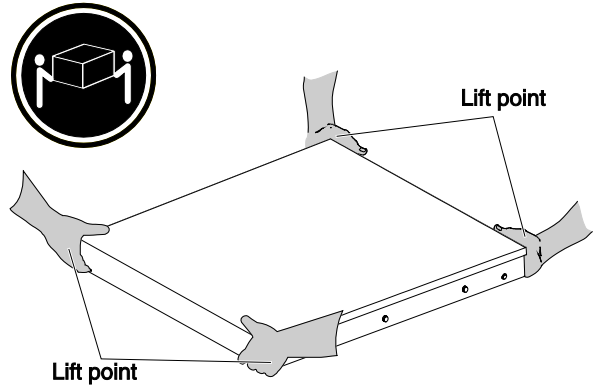
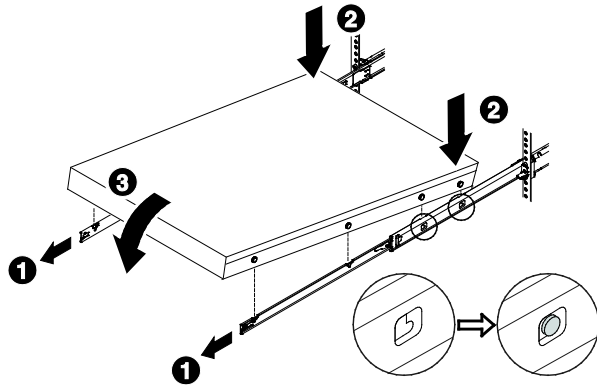
- ❷ If you want to ship the rack with the server installed or place the rack in a vibration-prone area, install the M6 screws into the rear of the rails.



**5.** Install the server onto the inner rails.

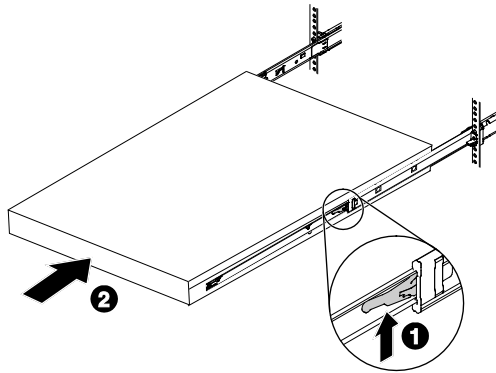
- 1** Pull the rails forward until the inner rails click two times into place.
- 2** Carefully lift the server and tilt it into position over the rails so that the mounting studs on the server line up with the mounting holes in the inner rails.
- 3** Slowly lower the server down until the rear mounting studs slide into the rear mounting holes, and then the front mounting studs go into the corresponding mounting holes in the rails. Ensure that the mounting studs are locked into position so the server is firmly secured.

**Caution:** Ensure that two people are lifting the server together. Their hands must be positioned as illustrated.

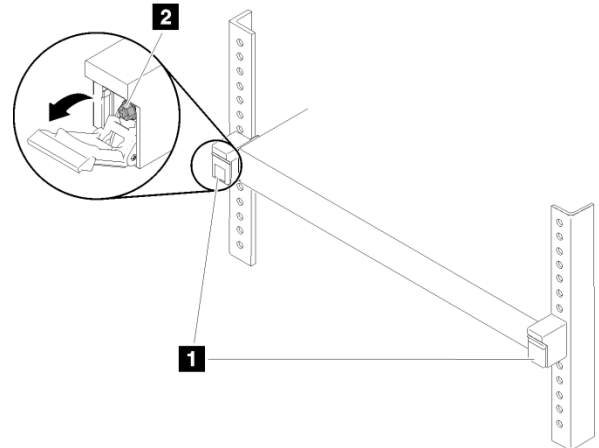


**6.** Slide the server into the rack.

- 1** Lift the locking levers on both sides of the rails.
- 2** Push the server all the way into the rack until it clicks into place.

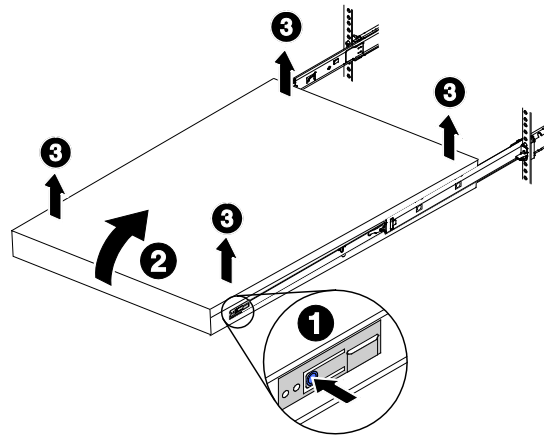


**7.** Secure the server before you move the rack, or if you place the rack in a vibration-prone area. Open the latches **1** in the front of the server, and then tighten the screws **2**.



To remove the server from the rails, do the following:

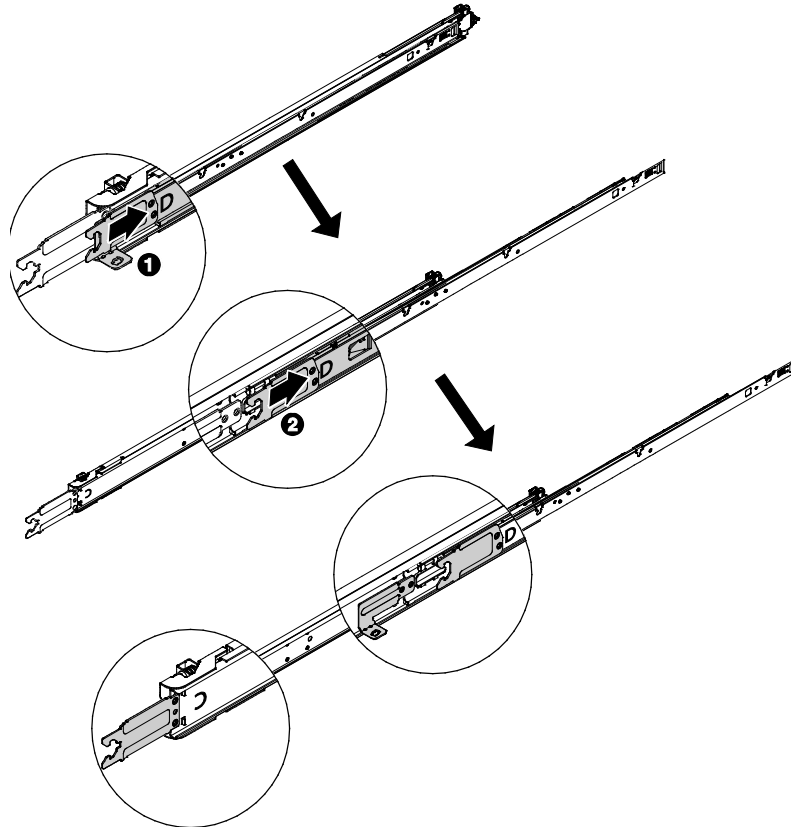
- 1 Press the blue touch points at the front of both the inner rails.
- 2 Carefully rotate the server upward.
- 3 Lift the server out of the rails.



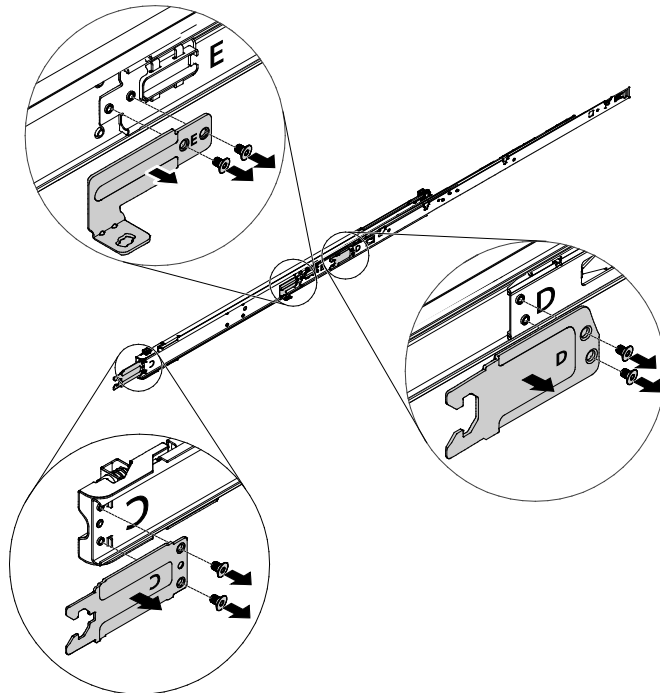
## Removing the CMA mounting brackets

To remove the CMA mounting brackets from the Toolless Slide Rail Kit with 1U/2U CMA, perform the following steps before you install the rails onto the rack.

1. Fully extend the rails as shown in the following illustration.



2. Remove the CMA mounting brackets from the rails using a T8 Torx screwdriver.



---

**First Edition (August 2019)**

LIMITED AND RESTRICTED RIGHTS NOTICE: If data or software is delivered pursuant to a General Services Administration "GSA" contract, use, reproduction, or disclosure is subject to restrictions set forth in Contract No. GS-35F-05925.

Product and service names appearing herein are trademarks or service marks of their respective owners.

Printed in China  
(1P) P/N: SP47A58911

