

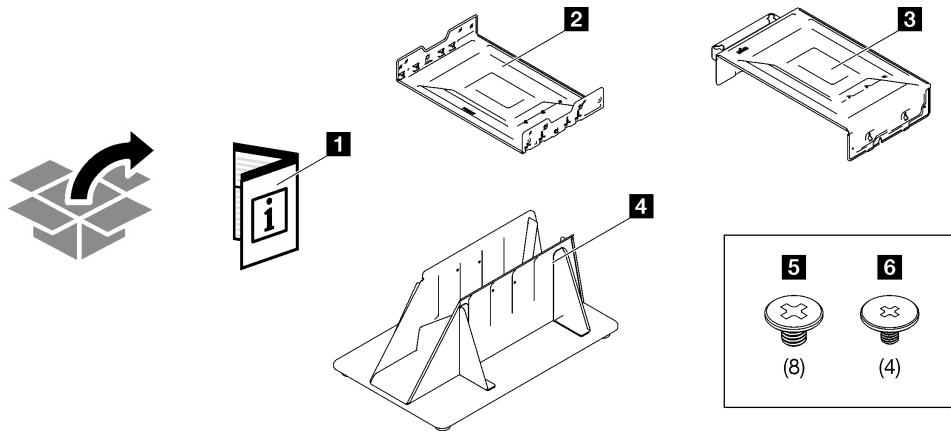
## Floor-standing Configuration Guide



### Attention:

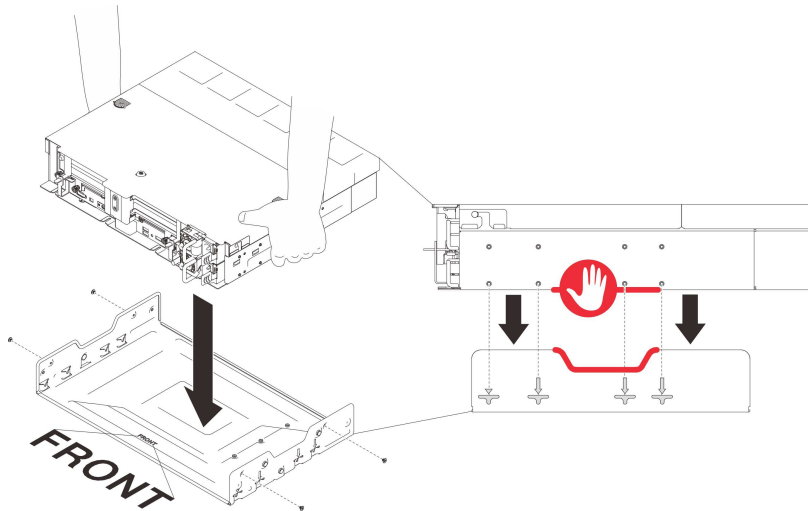
- This kit must be installed by a qualified professional appointed by Lenovo Service. Severe personal injury and property damage can result from improper installation or assembly.
- Make sure this task is operated by two people with safe practices.

This kit contains the following items:



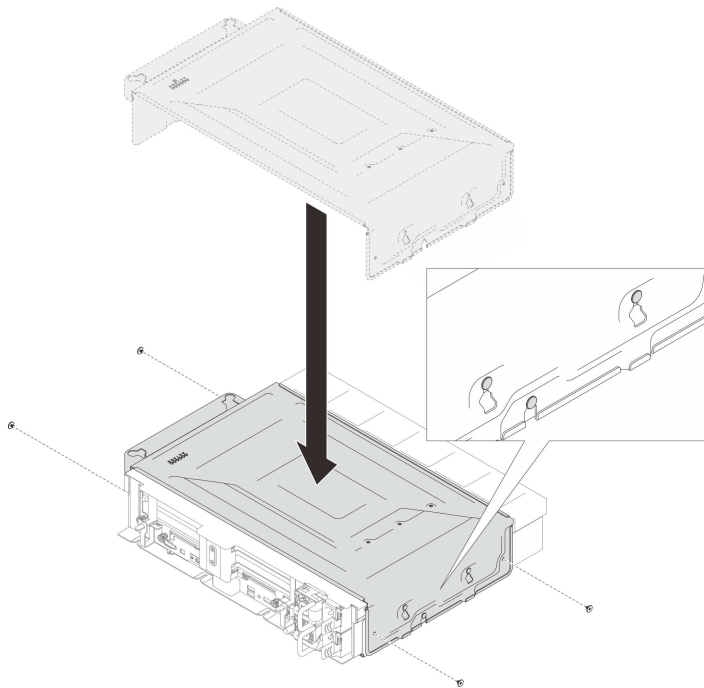
- 1 Document
- 2 Bottom cover
- 3 Top cover
- 4 Server stand
- 5 Eight large M3 screws
- 6 Four small M3 screws

Step 1. Align the four screws holes on each side of the server with the slots on the bottom cover, and lower the server. Then, secure the cover to the server with two **small** M3 screws on each side.



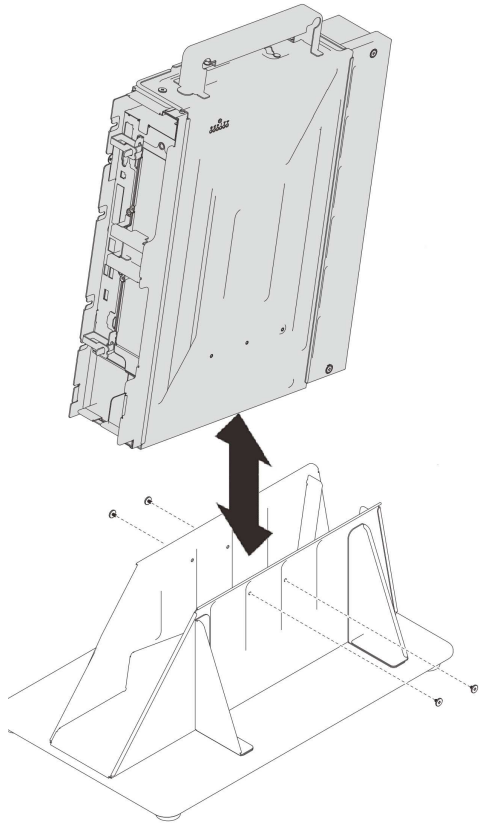
**Note:** Make sure to hold the middle part of both sides of the server to prevent injury.

Step 2. Align the three mounting pins on each side of the server with the slots on the top cover, and lower the cover over the server assembly. Then, secure each side of the cover with two **large M3** screws.



Step 3. Hold the top handle, and lower the assembly into the floor stand. Then, secure each side of the assembly to the server stand with two **large M3** screws.





---

**First Edition (April 2022)**

**© Copyright Lenovo 2022.**

**LIMITED AND RESTRICTED RIGHTS NOTICE: If data or software is delivered pursuant to a General Services Administration (GSA) contract, use, reproduction, or disclosure is subject to restrictions set forth in Contract No. GS-35F-05925.**

LIMITED AND RESTRICTED RIGHTS NOTICE: If data or software is delivered pursuant to a General Services Administration "GSA" contract, use, reproduction, or disclosure is subject to restrictions set forth in Contract No. GS-35F-05925.

Printed in China

(1P) P/N: SP47A76697

