

ThinkEdge SE450 Type 7D8T

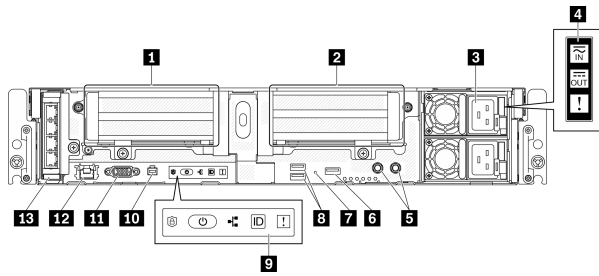
Quick Start

In the box

- SE450
- Material box

first glance

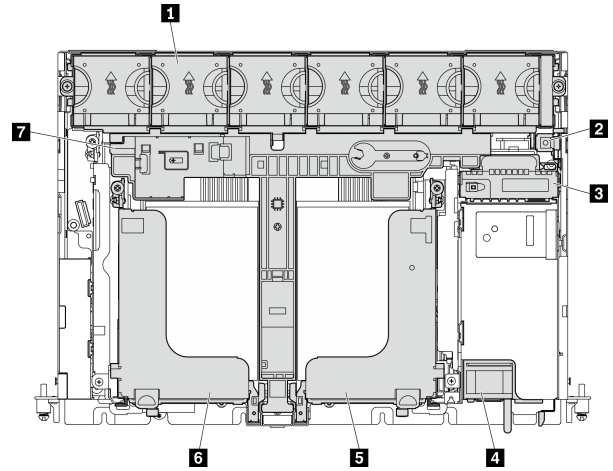
Front view



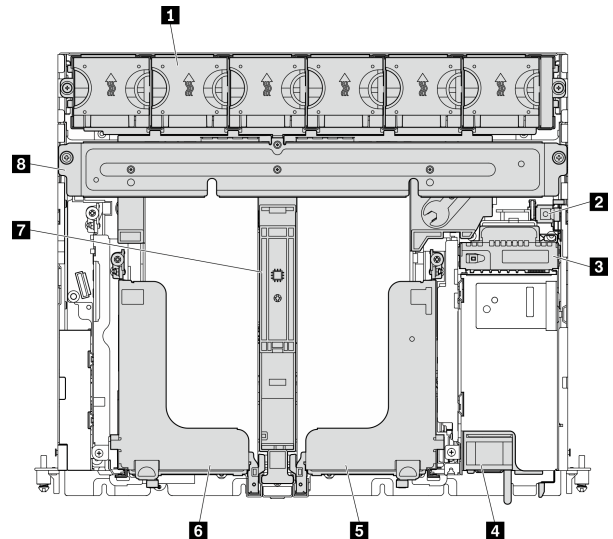
1 Riser 1 (Slot 5, 6)	8 USB 3.0 (1, 2)
2 Riser 2 (Slot 3, 4 / Drive 4, 5)	9 Front operator panel
3 Power supply unit 2, 1	10 External diagnostic handset connector
4 Power supply LEDs	11 VGA connector
5 Threaded studs for grounding	12 XClarity Controller (XCC) network connectors
6 USB 2.0 with Lenovo XClarity Controller management	13 OCP 3.0 adapter (Slot 7)
7 NMI button	

Top view

- 300mm chassis



- 360mm chassis



1 Fan 1 to 6	5 Riser 2
2 Intrusion switch	6 Riser 1
3 Power backplane	7 Air baffle
4 Power supply units 2, 1	8 Support bracket

Reduce | Reuse |
Recycle



Technical specification

Dimension and weight

- Height: 86.5 mm (3.41 inches)
- Width:
 - Without rack latches: 444.6 mm (17.50 inches)
 - With rack latches: 480.5 mm (18.92 inches)
- Depth:
 - 300mm:
 - Without bezel: 298.8 mm (11.76 inches)
 - With bezel: 407.3 mm (16.04 inches)
 - 360mm:
 - Without bezel: 358.8 mm (14.13 inches)
 - With bezel: 467.3 mm (18.40 inches)
- Maximal weight:
 - 300mm chassis: 14.84 kg (32.71 lbs)
 - 360mm chassis: 17.45 kg (38.47 lbs)

Processor

This server supports Intel Xeon Processor Scalable Family, up to one processor.

Memory

- Slots: 10 DIMM slots, two-way interleaved
- Types:
 - TruDDR4 ECC 3200 MT/s RDIMM and 3DS-RDIMM
 - Persistent Memory Module (PMEM)
- Minimal capacity: 16 GB
- Maximal capacity:
 - RDIMM: 512 GB
 - 3DS RDIMM: 1024 GB
 - PMEM + RDIMM in Memory Mode: 1280 GB

Storage (varies with models)

- Two 15mm (Drive 0, 1) or four 7mm (Drive 0, 1, 2, 3) SATA/NVMe trayless drives
- (Optional) two 2.5-inch SATA/NVMe drive bays with front access (Drive 4, 5)

Networking

One OCP 3.0 Ethernet adapter







Setting up the system

1. Install the required components.
2. Install the server into the rack. See *Rack Installation Guide*, which comes with the rail kit.
3. Connect the cables.
4. Connect the management controller to the network.
5. Power on the server.
6. Configure the system.

For detailed information about installing hardware options and configuring the system, see the following website: <https://thinksystem.lenovofiles.com/help/topic/se450/introduction.html>



Where to go for support

Link	QR code
 Lenovo Press (Product guides and white papers) https://lenovopress.lenovo.com/	
 Lenovo Datacenter Systems Forums https://forums.lenovo.com/t5/Datacenter-Systems/ctp/sv_eg	
 Lenovo Support - SE450 (including drivers and software) https://datacenter.support.lenovo.com/products/servers/thinkedge/se450/thinkedge/7d8t/	
 Lenovo Product Security Advisories https://support.lenovo.com/product_security/home	
 Lenovo Server Proven (Compatibility information) https://serverproven.lenovo.com/server/se450	

(April 2022)

© Copyright Lenovo 2022.

LIMITED AND RESTRICTED RIGHTS NOTICE: If data or software is delivered pursuant to a General Services Administration (GSA) contract, use, reproduction, or disclosure is subject to restrictions set forth in Contract No. GS-35F-05925.

LIMITED AND RESTRICTED RIGHTS NOTICE: If data or software is delivered pursuant to a General Services Administration "GSA" contract, use, reproduction, or disclosure is subject to restrictions set forth in Contract No. GS-35F-05925.