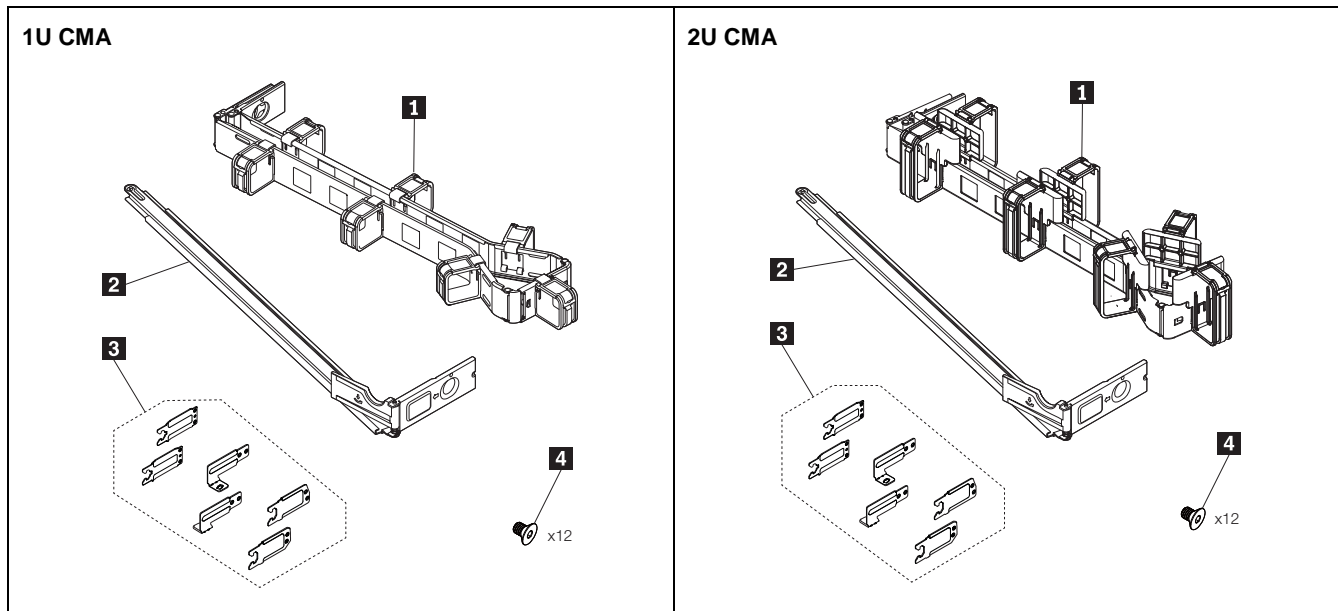


CMA Installation Guide

This document provides installation instructions for the following cable management arm (CMA) kits:

- 1U/2U CMA Upgrade Kit for Toolless Slide Rail
 - ✓ One CMA **1** (form factor: 1U or 2U)
 - ✓ One CMA support bar **2**
 - ✓ Six CMA mounting brackets **3**
 - ✓ Twelve screws **4**
 - ✓ Documentation
- CMA kit for the Toolless Slide Rail Kit with 1U/2U CMA
 - ✓ One CMA **1** (form factor: 1U or 2U)
 - ✓ One CMA support bar **2**
 - ✓ Documentation

Note: Mounting brackets **3** and screws **4** are available only in the 1U/2U CMA Upgrade Kit for Toolless Slide Rail.



A quick response (QR) code for a video of the installation process is provided to help you install the CMA kit. You can scan one of the following QR codes to access to the installation video.

Youtube:



Youku:



Installing the CMA kit

Part I: (Optional) Install the mounting brackets onto each rail.

Note: This part is required only for the 1U/2U CMA Upgrade Kit for Toolless Slide Rail. Go to **Part II** directly, if you are installing the CMA kit for the Toolless Slide Rail Kit with 1U/2U CMA.

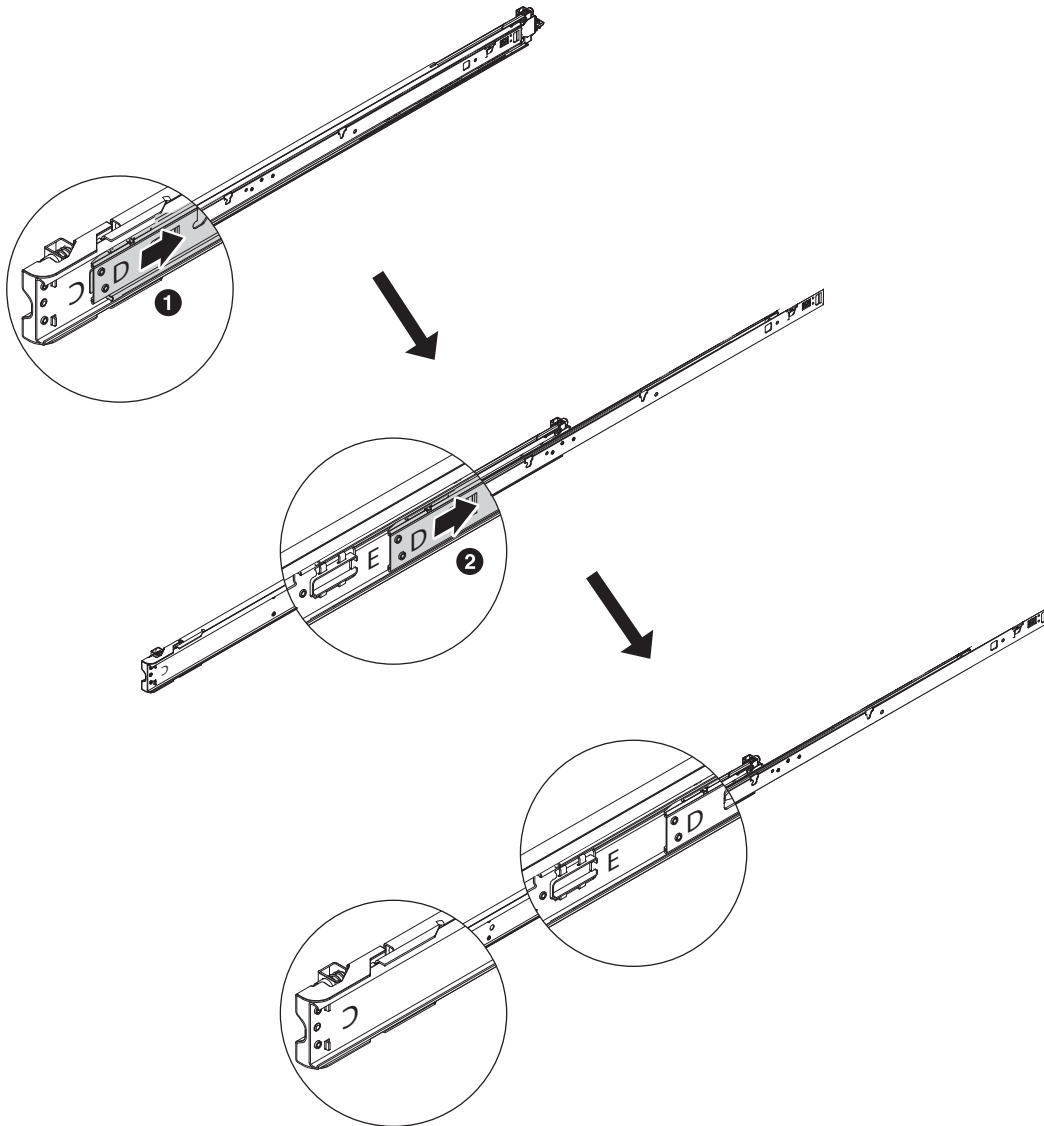
There are two rails, left rail (marked with L) and right rail (marked with R). The following steps use the right rail for illustrations. The installation procedure is similar for the left rail. Complete the following steps before you install the rails onto the rack.

1. Slide the intermediate rail and inner rail toward the front of the rail. ("FRONT" is marked on the front end of the inner rail.)
 - 1 Slide the intermediate rail with the inner rail in the direction as shown until you hear a click.
 - 2 Slide the inner rail in the same direction until you see the letter "E" marked on the rear end of the intermediate rail.

Notes:

Right rail: Letters "C", "E", and "D" are marked on the outer rail, intermediate rail, and inner rail respectively.

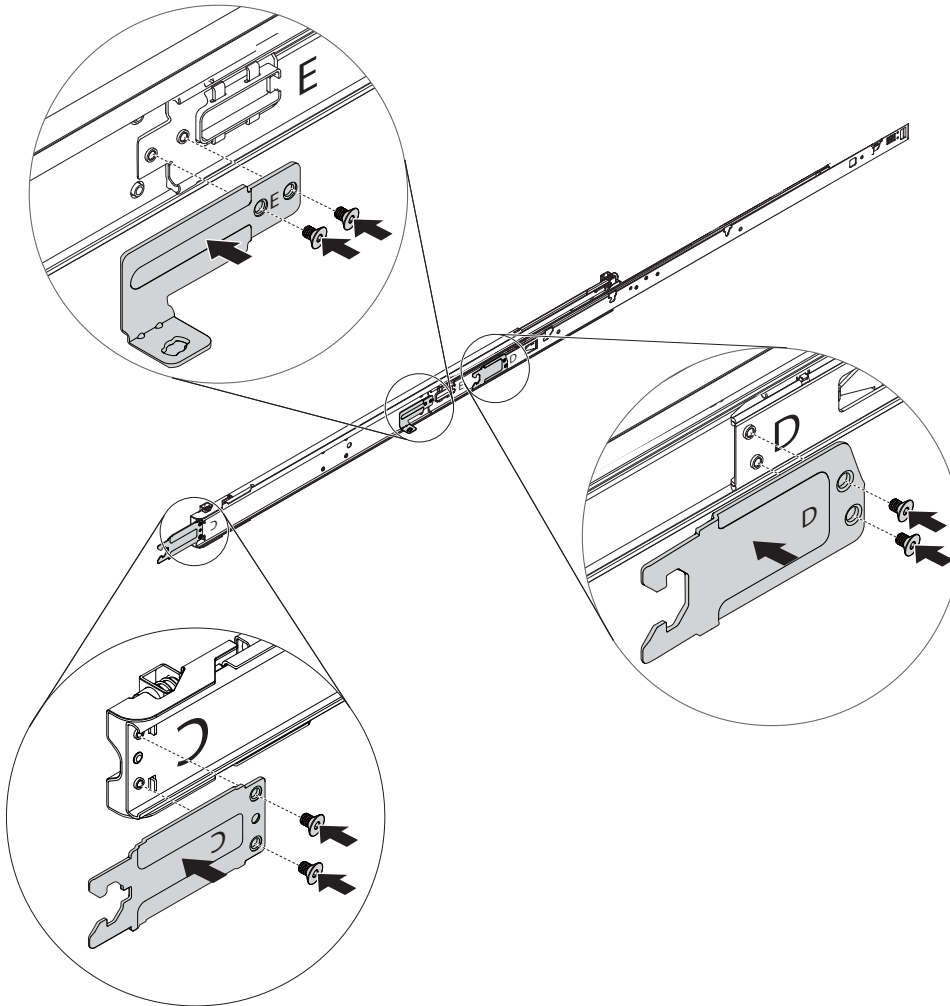
Left rail: Letters "C", "B", and "A" are marked on the outer rail, intermediate rail, and inner rail respectively.



2. Install the mounting brackets onto to the corresponding rails using a T8 Torx screwdriver.

Note: The six mounting brackets are marked with letters: "A", "B", "C", "C", "D", and "E". Install each bracket onto the rail marked with the same letter. Ensure that the brackets are oriented correctly so that the letters on the brackets match the orientation of corresponding letters on the rails.

Installation order	Mounting bracket on left rail	Mounting bracket on right rail
1	C	C
2	B	E
3	A	D



Part II: Install the CMA onto the rails.

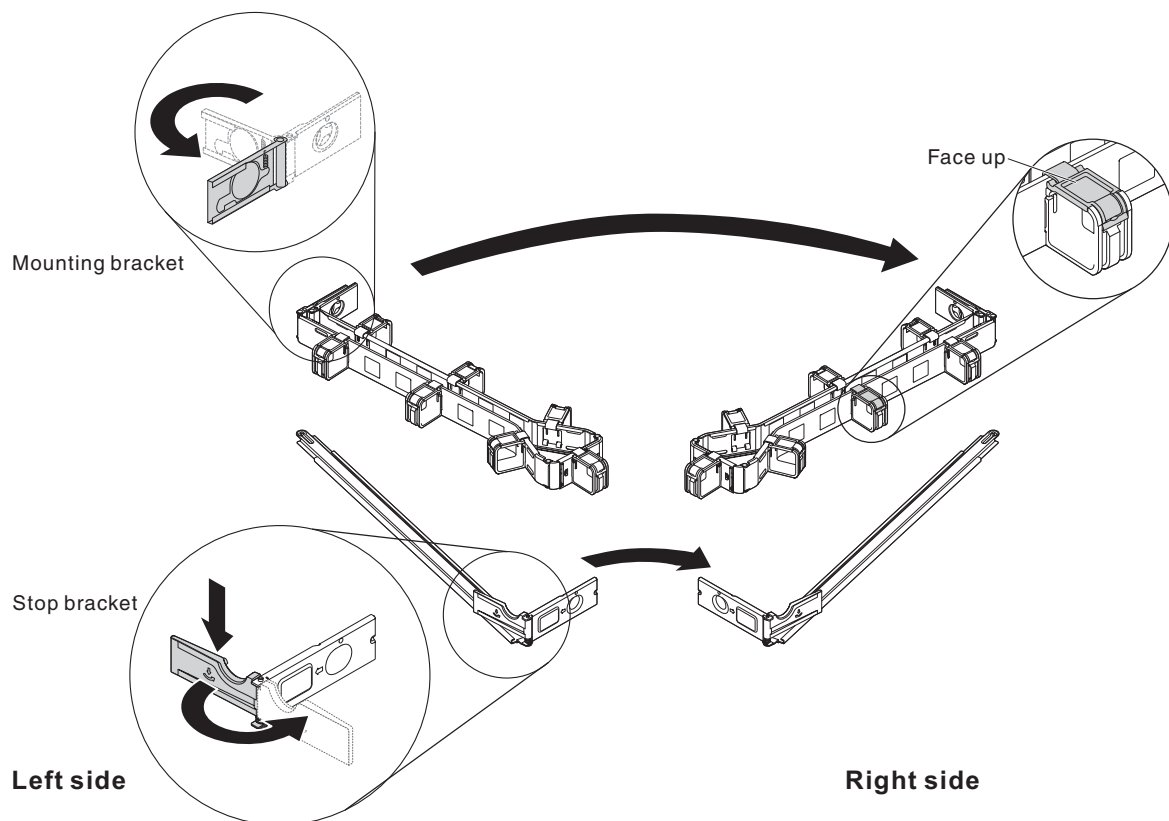
You might have either a 1U CMA for 1U servers or a 2U CMA for 2U servers. The following steps use the 1U CMA for illustrations. The installation procedure also applies to the 2U CMA.

1. Choose the mounting side for the CMA.

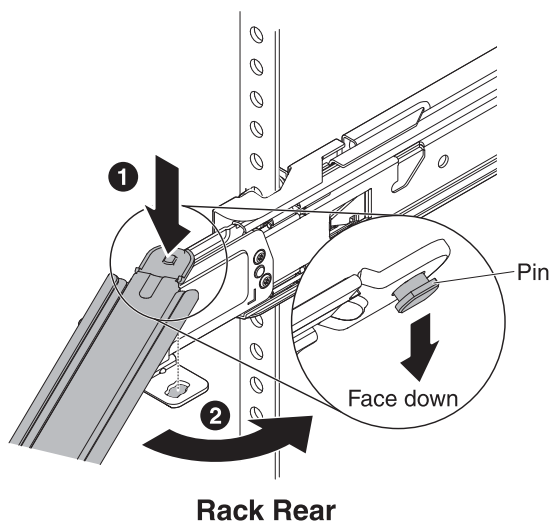
It is recommended that you connect the CMA mounting brackets on the side opposite the power supplies (the left side of the rack when viewed from the rear of the rack). In this way, you can access the rear cables and power supplies more easily.

- If you decide to mount the CMA on the left side, go to step 2 directly.
- If you still decide to mount the CMA on the right side (the power supply side), do the following:
 - ❶ Rotate the CMA mounting brackets by 180 degrees as shown.
 - ❷ Press down the stop bracket of the support bar and rotate it to the opposite side.

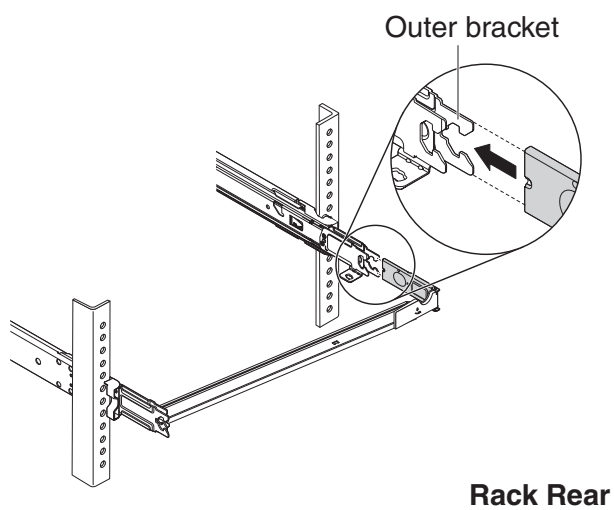
Ensure that you orient both the CMA and support bar correctly and the cable brackets on the CMA are facing upward as shown.



- 2.** Install the CMA support bar onto the rail.
- ❶ Place the pin on the CMA support bar down into the slot in the rear end of the rail.
 - ❷ Rotate the other end of the support bar toward the rail on the opposite side.

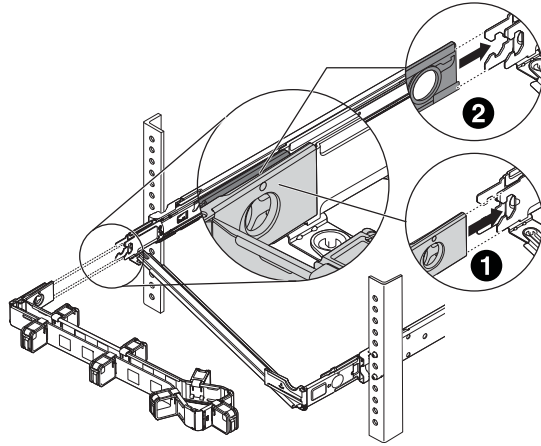


- 3.** Connect the mounting bracket on the support bar to the outer mounting bracket on the rear of the rail.



4. Connect the CMA mounting brackets to the rail.

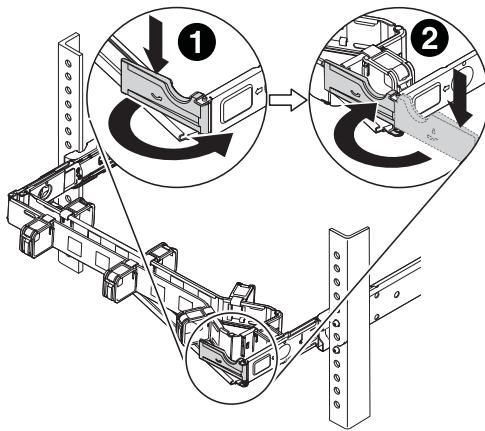
- ❶ Connect the inner mounting bracket on the CMA to the inner mounting bracket on the rear of the rail.
- ❷ Connect the outer mounting bracket on the CMA to the outer mounting bracket on the rear of the rail.



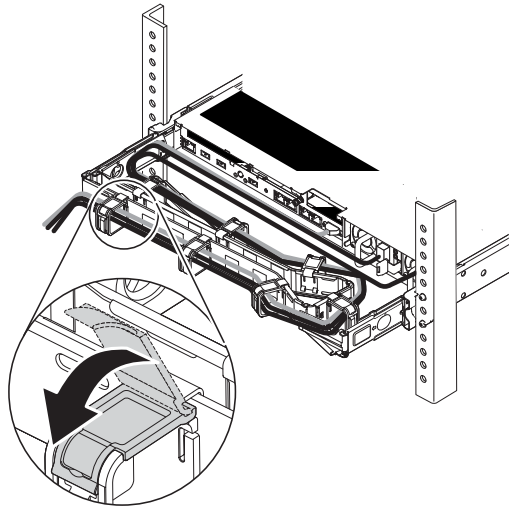
5. Place the CMA onto the support bar and close the stop bracket.

- ❶ Press down the stop bracket on the support bar and rotate it to the open position.
- ❷ Place the CMA onto the support bar and then rotate the stop bracket back into the closed position.

To rotate the CMA on or off the support bar, you can press down the stop bracket and rotate it to the open or closed position.



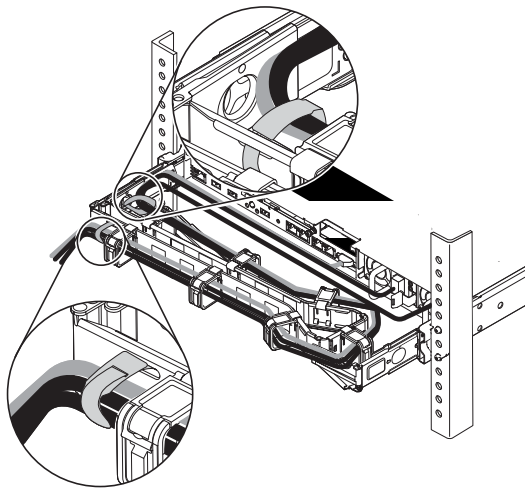
6. Attach the power cords and other cables to the rear of the server. Open the cable brackets on the CMA, route the cables, and then close the cable brackets.



7. Use the cable straps provided to secure the cables. Cables must be bundled with cable straps for proper movement.

Notes:

- For different servers, you might put the cable straps in different places to properly strap the cables.
- Ensure that the cables do not sag below the U space so they will not get caught on the lower servers.



Third Edition (November 2018)

LIMITED AND RESTRICTED RIGHTS NOTICE: If data or software is delivered pursuant to a General Services Administration "GSA" contract, use, reproduction, or disclosure is subject to restrictions set forth in Contract No. GS-35F-05925.

Product and service names appearing herein are trademarks or service marks of their respective owners.