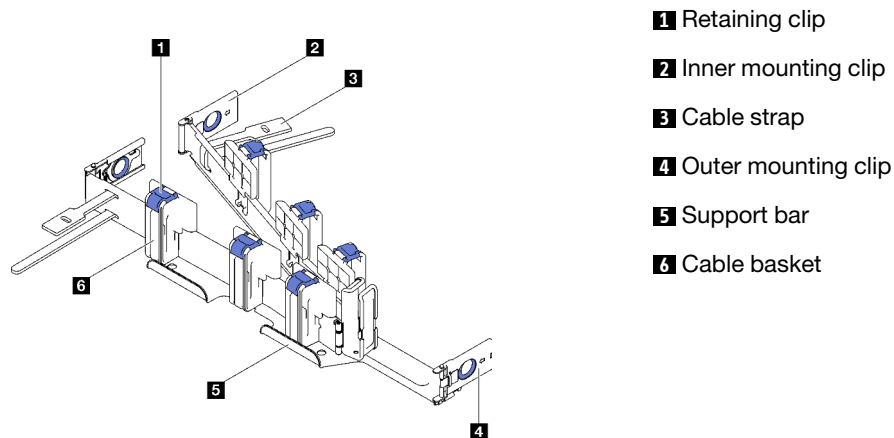


# Cable Management Arm (CMA) Installation Guide

---

## CMA kit parts inventory

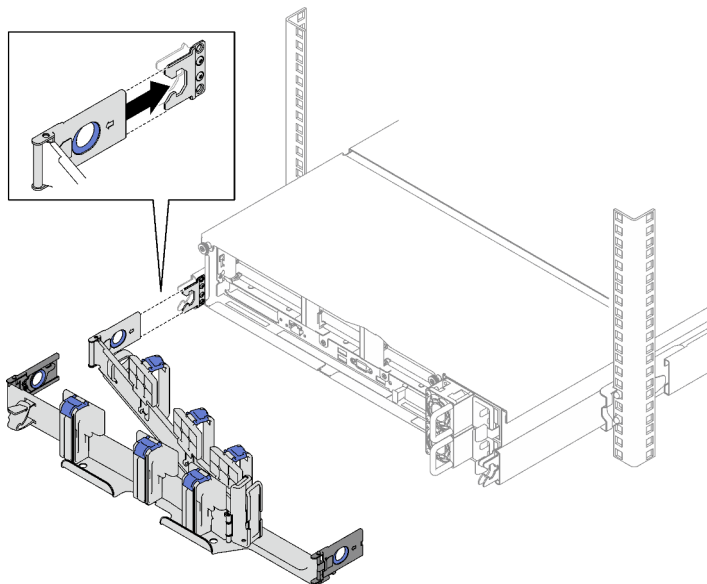
This CMA kit is for the Toolless Slide Rail Kit.



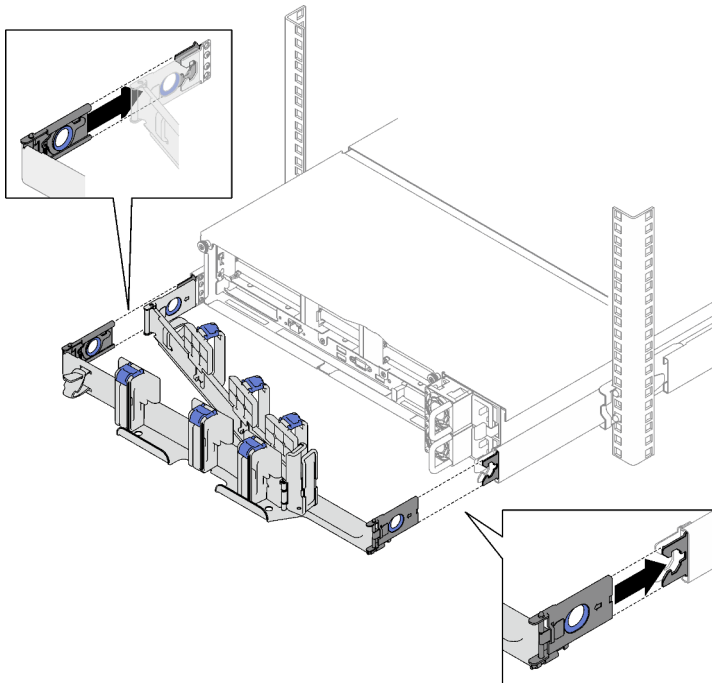
## Install the CMA

**Note:** The following illustrations might differ depending on the server, but the installation method is the same.

Step 1. Align the inner mounting clip with the inner tab on the slide; then, push it until it snaps into place.



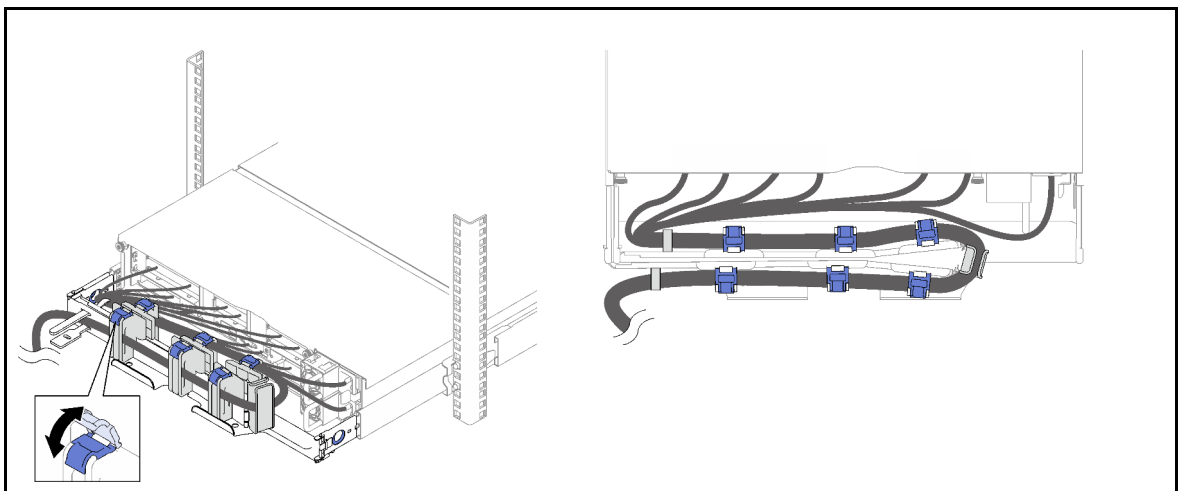
Step 2. Align two outer mounting clips with the outer tabs on the slides; then, push them until they snap into place.



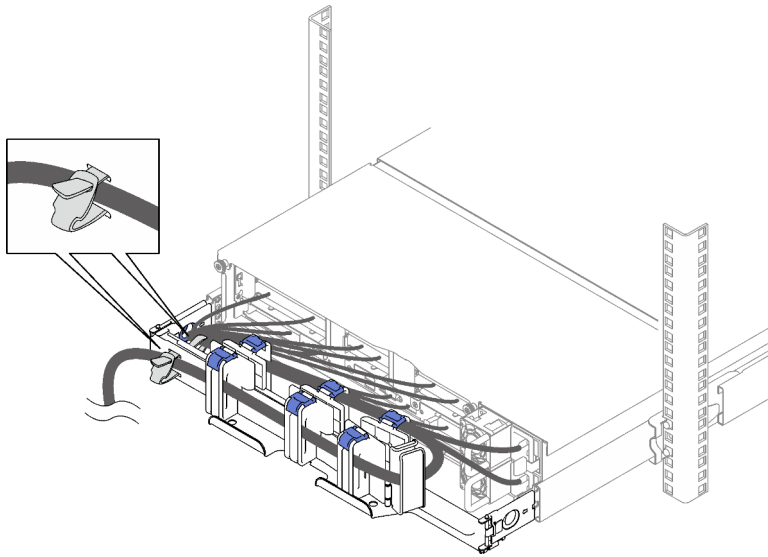
## Connect and route cables

**Note:** The following illustrations might differ depending on the server, but the installation method is the same.

- Step 1. Attach the power cords and other cables to the rear of the server; then, open the blue retaining clips on the cable baskets to route the cables and power cords in the direction as shown. Properly close them all afterwards.



- Step 2. Use the cable straps to tightly secure the cables to the front and rear of the CMA.

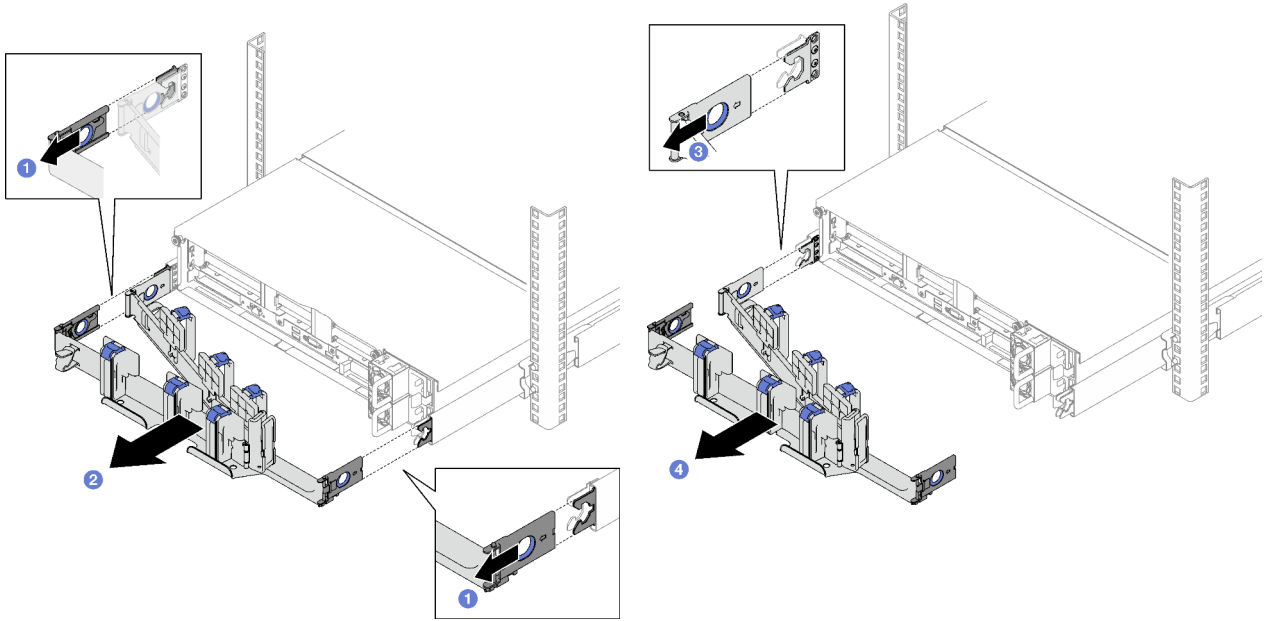
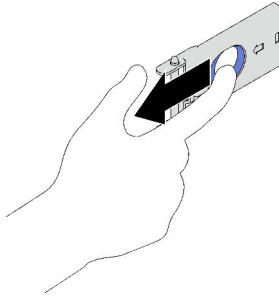


**Attention:** Carefully slide the server back and forward to ensure the cables do not pinch, bind, or hang down into the U space directly below the server.

## Remove the CMA

**Note:** The following illustrations might differ depending on the server, but the installation method is the same.

**Attention:** Release the mounting clip by pulling the ring-shaped release latch as illustrated.



**Attention:** Disconnect all the cables first.

- 1 Pull both release latches to disengage.
- 2 Remove the outer mounting clips.
- 3 Pull the release latch on the inner mounting clip to disengage.
- 4 Remove the CMA completely out of the slide rails.



---

**First Edition (May 2023)**

**© Copyright Lenovo 2023.**

LIMITED AND RESTRICTED RIGHTS NOTICE: If data or software is delivered pursuant to a General Services Administration (GSA) contract, use, reproduction, or disclosure is subject to restrictions set forth in Contract No. GS-35F-05925.

Printed in China  
(1P) P/N: 1PSP47B37782

