



Lenovo System x3530 M4 Installation and Service Guide



Machine Type: 7160

Note

Before using this information and the product it supports, read the general information in [Appendix E “Notices” on page 763](#) and the *Lenovo Safety Information*, and *Lenovo Environmental Notices and User's Guide* on the *Lenovo Documentation CD*, and the *Lenovo Warranty Information* document that comes with the server.

Twelfth Edition (September 2016)

© Copyright Lenovo 2015, 2016.

LIMITED AND RESTRICTED RIGHTS NOTICE: If data or software is delivered pursuant to a General Services Administration “GSA” contract, use, reproduction, or disclosure is subject to restrictions set forth in Contract No. GS-35F-05925.

Contents

Contents	i
---------------------------	----------

Safety	v
-------------------------	----------

Guidelines for trained service technicians	vi
Inspecting for unsafe conditions	vi
Guidelines for servicing electrical equipment.	vii
Safety statements	viii

Chapter 1. The System x3530 M4 7160 server.	1
--------------------------------------------------------------	----------

The Lenovo Documentation CD	3
Hardware and software requirements	3
Using the Documentation Browser	4
Related documentation	4
Notices and statements in this document.	5
Server features and specifications	6
What your server offers	9
Reliability, availability, and serviceability	13
Systems Director	14
Server controls, LEDs, and power.	15
Front view	15
Operator information panel	16
Light path diagnostics panel	18
Rear view	19
Server power features	22

Chapter 2. Installing optional devices.	25
----------------------------------------------------------	-----------

Installing optional hardware devices in the server.	25
Instructions for Business Partners	25
Sending DSA data to Lenovo.	26
Server components	26
PCI riser cards	32
Installation guidelines.	33
Removing the server top cover	35
Removing the air baffle	36
Installing a memory module	37
Installing drives	42
Installing a PCI riser-card assembly	48
Installing an adapter	49
Installing an optional ServeRAID SAS/SATA Controller	52
Installing an additional microprocessor and heat sink.	53
Installing a hot-swap ac power supply	59
Installing a hot-swap dc power supply	62

Installing a USB embedded hypervisor flash device.	67
Installing a RAID adapter battery remotely in the server	69
Installing an optional 4x2.5-inch hot-swap drive backplane	71
Completing the installation.	75

Chapter 3. Configuration information and instructions	81
------------------------------------------------------------------------	-----------

Updating the firmware	81
Configuring UEFI compatible devices	82
Configuring the server	82
Using the ServerGuide Setup and Installation CD	83
Using the Setup utility	85
Using the Boot Manager program	92
Starting the backup server firmware	92
The UpdateXpress System Pack Installer	92
Using the integrated management module II	92
Using the embedded hypervisor	94
Using the remote presence and blue-screen capture features	95
Enabling the Intel Gigabit Ethernet Utility program	96
Configuring the Gigabit Ethernet controller	97
Configuring RAID arrays.	97
Advanced Settings Utility program.	100
Using Lenovo XClarity Administrator	100
Updating the Systems Director	100
Updating the Universal Unique Identifier (UUID).	101
Updating the DMI/SMBIOS data	104

Chapter 4. Troubleshooting	107
---------------------------------------------	------------

Start here	107
Diagnosing a problem	107
Undocumented problems	109
Service bulletins	109
Checkout procedure	110
About the checkout procedure	110
Performing the checkout procedure	110
Diagnostic tools.	111
Light path diagnostics	113
Power-supply LEDs	122
Event logs	123
POST	126
Dynamic System Analysis	126

Call home (automated service request)	129
Service advisor	129
Electronic Service Agent	129
Error messages	129
Troubleshooting by symptom	129
CD/DVD drive problems	130
Hypervisor problems	131
General problems	131
Hard disk drive problems	132
Intermittent problems	135
Keyboard, mouse, or pointing-device problems	136
Memory problems	137
Microprocessor problems	138
Monitor and video problems	138
Network connection problems	141
Optional-device problems	142
Power problems	143
Serial-device problems	145
ServerGuide problems	146
Software problems	147
Universal Serial Bus (USB) port problems	147
Video problems	147
Solving power problems	147
Solving Ethernet controller problems	148
Solving undetermined problems	149
Problem determination tips	149
Recovering the server firmware (UEFI update failure)	150
Automated boot recovery (ABR)	152
Nx boot failure	152

Chapter 5. Parts listing, IBM System x3530 M4 Type 7160 155

Replaceable server components	155
Consumable parts	165
Structural parts	166
Power cords	167

Chapter 6. Removing and replacing structural parts. 169

Returning a device or component	169
Internal cable routing	169
General	169
2.5-inch hard disk drive cable connection	173
3.5-inch hard disk drive cable connection	187
Removing and replacing structural parts	196
Removing the server top cover	196
Replacing the server top cover	197
Removing the bezel	198
Replacing the bezel	199

Removing the air baffle	200
Replacing the air baffle	200
Removing and replacing Tier 1 CRUs	201
Removing an adapter	201
Replacing an adapter	202
Removing hot-swap drives	204
Installing hot-swap drives	205
Removing a simple-swap SATA drive	212
Replacing a simple-swap SATA drive	213
Removing a CD/DVD drive	214
Installing an optional CD/DVD drive	215
Removing the CD/DVD cable	218
Replacing the CD/DVD cable	219
Removing a fan	220
Replacing a fan	221
Removing a memory module	222
Replacing a memory module	222
Removing a ServeRAID Controller	224
Replacing an optional ServeRAID Controller	225
Removing a remotely installed RAID adapter battery	226
Replacing a RAID adapter battery remotely in the server	227
Removing a USB embedded hypervisor flash device	228
Replacing a USB embedded hypervisor flash device	230
Removing a hot-swap power supply	231
Replacing a hot-swap power supply	233
Removing a hot-swap dc power supply	235
Replacing a hot-swap dc power supply	238
Removing the fixed power supply	243
Replacing the fixed power supply	245
Removing a PCI riser-card assembly	248
Replacing a PCI riser-card assembly	249
Removing the operator information panel assembly	250
Replacing the operator information panel assembly	251
Removing the system battery	252
Replacing the system battery	255
Removing the front USB connector board	257
Replacing the front USB connector board	258
Removing the front video connector	260
Replacing the front video connector	260
Removing the power interposer card assembly	263
Replacing the power interposer card assembly	265
Removing the hot-swap drive backplane	266
Replacing the hot-swap drive backplane	267

Removing the simple-swap SATA drive backplate assembly	268
Replacing the simple-swap SATA drive backplate assembly	269
Removing and replacing Tier 2 CRUs	270
Removing a microprocessor and heat sink	270
Replacing a microprocessor and heat sink	273
Removing the system board	278
Replacing the system board	283

Appendix A. Integrated Management Module II (IMM2) error messages287

List of IMM events	288
IMM Events that automatically notify Support	601

Appendix B. UEFI (POST) error codes607

List of UEFI events.	607
------------------------------	-----

Appendix C. DSA diagnostic test results627

DSA Broadcom network test results	627
Test results for the DSA Broadcom network test	627
DSA Brocade test results	635
Test results for the DSA Brocade test	635
DSA checkpoint panel test results	643
Test results for the DSA checkpoint panel test	643
DSA CPU stress test results	644
Test results for the DSA CPU stress test	644
DSA Emulex adapter test results	647
Test results for the DSA Emulex adapter test	647
DSA EXA port ping test results	650
Test results for the DSA EXA port ping test	650
DSA hard drive test results	652
Test results for the DSA hard drive test	652
DSA Intel network test results	654
Test results for the DSA Intel network test	654
DSA LSI hard drive test results	659
Test results for the DSA LSI hard drive test	659
DSA Mellanox adapter test results	660
Test results for the DSA Mellanox adapter test	660
DSA memory isolation test results.	663
Test results for the DSA memory isolation test	663
DSA memory stress test results	729
Test results for the DSA memory stress test	729
DSA Nvidia GPU test results	732

Test results for the DSA Nvidia GPU test	732
DSA optical drive test results	737
Test results for the DSA optical drive test	738
DSA system management test results	742
Test results for the DSA system management test	742
DSA tape drive test results	754
Test results for the DSA tape drive test	754

Appendix D. Getting help and technical assistance759

Before you call	759
Using the documentation	760
Getting help and information from the World Wide Web	760
How to send DSA data	760
Creating a personalized support web page	760
Software service and support	761
Hardware service and support	761
Taiwan product service	761

Appendix E. Notices763

Trademarks	763
Important notes	764
Recycling information	764
Particulate contamination	765
Telecommunication regulatory statement	765
Electronic emission notices	765
Federal Communications Commission (FCC) statement	765
Industry Canada Class A emission compliance statement	766
Avis de conformité à la réglementation d'Industrie Canada.	766
Australia and New Zealand Class A statement	766
European Union EMC Directive conformance statement	766
Germany Class A statement	766
Japanese electromagnetic compatibility statements	767
Korea Communications Commission (KCC) statement	768
Russia Electromagnetic Interference (EMI) Class A statement	768
People's Republic of China Class A electronic emission statement	769
Taiwan Class A compliance statement	769
Taiwan BSMI RoHS declaration	770

Index771

Safety

Before installing this product, read the Safety Information.

قبل تركيب هذا المنتج، يجب قراءة الملاحظات الأمنية

Antes de instalar este produto, leia as Informações de Segurança.

在安裝本產品之前，請仔細閱讀 **Safety Information**
(安全信息)。

安裝本產品之前，請先閱讀「安全資訊」。

Prije instalacije ovog produkta obavezno pročitajte Sigurnosne Upute.

Před instalací tohoto produktu si přečtěte příručku bezpečnostních instrukcí.

Læs sikkerhedsforskrifterne, før du installerer dette produkt.

Lees voordat u dit product installeert eerst de veiligheidsvoorschriften.

Ennen kuin asennat tämän tuotteen, lue turvaohjeet kohdasta Safety Information.

Avant d'installer ce produit, lisez les consignes de sécurité.

Vor der Installation dieses Produkts die Sicherheitshinweise lesen.

Πριν εγκαταστήσετε το προϊόν αυτό, διαβάστε τις πληροφορίες ασφάλειας
(safety information).

לפני שתתקינו מוצר זה, קראו את הוראות הבטיחות.

A termék telepítése előtt olvassa el a Biztonsági előírásokat!

Prima di installare questo prodotto, leggere le Informazioni sulla Sicurezza.

製品の設置の前に、安全情報をお読みください。

본 제품을 설치하기 전에 안전 정보를 읽으십시오.

Пред да се инсталира овој продукт, прочитајте информацијата за безбедност.

بِسْمِ اللَّهِ الرَّحْمَنِ الرَّحِيمِ
بِسْمِ اللَّهِ الرَّحْمَنِ الرَّحِيمِ
بِسْمِ اللَّهِ الرَّحْمَنِ الرَّحِيمِ
بِسْمِ اللَّهِ الرَّحْمَنِ الرَّحِيمِ
بِسْمِ اللَّهِ الرَّحْمَنِ الرَّحِيمِ
بِسْمِ اللَّهِ الرَّحْمَنِ الرَّحِيمِ
بِسْمِ اللَّهِ الرَّحْمَنِ الرَّحِيمِ
بِسْمِ اللَّهِ الرَّحْمَنِ الرَّحِيمِ
بِسْمِ اللَّهِ الرَّحْمَنِ الرَّحِيمِ
بِسْمِ اللَّهِ الرَّحْمَنِ الرَّحِيمِ

Les sikkerhetsinformasjonen (Safety Information) før du installerer dette produktet.

Przed zainstalowaniem tego produktu, należy zapoznać się
z książką "Informacje dotyczące bezpieczeństwa" (Safety Information).

Antes de instalar este produto, leia as Informações sobre Segurança.

Перед установкой продукта прочтите инструкции по технике безопасности.

Pred inštaláciou tohto zariadenia si pečítajte Bezpečnostné predpisy.

Pred namestitvijo tega proizvoda preberite Varnostne informacije.

Antes de instalar este producto, lea la información de seguridad.

Läs säkerhetsinformationen innan du installerar den här produkten.

ཐོན་ཁུངས་འདི་བདེ་སྤྱོད་མ་བྱས་གོང་། རྫོང་གི་ཡིད་གཟབ་
བྱ་འདྲ་མིན་ཡོད་པའི་འོད་སྤེར་བལྟ་དགོས།

Bu ürünü kurmadan önce güvenlik bilgilerini okuyun.

مەزكۇر مەھسۇلاتنى ئورنىتىشتىن بۇرۇن بىخەتەرلىك ئۇچۇرلىرىنى ئوقۇپ چىقىڭ.

Youq mwngz yungh canjbinj neix gaxgong, itdingh aeu doeg aen
canjbinj soengq cungj vahgangj ancien siusik.

Guidelines for trained service technicians

This section contains information for trained service technicians.

Inspecting for unsafe conditions

Use this information to help you identify potential unsafe conditions in a device that you are working on.

Each device, as it was designed and manufactured, has required safety items to protect users and service technicians from injury. The information in this section addresses only those items. Use good judgment to identify potential unsafe conditions that might be caused by unsupported alterations or attachment of unsupported features or optional devices that are not addressed in this section. If you identify an unsafe condition, you must determine how serious the hazard is and whether you must correct the problem before you work on the product.

Consider the following conditions and the safety hazards that they present:

- Electrical hazards, especially primary power. Primary voltage on the frame can cause serious or fatal electrical shock.
- Explosive hazards, such as a damaged CRT face or a bulging capacitor.
- Mechanical hazards, such as loose or missing hardware.

To inspect the product for potential unsafe conditions, complete the following steps:

1. Make sure that the power is off and the power cords are disconnected.
2. Make sure that the exterior cover is not damaged, loose, or broken, and observe any sharp edges.
3. Check the power cords:
 - Make sure that the third-wire ground connector is in good condition. Use a meter to measure third-wire ground continuity for 0.1 ohm or less between the external ground pin and the frame ground.
 - Make sure that the power cords are the correct type.
 - Make sure that the insulation is not frayed or worn.
4. Remove the cover.

5. Check for any obvious unsupported alterations. Use good judgment as to the safety of any unsupported alterations.
6. Check inside the system for any obvious unsafe conditions, such as metal filings, contamination, water or other liquid, or signs of fire or smoke damage.
7. Check for worn, frayed, or pinched cables.
8. Make sure that the power-supply cover fasteners (screws or rivets) have not been removed or tampered with.

Guidelines for servicing electrical equipment

Observe these guidelines when you service electrical equipment.

- Check the area for electrical hazards such as moist floors, nongrounded power extension cords, and missing safety grounds.
- Use only approved tools and test equipment. Some hand tools have handles that are covered with a soft material that does not provide insulation from live electrical current.
- Regularly inspect and maintain your electrical hand tools for safe operational condition. Do not use worn or broken tools or testers.
- Do not touch the reflective surface of a dental mirror to a live electrical circuit. The surface is conductive and can cause personal injury or equipment damage if it touches a live electrical circuit.
- Some rubber floor mats contain small conductive fibers to decrease electrostatic discharge. Do not use this type of mat to protect yourself from electrical shock.
- Do not work alone under hazardous conditions or near equipment that has hazardous voltages.
- Locate the emergency power-off (EPO) switch, disconnecting switch, or electrical outlet so that you can turn off the power quickly in the event of an electrical accident.
- Disconnect all power before you perform a mechanical inspection, work near power supplies, or remove or install main units.
- Before you work on the equipment, disconnect the power cord. If you cannot disconnect the power cord, have the customer power-off the wall box that supplies power to the equipment and lock the wall box in the off position.
- Never assume that power has been disconnected from a circuit. Check it to make sure that it has been disconnected.
- If you have to work on equipment that has exposed electrical circuits, observe the following precautions:
 - Make sure that another person who is familiar with the power-off controls is near you and is available to turn off the power if necessary.
 - When you work with powered-on electrical equipment, use only one hand. Keep the other hand in your pocket or behind your back to avoid creating a complete circuit that could cause an electrical shock.
 - When you use a tester, set the controls correctly and use the approved probe leads and accessories for that tester.
 - Stand on a suitable rubber mat to insulate you from grounds such as metal floor strips and equipment frames.
- Use extreme care when you measure high voltages.
- To ensure proper grounding of components such as power supplies, pumps, blowers, fans, and motor generators, do not service these components outside of their normal operating locations.
- If an electrical accident occurs, use caution, turn off the power, and send another person to get medical aid.

Safety statements

These statements provide the caution and danger information that is used in this documentation.

Important: Each caution and danger statement in this documentation is labeled with a number. This number is used to cross reference an English-language caution or danger statement with translated versions of the caution or danger statement in the *Safety Information* document.

For example, if a caution statement is labeled Statement 1, translations for that caution statement are in the *Safety Information* document under Statement 1.

Be sure to read all caution and danger statements in this documentation before you perform the procedures. Read any additional safety information that comes with your system or optional device before you install the device.

Statement 1



Electrical current from power, telephone, and communication cables is hazardous.

To avoid a shock hazard:

- **Do not connect or disconnect any cables or perform installation, maintenance, or reconfiguration of this product during an electrical storm.**
- **Connect all power cords to a properly wired and grounded electrical outlet.**
- **Connect to properly wired outlets any equipment that will be attached to this product.**
- **When possible, use one hand only to connect or disconnect signal cables.**
- **Never turn on any equipment when there is evidence of fire, water, or structural damage.**
- **Disconnect the attached power cords, telecommunications systems, networks, and modems before you open the device covers, unless instructed otherwise in the installation and configuration procedures.**
- **Connect and disconnect cables as described in the following table when installing, moving, or opening covers on this product or attached devices.**

To Connect:

1. Turn everything OFF.
2. First, attach all cables to devices.
3. Attach signal cables to connectors.
4. Attach power cords to outlet.
5. Turn device ON.

To Disconnect:

1. Turn everything OFF.
2. First, remove power cords from outlet.
3. Remove signal cables from connectors.
4. Remove all cables from devices.

Statement 2



CAUTION:

When replacing the lithium battery, use only Part Number 33F8354 or an equivalent type battery recommended by the manufacturer. If your system has a module containing a lithium battery, replace it only with the same module type made by the same manufacturer. The battery contains lithium and can explode if not properly used, handled, or disposed of. *Do not:*

- Throw or immerse into water
- Heat to more than 100°C (212°F)
- Repair or disassemble

Dispose of the battery as required by local ordinances or regulations.

Statement 3



CAUTION:

When laser products (such as CD-ROMs, DVD drives, fiber optic devices, or transmitters) are installed, note the following:

- Do not remove the covers. Removing the covers of the laser product could result in exposure to hazardous laser radiation. There are no serviceable parts inside the device.
- Use of controls or adjustments or performance of procedures other than those specified herein might result in hazardous radiation exposure.



Some laser products contain an embedded Class 3A or Class 3B laser diode. Note the following. Laser radiation when open. Do not stare into the beam, do not view directly with optical instruments, and avoid direct exposure to the beam.

Statement 4



CAUTION: Use safe practices when lifting.

≥ 18 kg (39.7 lb)

≥ 32 kg (70.5 lb)

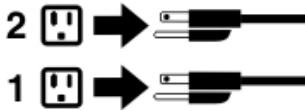
≥ 55 kg (121.2 lb)

Statement 5



CAUTION:

The power control button on the device and the power switch on the power supply do not turn off the electrical current supplied to the device. The device also might have more than one power cord. To remove all electrical current from the device, ensure that all power cords are disconnected from the power source.



Statement 6



CAUTION:

If you install a strain-relief bracket option over the end of the power cord that is connected to the device, you must connect the other end of the power cord to an easily accessible power source.

Statement 8



CAUTION:

Never remove the cover on a power supply or any part that has the following label attached.



Hazardous voltage, current, and energy levels are present inside any component that has this label attached. There are no serviceable parts inside these components. If you suspect a problem with one of these parts, contact a service technician.

Statement 12



CAUTION:
The following label indicates a hot surface nearby.

Statement 26



CAUTION:
Do not place any object on top of rack-mounted devices.

Statement 27



CAUTION:
Hazardous moving parts are nearby.

Rack Safety Information, Statement 2



 **DANGER**

- Always lower the leveling pads on the rack cabinet.
- Always install stabilizer brackets on the rack cabinet.
- Always install servers and optional devices starting from the bottom of the rack cabinet.
- Always install the heaviest devices in the bottom of the rack cabinet.

Chapter 1. The System x3530 M4 7160 server

This *Installation and Service Guide* contains information and instructions for setting up your System x3530 M4 Type 7160 server, instructions for installing some optional devices, cabling and configuring the server, removing and replacing devices, and diagnostics and troubleshooting information.

In addition to the instructions in [Chapter 2 “Installing optional devices” on page 25](#) for installing optional hardware devices, updating firmware and device drivers, and completing the installation, IBM Business Partners must also complete the steps in [“Instructions for Business Partners” on page 25](#).

The System x3530 M4 7160 is a 1-U-high rack model, two-socket server for virtualization, database, and computational intensive computing. It is the next generation enterprise server based on Intel's Romley-EN technology. This high-performance, scalable server is ideally suited for enterprise environments that require superior input/output (I/O) flexibility, scalability, and high manageability.

Performance, ease of use, reliability, and expansion capabilities were key considerations in the design of the server. These design features make it possible for you to customize the system hardware to meet your needs today and provide flexible expansion capabilities for the future.

The server comes with a limited warranty. For information about the terms of the warranty and getting service and assistance, see the *IBM Warranty Information* document that comes with the server.

The server contains IBM next generation technologies, which help increase performance and reliability. For more information, see [“What your server offers” on page 9](#) and [“Reliability, availability, and serviceability” on page 13](#).

You can obtain up-to-date information about the server and other IBM server products at <http://www.ibm.com/systems/x/>. At <http://www.ibm.com/support/mysupport/>, you can create a personalized support page by identifying IBM products that are of interest to you. From this personalized page, you can subscribe to weekly e-mail notifications about new technical documents, search for information and downloads, and access various administrative services.

If you participate in the IBM client reference program, you can share information about your use of technology, best practices, and innovative solutions; build a professional network; and gain visibility for your business. For more information about the IBM client reference program, see <http://www.ibm.com/ibm/clientreference/>.

The server supports up to eight 2.5-inch simple-swap or hot-swap drives, or four 3.5-inch simple-swap or hot-swap drives, using the supported drive backplane configurations. It supports 2.5-inch hot-swap Serial Attached SCSI (SAS) or SATA hard disk drives, 2.5-inch simple-swap SATA or solid-state hard disk drives, 3.5-inch hot-swap SAS or SATA hard disk drives, or 3.5-inch simple-swap SATA hard disk drives. The illustrations in this document might differ slightly from your hardware.

Note: The simple-swap models do not support hard disk drive status reporting with system management features. Hard disk drive status reporting can be managed by ServeRAID software. See the RAID documentation in the IBM ServeRAID Support CD for information about RAID controllers.

The following illustration shows the front of the server model with eight 2.5-inch hot-swap hard disk drive bays.

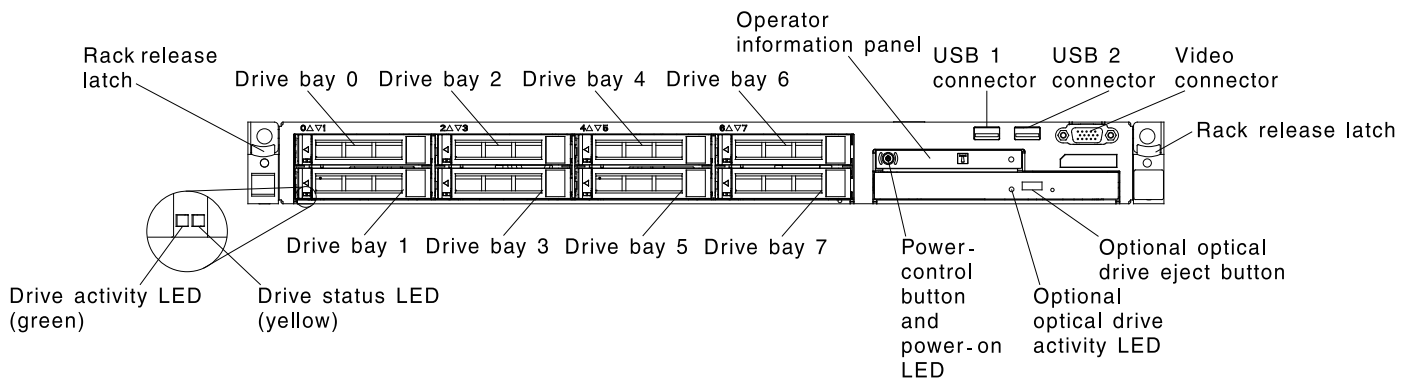


Figure 1. Front view: 2.5-inch model

The following illustration shows the front of the server model with four 3.5-inch hot-swap hard disk drive bays.

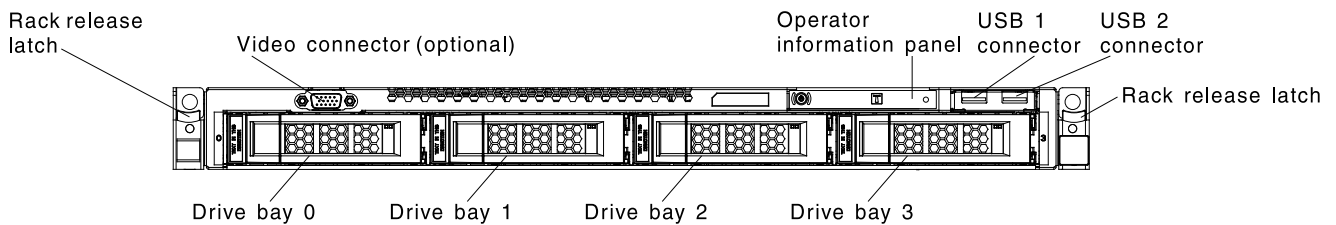


Figure 2. Front view: 3.5-inch model

If firmware and documentation updates are available, you can download them from the IBM website. The server might have features that are not described in the documentation that comes with the server, and the documentation might be updated occasionally to include information about those features, or technical updates might be available to provide additional information that is not included in the server documentation. To check for updates, go to <http://www.ibm.com/supportportal/>.

Record information about the server in the following table.

Product name	System x3530 M4
Machine type	7160
Model number	_____
Serial number	_____

The model number and serial number are on the ID label on the front of the server. The location of the ID label differs depending on your service model, as shown in the following illustrations.

Note: The illustrations in this document might differ slightly from your hardware.

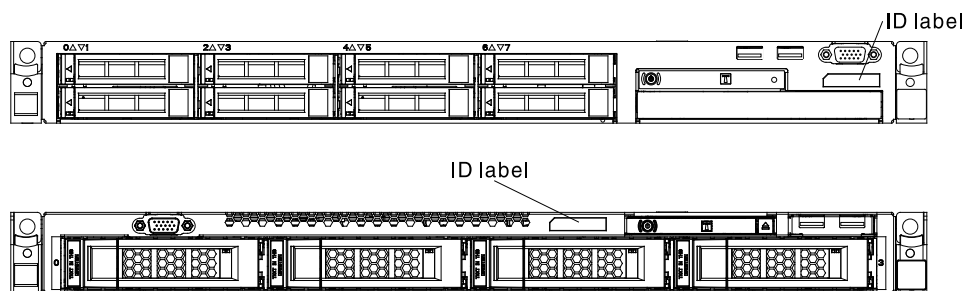


Figure 3. ID label

In addition, the system service label, which is on the cover of the server, provides a QR code for mobile access to service information. You can scan the QR code using a QR code reader and scanner with a mobile device and get quick access to the IBM Service Information website. The IBM Service Information website provides additional information for parts installation and replacement videos, and error codes for server support.

The following illustration shows the QR code (<http://ibm.co/18TTiG>):



Figure 4. QR code

You can download an IBM *ServerGuide Setup and Installation* CD to help you configure the hardware, install device drivers, and install the operating system.

For a list of supported optional devices for the server, see <http://www.ibm.com/systems/info/x86servers/serverproven/compat/us/>.

See the *Rack Installation Instructions* document on the IBM *Documentation* CD for complete rack installation and removal instructions.

The Lenovo Documentation CD

The Lenovo *Documentation* CD contains documentation for the server in Portable Document Format (PDF) and includes the Lenovo Documentation Browser to help you find information quickly.

Hardware and software requirements

The hardware and software requirements of the IBM *Documentation* CD.

- Microsoft Windows XP, Windows 2000, or Red Hat Linux
- 100 MHz microprocessor
- 32 MB of RAM
- Adobe Acrobat Reader 3.0 (or later) or xpdf, which comes with Linux operating systems

Using the Documentation Browser

Use the Documentation Browser to browse the contents of the CD, read brief descriptions of the documents, and view documents, using Adobe Acrobat Reader or xpdf.

The Documentation Browser automatically detects the regional settings in use in your server and displays the documents in the language for that region (if available). If a document is not available in the language for that region, the English-language version is displayed.

Use one of the following procedures to start the Documentation Browser:

- If Autostart is enabled, insert the CD into the CD or DVD drive. The Documentation Browser starts automatically.
- If Autostart is disabled or is not enabled for all users, use one of the following procedures:
 - If you are using a Windows operating system, insert the CD into the CD or DVD drive and click **Start -> Run**. In the **Open** field, type
`e:\win32.bat`
where *e* is the drive letter of the CD or DVD drive, and click **OK**.
 - If you are using Red Hat Linux, insert the CD into the CD or DVD drive; then, run the following command from the `/mnt/cdrom` directory:
`sh runlinux.sh`

Select the server from the **Product** menu. The **Available Topics** list displays all the documents for the server. Some documents might be in folders. A plus sign (+) indicates each folder or document that has additional documents under it. Click the plus sign to display the additional documents.

When you select a document, a description of the document is displayed under **Topic Description**. To select more than one document, press and hold the Ctrl key while you select the documents. Click **View Book** to view the selected document or documents in Acrobat Reader or xpdf. If you selected more than one document, all the selected documents are opened in Acrobat Reader or xpdf.

To search all the documents, type a word or word string in the **Search** field and click **Search**. The documents in which the word or word string appears are listed in order of the most occurrences. Click a document to view it, and press Ctrl+F to use the Acrobat search function, or press Alt+F to use the xpdf search function within the document.

Click **Help** for detailed information about using the Documentation Browser.

Related documentation

This *Installation and Service Guide* contains general information about the server including how to set up and cable the server, how to install supported optional devices, how to configure the server, and information to help you solve problems yourself and information for service technicians.

The following documentation also comes with the server:

- *Warranty Information*:
This document is in printed format and comes with the server. It contains warranty terms and a pointer to the IBM Statement of Limited Warranty on the IBM website.
- *Important Notices*:
This document is in printed format and comes with the server. It contains information about the safety, environmental, and electronic emission notices for your IBM product.
- *Environmental Notices and User Guide*:

This document is in PDF format on the IBM *Documentation* CD. It contains translated environmental notices.

- *IBM License Agreement for Machine Code:*

This document is in PDF on the IBM *Documentation* CD. It provides translated versions of the *IBM License Agreement for Machine Code* for your product.

- *Licenses and Attributions Document:*

This document is in PDF on the IBM *Documentation* CD. It provides the open source notices.

- *Safety Information*

This document is in PDF on the IBM *Documentation* CD. It contains translated caution and danger statements. Each caution and danger statement that appears in the documentation has a number that you can use to locate the corresponding statement in your language in the *Safety Information* document.

- *Rack Installation Instructions*

This printed document contains instructions for installing the server in a rack.

Depending on the server model, additional documentation might be included on the IBM *Documentation* CD.

The ToolsCenter for System x and BladeCenter is an online information center that contains information about tools for updating, managing, and deploying firmware, device drivers, and operating systems. The ToolsCenter for System x and BladeCenter is at <http://publib.boulder.ibm.com/infocenter/toolsctr/v1r0/index.jsp>.

The server might have features that are not described in the documentation that you received with the server. The documentation might be updated occasionally to include information about those features, or technical updates might be available to provide additional information that is not included in the server documentation. These updates are available from the IBM website. To check for updates, go to <http://www.ibm.com/supportportal/>.

Notices and statements in this document

The caution and danger statements in this document are also in the multilingual *Safety Information* document, which is on the IBM *Documentation* CD. Each statement is numbered for reference to the corresponding statement in your language in the *Safety Information* document.

The following notices and statements are used in this document:

- **Note:** These notices provide important tips, guidance, or advice.
- **Important:** These notices provide information or advice that might help you avoid inconvenient or problem situations.
- **Attention:** These notices indicate potential damage to programs, devices, or data. An attention notice is placed just before the instruction or situation in which damage might occur.
- **Caution:** These statements indicate situations that can be potentially hazardous to you. A caution statement is placed just before the description of a potentially hazardous procedure step or situation.
- **Danger:** These statements indicate situations that can be potentially lethal or extremely hazardous to you. A danger statement is placed just before the description of a potentially lethal or extremely hazardous procedure step or situation.

Server features and specifications

The following information is a summary of the features and specifications of the server. Depending on the model, some features might not be available, or some specifications might not apply.

Table 1. Server features and specifications

<p>Microprocessor (depending on the model):</p> <ul style="list-style-type: none"> • Supports one Intel Pentium 1400 series microprocessor or up to two Intel Xeon™ EN E5-2400 series microprocessors • Up to 20 MB Level-3 cache • One QuickPath Interconnect (QPI) link speed up to 8 Giga Transfers (GT) per second • Scalable up to eight cores • Three memory channels per microprocessor on the system board that supports two DIMMs per channel <p>Note: For a list of supported microprocessors, see http://www.ibm.com/systems/info/x86servers/serverproven/compat/us/.</p>	<p>Memory (depending on the model):</p> <ul style="list-style-type: none"> • Slots: 12 dual inline memory module connectors • Minimum: 2 GB • Maximum: up to 192 GB • Type: DDR3-1066 (PC3-8500), DDR3-1333 (PC3-10600), or DDR3-1600 (PC3-12800), ECC, single-rank or dual-rank, DDR3 registered or unbuffered SDRAM DIMMs • Supports: <ul style="list-style-type: none"> – UDIMM: 4 GB – RDIMM: 2 GB, 4 GB, 8 GB, 16 GB, or 32 GB (when available) 	<p>Drive expansion bays (depending on the model):</p> <ul style="list-style-type: none"> • The server can support up to eight 2.5-inch drives or up to four 3.5-inch drives. The following drives are supported: • 2.5-inch hot-swap SAS/SATA hard disk drive • 2.5-inch simple-swap SATA or solid-state hard disk drive • 3.5-inch hot-swap SAS/SATA hard disk drive • 3.5-inch simple-swap SATA hard disk drive <p>Attention: As a general consideration, do not mix standard 512-byte and advanced 4-KB format drives in the same RAID array because it might lead to potential performance issues.</p> <p>Note: For specific models that may be shipped initially with four hard disk drives, configuration may be able to expand to eight hard disk drives via Features on Demand (FoD).</p>
<p>Optional SATA optical drives (depending on your model):</p> <ul style="list-style-type: none"> • DVD-ROM • Multi-burner <p>Fans:</p> <ul style="list-style-type: none"> • The server comes standard with four speed-controlled fans for one-microprocessor configuration • Supports up to six fans with two microprocessors installed <p>PCI expansion slots (depending on your model):</p> <ul style="list-style-type: none"> • Two x8 low-profile, PCIe 3.0 adapter slots on the system board • One x16 (x16 mechanically) PCIe 3.0 adapter slot • One x4 (x8 mechanically) PCIe 3.0 adapter slot on the optional PCI riser-card for an optional RAID adapter 	<p>Integrated functions:</p> <ul style="list-style-type: none"> • Integrated Management Module II (IMM2), which provides service processor control and monitoring functions, video controller, and remote keyboard, video, mouse, and remote hard disk drive capabilities • Onboard Intel Powerville 4-port Gigabit Ethernet controller with Wake on LAN support (by default Ethernet 1 and 2 are enabled, to enable Ethernet 3 and 4, it is done through the Features on Demand (FoD)) • Onboard PCH with LSI software RAID with support for RAID levels 0, 1 and 10 • Light path diagnostics • Seven Universal Serial Bus (USB) 2.0 ports: <ul style="list-style-type: none"> – Two on the front of the chassis – Four on the rear of the chassis – One internal • One serial port <p>Note: In messages and documentation, the term <i>service processor</i> refers to the integrated management module II (IMM2).</p>	<p>Power supply (depending on your model):</p> <ul style="list-style-type: none"> • One fixed 460-watt ac power supply • Up to two 460-watt or 675-watt ac hot-swap power supplies for 1+1 redundancy support • Up to two 675-watt dc <p>Video controller (integrated into IMM, depending on your model):</p> <ul style="list-style-type: none"> • Matrox G200eR2 (two analog ports - one optional on front and one rear that can be connected at the same time) <p>Note: The maximum video resolution is 1600 x 1200 at 60 or 75 Hz.</p> <ul style="list-style-type: none"> – SVGA compatible video controller – DDR2 250 MHz SDRAM video memory controller – Avocent Digital Video Compression – Video memory is not expandable

Table 1. Server features and specifications (continued)

<p>RAID controllers:</p> <p>The following RAID options are available for the server:</p> <ul style="list-style-type: none"> • ServeRAID H1110 SAS/SATA Controller for System x • ServeRAID M1115 SAS/SATA Controller for System x • ServeRAID M5110 SAS/SATA Controller for IBM System x • ServeRAID M5120 SAS/SATA Controller for IBM System x • ServeRAID M5100 Series Battery Kit for IBM System x • ServeRAID M5100 Series 512MB Cache/RAID 5 Upgrade for IBM System x • ServeRAID M5100 Series 512MB Flash/RAID 5 Upgrade for IBM System x • ServeRAID M5100 Series Zero Cache/RAID 5 Upgrade for IBM System x • ServeRAID M5100 Series 1GB Flash/RAID Upgrade for IBM System x • ServeRAID C105 for IBM System X <p>Size:</p> <ul style="list-style-type: none"> • Height: 43 mm (1.7 inches, 1U) • Depth: 673.1 mm (26.5 inches) • Width: 447 mm (17.6 inches) • Maximum weight: 15.8 kg (33.8 lb) when fully configured <p>Acoustical noise emissions:</p> <ul style="list-style-type: none"> • Sound power, idling: 6.5 bels • Sound power, operating: 6.5 bels 	<p>Environment:</p> <ul style="list-style-type: none"> • Air temperature: <ul style="list-style-type: none"> – Server on: 5°C to 40°C (41°F to 104°F); altitude: 0 to 915 m (3000 ft) – Server on: 5°C to 32°C (41°F to 89.6°F); altitude: 915 m (3000 ft) to 2134 m (7000 ft) – Server on: 5°C to 28°C (41°F to 82.4°F); altitude: 2134 m (7000 ft) to 3050 m (10000 ft) – Server off: 5°C to 45°C (41° to 113°F) – Shipment: -40°C to +60°C (-40° F to 140°F) • Humidity: <ul style="list-style-type: none"> – Server on: 8% to 85%; maximum dew point: 24°C (75.2°F); maximum rate of change 5 °C/hr – Server off: 8% to 80%; maximum dew point: 27°C (80° F) – Shipment: 5% to 100% • Design to ASHRAE Class A3: <ul style="list-style-type: none"> – Ambient of 35°C to 40°C (95°F to 104°F), with relaxed support – Support cloud like workload with no performance degradation acceptable (Turbo-Off) – Under no circumstance, can any combination of worst case workload and configuration result in system shutdown or design exposure at 40°C (104° F) • Particulate contamination: <p>Attention: Airborne particulates and reactive gases acting alone or in combination with other environmental factors such as humidity or temperature might pose a risk to the server. For information about the limits for particulates and gases, see “Particulate contamination” on page 765.</p>	<p>Heat output:</p> <p>Approximate heat output:</p> <ul style="list-style-type: none"> • Minimum configuration: 406 Btu per hour (119 watts) • Maximum configuration: 2627.3 Btu per hour (770 watts) <p>Electrical input:</p> <ul style="list-style-type: none"> • Sine-wave input (50 - 60 Hz) required • Input voltage automatically selected • Input voltage low range: <ul style="list-style-type: none"> – Minimum: 100 V ac – Maximum: 127 V ac • Input voltage high range: <ul style="list-style-type: none"> – Minimum: 200 V ac – Maximum: 240 V ac • Input kilovolt-amperes (kVA), approximately: <ul style="list-style-type: none"> – Minimum: 0.12 kVA – Maximum: 0.78 kVA <p>Notes:</p> <ol style="list-style-type: none"> 1. Power consumption and heat output vary depending on the number and type of optional features installed and the power-management optional features in use. 2. The noise emission level stated is the declared (upper limit) sound power level, in bels, for a random sample of machines. All measurements are made in accordance with ISO 7779 and reported in conformance with ISO 9296.
------------------------------------------------------------------------------------------------------------------------------------------------------------------------------------------------------------------------------------------------------------------------------------------------------------------------------------------------------------------------------------------------------------------------------------------------------------------------------------------------------------------------------------------------------------------------------------------------------------------------------------------------------------------------------------------------------------------------------------------------------------------------------------------------------------------------------------------------------------------------------------------------------------------------------------------------------------------------------------------------------------------------------------------------------------------------------------------------------------------------------------------------------------------------------------------------------------------------------------------------------------------	-----------------------------------------------------------------------------------------------------------------------------------------------------------------------------------------------------------------------------------------------------------------------------------------------------------------------------------------------------------------------------------------------------------------------------------------------------------------------------------------------------------------------------------------------------------------------------------------------------------------------------------------------------------------------------------------------------------------------------------------------------------------------------------------------------------------------------------------------------------------------------------------------------------------------------------------------------------------------------------------------------------------------------------------------------------------------------------------------------------------------------------------------------------------------------------------------------------------------------------------------------------------------------------------------------------------------------------------------------------------------------------------------------------------------------------------------------------------------------------------------------------------------------------------------------------------------------------------------------	-----------------------------------------------------------------------------------------------------------------------------------------------------------------------------------------------------------------------------------------------------------------------------------------------------------------------------------------------------------------------------------------------------------------------------------------------------------------------------------------------------------------------------------------------------------------------------------------------------------------------------------------------------------------------------------------------------------------------------------------------------------------------------------------------------------------------------------------------------------------------------------------------------------------------------------------------------------------------------------------------------------------------------------------------------------------------------------------------------------------------------------------------------------------------------------------------------------------------------------------------------------------------------------------------------------------------------------------

EU Regulation 617/2013 Technical Documentation:

International Business Machines Corporation
New Orchard Road
Armonk, New York 10504
<http://www.ibm.com/customersupport/>

For more information on the energy efficiency program, go to <http://www.ibm.com/systems/x/hardware/energy-star/index.html>

Product Type:

Computer server

Year first manufactured:

2012

Internal/external power supply efficiency:

- http://www.plugloadsolutions.com/psu_reports/ACBEL_FS9032-000G_675W_SO-210_Report.pdf
- http://www.plugloadsolutions.com/psu_reports/IBM_7001578-XXXX_675W_SO-485_Report.pdf
- http://www.plugloadsolutions.com/psu_reports/IBM_39Y7228_460W_SO-220_Report.pdf
- http://www.plugloadsolutions.com/psu_reports/IBM_FSB003-030G_ECOS%202978_460W_Report.pdf

Maximum power (watts):

See [Power supply](#).

Idle state power (watts):

55

Sleep mode power (watts):

Not applicable for servers.

Off mode power (watts):

21

Noise levels (the declared A-weighted sound power level of the computer):

See [Acoustical noise emissions](#).

Test voltage and frequency:

230V / 50 Hz or 60 Hz

Total harmonic distortion of the electricity supply system:

The maximum harmonic content of the input voltage waveform will be equal or less than 2%. The qualification is compliant with EN 61000-3-2.

Information and documentation on the instrumentation set-up and circuits used for electrical testing:

ENERGY STAR Test Method for Computer Servers; ECOVA Generalized Test Protocol for Calculating the Energy Efficiency of Internal Ac-Dc and Dc-Dc Power Supplies.

Measurement methodology used to determine information in this document:

ENERGY STAR Servers Version 2.0 Program Requirements; ECOVA Generalized Test Protocol for Calculating the Energy Efficiency of Internal Ac-Dc and Dc-Dc Power Supplies.

What your server offers

The server uses the following features and technologies.

- **Active Energy Manager**

The IBM Active Energy Manager solution is an IBM Systems Director extension that measures and reports server power consumption as it occurs. This enables you to monitor power consumption in correlation to specific software application programs and hardware configurations. You can obtain the measurement values through the systems-management interface and view them, using IBM Systems Director. For more information, including the required levels of IBM Systems Director and Active Energy Manager, see the IBM Systems Director documentation on the *IBM Systems Director DVD*, or see <http://www.ibm.com/systems/management/director/extensions/actengmgr.html/>.

- **Dynamic System Analysis (DSA) Preboot**

The server comes with the IBM Dynamic System Analysis (DSA) Preboot diagnostic program stored in the integrated USB memory on the server. DSA Preboot collects and analyzes system information to aid in diagnosing server problems, as well as offering a rich set of diagnostic tests of the major components of the server. DSA Preboot collects the following information about the server:

- Drive health information
- Event logs for ServeRAID controllers and service processors
- Hardware inventory, including PCI and USB information
- Light path diagnostics status
- Microprocessor, input/out hub, and UEFI error logs
- Network interfaces and settings
- RAID controller configuration
- Service processor (integrated management module) status and configuration
- System configuration
- Vital product data, firmware, and UEFI configuration

DSA Preboot also provides diagnostics for the following system components (when they are installed):

- Intel network adapter
- IMM I²C bus
- Light path diagnostics panel
- Memory modules
- Microprocessors
- Optical devices (CD or DVD)
- SAS or SATA drives

For information about both editions (DSA Preboot and Portable) of the Dynamic System Analysis (DSA) diagnostic programs, see [“DSA editions” on page 127](#).

- **IBMServerGuide Setup and Installation CD**

The *ServerGuide Setup and Installation* CD, which you can download from the Web, provides programs to help you set up the server and install a Windows operating system. The ServerGuide program detects installed optional hardware devices and provides the correct configuration programs and device drivers. For more information about the *ServerGuide Setup and Installation* CD, see [“Using the ServerGuide Setup and Installation CD” on page 83](#).

- **IBM Systems Director DVD**

IBM Systems Director is a platform-management foundation that streamlines the way you manage physical and virtual systems in a heterogeneous environment. By using industry standards, IBM Systems Director supports multiple operating systems and virtualization technologies for IBM and non-IBM x86 platforms. For more information, see the IBM Systems Director documentation on the *IBM Systems Director* DVD and [“Systems Director” on page 14](#).

- **Lenovo XClarity Administrator**

Lenovo XClarity Administrator is a centralized, resource-management solution that simplifies infrastructure management, speeds responses, and enhances the availability of Lenovo server systems and solutions. It runs as a virtual appliance that automates discovery, inventory, tracking, and monitoring for Lenovo servers in a secure environment. For more information, see [“Using Lenovo XClarity Administrator” on page 100](#).

- **Integrated Management Module II (IMM2)**

The Integrated Management module II (IMM2) combines service processor functions, video controller, and remote presence and blue-screen capture features in a single chip. The IMM2 provides advanced service-processor control, monitoring, and alerting function. If an environmental condition exceeds a threshold or if a system component fails, the IMM lights LEDs to help you diagnose the problem, records the error in the IMM2 event log, and alerts you to the problem. Optionally, the IMM2 also provides a virtual presence capability for remote server management capabilities. The IMM2 provides remote server management through the following industry-standard interfaces:

- Intelligent Platform Management Interface (IPMI) version 2.0
- Simple Network Management Protocol (SNMP) version 3.0
- Common Information Model (CIM)
- Web browser

For additional information, see “Using the integrated management module II” on page 92 and the *Integrated Management Module II User’s Guide* at the <http://www.lenovo.com/support>.

- **Integrated network support**

The server comes with an integrated 4-port (2 ports by default, 2 ports by upsell) Gigabit Ethernet controller, which supports connection to a 10 Mbps, 100 Mbps, or 1000 Mbps network. For more information, see “Configuring the Gigabit Ethernet controller” on page 97.

- **Integrated Trusted Platform Module (TPM)**

This integrated security chip performs cryptographic functions and stores private and public secure keys. It provides the hardware support for the Trusted Computing Group (TCG) specification. You can download the software to support the TCG specification, when the software is available. See http://www.ibm.com/servers/eserver/xseries/scalable_family.html for details about the TPM implementation. You can enable TPM support through the Setup utility under the **System Security** menu choice (see “Using the Setup utility” on page 85).

- **Large data-storage capacity and hot-swap capability**

The server can support a maximum of eight 2.5-inch drives or four 3.5-inch drives. The server supports 2.5-inch hot-swap SAS/SATA hard disk drives, or 3.5-inch simple-swap SATA or hot-swap SAS/SATA hard disk drives.

With the hot-swap feature, you can add, remove, or replace hard disk drives without turning off the server.

- **Large system-memory capacity**

The server system board provides 12 DIMM connectors for up to 192 GB of memory.

The server memory controller supports error correcting code (ECC) for up to 12 industry-standard DDR3-1066 (PC3-8500), DDR3-1333 (PC3-10600), DDR3-1600 (PC3-12800) (single-rank or dual-rank), DDR3 (third-generation double-data-rate), registered or unbuffered, synchronous dynamic random access memory (SDRAM) dual inline memory modules (DIMMs).

- **Light path diagnostics**

Light path diagnostics provides LEDs to help you diagnose problems. For more information about the light path diagnostics and the LEDs, see “Light path diagnostics panel” on page 18 and “Light path diagnostics LEDs” on page 117.

- **Mobile access to IBM Service Information website**

The server provides a QR code on the system service label, which is on the cover of the server, that you can scan using a QR code reader and scanner with a mobile device to get quick access to the IBM Service Information website. The IBM Service Information website provides additional information for parts installation and replacement videos, and error codes for server support. For the QR code, see Chapter 1 “The System x3530 M4 7160 server” on page 1.

- **Multi-core processors**

Depending on your server model, the server supports one Intel Pentium 1400 series microprocessor or up to two Intel Xeon™ EN E5-2400 series microprocessors.

- **PCI Express adapter capabilities**

The system board provides up to three PCIe connectors for two PCI riser-card assemblies. See [“Installing an adapter” on page 49](#) for detailed information.

- **Redundant connection**

The Intel Gigabit Ethernet controller provides failover capability to a redundant Ethernet connection with the applicable application installed. If a problem occurs with the primary Ethernet connection and the optional Ethernet adapter is installed in the server, all Ethernet traffic that is associated with the primary connection is automatically switched to an optional Ethernet connection. If the applicable device drivers are installed, this switching occurs without data loss and without user intervention.

A feature upgrade key is required to enable ports 3 and 4 on the Gigabit Ethernet controller. See <https://fod.lenovo.com/lkms> for detailed information on product feature activation.

- **Cooling and optional power capabilities**

The server supports up to six speed-controlled simple-swap fans for a full configuration.

The server comes with one fixed 460-watt, or one hot-swap 460-watt or 675-watt power supply installed. The server supports a maximum of two 460-watt or two 675-watt hot-swap power supplies.

For redundancy support on hot-swap models, two power-supplies must be installed in the server. Two power supplies enables continued operation if one of the power supplies fails.

- **Remote presence and blue-screen capture features**

The blue-screen capture feature is an integrated function of the integrated management module (IMM).

The blue-screen capture feature captures the video display contents before the IMM restarts the server when the IMM detects an operating-system hang condition. A system administrator can use the blue-screen capture feature to assist in determining the cause of the hang condition.

You can activate the optional remote presence feature in the IMM Premium only to use the following functions: .

- Remotely viewing video with graphics resolutions up to 1600 x 1200 at 60 or 75 Hz, regardless of the system state
- Remotely accessing the server, using the keyboard and mouse from a remote client
- Mapping the CD or DVD drive, diskette drive, and USB flash drive on a remote client, and mapping ISO and diskette image files as virtual drives that are available for use by the server
- Uploading a diskette image to the IMM memory and mapping it to the server as a virtual drive

For information on product feature activation, see <https://fod.lenovo.com/lkms>.

See [“Using the remote presence and blue-screen capture features” on page 95](#) for additional information.

- **ServeRAID support**

A ServeRAID adapter provides hardware redundant array of independent disks (RAID) support to create configurations. The server comes with an onboard RAID controller which provides RAID levels 0 and 1. Additional optional RAID adapters are available for purchase that provide RAID level 5.

- **Service Advisor**

The server comes with the Service Advisor feature that can collect data about the system when a the system detects a fault and sends that data to IBM Service for problem determination. It also includes the call home feature that automatically calls IBM Service when a problem occurs. The Service Advisor

feature is integrated into the Integrated Management Module (IMM). You will need to setup and configure the Service Advisor feature before you can use it. For more information about how to setup and configure the Service Advisor feature, see the *Integrated Management Module User's Guide* at <http://www.lenovo.com/support>.

- **Systems-management capabilities**

The server comes with an integrated management module (IMM). When the IMM is used with the systems-management software that comes with the server, you can manage the functions of the server locally and remotely. The IMM also provides system monitoring, event recording, and network alert capability. The systems-management connector on the rear of the server is dedicated to the IMM. The dedicated systems-management connector provides additional security by physically separating the management network traffic from the production network. You can use the Setup utility to configure the server to use a dedicated systems-management network or a shared network.

- **UEFI-compliant server firmware**

The UEFI firmware offers several features, including Unified Extensible Firmware Interface (UEFI) version 2.1 compliance, Active Energy Management (AEM) technology, enhanced reliability, availability, and serviceability (RAS) capabilities, and basic input/output system (BIOS) compatibility support. UEFI replaces the BIOS and defines a standard interface between the operating system, platform firmware, and external devices. The server is capable of booting UEFI-compliant operating systems, BIOS-based operating systems, and BIOS-based adapters as well as UEFI-compliant adapters. For more information about UEFI-compliant firmware, go to <http://www.ibm.com/support/entry/portal/docdisplay?indocid=MIGR-5083207>.

Note: The server does not support DOS.

- **VMware ESXi embedded hypervisor**

An optional USB flash device with VMware ESXi embedded hypervisor software is available for purchase. Hypervisor is virtualization software that enables multiple operating systems to run on a host system at the same time. See “Using the embedded hypervisor” on page 94 for additional information.

Reliability, availability, and serviceability

Three important computer design features are reliability, availability, and serviceability (RAS). The RAS features help to ensure the integrity of the data that is stored in the server, the availability of the server when you need it, and the ease with which you can diagnose and correct problems.

Your server has the following RAS features:

- 3-year parts and 3-year labor limited warranty (Machine Type 7160)
- 24-hour support center
- Automatic error retry and recovery
- Automatic restart on nonmaskable interrupt (NMI)
- Automatic restart after a power failure
- Backup basic input/output system switching under the control of the integrated management module (IMM)
- Built-in monitoring for fan, power, temperature, voltage, and power-supply redundancy
- Cable-presence detection on most connectors
- Chipkill memory protection
- Diagnostic support for ServeRAID and Ethernet adapters
- Error codes and messages
- Error correcting code (ECC) L3 cache and system memory
- Full Array Memory Mirroring (FAMM) redundancy
- Hot-swap hard disk drives
- Operator information and light path diagnostics LED panels
- Integrated Management Module (IMM)

- Light path diagnostics LEDs for memory DIMMs, microprocessors, hard disk drives, power supplies, and fans
- Memory mirroring and memory sparing support
- Memory error correcting code and parity test
- Memory down sizing (non-mirrored memory). After a restart of the server after the memory controller detected a non-mirrored uncorrectable error and the memory controller cannot recover operationally, the IMM logs the uncorrectable error and informs POST. POST logically maps out the memory with the uncorrectable error, and the server restarts with the remaining installed memory.
- Menu-driven setup, system configuration, and redundant array of independent disks (RAID) configuration programs
- Microprocessor built-in self-test (BIST), internal error signal monitoring, internal thermal trip signal monitoring, configuration checking, and microprocessor and voltage regulator module failure identification through light path diagnostics
- Nonmaskable interrupt (NMI) button
- Parity checking on the small computer system interface (SCSI) bus and PCI-E buses
- Power management: Compliance with Advanced Configuration and Power Interface (ACPI)
- Power-on self-test (POST)
- Predictive Failure Analysis (PFA) alerts on memory, microprocessors, SAS/SATA hard disk drives or solid state drives, fans, power supplies, and VRM
- Redundant Ethernet capabilities with failover support
- Redundant hot-swap power supplies
- Redundant network interface card (NIC) support
- Remind button to temporarily turn off the system-error LED on the optional advanced operator information panel
- ROM-based diagnostics
- ROM checksums
- Serial Presence Detection (SPD) on memory, VPD on system board, power supply, and hard disk drive or solid state drive backplanes, microprocessor and memory expansion tray, and Ethernet cards
- Single-DIMM isolation of excessive correctable error or multi-bit error by the Unified Extensible Firmware Interface (UEFI)
- Standby voltage for system-management features and monitoring
- Startup (boot) from LAN through remote initial program load (RIPL) or dynamic host configuration protocol/boot protocol (DHCP/BOOTP)
- System auto-configuring from the configuration menu
- System-error logging (POST and IMM)
- Systems-management monitoring through the Inter-Integrated Circuit (I2C) protocol bus
- Uncorrectable error (UE) detection
- Upgradeable POST, Unified Extensible Firmware Interface (UEFI), diagnostics, IMM firmware, and read-only memory (ROM) resident code, locally or over the LAN
- Vital product data (VPD) on microprocessors, system board, power supplies, and SAS/SATA (hot-swap hard disk drive) backplane
- Wake on LAN capability

Systems Director

Systems Director is a platform-management foundation that streamlines the way you manage physical and virtual systems in a heterogeneous environment. By using industry standards, Systems Director supports multiple operating systems and virtualization technologies in Lenovo and non-Lenovo x86 platforms.

Through a single user interface, Systems Director provides consistent views for viewing managed systems, determining how these systems relate to one other, and identifying their statuses, helping to correlate technical resources with business needs. A set of common tasks that are included with Systems Director provides many of the core capabilities that are required for basic management, which means instant out-of-the-box business value. The common tasks include the following:

- Discovery
- Inventory
- Configuration
- System health
- Monitoring
- Updates
- Event notification
- Automation for managed systems

The Systems Director Web and command-line interfaces provide a consistent interface that is focused on driving these common tasks and capabilities:

- Discovering, navigating, and visualizing systems on the network with the detailed inventory and relationships to the other network resources
- Notifying users of problems that occur on systems and the ability to isolate the sources of the problems
- Notifying users when systems need updates and distributing and installing updates on a schedule
- Analyzing real-time data for systems and setting critical thresholds that notify the administrator of emerging problems
- Configuring settings of a single system and creating a configuration plan that can apply those settings to multiple systems
- Updating installed plug-ins to add new features and functions to the base capabilities
- Managing the life cycles of virtual resources

For more information about Systems Director, see the Systems Director Information Center at http://pic.dhe.ibm.com/infocenter/director/pubs/index.jsp?topic=%2Fcom.ibm.director.main.helps.doc%2Ffqm0_main.html, and the Systems Management web page at <http://shop.lenovo.com/us/en/systems/solutions/>, which presents an overview of Systems Management and Systems Director.

Server controls, LEDs, and power

This section describes the controls and light-emitting diodes (LEDs) and how to turn the server on and off.

For the locations of other LEDs on the system board, see “[System-board LEDs](#)” on page 30.

Front view

The following illustration shows the controls, LEDs, and connectors on the front of the hot-swap server model.

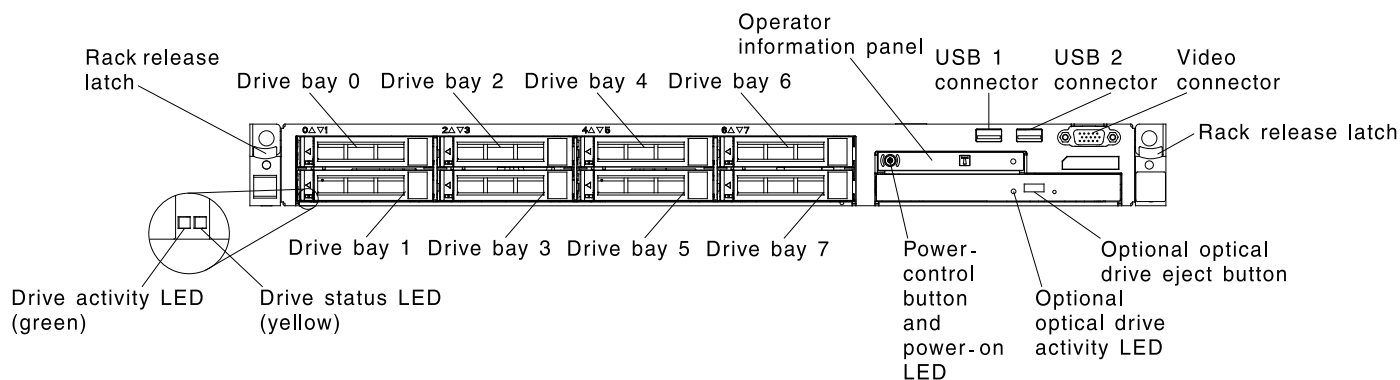


Figure 5. Front view of server

- **Rack release latches:** Press the latches on each front side of the server to slide it out of the rack.
- **Hard disk drive status LEDs:** These LEDs are used on hot-swap SAS or SATA hard disk drives. When one of these LED are lit, it indicates that the drive has failed. If an optional IBM ServeRAID controller is installed in the server, when this LED is flashing slowly (one flash per second), it indicates that the drive is being rebuilt. When the LED is flashing rapidly (three flashes per second), it indicates that the controller is identifying the drive.
- **Hard disk drive activity LEDs:** These LEDs are used on SAS or SATA hard disk drives. Each hot-swap drive has an activity LED, and when this LED is flashing, it indicates that the drive is in use.
- **CD-RW/DVD eject button (Optional):** Press this button to release a DVD or CD from the CD/DVD drive.
- **CD-RW/DVD drive activity LED (Optional):** When this LED is lit, it indicates that the CD-RW/DVD drive is in use.
- **Operator information panel:** This panel contains controls and LEDs that provide information about the status of the server. For information about the controls and LEDs on the operator information panel, see [“Operator information panel” on page 16](#).
- **Operator information panel release button (Optional):** This release button is on the advanced operator information panel. Push the blue release button and pull out the light path diagnostics panel to view the light path diagnostics LEDs and buttons. See [“Operator information panel” on page 16](#), [“Light path diagnostics” on page 113](#), and [“Light path diagnostics LEDs” on page 117](#) for more information about light path diagnostics.
- **Video connector:** Connect a monitor to this connector. The video connectors on the front and rear of the server can be used simultaneously.

Note: The maximum video resolution is 1600 x 1200 at 75 Hz.
- **USB connectors:** Connect a USB device, such as a USB mouse, keyboard, or other device, to any of these connectors.

Operator information panel

The following illustrations show the location of the operator information panel and the LEDs on the operator information panel respectively.

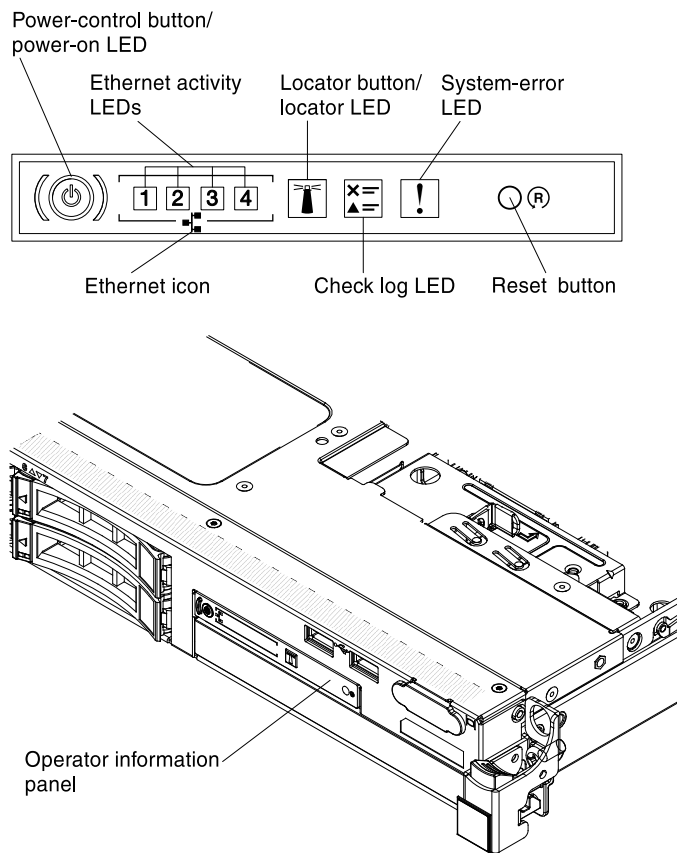


Figure 6. Operator information panel

- **Power-control button and power-on LED:** Press this button to turn the server on and off manually or to wake the server from a reduced-power state. The states of the power-on LED are as follows:
 - **Off:** AC power is not present, or the power supply or the LED itself has failed.
 - **Flashing rapidly (4 times per second):** The server is turned off and is not ready to be turned on. The power-control button is disabled. This lasts approximately 1 to 3 minutes.
 - **Flashing slowly (once per second):** The server is turned off and is ready to be turned on. You can press the power-control button to turn on the server.
 - **Lit:** The server is turned on.
 - **Fading on and off:** The server is in a reduced-power state. To wake the server, press the power-control button or use the IMM web interface. See [“Logging on to the Web interface” on page 96](#) for information on logging on to the IMM web interface.
- **Ethernet activity LEDs:** When any of these LEDs is flashing or flickering, it indicates that the server is transmitting to or receiving signals from the Ethernet LAN that is connected to the Ethernet port that corresponds to that LED.
- **Locator button/LED:** Use this blue LED to visually locate the server among other servers. This LED is also used as a presence detection button. You can use IBM Systems Director to light this LED remotely. This LED is controlled by the IMM. When you press the locator button, the LED will be lit and it will continue to be lit until you press it again to turn it off. Press the locator button to visually locate the server among the others servers. It is also used as the physical presence for the Trusted Platform Module (TPM).
- **Log LED:** When this yellow LED is lit, it indicates that a noncritical event has occurred. Check the system-event log for additional information. See [“Error messages” on page 129](#) for more information about event logs.

- **System-error LED:** When this yellow LED is lit, it indicates that a system error has occurred. A system-error LED is also on the rear of the server. An LED on the light path diagnostics panel on the operator information panel is also lit to help isolate the error. This LED is controlled by the IMM.
- **Reset button:** Press this button to reset the server and run the power-on self-test (POST). You might have to use a pen or the end of a straightened paper clip to press the button.

Note: All the operator information is on the operator information panel already. You do not need to pull the panel out for obtaining more information.

Light path diagnostics panel

The following illustration shows the optional advanced light path diagnostics panel.

The light path diagnostics panel is available on the top of the advanced operator information panel. For additional information about the light path diagnostics and LEDs on the light path diagnostics panel, see [“Light path diagnostics” on page 113](#) and [“Light path diagnostics LEDs” on page 117](#).

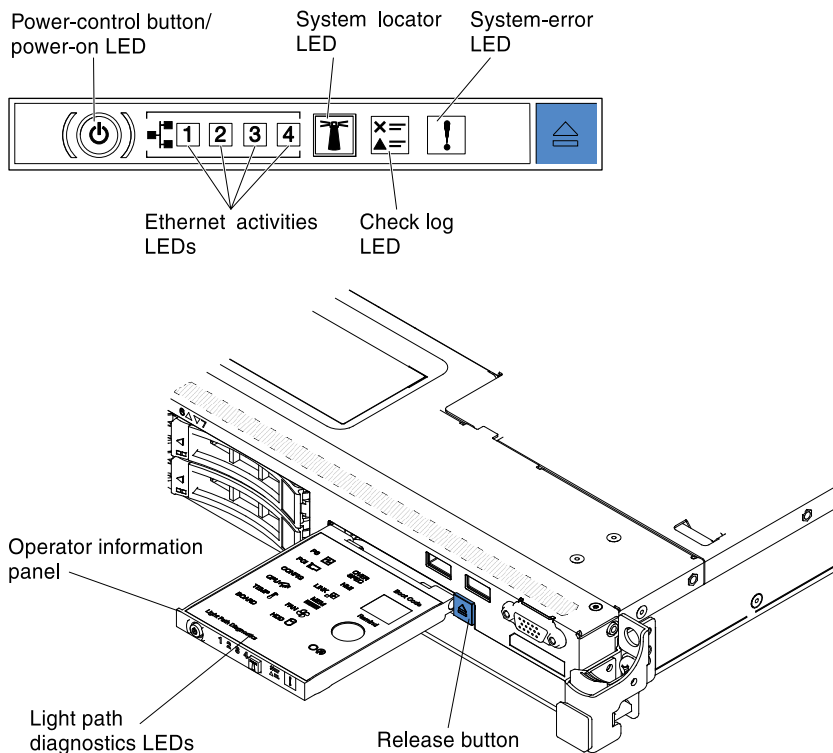


Figure 7. Light path diagnostics panel

To access the optional advanced light path diagnostics panel, push the blue release button on the advanced operator information panel. Pull forward on the unit until the hinge of the operator panel is free of the server chassis. Then pull down on the unit, so that you can view the light path diagnostics panel information.

Note: When you slide the optional advanced light path diagnostics panel out of the server to check the LEDs, do not run the server continuously with light path diagnostics panel outside of the server. The panel should only be outside of the server a short time. The optional advanced light path diagnostics panel must remain in the server when the server is running to ensure proper cooling.

The following illustration shows the LEDs and controls on the light path diagnostics panel.

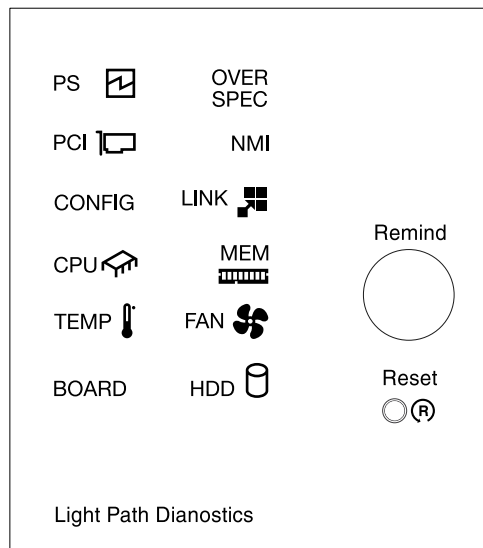


Figure 8. LEDs and controls on the light path diagnostics panel

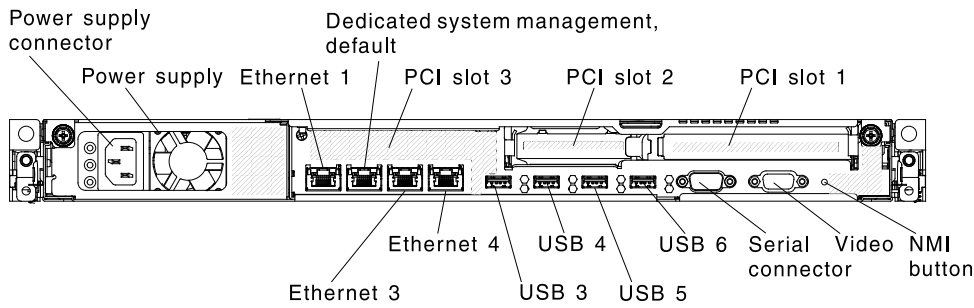
- **Remind button:** This button places the system-error/Check Log LED on the front panel into Remind mode. In Remind mode, the system-error LED flashes once every 2 seconds until the problem is corrected, the server is restarted, or a new problem occurs. By placing the system-error LED indicator in Remind mode, you acknowledge that you are aware of the last failure but will not take immediate action to correct the problem.
- **Reset button:** Press this button to reset the server and run the power-on self-test (POST). You might have to use a pen or the end of a straightened paper clip to press the button.

Rear view

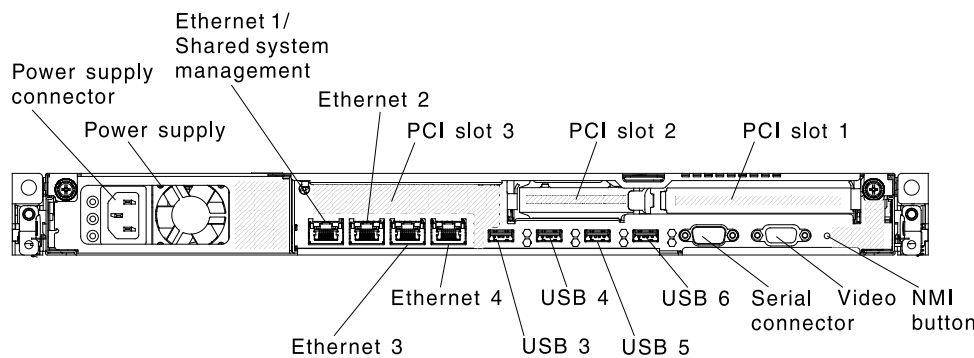
The following illustrations show the connectors and LEDs on the rear of the server.

The following illustrations show the connectors on the rear of the server.

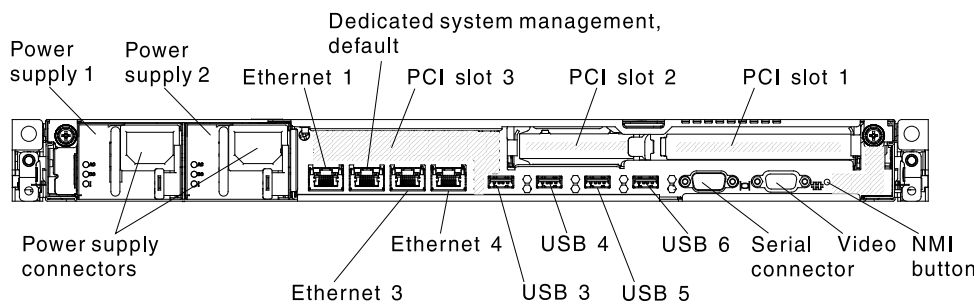
IMM Network Interface Port, Dedicated



IMM Network Interface Port, Shared



IMM Network Interface Port, Dedicated



IMM Network Interface Port, Shared

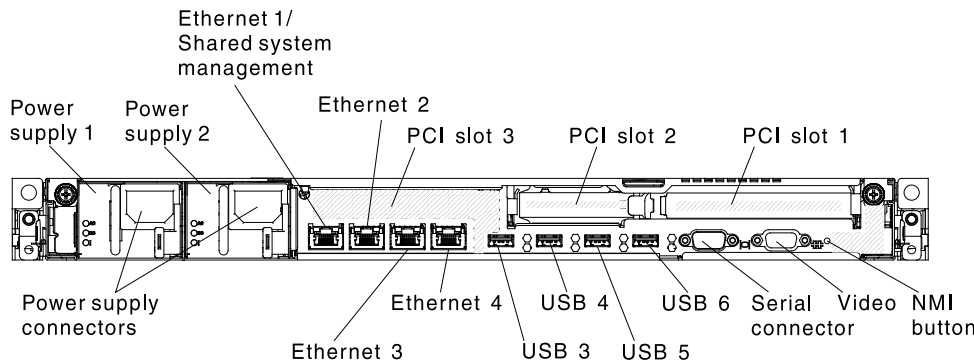


Figure 9. Rear view of server

The following illustrations show the locations of the power-supply LEDs for fixed and redundant models respectively on the rear of the server.

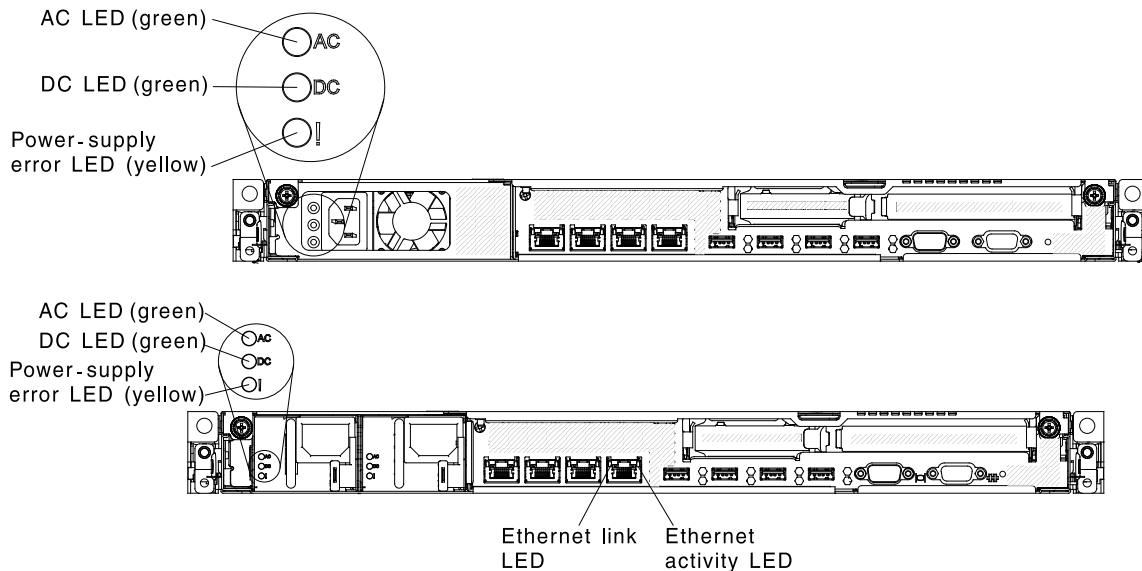


Figure 10. The LEDs on the rear of the server

- **PCI riser slot 1:** Insert a full-height, half-length PCI Express adapter into this slot. See [“Installing an adapter” on page 49](#) for the supported adapters for these riser-cards.
- **PCI riser slot 2:** Insert a low-profile PCI Express adapter into this slot. See [“Installing an adapter” on page 49](#) for information about adapters that this riser card support.
- **Power connector:** Connect the power cord to this connector.
- **AC power LED:** Each power supply has an ac power LED and a dc power LED. When the ac power LED is lit, it indicates that sufficient power is being supplied to the power supply through the power cord. During normal operation, both the ac and dc power LEDs are lit. For any other combination of LEDs, see [“Power-supply LEDs” on page 122](#).
- **DC power LED:** Each power supply has a dc power LED and an ac power LED. When the dc power LED is lit, it indicates that the power supply is supplying adequate dc power to the system. During normal operation, both the ac and dc power LEDs are lit. For any other combination of LEDs, see [“Power-supply LEDs” on page 122](#).
- **Power-supply error LED:** Each power supply has an ac power LED and a dc power LED. When the power-supply error LED is lit, it indicates that the power supply has failed.
- **Video connector:** Connect a monitor to this connector. The video connectors on the front and rear of the server can be used simultaneously.

Note: The maximum video resolution is 1600 x 1200 at 75 Hz.

- **Serial connector:** Connect a 9-pin serial device to this connector. The serial port is shared with the integrated management module (IMM2). The IMM2 can take control of the shared serial port to redirect serial traffic, using Serial over LAN (SOL).
- **USB connectors:** Connect a USB device to any of these connectors.
- **Ethernet activity LEDs:** When these LEDs are lit, they indicate that the server is transmitting to or receiving signals from the Ethernet LAN that is connected to the Ethernet port.
- **Ethernet link LEDs:** When these LEDs are lit, they indicate that there is an active link connection on the 10BASE-T, 100BASE-TX, or 1000BASE-TX interface for the Ethernet port.

- **Ethernet and system-management connectors:**

- IMM2 dedicated mode (default): In this mode, which is the default setting for the server, the Ethernet 2 connector connects to a network for full systems-management information control. A dedicated management network provides additional security by physically separating the management network traffic from the production network. Meanwhile, the Ethernet 1, Ethernet 3 and Ethernet 4 connectors are used to connect to the production network. See [“Using the Setup utility” on page 85](#) for more information.
- IMM2 shared mode: In this mode, the Ethernet 1 connector is used to connect to a network for full systems-management information control and production network. See [“Using the Setup utility” on page 85](#) for more information.

Note: The IMM2 network must operate at 100 Mbps full duplex. The IMM2 network connection does not support Gigabit Ethernet. However, in shared mode the production Ethernet network still operates at Gigabit speeds.

Table 2. UEFI settings for remote access to the IMM

UEFI mode	Ethernet Port 1	Ethernet Port 2	Ethernet Port 3 (optional)	Ethernet Port 4 (optional)
IMM network interface port dedicated (default)	Production Ethernet	IMM2 dedicated (please see note)	Production Ethernet	Production Ethernet
IMM network interface port shared	Shared - Production Gb Ethernet and IMM2 (please see note)	Production Ethernet	Production Ethernet	Production Ethernet

Note: The IMM network is limited to 100 Mbps full duplex.

Server power features

When the server is connected to a suitable input source but is not turned on, the operating system does not run, and all core logic except for the service processor (the integrated management module) is shut down.

However, the server can respond to requests to the service processor, such as a remote request to turn on the server. The power-on LED flashes to indicate that the server is connected to ac power but is not turned on.

Turning on the server

Use this information to turn on the server.

Approximately 5 seconds after the server is connected to ac power, one or more fans might start running to provide cooling while the server is connected to power and the power-on button LED will blink quickly. Approximately 1 to 3 minutes after the server is connected to ac power, the power-control button becomes active (the power-on LED will blink slowly), and one or more fans might start running to provide cooling while the server is connected to power. You can turn on the server by pressing the power-control button.

The server can also be turned on in any of the following ways:

- If a power failure occurs while the server is turned on, the server will restart automatically when power is restored.
- If your operating system supports the Wake on LAN feature, the Wake on LAN feature can turn on the server.

Note: When 4 GB or more of memory (physical or logical) is installed, some memory is reserved for various system resources and is unavailable to the operating system. The amount of memory that is reserved for system resources depends on the operating system, the configuration of the server, and the configured PCI options.

Turning off the server

Use this information to turn off the server.

When you turn off the server and leave it connected to ac power, the server can respond to requests to the service processor, such as a remote request to turn on the server. While the server remains connected to ac power, one or more fans might continue to run. To remove all power from the server, you must disconnect it from the power source.

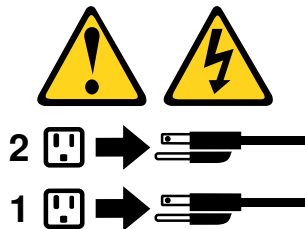
Some operating systems require an orderly shutdown before you turn off the server. See your operating-system documentation for information about shutting down the operating system.

Statement 5



CAUTION:

The power control button on the device and the power switch on the power supply do not turn off the electrical current supplied to the device. The device also might have more than one power cord. To remove all electrical current from the device, ensure that all power cords are disconnected from the power source.



The server can be turned off in any of the following ways:

- You can turn off the server from the operating system, if your operating system supports this feature. After an orderly shutdown of the operating system, the server will turn off automatically.
- You can press the power-control button to start an orderly shutdown of the operating system and turn off the server, if your operating system supports this feature.
- If the operating system stops functioning, you can press and hold the power-control button for more than 4 seconds to turn off the server.
- The integrated management module (IMM) can turn off the server as an automatic response to a critical system failure.

Chapter 2. Installing optional devices

This chapter provides detailed instructions for installing optional hardware devices in the server.

In addition to the instructions in this chapter for installing optional hardware devices, updating the firmware and device drivers, and completing the installation, IBM Business Partners must also complete the steps in [“Instructions for Business Partners” on page 25](#).

Important: To help ensure that the devices that you install work correctly and do not introduce problems, observe the following precautions:

1. Make sure that the server and the installed firmware levels support the devices that you are installing. If necessary, update the UEFI and IMM firmware and any other firmware that is stored on the system board. For information about where firmware is stored in the server, see [“Updating the firmware” on page 81](#). For a list of supported optional devices for the server, go to <http://www.lenovo.com/serverproven/>.
2. Before you install optional hardware devices, make sure that the server is working correctly. Start the server and make sure that the operating system starts, if an operating system is installed, or that a 19990305 error code is displayed, indicating that an operating system was not found but the server is otherwise working correctly. If the server is not working correctly, see [“Running the DSA Preboot diagnostic programs” on page 128](#) for information about how to run diagnostics.
3. Follow the installation procedures in this chapter and use the correct tools. Incorrectly installed device can cause system failure because of damaged pins in sockets or connectors, loose cabling, or loose components.
4. Use the best practices to apply current firmware and device-driver updates for the server and optional devices. To download the *IBM System x Firmware Update Best Practices* document, go to www.ibm.com/support/entry/portal/docdisplay?Indocid=MIGR-5082923&brandind=5000008. Additional hints and tips are available from the following sites:
 - IBM support: <http://www.lenovo.com/support>
 - System x configuration tools: [http://shop.lenovo.com/us/en/systems/server-library/#comboFilters\[category\]=.Tools](http://shop.lenovo.com/us/en/systems/server-library/#comboFilters[category]=.Tools)

Installing optional hardware devices in the server

This following sections provide detailed instructions for installing optional hardware devices in the server.

Instructions for Business Partners

Instructions for Business Partners on verifying the newly installed devices by running the Dynamic System Analysis (DSA) stress test.

In addition to the instructions in this chapter for installing optional hardware devices, updating firmware and device drivers, and completing the installation, Business Partners must also complete the following steps:

1. After you have confirmed that the server starts correctly and recognizes the newly installed devices and that no error LEDs are lit, run the Dynamic System Analysis (DSA) stress test. For information about using DSA, see [“Dynamic System Analysis” on page 126](#).
2. Shut down and restart the server multiple times to ensure that the server is correctly configured and functions correctly with the newly installed devices.
3. Save the DSA log as a file and send it to Lenovo. For information about transferring data and logs, see [“How to send DSA data” on page 760](#).

4. To ship the server, repackage it in the original undamaged packing material and observe procedures for shipping.

Support information for Business Partners is available at <http://www.ibm.com/partnerworld>.

Sending DSA data to Lenovo

You can send DSA data to Lenovo with standard upload, standard upload with the system serial number, secure upload, and secure upload with the system serial number.

Before you send diagnostic data to Lenovo, read the terms of use at <http://www.ibm.com/de/support/ecurep/terms.html>.

Step 1. You can use any of the following methods to send diagnostic data to Lenovo:

- **Standard upload:** http://www.ibm.com/de/support/ecurep/send_http.html
- **Standard upload with the system serial number:** http://www.ecurep.ibm.com/app/upload_hw
- **Secure upload:** http://www.ibm.com/de/support/ecurep/send_http.html#secure
- **Secure upload with the system serial number:** http://www.ecurep.ibm.com/app/upload_hw

Server components

The following illustration shows the major components in the server.

The illustrations in this document might differ slightly from your hardware.

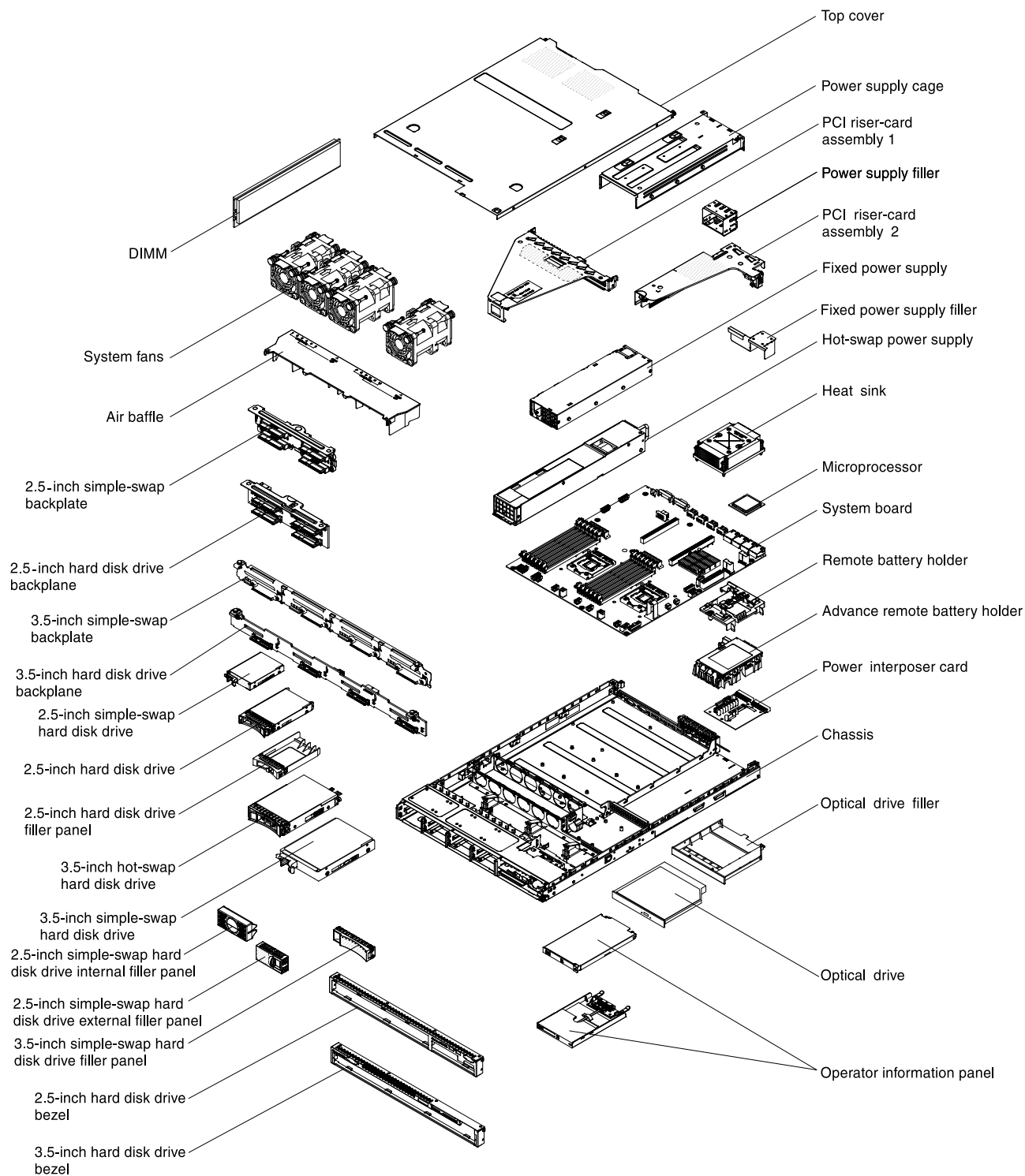


Figure 11. Server components

Blue on a component indicates touch points, where you can grip the component to remove it from or install it in the server, open or close a latch, and so on.

Orange on a component or an orange label on or near a component indicates that the component can be hot-swapped, which means that if the server and operating system support hot-swap capability, you can

remove or install the component while the server is running. (Orange can also indicate touch points on hot-swap components.) See the instructions for removing or installing a specific hot-swap component for any additional procedures that you might have to perform before you remove or install the component.

Server internal LEDs, connectors, and jumpers

The illustrations in this section show the connectors, LEDs, and jumpers on the internal boards.

The illustrations might differ slightly from your hardware.

System-board internal connectors

The following illustrations show the internal connectors on the system board.

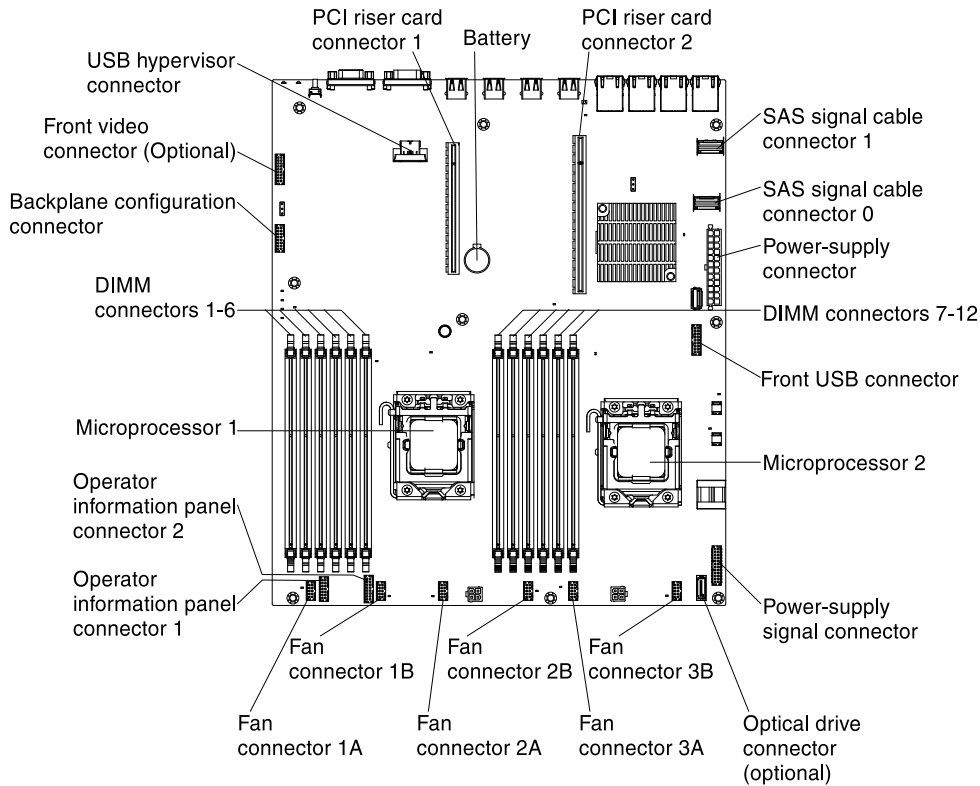


Figure 12. Internal connectors on system board

System-board external connectors

The following illustration shows the external connectors on the system board.

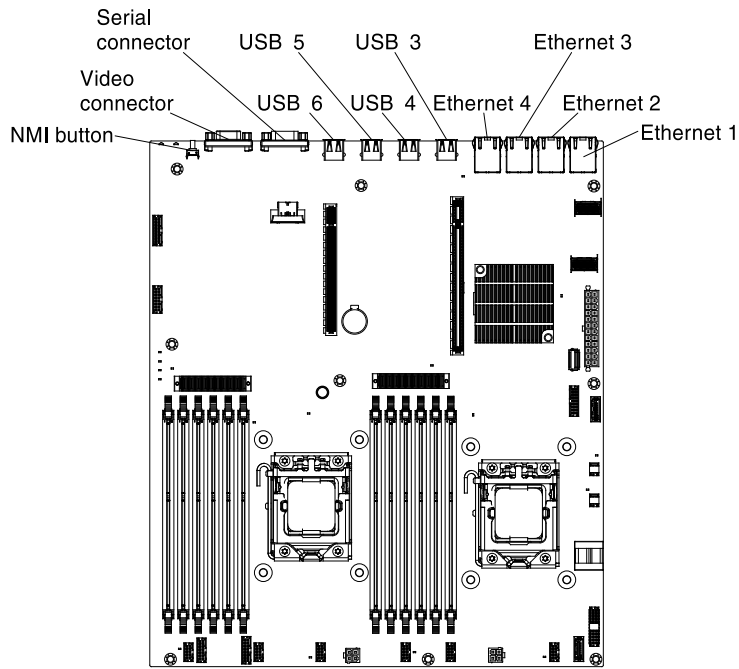


Figure 13. External connectors on system board

System-board jumpers

The following illustration shows the location and description of the switches and jumpers.

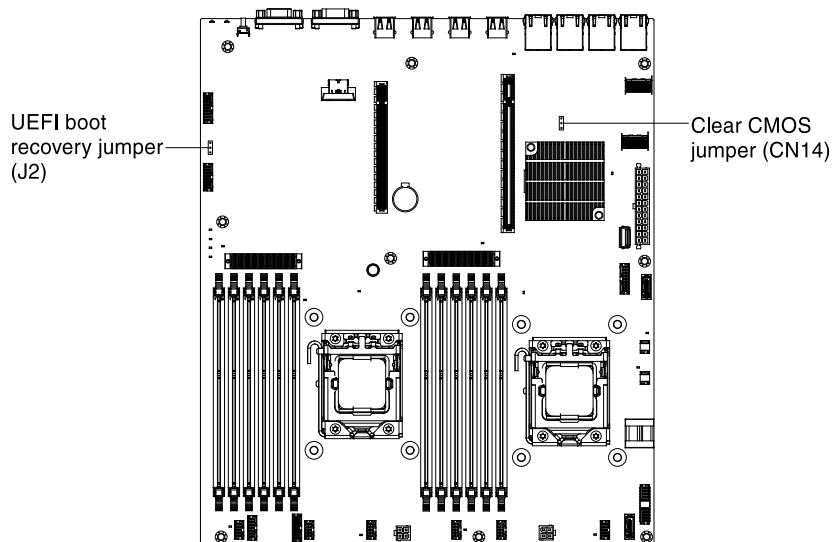


Figure 14. Location and description of switches and jumpers

The following table describes the jumper on the system board.

Table 3. System board jumpers

Jumper number	Jumper name	Jumper setting
CN14	Clear CMOS jumper	<ul style="list-style-type: none"> • Pins 1 and 2: Normal (default) This keeps the CMOS data. • Pins 2 and 3: This clears the CMOS data such as power-on password and loads the default UEFI settings.
J2	UEFI boot recovery jumper	<ul style="list-style-type: none"> • Pins 1 and 2: Normal (default) Loads the primary server firmware ROM page. • Pins 2 and 3: Loads the secondary (backup) server firmware ROM page.
<p>Notes:</p> <ol style="list-style-type: none"> 1. If no jumper is present, the server responds as if the pins are set to 1 and 2. 2. Changing the position of the UEFI boot recovery jumper from pins 1 and 2 to pins 2 and 3 before the server is turned on alters which flash ROM page is loaded. Do not change the jumper pin position after the server is turned on. This can cause an unpredictable problem. 		

Important:

1. Before you change any switch settings or move any jumpers, turn off the server; then, disconnect all power cords and external cables. Review the information in [“Safety” on page v](#), [“Installation guidelines” on page 33](#), [“Handling static-sensitive devices” on page 35](#), and [“Turning off the server” on page 23](#).
2. Any system-board switch or jumper blocks that are not shown in the illustrations in this document are reserved.

System-board LEDs

The following illustration shows the light-emitting diodes (LEDs) on the system board.

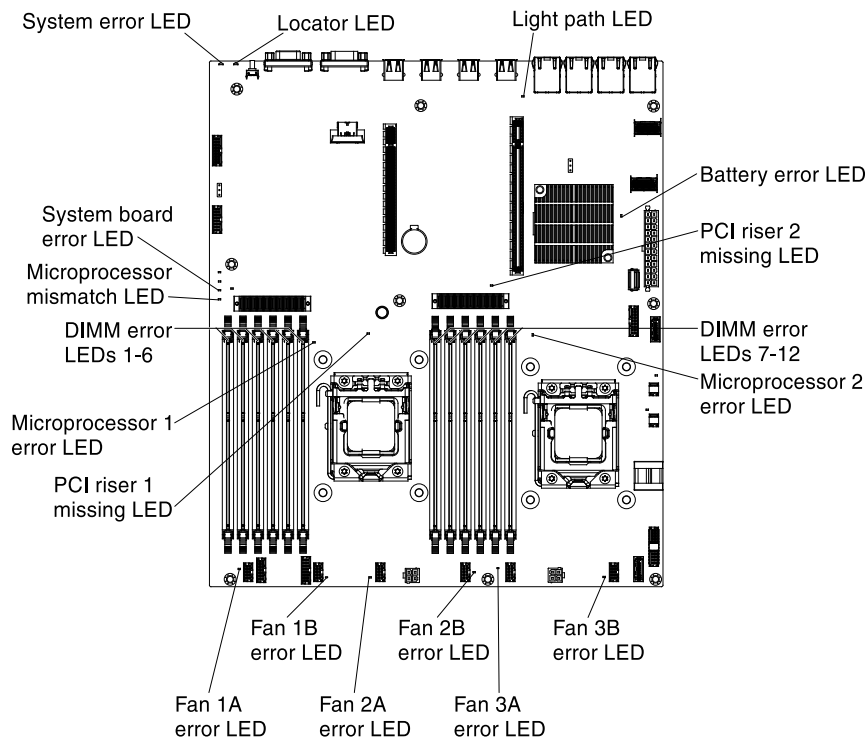


Figure 15. LEDs and controls on system board

System-board optional device connectors

The following illustration shows the connectors on the system board for user-installable optional devices.

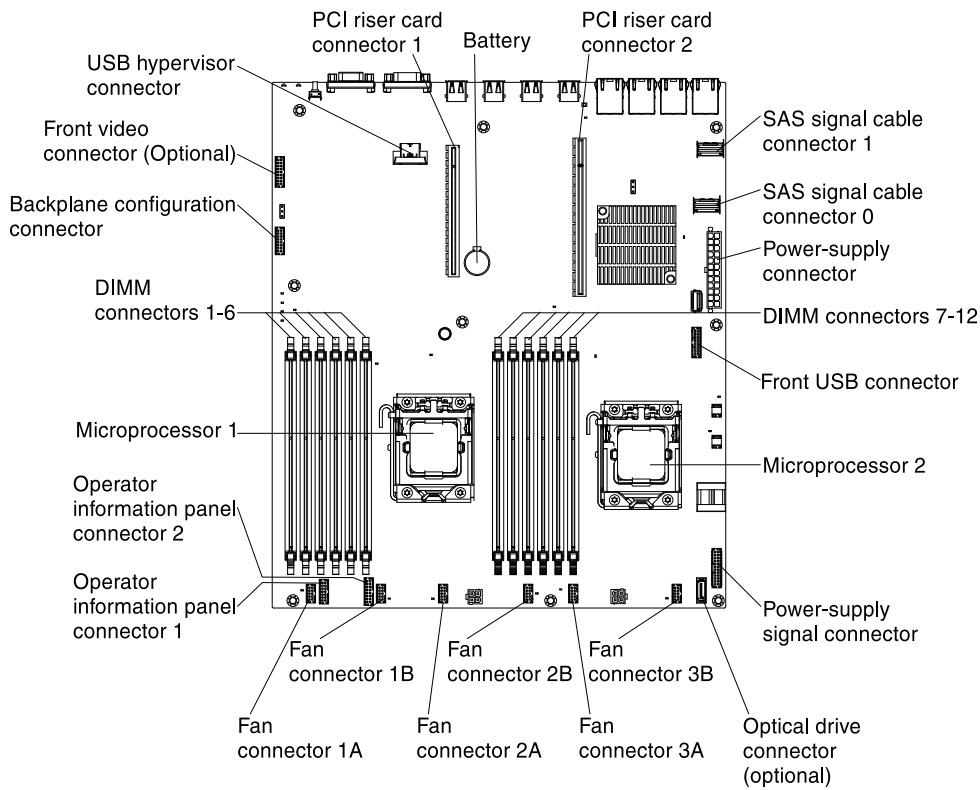


Figure 16. LEDs and controls on system board

PCI riser cards

The following illustrations show the connectors on the PCI riser cards in the riser-card assemblies.

The server comes with one PCI riser-card assembly installed in PCI riser connector 1. The riser-card assembly provides either one or two PCI slots, depending on the server model. The following illustrations shows the connectors on PCI riser-card assembly 1.

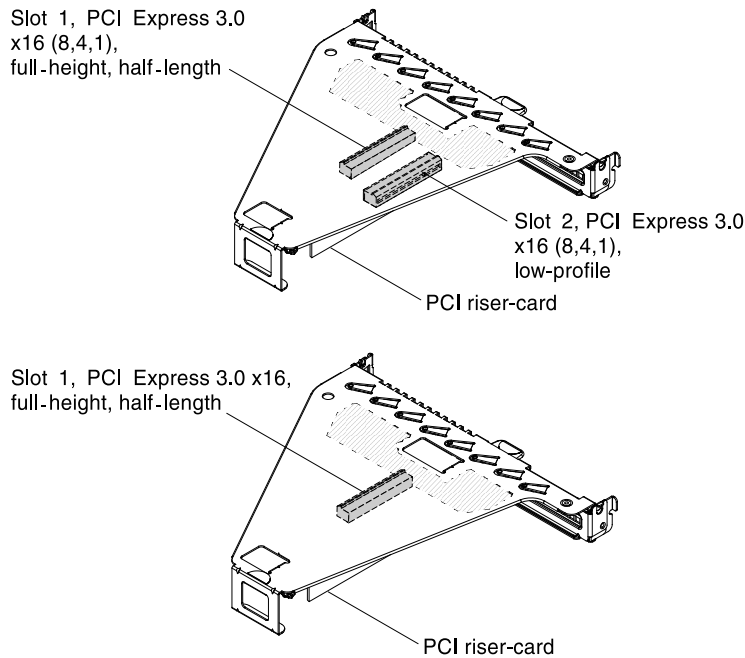


Figure 17. Connectors on PCI riser-card assembly 1

The optional PCI riser-card assembly 2 is dedicated for an internal ServeRAID adapter. If your server does not come with PCI riser-card assembly 2, you may order it for hardware RAID upgrade or for installing additional hard disk drives.

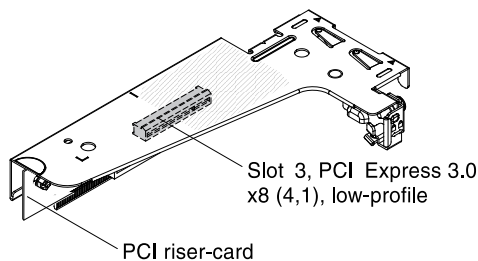


Figure 18. Connectors on PCI riser-card assembly 2

Installation guidelines

Use the installation guidelines to install the IBM System x3530 M4 Type 7160.

Attention: Static electricity that is released to internal server components when the server is powered-on might cause the system to halt, which might result in the loss of data. To avoid this potential problem, always use an electrostatic-discharge wrist strap or other grounding system when removing or installing a hot-swap devices.

Before you install optional devices, read the following information:

- Read the safety information that begins in “[Safety](#)” on page v and the guidelines in “[Handling static-sensitive devices](#)” on page 35. This information will help you work safely.
- Make sure that the devices that you are installing are supported.
- Make sure that the devices that you are installing are supported. For a list of supported optional devices for the server, go to <http://www.lenovo.com/serverproven/>.

- When you install your new server, take the opportunity to download and apply the most recent firmware updates. This step will help to ensure that any known issues are addressed and that your server is ready to function at maximum levels of performance. To download firmware updates for your server, go to <http://www.ibm.com/support/fixcentral>.

Important: Some cluster solutions require specific code levels or coordinated code updates. If the device is part of a cluster solution, verify that the latest level of code is supported for the cluster solution before you update the code.

For additional information about tools for updating, managing, and deploying firmware, see the ToolsCenter for System x and BladeCenter at <https://support.lenovo.com/us/en/documents/LNVO-CENTER>.

- Before you install optional hardware, make sure that the server is working correctly. Start the server, and make sure that the operating system starts, if an operating system is installed, or that a 19990305 error code is displayed, indicating that an operating system was not found but the server is otherwise working correctly. If the server is not working correctly, see “[Running the DSA Preboot diagnostic programs](#)” on [page 128](#) for information about how to run diagnostics.
- Observe good housekeeping in the area where you are working. Place removed covers and other parts in a safe place.
- Do not attempt to lift an object that you think is too heavy for you. If you have to lift a heavy object, observe the following precautions:
 - Make sure that you can stand safely without slipping.
 - Distribute the weight of the object equally between your feet.
 - Use a slow lifting force. Never move suddenly or twist when you lift a heavy object.
 - To avoid straining the muscles in your back, lift by standing or by pushing up with your leg muscles.
- Make sure that you have an adequate number of properly grounded electrical outlets for the server, monitor, and other devices.
- Back up all important data before you make changes to disk drives.
- Have a small flat-blade screwdriver available.
- To view the error LEDs on the system board and internal components, leave the server connected to power.
- You do not have to turn off the server to install or replace hot-swap power supplies, hot-swap fans, or hot-plug Universal Serial Bus (USB) devices. However, you must turn off the server before you perform any steps that involve removing or installing adapter cables and you must disconnect the power source from the server before you perform any steps that involve removing or installing a riser card.
- Blue on a component indicates touch points, where you can grip the component to remove it from or install it in the server, open or close a latch, and so on.
- Orange on a component or an orange label on or near a component indicates that the component can be hot-swapped, which means that if the server and operating system support hot-swap capability, you can remove or install the component while the server is running. (Orange can also indicate touch points on hot-swap components.) See the instructions for removing or installing a specific hot-swap component for any additional procedures that you might have to perform before you remove or install the component.
- When you are finished working on the server, reinstall all safety shields, guards, labels, and ground wires.

System reliability guidelines

The system reliability guidelines to ensure proper system cooling.

To help ensure proper system cooling and system reliability, make sure that the following requirements are met:

- Each of the drive bays has a drive or a filler panel and electromagnetic compatibility (EMC) shield installed in it.
- If the server has redundant power, each of the power-supply bays has a power supply installed in it.
- There is adequate space around the server to allow the server cooling system to work properly. Leave approximately 50 mm (2.0 in.) of open space around the front and rear of the server. Do not place objects in front of the fans. For proper cooling and airflow, replace the server cover before you turn on the server.
- You have followed the cabling instructions that come with optional adapters.
- You have replaced a failed fan within 48 hours.
- You have replaced a hot-swap drive within 2 minutes of removal.
- You do not operate the server without the air baffles installed. Operating the server without the air baffles might cause the microprocessor to overheat.

Handling static-sensitive devices

Use this information to handle static-sensitive devices.

Attention: Static electricity can damage the server and other electronic devices. To avoid damage, keep static-sensitive devices in their static-protective packages until you are ready to install them.

To reduce the possibility of damage from electrostatic discharge, observe the following precautions:

- Limit your movement. Movement can cause static electricity to build up around you.
- Handle the device carefully, holding it by its edges or its frame.
- Do not touch solder joints, pins, or exposed circuitry.
- Do not leave the device where others can handle and damage it.
- While the device is still in its static-protective package, touch it to an unpainted metal surface on the outside of the server for at least 2 seconds. This drains static electricity from the package and from your body.
- Remove the device from its package and install it directly into the server without setting down the device. If it is necessary to set down the device, put it back into its static-protective package. Do not place the device on the server cover or on a metal surface.
- Take additional care when handling devices during cold weather. Heating reduces indoor humidity and increases static electricity.

Removing the server top cover

Use this information to remove the cover.

To remove the server top cover, complete the following steps:

- Step 1. Read the safety information that begins in [“Safety” on page v](#) and [“Installation guidelines” on page 33](#).
- Step 2. Turn off the server (see [“Turning off the server” on page 23](#)) and all attached peripheral devices. Disconnect all power cords; then, disconnect all external cables as necessary to replace the device.
- Step 3. If the server has been installed in a rack, press the two release latches on the front of the server and remove the server out of the rack enclosure.

Attention: Two or more people are required to remove the system from a rack cabinet.

- Step 4. Loosen the two thumbscrews that secure the cover to the rear of the server.

Step 5. Press on the two blue grip points and slide the cover toward the rear; then, lift the cover off the server and set it aside.

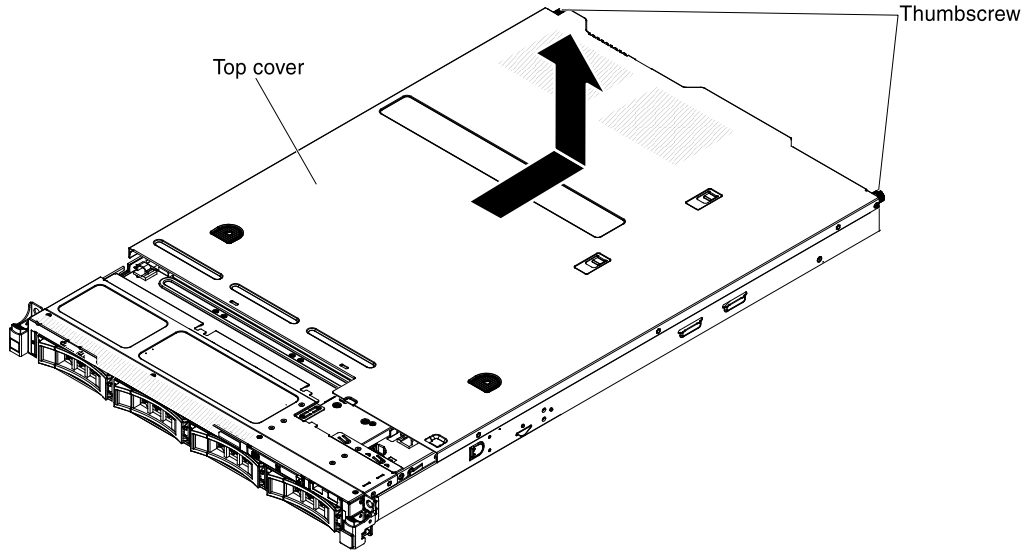


Figure 19. Cover removal

If you have other devices to install or remove, do so now. Otherwise, go to [“Completing the installation” on page 75](#).

Removing the air baffle

Use this information to remove the air baffle.

To remove the air baffle, complete the following steps:

- Step 1. Read the safety information that begins in [“Safety” on page v](#) and [“Installation guidelines” on page 33](#).
- Step 2. Turn off the server (see [“Turning off the server” on page 23](#)) and all attached peripheral devices. Disconnect all power cords; then, disconnect all external cables from the server.
- Step 3. Remove the top cover (see [“Removing the server top cover” on page 35](#)).
- Step 4. Lift the air baffle from the server and set it aside.

Attention: For proper cooling and airflow, replace the air baffle before you turn on the server. Operating the server with the air baffle removed might damage server components.

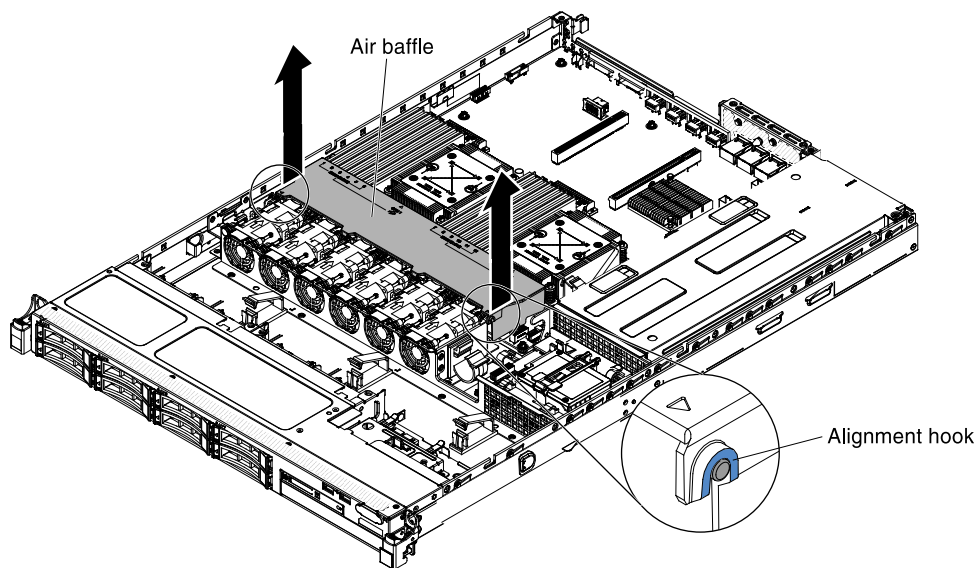


Figure 20. Air baffle removal

If you have other devices to install or remove, do so now. Otherwise, go to “[Completing the installation](#)” on page 75.

Installing a memory module

The following notes describe the types of DIMMs that the server supports and other information that you must consider when you install DIMMs.

- Confirm that the server supports the DIMM that you are installing, see <http://www.lenovo.com/serverproven/>.
- The server supports only industry-standard double-data-rate 3 (DDR3), 1066 MHz PC3-8500, 1333 MHz PC3-10600, or 1600 MHz PC3-12800, (single-rank, dual-rank, or quad-rank in specified models), registered or unbuffered, synchronous dynamic random-access memory (SDRAM) dual inline memory modules (DIMMs) with error correcting code (ECC).
 - The specifications of a DDR3 DIMM are on a label on the DIMM, in the following format. *gggggRxff-PC3v-wwwwwm-aa-bb-ccd*

where:

- *ggggg* is the total capacity of the DIMM (for example, 1GB, 2GB, or 4GB)
- *eR* is the number of ranks
 - 1R = single-rank
 - 2R = dual-rank
 - 4R = quad-rank
- *x ff* is the device organization or bit width (for example, x4, x8, or x16)
 - 4 = x4 organization (4 DQ lines per SDRAM)
 - 8 = x8 organization
 - 16 = x16 organization
- *wwwww* is the DIMM bandwidth, in MBps
 - 8500 = 8.53 GBps (DDR3-1066 SDRAMs, 8-byte primary data bus)

10600 = 10.66 GBps (DDR3-1333 SDRAMs, 8-byte primary data bus)
 12800 = 12.80 GBps (DDR3-1600 SDRAMs, 8-byte primary data bus)
 14900 = 14.93 GBps (DDR3-1866 SDRAMs, 8 byte primary data bus)
 17000 = 17.06 GBps (DDR3-2133 SDRAMs, 8 byte primary data bus)

- *m* is the DIMM type
 - E = Unbuffered DIMM (UDIMM) with ECC (x72-bit module data bus)
 - R = Registered DIMM (RDIMM)
 - U = Unbuffered DIMM with no ECC (x64-bit primary data bus)
- *aa* is the DDR3 SDRAM CAS latency, in clocks at maximum operating frequency
- *bb* is the JEDEC SPD Revision Encoding and Additions level
- *cc* is the reference design file for the design of the DIMM
- *d* is the revision number of the reference design of the DIMM

Note: To determine the type of a DIMM, see the label on the DIMM. The information on the label is in the format xxxxx nRxxx PC3-xxxxx-xx-xx-xxx. The numeral in the sixth numerical position indicates whether the DIMM is single-rank (n=1) or dual-rank (n=2).

- Do not install registered and unbuffered DIMMs in the same server.
- The server supports 1.35-volt (low-voltage) and 1.5-volt DIMMs. Do not install a 1.35-volt and 1.5-volt DIMM in the same server.
- The server supports a maximum of 12 DIMMs (single-rank, dual-rank, or quad-rank) on the system board. If you mix single-rank, dual-rank, or quad-rank DIMMs in the server, quad-rank DIMMs must be installed first. When one quad-rank DIMM is installed, it must be installed in DIMM slot 1.
- The DIMM options that are available for the server are 2 GB, 4 GB, 8 GB, 16 GB, and 32 GB (when available).
- The server system board supports a minimum of 2 GB and a maximum of 96 GB of system memory.

Note: The amount of usable memory is reduced depending on the system configuration. A certain amount of memory must be reserved for system resources. To view the total amount of installed memory and the amount of configured memory, run the Setup utility. For additional information, see [“Configuring the server” on page 82](#).

- The server system board provides three memory channels for each microprocessor and each memory channel supports up to two DIMMs. The following table lists the DIMM connectors on each memory channel:

Table 4. DIMM connectors on each memory channel

Microprocessor	Channel 0	Channel 1	Channel 2
Microprocessor 1	DIMM connectors 1 and 2	DIMM connectors 3 and 4	DIMM connectors 5 and 6
Microprocessor 2	DIMM connectors 7 and 8	DIMM connectors 9 and 10	DIMM connectors 11 and 12

- The following table shows the DIMM connectors that are associated with each microprocessor:

Table 5. DIMM connectors associated with each microprocessor

Microprocessor	DIMM connectors associated with the microprocessor
Microprocessor 1	1 through 6
Microprocessor 2	7 through 12

- The maximum operating speed of the server is determined by the slowest DIMM installed in the server.
- A minimum of one DIMM must be installed for each microprocessor. For example, you must install a minimum of two DIMMs if the server has two microprocessors installed. That is, one for microprocessor 1 and one for microprocessor 2.
- The server comes with a minimum of one DIMM installed in slot 1. When you install additional DIMMs, install them in the order shown in the information in the following tables to optimize system performance.
- The server supports independent mode, spare channel mode, and mirroring mode.
- **Independent mode:** When you use the independent mode, install DIMMs as indicated in the following tables.
 - The following table lists the DIMM installation sequence for non-mirroring mode when one or two microprocessors is installed in the server:

Table 6. DIMM population sequence (independent mode)

Number of installed microprocessors	DIMM connector population sequence
1	1, 3, 5, 2, 4, 6
2	1, 7, 3, 9, 5, 11, 2, 8, 4, 10, 6, 12

- **Spare channel mode:** When you use the memory mirroring feature, consider the following information:
 - In spare channel mode, one rank is a spare of the other ranks on the same channel. The spare rank is held in reserve and is not available as system memory. The spare rank must have identical or larger memory capacity than all the other ranks (sparing source ranks) on the same channel. After sparing, the sparing source rank will be lost.
 - DIMMs must be installed in sets of three. The DIMMs in each set must be the same size and type.
 - The following table lists the DIMM installation sequence for rank sparing mode when one or two microprocessors is installed in the server:

Table 7. DIMM population sequence (rank sparing mode)

Number of installed microprocessors	DIMM connector population sequence
1	1, 3, 5
	2, 4, 6
2	1, 3, 5
	7, 9, 11
	2, 4, 6
	8, 10, 12

- **Memory-mirroring mode:** When you use the memory mirroring feature, consider the following information:

- Memory-mirroring mode replicates and stores data on two pairs of DIMMs simultaneously. If a failure occurs, the memory controller switches from the primary pair of memory DIMMs to the backup pair of DIMMs. This mirroring provides redundancy in memory but reduces the total memory capacity to one third. Channel 1 DIMM connectors 3, 4, 9, and 10 are not used in memory-mirroring mode. To enable memory mirroring through the Setup utility, select **System Settings** → **Memory**. For more information, see [“Using the Setup utility” on page 85](#).
- DIMMs must be installed in pairs. The DIMMs in each pair must be the same size and type.
- The maximum available memory is reduced to one third of the installed memory when memory mirroring is enabled. For example, if you install 96 GB of memory, only 32 GB of addressable memory is available when you use memory mirroring.
- The following table lists the DIMM installation sequence for memory-mirroring mode when one or two microprocessors is installed in the server:

Table 8. DIMM population sequence (memory-mirroring mode)

Number of installed microprocessors	DIMM connector population sequence
1	3, 5 4, 6
2	3, 5 9, 11 4, 6 10, 12

- When you install or remove DIMMs, the server configuration information changes. When you restart the server, the system displays a message that indicates that the memory configuration has changed.

The following illustration shows the location of the DIMM connectors on the system board.

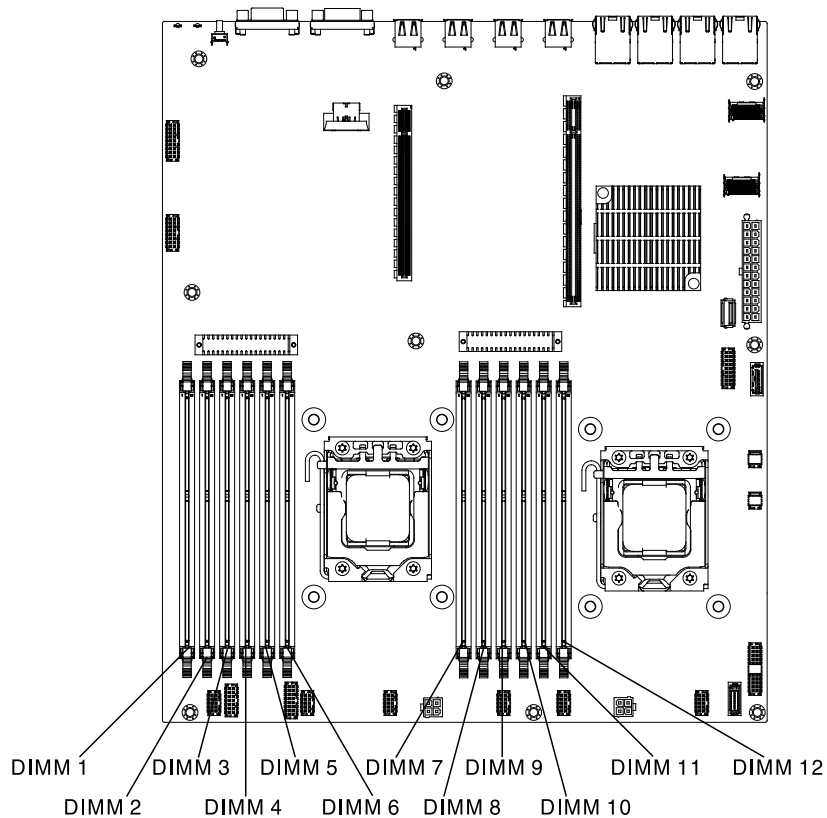


Figure 21. DIMM connectors location

To install a DIMM, complete the following steps:

- Step 1. Read the safety information that begins in [“Safety” on page v](#) and [“Installation guidelines” on page 33](#).
- Step 2. Turn off the server (see [“Turning off the server” on page 23](#)) and all attached peripheral devices. Disconnect all power cords; then, disconnect all external cables as necessary to replace the device.
- Step 3. Remove the top cover (see [“Removing the server top cover” on page 196](#)).
- Step 4. Open the retaining clip on each end of the DIMM connector.

Attention: To avoid breaking the retaining clips or damaging the DIMM connectors, open and close the clips gently.

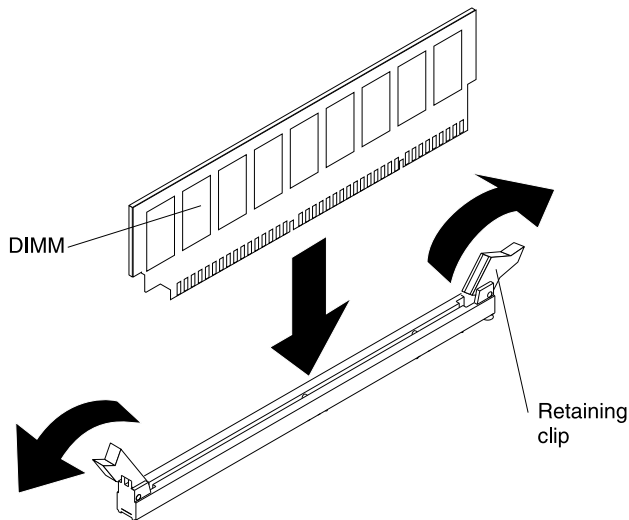


Figure 22. DIMM installation

- Step 5. Touch the static-protective package that contains the DIMM to any unpainted metal surface on the outside of the server. Then, remove the DIMM from the package.
- Step 6. Turn the DIMM so that the DIMM keys align correctly with the connector.
- Step 7. Insert the DIMM into the connector by aligning the edges of the DIMM with the slots at the ends of the DIMM connector (see “[System-board optional device connectors](#)” on page 31 for the locations of the DIMM connectors).
- Step 8. Firmly press the DIMM straight down into the connector by applying pressure on both ends of the DIMM simultaneously. The retaining clips snap into the locked position when the DIMM is firmly seated in the connector.

Note: If there is a gap between the DIMM and the retaining clips, the DIMM has not been correctly inserted; open the retaining clips, remove the DIMM, and then reinsert it.

If you have other devices to install or remove, do so now. Otherwise, go to “[Completing the installation](#)” on page 75.

Installing drives

The following notes describe the type of hard disk drives that the server supports and other information that you must consider when you install a hard disk drive.

To confirm that the server supports the drive that you are installing, see <http://www.lenovo.com/serverproven/>.

- Locate the documentation that comes with the drive and follow those instructions in addition to the instructions in this chapter.
- Make sure that you have all the cables and other equipment that are specified in the documentation that comes with the drive.
- Select the bay in which you want to install the drive.
- The server supports one optional ultra-slim SATA CD-RW/DVD-ROM optical drive.
- The server can support up to eight 2.5 inch hot-swap SAS/SATA drives, four 3.5-inch hot-swap SAS/SATA drives, or four 3.5-inch simple-swap SATA drives. (see “[Supported SAS/SATA drive backplane configurations](#)” on page 206 for the supported configurations).

- You can mix hot-swap SAS and SATA hard disk drives in the same server as long as you do not mix drives on the same array.
- The electromagnetic interference (EMI) integrity and cooling of the server are protected by having all bays and PCI Express slots covered or occupied. When you install a drive, save the EMC shield and filler panel from the bay in the event that you later remove the device.

Installing hot-swap drives

Use this information to install a hot-swap hard disk drive.

To install a hot-swap SAS or SATA drive, complete the following steps.

Note: If you install only one drive, you must install it in drive bay 0.

- Step 1. Read the safety information that begins in [“Safety” on page v](#) and [“Installation guidelines” on page 33](#).
- Step 2. Touch the static-protective package that contains the drive to any unpainted metal surface on the server; then, remove the drive from the package and place it on a static-protective surface.
- Step 3. Install a 3.5-inch hot-swap drive:
 - a. Remove the filler panel from the empty drive bay.
 - b. Make sure that the drive-tray handle is in the open (unlocked) position.
 - c. Align the drive assembly with the guide rails in the bay.

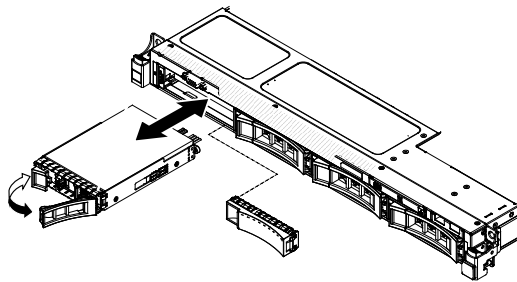


Figure 23. 3.5-inch hot-swap hard disk drives installation

- d. Gently push the drive assembly into the drive bay until the drive stops.
 - e. Rotate the drive-tray handle to the closed (locked) position.
 - f. Skip to step 5.
- Step 4. Install a 2.5-inch hot-swap drive:
 - a. Remove the filler panel from the empty drive bay.
 - b. Make sure that the drive-tray handle is in the open (unlocked) position.
 - c. Align the drive assembly with the guide rails in the bay.

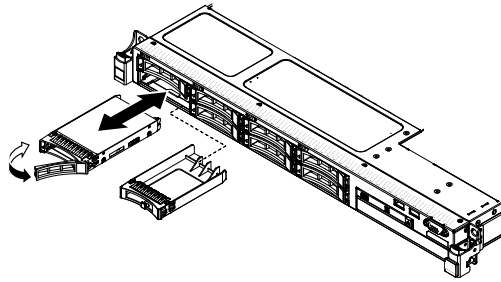


Figure 24. 2.5-inch hot-swap hard disk drives installation

- d. Gently push the drive assembly into the drive bay until the drive stops.
 - e. Rotate the drive-tray handle to the closed (locked) position.
- Step 5. Check the drive status LED to verify that the drive is operating correctly. If the yellow drive status LED for a drive is lit continuously, that drive is faulty and must be replaced. If the green drive activity LED is flashing, the drive is being accessed.

Note: If the server is configured for RAID operation using a ServeRAID adapter, you might have to reconfigure your disk arrays after you install drives. See the ServeRAID adapter documentation for additional information about RAID operation and complete instructions for using the ServeRAID adapter.

- Step 6. If you are installing additional hot-swap drives, do so now.
- Step 7. Restart the server. Confirm that it starts correctly and recognizes the newly installed devices, and make sure that no error LEDs are lit.
- Step 8. Complete the additional steps in [“Instructions for Business Partners” on page 25](#).

If you have other devices to install or remove, do so now. Otherwise, go to [“Completing the installation” on page 75](#).

IDs for hot-swap drives

The drive ID that is assigned to each drive is printed on the front of the server. The following illustrations show the locations of the IDs of the drives. The ID numbers and the drive bay numbers are the same.

The following illustration shows the drive bay IDs on a 3.5-inch drive server model.

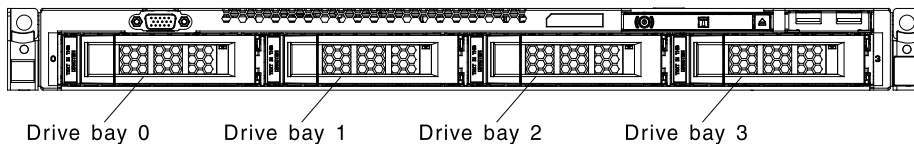


Figure 25. 3.5-inch hot-swap hard disk drive IDs

The following illustration shows the drive bay IDs on a 2.5-inch drive server model.

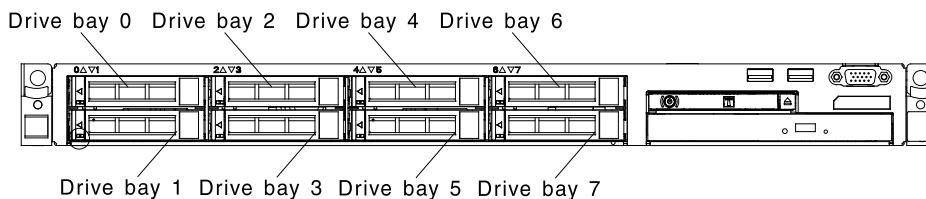


Figure 26. 2.5-inch hot-swap hard disk drive IDs

Installing simple-swap drives

Use this information to install simple-swap hard disk drives.

To install a simple-swap SATA drive, complete the following steps.

Note: If you install only one drive, you must install it in drive bay 0.

- Step 1. Read the safety information that begins in [“Safety” on page v](#) and [“Installation guidelines” on page 33](#).
- Step 2. Turn off the server (see [“Turning off the server” on page 23](#)) and all attached peripheral devices. Disconnect all power cords; then, disconnect all external cables as necessary to replace the device.
- Step 3. Touch the static-protective package that contains the drive to any unpainted metal surface on the server; then, remove the drive from the package and place it on a static-protective surface.
- Step 4. Install the hard disk drive in the drive bay
 - a. Remove the filler panel from the empty drive bay.
 - b. Align the drive assembly with the guide rails in the bay.

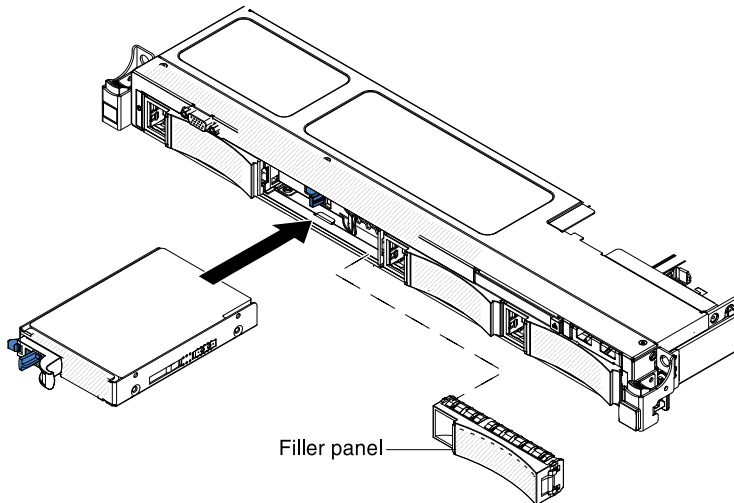


Figure 27. 3.5-inch simple-swap hard disk drive installation

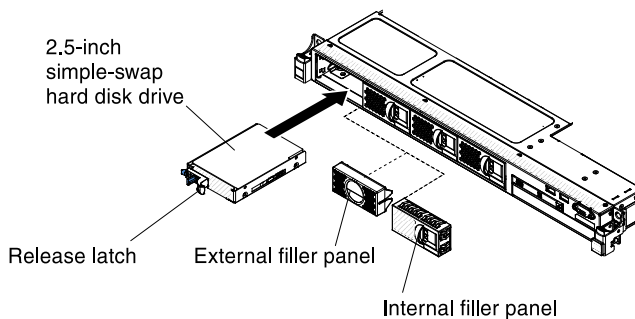


Figure 28. 2.5-inch simple-swap hard disk drive installation

- c. Gently slide the drive assembly into the drive bay until it clicks into place.
- d. Install the filler panel.

- Step 5. If you are installing additional simple-swap drives, do so now.
- Step 6. Restart the server. Confirm that it starts correctly and recognizes the newly installed devices, and make sure that no error LEDs are lit.

Note: If the server is configured for RAID operation using a ServeRAID adapter, you might have to reconfigure your disk arrays after you install drives. See the ServeRAID adapter documentation for additional information about RAID operation and complete instructions for using the ServeRAID adapter.

If you have other devices to install or remove, do so now. Otherwise, go to [“Completing the installation” on page 75](#).

Installing an optional optical drive

Use this information to install an optional optical drive.

To install an optional optical drive, complete the following steps:

- Step 1. Read the safety information that begins in [“Safety” on page v](#) and [“Installation guidelines” on page 33](#).
- Step 2. Turn off the server (see [“Turning off the server” on page 23](#)) and all attached peripheral devices. Disconnect all power cords; then, disconnect all external cables from the server.
- Step 3. Remove the top cover (see [“Removing the server top cover” on page 35](#)).
- Step 4. Locate the blue release tab on the rear of the drive bay; then, while you press the tab, push the optical drive filler toward the front of the server.

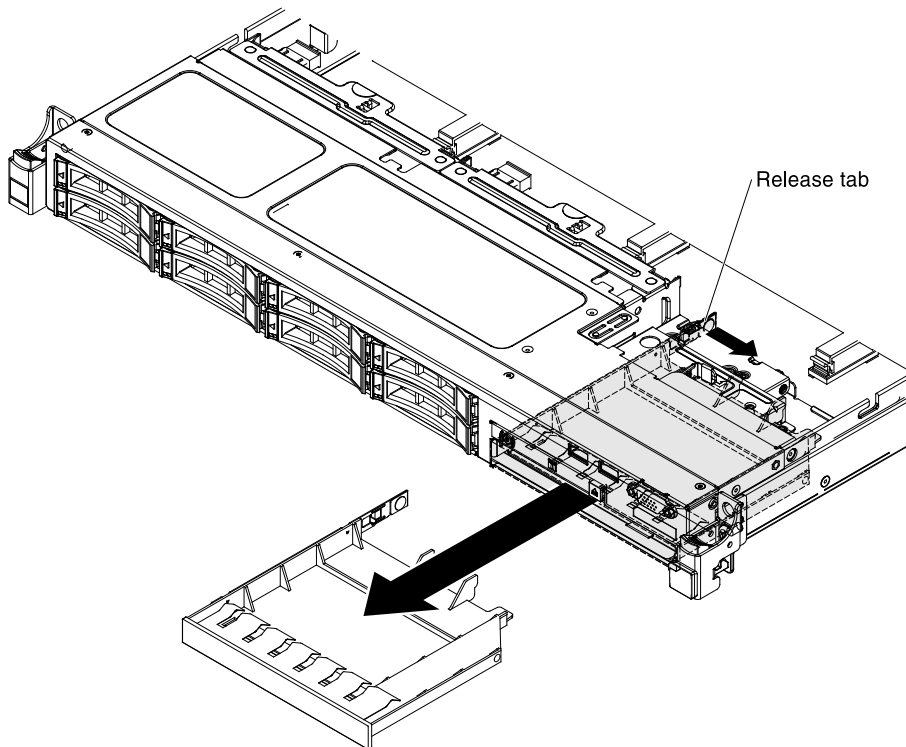


Figure 29. DVD drive filler panel removal

- Step 5. Pull the optical drive filler out of the front of the server.

Step 6. Remove the retention clip from the side of the drive filler.

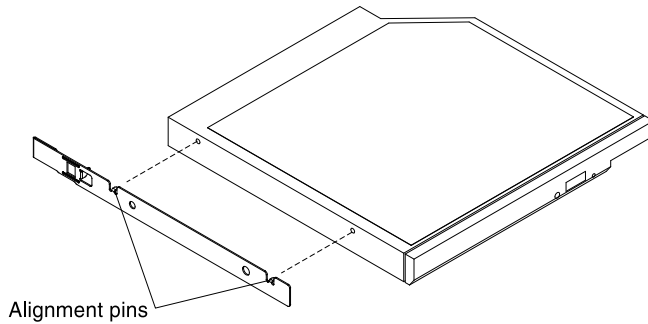


Figure 30. retention clip removal

Note: If you are installing a drive that contains a laser, observe the following safety precaution.

Statement 3



CAUTION:

When laser products (such as CD-ROMs, DVD drives, fiber optic devices, or transmitters) are installed, note the following:

- Do not remove the covers. Removing the covers of the laser product could result in exposure to hazardous laser radiation. There are no serviceable parts inside the device.
- Use of controls or adjustments or performance of procedures other than those specified herein might result in hazardous radiation exposure.



 **DANGER**

Some laser products contain an embedded Class 3A or Class 3B laser diode. Note the following.
Laser radiation when open. Do not stare into the beam, do not view directly with optical instruments, and avoid direct exposure to the beam.



Class 1 Laser Product
Laser Klasse 1
Laser Klass 1
Luokan 1 Laserlaite
Appareil À Laser de Classe 1

- Step 7. Touch the static-protective package that contains the new optical drive to any unpainted metal surface on the server; then, remove the optical drive from the package and place it on a static-protective surface.
- Step 8. Attach the drive retention clip that you removed from the previous drive to the side of the new drive.
- Step 9. Align the drive in the drive bay and slide the drive into the optical drive bay until the drive clicks into place.

If you have other devices to install or remove, do so now. Otherwise, go to [“Completing the installation” on page 75](#).

Installing a PCI riser-card assembly

Use this information to install a PCI riser-card assembly.

To install a PCI riser-card assembly, complete the following steps:

- Step 1. Read the safety information that begins in [“Safety” on page v](#) and [“Installation guidelines” on page 33](#).
- Step 2. Turn off the server (see [“Turning off the server” on page 23](#)) and all attached peripheral devices. Disconnect all power cords; then, disconnect all external cables from the server.
- Step 3. Remove the top cover (see [“Removing the server top cover” on page 35](#)).
- Step 4. Install the adapter in the PCI riser-card assembly (see [“Installing an adapter” on page 49](#)).
- Step 5. Align the PCI riser-card assembly with the PCI slot connector on the system board and align nailheads with the slots on the chassis; then, press down firmly until the riser-card assembly is seated correctly in the connector on the system board.

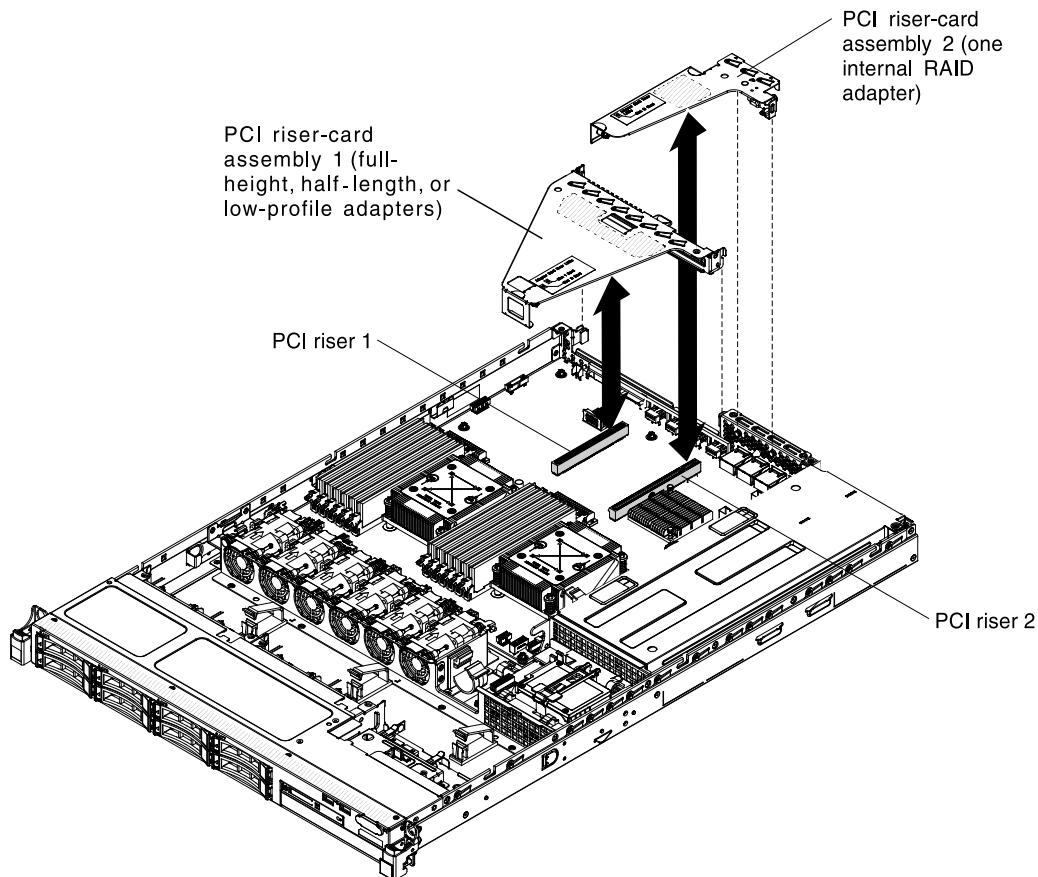


Figure 31. PCI riser-card assembly installation

If you have other devices to install or remove, do so now. Otherwise, go to [“Completing the installation” on page 75](#).

Installing an adapter

Use this information to install an adapter.

The following notes describe the types of adapters that the server supports and other information that you must consider when you install an adapter:

- To confirm that the server supports the adapter that you are installing, see <http://www.lenovo.com/serverproven/>.
- Locate the documentation that comes with the adapter and follow those instructions in addition to the instructions in this section.
- Do not set the maximum digital video adapter resolution above 1280 x 1024 at 75 Hz for an LCD monitor. This is the highest resolution that is supported for any add-on video adapter that you install in the server.
- Any high-definition video-out connector or stereo connector on any add-on video adapter is not supported.
- The server provides two PCI riser slots on the system board. The riser cards provide up to three PCIe 3 adapter slots (see [“PCI riser cards” on page 32](#) for the location of the PCI-e slots on the riser cards). The following table lists the PCI-e slots on the riser-card and the system board, the microprocessor to which each slot is connected, and the supported adapters that you can install in each slot:

Table 9. PCI riser slots supported configurations

PCI riser-card assembly	PCI-e slot number	Microprocessor to which the slot is connected	Configuration 1	Configuration 2
1	1	Microprocessor 1	PCIe 3.0 x16 (x16 mechanically) full-height, half-length adapter	PCIe 3.0 x8 (x16 mechanically) full-height, half-length adapter
1	2	Microprocessor 1	N/A	PCIe 3.0 x8 (x16 mechanically) low-profile adapter
2	3	Microprocessor 1	PCIe 3.0 x4 low-profile, internal RAID adapter	PCIe 3.0 x4 low-profile, internal RAID adapter
<p>Note: PCI-e slot 3 on PCI riser-card assembly 2 is reserved for an optional internal RAID adapter. Do not install any internal RAID adapter in PCI riser-card assembly 1.</p>				

- Depending on your server model, the server comes with an onboard RAID controller which provides basic RAID levels 0 and 1 functionality. The server supports the following optional RAID adapters that you can purchase for additional RAID support. For configuration information, see the documentation that comes with the adapter or the ServeRAID documentation at <http://www.lenovo.com/support>.

Attention: Some cluster solutions require specific code levels or coordinated code updates. If the device is part of a cluster solution, verify that the latest level of code is supported for the cluster solution before you update the code.

- ServeRAID controllers:
 - ServeRAID H1110 SAS/SATA Controller for System x
 - ServeRAID M1115 SAS/SATA Controller for System x
 - ServeRAID M5120 SAS/SATA Controller for IBM System x
 - ServeRAID M5110 SAS/SATA Controller for IBM System x
- ServeRAID controller upgrade options:
 - ServeRAID M5100 Series 512 MB Cache/RAID 5 Upgrade for IBM System x
 - ServeRAID M5100 Series 512 MB Flash/RAID 5 Upgrade for IBM System x
 - ServeRAID M5100 Series 1 GB Flash/RAID 5 Upgrade for IBM System x
 - ServeRAID M5100 Series RAID 6 Upgrade for IBM System x
 - ServeRAID M5100 Series Performance Key

Notes:

- The instructions in this section apply to any supported adapter (for example, video graphics adapters or network adapters).
- You must install an internal ServeRAID adapter in PCI riser-card assembly 2.
- When you install an adapter, make sure that the adapter is correctly seated in the riser-card assembly and that the riser-card assembly is securely seated in the riser-card connector on the system board before you turn on the server. An incorrectly seated adapter might cause damage to the system board, the riser-card assembly, or the adapter.
- Do not set the maximum digital video adapter resolution above 1600 x 1200 at 75 Hz for an LCD monitor. This is the highest resolution that is supported for any add-on video adapter that you install in the server.

- Any high-definition video-out connector or stereo connector on any add-on video adapter is not supported

To install an adapter, complete the following steps:

- Step 1. Read the safety information that begins in [“Safety” on page v](#) and [“Installation guidelines” on page 33](#).
- Step 2. Turn off the server (see [“Turning off the server” on page 23](#)) and all attached peripheral devices. Disconnect all power cords; then, disconnect all external cables from the server.
- Step 3. Remove the top cover (see [“Removing the server top cover” on page 35](#)).
- Step 4. Follow the cabling instructions, if any come with the adapter. Route the adapter cables before you install the adapter.
- Step 5. Installing an adapter in PCI riser-card assembly 1:

Insert the adapter into the PCI riser-card assembly, aligning the edge connector on the adapter with the connector on the PCI riser-card assembly. Press the edge of the connector *firmly* into the PCI riser-card assembly. Make sure that the adapter snaps into the PCI riser-card assembly securely.

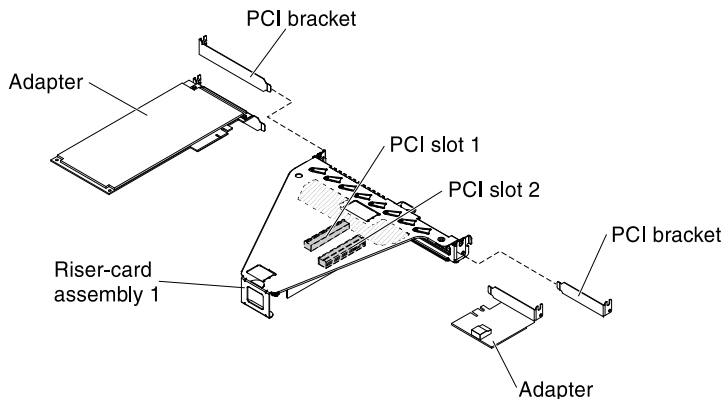


Figure 32. Adapter installation in PCI riser-card assembly 1

- Step 6. Installing a ServeRAID adapter in PCI riser-card assembly 2:
 1. Pull the release pin to unlock the release latch.
 2. Rotate the retention latch to the open position.
 3. Insert the adapter into the PCI riser-card assembly, aligning the edge connector on the adapter with the connector on the PCI riser-card assembly. Press the edge of the connector *firmly* into the PCI riser-card assembly. Make sure that the adapter snaps into the PCI riser-card assembly securely.
 4. Rotate the retention latch to the close position. Make sure the retention latch engages the adapter securely; then, push in the release pin to lock the retention latch.

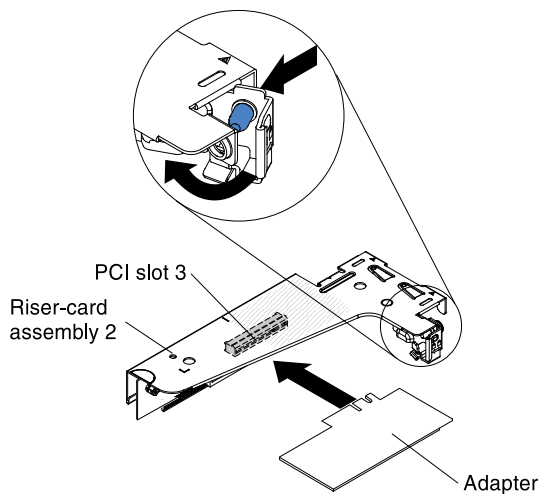


Figure 33. Adapter installation in PCI riser-card assembly 2

Step 7. Install the PCI riser-card assembly in the server (see “Installing a PCI riser-card assembly” on page 48).

Step 8. Perform any configuration tasks that are required for the adapter.

If you have other devices to install or remove, do so now. Otherwise, go to “Completing the installation” on page 75.

Installing an optional ServeRAID SAS/SATA Controller

Use this information to install a ServeRAID SAS/SATA controller.

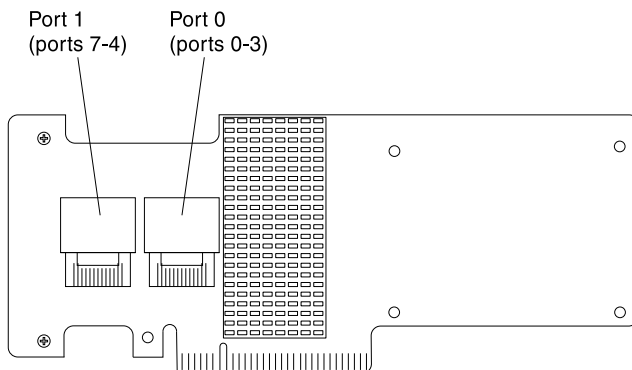


Figure 34. ServeRAID adapter installation

You can purchase an optional ServeRAID SAS/SATA controller. You must install the optional ServeRAID adapter in PCI slot 3 on PCI riser-card assembly 2. If the server does not already come with PCI riser-card assembly 2, you must purchase the PCI riser-card assembly option. For configuration information, see the ServeRAID documentation at <http://www.ibm.com/support/mysupport/>.

Attention: Some cluster solutions require specific code levels or coordinated code updates. If the device is part of a cluster solution, verify that the latest level of code is supported for the cluster solution before you update the code.

Notes:

1. Follow the general rule for connecting the SAS signal cables to the adapter and drive backplane, port 0 on the adapter to port 0 on the drive backplane; then port 1 on the adapter to port 1 on the drive backplane (depending on the drive backplane you install in the server).
2. When you install a ServeRAID SAS/SATA adapter that has a battery, you must install the ServeRAID battery remotely on the remote battery holder in the server (see [“Installing a RAID adapter battery remotely in the server” on page 69](#)).

To install a ServeRAID adapter, complete the following steps:

- Step 1. Read the safety information that begins in [“Safety” on page v](#) and [“Installation guidelines” on page 33](#).
- Step 2. Turn off the server (see [“Turning off the server” on page 23](#)) and all attached peripheral devices. Disconnect all power cords; then, disconnect all external cables from the server.
- Step 3. Remove the top cover (see [“Removing the server top cover” on page 35](#)).
- Step 4. Carefully grasp PCI riser-card assembly 2 by the blue touch points and pull it until the PCI riser-card assembly disengages from the connector on the system board.
- Step 5. Pull the release pin on the rear of the PCI riser-card assembly to unlock the retention latch; then rotate the retention latch to the open position.
- Step 6. Touch the static-protective package that contains the ServeRAID adapter to any unpainted surface on the outside of the server; then, grasp the adapter by the top edge or upper corners of the adapter and remove it from the package.
- Step 7. Align the ServeRAID adapter so that the keys align correctly with the connector on the PCI riser-card assembly.
- Step 8. Insert the ServeRAID adapter into the connector on the riser-card until it is firmly seated.
Attention: Incomplete insertion might cause damage to the server or the adapter.
- Step 9. Rotate the retention latch to the closed position, making sure the retention latch engages the ServeRAID adapter. Then, push in the release pin to lock the retention latch in place.
- Step 10. Connect the power/configuration cable to the drive backplane and the system board.
- Step 11. Connect the signal cable to the drive backplane and to the adapter. Be sure to route the signal cables as shown in the following illustration. Secure the cables with any cable clips on the system board so that they do not get in the way or get damaged.
- Step 12. Reinstall PCI riser-card assembly 2 onto the system board.

If you have other devices to install or remove, do so now. Otherwise, go to [“Completing the installation” on page 75](#).

Installing an additional microprocessor and heat sink

The following notes describe the type of microprocessor that the server supports and other information that you must consider when you install a microprocessor and heat sink.

Note: If your server comes with one Intel Pentium 1400 series microprocessor, the second microprocessor socket is not used. The server supports only one Intel Pentium microprocessor. If you plan to install two Intel Xeon microprocessors in the server, you must first remove the Intel Pentium microprocessor that came with the server.

- A microprocessor must be replaced or serviced by a trained technician.
- Be extremely careful, the pins on the socket are fragile. Any damage to the pins may require replacing the system board.

- The microprocessor tool assembly comes with the microprocessor and microprocessor cover attached to the tool. The microprocessor comes protected between the tool and the microprocessor cover. Store the microprocessor tool in a safe location for future use.
- Use the microprocessor tool to install or remove a microprocessor in the server. Failure to use the microprocessor tool may cause damage to the pins in the socket. Any damage to the pins may require replacing the system board.
- The server supports one Intel Pentium 1400 series microprocessor or up to two IntelXeon four-core, six-core, or eight-core microprocessors (depending on your model). To confirm that the server supports the microprocessor, see <http://www.lenovo.com/serverproven/> for a list of supported microprocessors.
- Do not mix four-core, six-core, and eight-core microprocessors in the same server.
- The microprocessor options that Lenovo supports are limited by the capacity and capability of the server. Any microprocessor options that you install must have the same specifications as the microprocessor(s) that came with the server.
- The first microprocessor must always be installed in microprocessor socket 1 on the system board.
- Do not remove the first microprocessor from the system board when you install the second microprocessor.
- When you install the second microprocessor, you must also install additional memory and the fourth and sixth fans. See “[Installing a memory module](#)” on page 37 for details about the memory installation sequence.
- To ensure proper server operation when you install an additional microprocessor, use microprocessors that have the same QuickPath Interconnect (QPI) link speed, integrated memory controller frequency, core frequency, power segment, internal cache size, and type.
- Mixing microprocessors of different stepping levels within the same server model is supported.
- When mixing microprocessors with different stepping levels within the same server model, you do not have to install the microprocessor with lowest stepping level and features in microprocessor socket 1.
- Both microprocessor voltage regulator modules are integrated on the system board.
- Read the documentation that comes with the microprocessor, so that you can determine whether you have to update the server firmware. To download the latest level of the server firmware and other code updates for your server, go to <http://www.lenovo.com/support>.
- If the thermal-grease protective cover (for example, a plastic cap or tape liner) is removed from the heat sink, do not touch the thermal grease on the bottom of the heat sink or set down the heat sink. For details, see “[Thermal grease](#)” on page 58.

Note: Removing the heat sink from the microprocessor destroys the even distribution of the thermal grease and requires replacing the thermal grease.

- To order an additional optional microprocessor, contact your Lenovo marketing representative or authorized reseller.
- The following table shows the DIMM connectors on the system board and the DIMM connectors that are associated with each microprocessor:

Table 10. DIMM connectors associated with each microprocessor

Microprocessor	DIMM connectors
Microprocessor socket 1	1 through 6
Microprocessor socket 2	7 through 12

To install an additional microprocessor and heat sink, complete the following steps:

- Step 1. Read the safety information that begins in [“Safety” on page v](#) and [“Installation guidelines” on page 33](#).
- Step 2. Turn off the server (see [“Turning off the server” on page 23](#)) and all attached peripheral devices. Disconnect all power cords; then, disconnect all external cables from the server.

Attention: When you handle static-sensitive devices, take precautions to avoid damage from static electricity. For details about handling these devices, see [“Handling static-sensitive devices” on page 35](#).

- Step 3. Remove the top cover (see [“Removing the server top cover” on page 35](#)).
- Step 4. Remove the air baffle (see [“Removing the air baffle” on page 36](#)).
- Step 5. Locate microprocessor socket 2 on the system board.
- Step 6. Remove the heat-sink filler, if one is present.
- Step 7. Open the microprocessor socket release lever and retainer.
 - a. Press down and out on the release lever on microprocessor socket 2 and lift up the microprocessor release lever until it stops in the fully open position.
 - b. Lift the hinged microprocessor bracket frame into an open position.

Attention: When you handle static-sensitive devices, take precautions to avoid damage from static electricity. For details about handling these devices, see [“Handling static-sensitive devices” on page 35](#).

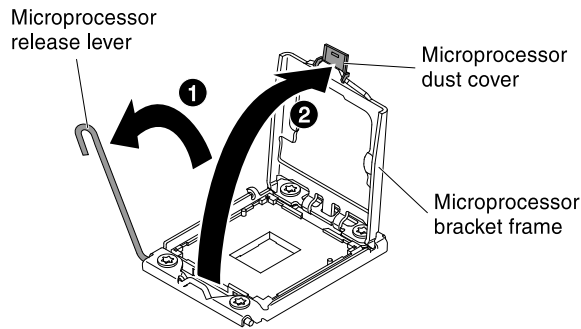


Figure 35. Lift the bracket frame into an open position

- Step 8. Install the microprocessor:
 - a. Remove the socket cover from the microprocessor socket.

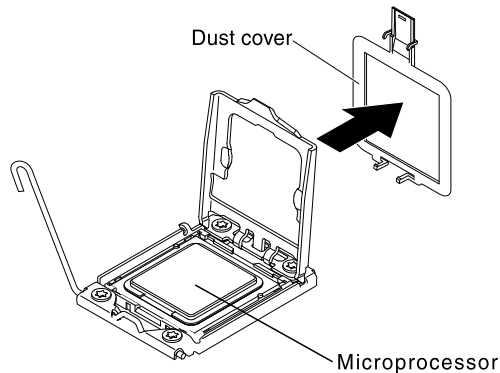


Figure 36. Microprocessor Installation

- b. Touch the static-protective package that contains the new microprocessor to any *unpainted* metal surface on the server.
- c. Remove the microprocessor installation tool assembly from the package. The microprocessor installation tool assembly comes with the microprocessor and microprocessor cover attached to the tool. The microprocessor comes protected between the tool and the microprocessor cover.

Attention:

- Do not rotate the handle on the tool until you are ready to install the microprocessor into the microprocessor socket.
 - Do not touch the microprocessor contacts; handle the microprocessor by the edges only. Contaminants on the microprocessor contacts, such as oil from your skin, can cause connection failures between the contacts and the socket.
 - Handle the microprocessor carefully. Dropping the microprocessor during installation or removal can damage the contacts.
- d. Remove the cover from the bottom of the microprocessor installation tool. Press both microprocessor cover release tabs outward (in opposite directions as shown in the illustration) and remove the microprocessor installation tool with the microprocessor attached.

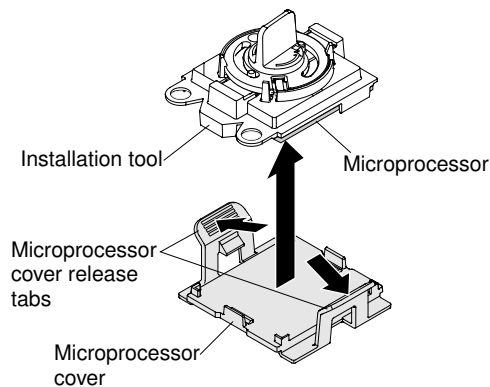


Figure 37. Microprocessor removal with microprocessor installation tool

- e. Carefully align the microprocessor installation tool over the microprocessor socket. .

Note: The microprocessor fits only one way in the socket.

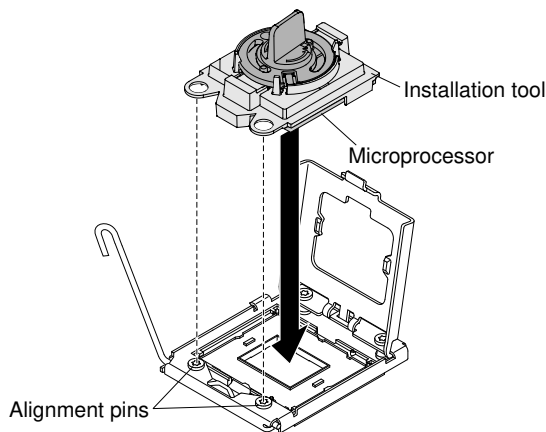


Figure 38. Microprocessor installation alignment

- f. Twist the handle on the microprocessor tool counterclockwise to insert the microprocessor into the socket.

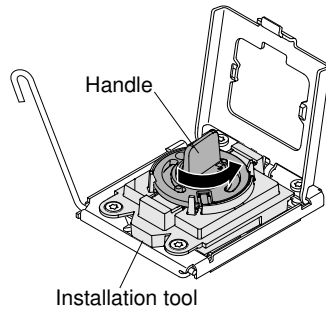


Figure 39. Microprocessor insertion

- g. Take off the microprocessor installation tool from the microprocessor socket and close the microprocessor bracket frame.
- h. Carefully close the microprocessor release lever to the closed position to secure the microprocessor in the socket.

Step 9. Install the heat sink that came with the microprocessor:

- a. Remove the plastic protective cover from the bottom of the heat sink.

Attention: Do not touch the thermal grease on the bottom of the heat sink after you remove the plastic cover. Touching the thermal grease will contaminate it. See [“Thermal grease” on page 58](#) for more information.

- b. Align the screws on the heat sink with the screw holes on the system board; then, place the heat sink on the microprocessor with the thermal-grease side down.

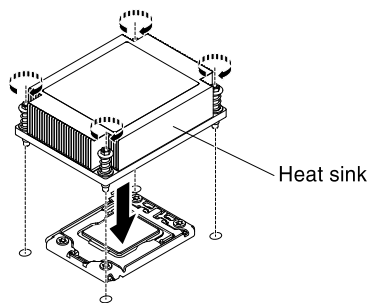


Figure 40. Heat sink placement

- c. Press firmly on the captive screws and tighten them with a screwdriver. The follow illustration shows the sequence in tightening the screws, which is also shown on top of the heat sink. Begin with the screw labeled as "1", then "2", "3" and finally "4". If possible, each screw should be rotated two full rotations at a time. Repeat until the screws are tight. Do not overtighten the screws by using excessive force. If you are using a torque wrench, tighten the screws to 8.5 Newton-meters (Nm) to 13 Nm (6.3 foot-pounds to 9.6 foot-pounds).

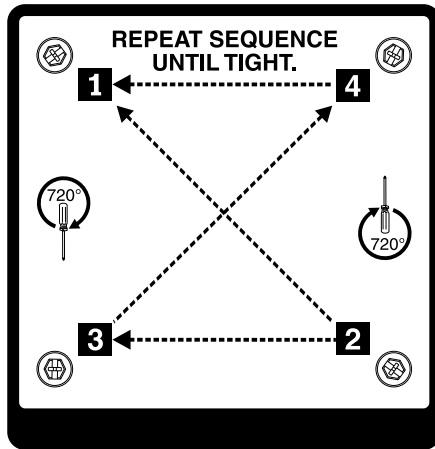


Figure 41. Sequence in tightening the screws

Step 10. If you installed the second microprocessor, install the two fans on Fan connector 4 and Fan connector 6 of the system board respectively (see [“Replacing a fan” on page 221](#)).

Step 11. Reinstall the air baffle, (see [“Replacing the air baffle” on page 76](#)).

Step 12. Reconnect any cables that you have disconnected from the adapters or system board.

If you have other devices to install or remove, do so now. Otherwise, go to [“Completing the installation” on page 75](#).

Thermal grease

The thermal grease must be replaced whenever the heat sink has been removed from the top of the microprocessor and is going to be reused or when debris is found in the grease.

When you are installing the heat sink on the same microprocessor that is was removed from, make sure that the following requirements are met:

- The thermal grease on the heat sink and microprocessor is not contaminated.
- Additional thermal grease is not added to the existing thermal grease on the heat sink and microprocessor.

Notes:

- Read the Safety information in [“Safety” on page v](#).
- Read the [“Installation guidelines” on page 33](#).
- Read [“Handling static-sensitive devices” on page 35](#).

To replace damaged or contaminated thermal grease on the microprocessor and heat sink, complete the following steps:

Step 1. Place the heat sink on a clean work surface.

Step 2. Remove the cleaning pad from its package and unfold it completely.

Step 3. Use the cleaning pad to wipe the thermal grease from the bottom of the heat sink.

Note: Make sure that all of the thermal grease is removed.

Step 4. Use a clean area of the cleaning pad to wipe the thermal grease from the microprocessor; then, dispose of the cleaning pad after all of the thermal grease is removed.

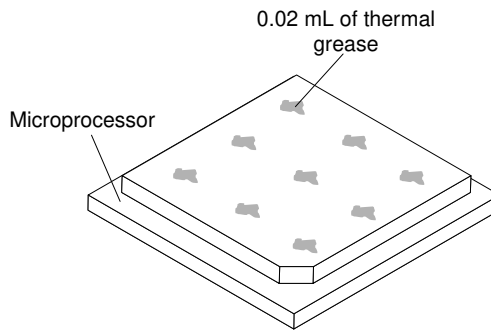


Figure 42. Thermal grease distribution

- Step 5. Use the thermal-grease syringe to place 9 uniformly spaced dots of 0.02 mL each on the top of the microprocessor. The outermost dots must be within approximately 5 mm of the edge of the microprocessor; this is to ensure uniform distribution of the grease.

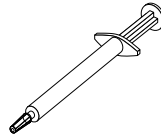


Figure 43. Syringe

Note: If the grease is properly applied, approximately half of the grease will remain in the syringe.

- Step 6. Install the heat sink onto the microprocessor as described in [“Installing an additional microprocessor and heat sink” on page 53.](#)

Installing a hot-swap ac power supply

Use this information to install a hot-swap ac power supply.

The following notes describe the type of power supply that the server supports and other information that you must consider when you install a power supply:

- To confirm that the server supports the power supply that you are installing, see <http://www.lenovo.com/serverproven/>.
- Before you install an additional power supply or replace a power supply with one of a different wattage, you may use the IBM Power Configurator utility to determine current system power consumption. For more information and to download the utility, go to <http://www.ibm.com/systems/bladecenter/resources/powerconfig.html>.
- The server comes standard with one of the following power supplies that connects to power supply bay 1. The input voltage is 100-127 V ac or 200-240 V ac auto-sensing.
 - 460-watt fixed power supply
 - 460-watt hot-swap power supply
 - 675-watt high-efficiency, hot-swap power supply

Note: You cannot mix 110 V ac and 220 V ac, or 460-watt and 675-watt power supplies in the server, it is not supported.

- Power supply 1 is the default/primary power supply. If power supply 1 fails, you must replace the power supply with the same wattage immediately.

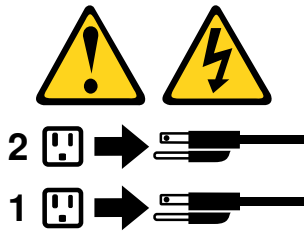
- The server supports a maximum of two hot-swap power supplies. These power supplies are designed for parallel operation. In the event of a power-supply failure, the redundant power supply continues to power the system.
- The server can run fully configured with one power supply. For redundancy support, you must install the second hot-swap power supply.

Statement 5



CAUTION:

The power control button on the device and the power switch on the power supply do not turn off the electrical current supplied to the device. The device also might have more than one power cord. To remove all electrical current from the device, ensure that all power cords are disconnected from the power source.



Statement 8



CAUTION:

Never remove the cover on a power supply or any part that has the following label attached.



Hazardous voltage, current, and energy levels are present inside any component that has this label attached. There are no serviceable parts inside these components. If you suspect a with one of these parts, contact a service technician.

To install a hot-swap power supply, complete the following steps:

- Step 1. Read the safety information that begins in [“Safety” on page v](#) and [“Installation guidelines” on page 33](#).

- Step 2. Touch the static-protective package that contains the hot-swap power supply to any unpainted metal surface on the server; then, remove the power supply from the package and place it on a static-protective surface.
- Step 3. If you are installing a hot-swap power supply into an empty bay, remove the power-supply filler panel from the power-supply bay.

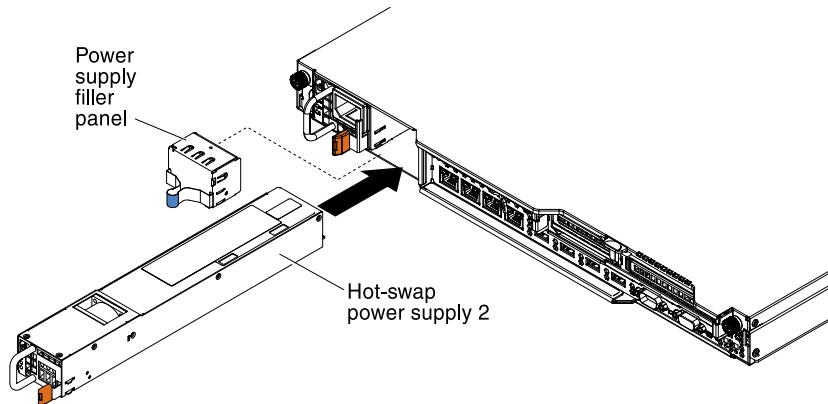


Figure 44. Power supply installation

- Step 4. Grasp the handle on the rear of the power supply with the gold contact ; then, slide the power supply forward into the power-supply bay until it clicks. Make sure that the power supply connects firmly into the power-supply connector.
- Step 5. Route the power cord through the cable retainer clip on the rear of the server so that it does not accidentally become unplugged.
- Step 6. Connect the power cord for the new power supply to the power-cord connector on the power supply.
- Step 7. Connect the other end of the power cord to a properly grounded electrical outlet.
- Step 8. Make sure that the ac power LED and the dc power LED on the power supply are lit, indicating that the power supply is operating correctly. The two green LEDs are to the right of the power-cord connector.
- Step 9. If you are replacing a power supply with one of a different wattage in the server, apply the new power information label provided over the existing power information label on the server. Power supplies in the server must be with the same power rating or wattage to ensure that the server will operate correctly.

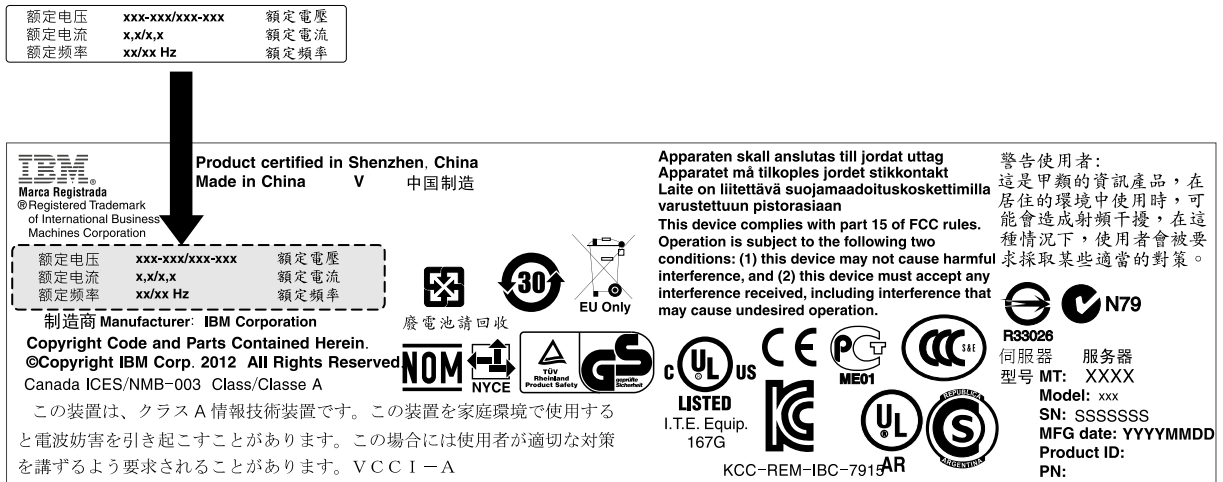


Figure 45. Power information label

Step 10. If you are adding a power supply to the server, attach the redundant power information label that comes with this option on the server cover near the power supplies.

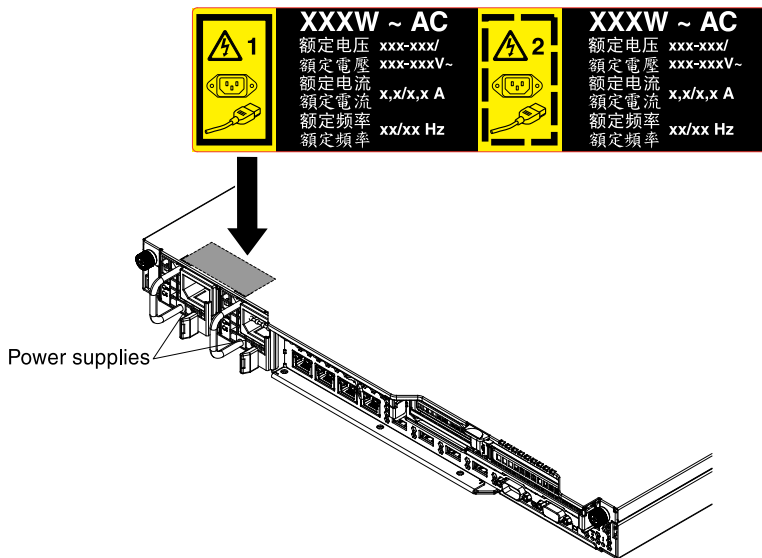


Figure 46. Redundant power information label

Step 11. Restart the server. Confirm that it starts correctly and recognizes the newly installed device, and make sure that no error LEDs are lit.

Installing a hot-swap dc power supply

Observe the following precautions when you install a hot-swap dc power supply.

The following notes describe the type of power supply that the server supports and other information that you must consider when you install a power supply:

- Before you install an additional power supply or replace a power supply with one of a different wattage, you may use the IBM Power Configurator utility to determine current system power consumption. For more information and to download the utility, go to <http://www.ibm.com/systems/bladecenter/resources/powerconfig.html>.

- The server comes with one hot-swap 12-volt output power supply that connects to power supply bay 1. The input voltage is -48 V dc or -60 V dc auto-sensing.
- Before you install a dc power supply in the server, you must remove all ac power supplies. Do not use both ac and dc power supplies in the same server. Install up to two dc power supplies or up to two ac power supplies, but not a combination.
- Power supply 1 is the default/primary power supply. If power supply 1 fails, you must replace the power supply with the same wattage immediately.
- You can order an optional power supply for redundancy.
- These power supplies are designed for parallel operation. In the event of a power-supply failure, the redundant power supply continues to power the system. The server supports a maximum of two power supplies.
- It is the customer's responsibility to supply the necessary power cable.

To reduce the risk of electric shock or energy hazards:

- Use a circuit breaker that is rated at 25 amps.
- Use 2.5 mm² (12 AWG) at 90° C copper wire.
- Torque the wiring-terminal screws to 0.50 ~ 0.60 newton-meters (4.43 ~ 5.31 inch-pounds).

For more information, see Statement 34.

- If the power source requires ring terminals, you must use a crimping tool to install the ring terminals to the power cord wires. The ring terminals must be UL approved and must accommodate the wire that is described in the above-mentioned note .

Statement 29:



CAUTION:

This equipment is designed to permit the connection of the earthed conductor of the dc supply circuit to the earthing conductor at the equipment.

This equipment is designed to permit the connection of the earthed conductor of the dc supply circuit to the earthing conductor at the equipment. If this connection is made, all of the following conditions must be met:

- This equipment shall be connected directly to the dc supply system earthing electrode conductor or to a bonding jumper from an earthing terminal bar or bus to which the dc supply system earthing electrode conductor is connected.
- This equipment shall be located in the same immediate area (such as, adjacent cabinets) as any other equipment that has a connection between the earthed conductor of the same dc supply circuit and the earthing conductor, and also the point of earthing of the dc system. The dc system shall not be earthed elsewhere.
- The dc supply source shall be located within the same premises as this equipment.
- Switching or disconnecting devices shall not be in the earthed circuit conductor between the dc source and the point of connection of the earthing electrode conductor.

Statement 31



 **DANGER**

Electrical current from power, telephone, and communication cables is hazardous.
To avoid a shock hazard:

- **Do not connect or disconnect any cables or perform installation, maintenance, or reconfiguration of this product during an electrical storm.**
- **Connect all power cords to a properly wired and grounded power source.**
- **Connect to properly wired power sources any equipment that will be attached to this product.**
- **When possible, use one hand only to connect or disconnect signal cables.**
- **Never turn on any equipment when there is evidence of fire, water, or structural damage.**
- **Disconnect the attached ac power cords, dc power sources, network connections, telecommunications systems, and serial cables before you open the device covers, unless you are instructed otherwise in the installation and configuration procedures.**
- **Connect and disconnect cables as described in the following table when you install, move, or open covers on this product or attached devices.**

To Connect:

1. Turn OFF all power sources and equipment that is to be attached to this product.
2. Attach signal cables to the product.
3. Attach power cords to the product.
 - For ac systems, use appliance inlets.
 - For dc systems, ensure correct polarity of -48 V dc connections: RTN is + and -48 V dc is -. Earth ground should use a two-hole lug for safety.
4. Attach signal cables to other devices.
5. Connect power cords to their sources.
6. Turn ON all the power sources.

To Disconnect:

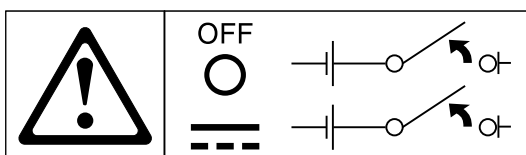
1. Turn OFF all power sources and equipment that is to be attached to this product.
 - For ac systems, remove all power cords from the chassis power receptacles or interrupt power at the ac power distribution unit.
 - For dc systems, disconnect dc power sources at the breaker panel or by turning off the power source. Then, remove the dc cables.
2. Remove the signal cables from the connectors.
3. Remove all cables from the devices.

Statement 33



CAUTION:

This product does not provide a power-control button. Turning off blades or removing power modules and I/O modules does not turn off electrical current to the product. The product also might have more than one power cord. To remove all electrical current from the product, make sure that all power cords are disconnected from the power source.



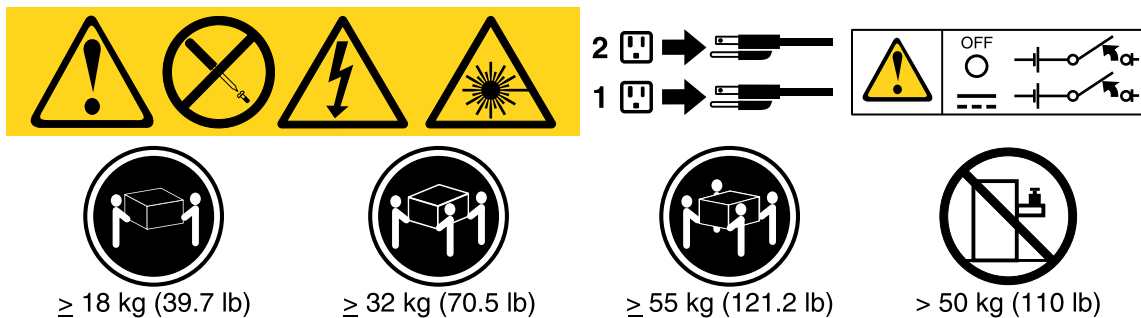
Statement 34



CAUTION:

To reduce the risk of electric shock or energy hazards:

- This equipment must be installed by trained service personnel in a restricted-access location, as defined by the NEC and IEC 60950-1, First Edition, The Standard for Safety of Information Technology Equipment.
- Connect the equipment to a properly grounded safety extra low voltage (SELV) source. A SELV source is a secondary circuit that is designed so that normal and single fault conditions do not cause the voltages to exceed a safe level (60 V direct current).
- Incorporate a readily available approved and rated disconnect device in the field wiring.
- See the specifications in the product documentation for the required circuit-breaker rating for branch circuit overcurrent protection.
- Use copper wire conductors only. See the specifications in the product documentation for the required wire size.
- See the specifications in the product documentation for the required torque values for the wiring-terminal screws.



Important: Be sure to read the multilingual safety instructions on the CD that comes with the server before you use the product.

To install a hot-swap dc power supply, complete the following steps:

Attention: Only trained service personnel other than IBM service technicians are authorized to install and remove the -48 volt dc power supply, and make the connections to and disconnections from the -48 volt dc power source. IBM service technicians are not certified or authorized to install or remove the -48 volt power cable. The customer is responsible for ensuring that only trained service personnel install or remove the -48 volt power cable.

- Step 1. Read the safety information that begins in [“Safety” on page v](#) and [“Installation guidelines” on page 33](#).
- Step 2. Touch the static-protective package that contains the hot-swap power supply to any unpainted metal surface on the server; then, remove the power supply from the package and place it on a static-protective surface.
- Step 3. Turn off the circuit breaker for the dc power source to which the new power supply will be connected. Disconnect the power cord from the dc power source.

- Step 4. Attach the dc power cable to the new power supply. Make sure the wires are connected securely to the -48V, ground, and -48V return terminals.

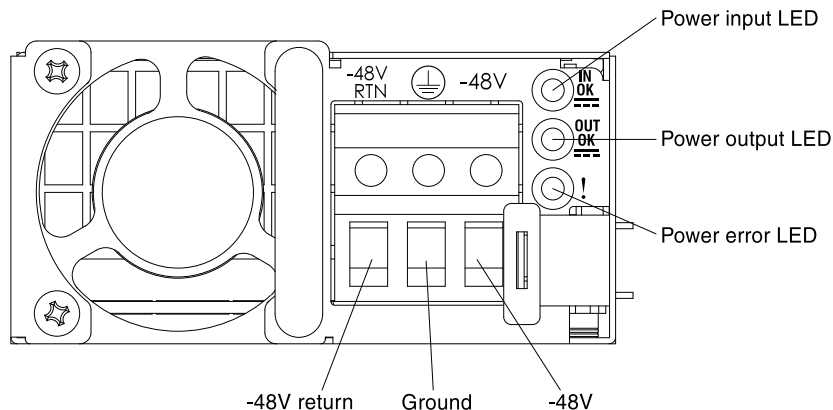


Figure 47. DC power supply rear view

- Step 5. If you are installing a hot-swap power supply into an empty bay, remove the power-supply filler from the power-supply bay.

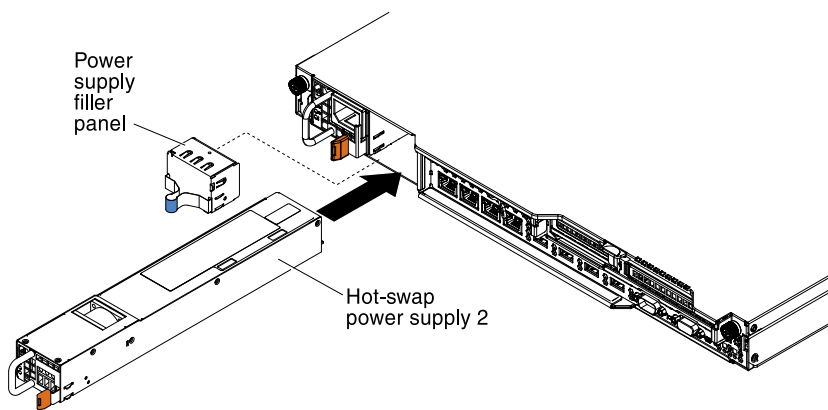


Figure 48. Power supply installation

- Step 6. Grasp the handle on the rear of the power supply and slide the power supply forward into the power-supply bay until it clicks. Make sure that the power supply connects firmly into the power-supply connector.
- Step 7. Route the power cord through the handle and cable tie if any, so that it does not accidentally become unplugged.
- Step 8. Connect the other ends of the dc power cable to the dc power source. Cut the wires to the correct length, but do not cut them shorter than 150 mm (6 inch). If the power source requires ring terminals, you must use a crimping tool to install the ring terminals to the power cord wires. The ring terminals must be UL approved and must accommodate the wires that are described in the note. The minimum nominal thread diameter of a pillar or stud type of terminal must be 4 mm; for a screw type of terminal the diameter must be 5.0 mm.
- Step 9. Turn on the circuit breaker for the dc power source to which the new power supply is connected.
- Step 10. Make sure that the green power LEDs on the power supply are lit, indicating that the power supply is operating correctly.
- Step 11. If you are replacing a power supply with one of a different wattage in the server, apply the new power information label provided over the existing power information label on the server. Power

supplies in the server must be with the same power rating or wattage to ensure that the server will operate correctly.

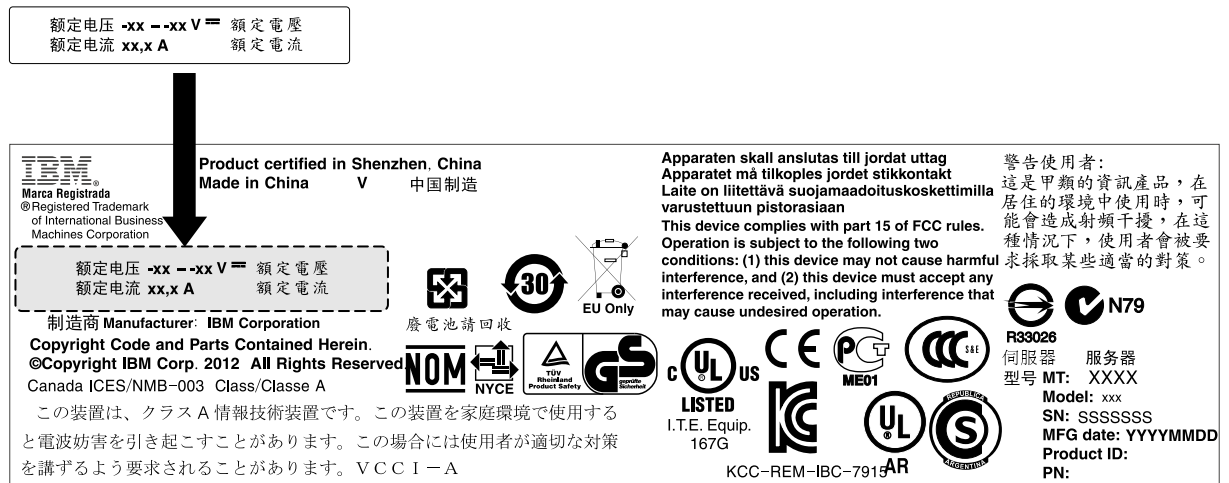


Figure 49. Power information label

Step 12. If you are adding a power supply to the server, attach the redundant power information label that comes with this option on the server cover near the power supplies.

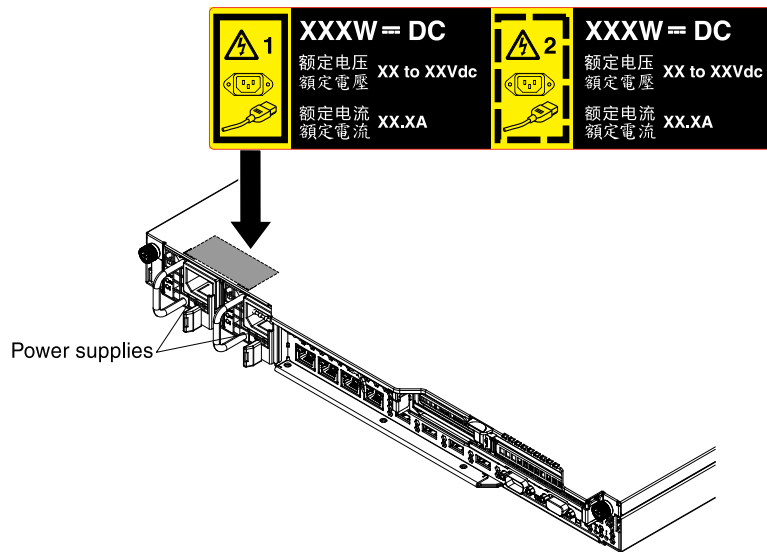


Figure 50. Redundant power information label

Installing a USB embedded hypervisor flash device

Use this information to install a USB embedded hypervisor flash device.

To install a hypervisor flash device, complete the following steps:

- Step 1. Read the safety information that begins in “[Safety](#)” on page v and “[Installation guidelines](#)” on page 33.
- Step 2. Turn off the server (see “[Turning off the server](#)” on page 23) and all attached peripheral devices. Disconnect all power cords; then, disconnect all external cables from the server.

- Step 3. Remove the top cover (see [“Removing the server top cover”](#) on page 35).
- Step 4. Remove PCIe riser-card assembly 1 (see [“Removing a PCI riser-card assembly”](#) on page 248).
- Step 5. Locate the embedded hypervisor USB flash device connector on the system board as shown in the following illustration:

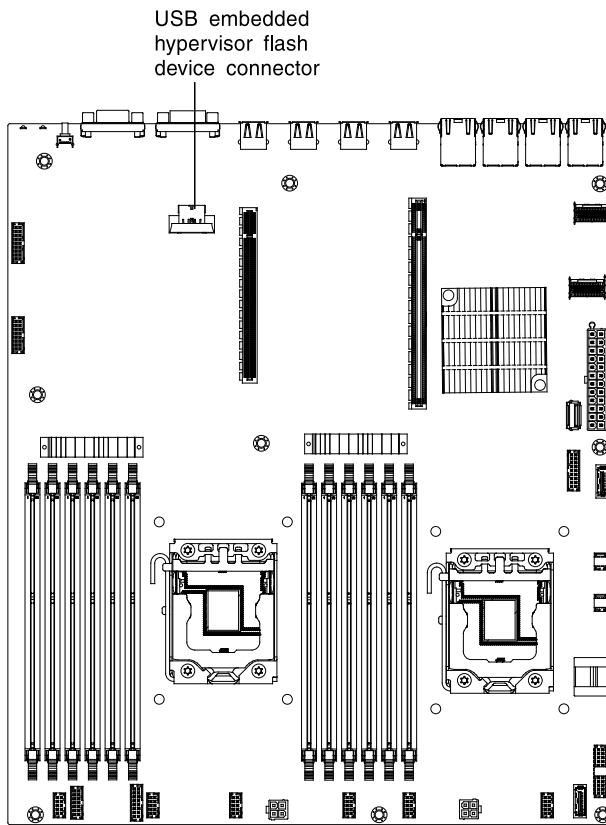


Figure 51. Location of the embedded hypervisor USB flash device

- Step 6. Slide the lockbar toward the riser-card assembly to the locked position until it is seated firmly.

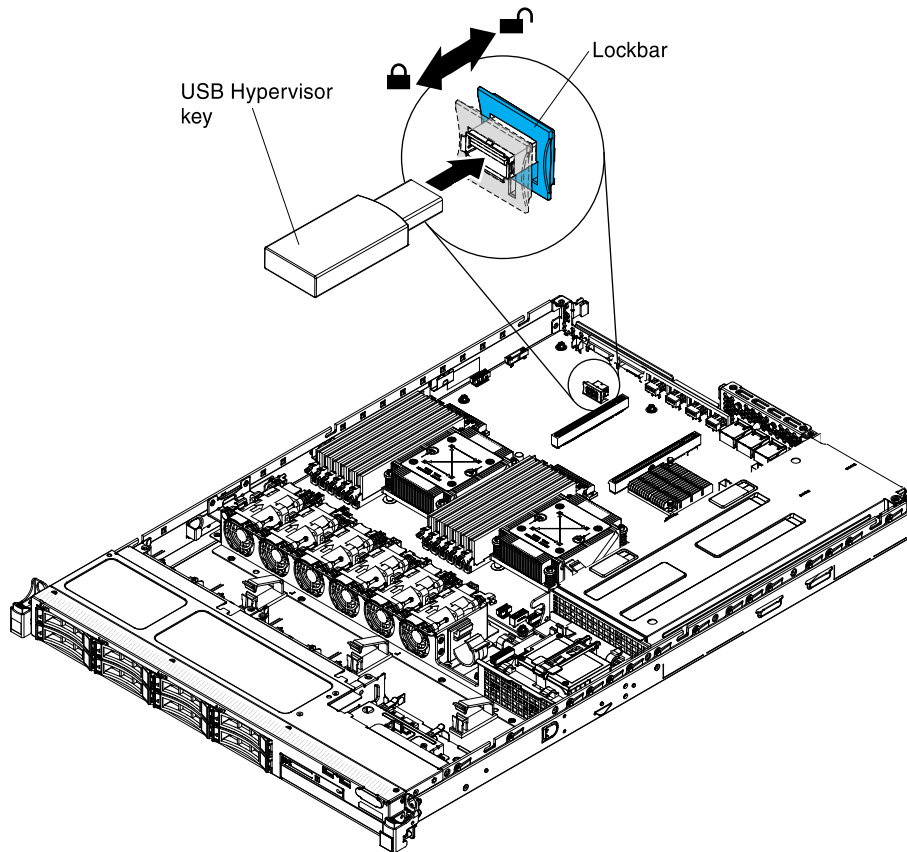


Figure 52. Embedded hypervisor USB flash device installation

If you have other devices to install or remove, do so now. Otherwise, go to [“Completing the installation” on page 75](#).

Installing a RAID adapter battery remotely in the server

Use this information to install a RAID adapter battery remotely in the server.

When you install a RAID adapter in the server that come with a battery or a power module (Supercap pack), the RAID battery or power module must be installed remotely to prevent it from overheating. The battery or power module must be installed in the RAID battery tray on top of the power interposer card.

To install a RAID adapter battery or power module remotely in the server, complete the following steps:

- Step 1. Read the safety information that begins in [“Safety” on page v](#) and [“Installation guidelines” on page 33](#).
- Step 2. Turn off the server (see [“Turning off the server” on page 23](#)) and all attached peripheral devices. Disconnect all power cords; then, disconnect all external cables from the server.
- Step 3. If the RAID adapter was shipped with a battery and battery carrier attached, disconnect the battery carrier cable from the battery and remove the three screws that secure the battery carrier to the adapter. Set the battery and battery carrier aside.

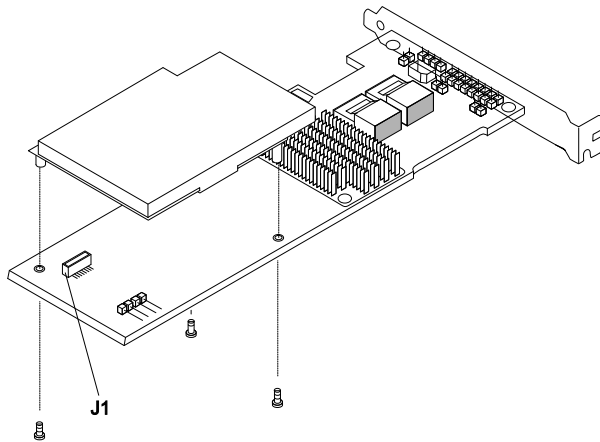


Figure 53. Screws removal from the battery carrier

- Step 4. Install the interposer card in the interposer card connector on the RAID adapter:
- a. Remove the interposer card and the screw from the bag.
 - b. Rotate the plastic standoff on the interposer card so that it aligns with the hole on the RAID adapter; then, align the connector on interposer card with the interposer card connector on the RAID adapter.

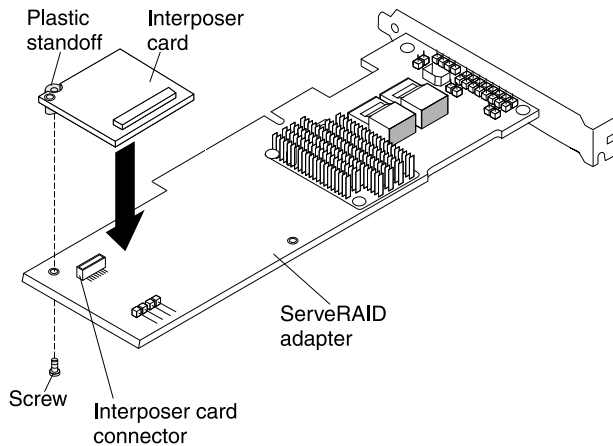


Figure 54. Interposer card and interposer card connector alignment

- c. Press the interposer card down onto the interposer card connector on the RAID adapter until it is firmly seated.
- d. From underneath the RAID adapter, insert the screw that you took from the bag and tighten the screw to secure the interposer card to the RAID adapter.

- Step 5. Connect one end of the remote battery cable to the interposer card.

Attention: To avoid damage to the hardware, make sure that the black dot on the remote battery cable connector faces away from the interposer card on the adapter. Do not force the remote battery cable into the connector.

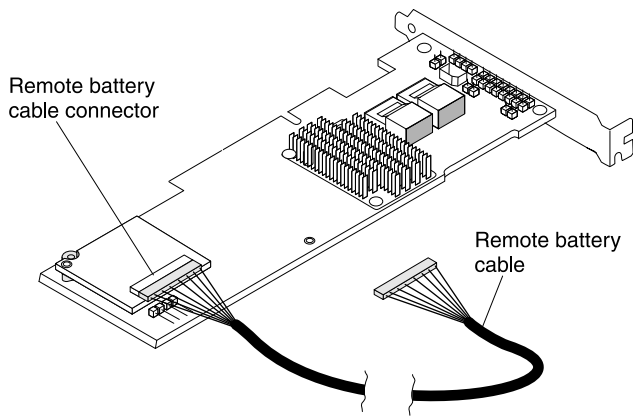


Figure 55. Interposer card connection

Step 6. Install the RAID adapter on the riser card and install the PCI riser-card assembly in the server (see [“Installing a PCI riser-card assembly” on page 48](#)).

Step 7. Connect the other end of the remote battery cable to the remote battery cable connector on the battery carrier.

Attention: To avoid damage to the hardware, make sure that the black dot on the remote battery cable connector faces away from the interposer card on the adapter. Do not force the remote battery cable into the connector.

Step 8. Route the remote battery cable in server as shown in the following illustration.

Attention: Make sure that the cable is not pinched and does not cover any connectors or obstruct any components on the system board.

Step 9. Install the battery on the safety cover:

- a. Orient the battery as shown in the following illustration; then, lower the battery onto the safety cover. If the battery comes with a battery carrier, ensure that battery carrier posts align with the rings on the battery mounting slot so that the battery carrier is secure in the slot.

Note: The positioning of the remote battery depends on the type of remote battery that you install.

- b. Rotate the retention clip to the close position and press down on the retention clip until it snaps in place to hold the battery in place.

Step 10. Connect the remote battery cable to the remote battery cable connector to the ServeRAID adapter. Route the remote battery cable in the server as shown in the following illustration.

Attention: Make sure that the cable is not pinched and does not cover any connectors or obstruct any components on the system board.

If you have other devices to install or remove, do so now. Otherwise, go to [“Completing the installation” on page 75](#).

Installing an optional 4x2.5-inch hot-swap drive backplane

You can install a System x3530 M4 4x2.5-inch hot-swap drive backplane option in the server.

To install an optional 4x2.5-inch hot-swap drive backplane, complete the following steps:

Step 1. Read the safety information that begins in [“Safety” on page v](#) and [“Installation guidelines” on page 33](#).

- Step 2. Turn off the server (see [“Turning off the server” on page 23](#)) and all attached peripheral devices. Disconnect all power cords; then, disconnect all external cables from the server.
- Step 3. Remove the top cover (see [“Removing the server top cover” on page 35](#)).
- Step 4. Connect the configuration, signal, and power cables to the connectors on the backplane, if they are not already connected.
- Step 5. Slide the backplane into the guide channels, making sure that any nearby wires or cables are not trapped or pinched.

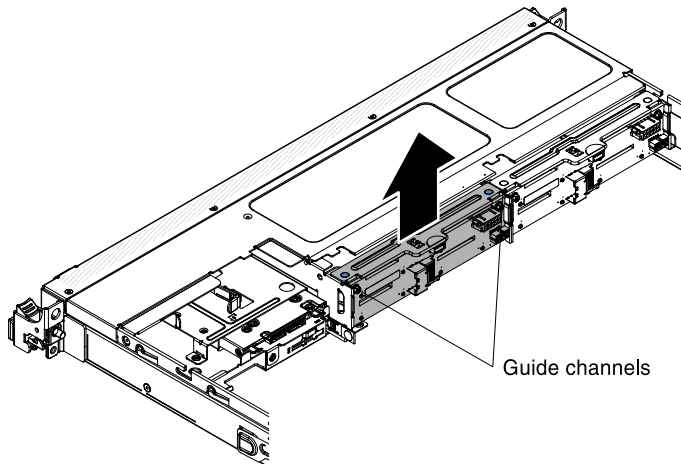


Figure 56. Backplane installation

- Step 6. Connect the cables:
 - 1. Connect the other end of the power cable to the power connector to the power supply.
 - a. The redundant power model:

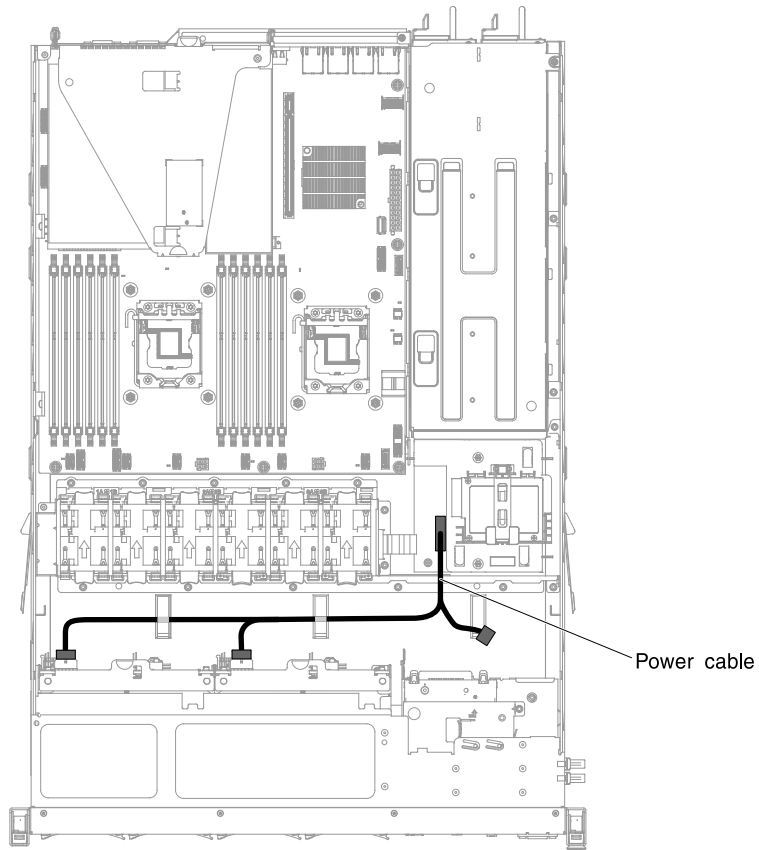


Figure 57. Power cable installation for redundant power model

b. The fixed power model:

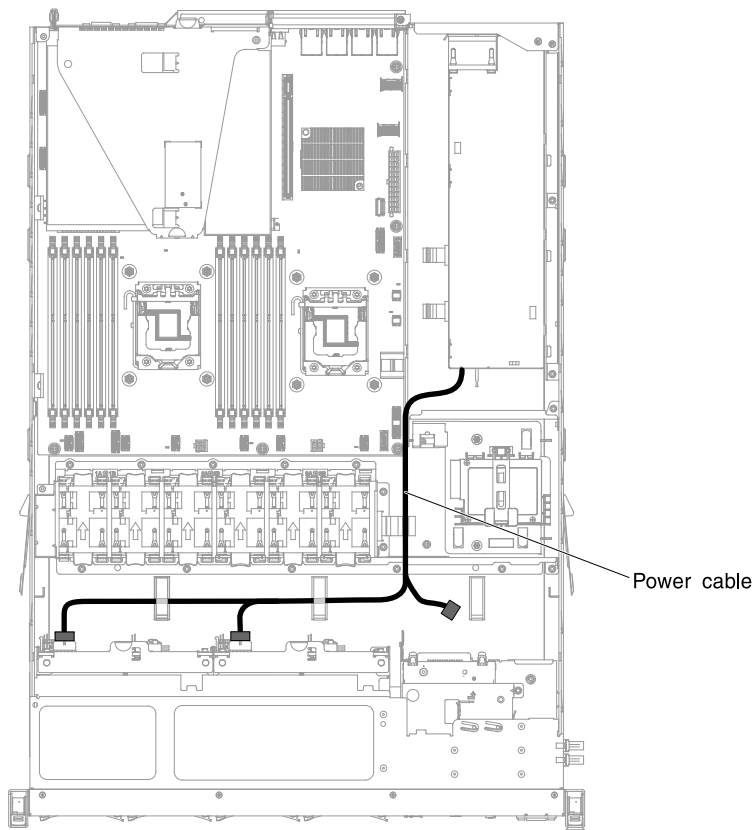


Figure 58. Power cable installation for fixed power model

2. Connect the other end of the signal cable to the Port 1 connector on the RAID adapter or the connector on the system board. Be sure to route the signal cable through the cage hole next to the power distribution board.

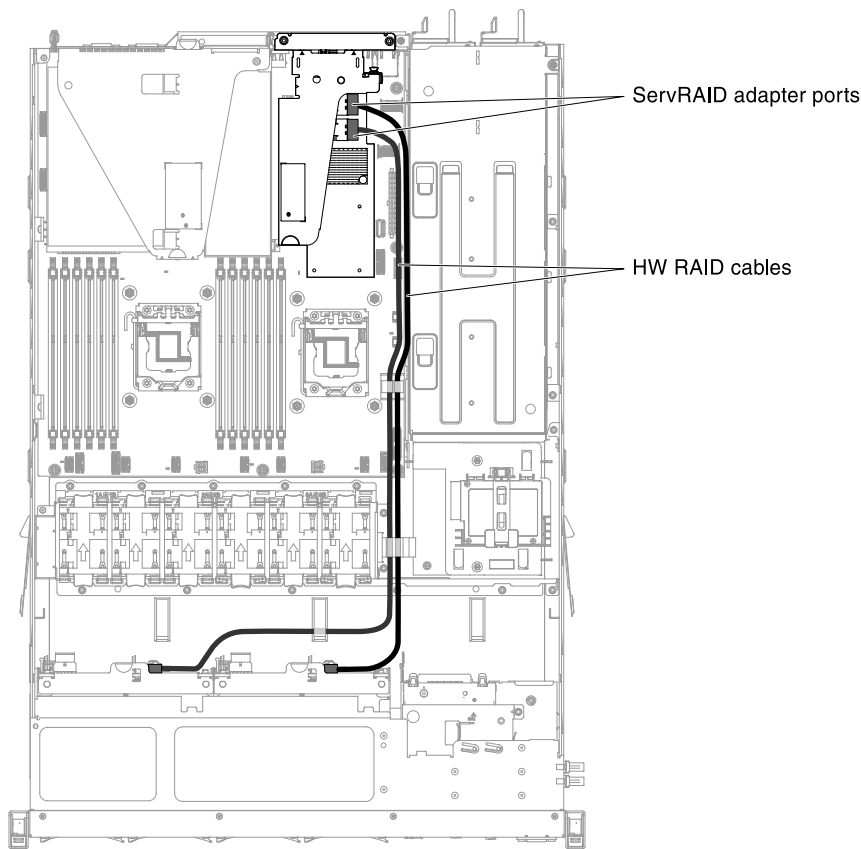


Figure 59. Signal cable installation

3. Use the cable clips on the chassis to secure the cables so that they do not get in the way or get damaged.

If you have other devices to install or remove, do so now. Otherwise, go to [“Completing the installation” on page 75](#).

Completing the installation

Use this information to complete the installation.

To complete the installation, complete the following steps:

- Step 1. If you removed the air baffle, reinstall it (see [“Replacing the air baffle” on page 76](#)).
- Step 2. If you removed a PCIe riser-card assembly, reinstall it (see [“Replacing a PCI riser-card assembly” on page 76](#)).
- Step 3. If you removed the server cover, replace it (see [“Replacing the server top cover” on page 77](#)).
- Step 4. Install the server in the rack cabinet (see the *Rack Installation Instructions* that come with the server for instructions).
- Step 5. Reconnect the cables and power cords (see [“Connecting the cables” on page 78](#)).
- Step 6. Start the server. Confirm that it starts correctly and recognizes the newly installed devices, and make sure that no error LEDs are lit.
- Step 7. Update the server configuration (see [“Updating the server configuration” on page 79](#)).
- Step 8. Complete the additional steps in [“Instructions for Business Partners” on page 25](#).

Replacing the air baffle

Use this information to replace the air baffle.

To install the air baffle, complete the following steps:

- Step 1. Read the safety information that begins in [“Safety” on page v](#) and [“Installation guidelines” on page 33](#).
- Step 2. Align the tabs on the sides of the air baffle with the slots on the fan cage and lower the air baffle into the server.

Note: Make sure that no cable is pinched.

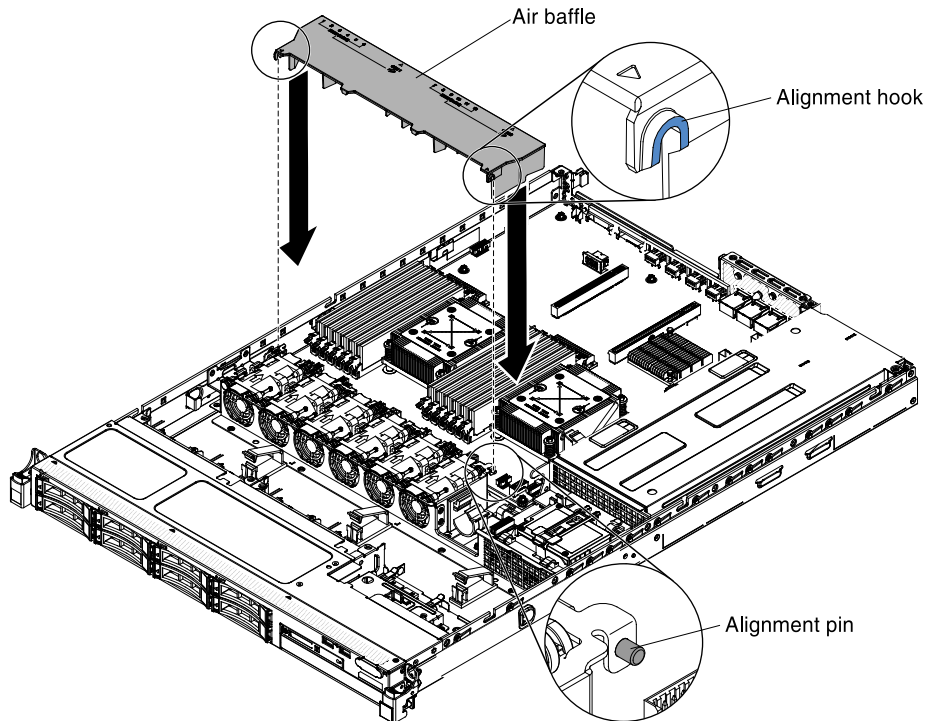


Figure 60. Air baffle installation

Replacing a PCI riser-card assembly

Use this information to replace the PCI riser-card assembly.

To replace a PCI riser-card assembly, complete the following steps:

- Step 1. Read the safety information that begins in [“Safety” on page v](#) and [“Installation guidelines” on page 33](#).
- Step 2. Install the adapter in the PCI riser-card assembly (see [“Installing an adapter” on page 49](#)).
- Step 3. Align the PCI riser-card assembly with the PCIe slot connector on the system board and align nailheads with the slots on the chassis; then, press down firmly until the riser-card assembly is seated correctly in the connector on the system board.

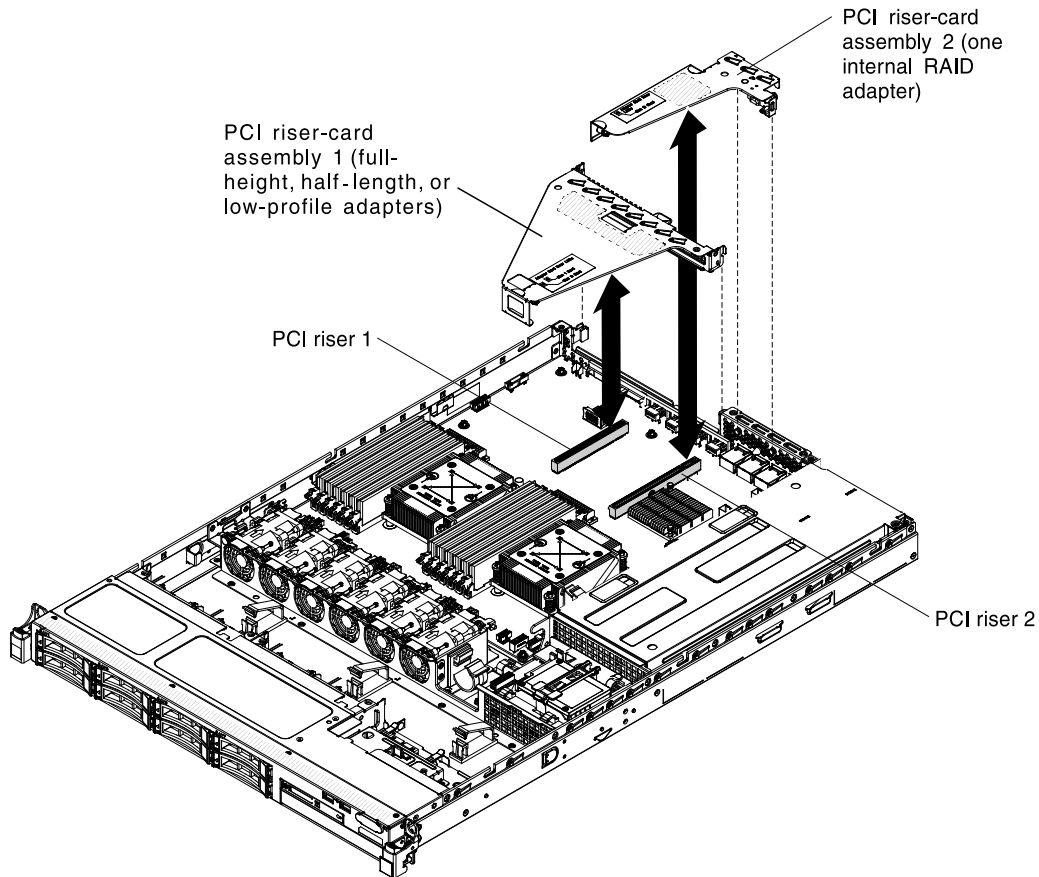


Figure 61. PCI riser-card assembly installation

Replacing the server top cover

Use this information to replace the cover.

To replace the server cover, complete the following steps:

- Step 1. Make sure that all cables, adapters, and other components are installed and seated correctly and that you have not left loose tools or parts inside the server. Also, make sure that all internal cables are correctly routed.
- Step 2. Align the cover over the server (toward the rear of the server) until the cover edges slip into position over the chassis.

Important: Before you slide the cover forward, make sure that all the tabs on the cover engage the chassis correctly. If all the tabs do not engage the chassis correctly, it will be hard to remove the cover later.

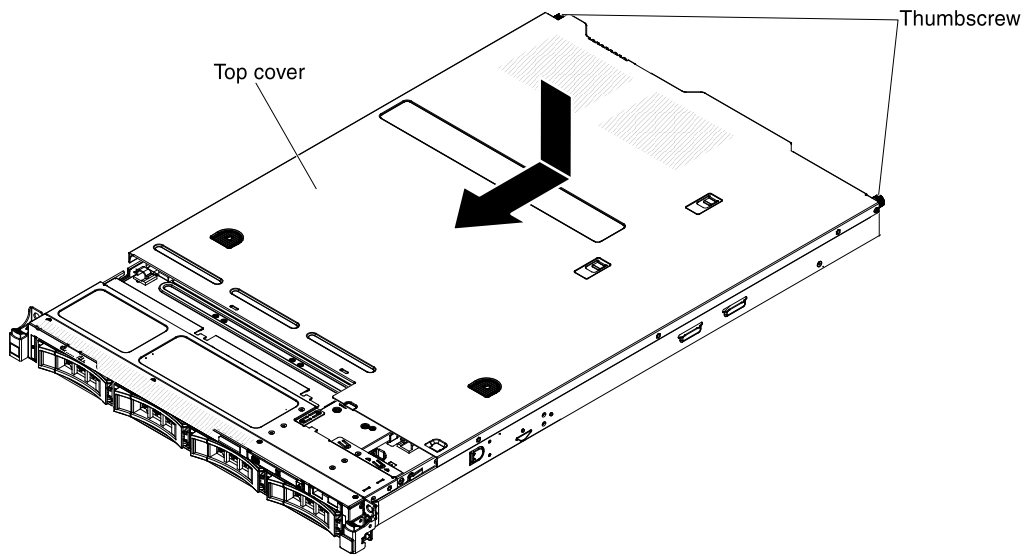


Figure 62. Cover installation

- Step 3. Slightly slide the cover toward the front of the server until the inset tabs start to engage on the server; then, tighten the thumbscrews to secure the cover to the chassis.
- Step 4. Install the server into the rack enclosure and push the server into the rack until it clicks into place.

Connecting the cables

The following illustrations show the locations of the input and output connectors of the server.

The following illustration shows the locations of the input and output connectors on the front of the server.

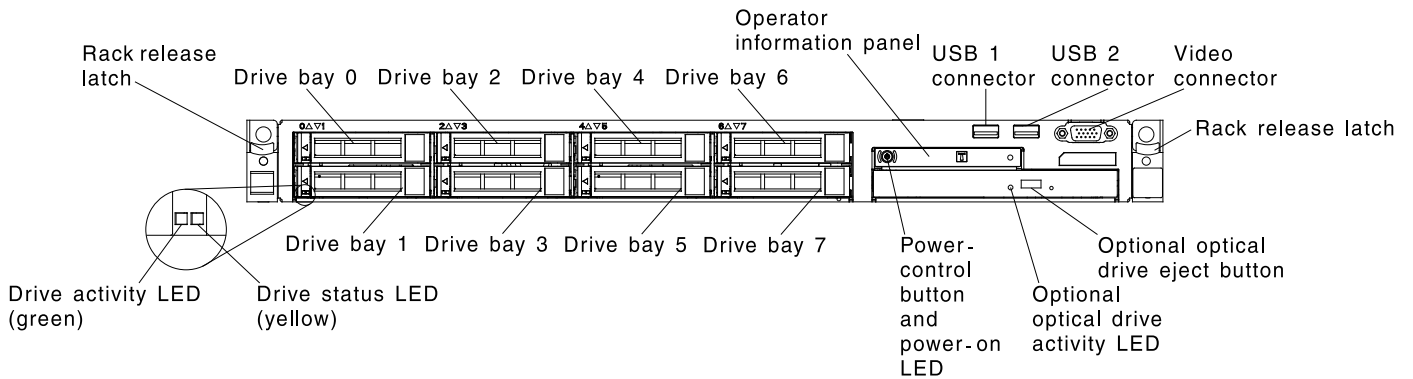


Figure 63. Front of server

The following illustration shows the locations of the input and output connectors for both non-hot-swap and hot-swap power supplies respectively on the rear of the server.

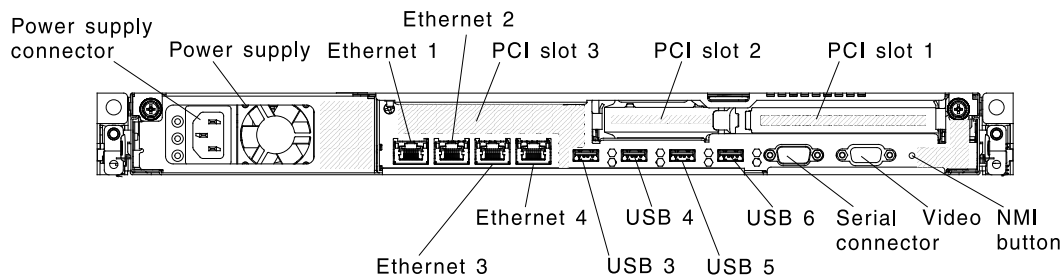


Figure 64. Rear of server for non-hot-swap power supplies

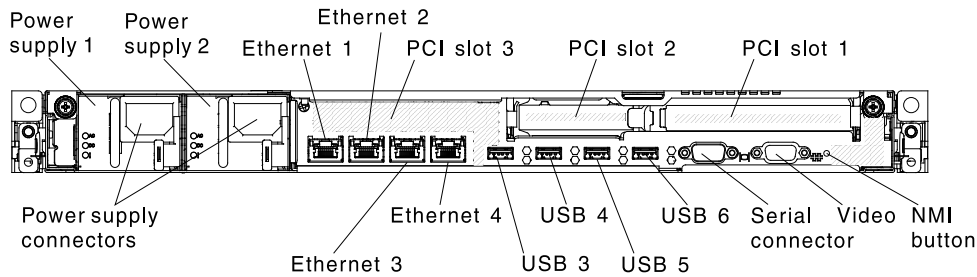


Figure 65. Rear of server for hot-swap power supplies

You must turn off the server before you connect or disconnect cables.

See the documentation that comes with any external devices for additional cabling instructions. It might be easier for you to route cables before you connect the devices to the server.

Updating the server configuration

Use this information to update the server configuration.

When you start the server for the first time after you add or remove a device, you might receive a message that the configuration has changed. The Setup utility starts automatically so that you can save the new configuration settings.

Some optional devices have device drivers that you must install. For information about installing device drivers, see the documentation that comes with each device.

If the server has an optional RAID adapter and you have installed or removed a hard disk drive, see the documentation that comes with the RAID adapter for information about reconfiguring the disk arrays.

The server comes with at least one microprocessor. If more than one microprocessor is installed, the server can operate as a symmetric multiprocessing (SMP) server. You might have to upgrade the operating system to support SMP. For more information, see [“Typical operating-system installation” on page 84](#) and the operating-system documentation.

For information about configuring the integrated Gigabit Ethernet controller, see [“Configuring the Gigabit Ethernet controller” on page 97](#).

Chapter 3. Configuration information and instructions

This chapter provides information about updating the firmware and using the configuration utilities.

Updating the firmware

Use this information to update the system firmware.

Important: Some cluster solutions require specific code levels or coordinated code updates. If the device is part of a cluster solution, verify that the latest level of code is supported for the cluster solution before you update the code.

You can install code updates that are packaged as an UpdateXpress System Pack or UpdateXpress CD image. An UpdateXpress System Pack contains an integration-tested bundle of online firmware and device-driver updates for your server. Use UpdateXpress System Pack Installer to acquire and apply UpdateXpress System Packs and individual firmware and device-driver updates. For additional information and to download the UpdateXpress System Pack Installer, go to the ToolsCenter for System x and BladeCenter at <https://support.lenovo.com/us/en/documents/LNVO-CENTER> and click **UpdateXpress System Pack Installer**.

When you click an update, an information page is displayed, including a list of the problems that the update fixes. Review this list for your specific problem; however, even if your problem is not listed, installing the update might solve the problem.

Be sure to separately install any listed critical updates that have release dates that are later than the release date of the UpdateXpress System Pack or UpdateXpress image.

The firmware for the server is periodically updated and is available for download on the IBM wb site. To check for the latest level of firmware, such as the UEFI firmware, vital product data (VPD) code, device drivers, and integrated management module (IMM) firmware, go to <http://www.ibm.com/support/fixcentral>.

Note: Before you update the firmware, be sure to back up any data that is stored in the Trusted Platform Module (TPM), in case any of the TPM characteristics are changed by the new firmware. For instructions, see your encryption software documentation.

Download the latest firmware for the server; then, install the firmware, using the instructions that are included with the downloaded files.

When you replace a device in the server, you might have to either update the firmware that is stored in memory on the device or restore the pre-existing firmware from a diskette or CD image.

The following list indicates where the firmware is stored:

- UEFI firmware is stored in ROM on the system board.
- IMM firmware is stored in ROM on the system board.
- Ethernet firmware is stored in ROM on the Ethernet controller.
- ServeRAID firmware is stored in ROM on the ServeRAID adapter.
- SAS/SATA firmware is stored in ROM on the SAS/SATA controller on the system board.

Configuring UEFI compatible devices

Use this information to configure UEFI compatible devices.

UEFI compatible expansion cards can be configured through the Setup utility. To configure a UEFI compatible expansion card, complete the following steps:

Note: Before configuring a UEFI compatible device, it is recommended to update the firmware for your server. See [“Updating the firmware” on page 81](#) for information on how to update the firmware for your server.

1. Run the Setup utility (see [“Using the Setup utility” on page 85](#)).
2. Select **System Settings** → **Network** or **Storage** depending on the type of your adapters.

Note: Select **System Settings** → **Adapters and UEFI drivers** for UEFI 2.0 (and prior) compliant adapters and drivers installed in the server.

3. Select **Please refresh this page first** and press Enter.
4. Select the device driver that you want to configure and press Enter.
5. When you have finished changing settings, press Esc to exit from the program; select **Save** to save the settings that you have changed.

Configuring the server

The following configuration programs come with the server:

- **Setup utility**

The UEFI Setup Utility program is part of the basic input/output system firmware. Use it to change interrupt request (IRQ) settings, change the startup-device sequence, set the date and time, and set passwords. For information about using this program, see [“Using the Setup utility” on page 85](#).

- **Boot Manager program**

The Boot Manager program is part of the server firmware. Use it to override the startup sequence that is set in the Setup utility and temporarily assign a device to be first in the startup sequence. For more information about using this program, see [“Using the Boot Manager program” on page 92](#).

- **IBM ServerGuide Setup and Installation CD**

The ServerGuide program provides software-setup tools and installation tools that are designed for the server. Use this CD during the installation of the server to configure basic hardware features, such as an integrated SAS/SATA controller with RAID capabilities, and to simplify the installation of your operating system. For information about using this CD, see [“Using the ServerGuide Setup and Installation CD” on page 83](#).

- **IBM FastSetup**

IBM FastSetup is a no-cost software tool that helps simplify the maintenance and deployment of selected IBM BladeCenter chassis, servers, and components. The intuitive graphical interface initializes all phases of server setup, including discovery, update, and configuration. Features include templates that enable replication of settings to many servers and automation that reduces hands-on time and user errors. Wizards and other default settings enable customization capabilities. The low-touch, set-once and walk-away feature reduces the hands-on server setup time from days to minutes, particularly for larger deployments. For information about this tool, see <http://www.ibm.com/support/entry/portal/docdisplay?Indocid=TOOL-FASTSET>.

- **Integrated Management Module**

Use the integrated management module II (IMM2) for configuration, to update the firmware and sensor data record/field replaceable unit (SDR/FRU) data, and to remotely manage a network. For information about using the IMM, see “[Using the integrated management module II](#)” on page 92 and the *Integrated Management Module User's Guide* at www.ibm.com/support/entry/portal/docdisplay?Indocid=MIGR-5089484&brandind=5000008.

- **VMware ESXi embedded hypervisor**

An optional USB flash device with VMware ESXi embedded hypervisor software is available for purchase. Hypervisor is virtualization software that enables multiple operating systems to run on a host system at the same time. The USB embedded hypervisor flash device installs in the USB connector on the system board. For more information about using the embedded hypervisor, see “[Using the embedded hypervisor](#)” on page 94.

- **Remote presence capability and blue-screen capture**

The remote presence and blue-screen capture features are integrated functions of the Integrated Management Module II (IMM2). The remote presence feature provides the following functions:

- Remotely viewing video with graphics resolutions up to 1600 x 1200 at 75 Hz, regardless of the system state
- Remotely accessing the server, using the keyboard and mouse from a remote client
- Mapping the CD or DVD drive, diskette drive, and USB flash drive on a remote client, and mapping ISO and diskette image files as virtual drives that are available for use by the server
- Uploading a diskette image to the IMM memory and mapping it to the server as a virtual drive

The blue-screen capture feature captures the video display contents before the IMM restarts the server when the IMM detects an operating-system hang condition. A system administrator can use the blue-screen capture feature to assist in determining the cause of the hang condition.

- **Ethernet controller configuration**

For information about configuring the Ethernet controller, see “[Configuring the Gigabit Ethernet controller](#)” on page 97.

- **Configuring RAID arrays**

For information about configuring RAID arrays, see “[Configuring RAID arrays](#)” on page 98.

- **IBM Advanced Settings Utility (ASU) program**

Use this program as an alternative to the Setup utility for modifying UEFI settings and IMM settings. Use the ASU program online or out of band to modify UEFI settings from the command line without the need to restart the server to access the Setup utility. For more information about using this program, see “[Advanced Settings Utility program](#)” on page 100.

Using the ServerGuide Setup and Installation CD

Use this information as an overview for using the ServerGuide Setup and Installation CD.

The *ServerGuide Setup and Installation CD* provides software setup tools and installation tools that are designed for your server. The ServerGuide program detects the server model and optional hardware devices that are installed and uses that information during setup to configure the hardware. The ServerGuide simplifies the operating-system installations by providing updated device drivers and, in some cases, installing them automatically.

You can download a free image of the *ServerGuide Setup and Installation CD* or purchase the CD from the ServerGuide fulfillment Web site at <http://www.ibm.com/support/entry/portal/docdisplay?Indocid=SERV-GUIDE>. To download the free image, click **IBM Service and Support Site**.

Note: Changes are made periodically to the IBM web site. The actual procedure might vary slightly from what is described in this document.

The ServerGuide program requires a supported IBM server with an enabled startable (bootable) CD drive. In addition to the *ServerGuide Setup and Installation* CD, you must have your operating-system CD to install the operating system.

To start the *ServerGuide Setup and Installation* CD, complete the following steps:

1. Insert the CD, and restart the server. If the CD does not start, see [“ServerGuide problems” on page 146](#).
2. Follow the instructions on the screen to complete the following steps:
 - a. Select your language.
 - b. Select your keyboard layout and country.
 - c. View the overview to learn about ServerGuide features.
 - d. View the readme file to review installation tips for your operating system and adapter.
 - e. Start the operating-system installation. You will need your operating-system CD.

ServerGuide features

This information provides an overview of the ServerGuide features.

Features and functions can vary slightly with different versions of the ServerGuide program. To learn more about the version that you have, start the *ServerGuide Setup and Installation* CD and view the online overview. Not all features are supported on all server models.

The ServerGuide program performs the following tasks:

- Sets system date and time
- Detects the RAID adapter or controller and runs the SAS/SATA RAID configuration program
- Checks the microcode (firmware) levels of a ServeRAID adapter and determines whether a later level is available from the CD
- Detects installed hardware options and provides updated device drivers for most adapters and devices
- Provides diskette-free installation for supported Windows operating systems
- Includes an online readme file with links to tips for your hardware and operating-system installation

Setup and configuration overview

Use this information for the ServerGuide setup and configuration.

When you use the *ServerGuide Setup and Installation* CD, you do not need setup diskettes. You can use the CD to configure any supported IBM server model. The setup program provides a list of tasks that are required to set up your server model. On a server with a ServeRAID adapter or SAS/SATA controller with RAID capabilities, you can run the SAS/SATA RAID configuration program to create logical drives.

Note: Features and functions can vary slightly with different versions of the ServerGuide program.

Typical operating-system installation

This section details the ServerGuide typical operating-system installation.

The ServerGuide program can reduce the time it takes to install an operating system. It provides the device drivers that are required for your hardware and for the operating system that you are installing. This section describes a typical ServerGuide operating-system installation.

Note: Features and functions can vary slightly with different versions of the ServerGuide program.

1. After you have completed the setup process, the operating-system installation program starts. (You will need your operating-system CD to complete the installation.)
2. The ServerGuide program stores information about the server model, service processor, hard disk drive controllers, and network adapters. Then, the program checks the CD for newer device drivers. This information is stored and then passed to the operating-system installation program.
3. The ServerGuide program presents operating-system partition options that are based on your operating-system selection and the installed hard disk drives.
4. The ServerGuide program prompts you to insert your operating-system CD and restart the server. At this point, the installation program for the operating system takes control to complete the installation.

Installing your operating system without using ServerGuide

Use this information to install the operating system on the server without using ServerGuide.

If you have already configured the server hardware and you are not using the ServerGuide program to install your operating system, you can download operating-system installation instructions for the server from <http://www.lenovo.com/support>.

Using the Setup utility

Use these instructions to start the Setup utility.

Use the Unified Extensible Firmware Interface (UEFI) Setup Utility program to perform the following tasks:

- View configuration information
- View and change assignments for devices and I/O ports
- Set the date and time
- Set and change passwords
- Set the startup characteristics of the server and the order of startup devices
- Set and change settings for advanced hardware features
- View, set, and change settings for power-management features
- View and clear error logs
- Change interrupt request (IRQ) settings
- Resolve configuration conflicts

Starting the Setup utility

Use this information to start up the Setup utility.

To start the Setup utility, complete the following steps:

Step 1. Turn on the server.

Note: Approximately 1 to 3 minutes after the server is connected to ac power, the power-control button becomes active.

Step 2. When the prompt <F1> Set up is displayed, press F1. If you have set an administrator password, you must type the administrator password to access the full Setup utility menu. If you do not type the administrator password, a limited Setup utility menu is available.

Step 3. Select settings to view or change.

Setup utility menu choices

Use the Setup utility main menu to view and configure server configuration data and settings.

The following choices are on the Setup utility main menu for the UEFI. Depending on the version of the firmware, some menu choices might differ slightly from these descriptions.

- **System Information**

Select this choice to view information about the server. When you make changes through other choices in the Setup utility, some of those changes are reflected in the system information; you cannot change settings directly in the system information. This choice is on the full Setup utility menu only.

- **System Summary**

Select this choice to view configuration information, including the ID, speed, and cache size of the microprocessors, machine type and model of the server, the serial number, the system UUID, and the amount of installed memory. When you make configuration changes through other options in the Setup utility, the changes are reflected in the system summary; you cannot change settings directly in the system summary.

- **Product Data**

Select this choice to view the system-board identifier, the revision level or issue date of the firmware, the integrated management module and diagnostics code, and the version and date.

This choice is on the full Setup utility menu only.

- **System Settings**

Select this choice to view or change the server component settings.

- **Adapters and UEFI Drivers**

Select this choice to view information about the adapters and device drivers installed in the server that are compliant with UEFI 1.10 and UEFI 2.0.

- **Processors**

Select this choice to view or change the processor settings.

- **Memory**

Select this choice to view or change the memory settings. To configure memory mirroring, select **System Settings** → **Memory** → **Memory Mode** → **Mirrored**.

- **Devices and I/O Ports**

Select this choice to view or change assignments for devices and input/output (I/O) ports. You can configure the serial ports; configure remote console redirection; enable or disable integrated Ethernet controllers, the SAS/SATA adapter, SATA optical drive channels, and PCI slots; and view the system Ethernet MAC addresses. If you disable a device, it cannot be configured, and the operating system will not be able to detect it (this is equivalent to disconnecting the device).

- **Power**

Select this choice to view or change power capping to control consumption, processors, and performance states.

- **Active Energy Manager**

Select this choice to enable or disable power capping. If you enable power capping, the Active Energy Manager program will limit the maximum power that is consumed by the server.

Note: It is available only when **System Settings** → **Processors** → **Processor Performance States** is enabled.

- **Power/Performance Bias**

Select this choice to determine how the power management of the microprocessor is controlled. You can choose either Platform Controlled (system) or OS Controlled (operating system) to control the setting. Not all operating systems support this feature.

- **Platform Controlled Type**

Select this choice to determine how to balance between performance and power consumption. Choosing Maximum Performance will disable power management functions and allow the most aggressive use of turbo. Choosing Minimal Power will maximize the use of power management features for least power consumption and disable turbo.

Note: It is available only when **System Settings** → **Power** → **Power/Performance Bias** → **Platform Controlled** is enabled.

- **Workload Configuration**

Select this choice to determine how to balance between I/O bandwidth and balanced workload. Choosing I/O sensitive will get higher I/O bandwidth while expansion cards are used. Choosing Balanced will allow enough frequency for workload while the microprocessor cores are idle.

- **Operating Modes**

Select this choice to view or change the operating profile (performance and power utilization). This choice specifies a preset operating mode to configure the server for maximum power savings, maximum efficiency, and maximum performance.

- **Choose Operating Mode**

Select the operating mode based on your preference. Power savings and performance are also highly dependent on hardware and software running on the system. When a present mode is selected, the low-level settings are not changeable and will be grayed out.

- **Memory Speed**

Select the desired memory speed. Maximum performance mode maximizes performance. Balanced mode offers a balance between performance and power. Minimal power mode maximizes power savings.

- **Memory Power Management**

Select this choice to enable or disable power management on memory. If you choose Disabled, it will provide maximum performance but minimum power savings. If you choose Automatic, it is suitable for most applications.

- **Proc Performance States**

Select this choice to enable or disable processor performance states. Enabling processor performance states (Intel Speedstep Technology) saves power by reducing speed and voltage as the microprocessor utilization is reduced.

Note: Some operating systems must have the correct power profile selected to take advantage of this feature.

- **C1 Enhance Mode**

Select this choice to enable or disable C1E (C1 Enhanced) state. Enabling C1E (C1 Enhanced) state can save power by halting CPU cores that are idle.

Note: An operating system that supports C1E state must be installed to take advantage of this feature. Changing this setting will be effective after the next system reboot.

- **QPI Link Frequency**

Select this choice to determine the desired microprocessor QPI link frequency. Maximum performance mode maximizes performance. Balanced mode offers a balance between performance and power. Minimal power maximizes power savings.

- **Turbo Mode**

Select this choice to enable or disable turbo mode. Enabling turbo mode can boost the overall microprocessor performance when all microprocessor cores are not fully utilized. A microprocessor core can run above its rated frequency for a short period of time when it is in turbo mode.

- **CPU C-States**

Select this choice to enable or disable ACPI C2 Processor Power states. It will be effective after the next system reboot.

- **Package ACPI CState Limit**

Select this choice to determine the level of C-state. Selecting a higher C-state limit allows the microprocessors to consume less power when they are idle. If you experience problems with legacy operating systems, set the ACPI Cstate limit to C2.

- **Power/Performance Bias**

Select this choice to determine how the power management of the microprocessor is controlled. You can choose either Platform Controlled (system) or OS Controlled (operating system) to control the setting. Not all operating systems support this feature.

- **Platform Controlled Type**

Select this choice to determine how to balance between performance and power consumption. Choosing Maximum Performance will disable power management functions and allow the most aggressive use of turbo. Choosing Minimal Power will maximize the use of power management features for least power consumption and disable turbo.

- **Legacy Support**

Select this choice to view or set legacy support.

Note: In the legacy mode, this system has limited ROM space for installed options. At most four network interface cards (NICs) are supported for legacy PXE boot. If more than four NICs are installed, legacy PXE boot will not be attempted on some of the NICs. To enable legacy PXE boot on the desired NIC connectors, prioritize the desired NIC connectors by changing the **Rom execution Order** or disable the NIC connectors that you do not use from **Enable/Disable Adapter Option ROM Support** menu.

- **Force Legacy Video on Boot**

Select this choice to force INT video support, if the operating system does not support UEFI video output standards.

- **Rehook INT 19h**

Select this choice to enable or disable devices from taking control of the boot process. The default is **Disable**.

- **Legacy Thunk Support**

Select this choice to enable or disable UEFI to interact with PCI mass storage devices that are non-UEFI compliant.

- **Infinite Boot Retry**

Select this choice to enable or disable infinitely retry the Legacy Boot order.

- **BBS Boot**

Select this choice to enable or disable legacy boot in BBS manner.

- **System Security**

Select this choice to view or configure Trusted Platform Module (TPM) support.

- **Integrated Management Module**

Select this choice to view or change the settings for the integrated management module.

- **Power Restore Policy**

Select this choice to view or enable the POST watchdog timer.

- **Commands on USB Interface Preference**

Select this choice to enable or disable the Ethernet over USB interface on IMM.

- **Network Configuration**

Select this choice to view the system management network interface port, the IMM MAC address, the current IMM IP address, and the host name; define the static IMM IP address, subnet mask, and gateway address; specify whether to use the static IP address or have DHCP assign the IMM IP address; save the network changes; and reset the IMM.

- **Reset IMM to Defaults**

Select this choice to view or reset IMM to the default settings.

- **Reset IMM**

Select this choice to reset the IMM settings.

- **Recovery**

Select this option to configure recovery settings.

- **Storage**

Select this option to see all the storage device settings.

- **Network**

Select this choice to view or configure the network device options, such as iSCSI, PXE, and network devices. There might be additional configuration choices for optional network devices that are compliant with UEFI 2.1 and later.

- **Driver Health**

Select this option to view the status of the controllers in the system as reported by their corresponding drivers.

- **Date and Time**

Select this choice to set the date and time in the server, in 24-hour format (*hour:minute:second*).

This choice is on the full Setup utility menu only.

- **Start Options**

Select this choice to view or change the start options, including the startup sequence, keyboard NumLock state, PXE boot option, and PCI device boot priority. Changes in the startup options take effect when you start the server.

The startup sequence specifies the order in which the server checks devices to find a boot record. The server starts from the first boot record that it finds. If the server has Wake on LAN hardware and software and the operating system supports Wake on LAN functions, you can specify a startup sequence for the Wake on LAN functions. For example, you can define a startup sequence that checks for a disc in the CD-RW/DVD drive, then checks the hard disk drive, and then checks a network adapter.

This choice is on the full Setup utility menu only.

- **Boot Manager**

Select this choice to view, add, delete, or change the device boot priority, boot from a file, select a one-time boot, or reset the boot order to the default setting.

- **System Event Logs**

Select this choice to enter the System Event Manager, where you can view the POST event log and the system-event log. You can use the arrow keys to move between pages in the error log.

The POST event log contains the three most recent error codes and messages that were generated during POST.

The system-event log contains POST and system management interrupt (SMI) events and all events that are generated by the baseboard management controller that is embedded in the integrated management module (IMM).

Important: If the system-error LED on the front of the server is lit but there are no other error indications, clear the system-event log. Also, after you complete a repair or correct an error, clear the system-event log to turn off the system-error LED on the front of the server.

- **POST Event Viewer**

Select this choice to enter the POST event viewer to view the POST event log.

- **System Event Log**

Select this choice to view the system event log.

- **Clear System Event Log**

Select this choice to clear the system event log.

- **User Security**

Select this choice to set, change, or clear passwords. See [“Passwords” on page 91](#) for more information.

This choice is on the full and limited Setup utility menu.

- **Power-on Password**

Select this choice to set or change a power-on password. See [“Power-on password” on page 91](#) for more information.

- **Administrator Password**

Select this choice to set or change an administrator password. An administrator password is intended to be used by a system administrator; it limits access to the full Setup utility menu. If an administrator password is set, the full Setup utility menu is available only if you type the administrator password at the password prompt. For more information, see [“Administrator password” on page 91](#).

- **Save Settings**

Select this choice to save the changes that you have made in the settings.

- **Restore Settings**

Select this choice to cancel the changes that you have made in the settings and restore the previous settings.

- **Load Default Settings**

Select this choice to cancel the changes that you have made in the settings and restore the factory settings.

- **Exit Setup**

Select this choice to exit from the Setup utility. If you have not saved the changes that you have made in the settings, you are asked whether you want to save the changes or exit without saving them.

Passwords

From the **User Security** menu choice, you can set, change, and delete a power-on password and an administrator password.

The **User Security** choice is on the full Setup utility menu only.

If you set only a power-on password, you must type the power-on password to complete the system startup and to have access to the full Setup utility menu.

An administrator password is intended to be used by a system administrator; it limits access to the full Setup utility menu. If you set only an administrator password, you do not have to type a password to complete the system startup, but you must type the administrator password to access the Setup utility menu.

If you set a power-on password for a user and an administrator password for a system administrator, you can type either password to complete the system startup. A system administrator who types the administrator password has access to the full Setup utility menu; the system administrator can give the user authority to set, change, and delete the power-on password. A user who types the power-on password has access to only the limited Setup utility menu; the user can set, change, and delete the power-on password, if the system administrator has given the user that authority.

Power-on password

If a power-on password is set, when you turn on the server, you must type the power-on password to complete the system startup. You can use any combination of 6 - 20 printable ASCII characters for the password.

When a power-on password is set, you can enable the Unattended Start mode, in which the keyboard and mouse remain locked but the operating system can start. You can unlock the keyboard and mouse by typing the power-on password.

If you forget the power-on password, you can regain access to the server in any of the following ways:

- If an administrator password is set, type the administrator password at the password prompt. Start the Setup utility and reset the power-on password.
- Remove the battery from the server and then reinstall it. See [“Removing the system battery” on page 252](#) for instructions for removing the battery.
- Clear CMOS data by using the clear CMOS jumper (see [“System-board jumpers” on page 29](#) for more information).

Attention: Before you change any switch settings or move any jumpers, turn off the server; then, disconnect all power cords and external cables. See the safety information that begins in [“Safety” on page v](#). Do not change settings or move jumpers on any system-board switch or jumper blocks that are not shown in this document.

Clearing CMOS data does not affect the administrator password.

Administrator password

If an administrator password is set, you must type the administrator password for access to the full Setup utility menu. You can use any combination of 6 to 20 printable ASCII characters for the password.

Attention: If you set an administrator password and then forget it, there is no way to change, override, or remove it. You must replace the system board.

Using the Boot Manager program

Use this information for the Boot Manager.

The Boot Manager program is a built-in, menu-driven configuration utility program that you can use to temporarily redefine the first startup device without changing settings in the Setup utility.

To use the Boot Manager program, complete the following steps:

- Step 1. Turn off the server.
- Step 2. Restart the server.
- Step 3. When the prompt <F12> Select Boot Device is displayed, press F12. If a bootable USB mass storage device is installed, a submenu item (**USB Key/Disk**) is displayed.
- Step 4. Use the Up arrow and Down arrow keys to select an item from the **Boot Selection Menu** and press **Enter**.

The next time the server starts, it returns to the startup sequence that is set in the Setup utility.

Starting the backup server firmware

Use this information to start the backup server firmware.

The system board contains a backup copy area for the server firmware. This is a secondary copy of the server firmware that you update only during the process of updating the server firmware. If the primary copy of the server firmware becomes damaged, use this backup copy.

To force the server to start from the backup copy, turn off the server; then, place the J2 jumper in the backup position (pins 2 and 3).

Use the backup copy of the server firmware until the primary copy is restored. After the primary copy is restored, turn off the server; then, move the J2 jumper back to the primary position (pins 1 and 2).

The UpdateXpress System Pack Installer

The UpdateXpress System Pack Installer detects supported and installed device drivers and firmware in the server and installs available updates.

For additional information and to download the UpdateXpress System Pack Installer, go to the ToolsCenter for System x and BladeCenter at <http://publib.boulder.ibm.com/infocenter/toolsctr/v1r0/> and click **UpdateXpress System Pack Installer**.

Using the integrated management module II

The integrated management module (IMM) is a second generation of the functions that were formerly provided by the baseboard management controller hardware. It combines service processor functions, video controller, and remote presence function in a single chip.

The IMM supports the following basic systems-management features:

- Active Energy Manager.
- Alerts (in-band and out-of-band alerting, PET traps - IPMI style, SNMP, e-mail).
- Auto Boot Failure Recovery (ABR).

- Automatic microprocessor disable on failure and restart in a two-microprocessor configuration when one microprocessor signals an internal error. When one of the microprocessors fail, the server will disable the failing microprocessor and restart with the other microprocessor.
- Automatic Server Restart (ASR) when POST is not complete or the operating system hangs and the operating system watchdog timer times-out. The IMM might be configured to watch for the operating system watchdog timer and reboot the system after a timeout, if the ASR feature is enabled. Otherwise, the IMM allows the administrator to generate a nonmaskable interrupt (NMI) by pressing an NMI button on the light path diagnostics panel for an operating-system memory dump. ASR is supported by IPMI.
- A virtual media key, which enables remote presence support (remote video, remote keyboard/mouse, and remote storage).
- Boot sequence manipulation.
- Command-line interface.
- Configuration save and restore.
- DIMM error assistance. The Unified Extensible Firmware Interface (UEFI) disables a failing DIMM that is detected during POST, and the IMM lights the associated system error LED and the failing DIMM error LED.
- Environmental monitor with fan speed control for temperature, voltages, fan failure, power supply failure, and power backplane failure.
- Intelligent Platform Management Interface (IPMI) Specification V2.0 and Intelligent Platform Management Bus (IPMB) support.
- Invalid system configuration (CNFG) LED support.
- Light path diagnostics LEDs indicators to report errors that occur with fans, power supplies, microprocessor, hard disk drives, and system errors.
- Local firmware code flash update
- Nonmaskable interrupt (NMI) detection and reporting.
- Operating-system failure blue screen capture.
- PCI configuration data.
- PECI 3 support.
- Power/reset control (power-on, hard and soft shutdown, hard and soft reset, schedule power control).
- Query power-supply input power.
- ROM-based IMM firmware flash updates.
- Serial over LAN (SOL).
- Serial port redirection over telnet or ssh.
- SMI handling
- System event log (SEL) - user readable event log.

The IMM also provides the following remote server management capabilities through the OSA SMBridge management utility program:

- **Command-line interface (IPMI Shell)**

The command-line interface provides direct access to server management functions through the IPMI 2.0 protocol. Use the command-line interface to issue commands to control the server power, view system information, and identify the server. You can also save one or more commands as a text file and run the file as a script.

- **Serial over LAN**

Establish a Serial over LAN (SOL) connection to manage servers from a remote location. You can remotely view and change the UEFI settings, restart the server, identify the server, and perform other management functions. Any standard Telnet client application can access the SOL connection.

For more information about IMM, see the *Integrated Management Module User's Guide* at www.ibm.com/support/entry/portal/docdisplay?Indocid=MIGR-5089484&brandind=5000008.

Using the embedded hypervisor

The VMware ESXi embedded hypervisor software is available on the optional IBM USB flash device with embedded hypervisor.

The USB flash device can be installed in the USB connector near PCI riser slot 1 on the system board. Hypervisor is virtualization software that enables multiple operating systems to run on a host system at the same time. The USB flash device is required to activate the hypervisor functions.

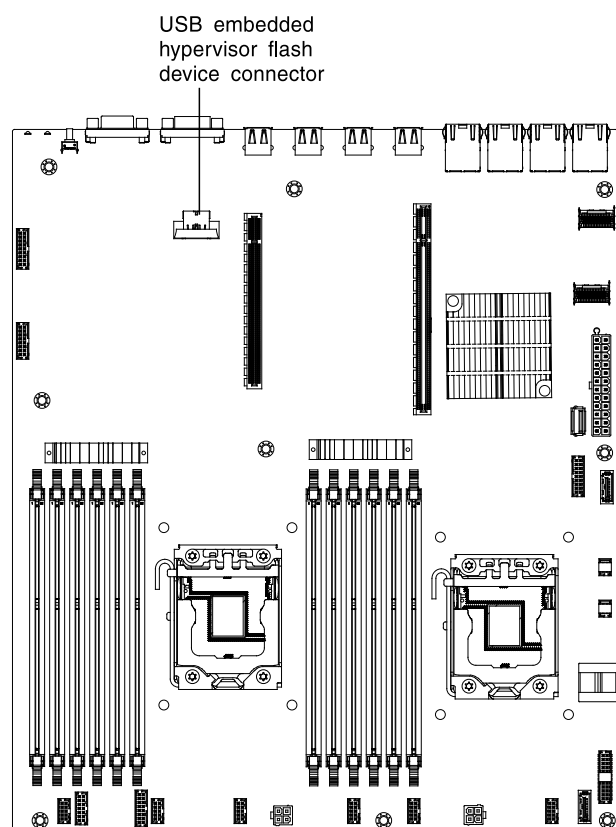


Figure 66. Location of the embedded hypervisor USB flash device

To start using the embedded hypervisor functions, you must add the USB flash device to the startup sequence in the Setup utility.

To add the USB flash device to the startup sequence, complete the following steps:

Step 1. Turn on the server.

Note: Approximately 1 to 3 minutes after the server is connected to ac power, the power-control button becomes active.

Step 2. When the prompt <F1> Set up is displayed, press F1.

- Step 3. From the Setup utility main menu, select **Boot Manager**.
- Step 4. Select **Add Boot Option**; then, select **USB Storage**. Press Enter, and then select Esc.
- Step 5. Select **Change Boot Order** and then select **Commit Changes**; then, press Enter.
- Step 6. Select **Save Settings** and then select **Exit Setup**.

If the embedded hypervisor flash device image becomes corrupt, you can use the *VMware Recovery* CD that comes with the system to recover the flash device image. To recover the flash device image, complete the following steps:

1. Turn on the server.

Note: Approximately 1 to 3 minutes after the server is connected to ac power, the power-control button becomes active.

2. Insert the VMware Recovery CD into the CD or DVD drive.
3. Follow the instructions on the screen.

For additional information and instructions, see the *VMware ESXi Server 31 Embedded Setup Guide* at <http://www-03.ibm.com/systems/x/os/vmware/esxi/>

Using the remote presence and blue-screen capture features

The remote presence and blue-screen capture features are integrated functions of the integrated management module II (IMM2).

The remote presence feature provides the following functions:

- Remotely viewing video with graphics resolutions up to 1600 x 1200 at 75 Hz, regardless of the system state
- Remotely accessing the server, using the keyboard and mouse from a remote client
- Mapping the CD or DVD drive, diskette drive, and USB flash drive on a remote client, and mapping ISO and diskette image files as virtual drives that are available for use by the server
- Uploading a diskette image to the IMM memory and mapping it to the server as a virtual drive

The blue-screen capture feature captures the video display contents before the IMM restarts the server when the IMM detects an operating-system hang condition. A system administrator can use the blue-screen capture to assist in determining the cause of the hang condition.

For more information on Features on Demand (FoD), including instructions for automating the activation and installation of the activation key by using IBM ToolsCenter or IBM Director, see the IBM System x Features on Demand User's Guide at <https://fod.lenovo.com/lkms> under the Help section.

Note: The server may need to be restarted to activate the feature.

Obtaining the IP address for the IMM

Use this information to obtain the IP address for the IMM.

If you are logging on to the IMM for the first time after installation, the IMM defaults to DHCP. If a DHCP server is not available, the IMM uses a static IP address of 192.168.70.125. The default IPv4 host name is "IMM-" (plus the last 12 characters on the IMM MAC address). The default host name also comes on the IMM network access tag that comes attached to the power supply on the rear of the server. The IMM network access tag provides the default host name of the IMM and does not require you to start the server.

The IPv6 link-local address (LLA) is derived from the IMM default host name. The IMM LLA is on the IMM network access tag is on the power supply on the rear of the server. To derive the link-local address, complete the following steps:

Note: IPv6 address will not immediately show on host address when we change the values and have to exit and re-visit the driver to get the actual value.

- Step 1. Take the last 12 characters on the IMM MAC address (for example, 5CF3FC5EAAD0).
- Step 2. Separate the number into pairs of hexadecimal characters (for example, 5C:F3:FC:5E:AA:D0).
- Step 3. Separate the first six and last six hexadecimal characters.
- Step 4. Add “FF” and “FE” in the middle of the 12 characters (for example, 5C F3 FC FF FE 5E AA D0).
- Step 5. Convert the first pair of hexadecimal characters to binary (for example, 5=0101, C=1100, which results in 01011100 F3 FC FF FE 5E AA D0).
- Step 6. Flip the 7th binary character from left (0 to 1 or 1 to 0), which results in 01011110 F3 FF FE 5E AA D0.
- Step 7. Convert the binary back to hexadecimal (for example, 5E F3FCFFFE5EAAD0).

Logging on to the Web interface

Use this information to log on to the web interface.

To log on to the IMM Web interface, complete the following steps:

- Step 1. Open a Web browser on a computer that connects to the server and in the **Address** or **URL** field, type the IP address or host name of the IMM to which you want to connect.

Note: If you are logging on to the IMM for the first time after installation, the IMM defaults to DHCP. If a DHCP host is not available, the IMM assigns a static IP address of 192.168.70.125. The MAC address tag provides the default hostname of the IMM and does not require you to start the server.

- Step 2. On the Login page, type the user name and password. If you are using the IMM for the first time, you can obtain the user name and password from your system administrator. All login attempts are documented in the event log.

Note: The IMM is set initially with a user name of USERID and password of PASSWORD (passw0rd with a zero, not a the letter O). You have read/write access. You must change the default password the first time you log on.

- Step 3. On the Welcome page, type a timeout value (in minutes) in the field that is provided. The IMM will log you off of the Web interface if your browser is inactive for the number of minutes that you entered for the timeout value.
- Step 4. Click **Continue** to start the session. The System Health page provides a quick view of the system status.

Enabling the Intel Gigabit Ethernet Utility program

Use this information to Enabling the Intel Gigabit Ethernet Utility program.

The Intel Gigabit Ethernet Utility program is part of the server firmware. You can use it to configure the network as a startable device, and you can customize where the network startup option appears in the startup sequence. Enable and disable the Intel Gigabit Ethernet Utility program from the Setup utility.

Configuring the Gigabit Ethernet controller

Use this information to configure the Gigabit Ethernet controller.

The Ethernet controllers are integrated on the system board. They provide an interface for connecting to a 10 Mbps, 100 Mbps, or 1 Gbps network and provide full-duplex (FDX) capability, which enables simultaneous transmission and reception of data on the network. If the Ethernet ports in the server support auto-negotiation, the controllers detect the data-transfer rate (10BASE-T, 100BASE-TX, or 1000BASE-T) and duplex mode (full-duplex or half-duplex) of the network and automatically operate at that rate and mode.

By default the server has enabled Ethernet 1 and Ethernet 2. Ethernet 3 and Ethernet 4 can be enabled by the Features on Demand (FoD). Please note that the server may need to be restarted to activate the feature. Meanwhile, when switching from dedicated mode (Ethernet 2) to shared mode (Ethernet 1), followed by the activation of Ethernet 3 and Ethernet 4 via the Features on Demand (FoD) or vice versa, remember to first unplug and subsequently plug back the power cable or cables to the server (power cycle). For more information on Features on Demand (FoD), including instructions for automating the activation and installation of the activation key by using IBM ToolsCenter or IBM Director, see the IBM System x Features on Demand User's Guide at <https://fod.lenovo.com/lkms> under the Help section.

You do not have to set any jumpers or configure the controllers. However, you must install a device driver to enable the operating system to address the controllers. For device drivers and information about configuring the Ethernet controllers or to find updated information about configuring the controllers, see <http://www.lenovo.com/support>.

Configuring RAID arrays

Use the configuration utility programs to configure and manage redundant array of independent disks (RAID) arrays.

Be sure to use this program as described in this document.

The following table lists the different server configurations and the applications that are available for configuring and managing RAID arrays.

Table 11. Server configuration and applications for configuring and managing RAID arrays

Server configuration	RAID array configuration (before operating system is installed)	RAID array management (after operating system is installed)
ServeRAID-H1110 adapter	LSI Utility (Setup utility, press Ctrl+C), ServerGuide, Human Interface Infrastructure (HII)	MegaRAID Storage Manager (MSM), SAS2IRCU (Command Line) Utility for Storage Management
ServeRAID-M1115 adapter	MegaRAID BIOS Configuration Utility (press Ctrl+H to start), pre-boot CLI (press Ctrl+P to start), ServerGuide, HII	MegaRAID Storage Manager (MSM), MegaCLI (Command Line Interface), and IBM Director
ServeRAID-M5110, ServeRAID-M5120 adapters	MegaRAID BIOS Configuration Utility (press Ctrl+H to start), pre-boot CLI (press Ctrl+P to start), ServerGuide, HII	MegaRAID Storage Manager (MSM), MegaCLI, and IBM Director
ServeRAID-C105	HII	MegaRAID Storage Manager (MSM), MegaCLI, and IBM Director

Notes:

1. For more information about Problem Determination and Service Guide for ServeRAID M controllers, see <http://www-947.ibm.com/support/entry/portal/docdisplay?lnocid=MIGR-5085607>.

2. For more information about Configuration and Options Guide (COG), see <http://www-947.ibm.com/support/entry/portal/docdisplay?Indocid=SCOD-3ZVQ5W&brandind=5000019>.
3. For further details on creating a software RAID array of hard disk drives, please see the ServeRAID C105 documentation at <http://www-947.ibm.com/support/entry/portal/docdisplay?Indocid=MIGR-5089068>.
4. When the ServeRAID adapter is removed, software RAID will not be supported. This system does not support downgrade software RAID function from hardware RAID configuration.

Configuring RAID arrays

Through the Setup utility, you can access utilities to configure RAID arrays. The specific procedure for configuring arrays depends on the RAID controller that you are using. For details, see the documentation for your RAID controller. To access the utility for your RAID controller, complete the following steps:

1. Turn on the server.

Note: Approximately 1 to 3 minutes after the server is connected to ac power, the power-control button becomes active.

2. When prompted, <F1> Setup is displayed, press F1. If you have set an administrator password, you must type the administrator password to access the full Setup utility menu. If you do not type the administrator password, a limited Setup utility menu is available.
3. Select **System Settings** → **Adapters and UEFI drivers**.
4. Press Enter to refresh the list of device drivers.
5. Select the device driver for your RAID controller and press Enter.
6. Follow the instructions in the documentation for your RAID controller.

Starting the LSI Configuration Utility program

Use these instructions to start the LSI Configuration Utility program.

To start the LSI Configuration Utility program, complete the following steps:

1. Turn on the server, and make sure that the server is the owner of the keyboard, video, and mouse.
2. When the prompt message is displayed, you may perform either of the following:
 - a. **ServeRAID-H1110**: press Ctrl+C.
 - b. **ServeRAID-M5110**, **ServeRAID-M5120**, or **ServeRAID-M1115**: press Ctrl+H.

When you have finished changing settings, press Esc to exit from the program; select **Save** to save the settings that you have changed.

Starting the Human Interface Infrastructure (HII) Configuration Application

Use these instructions to start the Human Interface Infrastructure (HII) configuration utility program.

To start the Human Interface Infrastructure (HII) configuration utility program, complete the following steps:

1. Turn on the server.

Note: Approximately 1 to 3 minutes after the server is connected to ac power, the power-control button becomes active after the power-on LED flashes slowly.

2. When prompted, <F1 Setup> is displayed, press F1. If you have set an administrator password, you are prompted to type the password.
3. Under **System Settings**, select **Storage**.

When you have finished changing settings, press Esc to exit from the program; select **Save** to save the settings that you have changed.

Creating RAID of hard disk drives (ServeRAID-C105 only)

Use these instructions to create the RAID of hard disk drives (ServeRAID-C105 only).

Notes:

1. If there is a ServeRAID adapter in slot 3, ServeRAID-C105 will not work.
2. ServeRAID-C105 uses HII only for configuration and there is no legacy configuration utility.

To create RAID of hard disk drives (ServeRAID-C105 only), complete the following steps:

1. Turn on the server.

Note: Approximately 1 to 3 minutes after the server is connected to ac power, the power-control button becomes active after the power-on LED flashes slowly.

2. When prompted, <F1 Set up> is displayed, press F1. If you have set an administrator password, you are prompted to type the password.
3. Under **System Settings**, select **Storage**.
4. Under **Storage**, select **ServeRAID C105**.
5. Under **Configuration Options**, select **Virtual Drive Management** → **Create Configuration**.
6. Select the type of array that you want to create.
7. Select **Select Drives** and use space key to select all the drives for your array.
8. Select **Apply Changes** to create the array.
9. When the prompt Success is displayed, select **OK** to continue.
10. After the system auto skip to the next screen, select **Save Configuration**.
11. When the prompt Creating Virtual Drives will cause the data lost on the associated Drives to be permanently deleted. is displayed, use space key to select **Yes** to continue.
12. Select **OK** to continue.
13. To initialize virtual disk, select **ServeRAID C105** → **Virtual Drive Management** → **Select Virtual Drive Operations**.
14. Under **Virtual Drive Operation**, choose **Select Operation**. Select the type of initialization you want to initialize.
15. Select **Start Operation**.
16. Select **Yes** to confirm.
17. Select **OK** to continue.
18. When the prompt Success is displayed, select **OK**.

Notes:

1. For further details on creating a software RAID array of hard disk drives, please see the ServeRAID C105 documentation at <http://www-947.ibm.com/support/entry/portal/docdisplay?Indocid=MIGR-5089068>.
2. Some specific models may be shipped initially with four hard disk drives. Configuration may be able to expand to eight hard disk drives via Features on Demand (FoD). Please note that the server may need to be restarted to activate the feature. For more information on Features on Demand (FoD), including instructions for automating the activation and installation of the activation key by using IBM ToolsCenter or IBM Systems Director, see the IBM Features on Demand User's Guide at <https://fod.lenovo.com/lkms> under the Help section.
3. Software RAID does not support VMware 5 and VMware 4.1.

4. Software RAID does not support legacy configuration.
5. In order to install the legacy OS in the software RAID, you have to set the **SCU Controller** as the first device in the option ROM execution order.
6. ServeRAID-C105 does not support both hot-swap and solid-state drives.

Advanced Settings Utility program

The Advanced Settings Utility (ASU) program is an alternative to the Setup utility for modifying UEFI settings.

Use the ASU program online or out of band to modify UEFI settings from the command line without the need to restart the system to access the Setup utility.

You can also use the ASU program to configure the optional remote presence features or other IMM settings. The remote presence features provide enhanced systems-management capabilities.

In addition, the ASU program provides limited settings for configuring the IPMI function in the IMM through the command-line interface.

Use the command-line interface to issue setup commands. You can save any of the settings as a file and run the file as a script. The ASU program supports scripting environments through a batch-processing mode.

For more information and to download the ASU program, go to <https://support.lenovo.com/us/en/documents/LNVO-ASU>.

Using Lenovo XClarity Administrator

The initial setup of Lenovo XClarity Administrator includes the following:

- Preparing the network
- Installing and configuring the Lenovo XClarity Administrator virtual appliance
- Managing systems
- Setting up automatic problem notification optionally

To manage systems based on the network topology that is implemented in your environment, there are a number of different ways to connect manageable systems to the network and to set up the Lenovo XClarity Administrator. If you plan to use Lenovo XClarity Administrator to manage the server, you must check for the latest applicable Lenovo XClarity Administrator updates. For installing the Lenovo XClarity Administrator in VMware ESXi-based and Hyper-V environments and downloading Lenovo XClarity Administrator updates, go to:

<https://support.lenovo.com/us/en/documents/LNVO-XCLARIT>

Lenovo XClarity Administrator offers a free, 90-day trial license that enables you to use all available features for a limited time. To continue using Lenovo XClarity Administrator after the 90-day trial period, you are required to purchase a full-function-enablement license for each Lenovo XClarity Administrator instance. You can purchase and download the license from:

<https://support.lenovo.com/us/en/documents/lnvo-lxcaupd>

Updating the Systems Director

Use this information to update the Systems Director.

If you plan to use the Systems Director to manage the server, you must check for the latest applicable Systems Director updates and interim fixes.

Note: Changes are made periodically to the Web site. The actual procedure might vary slightly from what is described in this document.

To locate and install a newer version of Systems Director, complete the following steps:

Step 1. Check for the latest version of Systems Director:

- a. Go to <http://www.ibm.com/systems/management/director/downloads.html>.
- b. If a newer version of Systems Director than what comes with the server is shown in the drop-down list, follow the instructions on the Web page to download the latest version.

Step 2. Install the Systems Director program.

If your management server is connected to the Internet, to locate and install updates and interim fixes, complete the following steps:

1. Make sure that you have run the Discovery and Inventory collection tasks.
2. On the Welcome page of the Systems Director Web interface, click **View updates**.
3. Click **Check for updates**. The available updates are displayed in a table.
4. Select the updates that you want to install, and click **Install** to start the installation wizard.

If your management server is not connected to the Internet, to locate and install updates and interim fixes, complete the following steps:

1. Make sure that you have run the Discovery and Inventory collection tasks.
2. On a system that is connected to the Internet, go to <http://www.ibm.com/support/fixcentral>.
3. From the **Product family** list, select **IBM Systems Director**.
4. From the **Product** list, select **IBM Systems Director**.
5. From the **Installed version** list, select the latest version, and click **Continue**.
6. Download the available updates.
7. Copy the downloaded files to the management server.
8. On the management server, on the Welcome page of the Systems Director Web interface, click the **Manage** tab, and click **Update Manager**.
9. Click **Import updates** and specify the location of the downloaded files that you copied to the management server.
10. Return to the Welcome page of the Web interface, and click **View updates**.
11. Select the updates that you want to install, and click **Install** to start the installation wizard.

Updating the Universal Unique Identifier (UUID)

The Universal Unique Identifier (UUID) must be updated when the system board is replaced. Use the Advanced Settings Utility to update the UUID in the UEFI-based server.

The ASU is an online tool that supports several operating systems. Make sure that you download the version for your operating system. You can download the ASU from the IBM Web site. To download the ASU and update the UUID, complete the following steps.

Note: Changes are made periodically to the IBM Web site. The actual procedure might vary slightly from what is described in this document.

1. Download the Advanced Settings Utility (ASU):
 - a. Go to <http://www.lenovo.com/support>.

- b. Click on the **Downloads** tab at the top of the panel.
 - c. Under **ToolsCenter**, select **View ToolsCenter downloads**.
 - d. Select **Advanced Settings Utility (ASU)**.
 - e. Scroll down and click on the link and download the ASU version for your operating system.
2. ASU sets the UUID in the Integrated Management Module (IMM). Select one of the following methods to access the Integrated Management Module (IMM) to set the UUID:
 - Online from the target system (LAN or keyboard console style (KCS) access)
 - Remote access to the target system (LAN based)
 - Bootable media containing ASU (LAN or KCS, depending upon the bootable media)

Note: IBM provides a method for building a bootable media. You can create a bootable media using the Bootable Media Creator (BoMC) application from the Tools Center Web site. In addition, the Windows and Linux based tool kits are also available to build a bootable media. These tool kits provide an alternate method to create bootable media, which will include the ASU application.

3. Copy and unpack the ASU package, which also includes other required files, to the server. Make sure that you unpack the ASU and the required files to the same directory. In addition to the application executable (asu or asu64), the following files are required:
 - For Windows based operating systems:
 - ibm_rndis_server_os.inf
 - device.cat
 - For Linux based operating systems:
 - cdc_interface.sh

4. After you install ASU, use the following command syntax to set the UUID:

```
asu set SYSTEM_PROD_DATA.SysInfoUUID <uuid_value> [access_method]
```

Where:

<uuid_value>

Up to 16-byte hexadecimal value assigned by you.

[access_method]

The access method that you selected to use from the following methods:

- Online authenticated LAN access, type the command:

```
[host <imm_internal_ip>] [user <imm_user_id>][password <imm_password>]
```

Where:

imm_internal_ip

The IMM internal LAN/USB IP address. The default value is 169.254.95.118.

imm_user_id

The IMM account (1 of 12 accounts). The default value is USERID.

imm_password

The IMM account password (1 of 12 accounts). The default value is PASSWORD (with a zero 0 not an O).

Note: If you do not specify any of these parameters, ASU will use the default values. When the default values are used and ASU is unable to access the IMM using the online authenticated LAN access method, ASU will automatically use the unauthenticated KCS access method.

The following commands are examples of using the userid and password default values and not using the default values:

Example that does not use the userid and password default values:

```
asu set SYSTEM_PROD_DATA.SysInfoUUID <uuid_value> --user <user_id>
--password <password>
```

Example that does use the userid and password default values:

```
asu set SYSTEM_PROD_DATA.SysInfoUUID <uuid_value>
```

- Online KCS access (unauthenticated and user restricted): You do not need to specify a value for *access_method* when you use this access method.

Example:

```
asu set SYSTEM_PROD_DATA.SysInfoUUID <uuid_value>
```

The KCS access method uses the IPMI/KCS interface. This method requires that the IPMI driver be installed. Some operating systems have the IPMI driver installed by default. ASU provides the corresponding mapping layer. See the *Advanced Settings Utility Users Guide* for more details. You can access the ASU Users Guide from the IBM Web site.

Note: Changes are made periodically to the IBM Web site. The actual procedure might vary slightly from what is described in this document.

- Go to <http://www.lenovo.com/support>.
 - Click on the **Downloads** tab at the top of the panel.
 - Under **ToolsCenter**, select **View ToolsCenter downloads**.
 - Select **Advanced Settings Utility (ASU)**.
 - Scroll down and click on the link and download the ASU version for your operating system. Scroll down and look under **Online Help** to download the Advanced Settings Utility Users Guide.
- Remote LAN access, type the command:

Note: When using the remote LAN access method to access IMM using the LAN from a client, the *host* and the *imm_external_ip* address are required parameters.

```
host <imm_external_ip> [user <imm_user_id>][password <imm_password>]
```

Where:

imm_external_ip

The external IMM LAN IP address. There is no default value. This parameter is required.

imm_user_id

The IMM account (1 of 12 accounts). The default value is USERID.

imm_password

The IMM account password (1 of 12 accounts). The default value is PASSWORD (with a zero 0 not an O).

The following commands are examples of using the userid and password default values and not using the default values:

Example that does not use the userid and password default values:

```
asu set SYSTEM_PROD_DATA.SysInfoUUID <uuid_value> --host <imm_ip>
--user <user_id> --password <password>
```

Example that does use the userid and password default values:

```
asu set SYSTEM_PROD_DATA.SysInfoUUID <uuid_value> --host <imm_ip>
```

- Bootable media:

You can also build a bootable media using the applications available through the Tools Center Web site at <https://support.lenovo.com/us/en/documents/LNVO-CENTER>. From the **IBM Tools Center** page, scroll down for the available tools.

5. Restart the server.

Updating the DMI/SMBIOS data

Use this information to update the DMI/SMBIOS data.

The Desktop Management Interface (DMI) must be updated when the system board is replaced. Use the Advanced Settings Utility (ASU) to update the DMI in the UEFI-based server. The ASU is an online tool that supports several operating systems. Make sure that you download the version for your operating system. You can download the ASU from the IBM Web site. To download the ASU and update the DMI, complete the following steps.

Note: Changes are made periodically to the IBM Web site. The actual procedure might vary slightly from what is described in this document.

1. Download the Advanced Settings Utility (ASU):
 - a. Go to <http://www.lenovo.com/support>.
 - b. Click on the Downloads tab at the top of the panel.
 - c. Under **ToolsCenter**, select **View ToolsCenter downloads**.
 - d. Select **Advanced Settings Utility (ASU)**.
 - e. Scroll down and click on the link and download the ASU version for your operating system.
2. ASU sets the DMI in the Integrated Management Module (IMM). Select one of the following methods to access the Integrated Management Module (IMM) to set the DMI:
 - Online from the target system (LAN or keyboard console style (KCS) access)
 - Remote access to the target system (LAN based)
 - Bootable media containing ASU (LAN or KCS, depending upon the bootable media)

Note: IBM provides a method for building a bootable media. You can create a bootable media using the Bootable Media Creator (BoMC) application from the Tools Center Web site. In addition, the Windows and Linux based tool kits are also available to build a bootable media. These tool kits provide an alternate method to create bootable media, which will include the ASU application.

3. Copy and unpack the ASU package, which also includes other required files, to the server. Make sure that you unpack the ASU and the required files to the same directory. In addition to the application executable (asu or asu64), the following files are required:
 - For Windows based operating systems:
 - ibm_rndis_server_os.inf
 - device.cat
 - For Linux based operating systems:
 - cdc_interface.sh

4. After you install ASU, Type the following commands to set the DMI:

```
asu set SYSTEM_PROD_DATA.SysInfoProdName <m/t_model> [access_method]
asu set SYSTEM_PROD_DATA.SysInfoSerialNum <s/n> [access_method]
asu set SYSTEM_PROD_DATA.SysEncloseAssetTag <asset_tag> [access_method]
```

Where:

<m/t_model>

The server machine type and model number. Type *m t m xxxxyyy*, where *xxxx* is the machine type and *yyy* is the server model number.

<s/n>

The serial number on the server. Type *sn zzzzzzz*, where *zzzzzz* is the serial number.

<asset_method>

The server asset tag number. Type *asset aaaaaaaaaaaaaaaaaaaaaaaaaaaaaaa*, where *aaaaaaaaaaaaaaaaaaaaaaaaaaaaaaaaaaaaaa* is the asset tag number.

[access_method]

The access method that you select to use from the following methods:

- Online authenticated LAN access, type the command:

```
[host <imm_internal_ip>] [user <imm_user_id>][password <imm_password>]
```

Where:

imm_internal_ip

The IMM internal LAN/USB IP address. The default value is 169.254.95.118.

imm_user_id

The IMM account (1 of 12 accounts). The default value is USERID.

imm_password

The IMM account password (1 of 12 accounts). The default value is PASSWORD (with a zero 0 not an O).

Note: If you do not specify any of these parameters, ASU will use the default values. When the default values are used and ASU is unable to access the IMM using the online authenticated LAN access method, ASU will automatically use the following unauthenticated KCS access method.

The following commands are examples of using the userid and password default values and not using the default values:

Examples that do not use the userid and password default values:

```
asu set SYSTEM_PROD_DATA.SysInfoProdName <m/t_model>  
--user <imm_user_id> --password <imm_password>  
asu set SYSTEM_PROD_DATA.SysInfoSerialNum <s/n> --user <imm_user_id>  
--password <imm_password>  
asu set SYSTEM_PROD_DATA.SysEncloseAssetTag <asset_tag>  
--user <imm_user_id> --password <imm_password>
```

Examples that do use the userid and password default values:

```
asu set SYSTEM_PROD_DATA.SysInfoProdName <m/t_model>  
asu set SYSTEM_PROD_DATA.SysInfoSerialNum <s/n>  
asu set SYSTEM_PROD_DATA.SysEncloseAssetTag <asset_tag>
```

- Online KCS access (unauthenticated and user restricted):

You do not need to specify a value for *access_method* when you use this access method.

The KCS access method uses the IPMI/KCS interface. This method requires that the IPMI driver be installed. Some operating systems have the IPMI driver installed by default. ASU provides the corresponding mapping layer. You can download the ASU from the IBM Web site. To download the *Advanced Settings Utility Users Guide*, complete the following steps.

Note: Changes are made periodically to the IBM Web site. The actual procedure might vary slightly from what is described in this document.

- a. Go to <http://www.lenovo.com/support>.

- b. Click on the Downloads tab at the top of the panel.
- c. Under **ToolsCenter**, select **View ToolsCenter downloads**.
- d. Select **Advanced Settings Utility (ASU)**.
- e. Scroll down and click on the link and download the ASU version for your operating system. Scroll down and look under **Online Help** to download the Advanced Settings Utility Users Guide.

The following commands are examples of using the userid and password default values and not using the default values:

Examples that do not use the userid and password default values:

```
asu set SYSTEM_PROD_DATA.SYsInfoProdName <m/t_model>
asu set SYSTEM_PROD_DATA.SYsInfoSerialNum <s/n>
asu set SYSTEM_PROD_DATA.SYsEncloseAssetTag <asset_tag>
```

- Remote LAN access, type the command:

Note: When using the remote LAN access method to access IMM using the LAN from a client, the *host* and the *imm_external_ip* address are required parameters.

```
host <imm_external_ip> [user <imm_user_id>][password <imm_password>]
```

Where:

imm_external_ip

The external IMM LAN IP address. There is no default value. This parameter is required.

imm_user_id

The IMM account (1 of 12 accounts). The default value is USERID.

imm_password

The IMM account password (1 of 12 accounts). The default value is PASSWORD (with a zero 0 not an O).

The following commands are examples of using the userid and password default values and not using the default values:

Examples that do not use the userid and password default values:

```
asu set SYSTEM_PROD_DATA.SYsInfoProdName <m/t_model> --host <imm_ip>
--user <imm_user_id> --password <imm_password>
asu set SYSTEM_PROD_DATA.SYsInfoSerialNum <s/n> --host <imm_ip>
--user <imm_user_id> --password <imm_password>
asu set SYSTEM_PROD_DATA.SYsEncloseAssetTag <asset_tag>
--host <imm_ip> --user <imm_user_id> --password <imm_password>
```

Examples that do use the userid and password default values:

```
asu set SYSTEM_PROD_DATA.SysInfoProdName <m/t_model> --host <imm_ip>
asu set SYSTEM_PROD_DATA.SysInfoSerialNum <s/n> --host <imm_ip>
asu set SYSTEM_PROD_DATA.SysEncloseAssetTag <asset_tag>
--host <imm_ip>
```

- Bootable media:

You can also build a bootable media using the applications available through the ToolsCenter Web site at <https://support.lenovo.com/us/en/documents/LNVO-CENTER>. From the IBM **ToolsCenter** page, scroll down for the available tools

5. Restart the server.

Chapter 4. Troubleshooting

This chapter describes the diagnostic tools and troubleshooting information that are available to help you solve problems that might occur in the server.

If you cannot diagnose and correct a problem by using the information in this chapter, see [Appendix D “Getting help and technical assistance” on page 759](#) for more information.

Start here

You can solve many problems without outside assistance by following the troubleshooting procedures in this documentation and on the World Wide Web.

This document describes the diagnostic tests that you can perform, troubleshooting procedures, and explanations of error messages and error codes. The documentation that comes with your operating system and software also contains troubleshooting information.

Diagnosing a problem

Before you call an approved warranty service provider, follow these procedures in the order in which they are presented to diagnose a problem with your server.

Step 1. Return the server to the condition it was in before the problem occurred.

If any hardware, software, or firmware was changed before the problem occurred, if possible, reverse those changes. This might include any of the following items:

- Hardware components
- Device drivers and firmware
- System software
- UEFI firmware
- System input power or network connections

Step 2. View the light path diagnostics LEDs and event logs.

The server is designed for ease of diagnosis of hardware and software problems.

- **Light path diagnostics LEDs:** See [“Light path diagnostics LEDs” on page 117](#) for information about using light path diagnostics LEDs.
- **Event logs:** See [“Event logs” on page 123](#) for information about notification events and diagnosis.
- **Software or operating-system error codes:** See the documentation for the software or operating system for information about a specific error code. See the manufacturer's website for documentation.

Step 3. Run Dynamic System Analysis (DSA) and collect system data.

Run Dynamic System Analysis (DSA) to collect information about the hardware, firmware, software, and operating system. Have this information available when you contact your approved warranty service provider. For instructions for running DSA, see the *Dynamic System Analysis Installation and User's Guide*.

To download the latest version of DSA code and the *Dynamic System Analysis Installation and User's Guide*, go to <https://support.lenovo.com/us/en/documents/LNVO-DSA>.

Step 4. Check for and apply code updates.

Fixes or workarounds for many problems might be available in updated UEFI firmware, device firmware, or device drivers. To display a list of available updates for the server, go to <http://www.ibm.com/support/fixcentral>.

Attention: Installing the wrong firmware or device-driver update might cause the server to malfunction. Before you install a firmware or device-driver update, read any readme and change history files that are provided with the downloaded update. These files contain important information about the update and the procedure for installing the update, including any special procedure for updating from an early firmware or device-driver version to the latest version.

Important: Some cluster solutions require specific code levels or coordinated code updates. If the device is part of a cluster solution, verify that the latest level of code is supported for the cluster solution before you update the code.

a. Install UpdateXpress system updates.

You can install code updates that are packaged as an UpdateXpress System Pack or UpdateXpress CD image. An UpdateXpress System Pack contains an integration-tested bundle of online firmware and device-driver updates for your server. In addition, you can use the ToolsCenter Bootable Media Creator to create bootable media that is suitable for applying firmware updates and running preboot diagnostics. For more information about UpdateXpress System Packs, see <http://www.ibm.com/support/entry/portal/docdisplay?Indocid=SERV-XPRESS> and “Updating the firmware ” on page 81. For more information about the Bootable Media Creator, see <https://support.lenovo.com/us/en/documents/LNVO-BOMC>.

Be sure to separately install any listed critical updates that have release dates that are later than the release date of the UpdateXpress System Pack or UpdateXpress image (see step b).

b. Install manual system updates.

1. Determine the existing code levels.

In DSA, click **Firmware/VPD** to view system firmware levels, or click **Software** to view operating-system levels.

2. Download and install updates of code that is not at the latest level.

To display a list of available updates for the server, go to <http://www.ibm.com/support/fixcentral>.

When you click an update, an information page is displayed, including a list of the problems that the update fixes. Review this list for your specific problem; however, even if your problem is not listed, installing the update might solve the problem.

Step 5. Check for and correct an incorrect configuration.

If the server is incorrectly configured, a system function can fail to work when you enable it; if you make an incorrect change to the server configuration, a system function that has been enabled can stop working.

a. Make sure that all installed hardware and software are supported.

See <http://www.lenovo.com/serverproven/> to verify that the server supports the installed operating system, optional devices, and software levels. If any hardware or software component is not supported, uninstall it to determine whether it is causing the problem. You

must remove nonsupported hardware before you contact an approved warranty service provider for support.

- b. **Make sure that the server, operating system, and software are installed and configured correctly.**

Many configuration problems are caused by loose power or signal cables or incorrectly seated adapters. You might be able to solve the problem by turning off the server, reconnecting cables, reseating adapters, and turning the server back on. For information about performing the checkout procedure, see [“About the checkout procedure” on page 110](#). For information about configuring the server, see [Chapter 3 “Configuration information and instructions” on page 81](#).

Step 6. See controller and management software documentation.

If the problem is associated with a specific function (for example, if a RAID hard disk drive is marked offline in the RAID array), see the documentation for the associated controller and management or controlling software to verify that the controller is correctly configured.

Problem determination information is available for many devices such as RAID and network adapters.

For problems with operating systems, software, or devices, go to <http://www.lenovo.com/support>.

Step 7. Check for troubleshooting procedures and RETAIN tips.

Troubleshooting procedures and RETAIN tips document known problems and suggested solutions. To search for troubleshooting procedures and RETAIN tips, go to <http://www.lenovo.com/support>.

Step 8. Use the troubleshooting tables.

See [“Troubleshooting by symptom” on page 129](#) to find a solution to a problem that has identifiable symptoms.

A single problem might cause multiple symptoms. Follow the troubleshooting procedure for the most obvious symptom. If that procedure does not diagnose the problem, use the procedure for another symptom, if possible.

If the problem remains, contact an approved warranty service provider for assistance with additional problem determination and possible hardware replacement. To open an online service request, go to http://www.ibm.com/support/entry/portal/Open_service_request. Be prepared to provide information about any error codes and collected data.

Undocumented problems

If you have completed the diagnostic procedure and the problem remains, the problem might not have been previously identified. After you have verified that all code is at the latest level, all hardware and software configurations are valid, and no light path diagnostics LEDs or log entries indicate a hardware component failure, contact an approved warranty service provider for assistance.

To open an online service request, go to http://www.ibm.com/support/entry/portal/Open_service_request. Be prepared to provide information about any error codes and collected data and the problem determination procedures that you have used.

Service bulletins

IBM continually updates the support website with the latest tips and techniques that you can use to solve problem that you might have with the System x3530 M4 server.

To find service bulletins that are available for the IBM System x3530 M4 server, go to <http://www.ibm.com/supportportal/> and search for 7160 and retain.

Checkout procedure

The checkout procedure is the sequence of tasks that you should follow to diagnose a problem in the server.

About the checkout procedure

Before you perform the checkout procedure for diagnosing hardware problems, review the following information.

- Read the safety information that begins in [“Safety” on page v](#).
- IBM Dynamic System Analysis (DSA) provides the primary methods of testing the major components of the server, such as the system board, Ethernet controller, keyboard, mouse (pointing device), serial ports, and hard disk drives. You can also use them to test some external devices. If you are not sure whether a problem is caused by the hardware or by the software, you can use the diagnostic programs to confirm that the hardware is working correctly.
- When you run DSA, a single problem might cause more than one error message. When this happens, correct the cause of the first error message. The other error messages usually will not occur the next time you run DSA.

Important: If multiple error codes or light path diagnostics LEDs indicate a microprocessor error, the error might be in the microprocessor or in the microprocessor socket. See [“Microprocessor problems” on page 138](#) for information about diagnosing microprocessor problems.

- Before you run diagnostic programs, you must determine whether the failing server is part of a shared hard disk drive cluster (two or more servers sharing external storage devices). If it is part of a cluster, you can run all diagnostic programs except the ones that test the storage unit (that is, a hard disk drive in the storage unit) or the storage adapter that is attached to the storage unit. The failing server might be part of a cluster if any of the following conditions is true:
 - You have identified the failing server as part of a cluster (two or more servers sharing external storage devices).
 - One or more external storage units are attached to the failing server and at least one of the attached storage units is also attached to another server or unidentifiable device.
 - One or more servers are located near the failing server.

Important: If the server is part of a shared hard disk drive cluster, run one test at a time. Do not run any suite of tests, such as “quick” or “normal” tests, because this might enable the hard disk drive diagnostic tests.

- If the server is halted and a POST error code is displayed, see [Appendix B “UEFI \(POST\) error codes” on page 607](#). If the server is halted and no error message is displayed, see [“Troubleshooting by symptom” on page 129](#) and [“Solving undetermined problems” on page 149](#).
- For information about power-supply problems, see [“Solving power problems” on page 147](#) and [“Power-supply LEDs” on page 122](#).
- For intermittent problems, check the event log; see [“Event logs” on page 123](#) and [Appendix C “DSA diagnostic test results” on page 627](#).

Performing the checkout procedure

Use this information to perform the checkout procedure.

To perform the checkout procedure, complete the following steps:

Step 1. Is the server part of a cluster?

- **No:** Go to Step 2.
- **Yes:** Shut down all failing servers that are related to the cluster. Go to Step 2.

Step 2. Complete the following steps:

- a. Check the power supply LEDs (see [“Power-supply LEDs” on page 122](#)).
- b. Turn off the server and all external devices.
- c. Check all internal and external devices for compatibility at <http://www.lenovo.com/serverproven/>.
- d. Check all cables and power cords.
- e. Set all display controls to the middle positions.
- f. Turn on all external devices.
- g. Turn on the server. If the server does not start, see [“Troubleshooting by symptom” on page 129](#).
- h. Check the system-error LED on the operator information panel. If it is flashing, check the light path diagnostics LEDs (see [“Light path diagnostics” on page 113](#)).

Note: When you slide the light path diagnostics panel out of the server to check the LEDs or checkpoint codes, do not run the server continuously with light path diagnostics panel outside of the server. The panel should only be outside of the server a short time. The light path diagnostics panel must remain in the server when the server is running to ensure proper cooling.

- i. Check for the following results:
 - Successful completion of POST (see [“POST” on page 126](#) for more information)
 - Successful completion of startup, which is indicated by a readable display of the operating-system desktop

Step 3. Is there a readable image on the monitor screen?

- **No:** Find the failure symptom in [“Troubleshooting by symptom” on page 129](#); if necessary, see [“Solving undetermined problems” on page 149](#).
- **Yes:** Run DSA (see [“Running the DSA Preboot diagnostic programs” on page 128](#)).
 - If DSA reports an error, follow the instructions in [Appendix C “DSA diagnostic test results” on page 627](#).
 - If DSA does not report an error but you still suspect a problem, see [“Solving undetermined problems” on page 149](#).

Diagnostic tools

The following tools are available to help you diagnose and solve hardware-related problems.

- **Light path diagnostics**

Use light path diagnostics to diagnose system errors quickly. See [“Light path diagnostics” on page 113](#) for more information.

- **Event logs**

The event logs list the error codes and messages that are generated when an error is detected for the subsystems IMM2, POST, DSA, and the server baseboard management controller. See [“Event logs” on page 123](#) for more information.

- **Integrated Management Module (IMM)**

The Integrated Management Module (IMM) combines service processor functions, video controller, and remote presence and blue-screen capture features in a single chip. The IMM provides advanced service-processor control, monitoring, and alerting function. If an environmental condition exceeds a threshold or if a system component fails, the IMM lights LEDs to help you diagnose the problem, records the error in the IMM event log, and alerts you to the problem. Optionally, the IMM also provides a virtual presence capability for remote server management capabilities. The IMM provides remote server management through the following industry-standard interfaces:

- Intelligent Platform Management Protocol (IPMI) version 2.0
- Simple Network Management Protocol (SNMP) version 3
- Common Information Model (CIM)
- Web browser

For more information about the Integrated Management Module (IMM), see [“Using the integrated management module II” on page 92](#), [Appendix A “Integrated Management Module II \(IMM2\) error messages” on page 287](#), and the *Integrated Management Module User's Guide* at www.ibm.com/support/entry/portal/docdisplay?Indocid=MIGR-5089484&brandind=5000008.

- **IBM Dynamic System Analysis**

Two editions of IBM Dynamic System Analysis (DSA) are available for diagnosing problems, DSA Portable and DSA Preboot:

- DSA Portable

DSA Portable collect and analyze system information to aid in diagnosing server problems. DSA Portable runs on the server's operating system and collect the following information about the server:

- Drive health information
- Event logs for ServeRAID controllers and service processors
- Installed hardware, including PCI and USB information
- Installed applications and hot fixes
- Kernel modules
- Light path diagnostics status
- Microprocessor, input/out hub, and UEFI error logs
- Network interfaces and settings
- RAID controller configuration
- Service processor (integrated management module) status and configuration
- System configuration
- Vital product data, firmware, and UEFI configuration

DSA Portable create a DSA log, which is a chronologically ordered merge of the system-event log (as the IPMI event log), the integrated management module (IMM) chassis-event log (as the ASM event log), and the operating-system event logs. You can send the DSA log as a file to IBM service (when requested by service) or view the information as a text file or HTML file.

Note: Use the latest available version of DSA to make sure you are using the most recent configuration data. For documentation and download information for DSA, see <http://shop.lenovo.com/us/en/systems/solutions/>.

For additional information, see [“Dynamic System Analysis” on page 126](#) and [Appendix C “DSA diagnostic test results” on page 627](#).

- DSA Preboot

DSA Preboot diagnostic program is stored in the integrated USB memory on the server. DSA Preboot collects and analyzes system information to aid in diagnosing server problems, as well as offering a rich set of diagnostic tests of the major components of the server. DSA Preboot collects the following information about the server:

- Drive health information
- Event logs for ServeRAID controllers and service processors
- Installed hardware, including PCI and USB information
- Light path diagnostics status
- Microprocessor, input/out hub, and UEFI error logs
- Network interfaces and settings
- RAID controller configuration
- Service processor (integrated management module) status and configuration
- System configuration
- Vital product data, firmware, and UEFI configuration

DSA Preboot also provides diagnostics for the following system components (when they are installed):

1. Network adapter
2. IMM 12C bus
3. Lightpath diagnostics panel
4. Memory modules
5. Microprocessors
6. Optical devices (CD or DVD)
7. SAS or SATA drives
8. Tape drives (SCSI)

See [“Running the DSA Preboot diagnostic programs” on page 128](#) for more information on running the DSA Preboot program on the server.

- **Troubleshooting by symptom**

These tables list problem symptoms and actions to correct the problems. See [“Troubleshooting by symptom” on page 129](#) for more information.

Light path diagnostics

Light path diagnostics is a system of LEDs on various external and internal components of the server that leads you to the failed component. When an error occurs, LEDs are lit along the path of the front panel, the light path diagnostics panel, then on the failed component. By viewing the LEDs in a particular order, you can often identify the source of the error.

When LEDs are lit to indicate an error, they remain lit when the server is turned off, provided that the server is still connected to power and the power supply is operating correctly and the top cover is closed and latched correctly.

Before you work inside the server to view light path diagnostics LEDs, read the safety information that begins in [“Safety” on page v](#) and [“Handling static-sensitive devices” on page 35](#).

If an error occurs, view the light path diagnostics LEDs in the following order:

1. Look at the operator information panel on the front of the server.

- If the Log LED is lit, it indicates that information about a suboptimal condition in the server is available in the IMM system-event log or in the system-event log.
- If the system-error LED is lit, it indicates that an error has occurred; go to step 2.

The following illustration shows the operator information panel:

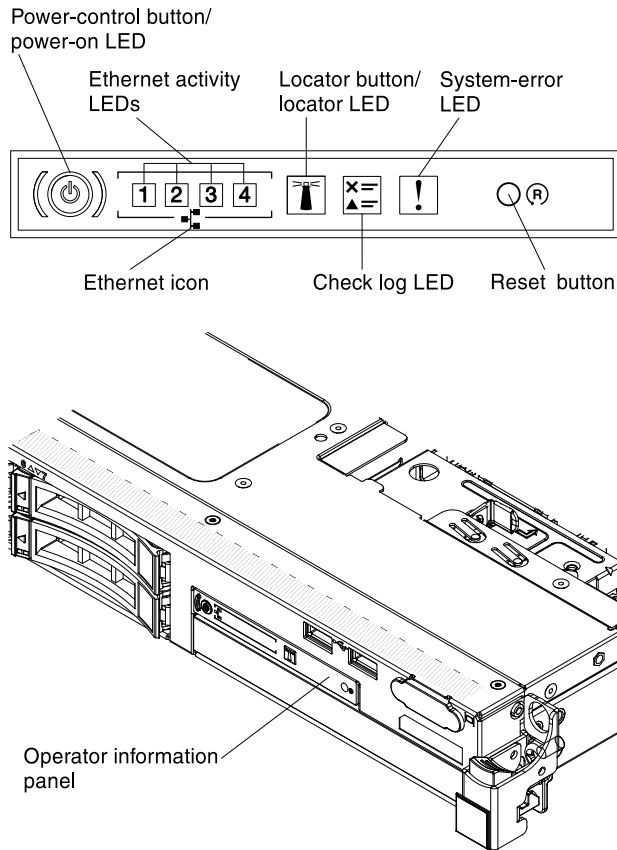


Figure 67. Operator information panel

2. To view the advanced operator information panel, press the blue latch on the right of the operator panel. Lit LEDs on this panel indicate the type of error that has occurred. Look at the system service label inside the server cover, which gives an overview of internal components that correspond to the LEDs on the light path diagnostics panel. This information and the information in [“Light path diagnostics LEDs” on page 117](#) can often provide enough information to diagnose the error.
3. Remove the server cover and look inside the server for lit LEDs. Certain components inside the server have LEDs that are lit to indicate the location of a problem. The following illustration shows the LEDs on the system board.

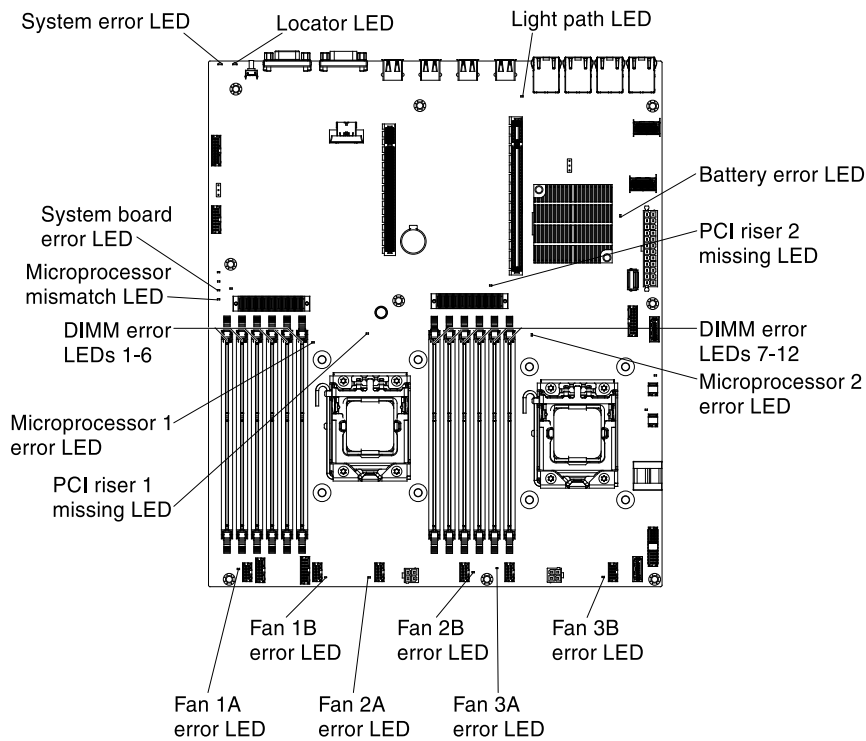


Figure 68. LEDs on the system board

Light path diagnostics panel

The following illustration shows the optional advanced light path diagnostics panel.

The light path diagnostics panel is available on the top of the advanced operator information panel. For additional information about the light path diagnostics and LEDs on the light path diagnostics panel, see [“Light path diagnostics” on page 113](#) and [“Light path diagnostics LEDs” on page 117](#).

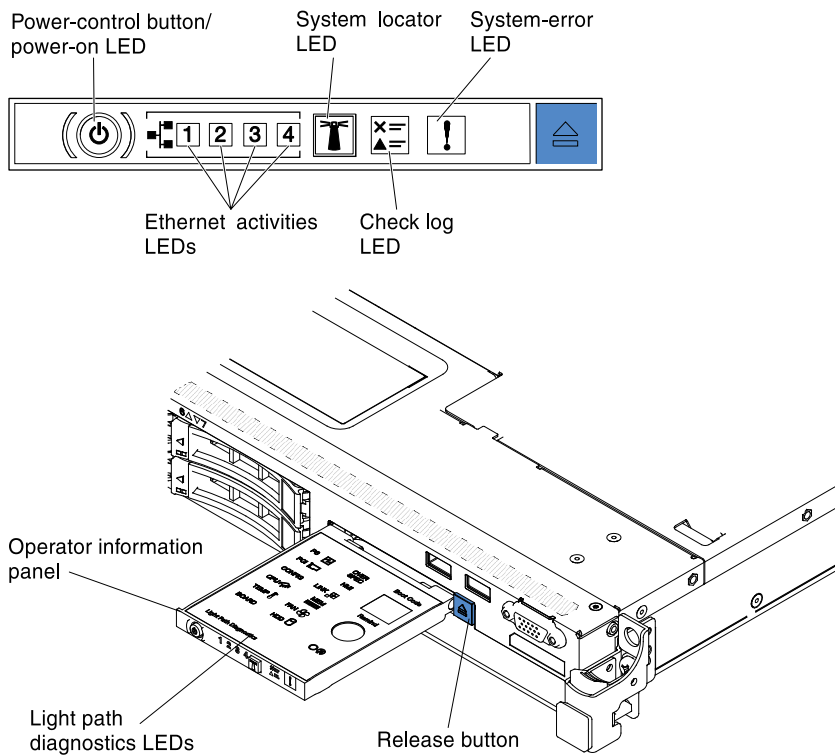


Figure 69. Light path diagnostics panel

To access the optional advanced light path diagnostics panel, push the blue release button on the advanced operator information panel. Pull forward on the unit until the hinge of the operator panel is free of the server chassis. Then pull down on the unit, so that you can view the light path diagnostics panel information.

Note: When you slide the optional advanced light path diagnostics panel out of the server to check the LEDs, do not run the server continuously with light path diagnostics panel outside of the server. The panel should only be outside of the server a short time. The optional advanced light path diagnostics panel must remain in the server when the server is running to ensure proper cooling.

The following illustration shows the LEDs and controls on the light path diagnostics panel.

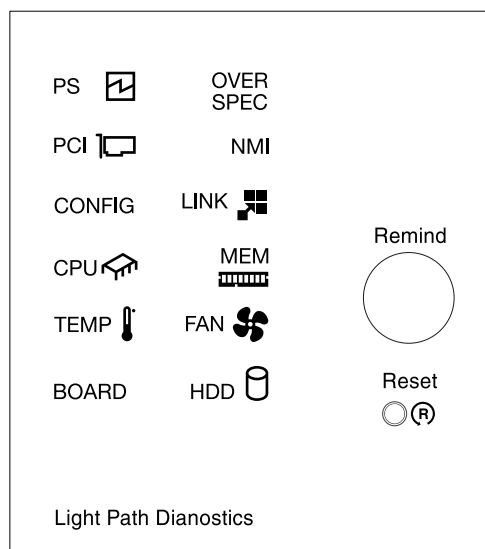


Figure 70. LEDs and controls on the light path diagnostics panel

- **Remind button:** This button places the system-error/Check Log LED on the front panel into Remind mode. In Remind mode, the system-error LED flashes once every 2 seconds until the problem is corrected, the server is restarted, or a new problem occurs. By placing the system-error LED indicator in Remind mode, you acknowledge that you are aware of the last failure but will not take immediate action to correct the problem.
- **Reset button:** Press this button to reset the server and run the power-on self-test (POST). You might have to use a pen or the end of a straightened paper clip to press the button.

Light path diagnostics LEDs

The following table describes the LEDs on the light path diagnostics panel and suggested actions to correct the detected problems.

For additional information, see [“Server controls, LEDs, and power” on page 15](#) and the [“System-board LEDs” on page 30](#) for the location of the system board LEDs.

Note: Check the IMM system-event log or system event log for additional information before replacing a FRU.

Table 12. Light path diagnostics panel LEDs

LED	Description	Action
None, but the Check Log LED is lit.	An error has occurred and cannot be isolated. The error is not represented by a path.	<ol style="list-style-type: none"> 1. Check the IMM2 system even log and the system-error log for information about the error. 2. Save the log if necessary and clear the log afterwards.
System Error LED	An error occurred.	<ol style="list-style-type: none"> 1. Check the light path LEDs and follow the listed instruction. 2. Check the IMM2 system even log and the system-error log for information about the error. 3. Save the log if necessary and clear the log afterwards.
OVER SPEC	The power supplies are using more power than their maximum rating. The system is drawing power incoherent to power supply specified ratings.	<p>If the OVER SPEC LED is lit, use one of the following procedures:</p> <ol style="list-style-type: none"> 1. Turn off the server, disconnect the power from the server. 2. Remove the optical drive, fans, hard disk drives, and hard disk drive backplanes. 3. Restart the server to see whether the problem remains. 4. Reinstall each device that was removed in step 2 one at a time, starting the server each time, to isolate the failing device. 5. Replace any failing device. 6. (Trained technician only) Replace the system board.
LINK	Reserved.	
PS	A power supply is not detected or has failed.	<ol style="list-style-type: none"> 1. Check the power-supply in the server that has an lit yellow LED (see “Power-supply LEDs” on page 122). 2. Make sure that the power supplies are seated correctly. 3. Remove one of the power supplies to isolate the failed power supply. 4. Replace the failed power supply.
PCI	An error has occurred on a PCI card, a PCI bus or on the system board. An additional LED is lit on one of the riser cards.	<ol style="list-style-type: none"> 1. Check the system-event log for information about the error. 2. Check the LEDs on the PCI riser cards to identify the component that caused the error. 3. If you cannot isolate the failing adapter by using the LEDs and the information in the system-event log, remove one adapter at a time from the failing PCI bus; and restart the server after each adapter is removed. 4. Replace the following components, in the order shown, restarting the server each time: <ul style="list-style-type: none"> • PCI riser card • (Trained technician only) Replace the system board.

Table 12. Light path diagnostics panel LEDs (continued)

<ul style="list-style-type: none"> • Follow the suggested actions in the order in which they are listed in the Action column until the problem is solved. • If a action step is preceded by "(Trained technician only)," that step must be performed only by a trained technician. 		
LED	Description	Action
FAN	A fan has failed, is operating too slowly, or has been removed. The TEMP LED might also be lit.	<ol style="list-style-type: none"> 1. Check the LEDs on the server. 2. Reseat the failing fan, which is indicated by a lit LED on the fan. 3. Replace the failing fan.
TEMP	The system temperature has exceeded a threshold level. A failing fan can cause the TEMP LED to be lit.	<ol style="list-style-type: none"> 1. Make sure that the air vents are not blocked. 2. Determine whether a fan has failed. If it has, replace it. 3. Make sure that the heat sink is seated correctly. 4. Make sure that the room temperature is not too high. See "Server features and specifications" on page 6 and "System reliability guidelines" on page 34 for the server temperature information.
MEM	An invalid memory configuration (both the MEM LED and CONFIG LED might be lit) or a memory error has occurred .	<p>Note: Each time you install or remove a DIMM, you must disconnect the server from the power source; then, wait 10 seconds before restarting the server.</p> <ol style="list-style-type: none"> 1. If the MEM LED and the CONFIG LED are lit, the system issues an invalid memory configuration error. Complete the following steps to correct the problem: <ol style="list-style-type: none"> a. Check the system-event log in the Setup utility or IMM error messages. Follow steps indicated in Appendix B "UEFI (POST) error codes" on page 607 and Appendix A "Integrated Management Module II (IMM2) error messages" on page 287. 2. If the CONFIG LED is not lit, the system has detected a memory error. Complete the following steps to correct the problem: <ol style="list-style-type: none"> a. Update the firmware to the latest level (see "Updating the firmware " on page 81). b. Reseat or swap the DIMMs. c. Check the system-event log in the Setup utility or IMM error messages. Follow steps indicated in Appendix B "UEFI (POST) error codes" on page 607 and Appendix A "Integrated Management Module II (IMM2) error messages" on page 287.
NMI	A nonmaskable interrupt has occurred, or the NMI button was pressed.	Check the system-event log for information about the error.

Table 12. Light path diagnostics panel LEDs (continued)

LED	Description	Action
CONFIG	A hardware configuration error has occurred.	<ul style="list-style-type: none"> 1. If the CONFIG LED and the CPU LED are lit, complete the following steps to correct the problem: <ul style="list-style-type: none"> a. Check the microprocessors that were just installed to make sure that they are compatible with each other (see “Replacing a microprocessor and heat sink” on page 273 for additional information about microprocessor requirements). b. (Trained technician only) Replace the incompatible microprocessor. c. Check the system-event logs for information about the error. Replace any components that are identified in the error log. 2. If the CONFIG LED and the MEM LED are both lit, complete the following steps: <ul style="list-style-type: none"> a. Make sure that the DIMM configuration is supported (see “Installing a memory module” on page 37 for DIMM requirements and installation sequence information). b. Replace the DIMMs with a supported configuration.
CPU	An invalid microprocessor configuration or a microprocessor has failed (both the CPU LED and the CONFIG LED might be lit).	<ul style="list-style-type: none"> 1. If the CONFIG LED is lit, the system issues an invalid microprocessor configuration error. Complete the following steps to correct the problem: <ul style="list-style-type: none"> a. Check the microprocessors that were just installed to make sure that they are compatible with each other (see “Replacing a microprocessor and heat sink” on page 273 for additional information about microprocessor requirements) and use the Setup utility and select System Information → System Summary → Processor to verify the microprocessors information. b. (Trained technician only) Replace the incompatible microprocessor. c. Check the system-event logs for information about the error. Replace any components that are identified in the error log. 2. If the CPU LED is lit and the CONFIG LED is not lit, complete the following steps: <ul style="list-style-type: none"> a. (Trained technician only) Make sure that the failing microprocessor, which is indicated by a lit LED on the system board, is installed correctly. See “Replacing a microprocessor and heat sink” on page 273 for information about installation and requirements.

Table 12. Light path diagnostics panel LEDs (continued)

<ul style="list-style-type: none"> • Follow the suggested actions in the order in which they are listed in the Action column until the problem is solved. • If a action step is preceded by "(Trained technician only)," that step must be performed only by a trained technician. 		
LED	Description	Action
	When only the CPU LED is lit, a microprocessor has failed.	<p>If the CONFIG LED is not lit, a microprocessor failure occurs, complete the following steps to correct the problem:</p> <ol style="list-style-type: none"> 1. (Trained technician only) Make sure that the failing microprocessor and its heat sink, which are indicated by a lit LED on the system board, are installed correctly. See "Replacing a microprocessor and heat sink" on page 273 for information about installation and requirements. 2. (Trained technician only) Replace the failing microprocessor (see "Removing a microprocessor and heat sink" on page 270 and "Replacing a microprocessor and heat sink" on page 273). 3. For more information, go to http://www-947.ibm.com/support/entry/portal/docdisplay? Indocid=SERV-CALL.
HDD	A hard disk drive has failed or is missing.	<ol style="list-style-type: none"> 1. Check the LEDs on the hard disk drives for the drive with a lit status LED and reseat the hard disk drive. 2. Make sure that the cables are correctly connected to the hard disk drive backplane. 3. For more information, see "Hard disk drive problems" on page 132. 4. If the error remains, replace the following components in the order listed, restarting the server after each: <ol style="list-style-type: none"> a. Replace the hard disk drive. b. Replace the hard disk drive backplane. 5. If the error remains, replace the following components one at a time, in the order listed, restarting the server after each: <ol style="list-style-type: none"> a. Replace the hard disk drive. b. Replace the hard disk drive backplane. 6. If the problem remains, go to http://www-947.ibm.com/support/entry/portal/docdisplay? Indocid=SERV-CALL.
BOARD	An error has occurred on the system board.	<ol style="list-style-type: none"> 1. Check the LEDs on the server. 2. Check the LEDs on the system board to identify the component that caused the error. The BOARD LED can be lit due to any of the following reasons: <ul style="list-style-type: none"> • Battery • Missing PCI riser-card assembly • Failed firmware update • Failed system board 3. Check the system-event log for information about the error. 4. Replace any failed or missing replacement components, such as the battery or PCI riser-card assembly.

Table 12. Light path diagnostics panel LEDs (continued)

<ul style="list-style-type: none"> • Follow the suggested actions in the order in which they are listed in the Action column until the problem is solved. • If a action step is preceded by "(Trained technician only)," that step must be performed only by a trained technician. 		
LED	Description	Action
		5. (Trained technician only) replace the server system board.

Power-supply LEDs

This section describes the power-supply LEDs on the rear of the server and the suggested actions to correct the detected problems.

The following minimum configuration is required for the DC LED on the power supply to be lit:

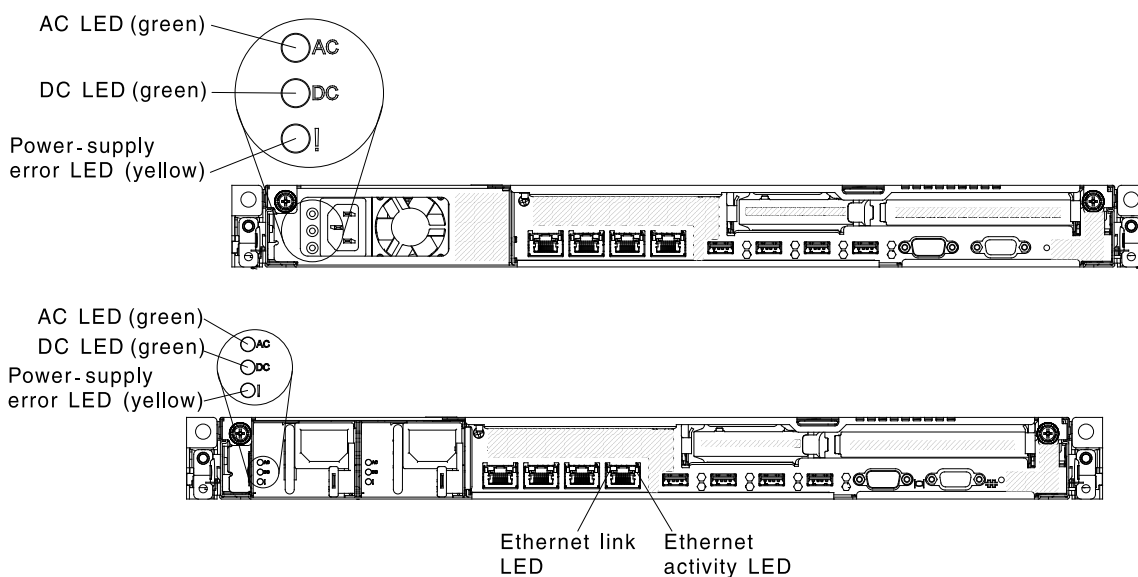
- Power supply
- Power cord

The following minimum configuration is required for the server to start:

- One microprocessor in microprocessor socket 1
- One 2 GB DIMM (per microprocessor) on the system board
- One power supply
- Power cord
- Four cooling fans

The following illustrations show the locations of the power-supply LEDs for fixed and redundant models respectively.

Figure 71. Power-supply LEDs locations



The following table describes the problems that are indicated by various combinations of the power-supply LEDs and the power-on LED on the operator information panel and suggested actions to correct the detected problems.

Power-supply LEDs			Description	Action	Notes
AC	DC	Error			
On	On	Off	Normal operation		
Off	Off	Off	No ac power to the server or a problem with the ac power source.	<ol style="list-style-type: none"> 1. Check the ac power to the server. 2. Make sure that the power cord is connected to a functioning power source. 3. Restart the server. If the error remains, check the power-supply LEDs. 4. Replace the power-supply. 	This is a normal condition when no ac power is present.
Off	Off	On	No ac power to the server or a problem with the ac power source and the power-supply had detected an internal problem.	<ul style="list-style-type: none"> • Make sure that the power cord is connected to a functioning power source. • Replace the power supply. 	This happens only when a second power supply is providing power to the server.
Off	On	Off	Faulty power-supply	Replace the power supply.	
Off	On	On	Faulty power-supply	Replace the power supply.	
On	Off	Off	Power-supply not fully seated, faulty system board, or faulty power-supply	<ol style="list-style-type: none"> 1. Make sure that the top cover is closed and latched correctly. 2. Reseat the power supply. 3. Replace the failing power supply. 	Typically indicates a power-supply is not fully seated.
On	Off	On	Faulty power-supply	Replace the power supply.	
On	On	On	Power-supply is faulty	Replace the power supply.	

Event logs

Error codes and messages are displayed in POST event log, system-event log, integrated management module (IMM2) event log, and DSA event log.

- **POST event log:** This log contains the three most recent error codes and messages that were generated during POST. You can view the contents of the POST event log from the Setup utility (see [“Starting the Setup utility” on page 85](#)). For more information about POST error codes, see [Appendix B “UEFI \(POST\) error codes” on page 607](#).
- **System-event log:** This log contains POST and system management interrupt (SMI) events and all events that are generated by the baseboard management controller that is embedded in the integrated management module (IMM). You can view the contents of the system-event log through the Setup utility and through the Dynamic System Analysis (DSA) program (as IPMI event log). The system-event log is limited in size. When it is full, new entries will not overwrite existing entries; therefore, you must

periodically clear the system-event log through the Setup utility. When you are troubleshooting an error, you might have to save and then clear the system-event log to make the most recent events available for analysis. For more information about the system-event log, see [Appendix A “Integrated Management Module II \(IMM2\) error messages” on page 287](#).

Messages are listed on the left side of the screen, and details about the selected message are displayed on the right side of the screen. To move from one entry to the next, use the Up Arrow (↑) and Down Arrow (↓) keys.

Some IMM sensors cause assertion events to be logged when their setpoints are reached. When a setpoint condition no longer exists, a corresponding deassertion event is logged. However, not all events are assertion-type events.

- **Integrated management module (IMM2) event log:** This log contains a filtered subset of all IMM, POST, and system management interrupt (SMI) events. You can view the IMM event log through the IMM Web interface. For more information, see [“Logging on to the Web interface” on page 96](#). You can also view the IMM event log through the Dynamic System Analysis (DSA) program (as the ASM event log). For more information about IMM error messages, see [Appendix A “Integrated Management Module II \(IMM2\) error messages” on page 287](#).
- **DSA event log:** This log is generated by the Dynamic System Analysis (DSA) program, and it is a chronologically ordered merge of the system-event log (as the IPMI event log), the IMM chassis-event log (as the ASM event log), and the operating-system event logs. You can view the DSA event log through the DSA program (see [“Viewing event logs without restarting the server” on page 124](#)). For more information about DSA and DSA messages, see [Appendix C “DSA diagnostic test results” on page 627](#) and [“Dynamic System Analysis” on page 126](#).

For more information about viewing the logs or clearing the logs, see [“Viewing event logs through the Setup utility” on page 124](#), [“Viewing event logs without restarting the server” on page 124](#), and [“Clearing the error logs” on page 126](#).

Viewing event logs through the Setup utility

Use this information to view the event logs through the Setup utility.

To view the POST event log or system-event log, complete the following steps:

- Step 1. Turn on the server.
- Step 2. When the prompt <F1> Set up is displayed, press F1. If you have set both a power-on password and an administrator password, you must type the administrator password to view the event logs.
- Step 3. Select **System Event Logs** and use one of the following procedures:
 - To view the POST event log, select **POST Event Viewer**.
 - To view the system-event log, select **System Event Log**.

Viewing event logs without restarting the server

Use this information to view the event logs without restarting the server.

If the server is not hung and the IMM is connected to a network, methods are available for you to view one or more event logs without having to restart the server.

If you have installed Dynamic System Analysis (DSA) Portable, you can use it to view the system-event log (as the IPMI event log), or the IMM event log (as the ASM event log), the operating-system event logs, or the merged DSA log. You can also use DSA Preboot to view these logs, although you must restart the server to use DSA Preboot. The server comes with DSA Preboot stored in integrated USB memory. To install DSA Portable or check for and download a later version of DSA Preboot CD image, go to <https://support.lenovo.com/us/en/documents/LNVO-DSA>.

If IPMItool is installed in the server, you can use it to view the system-event log. Most recent versions of the Linux operating system come with a current version of IPMItool. For an overview of IPMI, go to <http://www.ibm.com/developerworks/linux/blueprints/> and click **Using Intelligent Platform Management Interface (IPMI) on IBM Linux platforms**.

You can view the IMM event log through the **Event Log** link in the integrated management module (IMM) Web interface. For more information, see [“Logging on to the Web interface” on page 96](#).

The following table describes the methods that you can use to view the event logs, depending on the condition of the server. The first three conditions generally do not require that you restart the server.

Table 13. Methods for viewing event logs

Condition	Action
The server is not hung and is connected to a network (using an operating system controlled network ports).	Use any of the following methods: <ul style="list-style-type: none"> • Run DSA Portable to view the diagnostic event log (requires IPMI driver) or create an output file that you can send to IBM service and support (using ftp or local copy). • Use IPMItool to view the system-event log (requires IPMI driver). • Use the Web browser interface to the IMM to view the system-event log locally (requires RNDIS USB LAN driver).
The server is not hung and is not connected to a network (using an operating system controlled network ports).	Use any of the following methods: <ul style="list-style-type: none"> • Run Portable DSA to view the diagnostic event log (requires IPMI driver) or create an output file that you can send to IBM service and support (using a local copy). • Use IPMItool to view the system-event log (requires IPMI driver). • Use the Web browser interface to the IMM to view the system-event log locally (requires RNDIS USB LAN driver). For more information, see “Obtaining the IP address for the IMM” on page 95 and “Logging on to the Web interface” on page 96.
The integrated management module (IMM) is connected to a network and AC power is applied - the server state might be hung, not hung, or powered off.	Use any of the following methods: <ul style="list-style-type: none"> • Use IPMItool over the network to the IMM external IP address to view the system-event log. • Use the Web browser interface to the IMM to view the system-event log. In the Web browser, type the IP address for the IMM and go to the Event Log page. For more information, see “Obtaining the IP address for the IMM” on page 95 and “Logging on to the Web interface” on page 96.
The server is hung and no communication can be made with the IMM.	Restart the server and press F2 to start DSA Preboot and view the diagnostic event log (see “Running the DSA Preboot diagnostic programs” on page 128 for more information). Alternatively, you can restart the server and press F1 to start the Setup utility and view the POST event log or system-event log. For more information, see “Viewing event logs through the Setup utility” on page 124 .

Clearing the error logs

Use this information to clear the event logs.

To clear the event logs, complete the following steps.

Note: The POST event log is automatically cleared each time the server is restarted.

Step 1. Turn on the server.

Step 2. When the prompt <F1> Set up is displayed, press F1. If you have set both a power-on password and an administrator password, you must type the administrator password to view the event logs.

Step 3. Use one of the following procedures:

- To clear the IMM system-event log, select **System Event Logs → System Event Log**. Select **Clear System Event Log**; then, press Enter twice.

POST

When you turn on the server, it performs a series of tests to check the operation of the server components and some optional devices in the server. This series of tests is called the power-on self-test, or POST.

Note: This server does not use beep codes for server status.

If a power-on password is set, you must type the password and press Enter (when you are prompted), for POST to run.

If POST detects a problem an error message is displayed. See [Appendix B “UEFI \(POST\) error codes” on page 607](#) for more information.

If POST detects a problem, an error message is sent to the POST event log, see [“Event logs” on page 123](#) for more information.

Dynamic System Analysis

Dynamic System Analysis (DSA) collects and analyzes system information to aid in diagnosing server problems.

DSA collects the following information about the server:

- Drive health information
- Event logs for ServeRAID controllers and service processors
- Hardware inventory, including PCI and USB information
- Installed applications and hot fixes (available in DSA Portable only)
- Kernel modules (available in DSA Portable only)
- Light path diagnostics status
- Network interfaces and settings
- Performance data and details about processes that are running
- RAID and controller configuration
- Service processor (integrated management module) status and configuration
- System configuration
- Vital product data and firmware information

For system-specific information about the action that you should take as a result of a message that DSA generates, see “[Diagnostic text messages](#)” on page 128.

If you cannot find a problem by using DSA, see “[Solving undetermined problems](#)” on page 149 for information about testing the server.

Notes:

1. In a multi-node environment, each server has a unique DSA interface. You can view server-specific information, such as event logs, from these unique DSA interfaces.
2. DSA Preboot might appear to be unresponsive when you start the program. This is normal operation while the program loads.

Make sure that the server has the latest version of the DSA code. To obtain DSA code and the *Dynamic System Analysis Installation and User's Guide*, go to <https://support.lenovo.com/us/en/documents/LNVO-DSA>.

DSA editions

Two editions of Dynamic System Analysis are available.

- **DSA Portable**

DSA Portable Edition runs within the operating system; you do not have to restart the server to run it. It is packaged as a self-extracting file that you download from the Web. When you run the file, it self-extracts to a temporary folder and performs comprehensive collection of hardware and operating-system information. After it runs, it automatically deletes the temporary files and folder and leaves the results of the data collection and diagnostics on the server.

If you are able to start the server, use DSA Portable.

- **DSA Preboot**

DSA Preboot runs outside of the operating system; you must restart the server to run it. It is provided in the flash memory on the server, or you can create a bootable media such as a CD, DVD, ISO, USB, or PXE using the IBM ToolsCenter Bootable Media Creator (BoMC). For more details, see the *BoMC User Guide* at <https://support.lenovo.com/us/en/documents/LNVO-BOMC>. In addition to the capabilities of the other editions of DSA, DSA Preboot includes diagnostic routines that would be disruptive to run within the operating-system environment (such as resetting devices and causing loss of network connectivity). It has a graphical user interface that you can use to specify which diagnostics to run and to view the diagnostic and data collection results.

DSA Preboot provides diagnostics for the following system components, if they are installed:

- Broadcom network adapter
- Optical devices (CD or DVD)
- Tape drives (SCSI, SAS, or SATA)
- Memory
- Microprocessor
- Checkpoint panel
- I2C bus
- SAS and SATA drives

If you are unable to restart the server or if you need comprehensive diagnostics, use DSA Preboot.

The IBM System x3530 M4 server comes with DSA Preboot diagnostics code on the integrated USB flash memory. Utilities are available to reset and update the diagnostics code on the integrated USB flash device, if the diagnostic partition becomes damaged and does not start the DSA Preboot diagnostic

programs. For more information and to download the utilities, go to <https://support.lenovo.com/us/en/documents/LNVO-DSA>.

Running the DSA Preboot diagnostic programs

Use this information to run the DSA Preboot diagnostic programs.

Note: The DSA memory test might take up to 30 minutes to run. If the problem is not a memory problem, skip the memory test.

To run the DSA Preboot diagnostic programs that is stored in integrated flash memory on the server, complete the following steps:

Step 1. If the server is running, turn off the server and all attached devices.

Step 2. Turn on all attached devices; then, turn on the server.

Step 3. When the prompt <F2> Diagnostics is displayed, press F2.

Note: The DSA Preboot diagnostic program might appear to be unresponsive for an unusual length of time when you start the program. This is normal operation while the program loads.

Step 4. Optionally, select **Quit to DSA** to exit from the stand-alone memory diagnostic program.

Note: After you exit from the stand-alone memory diagnostic environment, you must restart the server to access the stand-alone memory diagnostic environment again.

Step 5. Select **gui** to display the graphical user interface, or select **cmd** to display the DSA interactive menu.

Step 6. Follow the instructions on the screen to select the diagnostic test to run.

If the server stops during testing and you cannot continue, restart the server and try running the DSA Preboot diagnostic programs again. If the problem remains, replace the component that was being tested when the server stopped.

Diagnostic text messages

Diagnostic text messages are displayed while the tests are running.

A diagnostic text message contains one of the following results:

Passed: The test was completed without any errors.

Failed: The test detected an error.

Aborted: The test could not proceed because of the server configuration

Additional information concerning test failures is available in the extended diagnostic results for each test.

Viewing the test log results

Use this information to view the test log results and transferring the DSA collection.

To view the test log for the results when the tests are completed, click the **Success** link in the Status column, if you are running the DSA graphical user interface, or type **:x** to exit the Execute Tests menu, if you are running the DSA interactive menu, or select **Diagnostic Event Log** in the graphical user interface. To transfer DSA Preboot collections to an external USB device, type the **copy** command in the DSA interactive menu.

- If you are running the DSA graphical user interface (GUI), click the **Success** link in the Status column.

- If you are running the DSA interactive menu (CLI), type **:x** to exit the Execute Tests menu; then, select the **completed tests** to view the results.

Call home (automated service request)

IBM provides tools that can automatically collect and send data or call IBM Support when an error is detected.

These tools can help IBM service speed up the process of diagnosing problems. The following sections provide information about the call home tools.

Service advisor

The server comes with the Service Advisor feature that can collect data about the system when the system detects a fault and sends that data to IBM Service for problem determination. It also includes the call home feature that automatically calls IBM Service when a problem occurs. The Service Advisor feature is integrated into the Integrated Management Module (IMM). You will need to setup and configure the Service Advisor feature before you can use it. For more information about how to setup and configure the Service Advisor feature, see the *Integrated Management Module User's Guide* at www.ibm.com/support/entry/portal/docdisplay?Indocid=MIGR-5089484&brandind=5000008.

Electronic Service Agent

Electronic Service Agent monitors, tracks, and captures system hardware errors and hardware and software inventory information, and reports serviceable problems directly to Lenovo Support. You can also choose to collect data manually. It uses minimal system resources, and can be downloaded from the website.

For more information and to download Electronic Service Agent, go to <http://www-01.ibm.com/support/esa/>.

Error messages

This section provides the list of error codes and messages for UEFI/POST, IMM2, and DSA that are generated when a problem is detected.

See [Appendix B “UEFI \(POST\) error codes” on page 607](#), [Appendix A “Integrated Management Module II \(IMM2\) error messages” on page 287](#), and [Appendix C “DSA diagnostic test results” on page 627](#) for more information.

Troubleshooting by symptom

Use the troubleshooting tables to find solutions to problems that have identifiable symptoms.

Use the troubleshooting tables to find solutions to problems that have identifiable symptoms.

If you cannot find a solution to the problem in these tables, see [Appendix C “DSA diagnostic test results” on page 627](#) for information about testing the server and [“Running the DSA Preboot diagnostic programs” on page 128](#) for additional information about running DSA Preboot program that is stored in integrated USB memory on the server. For additional information to help you solve problems, see [“Start here” on page 107](#).

If you have just added new software or a new optional device and the server is not working, complete the following steps before you use the troubleshooting tables:

1. Check the system-error LED on the operator information panel; if it is lit, check the light path diagnostics LEDs (see [“Light path diagnostics” on page 113](#)).
2. Remove the software or device that you just added.

3. Run IBM Dynamic System Analysis (DSA) to determine whether the server is running correctly (for information about using DSA, see [Appendix C “DSA diagnostic test results” on page 627](#)).
4. Reinstall the new software or new device.

CD/DVD drive problems

<ul style="list-style-type: none"> • Follow the suggested actions in the order in which they are listed in the Action column until the problem is solved. • See Chapter 5 “Parts listing, IBM System x3530 M4 Type 7160” on page 155 to check if a component is a consumable, structural, or FRU part. • If an action step is preceded by “(Trained technician only),” that step must be performed only by a trained technician. 	
Symptom	Action
The CD-ROM/DVD-ROM drive is not recognized.	<ol style="list-style-type: none"> 1. Make sure that: <ul style="list-style-type: none"> • The SATA connector to which the CD or DVD drive is attached (primary or secondary) is enabled in the Setup utility. • All cables and jumpers are installed correctly. • The correct device driver is installed for the CD or DVD drive. 2. Run the CD or DVD drive diagnostic programs. 3. Reseat the following components: <ol style="list-style-type: none"> a. CD or DVD drive b. CD or DVD drive cable 4. Replace the components listed in step 3 one at a time, in the order shown, restarting the server each time. 5. (Trained service technician only) Replace the system board.
A CD or DVD is not working correctly.	<ol style="list-style-type: none"> 1. Clean the CD or DVD. 2. Replace the CD or DVD with new CD or DVD media. 3. Run the CD or DVD drive diagnostic programs (see Appendix C “DSA diagnostic test results” on page 627). 4. Reseat the CD or DVD drive (see “Removing a CD/DVD drive” on page 214 and “Installing an optional CD/DVD drive” on page 215). 5. Replace the CD or DVD drive.
The CD or DVD drive tray is not working.	<ol style="list-style-type: none"> 1. Make sure that the server is turned on. 2. Insert the end of a straightened paper clip into the manual tray-release opening. 3. Reseat the CD or DVD drive (see “Removing a CD/DVD drive” on page 214 and “Installing an optional CD/DVD drive” on page 215). 4. Replace the CD or DVD drive.

Hypervisor problems

<ul style="list-style-type: none"> • Follow the suggested actions in the order in which they are listed in the Action column until the problem is solved. • See Chapter 5 “Parts listing, IBM System x3530 M4 Type 7160” on page 155 to check if a component is a consumable, structural, or FRU part. • If an action step is preceded by “(Trained technician only),” that step must be performed only by a trained technician. 	
Symptom	Action
If an optional embedded hypervisor flash device is not listed in the expected boot order, does not appear in the list of boot devices, or a similar problem has occurred.	<ol style="list-style-type: none"> 1. Make sure that the optional embedded hypervisor flash device is selected on the boot manager (<F12> Select Boot Device) at startup. 2. Make sure that the embedded hypervisor flash device is seated in the connector correctly (see “Removing a USB embedded hypervisor flash device” on page 228 and “Replacing a USB embedded hypervisor flash device” on page 230). 3. See the documentation that comes with the optional embedded hypervisor flash device for setup and configuration information. 4. Make sure that other software works on the server.

General problems

<ul style="list-style-type: none"> • Follow the suggested actions in the order in which they are listed in the Action column until the problem is solved. • See Chapter 5 “Parts listing, IBM System x3530 M4 Type 7160” on page 155 to check whether a component is a consumable, structural, or FRU part. • If an action step is preceded by “(Trained technician only),” that step must be performed only by a trained technician. 	
Symptom	Action
A cover latch is broken, an LED is not working, or a similar problem has occurred.	If the part is a CRU, replace it. If the part is a FRU, the part must be replaced by a trained service technician (see Chapter 6 “Removing and replacing structural parts” on page 169 to determine whether the part is a consumable, structural, or FRU component).
The server cover was removed while running and the server shut off.	Replace the server cover and restart the server.
The server is hung while the screen is on. Cannot start the Setup utility by pressing F1.	<ol style="list-style-type: none"> 1. See “Nx boot failure” on page 152 for more information. 2. See “Recovering the server firmware (UEFI update failure)” on page 150 for more information.

Hard disk drive problems

- Follow the suggested actions in the order in which they are listed in the Action column until the problem is solved.
- See [Chapter 5 “Parts listing, IBM System x3530 M4 Type 7160” on page 155](#) to check if a component is a consumable, structural, or FRU part.
- If an action step is preceded by “(Trained technician only),” that step must be performed only by a trained technician.

Symptom	Action
Not all drives are recognized by the DSA hard disk drive diagnostic test.	Remove the drive that is indicated by DSA (see “Removing hot-swap drives” on page 204 or “Removing a simple-swap SATA drive” on page 212); then, run the hard disk drive diagnostic test again (see Appendix C “DSA diagnostic test results” on page 627). If the remaining drives are recognized, replace the drive that you removed with a new one.
The server stops responding during the hard disk drive diagnostic test.	Remove the drive that is indicated by DSA (see “Removing hot-swap drives” on page 204 or “Removing a simple-swap SATA drive” on page 212); then, run the hard disk drive diagnostic test again (see Appendix C “DSA diagnostic test results” on page 627). If the remaining drives are recognized, replace the drive that you removed with a new one.
A hard disk drive has failed, and the associated yellow hard disk drive status LED is lit.	Replace the failed hard disk drive.

- Follow the suggested actions in the order in which they are listed in the Action column until the problem is solved.
- See [Chapter 5 “Parts listing, IBM System x3530 M4 Type 7160” on page 155](#) to check if a component is a consumable, structural, or FRU part.
- If an action step is preceded by “(Trained technician only),” that step must be performed only by a trained technician.

Symptom	Action
A newly installed hard disk drive is not recognized.	<ol style="list-style-type: none"> 1. Observe the associated yellow hard disk drive status LED. If the LED is lit, it indicates a drive fault. 2. If the LED is lit, remove the drive from the bay, wait 45 seconds, and reinsert the drive, making sure that the drive assembly connects to the hard disk drive backplane. 3. Observe the associated green hard disk drive activity LED and the yellow status LED: <ul style="list-style-type: none"> • If the green activity LED is flashing and the yellow status LED is not lit, the drive is recognized by the controller and is working correctly. Run the DSA hard disk drive test to determine whether the drive is detected. • If the green activity LED is flashing and the yellow status LED is flashing slowly, the drive is recognized by the controller and is rebuilding. • If neither LED is lit or flashing, check the hard disk drive backplane (go to step “Hard disk drive problems” on page 132). • If the green activity LED is flashing and the yellow status LED is lit, replace the drive. If the activity of the LEDs remains the same, go to step “Hard disk drive problems” on page 132. If the activity of the LEDs changes, return to step 1. 4. Make sure that the hard disk drive backplane is correctly seated. When it is correctly seated, the drive assemblies correctly connect to the backplane without bowing or causing movement of the backplane. 5. Reseat the backplane power cable and repeat steps 1 through 3. 6. Reseat the backplane signal cable and repeat steps 1 through 3. 7. Suspect the backplane signal cable or the backplane: <ol style="list-style-type: none"> a. Replace the affected backplane signal cable. b. Replace the affected backplane. 8. Run the DSA tests for the SAS/SATA adapter and hard disk drives (see “Running the DSA Preboot diagnostic programs” on page 128). <ul style="list-style-type: none"> • If the adapter passes the test but the drives are not recognized, replace the backplane signal cable and run the tests again. • Replace the backplane. • If the adapter fails the test, disconnect the backplane signal cable from the adapter and run the tests again. • If the adapter fails the test, replace the adapter. 9. See “Problem determination tips” on page 149.
Multiple hard disk drives fail.	<p>Make sure that the hard disk drive, SAS/SATA RAID adapter, and server device drivers and firmware are at the latest level.</p> <p>Important: Some cluster solutions require specific code levels or coordinated code updates. If the device is part of a cluster solution, verify that the latest level of code is supported for the cluster solution before you update the code.</p>

- Follow the suggested actions in the order in which they are listed in the Action column until the problem is solved.
- See [Chapter 5 “Parts listing, IBM System x3530 M4 Type 7160” on page 155](#) to check if a component is a consumable, structural, or FRU part.
- If an action step is preceded by “(Trained technician only),” that step must be performed only by a trained technician.

Symptom	Action
Multiple hard disk drives are offline.	<ol style="list-style-type: none"> 1. Review the storage subsystem logs for indications of problems within the storage subsystem, such as backplane or cable problems. 2. See “Problem determination tips” on page 149.
A replacement hard disk drive does not rebuild.	<ol style="list-style-type: none"> 1. Make sure that the hard disk drive is recognized by the adapter (the green hard disk drive activity LED is flashing). 2. Review the SAS/SATA RAID adapter documentation to determine the correct configuration parameters and settings.
A green hard disk drive activity LED does not accurately represent the actual state of the associated drive.	<ol style="list-style-type: none"> 1. If the green hard disk drive activity LED does not flash when the drive is in use, run the DSA disk drive test (see “Running the DSA Preboot diagnostic programs” on page 128). 2. Use one of the following procedures: <ul style="list-style-type: none"> • If the drive passes the test, replace the backplane. • If the drive fails the test, replace the drive.
A yellow hard disk drive status LED does not accurately represent the actual state of the associated drive.	<ol style="list-style-type: none"> 1. If the yellow hard disk drive LED and the RAID adapter software do not indicate the same status for the drive, complete the following steps: <ol style="list-style-type: none"> a. Turn off the server. b. Reseat the SAS/SATA adapter. c. Reseat the backplane signal cable and backplane power cable. d. Reseat the hard disk drive. e. Turn on the server and observe the activity of the hard disk drive LEDs. 2. See “Problem determination tips” on page 149.

Intermittent problems

<ul style="list-style-type: none"> • Follow the suggested actions in the order in which they are listed in the Action column until the problem is solved. • If an action step is preceded by “(Trained technician only),” that step must be performed only by a trained technician. 	
Symptom	Action
A problem occurs only occasionally and is difficult to diagnose.	<ol style="list-style-type: none"> 1. Make sure that: <ul style="list-style-type: none"> • All cables and cords are connected securely to the rear of the server and attached devices. • When the server is turned on, air is flowing from the fan grille. If there is no airflow, the fan is not working. This can cause the server to overheat and shut down. 2. Check the event logs (see “Event logs” on page 123). 3. See “Solving undetermined problems” on page 149.
The server resets (restarts) occasionally.	<ol style="list-style-type: none"> 1. If the reset occurs during POST and the POST watchdog timer is enabled (click System Settings --> Integrated Management Module --> POST Watchdog Timer in the Setup utility to see the POST watchdog setting), make sure that sufficient time is allowed in the watchdog timeout value (POST Watchdog Timer). If the server continues to reset during POST, see Appendix B “UEFI (POST) error codes” on page 607 and Appendix C “DSA diagnostic test results” on page 627. 2. If the reset occurs after the operating system starts, disable any automatic server restart (ASR) utilities, such as the IBM Automatic Server Restart IPMI Application for Windows, or any ASR devices that are be installed. Note: ASR utilities operate as operating-system utilities and are related to the IPMI device driver. If the reset continues to occur after the operating system starts, the operating system might have a problem; see “Software problems” on page 147. 3. If neither condition applies, check the event logs (see “Event logs” on page 123).

Keyboard, mouse, or pointing-device problems

- Follow the suggested actions in the order in which they are listed in the Action column until the problem is solved.
- See [Chapter 5 “Parts listing, IBM System x3530 M4 Type 7160” on page 155](#) to check if a component is a consumable, structural, or FRU part.
- If an action step is preceded by “(Trained technician only),” that step must be performed only by a trained technician.

Symptom	Action
All or some keys on the keyboard do not work.	<ol style="list-style-type: none"> 1. Make sure that: <ul style="list-style-type: none"> • The keyboard cable is securely connected. • The server and the monitor are turned on. 2. If you are using a USB keyboard, run the Setup utility and enable keyboardless operation. 3. See http://www.lenovo.com/serverproven/ for information about keyboard compatibility. 4. If you are using a USB keyboard and it is connected to a USB hub, disconnect the keyboard from the hub and connect it directly to the server. 5. Replace the following components one at a time, in the order shown, restarting the server each time: <ol style="list-style-type: none"> a. Keyboard b. (Trained service technician only) System board
The mouse or pointing device does not work.	<ol style="list-style-type: none"> 1. See http://www.lenovo.com/serverproven/ for information about mouse compatibility. 2. Make sure that: <ul style="list-style-type: none"> • The mouse or pointing-device cable is securely connected to the server. • If you are using a pointing device, the keyboard and mouse or pointing-device cables are not reversed. • The mouse or pointing-device device drivers are installed correctly. • The server and the monitor are turned on. • The mouse option is enabled in the Setup utility. 3. If you are using a USB mouse or pointing device and it is connected to a USB hub, disconnect the mouse or pointing device from the hub and connect it directly to the server. 4. Replace the following components one at a time, in the order shown, restarting the server each time: <ol style="list-style-type: none"> a. Mouse or pointing device b. (Trained service technician only) System board

Memory problems

<ul style="list-style-type: none"> • Follow the suggested actions in the order in which they are listed in the Action column until the problem is solved. • See Chapter 5 “Parts listing, IBM System x3530 M4 Type 7160” on page 155 to check if a component is a consumable, structural, or FRU part. • If an action step is preceded by “(Trained technician only),” that step must be performed only by a trained technician. 	
Symptom	Action
The amount of system memory that is displayed is less than the amount of installed physical memory.	<p>Note: If you change memory, you must update the memory configuration in the Setup utility.</p> <ol style="list-style-type: none"> 1. Make sure that: <ul style="list-style-type: none"> • No error LEDs are lit on the operator information panel, on the memory tray, or on the MAX5 memory expansion module. • Memory mirroring does not account for the discrepancy. • The memory modules are seated correctly (see “Removing a memory module” on page 222 and “Replacing a memory module” on page 222). • You have installed the correct type of memory. • If you changed the memory, you updated the memory configuration in the Setup utility. • All banks of memory are enabled. The server might have automatically disabled a memory bank when it detected a problem, or a memory bank might have been manually disabled. 2. Check the POST event log: <ul style="list-style-type: none"> • If a DIMM was disabled by a systems-management interrupt (SMI), replace the DIMM. • If a DIMM was disabled by the user or by POST, run the Setup utility and enable the DIMM. 3. Run memory diagnostics (see “Running the DSA Preboot diagnostic programs” on page 128). 4. Make sure that there is no memory mismatch when the server is at the minimum memory configuration (see “Installing a memory module” on page 37 for information about DIMM rules and population sequence). 5. Reseat the DIMM. 6. Restart the server.
Multiple rows of DIMMs in a branch are identified as failing.	<ol style="list-style-type: none"> 1. Reseat the DIMMs; then, restart the server. 2. Remove the lowest-numbered DIMM pair of those that are identified and replace it with an identical pair of known good DIMMs; then, restart the server. Repeat as necessary. If the failures continue after all identified pairs are replaced, go to step 4. 3. Return the removed DIMMs, one pair at a time, to their original connectors, restarting the server after each pair, until a pair fails. Replace each DIMM in the failed pair with an identical known good DIMM, restarting the server after each DIMM. Replace the failed DIMM. Repeat step 3 until you have tested all removed DIMMs. 4. Replace the lowest-numbered DIMM pair of those identified; then, restart the server. Repeat as necessary. 5. (Trained technician only) Replace the system board.

Microprocessor problems

- Follow the suggested actions in the order in which they are listed in the Action column until the problem is solved.
- See [Chapter 5 “Parts listing, IBM System x3530 M4 Type 7160” on page 155](#) to check if a component is a consumable, structural, or FRU part.
- If an action step is preceded by “(Trained technician only),” that step must be performed only by a trained technician.

Symptom	Action
The server goes directly to the POST Event Viewer when it is turned on.	<ol style="list-style-type: none"> 1. Correct any errors that are indicated by the light path diagnostics LEDs (see “Light path diagnostics LEDs” on page 117). 2. Make sure that the server supports all the microprocessors and that the microprocessors match in speed, type, and cache size. To view the microprocessor information, run the Setup utility and select System Information → System Summary → Processor. 3. (Trained technician only) Make sure that microprocessor 1 is seated correctly. 4. (Trained technician only) Remove microprocessor 2 and restart the server. 5. Replace the following components one at a time, in the order shown, restarting the server each time: <ol style="list-style-type: none"> a. (Trained technician only) Microprocessor b. (Trained technician only) System board

Monitor and video problems

Some IBM monitors have their own self-tests. If you suspect a problem with your monitor, see the documentation that comes with the monitor for instructions for testing and adjusting the monitor. If you cannot diagnose the problem, call for service.

- Follow the suggested actions in the order in which they are listed in the Action column until the problem is solved.
- See [Chapter 5 “Parts listing, IBM System x3530 M4 Type 7160” on page 155](#) to check if a component is a consumable, structural, or FRU part.
- If an action step is preceded by “(Trained technician only),” that step must be performed only by a trained technician.

Symptom	Action
Testing the monitor.	<ol style="list-style-type: none"> 1. Make sure that the monitor cables are firmly connected. 2. Try using a different monitor on the server, or try using the monitor that is being tested on a different server. 3. Run the diagnostic programs. If the monitor passes the diagnostic programs, the problem might be a video device driver. 4. (Trained technician only) Replace the system board.
The screen is blank.	<ol style="list-style-type: none"> 1. If the server is attached to a KVM switch, bypass the KVM switch to eliminate it as a possible cause of the problem: connect the monitor cable directly to the correct connector on the rear of the server. 2. Make sure that: <ul style="list-style-type: none"> • The server is turned on. If there is no power to the server, see “Power problems” on page 143. • The monitor cables are connected correctly. • The monitor is turned on and the brightness and contrast controls are adjusted correctly. 3. Make sure that the correct server is controlling the monitor, if applicable. 4. Make sure that damaged server firmware is not affecting the video; see “Updating the firmware” on page 81. 5. Observe the checkpoint LEDs on the system board; if the codes are changing, go to step 6. 6. Replace the following components one at a time, in the order shown, restarting the server each time: <ol style="list-style-type: none"> a. Monitor b. Video adapter (if one is installed) c. (Trained technician only) System board. 7. See “Solving undetermined problems” on page 149.
The monitor works when you turn on the server, but the screen goes blank when you start some application programs.	<ol style="list-style-type: none"> 1. Make sure that: <ul style="list-style-type: none"> • The application program is not setting a display mode that is higher than the capability of the monitor. • You installed the necessary device drivers for the application. 2. Run video diagnostics (see “Running the DSA Preboot diagnostic programs” on page 128). <ul style="list-style-type: none"> • If the server passes the video diagnostics, the video is good; see “Solving undetermined problems” on page 149. • (Trained technician only) If the server fails the video diagnostics, replace the system board.

- Follow the suggested actions in the order in which they are listed in the Action column until the problem is solved.
- See [Chapter 5 “Parts listing, IBM System x3530 M4 Type 7160” on page 155](#) to check if a component is a consumable, structural, or FRU part.
- If an action step is preceded by “(Trained technician only),” that step must be performed only by a trained technician.

Symptom	Action
<p>The monitor has screen jitter, or the screen image is wavy, unreadable, rolling, or distorted.</p>	<ol style="list-style-type: none"> 1. If the monitor self-tests show that the monitor is working correctly, consider the location of the monitor. Magnetic fields around other devices (such as transformers, appliances, fluorescents, and other monitors) can cause screen jitter or wavy, unreadable, rolling, or distorted screen images. If this happens, turn off the monitor. <ul style="list-style-type: none"> Attention: Moving a color monitor while it is turned on might cause screen discoloration. <p>Move the device and the monitor at least 305 mm (12 in.) apart, and turn on the monitor.</p> <ul style="list-style-type: none"> Notes: <ol style="list-style-type: none"> a. To prevent diskette drive read/write errors, make sure that the distance between the monitor and any external diskette drive is at least 76 mm (3 in.). b. Non-IBM monitor cables might cause unpredictable problems. 2. Reseat the monitor cable. 3. Replace the components listed in step 2 one at a time, in the order shown, restarting the server each time: <ol style="list-style-type: none"> a. Monitor cable b. Video adapter (if one is installed) c. Monitor d. (Trained technician only) System board.
<p>Wrong characters appear on the screen.</p>	<ol style="list-style-type: none"> 1. If the wrong language is displayed, update the server firmware to the latest level (see “Updating the firmware ” on page 81) with the correct language. 2. Reseat the monitor cable. 3. Replace the components listed in step 2 one at a time, in the order shown, restarting the server each time: <ol style="list-style-type: none"> a. Monitor cable b. Video adapter (if one is installed) c. Monitor d. (Trained technician only) System board.

Network connection problems

<ul style="list-style-type: none"> • Follow the suggested actions in the order in which they are listed in the Action column until the problem is solved. • See Chapter 5 “Parts listing, IBM System x3530 M4 Type 7160” on page 155 to check if a component is a consumable, structural, or FRU part. • If an action step is preceded by “(Trained technician only),” that step must be performed only by a trained technician. 	
Symptom	Action
Unable to wake the server using the Wake on LAN feature.	<ol style="list-style-type: none"> 1. If you are using the dual-port network adapter and the server is connected to the network using Ethernet 5 connector, check the system-error log or IMM2 system event log (see “Event logs” on page 123), make sure: <ol style="list-style-type: none"> a. The room temperature is not too high (see “Server features and specifications” on page 6). b. The air vents are not blocked. c. The air baffle is installed securely. 2. Reseat the dual-port network adapter (see “Removing an adapter” on page 201 and “Installing an adapter” on page 49). 3. Turn off the server and disconnect it from the power source; then, wait 10 seconds before restarting the server. 4. If the problem still remains, replace the dual-port network adapter.
Wake on Lan feature is in disable mode.	<ol style="list-style-type: none"> 1. Turn on the server. <p>Note: Approximately 1 to 3 minutes after the server is connected to ac power, the power-control button becomes active after the power-on LED flashes slowly.</p> 2. When prompted, <F1 Setup> is displayed, press F1. If you have set an administrator password, you are prompted to type the password. 3. Under System Configuration and Boot Management, select System Settings. 4. Under System Settings, select Network. 5. Under Network, select the port number. 6. Under the chosen port number, select Intel (R) I350 Gigabit Network Connection. 7. Under Main Configuration Page, select NIC configuration. 8. Under NIC configuration, change the Wake on Lan function from Disabled to Enabled. 9. Press ESC several times until the System Configuration and Boot Management window is displayed. 10. Select Save Setting. 11. Turn off the server and disconnect it from the power source. You must disconnect the system from ac power to enable the Wake on Lan function.
Log in failed by using LDAP account with SSL enabled.	<ol style="list-style-type: none"> 1. Make sure the license key is valid. 2. Generate a new license key and log in again.

Optional-device problems

- Follow the suggested actions in the order in which they are listed in the Action column until the problem is solved.
- See **Chapter 5** “Parts listing, IBM System x3530 M4 Type 7160” on page 155 to check if a component is a consumable, structural, or FRU part.
- If an action step is preceded by “(Trained technician only),” that step must be performed only by a trained technician.

Symptom	Action
An IBM optional device that was just installed does not work.	<ol style="list-style-type: none"> 1. Make sure that: <ul style="list-style-type: none"> • The device is designed for the server (see http://www.lenovo.com/serverproven/). • You followed the installation instructions that came with the device and the device is installed correctly. • You have not loosened any other installed devices or cables. • You updated the configuration information in the Setup utility. Whenever memory or any other device is changed, you must update the configuration. 2. Reseat the device that you just installed. 3. Replace the device that you just installed.
An IBM optional device that worked previously does not work now.	<ol style="list-style-type: none"> 1. Make sure that all of the cable connections for the device are secure. 2. If the device comes with test instructions, use those instructions to test the device. 3. If the failing device is a SCSI device, make sure that: <ul style="list-style-type: none"> • The cables for all external SCSI devices are connected correctly. • The last device in each SCSI chain, or the end of the SCSI cable, is terminated correctly. • Any external SCSI device is turned on. You must turn on an external SCSI device before you turn on the server. 4. Reseat the failing device. 5. Replace the failing device.

Power problems

<ul style="list-style-type: none"> • Follow the suggested actions in the order in which they are listed in the Action column until the problem is solved. • See Chapter 5 “Parts listing, IBM System x3530 M4 Type 7160” on page 155 to check if a component is a consumable, structural, or FRU part. • If an action step is preceded by “(Trained technician only),” that step must be performed only by a trained technician. 	
Symptom	Action
<p>The power-control button does not work, and the reset button does work (the server does not start).</p> <p>Note: The power-control button will not function until approximately 1 to 3 minutes after the server has been connected to ac power.</p>	<ol style="list-style-type: none"> 1. Make sure that the top cover is closed and latched correctly. 2. Make sure that the top cover/power cut-off switch cable is seated correctly. 3. Make sure that the power-control button on the server is working correctly: <ol style="list-style-type: none"> a. Disconnect the server power cords. b. Reconnect the power cords. c. Reseat the operator information panel cables, and then repeat steps 3a and 3b. <ul style="list-style-type: none"> • If the server starts, reseal the operator information panel. If the problem remains, replace the operator information panel. 4. Make sure that the reset button is working correctly: <ol style="list-style-type: none"> a. Disconnect the server power cords. b. Reconnect the power cords. c. Reseat the operator information panel cable, and then repeat steps 3a and 3b. <ul style="list-style-type: none"> • If the server starts, replace the operator information panel. • If the server does not start, go to step 5. 5. Make sure that: <ul style="list-style-type: none"> • The power cords are correctly connected to the server and to a working electrical outlet. • The type of memory that is installed is correct. • The DIMMs are fully seated. • The LEDs on the power supply do not indicate a problem. • The microprocessors are installed in the correct sequence. 6. Reseat the following components: <ol style="list-style-type: none"> a. DIMMs b. Power supplies 7. Replace the components listed in step 6 one at a time, in the order shown, restarting the server each time. 8. If you just installed an optional device, remove it, and restart the server. If the server now starts, you might have installed more devices than the power supply supports. 9. See “Power-supply LEDs” on page 122. 10. See “Solving undetermined problems” on page 149.
The server does not start.	<ol style="list-style-type: none"> 1. Check the power LED on the system board. See “System-board LEDs” on page 30 for the LED location. 2. Reseat the power supply. 3. Replace the power supply.

- Follow the suggested actions in the order in which they are listed in the Action column until the problem is solved.
- See [Chapter 5 “Parts listing, IBM System x3530 M4 Type 7160” on page 155](#) to check if a component is a consumable, structural, or FRU part.
- If an action step is preceded by “(Trained technician only),” that step must be performed only by a trained technician.

Symptom	Action
The server does not start. (Continued)	
The server does not turn off.	<ol style="list-style-type: none"> 1. Determine whether you are using an Advanced Configuration and Power Interface (ACPI) or a non-ACPI operating system. If you are using a non-ACPI operating system, complete the following steps: <ol style="list-style-type: none"> a. Press Ctrl+Alt+Delete. b. Turn off the server by pressing the power-control button and hold it down for 5 seconds. c. Restart the server. d. If the server fails POST and the power-control button does not work, disconnect the ac power cord for 20 seconds; then, reconnect the ac power cord and restart the server. 2. If the problem remains or if you are using an ACPI-aware operating system, suspect the system board.
The server unexpectedly shuts down, and the LEDs on the operator information panel are not lit.	See “Solving undetermined problems” on page 149 .

Serial-device problems

<ul style="list-style-type: none"> • Follow the suggested actions in the order in which they are listed in the Action column until the problem is solved. • See Chapter 5 “Parts listing, IBM System x3530 M4 Type 7160” on page 155 to check if a component is a consumable, structural, or FRU part. • If an action step is preceded by “(Trained technician only),” that step must be performed only by a trained technician. 	
Symptom	Action
The number of serial ports that are identified by the operating system is less than the number of installed serial ports.	<ol style="list-style-type: none"> 1. Make sure that: <ul style="list-style-type: none"> • Each port is assigned a unique address in the Setup utility and none of the serial ports is disabled. • The serial-port adapter (if one is present) is seated correctly. 2. Reseat the serial port adapter. 3. Replace the serial port adapter.
A serial device does not work.	<ol style="list-style-type: none"> 1. Make sure that: <ul style="list-style-type: none"> • The device is compatible with the server. • The serial port is enabled and is assigned a unique address. • The device is connected to the correct connector (see “Connecting the cables” on page 78). 2. Reseat the following components: <ol style="list-style-type: none"> a. Failing serial device b. Serial cable 3. Replace the components listed in step 2 one at a time, in the order shown, restarting the server each time. 4. (Trained technician only) Replace the system board.

ServerGuide problems

<ul style="list-style-type: none"> • Follow the suggested actions in the order in which they are listed in the Action column until the problem is solved. • See Chapter 5 “Parts listing, IBM System x3530 M4 Type 7160” on page 155 to check if a component is a consumable, structural, or FRU part. • If an action step is preceded by “(Trained technician only),” that step must be performed only by a trained technician. 	
Symptom	Action
The <i>ServerGuide Setup and Installation</i> CD will not start.	<ol style="list-style-type: none"> 1. Make sure that the server supports the ServerGuide program and has a startable (bootable) CD or DVD drive. See the readme file that is part of the ISO image at https://support.lenovo.com/us/en/documents/LNVO-CENTER. 2. Make sure that you burned the CD or DVD from an image (do not burn the CD or DVD ISO file as a data disk) 3. Make sure that you burn the CD or DVD as <i>disk at once</i> (not track at once). 4. If the startup (boot) sequence settings have been changed, make sure that the CD or DVD drive is first in the startup sequence. 5. If more than one CD or DVD drive is installed, make sure that only one drive is set as the primary drive. Start the CD from the primary drive.
The MegaRAID Storage Manager program cannot view all installed drives, or the operating system cannot be installed.	<ol style="list-style-type: none"> 1. Make sure that the hard disk drive is connected correctly. 2. Make sure that the SAS/SATA hard disk drive cables are securely connected.
The operating-system installation program continuously loops.	Make more space available on the hard disk.
The ServerGuide program will not start the operating-system CD.	Make sure that the operating-system CD is supported by the ServerGuide program. For a list of supported operating-system versions, go to http://www.ibm.com/support/entry/portal/docdisplay?indocid=SERV-GUIDE , click IBM Service and Support Site, click the link for your ServerGuide version, and scroll down to the list of supported Microsoft Windows operating systems.
The operating system cannot be installed; the option is not available.	Make sure that the server supports the operating system. If it does, either no logical drive is defined (SCSI RAID servers), or the ServerGuide System Partition is not present. Run the ServerGuide program and make sure that setup is complete.

Software problems

<ul style="list-style-type: none">• Follow the suggested actions in the order in which they are listed in the Action column until the problem is solved.• See Chapter 5 “Parts listing, IBM System x3530 M4 Type 7160” on page 155 to check if a component is a consumable, structural, or FRU part.• If an action step is preceded by “(Trained technician only),” that step must be performed only by a trained technician.	
Symptom	Action
You suspect a software problem.	<ol style="list-style-type: none">1. To determine whether the problem is caused by the software, make sure that:<ul style="list-style-type: none">• The server has the minimum memory that is needed to use the software. For memory requirements, see the information that comes with the software. If you have just installed an adapter or memory, the server might have a memory-address conflict.• The software is designed to operate on the server.• Other software works on the server.• The software works on another server.2. If you received any error messages when using the software, see the information that comes with the software for a description of the messages and suggested solutions to the problem.3. Contact the software vendor.

Universal Serial Bus (USB) port problems

<ul style="list-style-type: none">• Follow the suggested actions in the order in which they are listed in the Action column until the problem is solved.• See Chapter 5 “Parts listing, IBM System x3530 M4 Type 7160” on page 155 to check if a component is a consumable, structural, or FRU part.• If an action step is preceded by “(Trained technician only),” that step must be performed only by a trained technician.	
Symptom	Action
A USB device does not work.	<ol style="list-style-type: none">1. Make sure that:<ul style="list-style-type: none">• The correct USB device driver is installed.• The operating system supports USB devices.2. Make sure that the USB configuration options are set correctly in the Setup utility (see “Using the Setup utility” on page 85 for more information).3. If you are using a USB hub, disconnect the USB device from the hub and connect it directly to the server.

Video problems

See [“Monitor and video problems” on page 138](#).

Solving power problems

Use this information to solve power problems.

Power problems can be difficult to solve. For example, a short circuit can exist anywhere on any of the power distribution buses. Usually, a short circuit will cause the power subsystem to shut down because of an overcurrent condition. To diagnose a power problem, use the following general procedure:

- Step 1. Turn off the server and disconnect all ac power cords.
- Step 2. Check for loose cables in the power subsystem. Also check for short circuits, for example, if a loose screw is causing a short circuit on a circuit board.
- Step 3. If the system-error LED on the system board is lit, complete the following steps:
 - a. Check the IMM2 event log. To access the web interface, see [“Logging on to the Web interface” on page 96](#).
 - b. If a log indicates that there is a power rail failure, find the location of the failed power rail on the system board.
 - c. Disconnect the cables and power cords to all internal and external devices (see [“Internal cable routing” on page 169](#)). Leave the power-supply cords connected.
 - d. Remove each component that is associated with the failed power component, one at a time, restarting the server each time, until the cause of the failure is identified.
 - e. Replace the identified component.
- Step 4. Reconnect all power cords and turn on the server. If the server starts successfully, replace the adapters and devices one at a time until the problem is isolated.

If the server does not start from the minimum configuration, see [“Power-supply LEDs” on page 122](#) to replace the components in the minimum configuration one at a time until the problem is isolated.

Solving Ethernet controller problems

Use this information to solve the Ethernet controller problems.

The method that you use to test the Ethernet controller depends on which operating system you are using. See the operating-system documentation for information about Ethernet controllers, and see the Ethernet controller device-driver readme file.

Try the following procedures:

- Make sure that the correct device drivers, which come with the server are installed and that they are at the latest level.
- Make sure that the Ethernet cable is installed correctly.
 - The cable must be securely attached at all connections. If the cable is attached but the problem remains, try a different cable.
 - If you set the Ethernet controller to operate at 100 Mbps, you must use Category 5 cabling.
 - If you directly connect two servers (without a hub), or if you are not using a hub with X ports, use a crossover cable. To determine whether a hub has an X port, check the port label. If the label contains an X, the hub has an X port.
- Determine whether the hub supports auto-negotiation. If it does not, try configuring the integrated Ethernet controller manually to match the speed and duplex mode of the hub.
- Check the Ethernet controller LEDs on the rear panel of the server. These LEDs indicate whether there is a problem with the connector, cable, or hub.
 - The Ethernet link status LED is lit when the Ethernet controller receives a link pulse from the hub. If the LED is off, there might be a defective connector or cable or a problem with the hub.
 - The Ethernet transmit/receive activity LED is lit when the Ethernet controller sends or receives data over the Ethernet network. If the Ethernet transmit/receive activity is off, make sure that the hub and network are operating and that the correct device drivers are installed.
- Check for operating-system-specific causes of the problem.
- Make sure that the device drivers on the client and server are using the same protocol.

If the Ethernet controller still cannot connect to the network but the hardware appears to be working, the network administrator must investigate other possible causes of the error.

Solving undetermined problems

If Dynamic System Analysis (DSA) cannot diagnose the failure or if the server is inoperative, use the information in this section to solve the undetermined problems.

If you suspect that a software problem is causing failures (continuous or intermittent), see [“Power problems” on page 143](#).

Corrupted data in CMOS memory or corrupted UEFI firmware can cause undetermined problems. To reset the CMOS data, use the CMOS jumper to clear the CMOS memory and override the power-on password; see [“System-board jumpers” on page 29](#). If you suspect that the UEFI firmware is corrupted, see [“Recovering the server firmware \(UEFI update failure\)” on page 150](#).

If the power supplies are working correctly, complete the following steps:

- Step 1. Turn off the server.
- Step 2. Make sure that the server cover is closed and latched correctly.
- Step 3. Make sure that the server top cover/power cut-off switch cable is connected correctly.
- Step 4. Make sure that the server is cabled correctly.
- Step 5. Remove or disconnect the following devices, one at a time, until you find the failure. Turn on the server and reconfigure it each time.
 - Any external devices.
 - Surge-suppressor device (on the server).
 - Printer, mouse, and non-IBM devices.
 - Each adapter.
 - Hard disk drives.
 - Memory modules. The minimum configuration requirement is 2 GB DIMM in slot 1 when one microprocessor is installed in the server.
- Step 6. Turn on the server.

If the problem is solved when you remove an adapter from the server but the problem recurs when you reinstall the same adapter, suspect the adapter; if the problem recurs when you replace the adapter with a different one, suspect the riser card.

If you suspect a networking problem and the server passes all the system tests, suspect a network cabling problem that is external to the server.

Problem determination tips

Because of the variety of hardware and software combinations that can encounter, use the following information to assist you in problem determination. If possible, have this information available when requesting assistance from IBM.

The model number and serial number are located on the ID label on the front of the server as shown in the following illustration.

Note: The illustrations in this document might differ slightly from your hardware.



Figure 72. ID label

- Machine type and model
- Microprocessor or hard disk drive upgrades
- Failure symptom
 - Does the server fail the Dynamic System Analysis diagnostic tests?
 - What occurs? When? Where?
 - Does the failure occur on a single server or on multiple servers?
 - Is the failure repeatable?
 - Has this configuration ever worked?
 - What changes, if any, were made before the configuration failed?
 - Is this the original reported failure?
- Diagnostic program type and version level
- Hardware configuration (print screen of the system summary)
- UEFI firmware level
- IMM firmware level
- Operating-system software

You can solve some problems by comparing the configuration and software setups between working and nonworking servers. When you compare servers to each other for diagnostic purposes, consider them identical only if all the following factors are exactly the same in all the servers:

- Machine type and model
- UEFI firmware level
- IMM firmware level
- Adapters and attachments, in the same locations
- Address jumpers, terminators, and cabling
- Software versions and levels
- Diagnostic program type and version level
- Setup utility settings
- Operating-system control-file setup

See [Appendix D “Getting help and technical assistance” on page 759](#) for information about calling IBM for service.

Recovering the server firmware (UEFI update failure)

Use this information to recover the server firmware.

Important: Some cluster solutions require specific code levels or coordinated code updates. If the device is part of a cluster solution, verify that the latest level of code is supported for the cluster solution before you update the code.

If the server firmware has become corrupted, such as from a power failure during an update, you can recover the server firmware in either of two ways:

- **In-band method:** Recover server firmware, using either the boot block jumper (Automated Boot Recovery) and a server Firmware Update Package Service Pack.
- **Out-of-band method:** Use the IMM Web interface to update the firmware, using the latest server firmware update package.

Notes: You can obtain a server update package from one of the following sources:

- Download the server firmware update from the World Wide Web.
- Contact your IBM service representative.

To download the server firmware update package from the World Wide Web, go to <http://www.ibm.com/supportportal/>.

The flash memory of the server consists of a primary bank and a backup bank. You must maintain a bootable IBM System x Server Firmware (server firmware) image in the backup bank. If the server firmware in the primary bank becomes corrupted, you can either manually boot the backup bank with the boot block jumper, or in the case of image corruption, this will occur automatically with the Automated Boot Recovery function.

In-band manual recovery method

To recover the server firmware and restore the server operation to the primary bank, complete the following steps:

- Step 1. Turn off the server, and disconnect all power cords and external cables.
- Step 2. Remove the server cover. See “[Removing the server top cover](#)” on page 196 for more information.
- Step 3. Locate the UEFI boot recovery jumper (J2) on the system board.

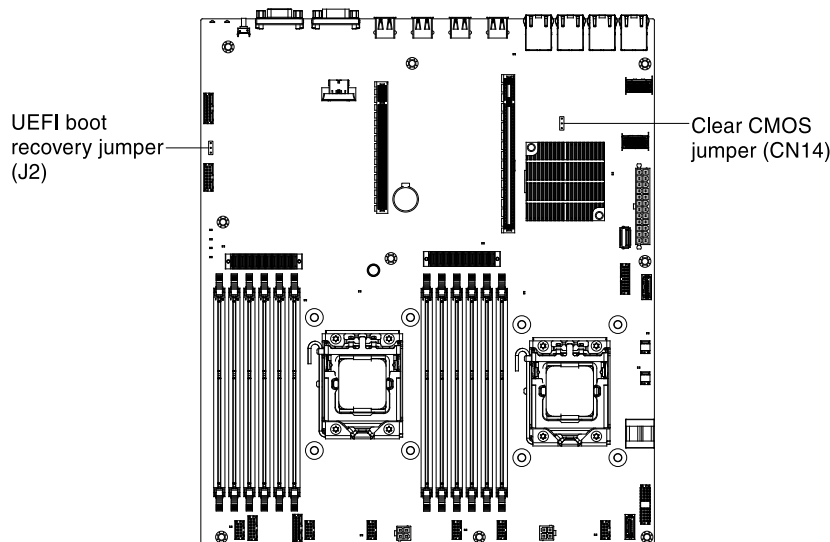


Figure 73. UEFI boot recovery jumper locations

- Step 4. Move the jumper from pins 1 and 2 to pins 2 and 3 to enable the UEFI recovery mode.
- Step 5. Reinstall the server cover; then, reconnect all power cords.
- Step 6. Restart the server. The power-on self-test (POST) starts.

- Step 7. Boot the server to an operating system that is supported by the IBM Flash UEFI Update package that you downloaded.
- Step 8. Perform the firmware update by following the instructions that are in the firmware update package readme file.
- Step 9. Copy the downloaded firmware update package into a directory.
- Step 10. From a command line, type `filename -s`, where *filename* is the name of the executable file that you downloaded with the firmware update package.
- Step 11. Turn off the server and disconnect all power cords and external cables, and then remove the server cover.
- Step 12. Move the UEFI boot recovery jumper back to the primary position (pins 1 and 2).
- Step 13. Reinstall the server cover, and then reconnect all the power cables.
- Step 14. Restart the server.

In-band automated boot recovery method

Note: Use this method if the BOARD LED on the light path diagnostics panel is lit and there is a log entry or Booting Backup Image is displayed on the firmware splash screen; otherwise, use the in-band manual recovery method.

1. Boot the server to an operating system that is supported by the firmware update package that you downloaded.
2. Perform the firmware update by following the instructions that are in the firmware update package readme file.
3. Restart the server.
4. At the firmware splash screen, press F3 when prompted to restore to the primary bank. The server boots from the primary bank.

Out-of-band method: See the IMM documentation.

For more information about UEFI-compliant firmware, go to <http://www.ibm.com/support/entry/portal/docdisplay?Indocid=MIGR-5083207>.

Automated boot recovery (ABR)

Use this information for Automated boot recovery (ABR).

While the server is starting, if the integrated management module detects problems with the server firmware in the primary bank, the server automatically switches to the backup firmware bank and gives you the opportunity to recover the firmware in the primary bank. For instructions for recovering the UEFI firmware, see [“Recovering the server firmware \(UEFI update failure\)” on page 150](#). After you have recovered the firmware in the primary bank, complete the following steps:

- Step 1. Restart the server.
- Step 2. When the prompt `press F3 to restore to primary` is displayed, press F3 to recover the primary bank. Pressing F3 will restart the server.

Nx boot failure

Use this information for Nx-boot failure.

Configuration changes, such as added devices or adapter firmware updates, and firmware or application code problems can cause the server to fail POST (the power-on self-test). If this occurs, the server responds in either of the following ways:

- The server restarts automatically and attempts POST again.
- The server hangs, and you must manually restart the server for the server to attempt POST again.

After a specified number of consecutive attempts (automatic or manual), the Nx boot failure feature causes the server to revert to the default UEFI configuration and start the Setup utility so that you can make the necessary corrections to the configuration and restart the server. If the server is unable to successfully complete POST with the default configuration, there might be a problem with the system board.

To specify the number of consecutive restart attempts that will trigger the Nx boot failure feature, perform the following steps:

Step 1. In the Setup utility, click **System Settings → Recovery → POST Attempts → POST Attempts Limit**.

Step 2. The available options are 3, 6, 9, and 255 (disable Nx boot failure). Select your option.

Chapter 5. Parts listing, IBM System x3530 M4 Type 7160

The parts listing of System x3530 M4 Type 7160.

The following replaceable components are available for the IBM System x3530 M4 Type 7160 server, except as specified otherwise in [“Replaceable server components” on page 155](#). For an updated parts listing, go to <http://www.lenovo.com/support>.

Replaceable server components

The replaceable server components for System x3530 M4 Type 7160.

Replaceable components consist of consumable parts, structural parts, and field replaceable units (FRUs):

- **Consumables:** Purchase and replacement of consumables (components, such as batteries and printer cartridges, that have depleting life) is your responsibility. If Lenovo acquires or installs a consumable component at your request, you will be charged for the service.
- **Structural parts:** Purchase and replacement of structural parts (components, such as chassis assembly, top cover, and bezel) is your responsibility. If Lenovo acquires or installs a structural component at your request, you will be charged for the service.
- **Tier 1 customer replaceable unit (CRU):** Replacement of Tier 1 CRUs is your responsibility. If Lenovo installs a Tier 1 CRU at your request, you will be charged for the installation.
- **Tier 2 customer replaceable unit:** You may install a Tier 2 CRU yourself or request Lenovo to install it, at no additional charge, under the type of warranty service that is designated for your server.

For information about the terms of the warranty and getting service and assistance, see the *Warranty Information* document that comes with the server. For more information about getting service and assistance, see [Appendix D “Getting help and technical assistance” on page 759](#).

The following illustration shows the major components in the server. The illustrations in this document might differ slightly from your hardware.

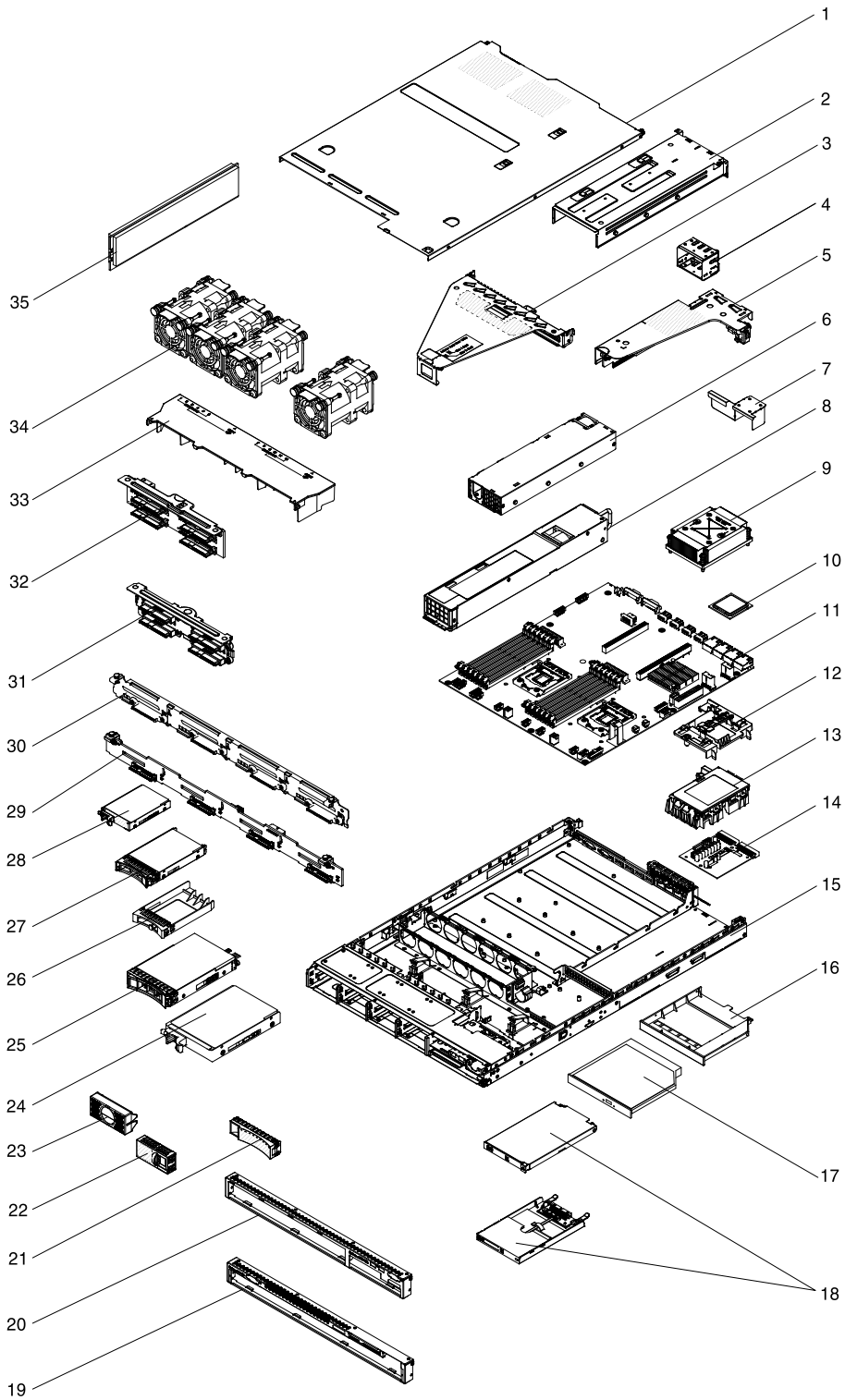


Figure 74. Server components

The following table lists the part numbers for the server components.

Table 14. Parts listing, Type 7160

Index	Description	CRU part number (Tier 1)	CRU part number (Tier 2)
3	PCI Express 3.0 riser card assembly, x16 full-height, half-length	00FK950	
3	PCI Express 3.0 riser card assembly, x16 full-height, half-length	00D4427	
3	PCI Express 3.0 riser card assembly, x8 two-slot	00FK948	
3	PCI Express 3.0 riser card assembly, x8 two-slot	00D4428	
5	PCI Express 3.0 riser card assembly, x4	00FK952	
5	PCI Express 3.0 riser card assembly, x4	46W6624	
7	Air baffle/filler for power supply unit	00W2051	
8	Power supply, 675 Watt, dc	39Y7215	
8	Power supply, 675 Watt HE, ac	39Y7218	
8	Power supply, 460 Watt	39Y7229	
8	Power supply, 460 Watt	69Y5876	
8	Power supply, 460 Watt	69Y5907	
8	Power supply, 460 Watt	69Y5933	
8	Power supply, 460 Watt	94Y8288	
8	Power supply, 460 Watt	69Y5939	
8	Power supply, 675 Watt	69Y5901	
8	Power supply, 675 Watt	69Y5903	
8	Power supply, 675 Watt	69Y5905	
8	Power supply, 675 Watt	69Y5943	
9	Heat sink assembly (all models)		94Y7813
10	Microprocessor, Intel Xeon E5-2403 v2 1.8 GHz, 10 MB, 80 W (quad core)		46W4281
10	Microprocessor, Intel Xeon E5-2407 v2 2.4 GHz, 10 MB, 80 W (quad core)		46W4282
10	Microprocessor, Intel Xeon E5-2420 v2 2.2 GHz, 15 MB, 80 W (six core)		46W4283
10	Microprocessor, Intel Xeon E5-2430 v2 2.5 GHz, 15 MB, 80 W (six core)		46W4284
10	Microprocessor, Intel Xeon E5-2440 v2 1.9 GHz, 20 MB, 95 W (eight core)		46W4285
10	Microprocessor, Intel Xeon E5-2450 v2 2.5 GHz, 20 MB, 95 W (eight core)		46W4286
10	Microprocessor, Intel Xeon E5-2470 v2 2.4 GHz, 25 MB, 95 W (ten core)		46W4287
10	Microprocessor, Intel Xeon E5-2430L v2 2.4 GHz, 15 MB, 60 W (six core)		46W4288
10	Microprocessor, Intel Xeon E5-2450L v2 1.7 GHz, 25 MB, 60 W (ten core)		46W4289

Table 14. Parts listing, Type 7160 (continued)

Index	Description	CRU part number (Tier 1)	CRU part number (Tier 2)
10	Microprocessor, Intel Pentium 1403 v2 2.6 GHz, 5 MB, 80 W (dual core)		46W4290
10	Microprocessor, Intel Pentium 1410 v2 2.8 GHz, 10 MB, 80 W (quad core)		46W4292
10	Microprocessor, Intel Xeon E5-2470 2.3 GHz, 20 MB, 95 W (dual quad core)		90Y4736
10	Microprocessor, Intel Xeon E5-2450 2.1 GHz, 20 MB, 95 W (dual quad core)		90Y4738
10	Microprocessor, Intel Xeon E5-2440 2.4 GHz 15 MB, 95 W (six core)		90Y4739
10	Microprocessor, Intel Xeon E5-2430 2.2 GHz, 15 MB, 95 W (six core)		90Y4740
10	Microprocessor, Intel Xeon E5-2420 1.9 GHz, 15 MB, 95 W (six core)		90Y4742
10	Microprocessor, Intel Xeon E5-2407 2.2 GHz, 10 MB, 80 W (quad core)		90Y4743
10	Microprocessor, Intel Xeon E5-2403 1.8 GHz, 10 MB, 80 W (quad core)		90Y4744
10	Microprocessor, Intel Xeon E5-1403 2.6 GHz, 5 MB, 80 W (dual core)		90Y4745
10	Microprocessor, Intel Xeon E5-1407 2.8 GHz, 5 MB, 80 W (dual core)		90Y4746
10	Microprocessor, Intel Xeon E5-2450L 1.8 GHz, 20 MB, 70 W (dual quad core)		90Y4747
10	Microprocessor, Intel Xeon E5-2430L 2.0 GHz, 15 MB, 60 W (six core)		90Y4748
10	Microprocessor module, Intel Xeon E5-2428L (EMB) EN-1.8 GHz, 15 MB, 7.2GT/S-QPI, 60 W (six core)		00D8760
10	Microprocessor module, Intel Xeon E5-2448L (EMB) EN-1.8 GHz, 20 MB, 8.0GT/S-QPI, 70 W (eight core)		00D8761
10	Microprocessor, Intel Xeon E5-2418L 2.0 GHz 10 MB, 50 W (quad core)		00D8762
10	Microprocessor, Intel Xeon E5-1410 2.8 GHz, 10 MB, 80 W (quad core)		00D9038
10	Microprocessor, Intel Xeon E5-2418L v2 2.0 GHz, 15 MB, 45 W (six core)		00Y8135
10	Microprocessor, Intel Xeon E5-2428L v2 2.4 GHz, 20 MB, 60 W (eight core)		00Y8136
10	Microprocessor, Intel Xeon E5-2448L v2 2.0 GHz, 25 MB, 70 W (ten core)		00Y8137
11	System board (base assembly type 1 for use with Intel Xeon Processor E5-2400 series) Type 7160 - A1x, B1x, F2x, A2x, B2x, C2x, D2x, E1Y, E2Y, E3Y, E4Y, EAY, EBY, ECY, G2x, H2x, J2x		00FL492
11	System board (base assembly type 2 for use with Intel Xeon Processor E5-2400 v2 series) Type 7160 - A3x, A5x, A7x, B3x, B5x, B7x, C3x, F3x, G3x		00Y7538
14	Power paddle card	69Y5879	
17	DVD-ROM drive	44W3254	

Table 14. Parts listing, Type 7160 (continued)

Index	Description	CRU part number (Tier 1)	CRU part number (Tier 2)
17	DVD-RW drive	44W3256	
18	Operator information panel	00KA583	
18	Operator information panel, advanced	00AM393	
24	Hard disk drive, 3.5-inch 512e Near-Line SATA, simple-swap, 2 TB 7.2K 6 Gbps	00FN119	
24	Hard disk drive, 3.5-inch 512e Near-Line SATA, simple-swap, 3 TB 7.2K 6 Gbps	00FN134	
24	Hard disk drive, 3.5-inch 512e Near-Line SATA, simple-swap, 4 TB 7.2K 6 Gbps	00FN149	
24	Hard disk drive, 3.5-inch 512e Near-Line SATA, simple-swap, 5 TB 7.2K 6 Gbps	00FN164	
24	Hard disk drive, 3.5-inch 512e Near-Line SATA, simple-swap, 6 TB 7.2K 6 Gbps	00FN179	
24	Hard disk drive, 3.5-inch SATA, simple-swap, 500 GB 7.2K	81Y9803	
24	Hard disk drive, 3.5-inch Near-Line SATA, simple-swap, 1 TB 7.2K	81Y9807	
24	Hard disk drive, 3.5-inch SATA, simple-swap, 2 TB 7.2K	81Y9811	
24	Hard disk drive, 3.5-inch Near-Line SATA, simple-swap, 3 TB 7.2K	81Y9815	
25	Hard disk drive, 3.5-inch 512e Near-Line SATA, hot-swap, 2 TB 7.2K 6 Gbps	00FN114	
25	Hard disk drive, 3.5-inch 512e Near-Line SATA, hot-swap, 3 TB 7.2K 6 Gbps	00FN129	
25	Hard disk drive, 3.5-inch 512e Near-Line SATA, hot-swap, 4 TB 7.2K 6 Gbps	00FN144	
25	Hard disk drive, 3.5-inch 512e Near-Line SATA, hot-swap, 5 TB 7.2K 6 Gbps	00FN159	
25	Hard disk drive, 3.5-inch 512e Near-Line SATA, hot-swap, 6 TB 7.2K 6 Gbps	00FN174	
25	Hard disk drive, 3.5-inch 512e Near-Line SAS, hot-swap, 2 TB 7.2K 12 Gbps	00FN189	
25	Hard disk drive, 3.5-inch 512e Near-Line SAS, hot-swap, 4 TB 7.2K 12 Gbps	00FN209	
25	Hard disk drive, 3.5-inch 512e Near-Line SAS, hot-swap, 6 TB 7.2K 12 Gbps	00FN229	
25	Self encrypting disk drive, 3.5-inch 512e Near-Line SAS, hot-swap, 2 TB 7.2K 12 Gbps	00FN239	
25	Self encrypting disk drive, 3.5-inch 512e Near-Line SAS, hot-swap, 4 TB 7.2K 12 Gbps	00FN249	
25	Self encrypting disk drive, 3.5-inch 512e Near-Line SAS, hot-swap, 6 TB 7.2K 12 Gbps	00FN259	

Table 14. Parts listing, Type 7160 (continued)

Index	Description	CRU part number (Tier 1)	CRU part number (Tier 2)
25	Hard disk drive, 3.5-inch 512e Near-Line SAS, hot-swap, 2 TB 7.2K 6 Gbps	00ML204	
25	Hard disk drive, 3.5-inch 512e Near-Line SAS, hot-swap, 4 TB 7.2K 6 Gbps	00ML209	
25	Hard disk drive, 3.5-inch 512e Near-Line SAS, hot-swap, 6 TB 7.2K 6 Gbps	00ML214	
25	Self encrypting disk drive, 3.5-inch 512e Near-Line SAS, hot-swap, 2 TB 7.2K 6 Gbps	00ML219	
25	Self encrypting disk drive, 3.5-inch 512e Near-Line SAS, hot-swap, 4 TB 7.2K 6 Gbps	00ML224	
25	Self encrypting disk drive, 3.5-inch 512e Near-Line SAS, hot-swap, 6 TB 7.2K 6 Gbps	00ML229	
25	Hard disk drive, 3.5-inch Near-Line SATA, hot-swap, 1 TB 7.2K	81Y9791	
25	Hard disk drive, 3.5-inch SATA, hot-swap, 7.2K 6 Gbps	81Y9795	
25	Hard disk drive, 3.5-inch SATA, hot-swap, 3 TB 7.2K	81Y9799	
25	Hard disk drive, 3.5-inch Near-Line SATA, hot-swap, 500 GB 7.2K 6 Gbps	81Y9787	
25	Hard disk drive, 3.5-inch Near-Line SAS, hot-swap, 1 TB, 7.2 K	90Y8568	
25	Hard disk drive, 3.5-inch hot-swap, 2 TB, 7.2 K	90Y8573	
25	Hard disk drive, 3.5-inch Near-Line SAS, hot-swap, 3 TB, 7.2 K	90Y8578	
27	Hard disk drive, 2.5-inch hot-swap, 1.2 TB, 10 K, SAS	00AD076	
27	Hard disk drive, 2.5-inch hot-swap SE, 1.2 TB, 10 K, SAS	00AD086	
27	Solid state drive, 2.5-inch hot-swap, 600 GB 15K SAS 6 Gbps 512E G2	00AJ301	
27	Solid state drive, 2.5-inch hot-swap, 120 GB SATA	00AJ356	
27	Solid state drive, 2.5-inch hot-swap, 240 GB SATA	00AJ361	
27	Solid state drive, 2.5-inch hot-swap, 480 GB SATA	00AJ366	
27	Solid state drive, 2.5-inch hot-swap, 800 GB SATA	00AJ371	
27	Solid state drive, 2.5-inch multi level cell hot-swap, 240 GB SATA	00FN299	
27	Solid state drive, 2.5-inch multi level cell hot-swap, 480 GB SATA	00FN328	
27	Solid state drive, 2.5-inch multi level cell hot-swap, 960 GB SATA	00FN333	
27	Hard disk drive, 2.5-inch hot-swap, 900 GB, 10 K	81Y9651	
27	Hard disk drive, 2.5-inch hot-swap, 1 TB, 7.2 K	81Y9691	
27	Hard disk drive, 2.5-inch hot-swap, 250 GB, 7.2 K	81Y9723	
27	Hard disk drive, 2.5-inch hot-swap, 500 GB, 7.2 K	81Y9727	
27	Hard disk drive, 2.5-inch hot-swap, 1 TB, 7.2 K	81Y9731	

Table 14. Parts listing, Type 7160 (continued)

Index	Description	CRU part number (Tier 1)	CRU part number (Tier 2)
27	Hard disk drive, 2.5-inch hot-swap, 300 GB, 15 K	81Y9671	
27	Hard disk drive, 2.5-inch hot-swap, 300 GB, 10 K	90Y8878	
27	Hard disk drive, 2.5-inch hot-swap, 146 GB, 15 K	90Y8927	
27	Hard disk drive, 2.5-inch hot-swap, 146 GB, 15 K, SED	90Y8945	
28	Solid state drive, 2.5-inch simple-swap, SAS, 1.2 TB, 10 K	00AD081	
28	Solid state drive, 2.5-inch simple-swap, 120 GB SATA	00AJ376	
28	Solid state drive, 2.5-inch simple-swap, 240 GB SATA	00AJ381	
28	Solid state drive, 2.5-inch simple-swap, 480 GB SATA	00AJ386	
28	Solid state drive, 2.5-inch simple-swap, 800 GB SATA	00AJ391	
28	Solid state drive, 2.5-inch simple-swap, SATA, 200 GB	43W7745	
28	Solid state drive, 2.5-inch simple-swap, SATA SFF slim 64 GB	49Y5840	
28	Solid state drive, 2.5-inch simple-swap, SATA SFF slim 512 GB	49Y5845	
28	Solid state drive, 2.5-inch simple-swap, SATA SFF 64 GB	49Y5850	
28	Solid state drive, 2.5-inch simple-swap, SATA SFF 512 GB	49Y5855	
28	Solid state drive, 2.5-inch simple-swap, SATA, 256 GB	90Y8664	
28	Solid state drive, 2.5-inch simple-swap, SATA, 128 GB	90Y8669	
28	Solid state drive, 2.5-inch hot-swap, SATA, 200 GB	43W7721	
28	Hard disk drive, 2.5-inch simple-swap, 900 GB 10 K 6 Gbps SAS SFF	81Y9655	
28	Hard disk drive, 2.5-inch simple-swap, 300 GB 15 K 6 Gbps SAS SFF	81Y9675	
28	Hard disk drive, 2.5-inch simple-swap, 1TB 7.2 K 6 Gbps NL SATA SFF	81Y9743	
28	Hard disk drive, 2.5-inch simple-swap, 600 GB 10K 6 GB SFF SAS PI	90Y8891	
28	Hard disk drive, 2.5-inch simple-swap, SAS 300 GB 10K 6 Gbps SFF G2	90Y8896	
28	Hard disk drive, 2.5-inch simple-swap, SAS 146 GB 15K 6 Gbps SFF G2	90Y8936	
29	3.5-inch hot-swap backplane bracket assembly	00D4425	
30	3.5-inch simple-swap bracket	00D4434	
32	Sprint backplane	94Y7587	
34	Fan cage assembly (all models)	00D2567	
35	Memory, 16 GB dual-rank 1.35 V, DDR3, 1600MHz, RDIMM	46W0674	
35	Memory, 32 GB quad-rank 1.5 V, DDR3, 1866MHz, LRDIMM	46W0763	
35	Memory, 8 GB dual-rank 1.35 V, DDR3, 1333MHz, RDIMM	49Y1415	
35	Memory, 8 GB quad-rank 1.35 V, DDR3, 1333MHz, RDIMM	49Y1417	

Table 14. Parts listing, Type 7160 (continued)

Index	Description	CRU part number (Tier 1)	CRU part number (Tier 2)
35	Memory, 4 GB dual-rank 1.35 V, DDR3, 1333MHz, UDIMM	49Y1422	
35	Memory, 2 GB single-rank 1.35 V, DDR3, 1333MHz, RDIMM	49Y1423	
35	Memory, 4 GB single-rank 1.35 V, DDR3, 1333MHz, RDIMM	49Y1424	
35	Memory, 4 GB dual-rank 1.35 V, DDR3, 1333MHz, RDIMM	49Y1425	
35	Memory, 4 GB single-rank 1.5 V, DDR3, 1600MHz, RDIMM	49Y1561	
35	Memory, 16 GB dual-rank 1.35 V, DDR3, 1333MHz, RDIMM	49Y1565	
35	Memory, 32 GB dual-rank 1.35 V, DDR3, 1333MHz, RDIMM	90Y3107	
35	Memory, 4 GB dual-rank 1.5 V, DDR3, 1600MHz, RDIMM	90Y3180	
35	Memory, 8 GB dual-rank 1.5 V, DDR3, 1600MHz, RDIMM	90Y3111	
35	Memory, 4 GB dual-rank 1.35 V, DDR3, 1600MHz, UDIMM	00D5014	
35	Memory, 8 GB dual-rank 1.35 V, DDR3, 1600MHz, UDIMM	00D5018	
35	Memory, 4 GB single-rank 1.35 V, DDR3, 1600MHz, RDIMM	00D5026	
35	Memory, 8 GB, single-rank 1.35 V, DDR3, 1600MHz, RDIMM	00D5038	
35	Memory, 8 GB, dual-rank 1.35 V, DDR3, 1600MHz, RDIMM	00D5046	
35	Memory, 16 GB dual-rank 1.5 V, DDR3, 1600MHz, RDIMM	00D4970	
	Thermal grease kit		41Y9292
	Alcohol wipes		59P4739
	Alcohol wipes		00MP352
	Battery, 3.0 volt	33F8354	
	Bezel assembly, 2.5-inch, front	00MV985	
	Bezel assembly, 3.5-inch, front	00MV984	
	Cable, DD module	94Y5951	
	Cable, iPass mini SAS	00D2597	
	Cable, iPass mini SAS	94Y5954	
	Cable, optical disk drive, combo. slim	81Y7318	
	Cable, 0.5 M (SFF-8644 to SFF-8088) 6Gbps external mini-SAS	00YE303	
	Cable, 1 M	39R6530	
	Cable, 1 M (SFF-8088 to SFF-8088) 6Gbps external mini-SAS	00YE299	
	Cable, 1 M (SFF-8644 to SFF-8088) 6Gbps external mini-SAS	00YE304	
	Cable, 2 M (SFF-8088 to SFF-8088) 6Gbps external mini-SAS	00YE300	
	Cable, 2 M (SFF-8644 to SFF-8088) 6Gbps external mini-SAS	00YE305	
	Cable, 3 M	39R6532	
	Cable, 4 M (SFF-8088 to SFF-8088) 6Gbps external mini-SAS	00YE301	

Table 14. Parts listing, Type 7160 (continued)

Index	Description	CRU part number (Tier 1)	CRU part number (Tier 2)
	Cable, 4 M (SFF-8644 to SFF-8088) 6Gbps external mini-SAS	00YE306	
	Cable, 6 M (SFF-8088 to SFF-8088) 6Gbps external mini-SAS	00YE302	
	Cable, 6 M (SFF-8644 to SFF-8088) 6Gbps external mini-SAS	00YE307	
	Cable, 1.5 M KVM conversion	39M2911	
	Cable, 3.5-inch hot-swap power	81Y7308	
	Cable, 2.5-inch simple-swap power	81Y7312	
	Cable, 2.5-inch power	81Y7316	
	Cable, 3.5-inch signal	81Y7306	
	Cable, 2.5-inch signal	81Y7314	
	Cable, serial conversion	46M4027	
	Cable, virtual media Gen 2	00AK113	
	Cable, USB board	94Y5952	
	Cable, 3.5-inch VGA	94Y6368	
	Cable, 2.5-inch VGA	94Y5953	
	Cable, flash power module ServeRAID M5100 series 425 mm	90Y7310	
	Cord, 4 - 4.3 M line	39M5076	
	Cord, 1.5 M line	39M5375	
	Cord, 4.3 M line	39M5378	
	Cord, PDU jumper	30M5392	
	Cord, PDU C19 60A 3P with line	39Y8926	
	Cord, C13 PDU without line	00AK194	
	Drive, 5.25-inch, 36 GB, USB	99Y3868	
	EIA quick latch kit	00MV986	
	Fiber optic	17P9211	
	Hypervisor, embedded USB flash device	42D0545	
	Keyboard	00AL883	
	Keyboard, USB US English 103P (RoHS)	00FL300	
	Keyboard, US English 103P (RoHS)	94Y6050	
	Keyboard	94Y6108	
	Label, chassis	00D4431	
	Label, chassis, Lenovo	00MV981	
	Label, FRU/CRU list	00W2170	
	Label, GBM	00D4430	

Table 14. Parts listing, Type 7160 (continued)

Index	Description	CRU part number (Tier 1)	CRU part number (Tier 2)
	Label, HDD GBM	00MV980	
	Label, system service	00J6284	
	NetXtreme II 1000 express Ethernet adapter	39Y6070	
	PDU, NEMA	39Y8913	
	PRO/1000 PF adapter	42C1752	
	QLogic 10Gb virtual fabric and SR optical transceiver	42C1816	
	Brocade 10Gb adapter	42C1822	
	Emulex 8Gb FC single-port host bus adapter	00JY847	
	Emulex 8Gb FC dual-port host bus adapter	00JY848	
	Video adapter, NVIDIA Quadro 600	43V5931	
	4Gb FC PCIe single-port adapter	43W7510	
	4Gb FC PCIe dual-port adapter	43W7512	
	ServeRAID M1115 SAS/SATA adapter	46C8928	
	ServeRAID M5100 series 512 MB flash (RAID 5 upgrade)	46C9027	
	ServeRAID M5100 series 1 GB flash (RAID 5 upgrade)	46C9029	
	ServeRAID M5100 series 2 GB flash (RAID 5 upgrade)	47C8671	
	ServeRAID M5120	00AE811	
	ServeRAID M5100 series 512 MB cache (RAID 5 upgrade)	81Y4485	
	ServeRAID H1110 SAS/SATA adapter	81Y4494	
	ServeRAID M5110	00AE807	
	RDX 160 GB cartridge	46C5393	
	RDX 320 GB cartridge	46C5394	
	RDX 500 GB cartridge	46C5395	
	RSPDU+ 24C13 30A	46W1562	
	RSPDU 24C13 3P	46W1568	
	RSPDU 24C13 1P	46W1570	
	Strip Switched & Monitored PDU 12 C19 & 12 C13 fixed 3M 50A or 60A 3Ø	46W1574	
	Strip Strip PDU 12 C19 & 12 C13 60A 3Ø fixed 3M 50A or 60A 3Ø	46W1578	
	RPDU+ 9C19/3C13 3P	46W1582	
	Acc Kit (1U)	46M5293	
	Half high LTO Gen 3 SAS tape drive	46X5663	
	Half high LTO Gen 5 SAS tape drive	46X5683	

Table 14. Parts listing, Type 7160 (continued)

Index	Description	CRU part number (Tier 1)	CRU part number (Tier 2)
	USB cage assembly	00D4449	
	USB optical wheel	39Y9875	
	USB/SATA dongle	44E8876	
	Dual-port 10 GbE adapter	81Y9993	
	Brocade 8Gb FC single-port host bus adapter	46M6061	
	Brocade 8Gb FC dual-port host bus adapter	46M6062	
	Intel I340-T2 Ethernet dual-port adapter	94Y5166	
	Intel I340-T4 Ethernet quad-port adapter	94Y5167	
	Broadcom NetXtreme II dual-port 10Gb adapter	49Y7912	
	Endeavor basic 10Gb BE3-R adapter	00D8543	
	NetXtreme II 1000 express Ethernet dual-port adapter	49Y7947	
	NetXtreme II 1000 express Ethernet quad-port adapter	49Y7949	
	Intel X520-DA2 dual-port 10Gb virtual fabric adapter	49Y7962	
	Brocade 4Gb FC single-port host bus adapter	59Y1992	
	Brocade 4Gb FC dual-port host bus adapter	59Y1998	
	6 Gb SAS HBA	46C8935	
	6 Gb performance optimized HBA	46C8937	
	Mellanox ConnectX-2 VPI dual-port QSFP QDR IB/10GbE PCI-E 2.0 HCA	81Y1537	
	Emulex 16Gb FC single-port HBA	81Y1658	
	Emulex 16Gb FC dual-port HBA	81Y1665	
	Brocade 16Gb FC single-port HBA	81Y1671	
	Brocade 16Gb FC dual-port HBA	81Y1678	
	Broadcom NetExtreme qp	90Y9355	
	Broadcom NetExtreme dp	90Y9373	
	Emulex 10 GbE	95Y3766	
	Washer spacer	00Y8219	

Consumable parts

Consumable parts are not covered by the Lenovo Statement of Limited Warranty. You can place an order on the structural parts from the Lenovo retail store.

The following consumable parts are available for purchase from the retail store.

Table 15. Consumable parts, Type 7160

Index	Description	Part number
12	ServeRAID M5110 series battery kit	81Y4491

To order a consumable part, complete the following steps:

Note: Changes are made periodically to the website. The actual procedure might vary slightly from what is described in this document.

1. Go to <http://www.lenovo.com>.
2. From the **Products** menu, select **Upgrades, accessories & parts**.
3. Click **Obtain maintenance parts**; then, follow the instructions to order the part from the retail store.

If you need help with your order, call the toll-free number that is listed on the retail parts page, or contact your local Lenovo representative for assistance.

Structural parts

Structural parts are not covered by the Lenovo Statement of Limited Warranty. You can place an order on the structural parts from the Lenovo retail store.

Table 16. Structural parts, Type 7160

Index	Description	Part number
1	Top cover	00D4437
2	Power supply unit cage, redundant	00D4444
2	Power supply unit cage, fixed	00D4445
4	Filler, power supply 1U	49Y4821
13	Remote RAID battery tray	00W2199
15	Chassis assembly (3.5-inch, without front bezel)	00D4433
15	Chassis assembly (2.5-inch, without front bezel)	00D4440
16	Filler, optical drive	00D4436
19	Front bezel, 3.5-inch	00D4447
20	Front bezel, 2.5-inch	00D4448
21	Filler, 3.5-inch simple-swap	69Y5368
21	Filler, 3.5-inch hot-swap	69Y5364
26	Filler, blank EMC	44T2248
31	2.5-inch simple-swap bracket assembly	00J6283
33	Air baffle	00D4439
	240 VA safety cover	00D4435
	EIA kit	00D4438
	2.5-inch mechanical shell assembly	00AL104
	2.5-inch mechanical shell assembly	00J6281

Table 16. Structural parts, Type 7160 (continued)

Index	Description	Part number
	3.5-inch mechanical shell assembly	00AL103
	3.5-inch mechanical shell assembly	00W2198
	Acc kit (1U)	46M5293
	Cartridge, 160 GB	46C5393
	Cartridge, 320 GB	46C5394
	Cartridge, 500 GB	46C5395
	Filler, DIMM	81Y4297
	Filler, hard disk drive bay	59Y3925
	Miscellaneous parts kit	00D4446
	Static rail assembly	00Y8216
	USB cage assembly	00D4449

To order a structural part, go to <http://www.lenovo.com>.

If you need help with your order, call the toll-free number that is listed on the retail parts page, or contact your local Lenovo representative for assistance.

Power cords

For your safety, a power cord with a grounded attachment plug is provided to use with this product. To avoid electrical shock, always use the power cord and plug with a properly grounded outlet.

power cords

Power cords for this product that are used in the United States and Canada are listed by Underwriter's Laboratories (UL) and certified by the Canadian Standards Association (CSA).

For units intended to be operated at 115 volts: Use a UL-listed and CSA-certified cord set consisting of a minimum 18 AWG, Type SVT or SJT, three-conductor cord, a maximum of 15 feet in length and a parallel blade, grounding-type attachment plug rated 15 amperes, 125 volts.

For units intended to be operated at 230 volts (U.S. use): Use a UL-listed and CSA-certified cord set consisting of a minimum 18 AWG, Type SVT or SJT, three-conductor cord, a maximum of 15 feet in length and a tandem blade, grounding-type attachment plug rated 15 amperes, 250 volts.

For units intended to be operated at 230 volts (outside the U.S.): Use a cord set with a grounding-type attachment plug. The cord set should have the appropriate safety approvals for the country in which the equipment will be installed.

Power cords for a specific country or region are usually available only in that country or region.

Power cord part number	Used in these countries and regions
39M5206	China
39M5102	Australia, Fiji, Kiribati, Nauru, New Zealand, Papua New Guinea

Power cord part number	Used in these countries and regions
39M5123	Afghanistan, Albania, Algeria, Andorra, Angola, Armenia, Austria, Azerbaijan, Belarus, Belgium, Benin, Bosnia and Herzegovina, Bulgaria, Burkina Faso, Burundi, Cambodia, Cameroon, Cape Verde, Central African Republic, Chad, Comoros, Congo (Democratic Republic of), Congo (Republic of), Cote D'Ivoire (Ivory Coast), Croatia (Republic of), Czech Republic, Dahomey, Djibouti, Egypt, Equatorial Guinea, Eritrea, Estonia, Ethiopia, Finland, France, French Guyana, French Polynesia, Germany, Greece, Guadeloupe, Guinea, Guinea Bissau, Hungary, Iceland, Indonesia, Iran, Kazakhstan, Kyrgyzstan, Laos (People's Democratic Republic of), Latvia, Lebanon, Lithuania, Luxembourg, Macedonia (former Yugoslav Republic of), Madagascar, Mali, Martinique, Mauritania, Mauritius, Mayotte, Moldova (Republic of), Monaco, Mongolia, Morocco, Mozambique, Netherlands, New Caledonia, Niger, Norway, Poland, Portugal, Reunion, Romania, Russian Federation, Rwanda, Sao Tome and Principe, Saudi Arabia, Senegal, Serbia, Slovakia, Slovenia (Republic of), Somalia, Spain, Suriname, Sweden, Syrian Arab Republic, Tajikistan, Tahiti, Togo, Tunisia, Turkey, Turkmenistan, Ukraine, Upper Volta, Uzbekistan, Vanuatu, Vietnam, Wallis and Futuna, Yugoslavia (Federal Republic of), Zaire
39M5130	Denmark
39M5144	Bangladesh, Lesotho, Macao, Maldives, Namibia, Nepal, Pakistan, Samoa, South Africa, Sri Lanka, Swaziland, Uganda
39M5151	Abu Dhabi, Bahrain, Botswana, Brunei Darussalam, Channel Islands, China (Hong Kong S.A.R.), Cyprus, Dominica, Gambia, Ghana, Grenada, Iraq, Ireland, Jordan, Kenya, Kuwait, Liberia, Malawi, Malaysia, Malta, Myanmar (Burma), Nigeria, Oman, Polynesia, Qatar, Saint Kitts and Nevis, Saint Lucia, Saint Vincent and the Grenadines, Seychelles, Sierra Leone, Singapore, Sudan, Tanzania (United Republic of), Trinidad and Tobago, United Arab Emirates (Dubai), United Kingdom, Yemen, Zambia, Zimbabwe
39M5158	Liechtenstein, Switzerland
39M5165	Chile, Italy, Libyan Arab Jamahiriya
39M5172	Israel
39M5095	220 - 240 V Antigua and Barbuda, Aruba, Bahamas, Barbados, Belize, Bermuda, Bolivia, Caicos Islands, Canada, Cayman Islands, Colombia, Costa Rica, Cuba, Dominican Republic, Ecuador, El Salvador, Guam, Guatemala, Haiti, Honduras, Jamaica, Mexico, Micronesia (Federal States of), Netherlands Antilles, Nicaragua, Panama, Peru, Philippines, Saudi Arabia, Thailand, Taiwan, United States of America, Venezuela
39M5076	110 - 120 V Antigua and Barbuda, Aruba, Bahamas, Barbados, Belize, Bermuda, Bolivia, Caicos Islands, Canada, Cayman Islands, Colombia, Costa Rica, Cuba, Dominican Republic, Ecuador, El Salvador, Guam, Guatemala, Haiti, Honduras, Jamaica, Mexico, Micronesia (Federal States of), Netherlands Antilles, Nicaragua, Panama, Peru, Philippines, Saudi Arabia, Thailand, Taiwan, United States of America, Venezuela
39M5219	Korea (Democratic People's Republic of), Korea (Republic of)
39M5199	Japan
39M5226	India
39M5240	Brazil

Chapter 6. Removing and replacing structural parts

Use this information to remove and replace the structural parts.

Replacement of structural parts is your responsibility. If Lenovo installs a structural part at your request, you will be charged for the installation.

The illustrations in this document might differ slightly from your hardware.

Returning a device or component

If you are instructed to return a device or component, follow all packaging instructions, and use any packaging materials for shipping that are supplied to you.

Internal cable routing

This section provides information about routing the cables when you install some components in the server.

For more information about the requirements for cables and connecting devices, see the documentation that comes with these devices.

Attention: Failing to install or remove the cable with care may damage the connectors on the system board. Any damage to the connectors may require replacing the system board.

General

The following illustrations show the general cabling information.

The following illustrations show the cabling information for the optional optical drive with different power supply models:

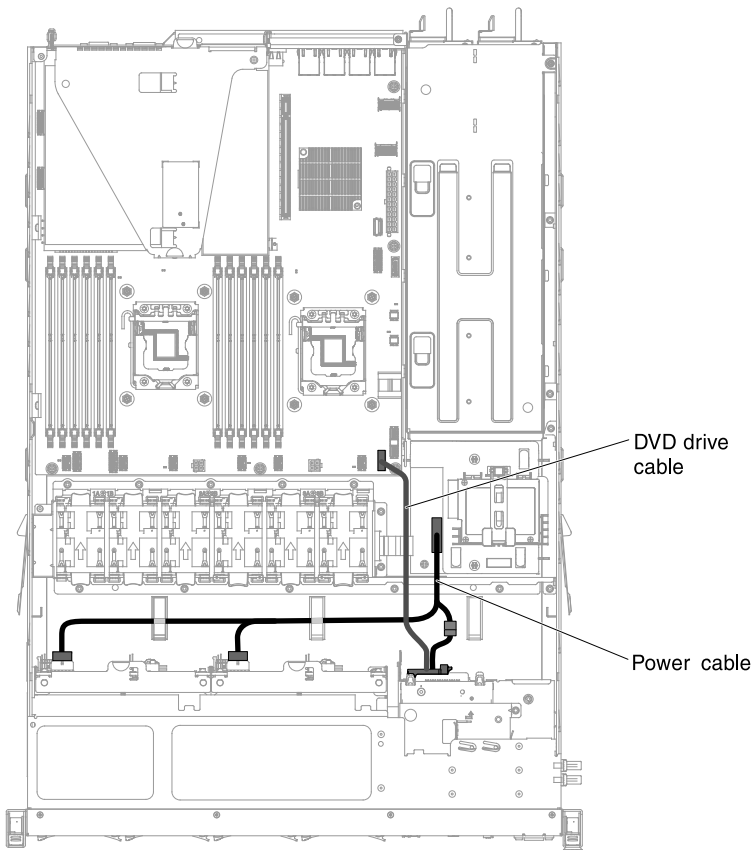
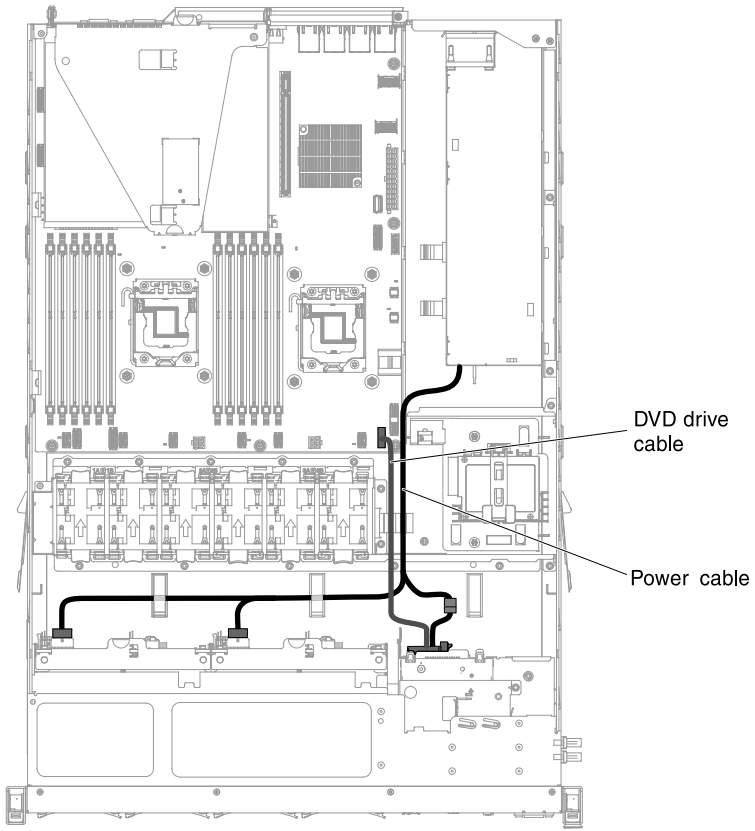


Figure 75. Cabling information for the optional optical drive with different power supply models

Attention: Failing to disconnect the optical drive cable from the system board properly may damage the connector on the system board. Any damage to the connector may require replacing the system board.

The following illustrations show the cabling information for the power interposer card assembly for fixed and redundant power supply models respectively:

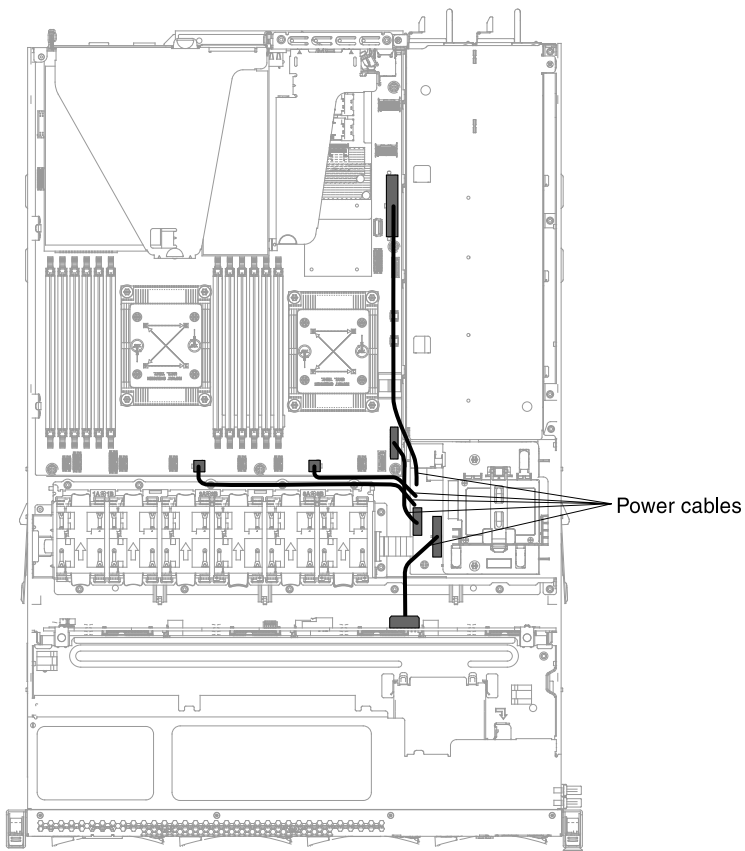
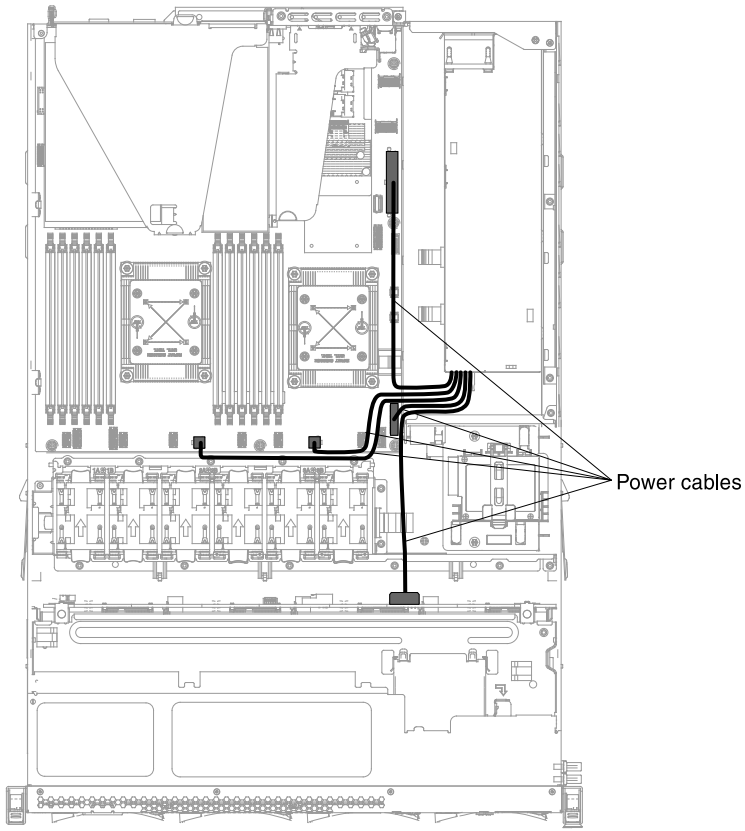


Figure 76. Cabling information for the power interposer card assembly for fixed and redundant power supply models

The following illustration shows the cabling information for installing the RAID battery remotely in the server:

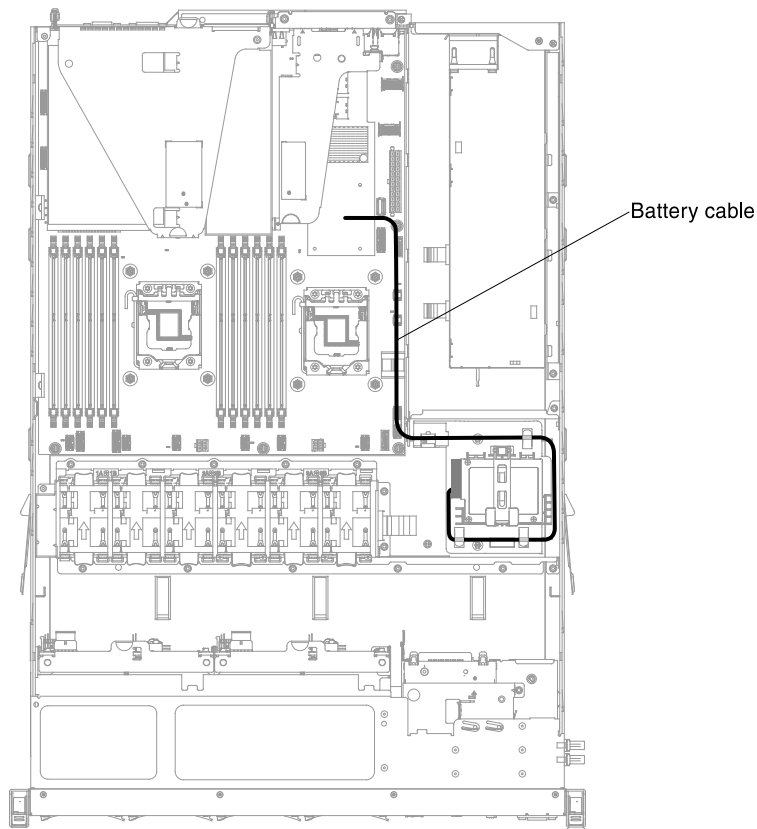


Figure 77. Cabling information for installing the RAID battery remotely

2.5-inch hard disk drive cable connection

The following illustration shows the 2.5-inch hard disk drive cable connection.

4-drive-capable model

The following illustrations show the cabling information for the model of 4x2.5-inch hot-swap drive bays.

The following illustration shows the cabling information for the configuration cable in the server:

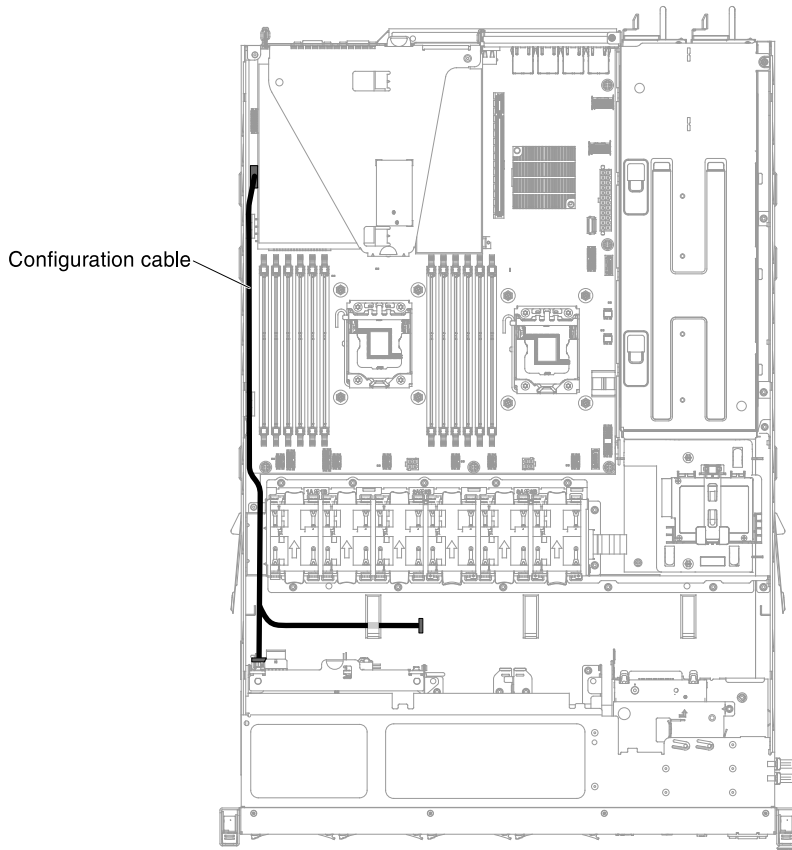


Figure 78. Cabling information for the configuration cable

The following illustration shows the cabling information for the power cable in the server:

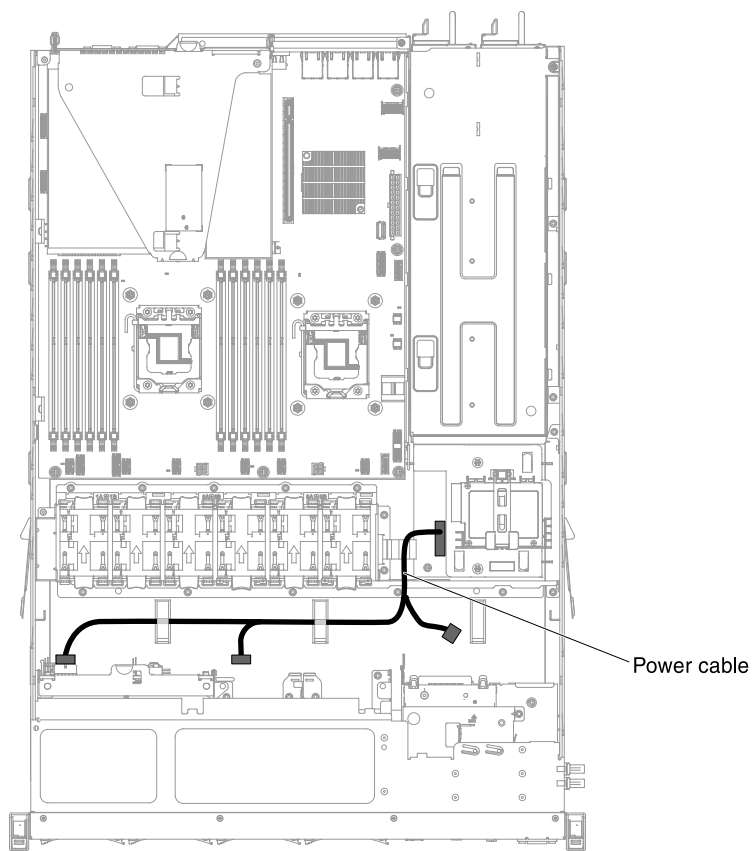


Figure 79. Cabling information for the power cable (redundant power model)

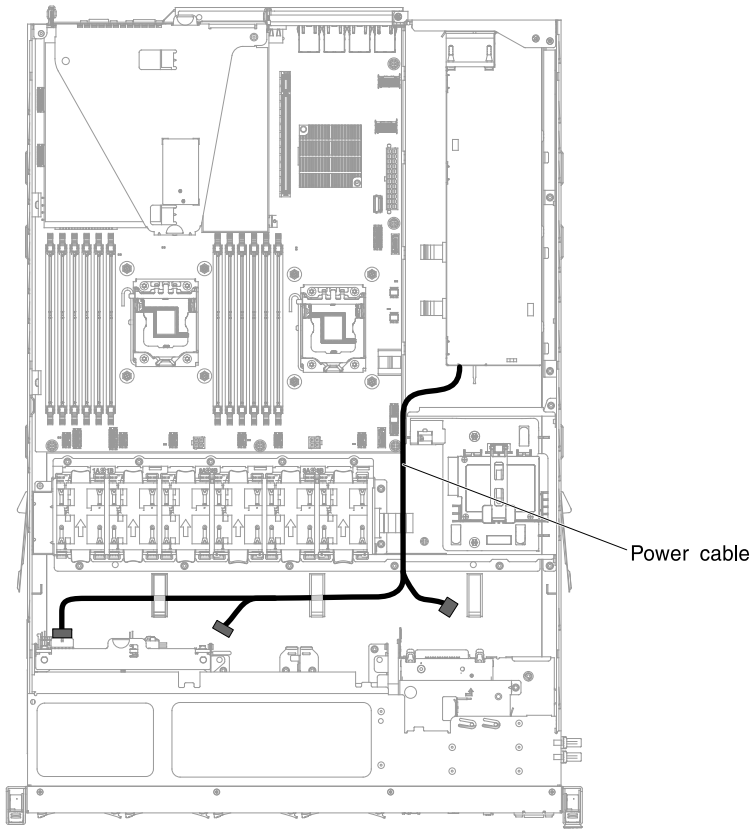


Figure 80. Cabling information for the power cable (fixed power model)

The following illustration shows the cabling information for the hardware RAID cable in the server:

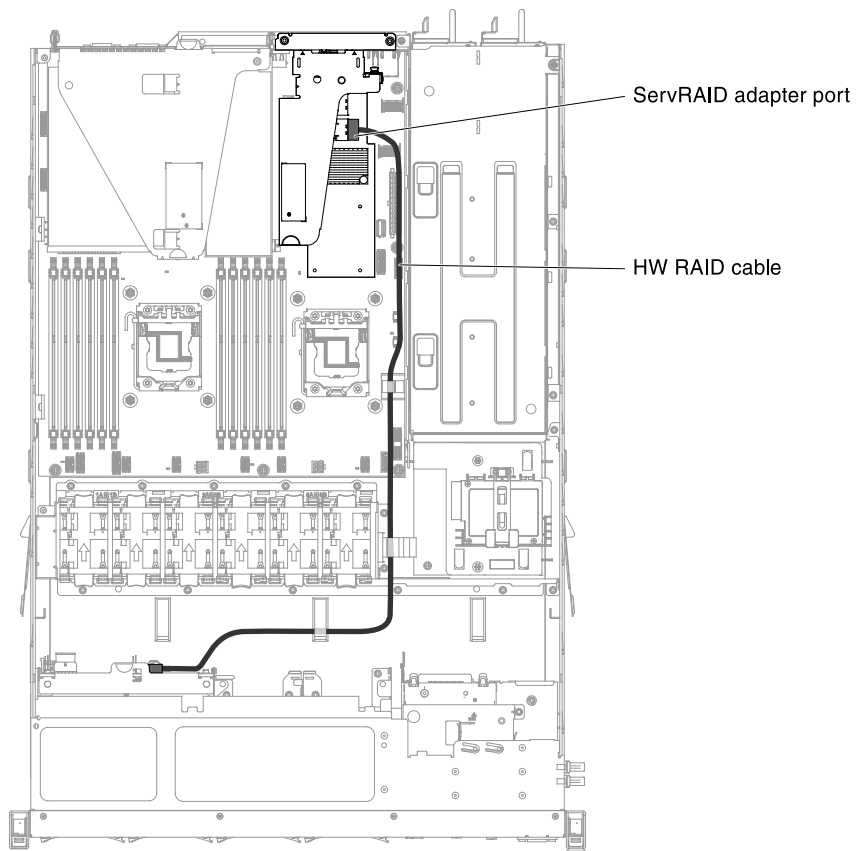


Figure 81. Cabling information for the hardware RAID cable

The following illustration shows the cabling information for the software RAID cable in the server:

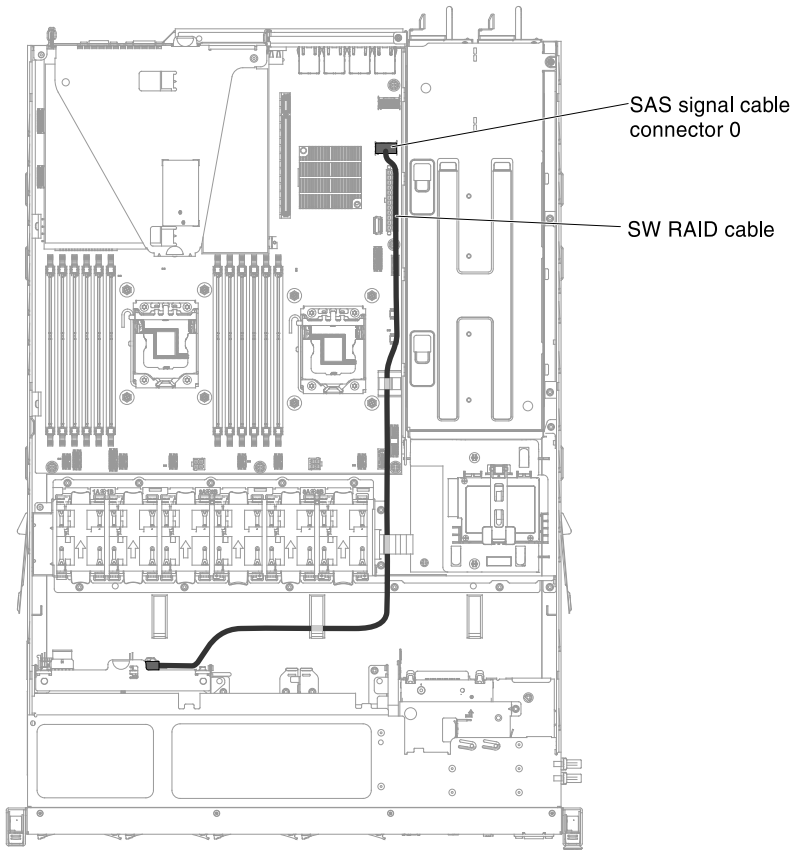


Figure 82. Cabling information for the software RAID cable

8-drive-capable model

The following illustrations show the cabling information for the model of 8x2.5-inch drive bays.

The following illustrations show the cabling information for the two 4x2.5-inch hot-swap drives model:

The following illustration shows the cabling information for the configuration cable in the server:

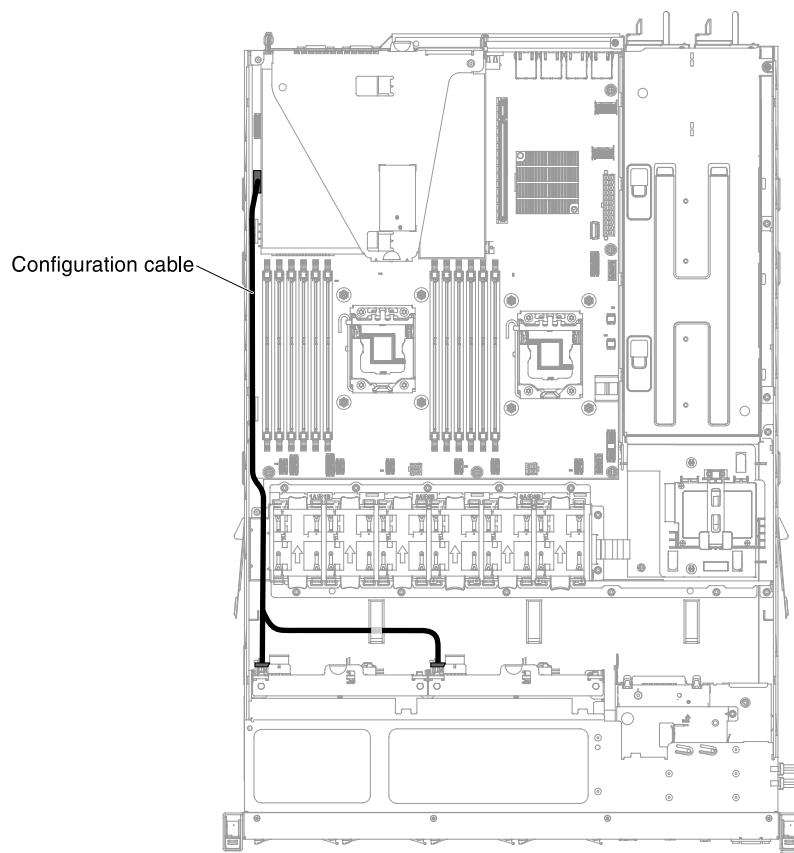


Figure 83. Cabling information for the configuration cable

The following illustrations show the cabling information for the power cable in the server:

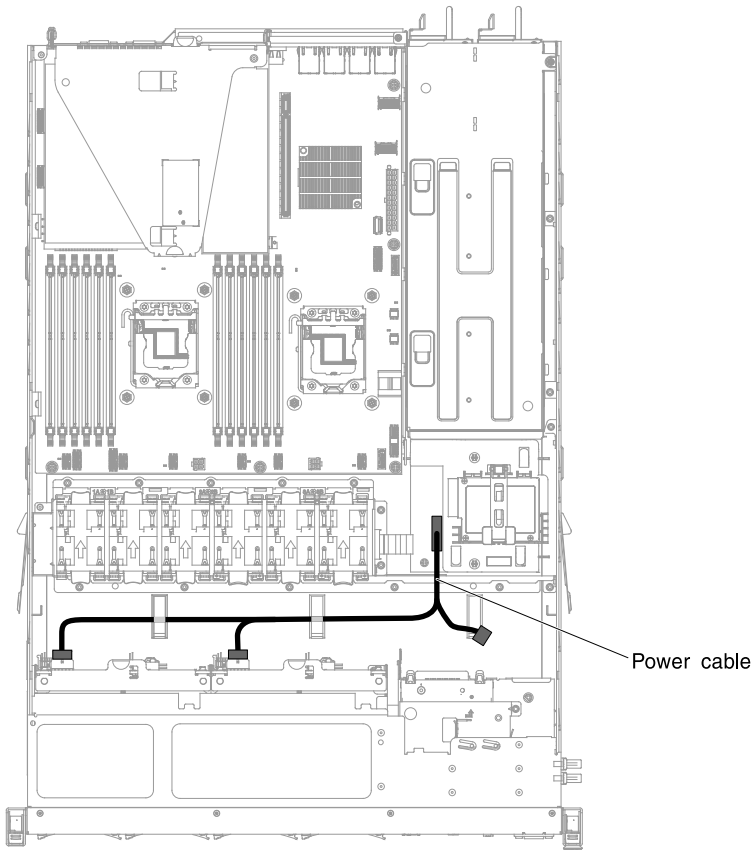


Figure 84. Cabling information for the power cable (redundant power model)

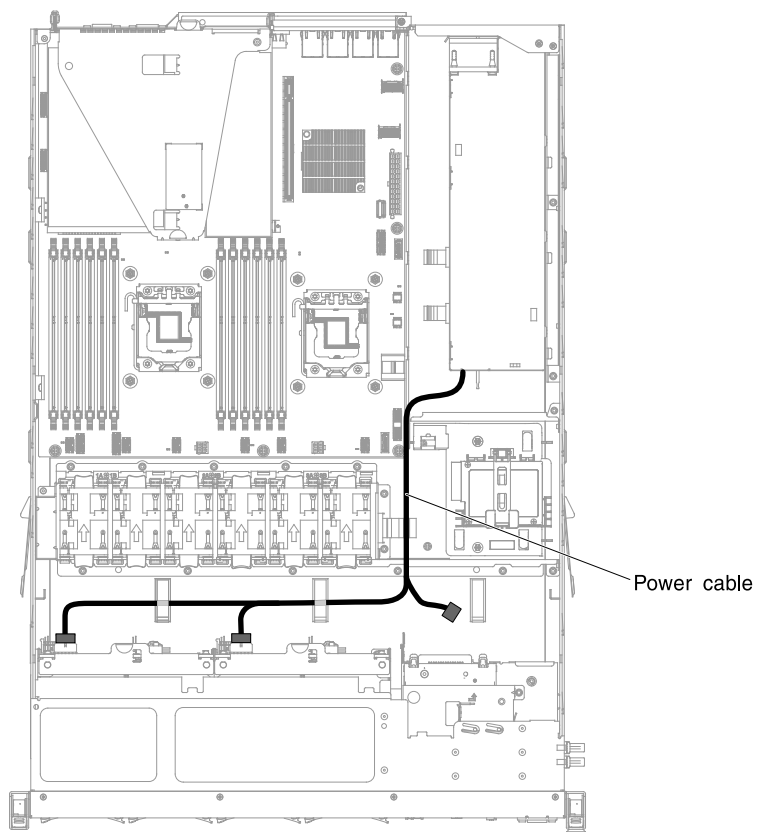


Figure 85. Cabling information for the power cable (fixed power model)

The following illustration shows the cabling information for the hardware RAID cable in the server:

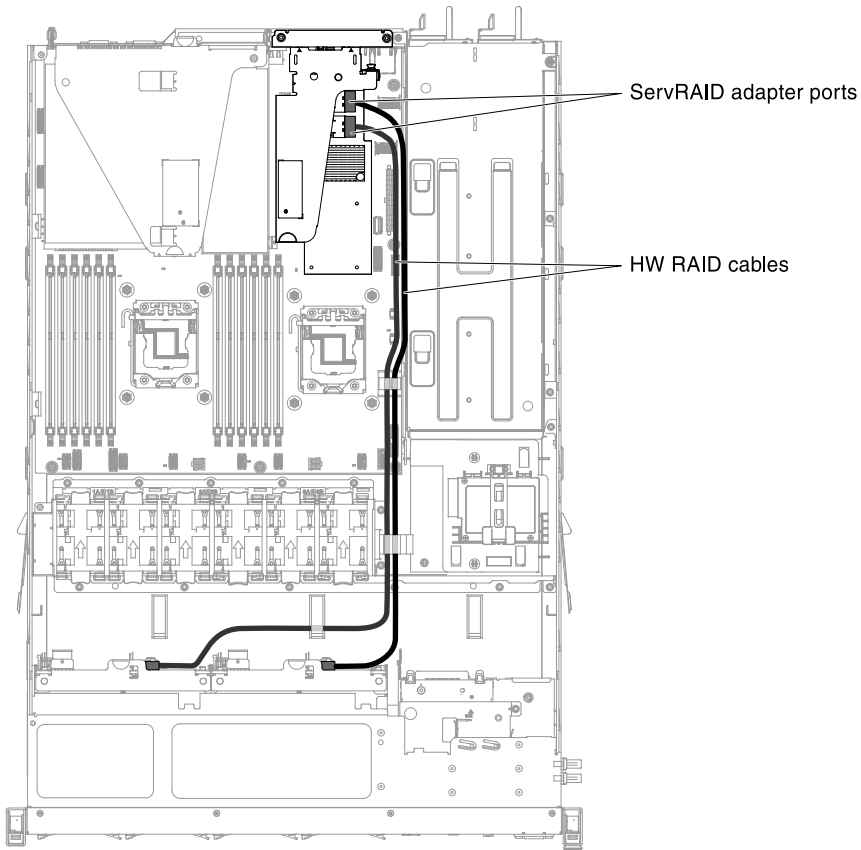


Figure 86. Cabling information for the hardware RAID cable

The following illustration shows the cabling information for the software RAID cable in the server:

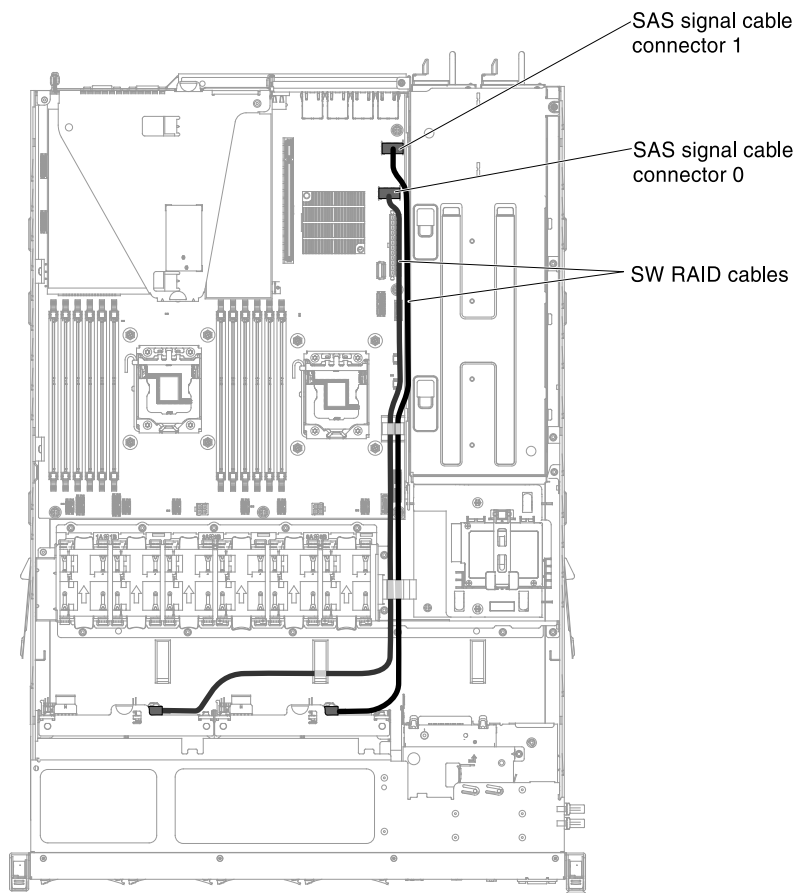


Figure 87. Cabling information for the software RAID cable

The following illustrations show the cabling information for the two 4x2.5-inch simple-swap drives model:

The following illustrations show the cabling information for the power cable in the server:

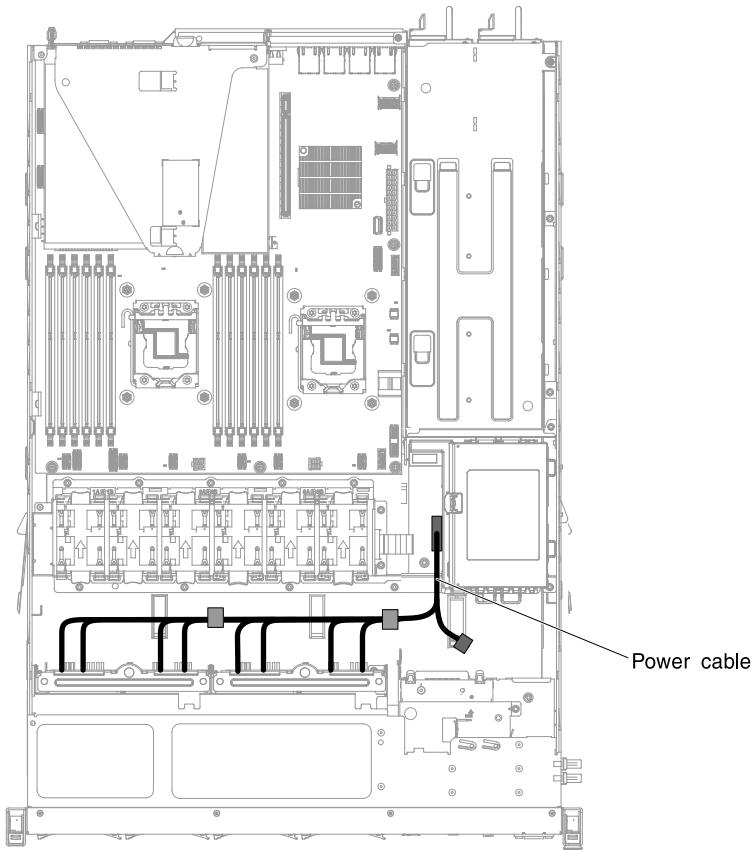


Figure 88. Cabling information for the power cable (redundant power model)

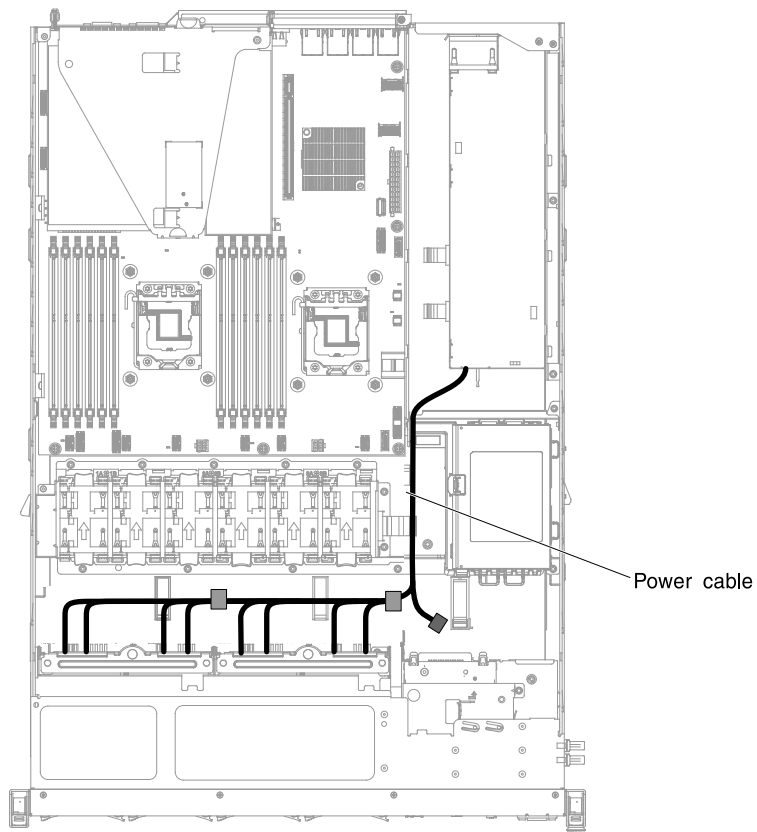


Figure 89. Cabling information for the power cable (fixed power model)

The following illustration shows the cabling information for the hardware RAID cable in the server:

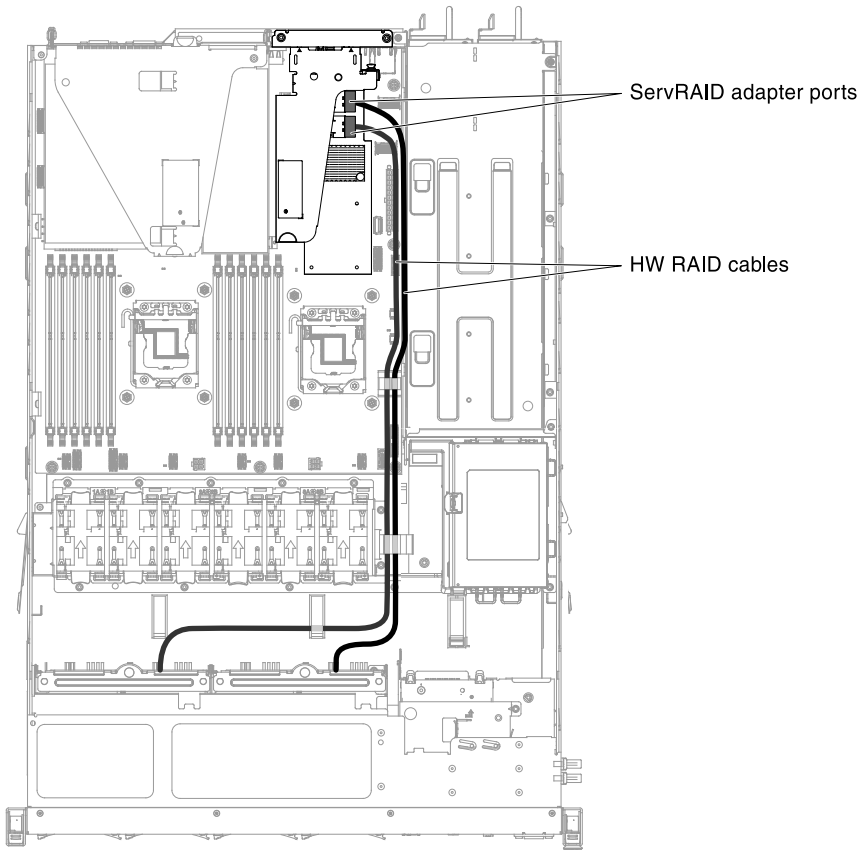


Figure 90. Cabling information for the hardware RAID cable

The following illustration shows the cabling information for the software RAID cable in the server:

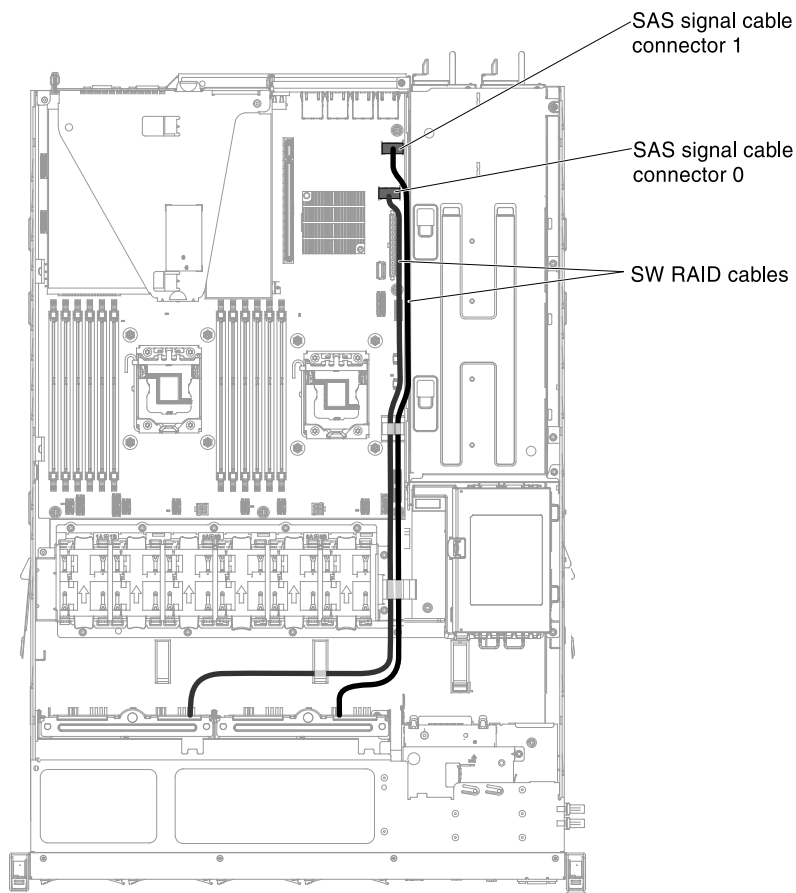


Figure 91. Cabling information for the software RAID cable

3.5-inch hard disk drive cable connection

The following illustration shows the 3.5-inch hard disk drive cable connection.

3.5-inch hot-swap model

The following illustrations show the cabling information for the 4x3.5-inch hot-swap SATA/SAS drive backplane assembly.

The following illustration shows the cabling information for the configuration cable in the server:

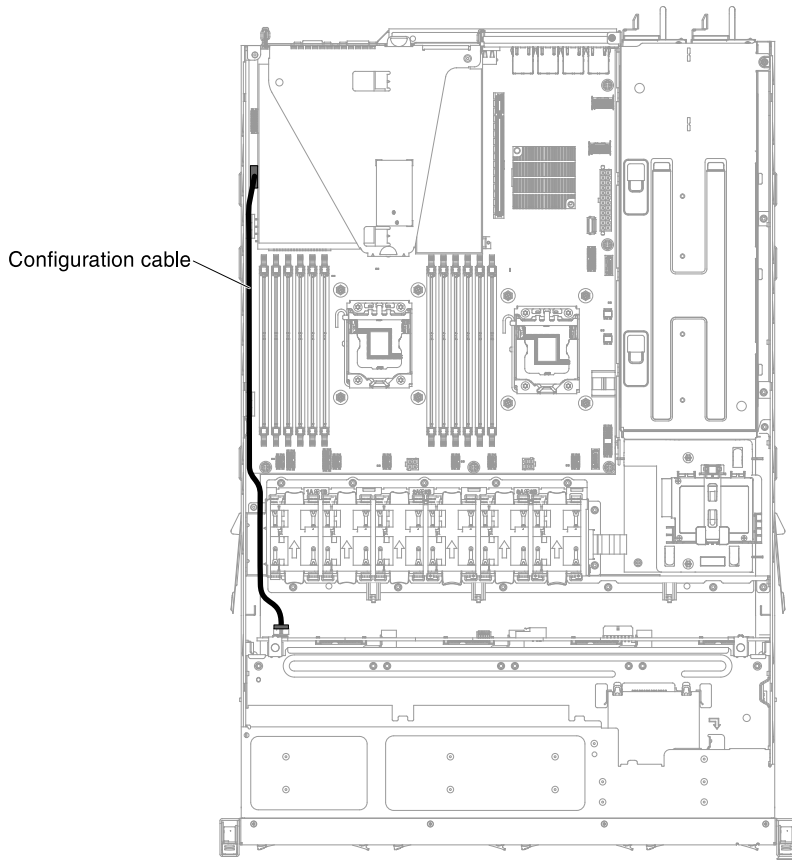


Figure 92. Cabling information for the configuration cable

The following illustrations show the cabling information for the power cable in the server:

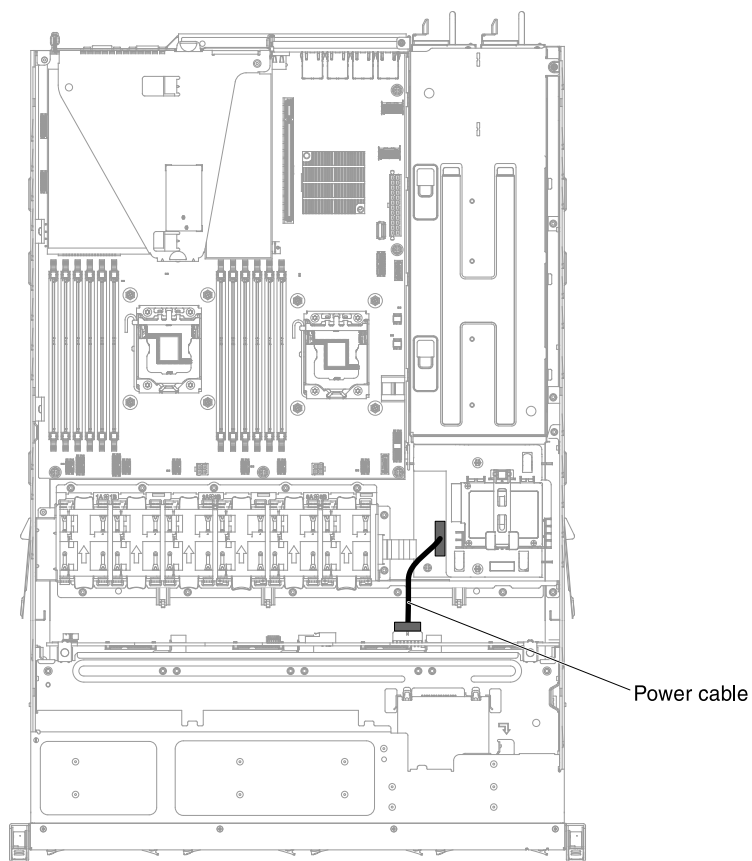


Figure 93. Cabling information for the power cable (redundant power model)

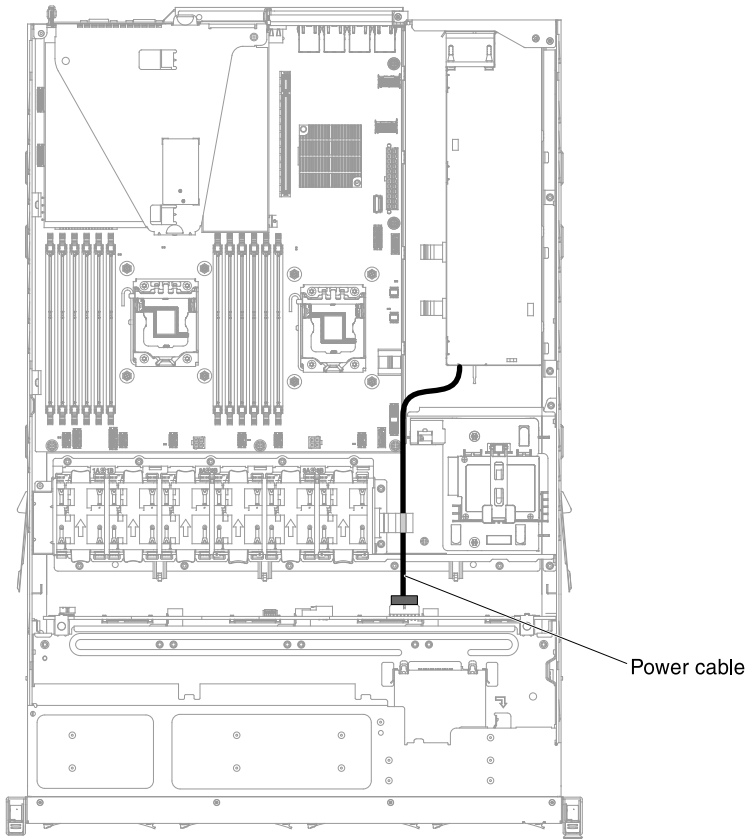


Figure 94. Cabling information for the power cable (fixed power model)

The following illustration shows the cabling information for the hardware RAID cable in the server:

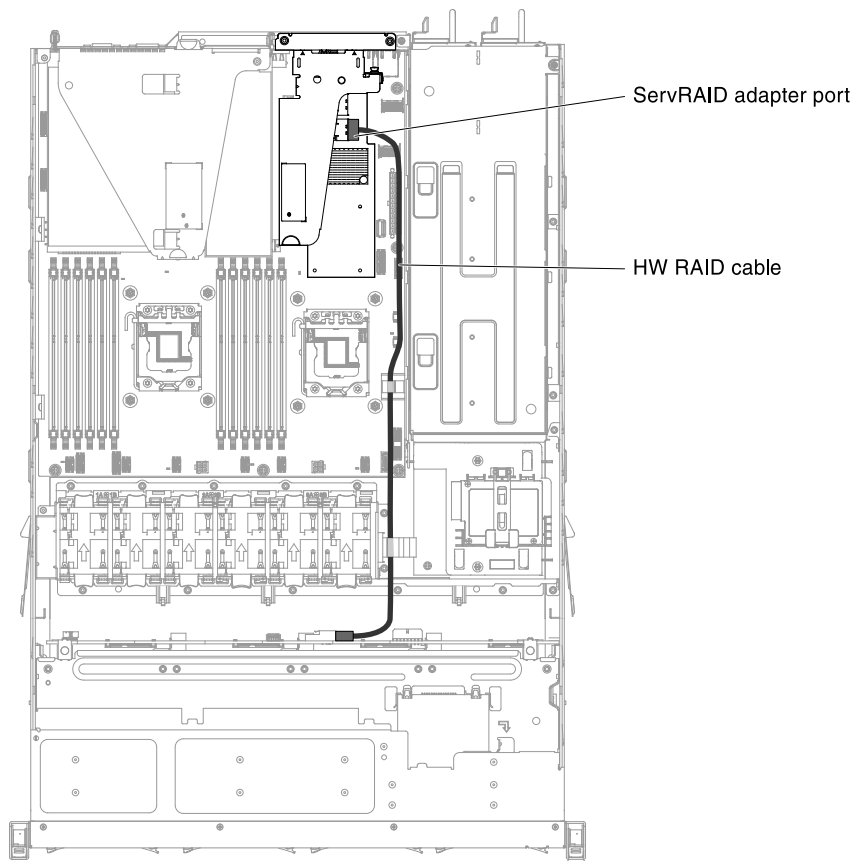


Figure 95. Cabling information for the hardware RAID cable

The following illustration shows the cabling information for the software RAID cable in the server:

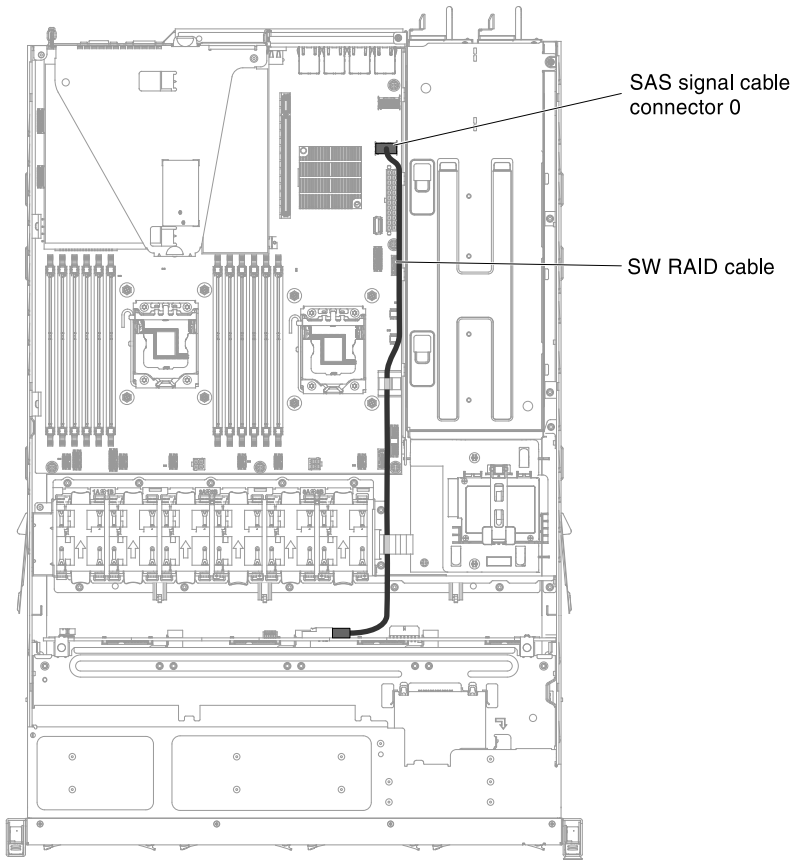


Figure 96. Cabling information for the software RAID cable

3.5-inch simple-swap model

The following illustration shows the cabling information for the 4x3.5-inch simple-swap SATA drive backplate assembly:

The following illustrations show the cabling information for the power cable in the server:

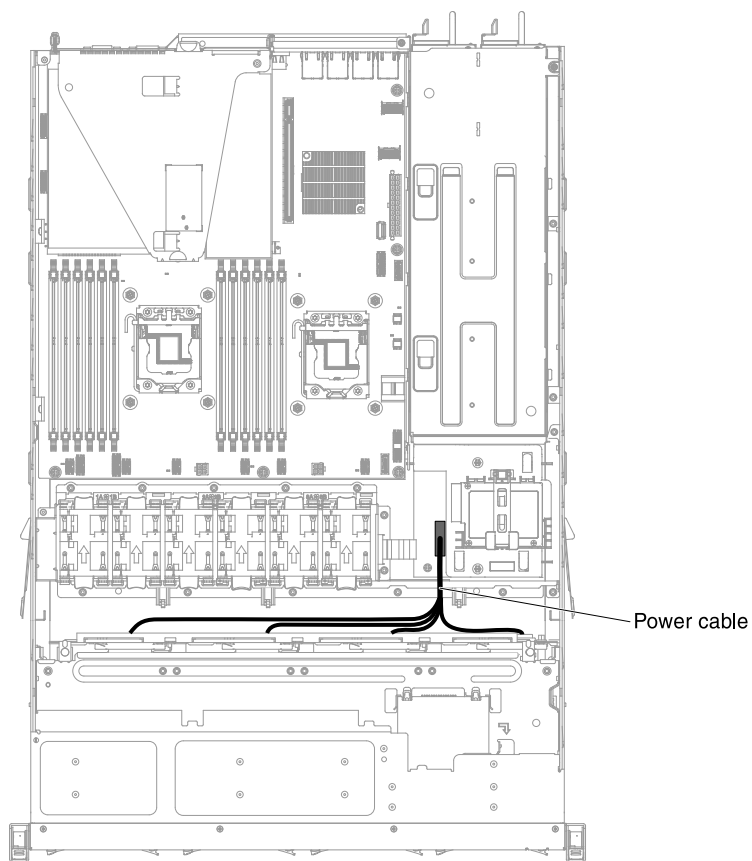


Figure 97. Cabling information for the power cable (redundant power model)

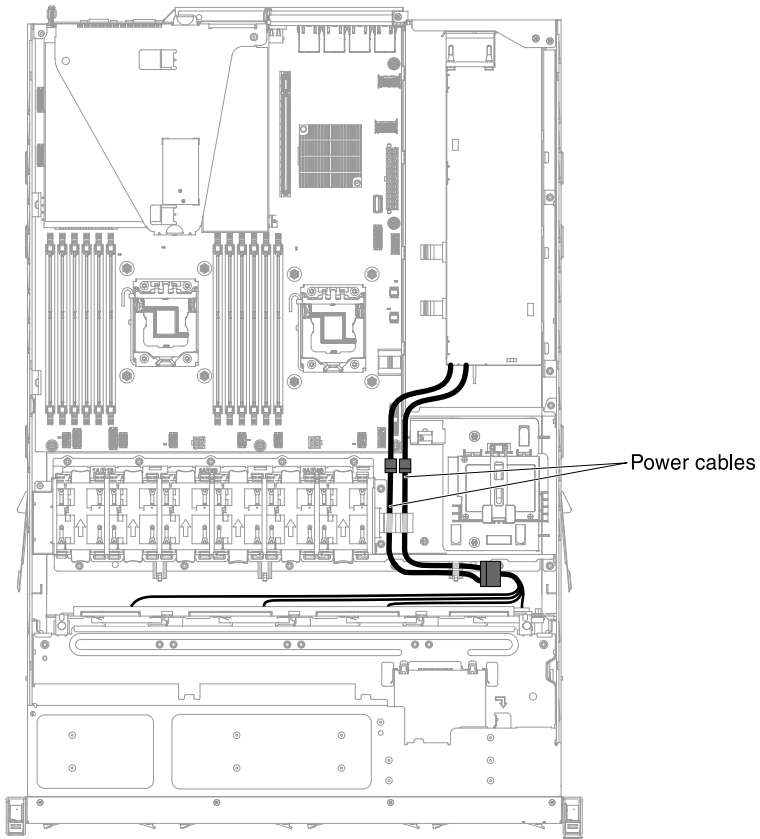


Figure 98. Cabling information for the power cable (fixed power model)

The following illustration shows the cabling information for the hardware RAID cable in the server:

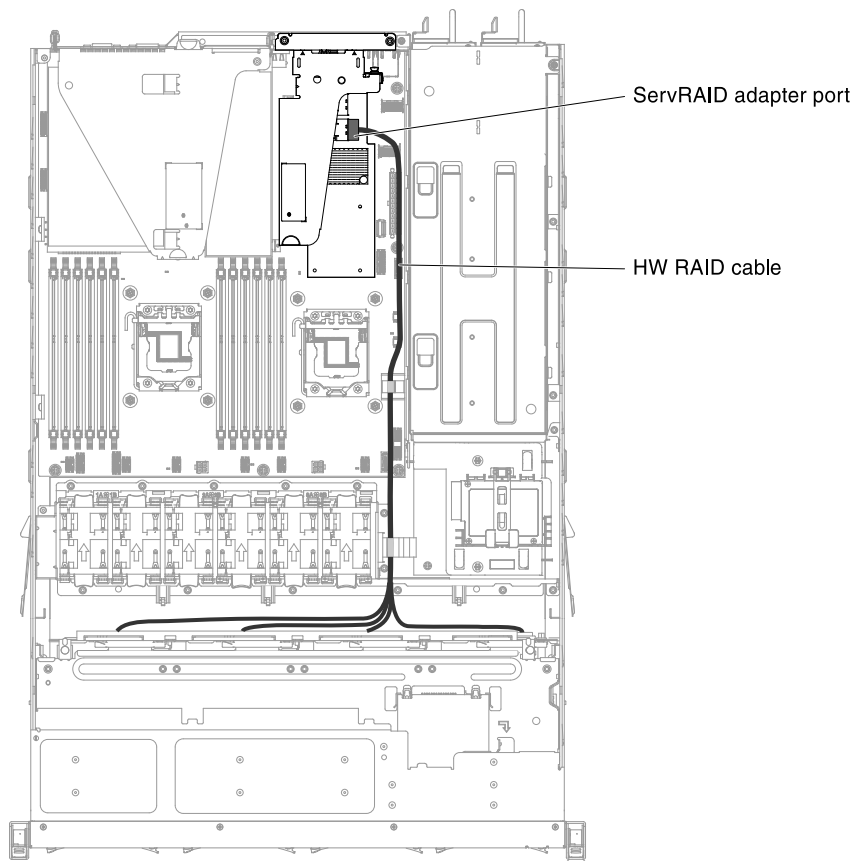


Figure 99. Cabling information for the hardware RAID cable

The following illustration shows the cabling information for the software RAID cable in the server:

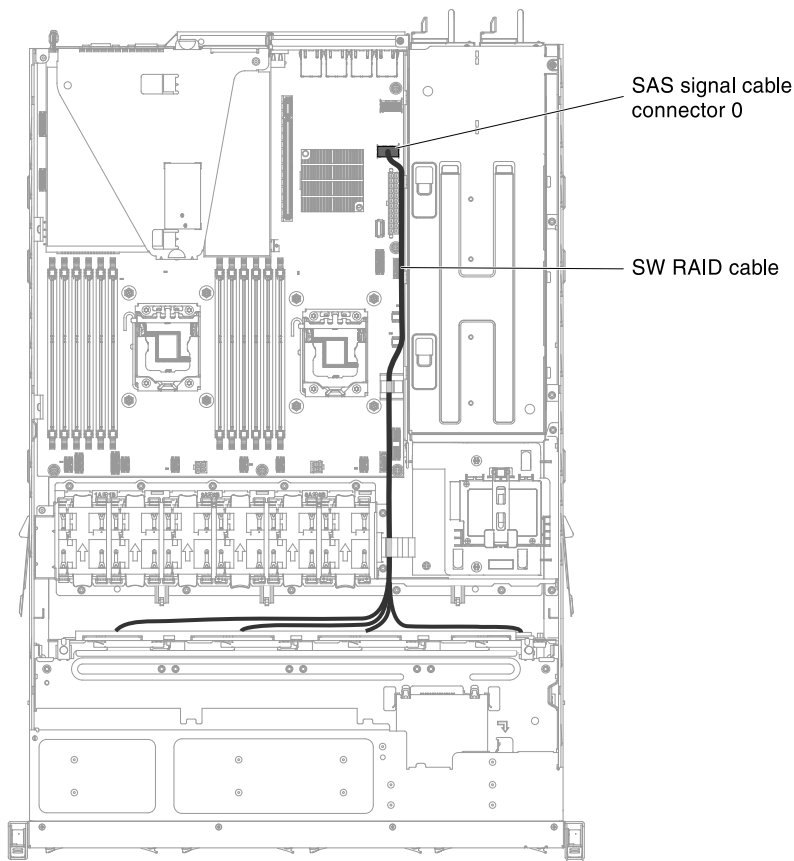


Figure 100. Cabling information for the software RAID cable

Removing and replacing structural parts

Use this information to remove and replace the structural parts.

Replacement of structural parts is your responsibility. If Lenovo installs a structural part at your request, you will be charged for the installation.

The illustrations in this document might differ slightly from your hardware.

Removing the server top cover

Use this information to remove the server top cover.

Attention: If you release the cover latch and remove the cover while the server is running, the server will lose power and turn off automatically. After you reinstall the cover, you can power-on the server again.

To remove the server top cover, complete the following steps:

- Step 1. Read the safety information that begins in [“Safety” on page v](#) and [“Installation guidelines” on page 33](#).
- Step 2. Turn off the server (see [“Turning off the server” on page 23](#)) and all attached peripheral devices. Disconnect all power cords; then, disconnect all external cables as necessary to replace the device.

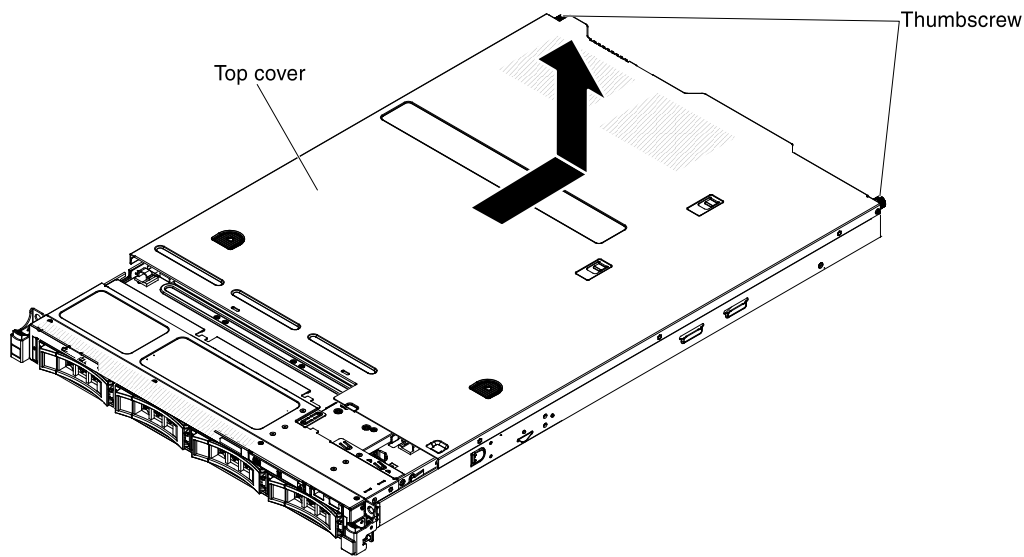
Step 3. If the server has been installed in a rack, press the two release latches on the front of the server and remove the server out of the rack enclosure.

Attention: Two or more people are required to remove the system from a rack cabinet.

Step 4. Loosen the two thumbscrews that secure the cover to the rear of the server.

Step 5. Press on the two blue grip points and slide the cover toward the rear; then, lift the cover off the server and set it aside.

Figure 101. Server top cover removal



Step 6. If you are instructed to return the cover, follow all packaging instructions, and use any packaging materials for shipping that are supplied to you.

Replacing the server top cover

Use this information to replace the cover.

To replace the server cover, complete the following steps:

Step 1. Make sure that all cables, adapters, and other components are installed and seated correctly and that you have not left loose tools or parts inside the server. Also, make sure that all internal cables are correctly routed.

Step 2. Align the cover over the server (toward the rear of the server) until the cover edges slip into position over the chassis.

Important: Before you slide the cover forward, make sure that all the tabs on the cover engage the chassis correctly. If all the tabs do not engage the chassis correctly, it will be hard to remove the cover later.

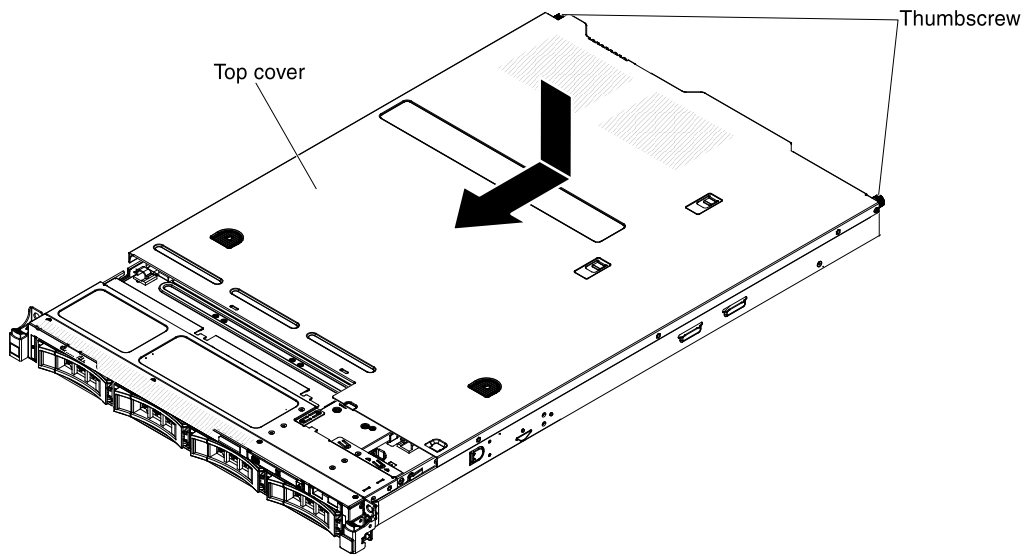


Figure 102. Cover installation

- Step 3. Slightly slide the cover toward the front of the server until the inset tabs start to engage on the server; then, tighten the thumbscrews to secure the cover to the chassis.
- Step 4. Install the server into the rack enclosure and push the server into the rack until it clicks into place.

Removing the bezel

Use this information to remove the bezel.

To remove the bezel, complete the following steps:

- Step 1. Read the safety information that begins in [“Safety” on page v](#) and [“Installation guidelines” on page 33](#).
- Step 2. Turn off the server (see [“Turning off the server” on page 23](#)) and all attached peripheral devices. Disconnect all power cords; then, disconnect all external cables as necessary to replace the device.
- Step 3. If the server has been installed in a rack, press the two release latches on the front of the server and remove the server out of the rack enclosure.

Attention: Two or more people are required to remove the system from a rack cabinet.
- Step 4. Remove the drives and filler panels from the drive bays (see [“Removing hot-swap drives” on page 204](#) or [“Removing a simple-swap SATA drive” on page 212](#)).
- Step 5. Remove the EIA quick latch first; then, remove the screws from the bezel.

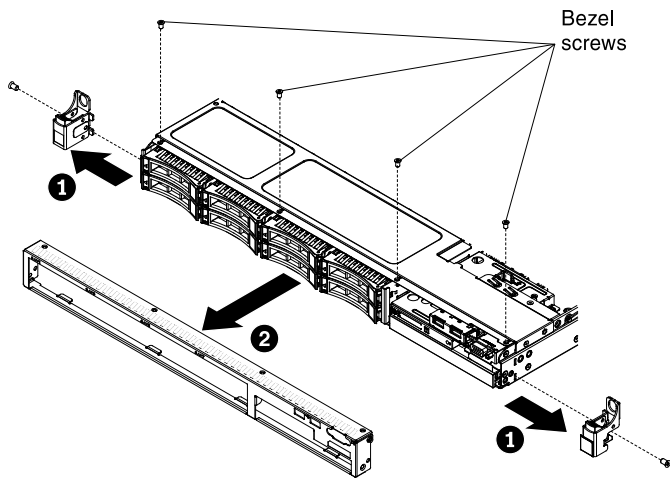


Figure 103. Bezel removal

- Step 6. Pull the top of the bezel out slightly; then, rotate it downward until the tabs on the bottom of the bezel disengages from the chassis and set it aside.
- Step 7. If you are instructed to return the front bezel, follow all packaging instructions, and use any packaging materials for shipping that are supplied to you.

Replacing the bezel

Use this information to install the bezel.

To install the bezel, complete the following steps:

- Step 1. Insert the tabs on the bottom of the bezel into the holes on the chassis.
- Step 2. Rotate the bezel upward to the server and reinstall the bezel screws. Then, install the EIA quick latch.

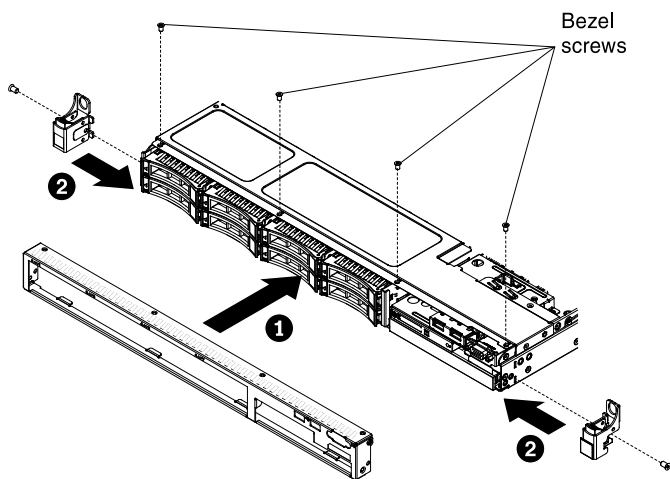


Figure 104. Bezel installation

- Step 3. Install the server into the rack enclosure and push the server into the rack until it clicks into place.
- Step 4. Reinstall the hard disk drives and drive bay filler panels into the drive bays.
- Step 5. Reconnect the power cords and any cables that you removed.

Step 6. Turn on the peripheral devices and the server.

Removing the air baffle

Use this information to remove the air baffle from the server.

To remove the air baffle, complete the following steps:

- Step 1. Read the safety information that begins in [“Safety” on page v](#) and [“Installation guidelines” on page 33](#).
- Step 2. Turn off the server (see [“Turning off the server” on page 23](#)) and all attached peripheral devices. Disconnect all power cords; then, disconnect all external cables from the server.
- Step 3. Remove the top cover (see [“Removing the server top cover” on page 35](#)).
- Step 4. Lift the air baffle from the server and set it aside.

Attention: For proper cooling and airflow, replace the air baffle before you turn on the server. Operating the server with the air baffle removed might damage server components.

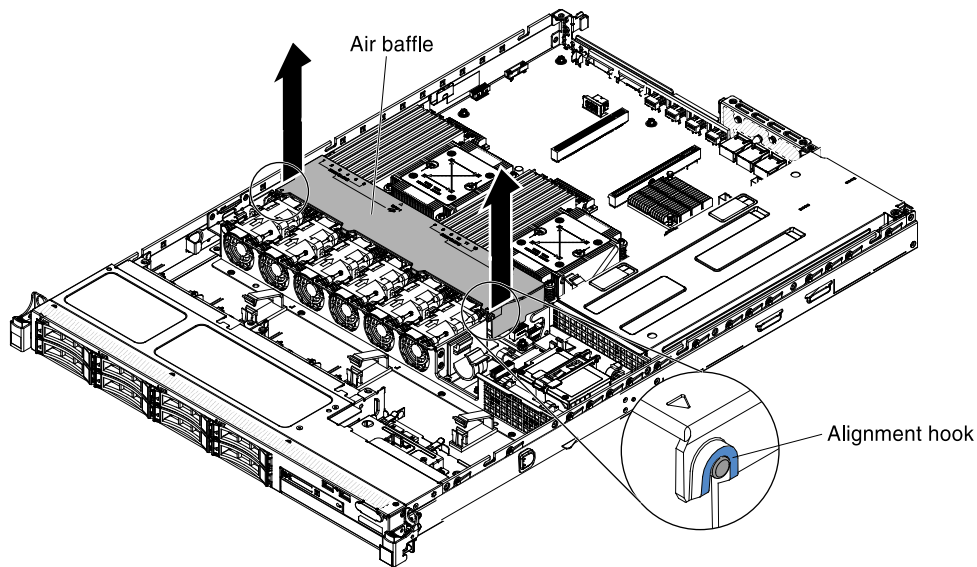


Figure 105. Air baffle removal

- Step 5. If you are instructed to return the air baffle, follow all packaging instructions, and use any packaging materials for shipping that are supplied to you.

Replacing the air baffle

Use this information to replace the air baffle.

To install the air baffle, complete the following steps:

- Step 1. Read the safety information that begins in [“Safety” on page v](#) and [“Installation guidelines” on page 33](#).
- Step 2. Align the tabs on the sides of the air baffle with the slots on the fan cage and lower the air baffle into the server.

Note: Make sure that no cable is pinched.

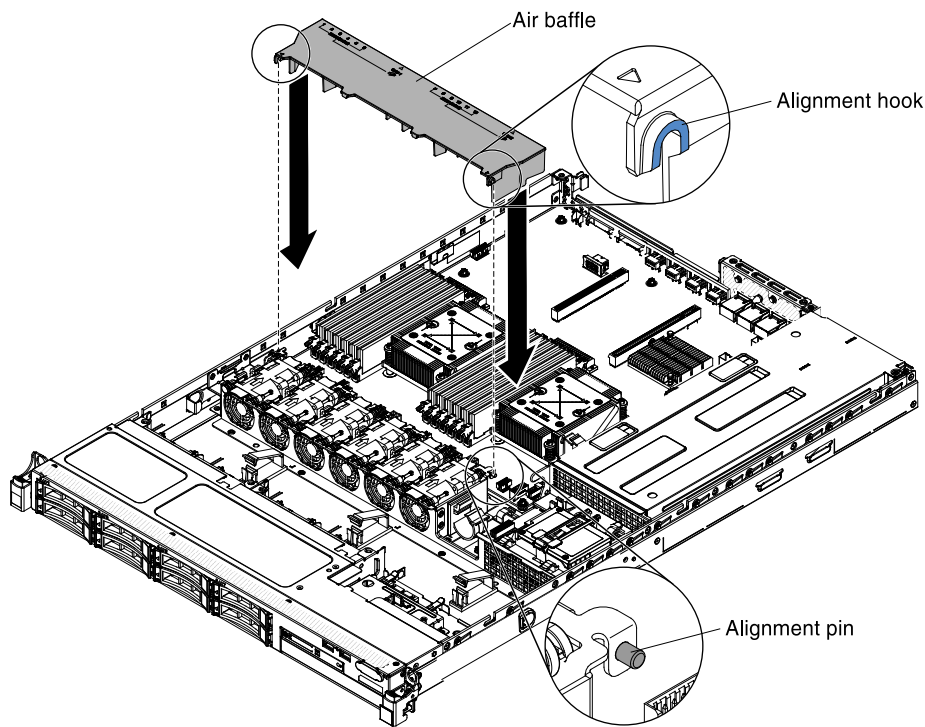


Figure 106. Air baffle installation

Removing and replacing Tier 1 CRUs

Replacement of Tier 1 CRUs is your responsibility. If Lenovo installs a Tier 1 CRU at your request, you will be charged for the installation.

The illustrations in this document might differ slightly from your hardware.

Removing an adapter

Use this information to remove an adapter.

To remove an adapter, complete the following steps:

- Step 1. Read the safety information that begins in [“Safety” on page v](#) and [“Installation guidelines” on page 33](#).
- Step 2. Turn off the server (see [“Turning off the server” on page 23](#)) and all attached peripheral devices. Disconnect all power cords; then, disconnect all external cables as necessary to replace the device.
- Step 3. Remove the server cover (see [“Removing the server top cover” on page 196](#)).
- Step 4. Remove the PCI riser-card assembly (see [“Removing a PCI riser-card assembly” on page 248](#)).
- Step 5. Disconnect any cables from the adapter.
- Step 6. Removing an adapter from PCI riser-card assembly 1:

Carefully grasp the adapter by its top edge or upper corners, and pull the adapter from the PCI riser-card assembly.

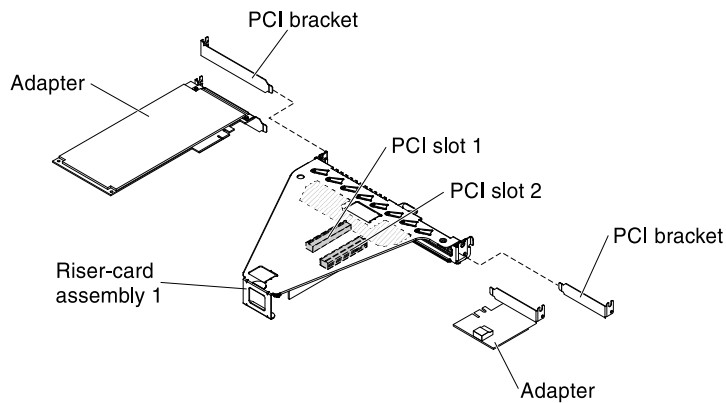


Figure 107. Adapter removal from PCI riser-card assembly 1

Step 7. Removing a RAID adapter from PCI riser-card assembly 2:

1. Pull the release pin to unlock the release latch.
2. Rotate the retention latch to the open position.
3. Carefully grasp the adapter by its top edge or upper corners, and pull the adapter from the PCI riser-card assembly.

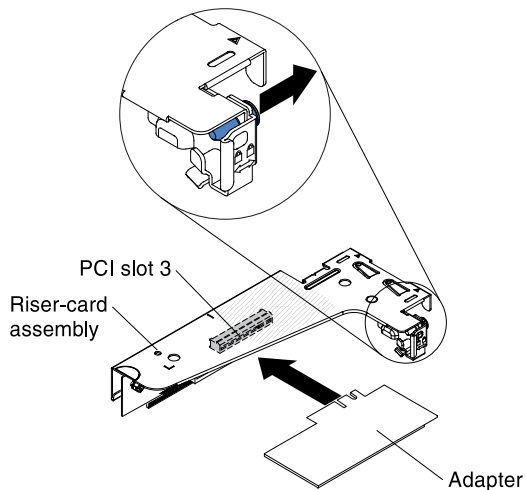


Figure 108. Adapter removal from PCI riser-card assembly 2

Step 8. Place the adapter on a flat, static-protective surface.

Step 9. If you are instructed to return the adapter, follow all packaging instructions, and use any packaging materials for shipping that are supplied to you.

Replacing an adapter

The following notes describe the types of adapters that the server supports and other information that you must consider when you install an adapter.

Notes:

- The instructions in this section apply to any supported adapter (for example, video graphics adapters or network adapters).

- See [“Installing an adapter” on page 49](#) for additional notes and information that you must consider when you install an adapter in the server.
- Do not set the maximum digital video adapter resolution above 1600 x 1200 at 75 Hz for an LCD monitor. This is the highest resolution that is supported for any add-on video adapter that you install in the server.
- Any high-definition video-out connector or stereo connector on any add-on video adapter is not supported

To replace an adapter, complete the following steps:

Attention: When you install an adapter, make sure that the adapter is correctly seated in the PCI riser-card assembly and that the PCI riser-card assembly is securely seated in the riser-card connector on the system board before you turn on the server. An incorrectly seated adapter might cause damage to the system board, the PCI riser-card assembly, or the adapter.

Note: If your adapter was previously configured, back up or record its configuration information, if possible, before replacing the adapter. See the documentation for your adapter for information and instructions.

- Step 1. Read the safety information that begins in [“Safety” on page v](#) and [“Installation guidelines” on page 33](#).
- Step 2. Follow the cabling instructions, if any come with the adapter. Route the adapter cables before you install the adapter.
- Step 3. Installing an adapter in PCI riser-card assembly 1:

Insert the adapter into the PCI riser-card assembly, aligning the edge connector on the adapter with the connector on the PCI riser-card assembly. Press the edge of the connector *firmly* into the PCI riser-card assembly. Make sure that the adapter snaps into the riser-card assembly securely.

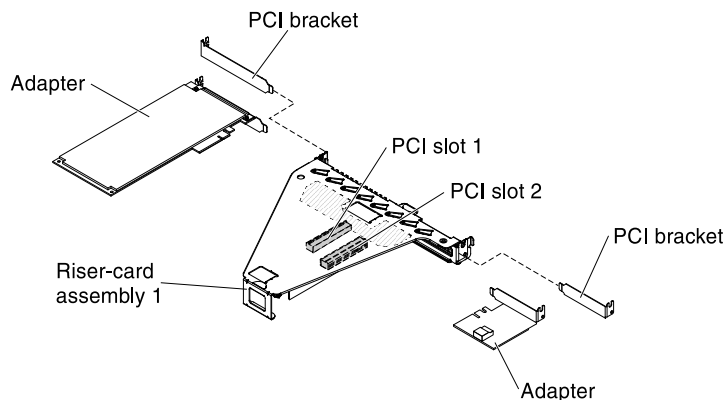


Figure 109. Adapter removal to PCI riser-card assembly 1

- Step 4. Installing a ServeRAID adapter in PCI riser-card assembly 2:
1. Insert the adapter into the riser-card assembly, aligning the edge connector on the adapter with the connector on the riser-card assembly. Press the edge of the connector *firmly* into the riser-card assembly. Make sure that the adapter snaps into the riser-card assembly securely.
 2. Rotate the retention latch to the close position. Make sure the retention latch engages the adapter securely; then, push in the release pin to lock the retention latch in place.

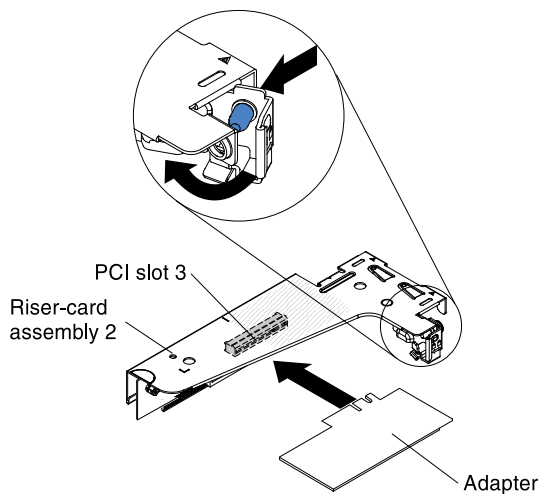


Figure 110. Adapter installation to PCI riser-card assembly 2

- Step 5. Install the PCI riser-card assembly in the server (see [“Replacing a PCI riser-card assembly” on page 249](#)).
- Step 6. Perform any configuration tasks that are required for the adapter.
- Step 7. Install the cover (see [“Replacing the server top cover” on page 197](#)).
- Step 8. Install the server in the rack cabinet (see the *Rack Installation Instructions* that come with the server for instructions).
- Step 9. Reconnect the power cord and any cables that you removed.
- Step 10. Turn on the peripheral devices and the server.
- Step 11. If you are replacing a ServeRAID adapter, import your RAID configuration to the replacement adapter as a foreign configuration. See the *ServeRAID-M Software User Guide* at <https://www-947.ibm.com/support/entry/portal/docdisplay?indocid=migr-5086126> for instructions.

Removing hot-swap drives

Use this information to remove a hot-swap hard disk drive.

Attention:

- To avoid damage to the drive connectors, make sure that the server cover is in place and fully closed whenever you install or remove a drive.
- To make sure that there is adequate system cooling, do not operate the server for more than 2 minutes without either a drive or a filler panel installed in each bay.

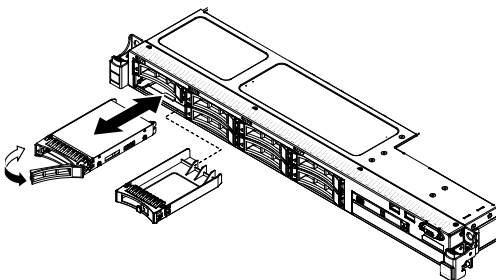


Figure 111. Hot-swap hard disk drive removal

To remove a hot-swap drive, complete the following steps:

- Step 1. Read the safety information that begins in [“Safety” on page v](#) and [“Installation guidelines” on page 33](#).
- Step 2. Press the release latch (orange) to unlock the drive handle.
- Step 3. Grasp the handle and pull the drive assembly out of the drive bay.
- Step 4. If you are instructed to return the drive assembly, follow all packaging instructions, and use any packaging materials for shipping that are supplied to you.

Installing hot-swap drives

Use this information to install a hot-swap hard disk drive.

Note: If you install only one drive, you must install it in drive bay 0.

To install a hot-swap SAS or SATA drive, complete the following steps:

- Step 1. Read the safety information that begins in [“Safety” on page v](#) and [“Installation guidelines” on page 33](#).
- Step 2. Touch the static-protective package that contains the drive to any unpainted metal surface on the server; then, remove the drive from the package and place it on a static-protective surface.
- Step 3. Installing a 3.5-inch hot-swap drive:

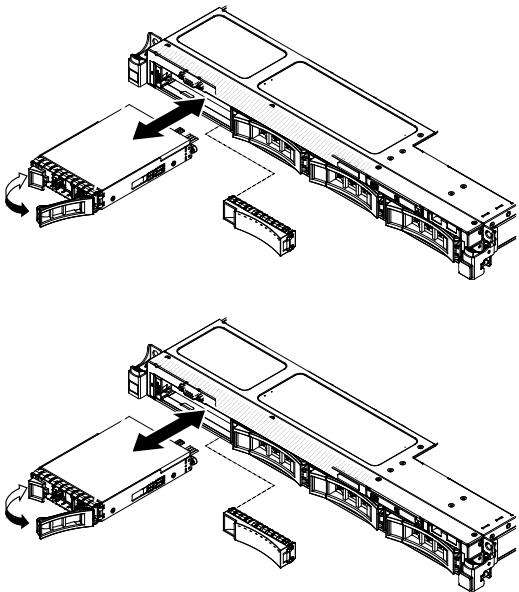


Figure 112. Hot-swap hard disk drive installation (3.5-inch)

- a. Remove the filler panel from the empty drive bay.
- b. Make sure that the drive-tray handle is in the open (unlocked) position.
- c. Align the drive assembly with the guide rails in the bay.
- d. Gently push the drive assembly into the drive bay until the drive stops.
- e. Rotate the drive-tray handle to the closed (locked) position.
- f. Skip to step 5.

Step 4. Installing a 2.5-inch hot-swap drive:

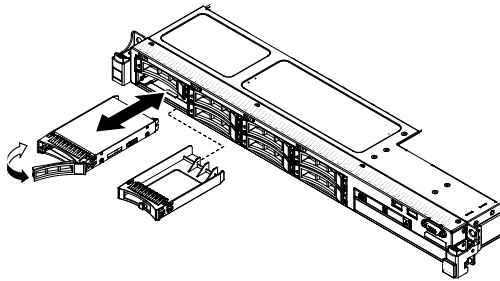


Figure 113. Hot-swap hard disk drive installation (2.5-inch)

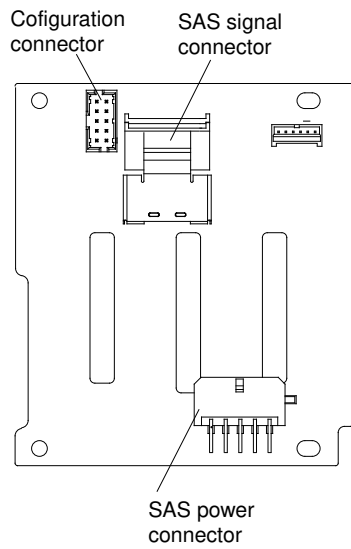
- a. Remove the filler panel from the empty drive bay.
 - b. Make sure that the drive-tray handle is in the open (unlocked) position.
 - c. Align the drive assembly with the guide rails in the bay.
 - d. Gently push the drive assembly into the drive bay until the drive stops.
 - e. Rotate the drive-tray handle to the closed (locked) position.
- Step 5. Check the drive status LED to verify that the drive is operating correctly. If the yellow drive status LED for a drive is lit continuously, that drive is faulty and must be replaced. If the green drive activity LED is flashing, the drive is being accessed.
- Note:** If the server is configured for RAID operation using a ServeRAID adapter, you might have to reconfigure your disk arrays after you install drives. See the ServeRAID adapter documentation for additional information about RAID operation and complete instructions for using the ServeRAID adapter.
- Step 6. If you are installing additional hot-swap drives, do so now.
- Step 7. Restart the server. Confirm that it starts correctly and recognizes the newly installed devices, and make sure that no error LEDs are lit.
- Step 8. Complete the additional steps in [“Instructions for Business Partners” on page 25](#).

For information on the supported combination of drive backplane configurations, see [“Supported SAS/SATA drive backplane configurations” on page 206](#).

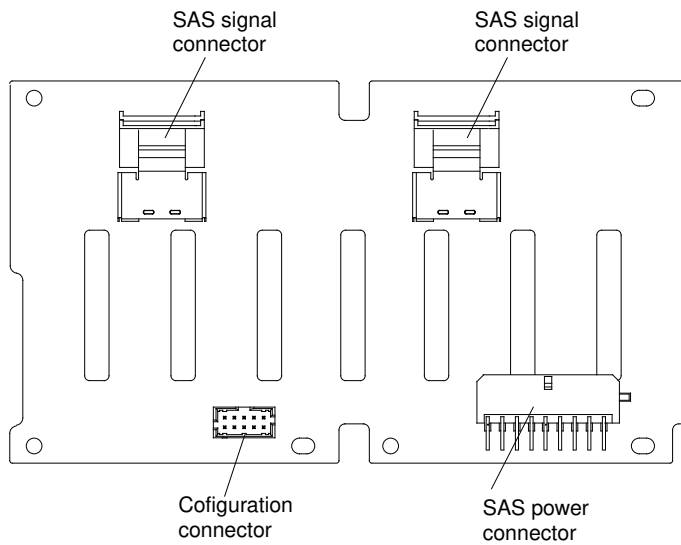
Supported SAS/SATA drive backplane configurations

The following are illustrations of the hot-swap drive backplanes that are supported on the server.

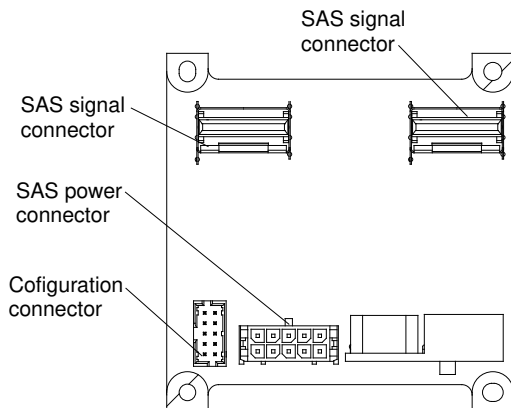
4x2.5-inch drive backplane rear view:



8x2.5-inch drive backplane rear view:



8x1.8-inch drive backplane rear view:



You can install a combination of 2.5-inch and 1.8-inch SAS/SATA drive backplanes in the server for the maximum drive capacity. However, any SAS/SATA adapter that you install in the server must be capable of supporting two internal, 4-lane SAS/SATA signal connectors. The following illustrations show the supported 2.5-inch and 1.8-inch SAS/SATA drive backplane configurations and drive IDs assigned by IMM:

Note: The drive bay IDs can vary, depending on the combination of the SAS/SATA drive backplanes installed in the server.

The following illustration shows the supported backplane configuration that you can use to support four drives:

This configuration consists of one 4x2.5-inch drive backplane and requires one SAS signal cable.

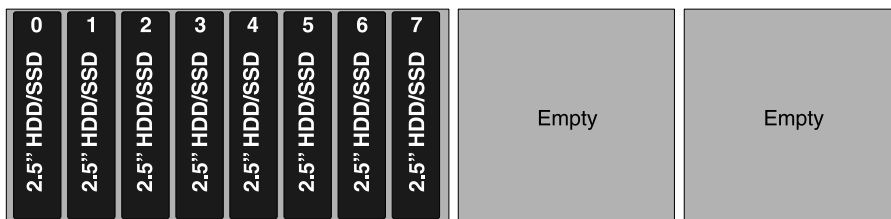


The following illustrations show the supported combination of drive backplane configurations that you can use to support eight drives:

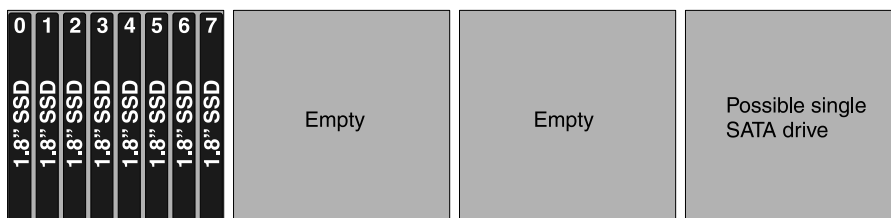
This configuration consists of two 4x2.5-inch drive backplanes and requires two SAS signal cables.



This configuration consists of one 8x2.5-inch drive backplane and requires two SAS signal cables.

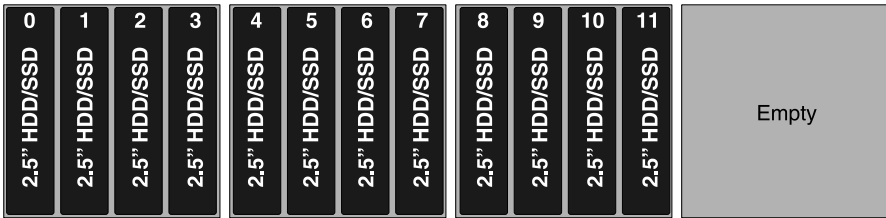


This configuration consists of one 8x1.8-inch drive backplane and requires two SAS signal cables. You can also install the optional simple-swap 2.5-inch SATA drive kit in this configuration.

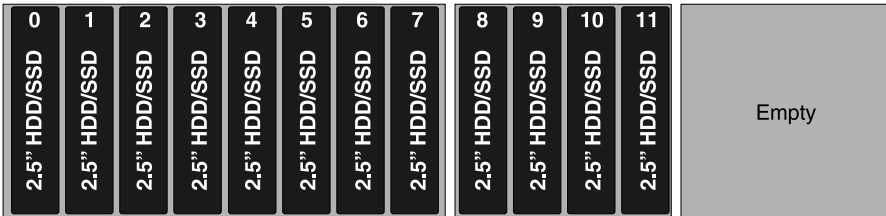


The following illustrations show the supported combination of drive backplane configurations that you can use to support 12 drives:

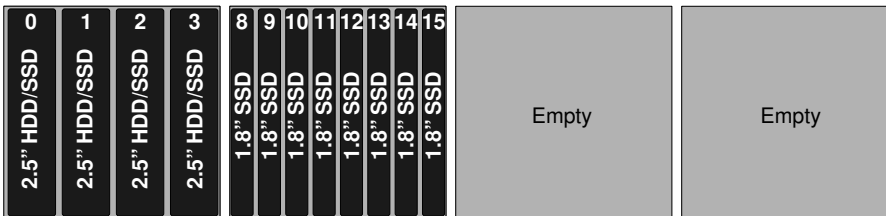
This configuration consists of three 4x2.5-inch drive backplanes and requires three SAS signal cables.



This configuration consists of one 8x2.5-inch drive backplane and one 4x2.5-inch drive backplane and requires three SAS signal cables.

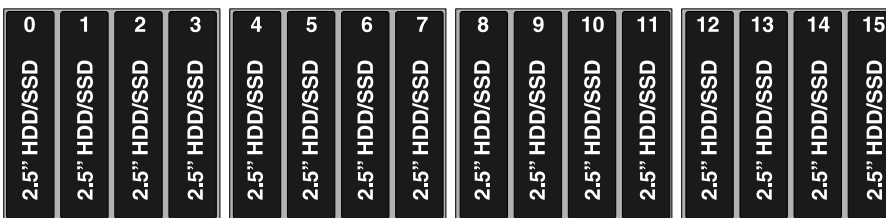


This configuration consists of one 4x2.5-inch drive backplane and one 8x1.8-inch drive backplane and requires three SAS signal cables.

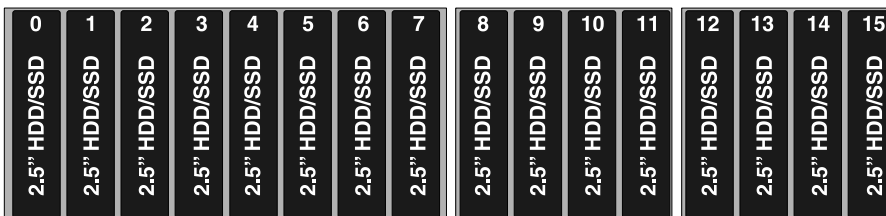


The following illustrations show the supported combination of drive backplane configurations that you can use to support 16 drives:

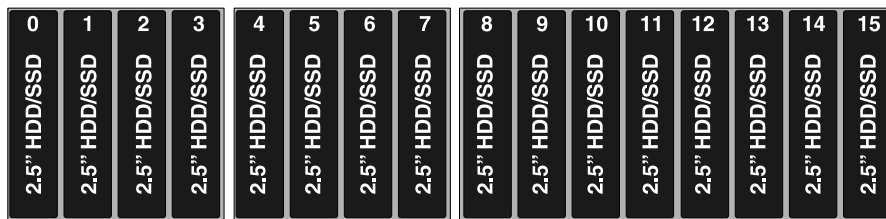
This configuration consists of four 4x2.5-inch drive backplanes and requires four SAS signal cables.



This configuration consists of one 8x2.5-inch drive backplane and two 4x2.5-inch drive backplanes and requires four SAS signal cables.



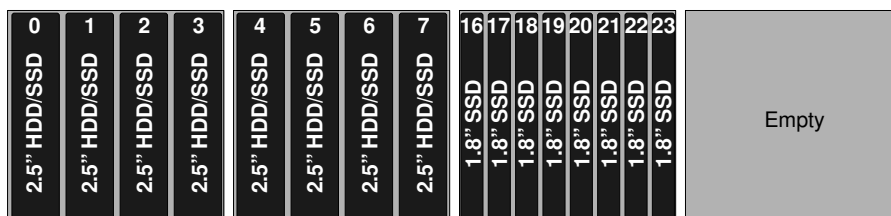
This configuration consists of two 4x2.5-inch drive backplanes and one 8x2.5-inch drive backplane and requires four SAS signal cables.



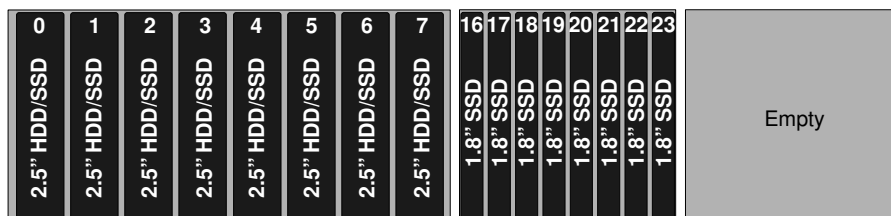
This configuration consists of two 8x2.5-inch drive backplanes and requires four SAS signal cables.



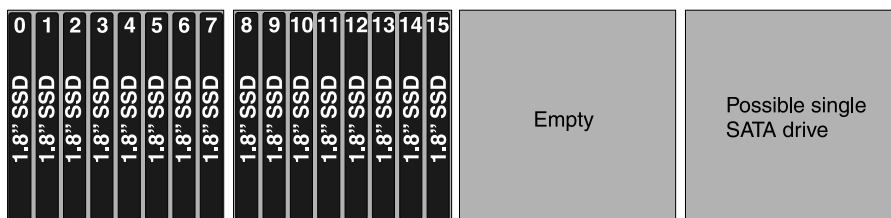
This configuration consists of two 4x2.5-inch drive backplanes and one 8x1.8-inch drive backplane and requires four SAS signal cables.



This configuration consists of one 8x2.5-inch drive backplane and one 8x1.8-inch drive backplane and requires four SAS signal cables.



This configuration consists of two 8x1.8-inch drive backplanes and requires four SAS signal cables. You can also install the optional simple-swap 2.5-inch SATA drive kit in this configuration.



The following illustrations show the supported combination of drive backplane configurations that you can use to support 20 drives:

This configuration consists of three 4x2.5-inch drive backplanes and one 8x1.8-inch drive backplane and requires five SAS signal cables.

0	2.5" HDD/SSD
1	2.5" HDD/SSD
2	2.5" HDD/SSD
3	2.5" HDD/SSD
4	2.5" HDD/SSD
5	2.5" HDD/SSD
6	2.5" HDD/SSD
7	2.5" HDD/SSD
8	2.5" HDD/SSD
9	2.5" HDD/SSD
10	2.5" HDD/SSD
11	2.5" HDD/SSD
24	1.8" SSD
25	1.8" SSD
26	1.8" SSD
27	1.8" SSD
28	1.8" SSD
29	1.8" SSD
30	1.8" SSD
31	1.8" SSD

This configuration consists of one 8x2.5-inch drive backplane, one 4x2.5-inch drive backplane, and one 8x1.8-inch drive backplane and requires five SAS signal cables.

0	2.5" HDD/SSD
1	2.5" HDD/SSD
2	2.5" HDD/SSD
3	2.5" HDD/SSD
4	2.5" HDD/SSD
5	2.5" HDD/SSD
6	2.5" HDD/SSD
7	2.5" HDD/SSD
8	2.5" HDD/SSD
9	2.5" HDD/SSD
10	2.5" HDD/SSD
11	2.5" HDD/SSD
24	1.8" SSD
25	1.8" SSD
26	1.8" SSD
27	1.8" SSD
28	1.8" SSD
29	1.8" SSD
30	1.8" SSD
31	1.8" SSD

This configuration consists of one 4x2.5-inch drive backplane and two 8x1.8-inch drive backplanes and requires five SAS signal cables.

0	2.5" HDD/SSD
1	2.5" HDD/SSD
2	2.5" HDD/SSD
3	2.5" HDD/SSD
8	1.8" SSD
9	1.8" SSD
10	1.8" SSD
11	1.8" SSD
12	1.8" SSD
13	1.8" SSD
14	1.8" SSD
15	1.8" SSD
16	1.8" SSD
17	1.8" SSD
18	1.8" SSD
19	1.8" SSD
20	1.8" SSD
21	1.8" SSD
22	1.8" SSD
23	1.8" SSD
Empty	

The following illustrations show the supported combination of drive backplane configurations that you can use to support 24 drives:

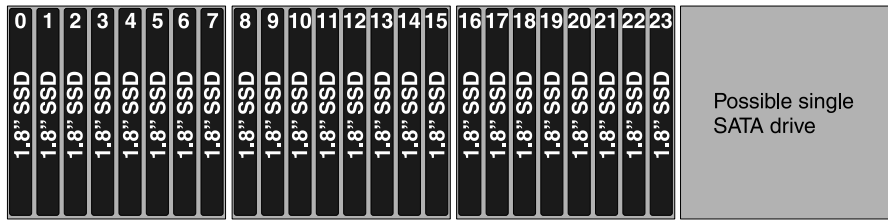
This configuration consists of two 4x2.5-inch drive backplanes and two 8x1.8-inch drive backplanes and requires six SAS signal cables.

0	2.5" HDD/SSD
1	2.5" HDD/SSD
2	2.5" HDD/SSD
3	2.5" HDD/SSD
4	2.5" HDD/SSD
5	2.5" HDD/SSD
6	2.5" HDD/SSD
7	2.5" HDD/SSD
16	1.8" SSD
17	1.8" SSD
18	1.8" SSD
19	1.8" SSD
20	1.8" SSD
21	1.8" SSD
22	1.8" SSD
23	1.8" SSD
24	1.8" SSD
25	1.8" SSD
26	1.8" SSD
27	1.8" SSD
28	1.8" SSD
29	1.8" SSD
30	1.8" SSD
31	1.8" SSD

This configuration consists of one 8x2.5-inch drive backplane and two 8x1.8-inch drive backplanes and requires six SAS signal cables.

0	2.5" HDD/SSD
1	2.5" HDD/SSD
2	2.5" HDD/SSD
3	2.5" HDD/SSD
4	2.5" HDD/SSD
5	2.5" HDD/SSD
6	2.5" HDD/SSD
7	2.5" HDD/SSD
16	1.8" SSD
17	1.8" SSD
18	1.8" SSD
19	1.8" SSD
20	1.8" SSD
21	1.8" SSD
22	1.8" SSD
23	1.8" SSD
24	1.8" SSD
25	1.8" SSD
26	1.8" SSD
27	1.8" SSD
28	1.8" SSD
29	1.8" SSD
30	1.8" SSD
31	1.8" SSD

This configuration consists of three 8x1.8-inch drive backplanes and requires six SAS signal cables. You can also install the optional simple-swap 2.5-inch SATA drive kit in this configuration.



IDs for hot-swap drives

The drive ID that is assigned to each drive is printed on the front of the server. The following illustrations show the locations of the IDs of the drives. The ID numbers and the drive bay numbers are the same.

The following illustration shows the drive bay IDs on a 3.5-inch drive server model.

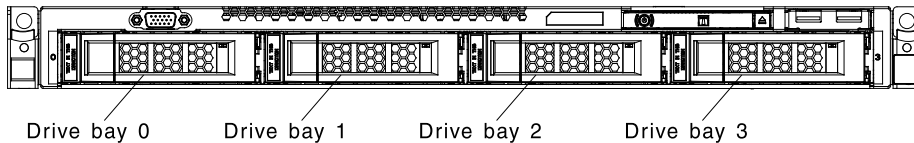


Figure 114. 3.5-inch hot-swap hard disk drive IDs

The following illustration shows the drive bay IDs on a 2.5-inch drive server model.

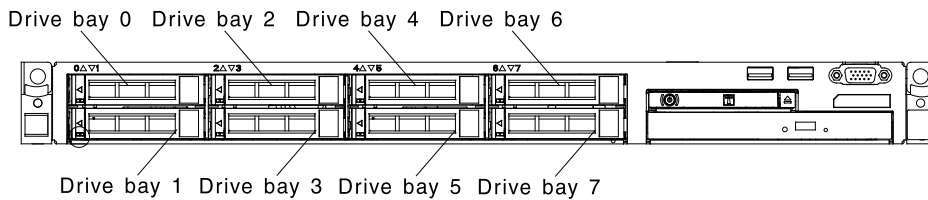


Figure 115. 2.5-inch hot-swap hard disk drive IDs

Removing a simple-swap SATA drive

Use this information to remove a simple-swap hard disk drive.

To remove a simple-swap SATA drive, complete the following steps:

- Step 1. Read the safety information that begins in [“Safety” on page v](#) and [“Installation guidelines” on page 33](#).
- Step 2. Turn off the server (see [“Turning off the server” on page 23](#)) and all attached peripheral devices. Disconnect all power cords; then, disconnect all external cables as necessary to replace the device.
- Step 3. Remove the filler panel from the front of the server.
- Step 4. Press the release latch and pull the drive out of the bay.

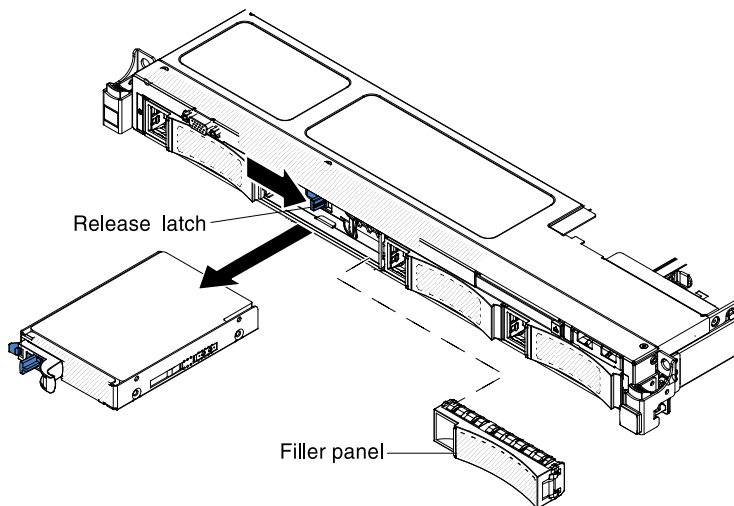


Figure 116. 3.5-inch simple-swap hard disk drive removal

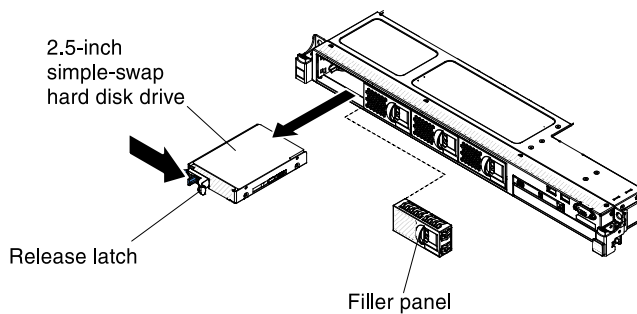


Figure 117. 2.5-inch simple-swap hard disk drive removal

Step 5. If you are instructed to return the drive, follow all packaging instructions, and use any packaging materials for shipping that are supplied to you.

Replacing a simple-swap SATA drive

Use this information to Replacing a simple-swap hard disk drive.

Note: You must turn off the server before installing simple-swap drives in the server.

To install a simple-swap SATA drive, complete the following steps:

- Step 1. Read the safety information that begins in [“Safety” on page v](#) and [“Installation guidelines” on page 33](#).
- Step 2. Touch the static-protective package that contains the new drive to any unpainted metal surface on the server; then, remove the drive from the package and place it on a static-protective surface.
- Step 3. Gently push the drive assembly into the drive bay until the drive clicks into place.

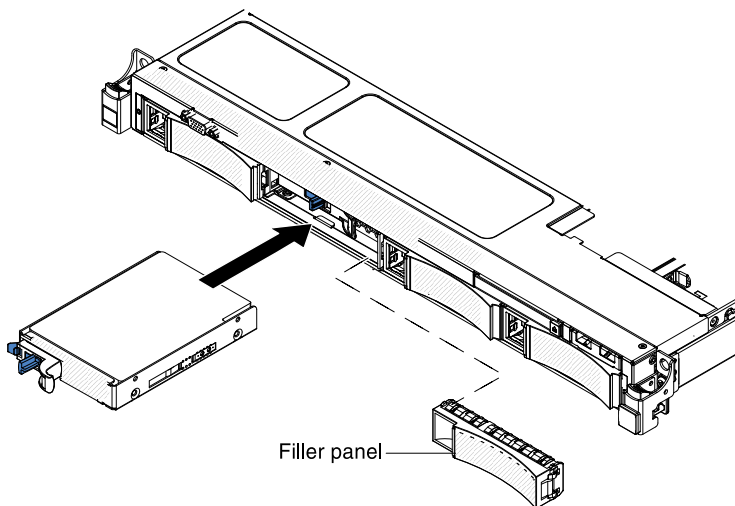


Figure 118. 3.5-inch simple-swap hard disk drive installation

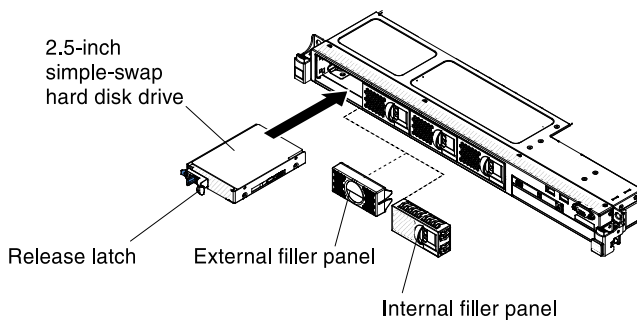


Figure 119. 2.5-inch simple-swap hard disk drive installation

- Step 4. Reinstall the filler panel that you removed
- Step 5. Turn on the peripheral devices and the server.

Removing a CD/DVD drive

Use this information to remove a DVD drive.

To remove a CD/DVD drive, complete the following steps:

- Step 1. Read the safety information that begins in [“Safety” on page v](#) and [“Installation guidelines” on page 33](#).
- Step 2. Turn off the server (see [“Turning off the server” on page 23](#)) and all attached peripheral devices. Disconnect all power cords; then, disconnect all external cables from the server.
- Step 3. Remove the top cover (see [“Removing the server top cover” on page 35](#)).
- Step 4. Locate the blue release tab on the rear of the drive bay; then, while you press the tab, push the CD/DVD drive toward the front of the server.

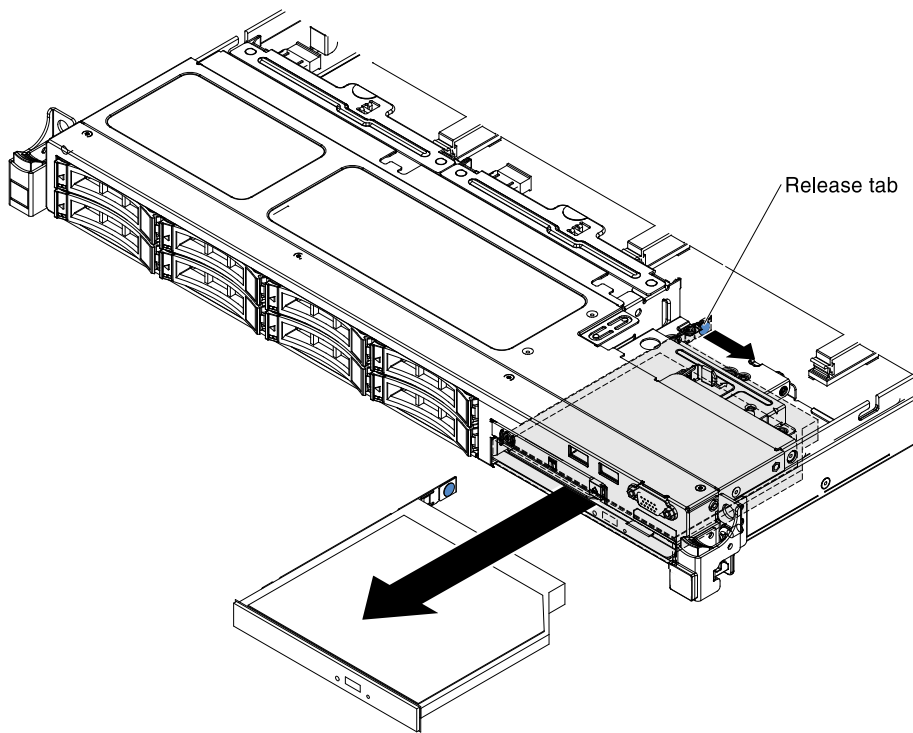


Figure 120. DVD drive removal

- Step 5. Remove the CD/DVD drive out of the bay and slide the drive-retention clip from the side of the drive. Save the clip to use when you install the replacement drive.

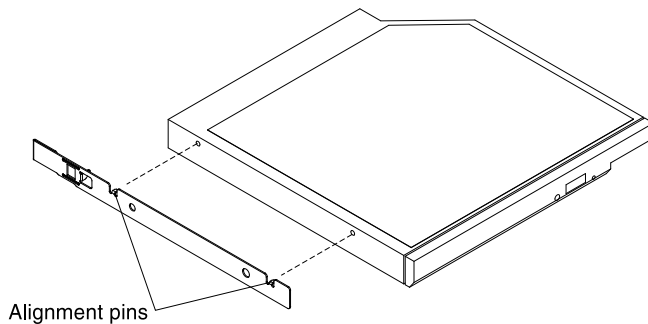


Figure 121. DVD drive retention clip removal

- Step 6. If you are instructed to return the CD/DVD drive, follow all packaging instructions, and use any packaging materials for shipping that are supplied to you.

Installing an optional CD/DVD drive

Use this information to install a DVD drive.

To install an optional CD/DVD drive, complete the following steps:

- Step 1. Read the safety information that begins in [“Safety” on page v](#) and [“Installation guidelines” on page 33](#).
- Step 2. Turn off the server (see [“Turning off the server” on page 23](#)) and all attached peripheral devices. Disconnect all power cords; then, disconnect all external cables from the server.

- Step 3. Remove the top cover (see [“Removing the server top cover”](#) on page 35).
- Step 4. Locate the blue release tab on the rear of the drive bay; then, while you press the tab, push the CD/DVD filler toward the front of the server.

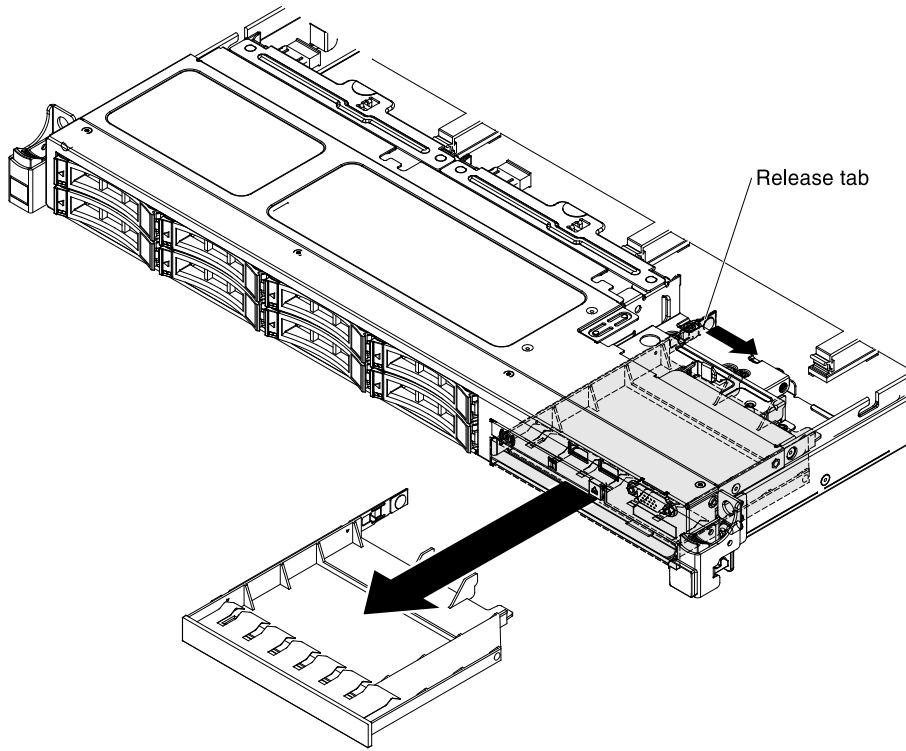


Figure 122. DVD drive filler panel removal

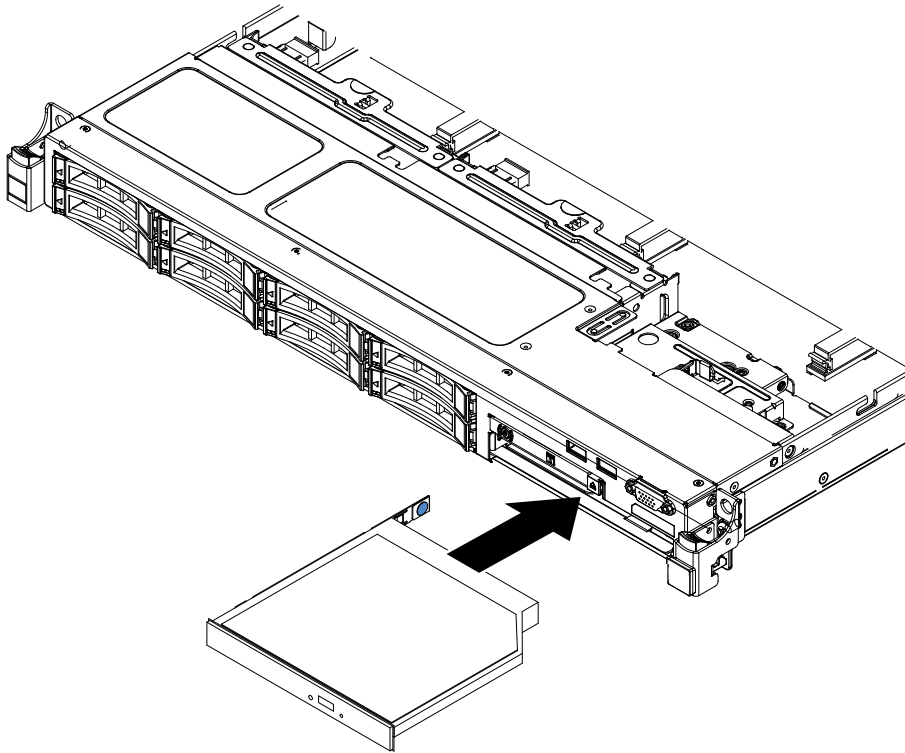


Figure 123. DVD drive installation

Step 5. Pull the CD/DVD drive filler out of the front of the server.

Step 6. Remove the retention clip from the side of the drive filler.

Note: If you are installing a drive that contains a laser, observe the following safety precaution.

Statement 3



CAUTION:

When laser products (such as CD-ROMs, DVD drives, fiber optic devices, or transmitters) are installed, note the following:

- Do not remove the covers. Removing the covers of the laser product could result in exposure to hazardous laser radiation. There are no serviceable parts inside the device.
- Use of controls or adjustments or performance of procedures other than those specified herein might result in hazardous radiation exposure.





**Some laser products contain an embedded Class 3A or Class 3B laser diode. Note the following.
Laser radiation when open. Do not stare into the beam, do not view directly with optical instruments, and avoid direct exposure to the beam.**



Class 1 Laser Product
Laser Klasse 1
Laser Klass 1
Luokan 1 Laserlaite
Appareil À Laser de Classe 1

- Step 7. Touch the static-protective package that contains the new optical drive to any unpainted metal surface on the server; then, remove the optical drive from the package and place it on a static-protective surface.
- Step 8. Attach the drive retention clip that you removed from the previous drive to the side of the new drive.

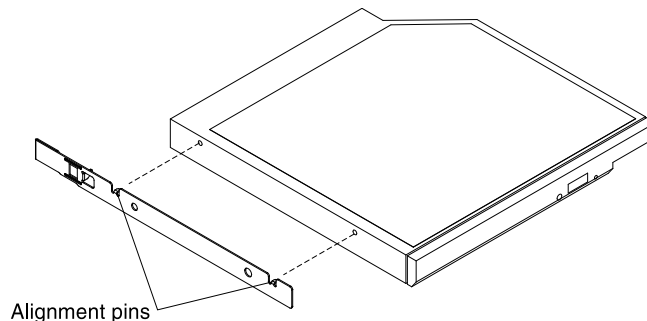


Figure 124. DVD drive retention clip installation

- Step 9. Align the drive in the drive bay and slide the drive into the CD/DVD drive bay until the drive clicks into place.
- Step 10. Reconnect the power cord and any cables that you removed.
- Step 11. Turn on the peripheral devices and the server.

Removing the CD/DVD cable

Use this information to remove a CD/DVD cable.

To remove the CD/DVD cable, complete the following steps:

- Step 1. Read the safety information that begins in [“Safety” on page v](#) and [“Installation guidelines” on page 33](#).
- Step 2. Turn off the server (see [“Turning off the server” on page 23](#)) and all attached peripheral devices. Disconnect all power cords; then, disconnect all external cables from the server.
- Step 3. Remove the top cover (see [“Removing the server top cover” on page 35](#)).
- Step 4. Remove the air baffle (see [“Removing the air baffle” on page 200](#)).

- Step 5. Remove the CD/DVD drive (see [“Removing a CD/DVD drive” on page 214](#)).
- Step 6. From the front of the server, grasp the cable connector latch and pull it up toward the rear of the server; then, slide the cable connector to the unlock position.

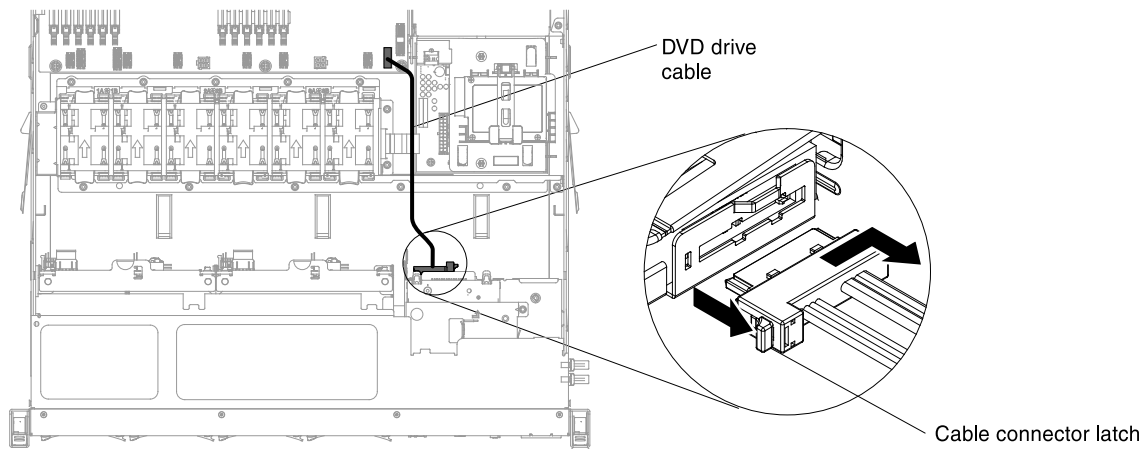


Figure 125. CD/DVD drive cable removing

- Step 7. Remove the cable from the optical drive cage connector.
- Step 8. Disconnect the other end of the CD/DVD cable from the connector on the system board.
- Step 9. Disengage the cable clips and remove the CD/DVD cable from the server.
- Step 10. If you are instructed to return the CD/DVD cable, follow all packaging instructions, and use any packaging materials for shipping that are supplied to you.

Replacing the CD/DVD cable

Use this information to install a CD/DVD cable.

To install the CD/DVD cable, complete the following cable:

- Step 1. Read the safety information that begins in [“Safety” on page v](#) and [“Installation guidelines” on page 33](#).
- Step 2. Align the cable connector with the connector on the rear of the optical drive cage and press the cable connector into the optical drive cage connector.
- Step 3. From the front of the server, grasp the cable connector latch and pull it up toward the rear of the server; then, slide the cable connector to the lock position.

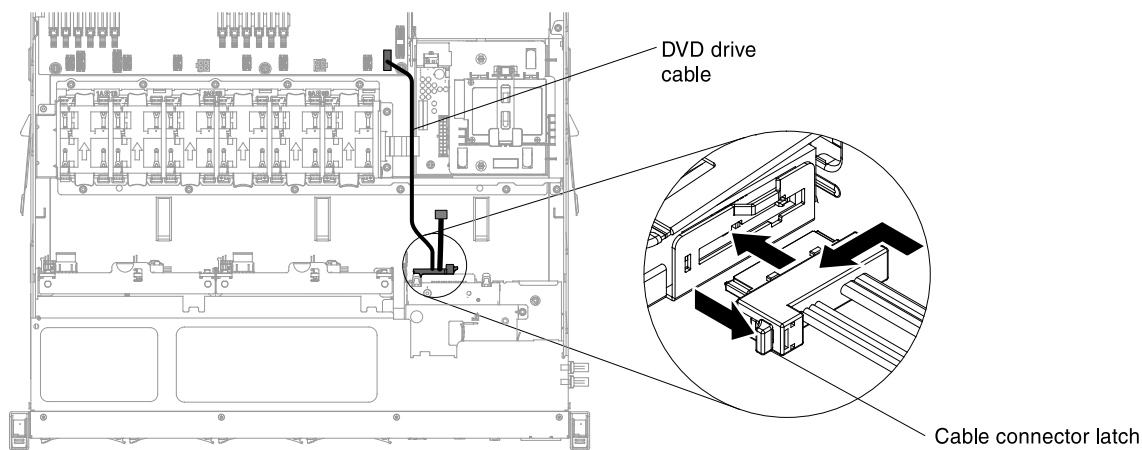


Figure 126. CD/DVD drive cable installation

- Step 4. Connect the other end of the CD/DVD drive cable to the connector on the system board. Secure the cable with the cable clips on the chassis.
- Step 5. Reinstall the CD/DVD drive (see [“Installing an optional CD/DVD drive” on page 215](#)).
- Step 6. Install the air baffle (see [“Replacing the air baffle” on page 200](#)).
- Step 7. Replace the cover (see [“Replacing the server top cover” on page 197](#)).
- Step 8. Install the server in the rack cabinet (see the *Rack Installation Instructions* that come with the server for instructions).
- Step 9. Reconnect the power cord and any cables that you removed.
- Step 10. Turn on the peripheral devices and the server.

Removing a fan

Use this information to remove a fan in the server.

Attention: To ensure proper server operation, replace a failed fan within 30 seconds.

To remove a fan, complete the following steps:

- Step 1. Read the safety information that begins in [“Safety” on page v](#) and [“Installation guidelines” on page 33](#).
- Step 2. Turn off the server (see [“Turning off the server” on page 23](#)) and all attached peripheral devices. Disconnect all power cords; then, disconnect all external cables from the server.
- Step 3. Remove the top cover (see [“Removing the server top cover” on page 35](#)).
- Step 4. Reconnect the power cord; then, turn on the server.

Attention: Operating the server for extended periods of time (more than 30 minutes) with the top cover removed might damage server components.

- Step 5. Determine which fan to replace by checking the LEDs on the system board (see [“System-board LEDs” on page 30](#)); a lit LED indicates the fan to replace.
- Step 6. Turn off the server; then, disconnect the power cord again.
- Step 7. Remove the air baffle (see [“Removing the air baffle” on page 200](#)).
- Step 8. Disconnect the fan power cable from the connector on the system board.
- Step 9. Grasp the top of the fan with your index finger and thumb and lift the fan out of the server.

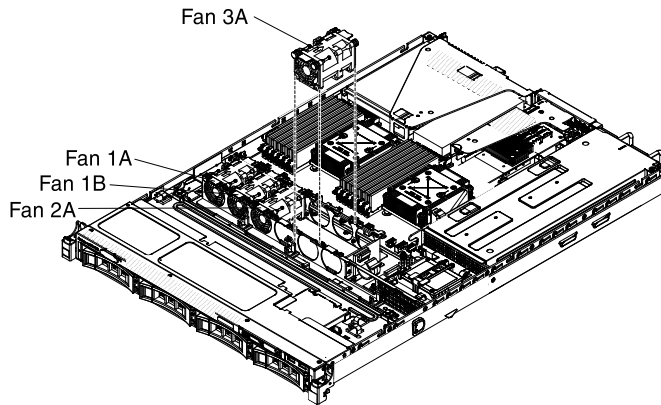


Figure 127. Fan removal

Attention: To ensure proper operation, replace a failed hot-swap fan within 30 seconds.

Step 10. If you are instructed to return the fan, follow all of the packaging instructions, and use any packaging materials for shipping that are supplied to you.

Replacing a fan

Use this information to replace a fan in the server.

The server comes standard with four speed-controlled cooling fans. You must install the fifth and sixth fan when you install the second microprocessor.

Attention: To ensure proper operation, replace a failed fan within 30 seconds.

To install or replace a fan, complete the following steps:

1. Read the safety information that begins in [“Safety” on page v](#) and [“Installation guidelines” on page 33](#).
2. Turn off the server (see [“Turning off the server” on page 23](#)) and all attached peripheral devices. Disconnect all power cords; then, disconnect all external cables from the server.
3. Touch the static-protective package that contains the new fan to any unpainted metal surface on the server. Then, remove the new fan from the package.
4. Orient the fan so that the air-flow arrow points to the rear of the server.

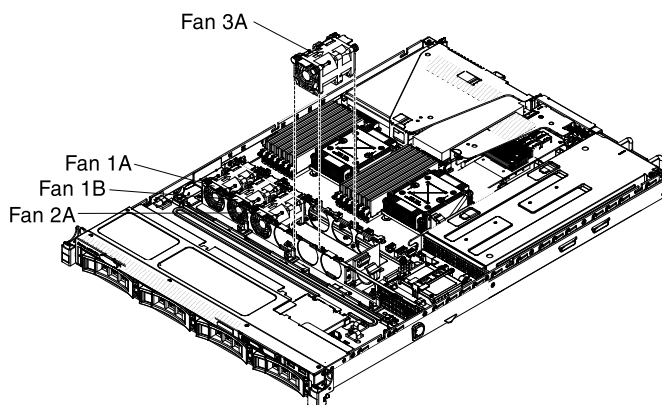


Figure 128. Fan installing

5. Lower the fan into the fan slot in the server and ensure that it is seated correctly.

6. Connect the fan power cable to the connector on the system board.
7. Install the air baffle (see [“Replacing the air baffle” on page 200](#)).
8. Install the cover (see [“Replacing the server top cover” on page 197](#)).
9. Reconnect the power cord and any cables that you removed.
10. Turn on the peripheral devices and the server.

Removing a memory module

Use this information to remove a memory module.

To remove a dual inline memory module (DIMM), complete the following steps:

- Step 1. Read the safety information that begins in [“Safety” on page v](#) and [“Installation guidelines” on page 33](#).
- Step 2. Turn off the server (see [“Turning off the server” on page 23](#)) and all attached peripheral devices. Disconnect all power cords; then, disconnect all external cables as necessary to replace the device.
- Step 3. Remove the top cover (see [“Removing the server top cover” on page 35](#)).
- Step 4. Remove the air baffle (see [“Removing the air baffle” on page 36](#)).
- Step 5. Carefully open the retaining clips on each end of the DIMM connector and remove the DIMM.

Attention: To avoid breaking the retaining clips or damaging the DIMM connectors, open and close the clips gently.

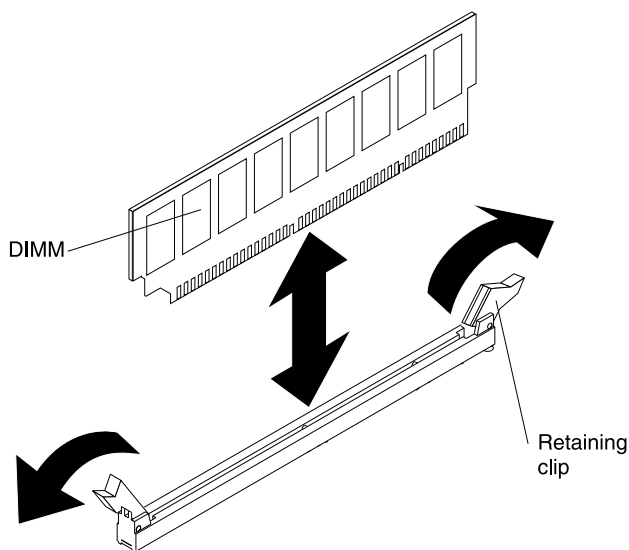


Figure 129. DIMM removal

- Step 6. If you are instructed to return the DIMM, follow all packaging instructions, and use any packaging materials for shipping that are supplied to you.

Replacing a memory module

The following notes describe the types of DIMMs that the server supports and other information that you must consider when you install DIMMs.

Notes:

- See “Installing a memory module” on page 37 for notes and information that you must consider when you install DIMMs.
- Confirm that the server supports the DIMM that you are installing, see <http://www.lenovo.com/serverproven/>.

The following illustration shows the location of the DIMM connectors on the system board.

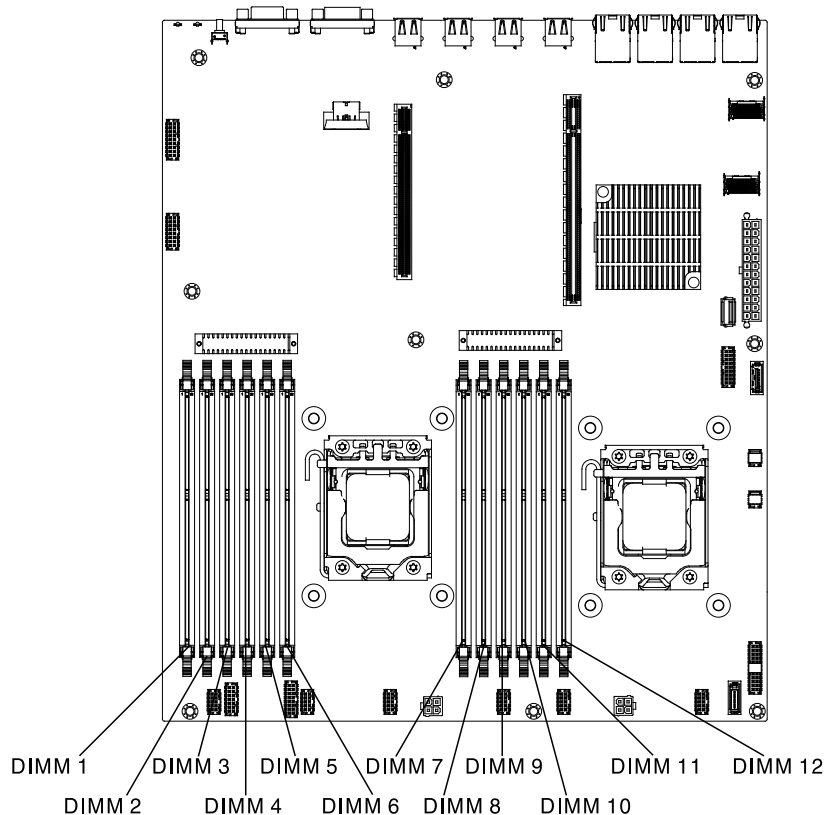


Figure 130. DIMM connectors location

To install a DIMM, complete the following steps:

- Step 1. Read the safety information that begins in “Safety” on page v and “Installation guidelines” on page 33.
- Step 2. Turn off the server (see “Turning off the server” on page 23) and all attached peripheral devices. Disconnect all power cords; then, disconnect all external cables as necessary to replace the device.
- Step 3. Remove the top cover (see “Removing the server top cover” on page 196).
- Step 4. Touch the static-protective package that contains the DIMM to any unpainted metal surface on the outside of the server. Then, remove the DIMM from the package.
- Step 5. Open the retaining clip on each end of the DIMM connector.

Attention: To avoid breaking the retaining clips or damaging the DIMM connectors, open and close the clips gently.

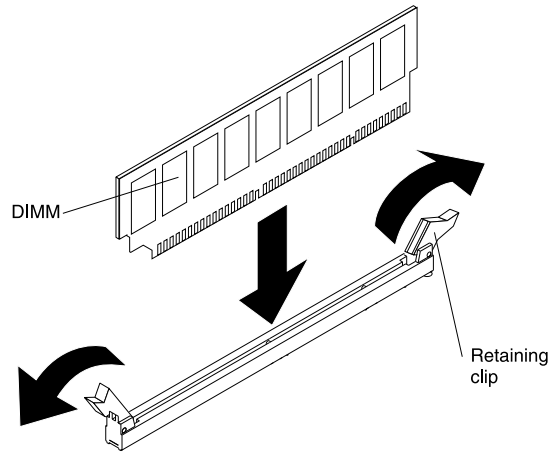


Figure 131. DIMM installation

- Step 6. Turn the DIMM so that the DIMM keys align correctly with the connector.
- Step 7. Insert the DIMM into the connector by aligning the edges of the DIMM with the slots at the ends of the DIMM connector (see [“System-board optional device connectors”](#) on page 31 for the locations of the DIMM connectors).
- Step 8. Firmly press the DIMM straight down into the connector by applying pressure on both ends of the DIMM simultaneously. The retaining clips snap into the locked position when the DIMM is firmly seated in the connector.

Note: If there is a gap between the DIMM and the retaining clips, the DIMM has not been correctly inserted; open the retaining clips, remove the DIMM, and then reinsert it.

- Step 9. Reconnect the power cord and any cables that you removed.
- Step 10. Install the air baffle (see [“Replacing the air baffle”](#) on page 200).
- Step 11. Replace the cover (see [“Replacing the server top cover”](#) on page 197).
- Step 12. Install the server in the rack cabinet (see the *Rack Installation Instructions* that come with the server for instructions).
- Step 13. Reconnect the power cord and any cables that you removed.
- Step 14. Turn on the peripheral devices and the server.

Removing a ServeRAID Controller

Use this information to remove an optional ServeRAID Controller.

To remove a ServeRAID adapter, complete the following steps:

Note: When the ServeRAID adapter is removed, software RAID will not be supported. This system does not support downgrade software RAID function from hardware RAID configuration.

- Step 1. Read the safety information that begins in [“Safety”](#) on page v and [“Installation guidelines”](#) on page 33.
- Step 2. Turn off the server (see [“Turning off the server”](#) on page 23) and all attached peripheral devices. Disconnect all power cords; then, disconnect all external cables as necessary to replace the device.
- Step 3. Remove the server cover (see [“Removing the server top cover”](#) on page 196).
- Step 4. Remove PCI riser-card assembly 2 (see [“Removing a PCI riser-card assembly”](#) on page 248).

- Step 5. Disconnect the cables to the ServeRAID adapter.
- Step 6. Pull the release pin to unlock the retention latch; then rotate the retention latch to the open position.
- Step 7. Carefully grasp the ServeRAID adapter by the edge and pull it out of the PCI riser-card assembly.

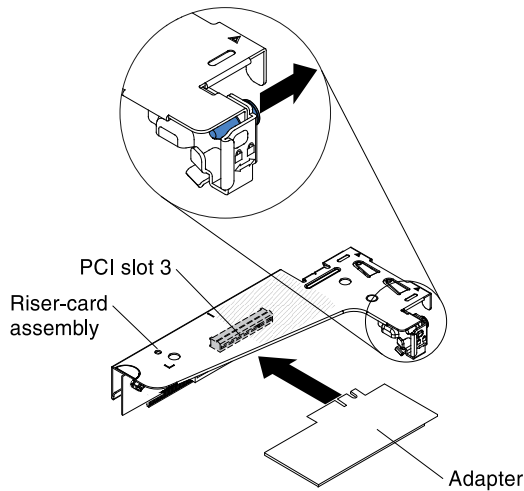


Figure 132. ServeRAID adapter removal

- Step 8. If you are instructed to return the adapter, follow all packaging instructions, and use any packaging materials for shipping that are supplied to you.

Replacing an optional ServeRAID Controller

Use this information to Replace an optional ServeRAID Controller.

You can purchase an optional ServeRAID SAS/SATA controller that provides additional RAID feature support. For configuration information, see the ServeRAID documentation at <http://www.ibm.com/support/mysupport/>.

Attention: Some cluster solutions require specific code levels or coordinated code updates. If the device is part of a cluster solution, verify that the latest level of code is supported for the cluster solution before you update the code.

Notes:

- You must install a ServeRAID adapter on PCI riser-card assembly 2.
- When you install a ServeRAID adapter that has a RAID adapter battery in the server, you must install the battery remotely in the remote battery tray (see “[Installing a RAID adapter battery remotely in the server](#)” on page 69).
- The RAID link function is only available for system boards that support Intel Xeon Processor E5-2600 V2 series. The supported PCI slot for the RAID link function is slot 3. However, please note that when installing RAID controller M5120, it can only be installed in slot 1 and 2.

To install a ServeRAID adapter, complete the following steps:

Note: If possible, back up or record your RAID configuration information before replacing the adapter. See the documentation for your RAID adapter for information and instructions. Documentation for ServeRAID adapters can be downloaded from <http://www.lenovo.com/support>.

- Step 1. Read the safety information that begins in “[Safety](#)” on page v and “[Installation guidelines](#)” on page 33.
- Step 2. Touch the static-protective package that contains the new ServeRAID adapter to any unpainted surface on the outside of the server; then, grasp the adapter by the top edge or upper corners of the adapter and remove it from the package.
- Step 3. Align the ServeRAID adapter so that the keys align correctly with the connector on the PCI riser-card assembly.
- Step 4. Insert the ServeRAID adapter into the connector on the riser-card until it is firmly seated.

Attention: Incomplete insertion might cause damage to the server or the adapter.

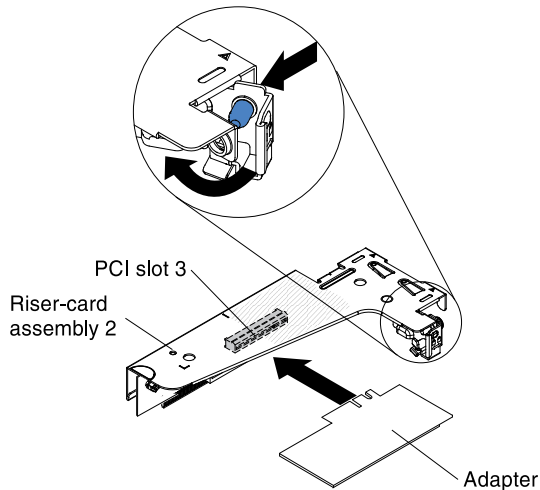


Figure 133. ServeRAID adapter installation

- Step 5. Rotate the retention latch to the closed position, making sure the retention latch engages the ServeRAID adapter. Then, push in the release pin to lock the retention latch in place.
- Step 6. Reconnect cables to the adapter. Be sure to route the signal cables as shown in the following illustration. Secure the cables with any cable clips on the system board so that they do not get in the way or get damaged.
- Step 7. Reinstall the PCI riser-card assembly (see “[Replacing a PCI riser-card assembly](#)” on page 76).
- Step 8. Replace the cover (see “[Replacing the server top cover](#)” on page 197).
- Step 9. Reconnect the power cord and any cables that you removed.
- Step 10. Turn on the peripheral devices and the server.
- Step 11. Import your RAID configuration to the replacement ServeRAID adapter as a foreign configuration. See the *ServeRAID-M Software User Guide* at <https://www-947.ibm.com/support/entry/portal/docdisplay?indocid=migr-5086126> for instructions.

Removing a remotely installed RAID adapter battery

Use this information to remove a RAID adapter battery remotely in the server.

To remove the RAID adapter battery from the RAID battery tray, complete the following steps:

- Step 1. Read the safety information that begins in “[Safety](#)” on page v and “[Installation guidelines](#)” on page 33.

- Step 2. Turn off the server (see [“Turning off the server” on page 23](#)) and all attached peripheral devices. Disconnect all power cords; then, disconnect all external cables as necessary to replace the device.
- Step 3. Remove the server cover (see [“Removing the server top cover” on page 196](#)).
- Step 4. Remove PCI riser-card assembly 2 (see [“Removing a PCI riser-card assembly” on page 248](#)).
- Step 5. From the top of safety cover, press the release latch to open the battery tray cover and press the release tab to open the retention clip that holds the battery in place.

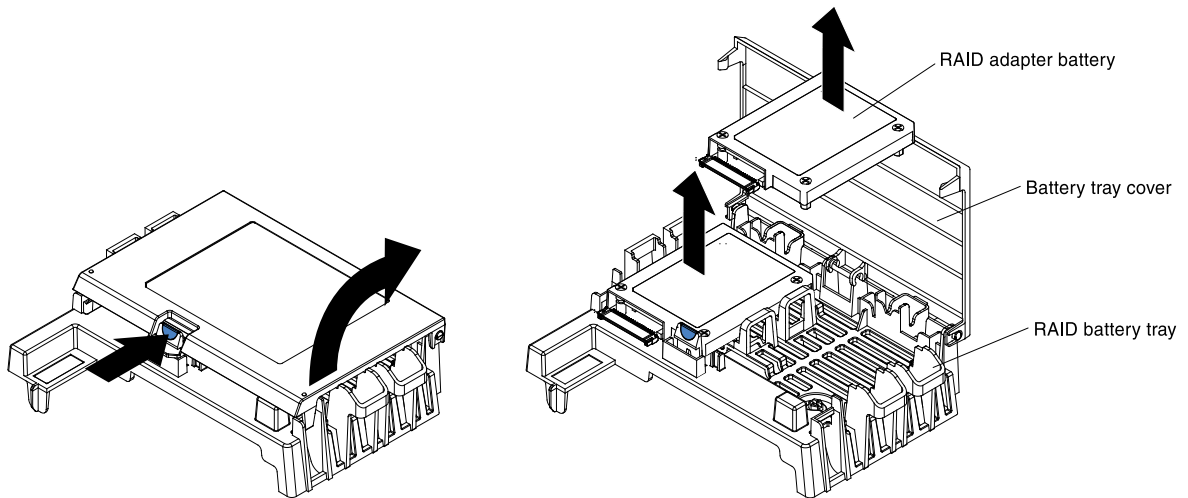


Figure 134. RAID adapter battery removal

- Step 6. Lift the battery from the RAID battery tray.
- Step 7. Disconnect the remote battery cable from the remote battery cable connector to the ServeRAID adapter.

If you are instructed to return the RAID adapter battery, follow all packaging instructions, and use any packaging materials for shipping that are supplied to you.

Replacing a RAID adapter battery remotely in the server

Use this information to install a RAID adapter battery remotely in the server.

When you install any ServeRAID adapter in the server that come with a RAID adapter battery, the battery must be installed remotely to prevent the battery from overheating. The battery must be installed only in the RAID battery tray on top of the power safety cover.

To install the RAID adapter battery in the RAID battery tray, complete the following steps:

- Step 1. Read the safety information that begins in [“Safety” on page v](#) and [“Installation guidelines” on page 33](#).
- Step 2. Install the battery in the RAID battery tray:

Note: You should always install the first RAID battery (marked as “1” in the graphic) on the RAID battery tray.

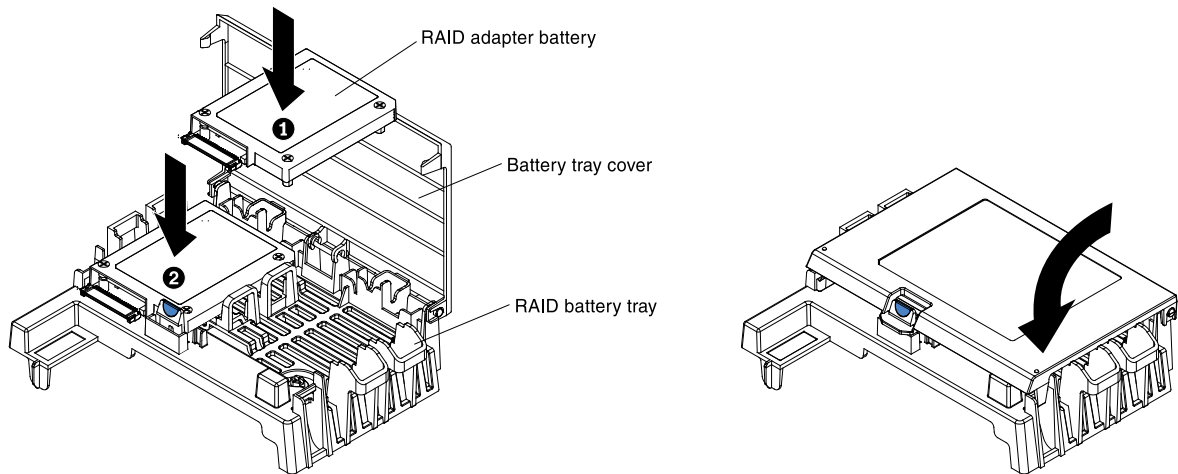


Figure 135. RAID adapter battery installation

- a. Orient the battery as shown in the following illustration; then, lower the battery into the RAID battery tray. If the battery comes with a battery carrier, ensure that battery carrier posts align with the rings on the battery mounting slot so that the battery carrier is secure in the slot.

Note: The positioning of the remote battery depends on the type of remote battery that you install.

- b. Rotate the retention clip to the close position and press down on the battery tray cover until it snaps in place to hold the battery in place.

Step 3. Connect the remote battery cable to the remote battery cable connector to the ServeRAID adapter. Route the remote battery cable in the server as shown in the following illustration.

Attention: Make sure that the cable is not pinched and does not cover any connectors or obstruct any components on the system board.

Step 4. Reinstall the PCI riser-card assembly (see [“Replacing a PCI riser-card assembly” on page 76](#)).

Step 5. Replace the cover (see [“Replacing the server top cover” on page 197](#)).

Step 6. Reconnect the power cord and any cables that you removed.

Step 7. Turn on the peripheral devices and the server.

Removing a USB embedded hypervisor flash device

Use this information to remove a USB embedded hypervisor flash device.

To remove a hypervisor flash device, complete the following steps:

Step 1. Read the safety information that begins in [“Safety” on page v](#) and [“Installation guidelines” on page 33](#).

Step 2. Turn off the server (see [“Turning off the server” on page 23](#)) and all attached peripheral devices. Disconnect all power cords; then, disconnect all external cables as necessary to replace the device.

Step 3. Remove the top cover (see [“Removing the server top cover” on page 35](#)).

Step 4. Remove PCI riser-card assembly 1 (see [“Removing a PCI riser-card assembly” on page 248](#)).

Step 5. Locate the USB embedded hypervisor flash device connector on the system board.

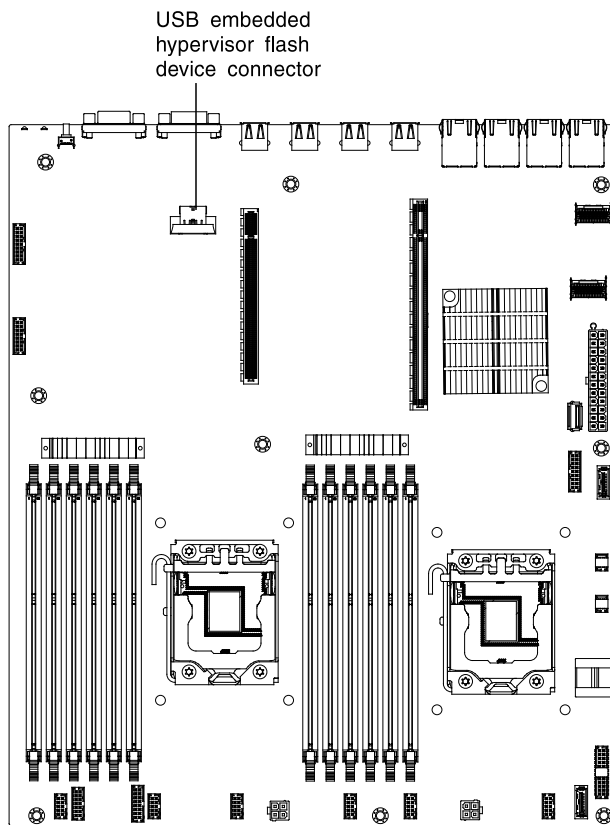


Figure 136. Location of USB hypervisor flash device connector

- Step 6. Slide the lockbar on the flash device connector to the unlocked position and pull the USB flash device out of the connector.

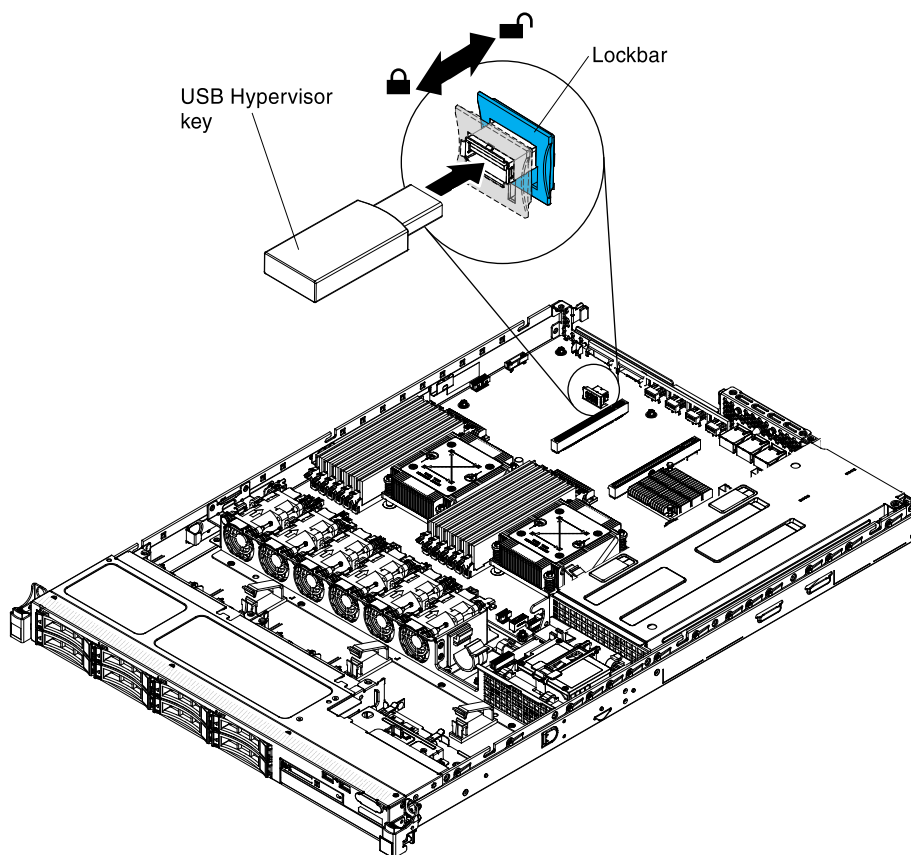


Figure 137. USB hypervisor flash device removal

- Step 7. If you are instructed to return the flash device, follow all packaging instructions, and use any packaging materials for shipping that are supplied to you.

Replacing a USB embedded hypervisor flash device

Use this information to install a USB embedded hypervisor flash device.

To install a hypervisor flash device, complete the following steps:

- Step 1. Read the safety information that begins in [“Safety” on page v](#) and [“Installation guidelines” on page 33](#).
- Step 2. Align the USB flash device with the connector on the system board and push it into the connector until it is firmly seated.
- Step 3. Slide the lockbar toward the riser-card assembly to the locked position until it is seated firmly.

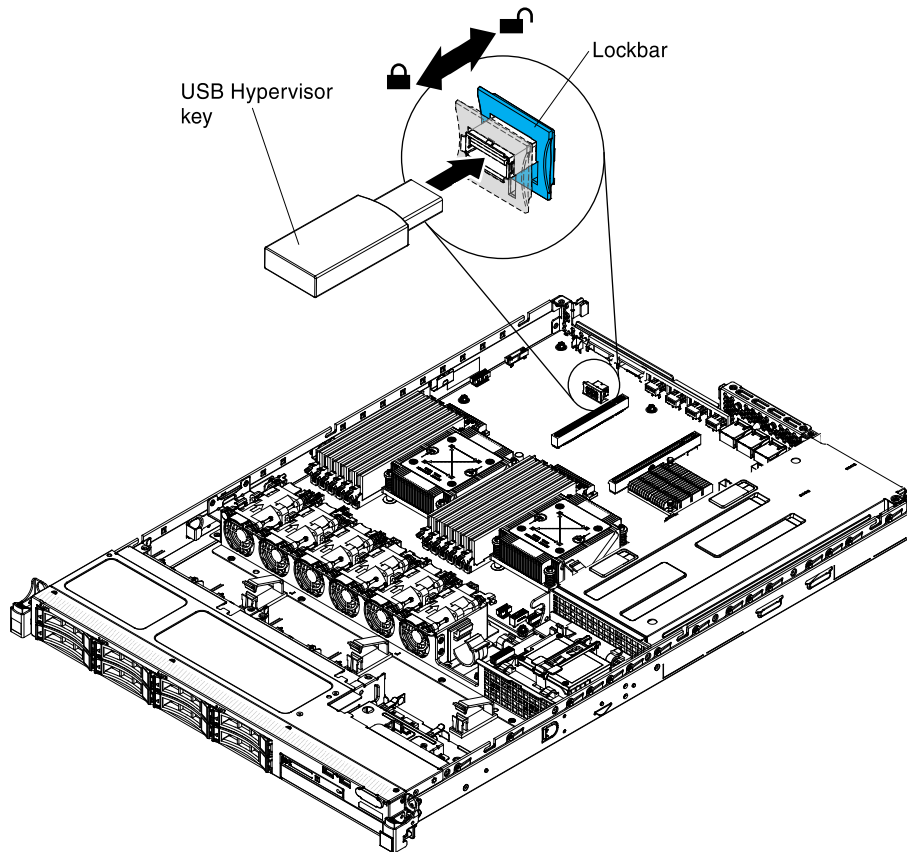


Figure 138. USB hypervisor flash device installation

- Step 4. Reconnect the power cord and any cables that you removed.
- Step 5. Install PCI riser-card assembly 1 (see [“Replacing a PCI riser-card assembly” on page 249](#)).
- Step 6. Install the air baffle (see [“Replacing the air baffle” on page 200](#)).
- Step 7. Install the cover (see [“Replacing the server top cover” on page 197](#)).
- Step 8. Reconnect the power cord and any cables that you removed.
- Step 9. Turn on the peripheral devices and the server.

Removing a hot-swap power supply

Use this information to remove a hot-swap power supply.

When you remove or install a hot-swap power supply, observe the following precautions.

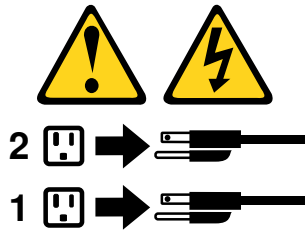
Statement 5



CAUTION:

The power control button on the device and the power switch on the power supply do not turn off the electrical current supplied to the device. The device also might have more than one power cord. To

remove all electrical current from the device, ensure that all power cords are disconnected from the power source.



Statement 8



CAUTION:

Never remove the cover on a power supply or any part that has the following label attached.



Hazardous voltage, current, and energy levels are present inside any component that has this label attached. There are no serviceable parts inside these components. If you suspect a problem with one of these parts, contact a service technician.

To remove a hot-swap power supply, complete the following steps:

- Step 1. Read the safety information that begins in [“Safety” on page v](#) and [“Installation guidelines” on page 33](#).
- Step 2. If only one power supply is installed, turn off the server and peripheral devices and disconnect all power cords.
- Step 3. If the server is in a rack, at the back of the server, pull back the cable management arm to gain access to the rear of the server and the power supply.
- Step 4. Press and hold the orange release tab to the left. Grasp the handle and pull the power supply out of the server.

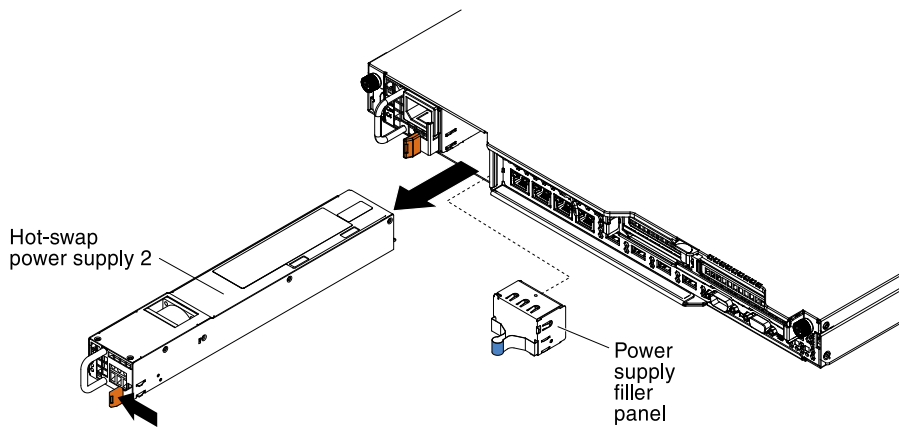


Figure 139. Power supply removal

Step 5. If you are instructed to return the power supply, follow all packaging instructions, and use any packaging materials for shipping that are supplied to you.

Replacing a hot-swap power supply

Use this information to install a hot-swap power supply.

The following notes describe the type of power supply that the server supports and other information that you must consider when you install a power supply:

- To confirm that the server supports the power supply that you are installing, see <http://www.lenovo.com/serverproven/>.
- Before you install an additional power supply or replace a power supply with one of a different wattage, you may use the Power Configurator utility to determine current system power consumption. For more information and to download the utility, go to <http://www.ibm.com/systems/bladecenter/resources/powerconfig.html>.
- The server comes standard with one of the following power supplies that connects to power supply bay 1. The input voltage is 100-127 V ac or 200-240 V ac auto-sensing.
 - 460-watt non-hot-swap power supply
 - 460-watt hot-swap power supply
 - 675-watt high-efficiency, hot-swap power supply

Note: You cannot mix 110 V ac and 220 V ac, or 460-watt and 675-watt power supplies in the server, it is not supported.

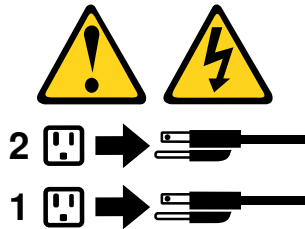
- Power supply 1 is the default/primary power supply. If power supply 1 fails, you must replace the power supply with the same wattage immediately.
- The server supports a maximum of two hot-swap power supplies. These power supplies are designed for parallel operation. In the event of a power-supply failure, the redundant power supply continues to power the system.
- The server can run fully configured with one power supply. For redundancy support, you must install the second hot-swap power supply.

Statement 5



CAUTION:

The power control button on the device and the power switch on the power supply do not turn off the electrical current supplied to the device. The device also might have more than one power cord. To remove all electrical current from the device, ensure that all power cords are disconnected from the power source.



Statement 8



CAUTION:

Never remove the cover on a power supply or any part that has the following label attached.



Hazardous voltage, current, and energy levels are present inside any component that has this label attached. There are no serviceable parts inside these components. If you suspect a with one of these parts, contact a service technician.

To install a hot-swap power supply, complete the following steps:

1. Read the safety information that begins in [“Safety” on page v](#) and [“Installation guidelines” on page 33](#).
2. Touch the static-protective package that contains the hot-swap power supply to any unpainted metal surface on the server; then, remove the power supply from the package and place it on a static-protective surface.
3. If you are installing a hot-swap power supply into an empty bay, remove the power-supply filler panel from the power-supply bay.

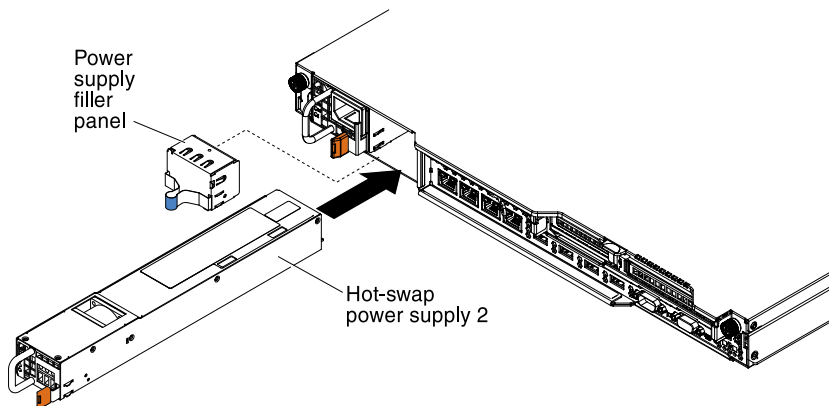


Figure 140. Power supply installation

4. Grasp the handle on the rear of the power supply and slide the power supply forward into the power-supply bay until it clicks. Make sure that the power supply connects firmly into the power-supply connector.
5. Route the power cord through the cable retainer clip so that it does not accidentally become disconnected
6. Connect the power cord for the new power supply to the power-cord connector on the power supply.
7. Connect the other end of the power cord to a properly grounded electrical outlet.
8. Make sure that the ac power LED and the dc power LED on the power supply are lit, indicating that the power supply is operating correctly. The two green LEDs are to the right of the power-cord connector.

Removing a hot-swap dc power supply

Use this information to remove a hot-swap dc power supply.

When you remove or install a hot-swap dc power supply, observe the following precautions.

Statement 29



CAUTION: This equipment is designed to permit the connection of the earthed conductor of the dc supply circuit to the earthing conductor at the equipment.

This equipment is designed to permit the connection of the earthed conductor of the dc supply circuit to the earthing conductor at the equipment. If this connection is made, all of the following conditions must be met:

- This equipment shall be connected directly to the dc supply system earthing electrode conductor or to a bonding jumper from an earthing terminal bar or bus to which the dc supply system earthing electrode conductor is connected.
- This equipment shall be located in the same immediate area (such as, adjacent cabinets) as any other equipment that has a connection between the earthed conductor of the same dc supply circuit and the earthing conductor, and also the point of earthing of the dc system. The dc system shall not be earthed elsewhere.
- The dc supply source shall be located within the same premises as this equipment.
- Switching or disconnecting devices shall not be in the earthed circuit conductor between the dc source and the point of connection of the earthing electrode conductor.

Statement 31



DANGER

Electrical current from power, telephone, and communication cables is hazardous.

To avoid a shock hazard:

- **Do not connect or disconnect any cables or perform installation, maintenance, or reconfiguration of this product during an electrical storm.**
- **Connect all power cords to a properly wired and grounded power source.**
- **Connect to properly wired power sources any equipment that will be attached to this product.**
- **When possible, use one hand only to connect or disconnect signal cables.**
- **Never turn on any equipment when there is evidence of fire, water, or structural damage.**
- **Disconnect the attached ac power cords, dc power sources, network connections, telecommunications systems, and serial cables before you open the device covers, unless you are instructed otherwise in the installation and configuration procedures.**
- **Connect and disconnect cables as described in the following table when you install, move, or open covers on this product or attached devices.**

To Connect:

1. Turn OFF all power sources and equipment that is to be attached to this product.
2. Attach signal cables to the product.
3. Attach power cords to the product.
 - For ac systems, use appliance inlets.
 - For dc systems, ensure correct polarity of -48 V dc connections: RTN is + and -48 V dc is -. Earth ground should use a two-hole lug for safety.
4. Attach signal cables to other devices.
5. Connect power cords to their sources.
6. Turn ON all the power sources.

To Disconnect:

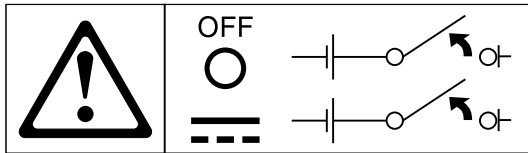
1. Turn OFF all power sources and equipment that is to be attached to this product.
 - For ac systems, remove all power cords from the chassis power receptacles or interrupt power at the ac power distribution unit.
 - For dc systems, disconnect dc power sources at the breaker panel or by turning off the power source. Then, remove the dc cables.
2. Remove the signal cables from the connectors.
3. Remove all cables from the devices.

Statement 33



CAUTION:

This product does not provide a power-control button. Turning off blades or removing power modules and I/O modules does not turn off electrical current to the product. The product also might have more than one power cord. To remove all electrical current from the product, make sure that all power cords are disconnected from the power source.



Statement 34



CAUTION:

To reduce the risk of electric shock or energy hazards:

- This equipment must be installed by trained service personnel in a restricted-access location, as defined by the NEC and IEC 60950-1, First Edition, The Standard for Safety of Information Technology Equipment.
- Connect the equipment to a properly grounded safety extra low voltage (SELV) source. A SELV source is a secondary circuit that is designed so that normal and single fault conditions do not cause the voltages to exceed a safe level (60 V direct current).
- Incorporate a readily available approved and rated disconnect device in the field wiring.
- See the specifications in the product documentation for the required circuit-breaker rating for branch circuit overcurrent protection.
- Use copper wire conductors only. See the specifications in the product documentation for the required wire size.
- See the specifications in the product documentation for the required torque values for the wiring-terminal screws.



≥ 18 kg (39.7 lb)



≥ 32 kg (70.5 lb)



≥ 55 kg (121.2 lb)



> 50 kg (110 lb)

Important: Be sure to read the multilingual safety instructions on the CD that comes with the server before you use the product.

To remove a hot-swap dc power supply, complete the following steps:

- Step 1. Read the safety information that begins in [“Safety” on page v](#) and [“Installation guidelines” on page 33](#).
- Step 2. If only one power supply is installed, turn off the server and peripheral devices and disconnect all power cords.
- Step 3. If the server is in a rack, at the back of the server, pull back the cable management arm to gain access to the rear of the server and the power supply.

- Step 4. Press and hold the release tab to the left. Grasp the handle and pull the power supply out of the server.

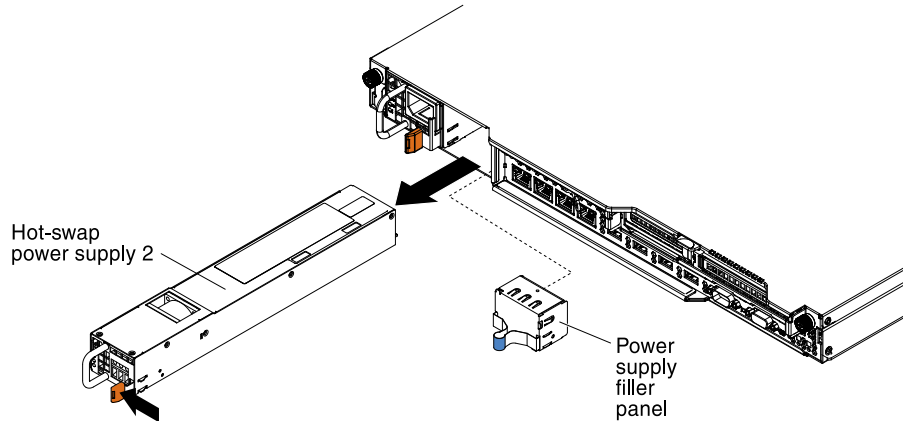


Figure 141. Power supply removal

- Step 5. If you are instructed to return the power supply, follow all packaging instructions, and use any packaging materials for shipping that are supplied to you.

Replacing a hot-swap dc power supply

Use this information to install a hot-swap dc power supply.

The following notes describe the type of power supply that the server supports and other information that you must consider when you install a power supply:

- Before you install an additional power supply or replace a power supply with one of a different wattage, you may use the Power Configurator utility to determine current system power consumption. For more information and to download the utility, go to <http://www.ibm.com/systems/bladecenter/resources/powerconfig.html>.
- The server comes with one hot-swap 12-volt output power supply that connects to power supply bay 1. The input voltage is -48 V dc or -60 V dc auto-sensing.
- Before you install a dc power supply in the server, you must remove all ac power supplies. Do not use both ac and dc power supplies in the same server. Install up to two dc power supplies or up to two ac power supplies, but not a combination.
- Power supply 1 is the default/primary power supply. If power supply 1 fails, you must replace the power supply with the same wattage immediately.
- You can order an optional power supply for redundancy.
- These power supplies are designed for parallel operation. In the event of a power-supply failure, the redundant power supply continues to power the system. The server supports a maximum of two power supplies.
- It is the customer's responsibility to supply the necessary power cable.

To reduce the risk of electric shock or energy hazards:

- Use a circuit breaker that is rated at 25 amps.
- Use 2.5 mm² (12 AWG) at 90° C copper wire.
- Torque the wiring-terminal screws to 0.50 ~ 0.60 newton-meters (4.43 ~ 5.31 inch-pounds).

For more information, see Statement 34.

- If the power source requires ring terminals, you must use a crimping tool to install the ring terminals to the power cord wires. The ring terminals must be UL approved and must accommodate the wire that is described in the above-mentioned note.

Statement 29:



CAUTION:

This equipment is designed to permit the connection of the earthed conductor of the dc supply circuit to the earthing conductor at the equipment.

This equipment is designed to permit the connection of the earthed conductor of the dc supply circuit to the earthing conductor at the equipment. If this connection is made, all of the following conditions must be met:

- This equipment shall be connected directly to the dc supply system earthing electrode conductor or to a bonding jumper from an earthing terminal bar or bus to which the dc supply system earthing electrode conductor is connected.
- This equipment shall be located in the same immediate area (such as, adjacent cabinets) as any other equipment that has a connection between the earthed conductor of the same dc supply circuit and the earthing conductor, and also the point of earthing of the dc system. The dc system shall not be earthed elsewhere.
- The dc supply source shall be located within the same premises as this equipment.
- Switching or disconnecting devices shall not be in the earthed circuit conductor between the dc source and the point of connection of the earthing electrode conductor.

Statement 31



Electrical current from power, telephone, and communication cables is hazardous.

To avoid a shock hazard:

- **Do not connect or disconnect any cables or perform installation, maintenance, or reconfiguration of this product during an electrical storm.**
- **Connect all power cords to a properly wired and grounded power source.**
- **Connect to properly wired power sources any equipment that will be attached to this product.**
- **When possible, use one hand only to connect or disconnect signal cables.**
- **Never turn on any equipment when there is evidence of fire, water, or structural damage.**
- **Disconnect the attached ac power cords, dc power sources, network connections, telecommunications systems, and serial cables before you open the device covers, unless you are instructed otherwise in the installation and configuration procedures.**
- **Connect and disconnect cables as described in the following table when you install, move, or open covers on this product or attached devices.**

To Connect:

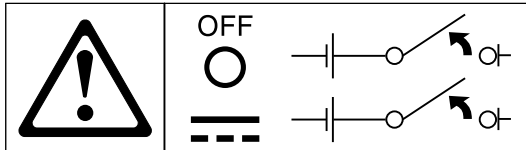
1. Turn OFF all power sources and equipment that is to be attached to this product.
2. Attach signal cables to the product.
3. Attach power cords to the product.
 - For ac systems, use appliance inlets.
 - For dc systems, ensure correct polarity of -48 V dc connections: RTN is + and -48 V dc is -. Earth ground should use a two-hole lug for safety.
4. Attach signal cables to other devices.
5. Connect power cords to their sources.
6. Turn ON all the power sources.

To Disconnect:

1. Turn OFF all power sources and equipment that is to be attached to this product.
 - For ac systems, remove all power cords from the chassis power receptacles or interrupt power at the ac power distribution unit.
 - For dc systems, disconnect dc power sources at the breaker panel or by turning off the power source. Then, remove the dc cables.
2. Remove the signal cables from the connectors.
3. Remove all cables from the devices.

Statement 33**CAUTION:**

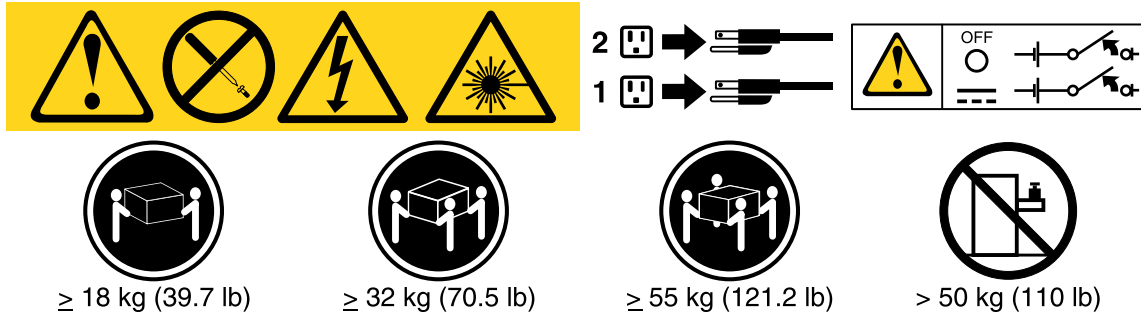
This product does not provide a power-control button. Turning off blades or removing power modules and I/O modules does not turn off electrical current to the product. The product also might have more than one power cord. To remove all electrical current from the product, make sure that all power cords are disconnected from the power source.

**Statement 34****CAUTION:**

To reduce the risk of electric shock or energy hazards:

- This equipment must be installed by trained service personnel in a restricted-access location, as defined by the NEC and IEC 60950-1, First Edition, The Standard for Safety of Information Technology Equipment.
- Connect the equipment to a properly grounded safety extra low voltage (SELV) source. A SELV source is a secondary circuit that is designed so that normal and single fault conditions do not cause the voltages to exceed a safe level (60 V direct current).
- Incorporate a readily available approved and rated disconnect device in the field wiring.
- See the specifications in the product documentation for the required circuit-breaker rating for branch circuit overcurrent protection.

- Use copper wire conductors only. See the specifications in the product documentation for the required wire size.
- See the specifications in the product documentation for the required torque values for the wiring-terminal screws.



Important: Be sure to read the multilingual safety instructions on the CD that comes with the server before you use the product.

To install a hot-swap dc power supply, complete the following steps:

Attention: Only trained service personnel other than Lenovo service technicians are authorized to install and remove the -48 volt dc power supply, and make the connections to and disconnections from the -48 volt dc power source. Lenovo service technicians are not certified or authorized to install or remove the -48 volt power cable. The customer is responsible for ensuring that only trained service personnel install or remove the -48 volt power cable.

- Step 1. Read the safety information that begins in [“Safety” on page v](#) and [“Installation guidelines” on page 33](#).
- Step 2. Touch the static-protective package that contains the hot-swap power supply to any unpainted metal surface on the server; then, remove the power supply from the package and place it on a static-protective surface.
- Step 3. Turn off the circuit breaker for the dc power source to which the new power supply will be connected. Disconnect the power cord from the dc power source.
- Step 4. Attach the dc power cable to the new power supply. Make sure the wires are connected securely to the -48V, ground, and -48V return terminals.

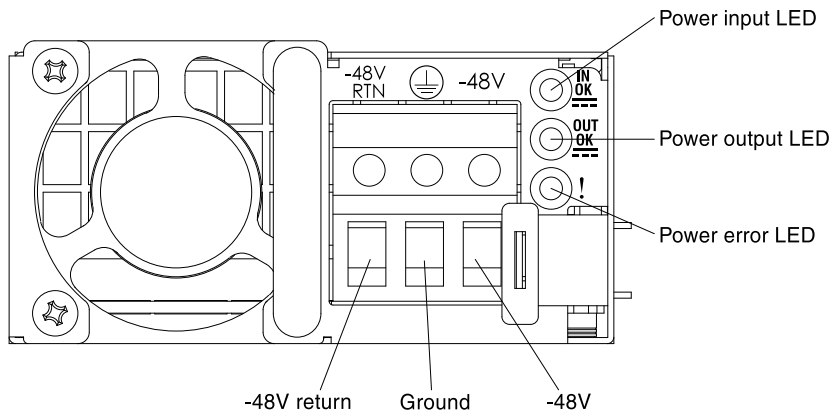


Figure 142. DC power supply rear view

- Step 5. If you are installing a hot-swap power supply into an empty bay, remove the power-supply filler from the power-supply bay.

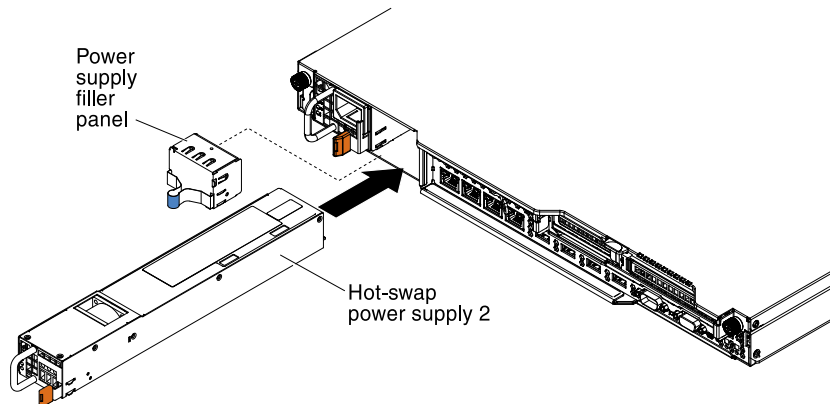


Figure 143. Power supply installation

- Step 6. Grasp the handle on the rear of the power supply and slide the power supply forward into the power-supply bay until it clicks. Make sure that the power supply connects firmly into the power-supply connector.
- Step 7. Route the power cord through the handle and cable tie if any, so that it does not accidentally become unplugged.
- Step 8. Connect the other ends of the dc power cable to the dc power source. Cut the wires to the correct length, but do not cut them shorter than 150 mm (6 inch). If the power source requires ring terminals, you must use a crimping tool to install the ring terminals to the power cord wires. The ring terminals must be UL approved and must accommodate the wires that are described in note. The minimum nominal thread diameter of a pillar or stud type of terminal must be 4 mm; for a screw type of terminal the diameter must be 5.0 mm.
- Step 9. Turn on the circuit breaker for the dc power source to which the new power supply is connected.
- Step 10. Make sure that the green power LEDs on the power supply are lit, indicating that the power supply is operating correctly.
- Step 11. If you are replacing a power supply with one of a different wattage in the server, apply the new power information label provided over the existing power information label on the server. Power supplies in the server must be with the same power rating or wattage to ensure that the server will operate correctly.

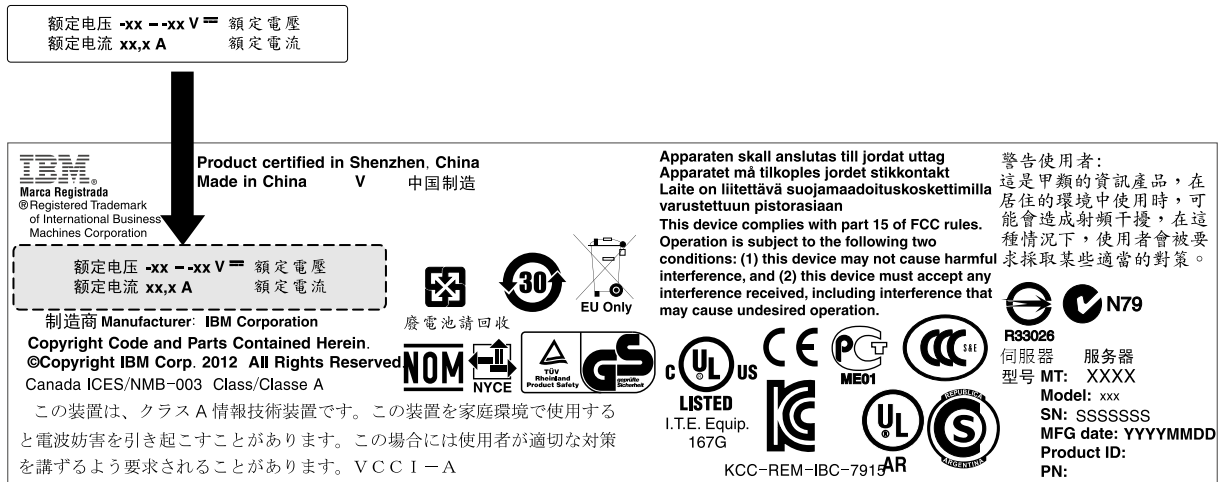


Figure 144. Power information label

Step 12. If you are adding a power supply to the server, attach the redundant power information label that comes with this option on the server cover near the power supplies.

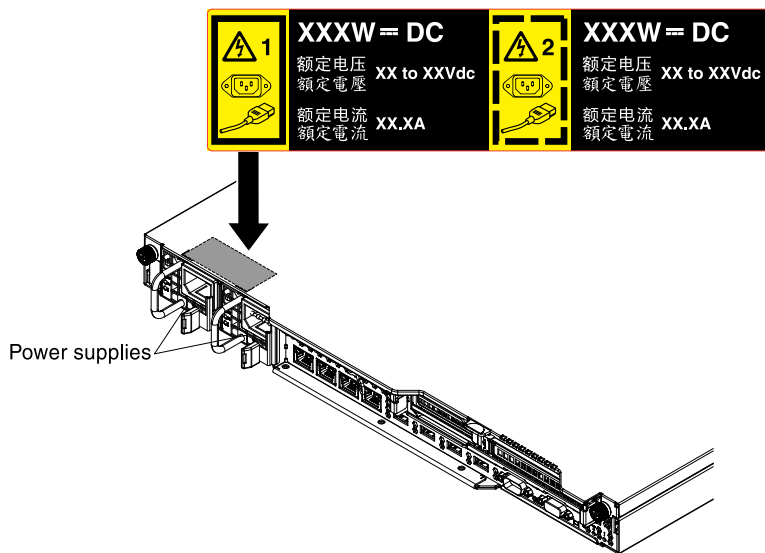


Figure 145. Redundant power information label

Removing the fixed power supply

Use this information to remove the fixed power supply.

Note: You must turn off the server before removing or replacing the fixed power supply.

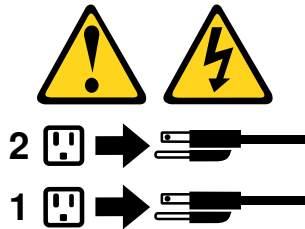
When you remove or install a power supply, observe the following precautions.

Statement 5



CAUTION:

The power control button on the device and the power switch on the power supply do not turn off the electrical current supplied to the device. The device also might have more than one power cord. To remove all electrical current from the device, ensure that all power cords are disconnected from the power source.



Statement 8



CAUTION:

Never remove the cover on a power supply or any part that has the following label attached.



Hazardous voltage, current, and energy levels are present inside any component that has this label attached. There are no serviceable parts inside these components. If you suspect a problem with one of these parts, contact a service technician.

To remove the fixed power supply, complete the following steps:

- Step 1. Read the safety information that begins in [“Safety” on page v](#) and [“Installation guidelines” on page 33](#).
- Step 2. Turn off the server (see [“Turning off the server” on page 23](#)) and all attached peripheral devices. Disconnect all power cords; then, disconnect all external cables as necessary to replace the device.
- Step 3. Remove the top cover (see [“Removing the server top cover” on page 35](#)).
- Step 4. Disconnect the power-supply cables from the connectors on the system board and internal devices; then, disengage the cables from any cable clips.

Note: Note the routing of all power-supply cables; you will route the power-supply cables the same way when you install the power supply.

- Step 5. Remove the screw that holds the power supply to the rear of the chassis; then, slide the power supply slightly toward the front of the server and lift to remove it from the server.

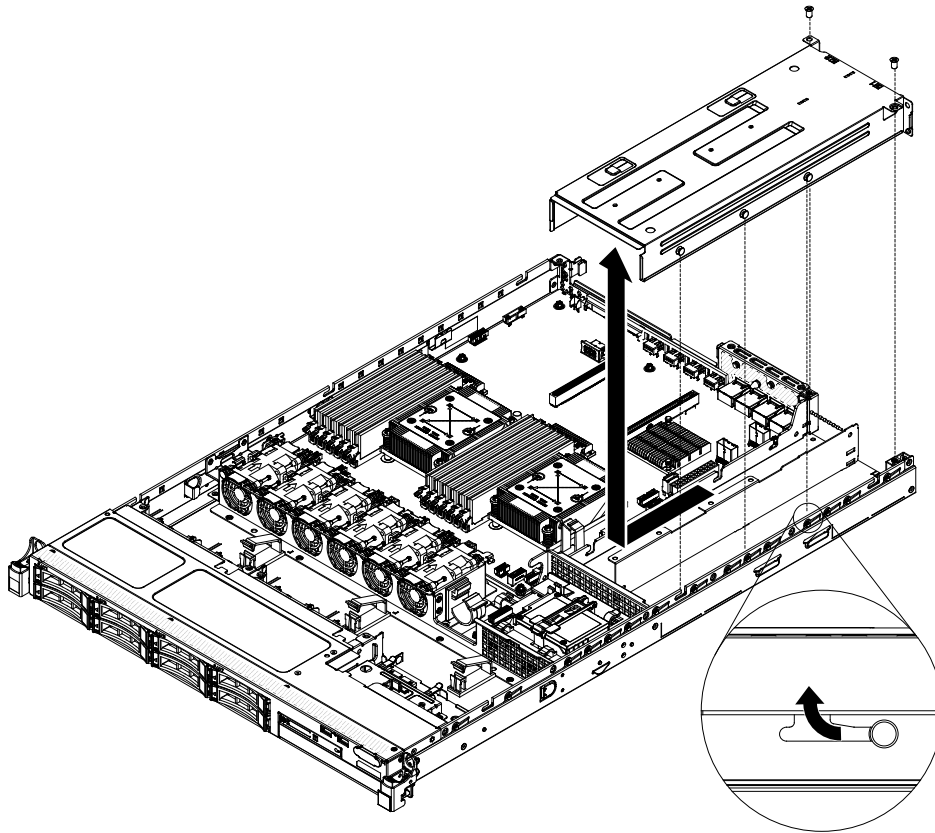


Figure 146. Fixed power supply removal

Step 6. If you are instructed to return the power supply, follow all packaging instructions, and use any packaging materials for shipping that are supplied to you.

Replacing the fixed power supply

Use this information to install the fixed power supply.

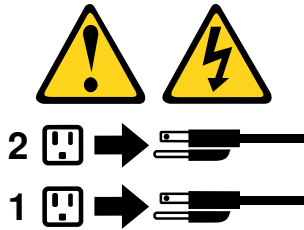
Note: You must turn off the server before removing or replacing the fixed power supply.

Statement 5



CAUTION:

The power control button on the device and the power switch on the power supply do not turn off the electrical current supplied to the device. The device also might have more than one power cord. To remove all electrical current from the device, ensure that all power cords are disconnected from the power source.



Statement 8



CAUTION:

Never remove the cover on a power supply or any part that has the following label attached.



Hazardous voltage, current, and energy levels are present inside any component that has this label attached. There are no serviceable parts inside these components. If you suspect a with one of these parts, contact a service technician.

To install a fixed power supply, complete the following steps:

1. Read the safety information that begins in [“Safety” on page v](#) and [“Installation guidelines” on page 33](#).
2. Touch the static-protective package that contains the power supply to any unpainted metal surface on the server; then, remove the power supply from the package and place it on a static-protective surface.
3. Orient the power supply as shown in the following illustration and align the retention tabs on the side of the power supply with the slots on the chassis.
4. Install the rear bracket.

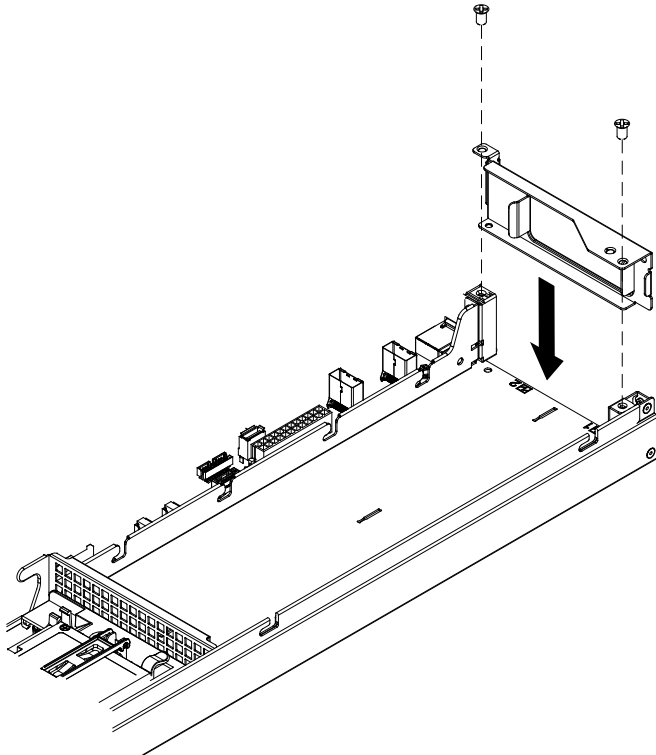


Figure 147. Rear bracket installation

5. Lower the power supply and slide the retention tabs into the slots. Make sure all retention tabs are engaged in the slots.

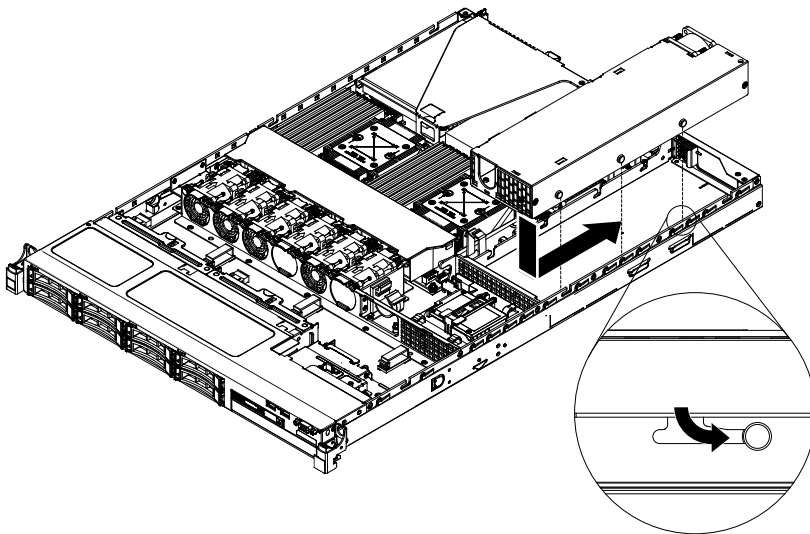


Figure 148. Fixed power supply installation

6. Install the screw and the filler to secure the power supply in the chassis.

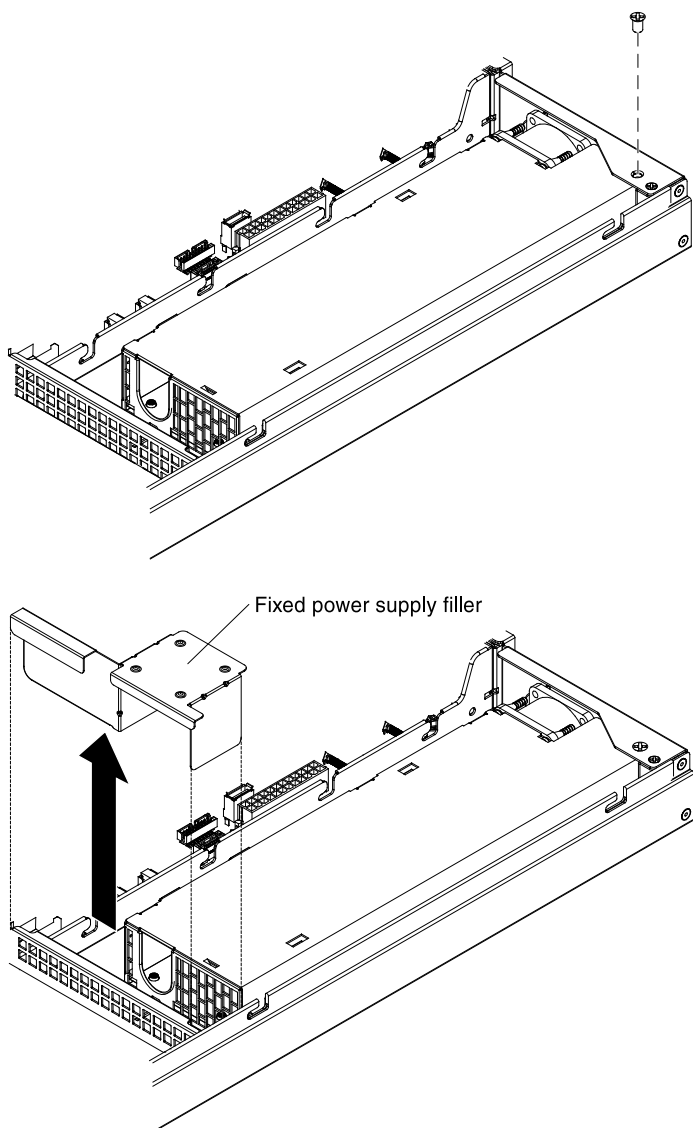


Figure 149. Screw and filler installation

7. Connect the power cables to the power supply.
8. Install the cover (see [“Replacing the server top cover” on page 197](#)).
9. Route the power cord through the cable retainer clip so that it does not accidentally become disconnected.
10. Connect the power cord for the new power supply to the power-cord connector on the power supply.
11. Connect the other end of the power cord to a properly grounded electrical outlet.
12. Make sure that the ac power LED and the dc power LED on the power supply are lit, indicating that the power supply is operating correctly.

Removing a PCI riser-card assembly

Use this information to remove a PCI riser-card assembly.

To remove a PCI riser-card assembly, complete the following steps:

- Step 1. Read the safety information that begins in [“Safety” on page v](#) and [“Installation guidelines” on page 33](#).
- Step 2. Turn off the server (see [“Turning off the server” on page 23](#)) and all attached peripheral devices. Disconnect all power cords; then, disconnect all external cables as necessary to replace the device.
- Step 3. Remove the server cover (see [“Removing the server top cover” on page 196](#)).
- Step 4. If an adapter is installed in the PCI riser-card assembly, disconnect any cables that are connected to the adapter.
- Step 5. Grasp the front and rear of the PCI riser-card assembly at the blue touch-points and lift it out of the PCI riser connector on the system board.

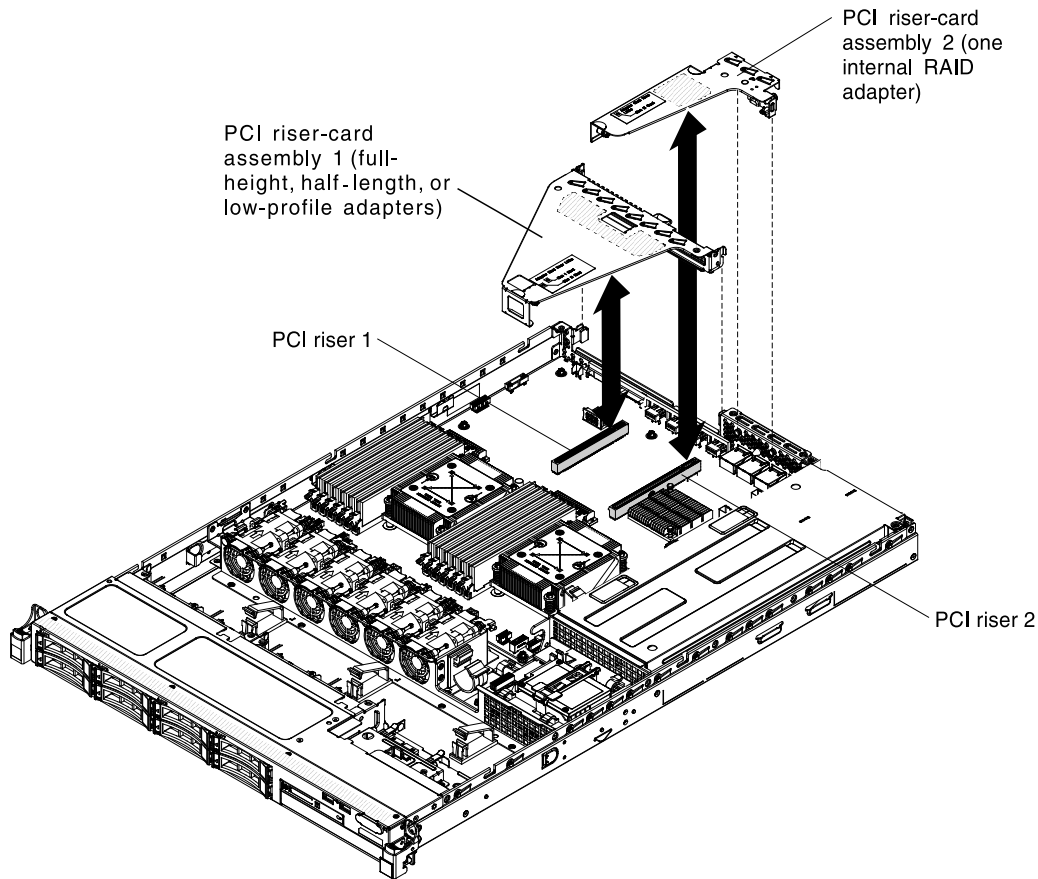


Figure 150. PCI riser-card assembly removal

- Step 6. Remove the adapter, if necessary, from the PCI riser-card assembly (see [“Removing an adapter” on page 201](#)).
- Step 7. Set the adapter and PCI riser-card assembly aside.
- Step 8. If you are instructed to return the PCI riser-card assembly, follow all packaging instructions, and use any packaging materials for shipping that are supplied to you.

Replacing a PCI riser-card assembly

Use this information to install a PCI riser-card assembly.

To replace a PCI riser-card assembly, complete the following steps:

- Step 1. Read the safety information that begins in [“Safety” on page v](#) and [“Installation guidelines” on page 33](#).
- Step 2. Install the adapter in the new PCI riser-card assembly (see [“Replacing an adapter” on page 202](#)).
- Step 3. Set any jumpers or switches on the adapter as directed by the adapter manufacturer.
- Step 4. Align the PCI riser-card assembly with the PCI riser connector on the system board; then, press down firmly until the PCI riser-card assembly is seated correctly in the connector on the system board.

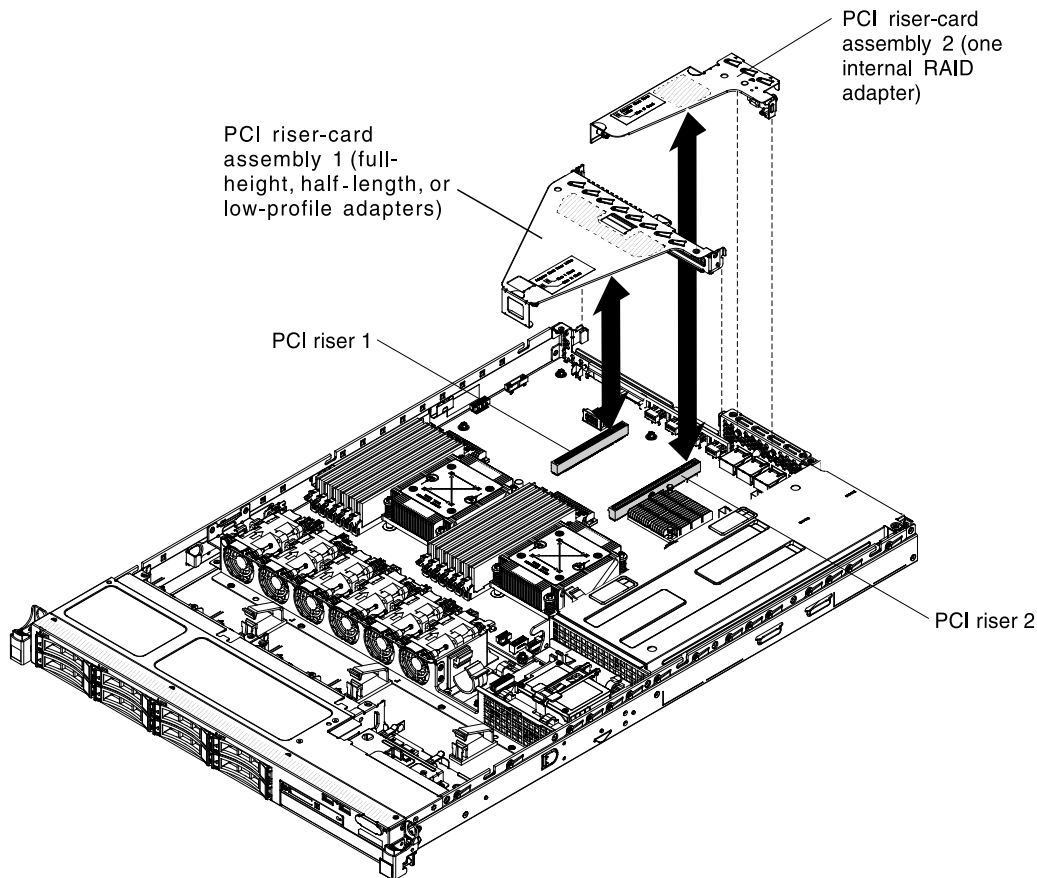


Figure 151. PCI riser-card assembly installation

- Step 5. Install the cover (see [“Replacing the server top cover” on page 197](#)).
- Step 6. Reconnect the external cables; then, reconnect the power cords and turn on the peripheral devices and the server.

Removing the operator information panel assembly

Use the information to remove the operator information panel assembly.

To remove the operator information panel, complete the following steps.

- Step 1. Read the safety information that begins in [“Safety” on page v](#) and [“Installation guidelines” on page 33](#).
- Step 2. Turn off the server (see [“Turning off the server” on page 23](#)) and all attached peripheral devices. Disconnect all power cords; then, disconnect all external cables as necessary to replace the device.

- Step 3. Remove the server cover (see [“Removing the server top cover”](#) on page 196).
- Step 4. Disconnect the cable from the back of the operator information panel assembly.
- Step 5. Push the blue points on the rear of the operator information panel to the front of the server.

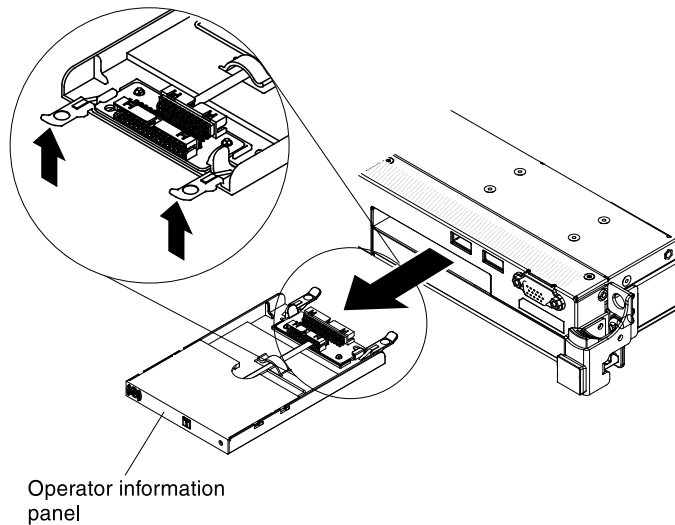


Figure 152. Operator information panel assembly removal

- Step 6. From the front of the server, carefully pull the assembly out of the server.
- Step 7. If you are instructed to return the operator information panel assembly, follow all packaging instructions, and use any packaging materials for shipping that are supplied to you.

Replacing the operator information panel assembly

Use the information to replace the operator information panel assembly.

To install the operator information panel, complete the following steps.

- Step 1. Read the safety information that begins in [“Safety”](#) on page v and [“Installation guidelines”](#) on page 33.
- Step 2. From the front of the server, slide the operator information panel into the server until it stops.

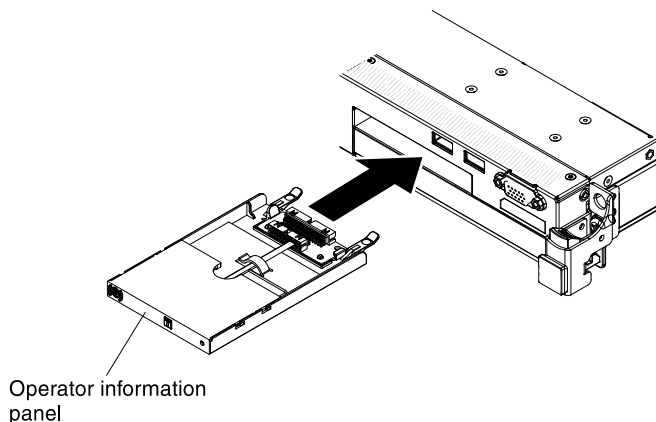


Figure 153. Operator information panel assembly installation

- Step 3. Connect the signal cable to the rear of the operator information panel; then, connect the other end of the signal cable to the connectors on the system board. Route the signal cable as shown in the following illustration. Secure the cable with any cable clips on the chassis.

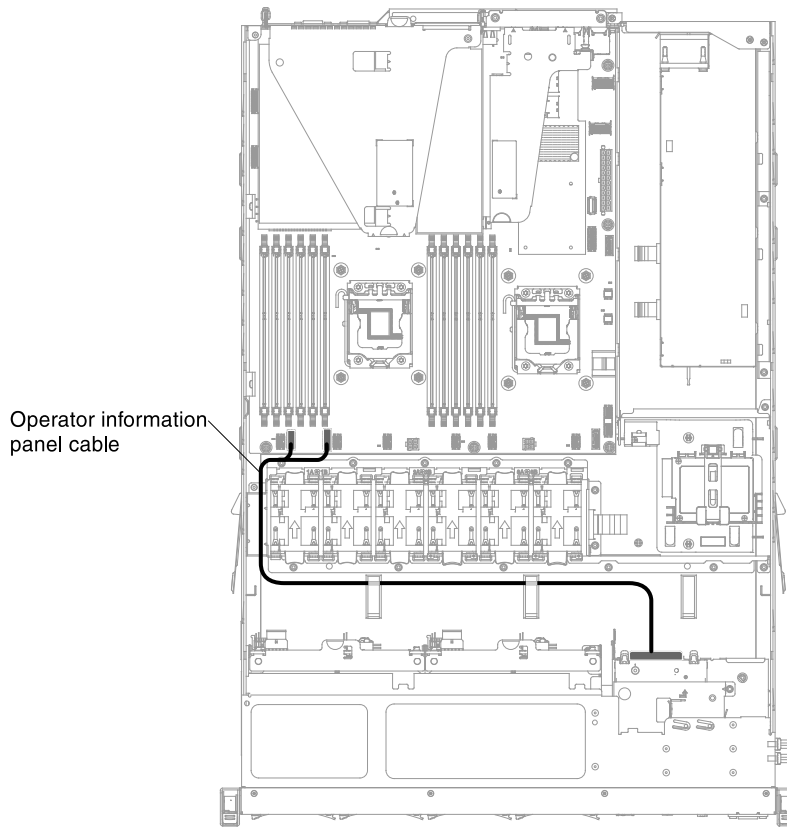


Figure 154. Signal cable installation

- Step 4. Remove the air baffle (see [“Removing the air baffle”](#) on page 200).
- Step 5. Inside the server, connect the cable to the rear of the operator information panel assembly.
- Step 6. Reinstall the air baffle (see [“Replacing the air baffle”](#) on page 200).
- Step 7. Install the cover (see [“Replacing the server top cover”](#) on page 197).
- Step 8. Reconnect the power cords and any cables that you removed.
- Step 9. Turn on the peripheral devices and the server.

Removing the system battery

Use this information to remove the system battery.

The following notes describe information that you must consider when replacing the battery:

- Lenovo has designed this product with your safety in mind. The lithium battery must be handled correctly to avoid possible danger. If you replace the battery, you must adhere to the following instructions.

Note: In the U. S., call 1-800-IBM-4333 for information about battery disposal.

- If you replace the original lithium battery with a heavy-metal battery or a battery with heavy-metal components, be aware of the following environmental consideration. Batteries and accumulators that contain heavy metals must not be disposed of with normal domestic waste. They will be taken back free

of charge by the manufacturer, distributor, or representative, to be recycled or disposed of in a proper manner.

- To order replacement batteries, call 1-800-IBM-SERV within the United States, and 1-800-465-7999 or 1-800-465-6666 within Canada. Outside the U.S. and Canada, call your support center or business partner.

Note: After you replace the battery, you must reconfigure the server and reset the system date and time.

Statement 2



CAUTION:

When replacing the lithium battery, use only Part Number 33F8354 or an equivalent type battery recommended by the manufacturer. If your system has a module containing a lithium battery, replace it only with the same module type made by the same manufacturer. The battery contains lithium and can explode if not properly used, handled, or disposed of.

Do not:

- **Throw or immerse into water**
- **Heat to more than 100°C (212°F)**
- **Repair or disassemble**

Dispose of the battery as required by local ordinances or regulations.

To remove the system-board battery, complete the following steps:

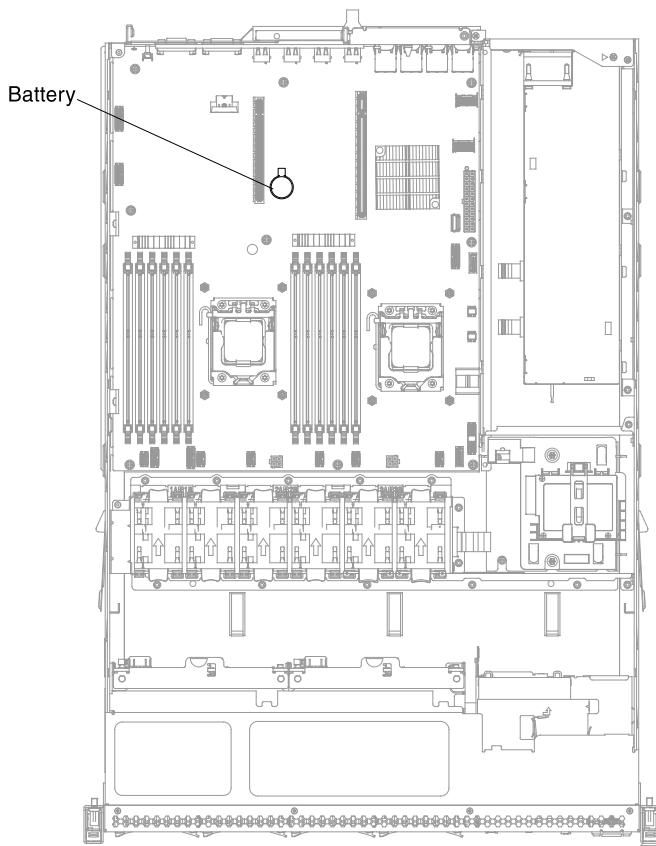


Figure 155. Location of system battery

- Step 1. Read the safety information that begins in [“Safety” on page v](#) and [“Installation guidelines” on page 33](#).
- Step 2. Turn off the server (see [“Turning off the server” on page 23](#)) and all attached peripheral devices. Disconnect all power cords; then, disconnect all external cables as necessary to replace the device.
- Step 3. Remove the top cover (see [“Removing the server top cover” on page 35](#)).
- Step 4. Remove PCI riser-card assembly 1 from the server. (see [“Removing a PCI riser-card assembly” on page 248](#)).
- Step 5. Remove the system-board battery:
 - a. Use one finger to push the battery horizontally out of its housing.

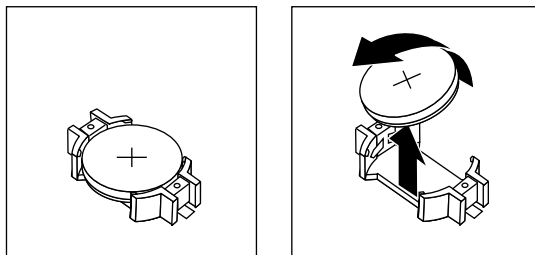


Figure 156. System battery removal

- b. Use your thumb and index finger to lift the battery from the socket.

Step 6. Dispose of the battery as required by local ordinances or regulations. See the *Environmental Notices and User's Guide* on the *Documentation* CD for more information.

Replacing the system battery

Use this information to install the system battery.

The following notes describe information that you must consider when replacing the system-board battery in the server.

- When replacing the system-board battery, you must replace it with a lithium battery of the same type from the same manufacturer.
- To order replacement batteries, call 1-800-426-7378 within the United States, and 1-800-465-7999 or 1-800-465-6666 within Canada. Outside the U.S. and Canada, call your Lenovo marketing representative or authorized reseller.
- After you replace the system-board battery, you must reconfigure the server and reset the system date and time.
- To avoid possible danger, read and follow the following safety statement.

Statement 2



CAUTION:

When replacing the lithium battery, use only Part Number 33F8354 or an equivalent type battery recommended by the manufacturer. If your system has a module containing a lithium battery, replace it only with the same module type made by the same manufacturer. The battery contains lithium and can explode if not properly used, handled, or disposed of.

Do not:

- **Throw or immerse into water**
- **Heat to more than 100°C (212°F)**
- **Repair or disassemble**

Dispose of the battery as required by local ordinances or regulations.

To install the replacement system-board battery, complete the following steps:

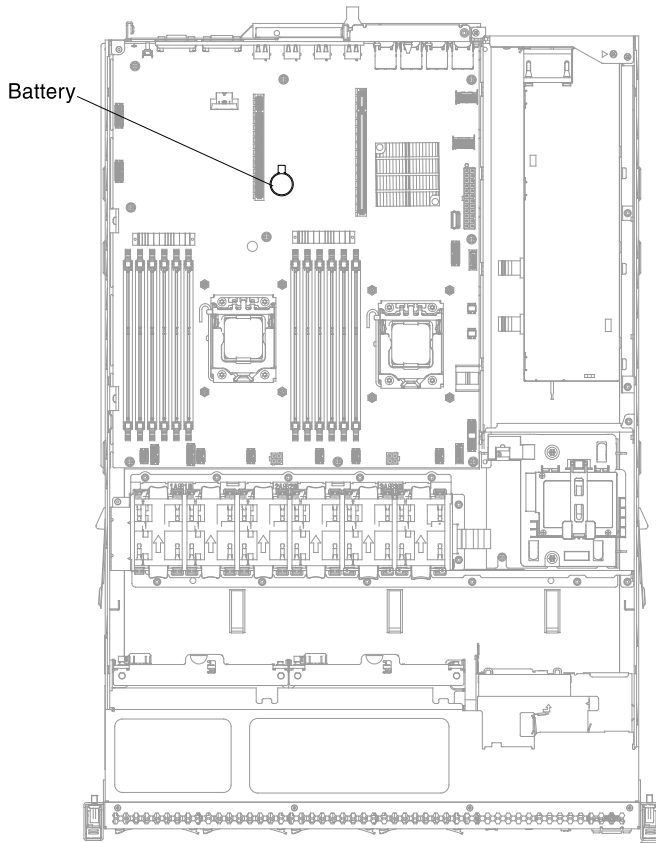


Figure 157. Location of system battery

- Step 1. Follow any special handling and installation instructions that come with the replacement battery.
- Step 2. Insert the new battery:
 - a. Position the battery so that the positive (+) symbol is facing you.

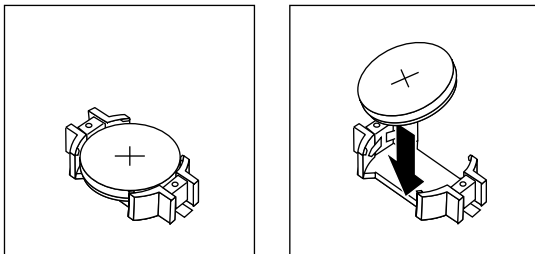


Figure 158. System battery installation

- b. Place the battery into its socket, and press the battery toward the housing until it clicks into place. Make sure that the battery clip holds the battery securely.
- Step 3. Install PCI riser-card assembly 1 (see [“Replacing a PCI riser-card assembly”](#) on page 249).
- Step 4. Install the cover (see [“Replacing the server top cover”](#) on page 197).
- Step 5. Reconnect the external cables; then, reconnect the power cords and turn on the peripheral devices and the server.

Note: You must wait approximately 1 to 3 minutes after you connect the server to a power source before the power-control button becomes active.

Step 6. Start the Setup utility and reset the configuration.

- Set the system date and time.
- Set the power-on password.
- Reconfigure the server.

See [“Using the Setup utility” on page 85](#) for details.

Removing the front USB connector board

Use this information to remove the front USB connector board.

To remove the front USB connector board, complete the following steps:

- Step 1. Read the safety information that begins in [“Safety” on page v](#) and [“Installation guidelines” on page 33](#).
- Step 2. Turn off the server (see [“Turning off the server” on page 23](#)) and all attached peripheral devices. Disconnect all power cords; then, disconnect all external cables as necessary to replace the device.
- Step 3. Remove the server cover (see [“Removing the server top cover” on page 196](#)).
- Step 4. Disconnect the USB cable from the connector on the rear of the USB assembly.
- Step 5. (For 2.5-inch hard disk drive models) Press the release tab and push the USB assembly toward the rear of the server.

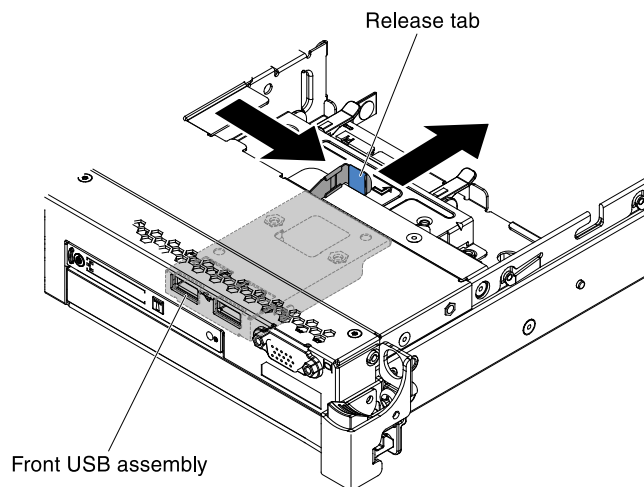


Figure 159. Front USB connector board removal (for 2.5-inch HDD models)

- Step 6. (For 3.5-inch hard disk drive models) Press the release tab and push the USB assembly toward the front of the server.

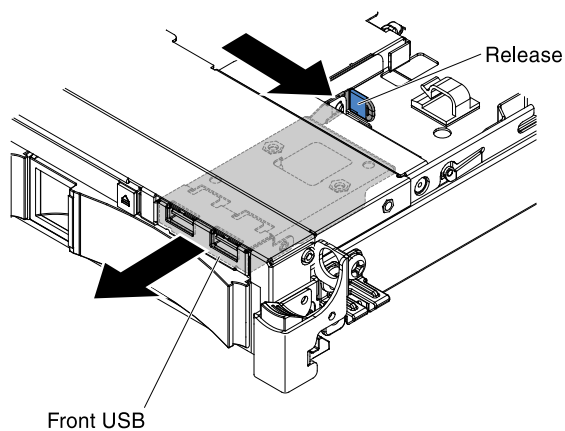


Figure 160. Front USB connector board removal (for 3.5-inch HDD models)

Step 7. Remove the two screws from the USB assembly and rotate the front USB connector board out of the USB assembly.

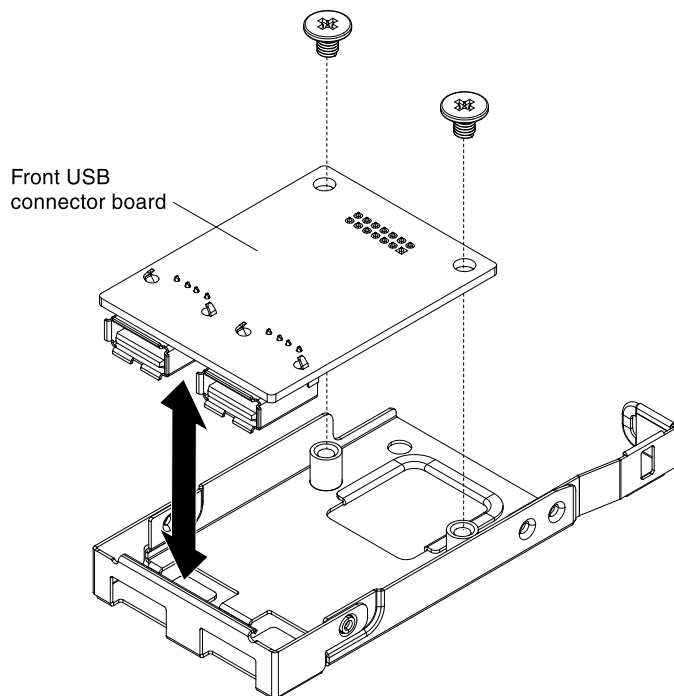


Figure 161. USB assembly screws removal

Step 8. If you are instructed to return the front USB connector board, follow all packaging instructions, and use any packaging materials for shipping that are supplied to you.

Replacing the front USB connector board

Use this information to replace the front USB connector board.

To replace the front USB connector board, complete the following steps:

Step 1. Read the safety information that begins in [“Safety” on page v](#) and [“Installation guidelines” on page 33](#).

- Step 2. Orient the USB connector board as shown in the illustration; then, align the screw holes on the USB connector board with the screw holes on the USB assembly.

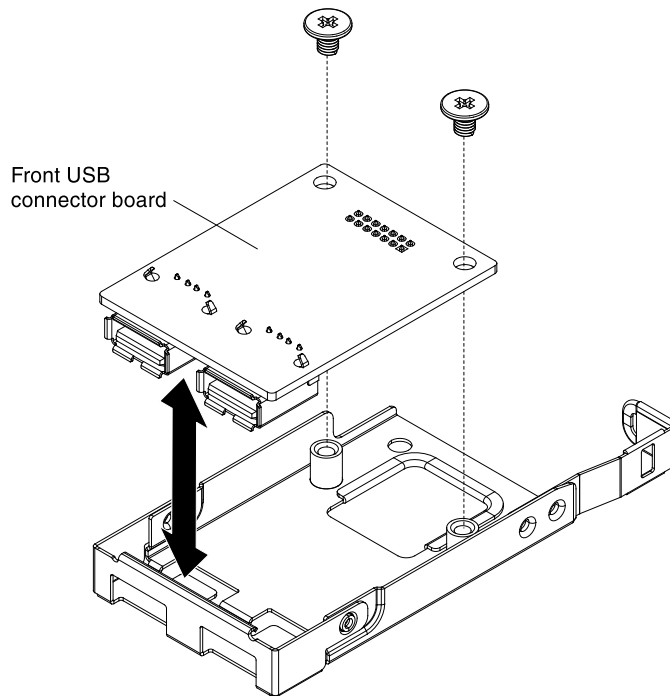


Figure 162. USB assembly screws installation

- Step 3. Install the screws to secure the USB connector board to the USB assembly.
- Step 4. From the front of the server, slide the USB assembly into the USB slot until it clicks into place.

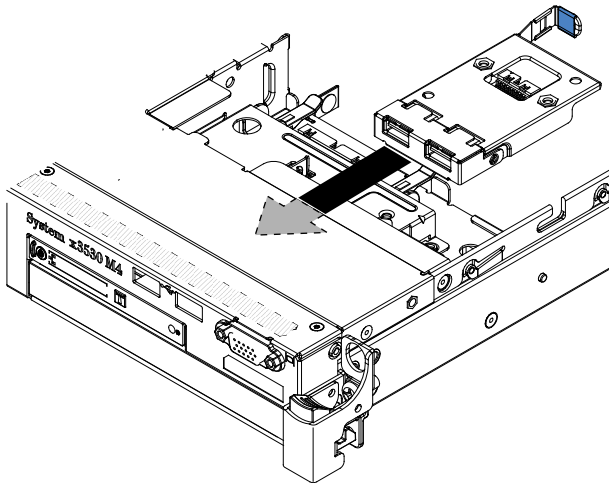


Figure 163. USB assembly installation

- Step 5. Connect one end of the USB cable to the connector on the USB connector board; then, connect the other end of the USB cable to the connector on the system board. Route the USB cable as shown in the following illustration.
- Step 6. Align the front video connector (if available) with the slot on the server and install the two screws to secure it to the server.

- Step 7. Connect the video/USB cable to the connector on the system board.
- Step 8. Secure the USB cable with any cable clips in the server.
- Step 9. Replace the cover (see [“Replacing the server top cover” on page 197](#)).

Removing the front video connector

Use this information to remove the front video connector.

To remove the front video connector, complete the following steps:

- Step 1. Read the safety information that begins in [“Safety” on page v](#) and [“Installation guidelines” on page 33](#).
- Step 2. Turn off the server (see [“Turning off the server” on page 23](#)) and all attached peripheral devices. Disconnect all power cords; then, disconnect all external cables as necessary to replace the device.
- Step 3. Remove the server cover (see [“Removing the server top cover” on page 196](#)).
- Step 4. On a 3.5-inch server model, remove the front bezel (see [“Removing the bezel” on page 198](#)).
- Step 5. Loosen the screws that secure the video connector to the front of the chassis.

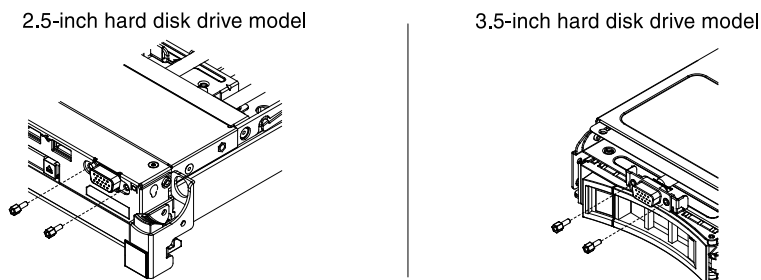


Figure 164. Loosen video connector screws

- Step 6. Disconnect the video cable from the connector on the system board and disengage the video cable from any cable clips on the chassis.
- Step 7. Remove the video connector and cable from the server.

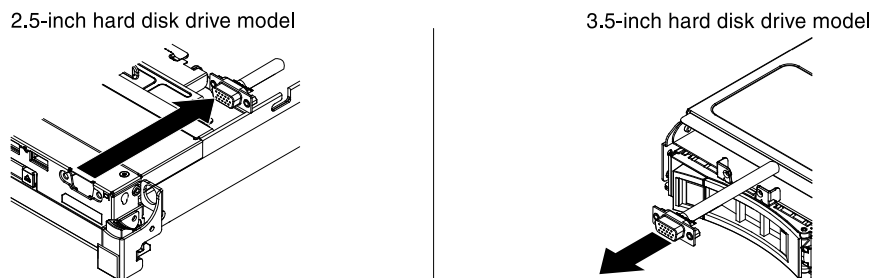


Figure 165. Front video connector removal

- Step 8. If you are instructed to return the video connector, follow all packaging instructions, and use any packaging materials for shipping that are supplied to you.

Replacing the front video connector

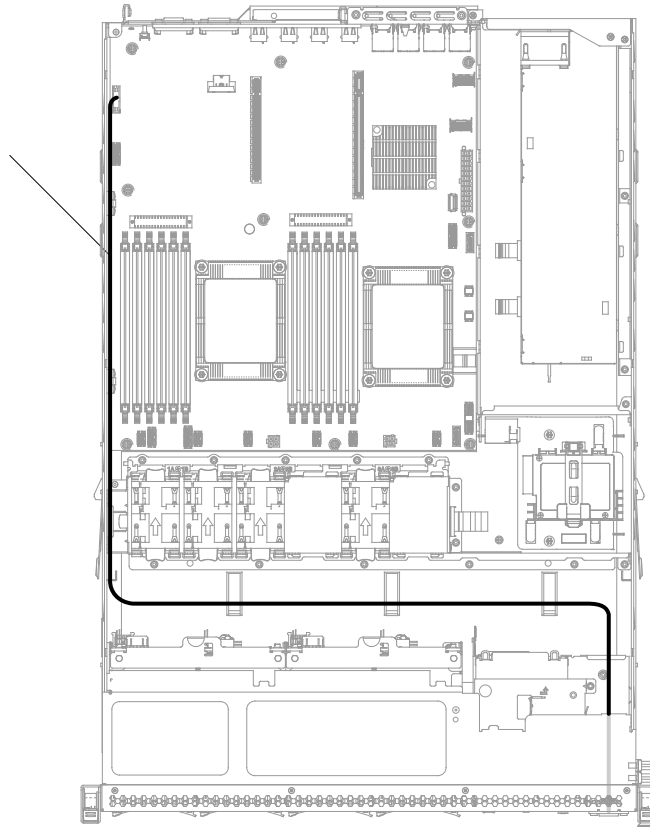
Use this information to replace the front video connector.

To replace the front video connector board, complete the following steps:

- Step 1. Read the safety information that begins in [“Safety” on page v](#) and [“Installation guidelines” on page 33](#).
- Step 2. Align the video connector with the slot on the server and install the two screws to secure it to the server.

Note: Refer to the illustrations below for 2.5-inch and 3.5-inch hard disk drive bays models respectively. Depending on your server model, align the video connector from inside or outside the server.

Video



Video

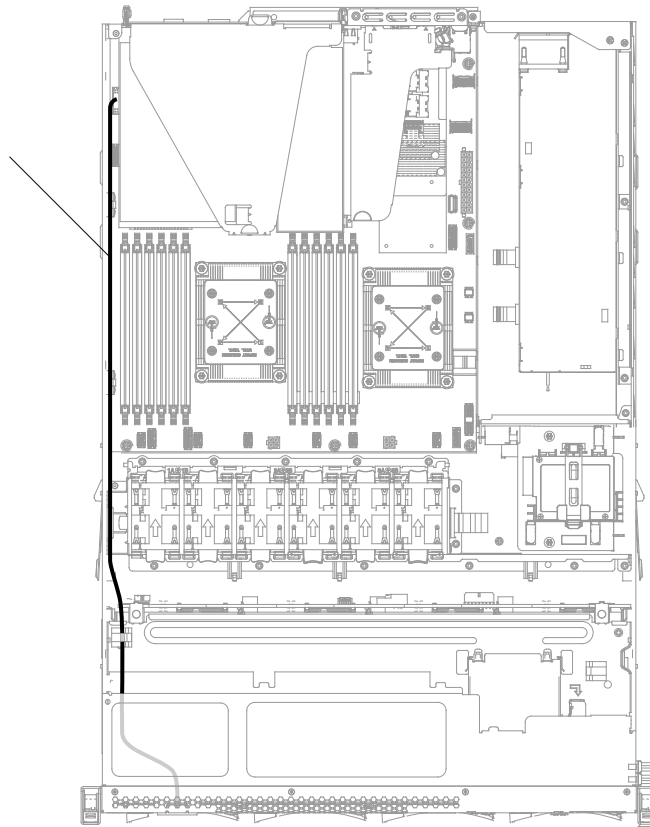


Figure 166. Video connector alignment

- Step 3. Connect the video cable to the connector on the system board. Route the cable as shown in the following illustration. Secure the cable with any cable clips on the chassis.
- Step 4. Reinstall the cover (see [“Replacing the server top cover” on page 197](#)).
- Step 5. Reconnect the power cords and any cables that you removed.
- Step 6. Turn on the peripheral devices and the server.

Removing the power interposer card assembly

Use this information to remove the power interposer card assembly.

To remove the power interposer card assembly, complete the following steps:

- Step 1. Read the safety information that begins in [“Safety” on page v](#) and [“Installation guidelines” on page 33](#).
- Step 2. Turn off the server (see [“Turning off the server” on page 23](#)) and all attached peripheral devices. Disconnect all power cords; then, disconnect all external cables as necessary to replace the device.
- Step 3. Remove the server cover (see [“Removing the server top cover” on page 196](#)).
- Step 4. Remove the air baffle (see [“Removing the air baffle” on page 200](#)).
- Step 5. If a ServeRAID adapter is installed in PCI riser-card assembly 2, remove PCI riser-card assembly 2 (see [“Removing a PCI riser-card assembly” on page 248](#)).
- Step 6. Remove the redundant power supply slightly out of the server to disconnect it from the power interposer card.
- Step 7. Disconnect all power cables from the connectors on the system board. Disengage the power cables from any cable clips.
- Step 8. If a RAID adapter battery is installed on the safety cover, disconnect the power cable from the ServeRAID adapter.
- Step 9. Loosen the screws and remove the safety cover from the top of the power interposer card.
- Step 10. Remove the screws that secure the power interposer card to the chassis.
- Step 11. Disconnect the power cable from the power interposer card; then, remove the power interposer card out of the server.

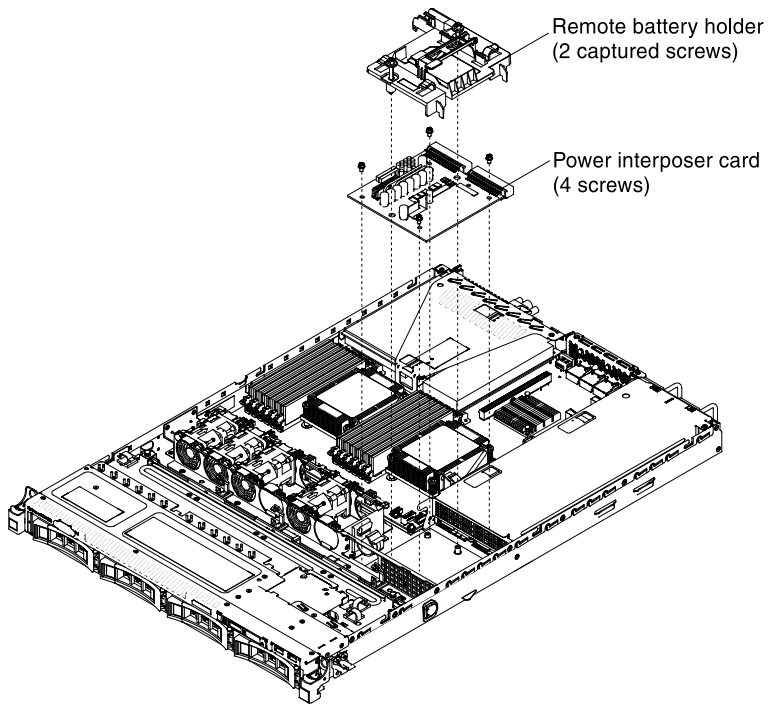


Figure 167. Power interposer card assembly removal

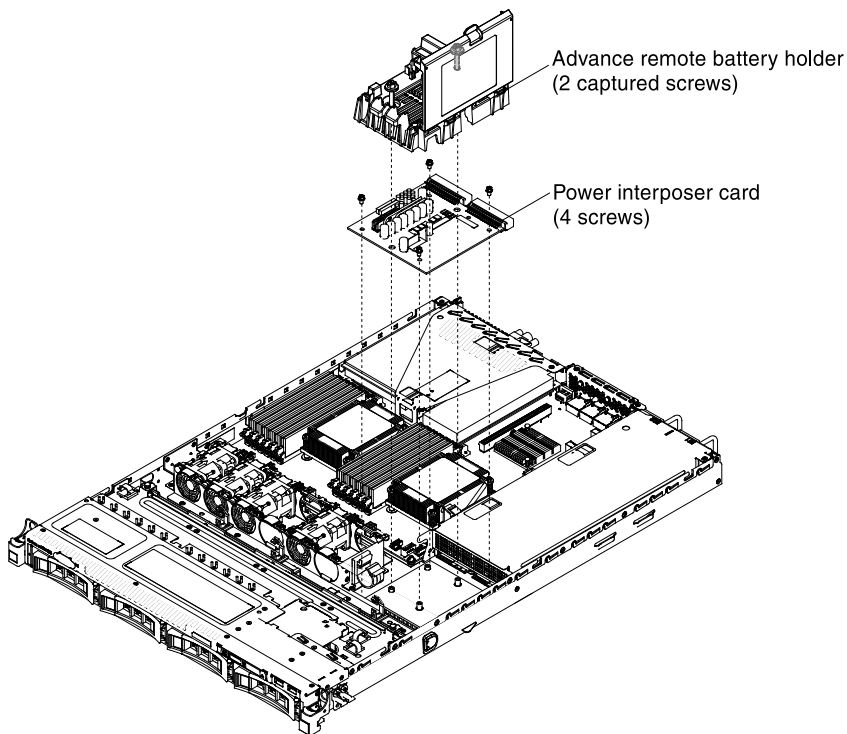


Figure 168. Power interposer card assembly removal (with advanced remote battery holder)

Step 12. If you are instructed to return the power interposer card, follow all of the packaging instructions, and use any packaging materials for shipping that are supplied to you.

Replacing the power interposer card assembly

Use this information to replace the power interposer card assembly.

To install the power interposer card assembly, complete the following steps:

- Step 1. Read the safety information that begins in [“Safety” on page v](#) and [“Installation guidelines” on page 33](#).
- Step 2. Reconnect the power cable to the power interposer card.
- Step 3. Align the screw holes on the power interposer card with the screw holes on the chassis; then, install the screws to secure the power interposer card to the chassis.

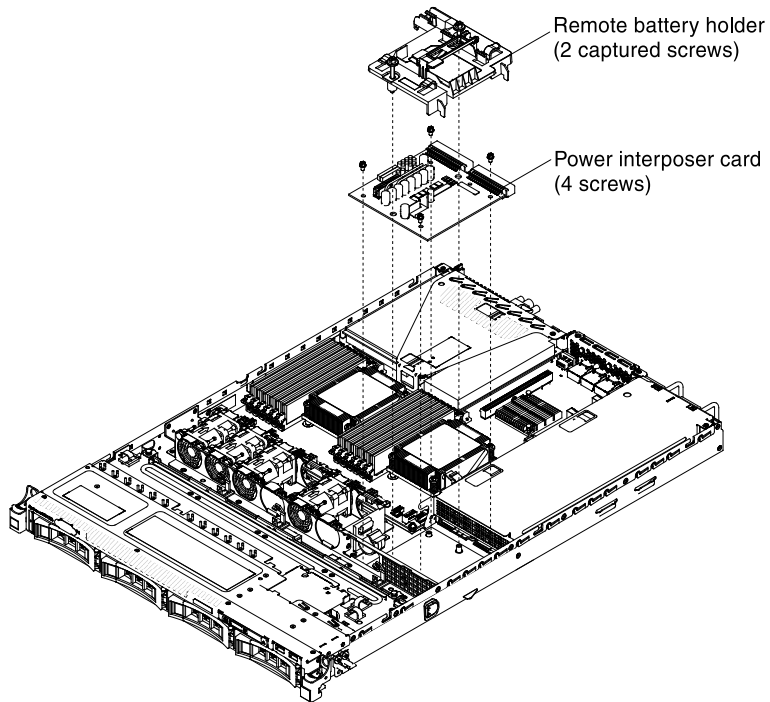


Figure 169. Power interposer card assembly installation

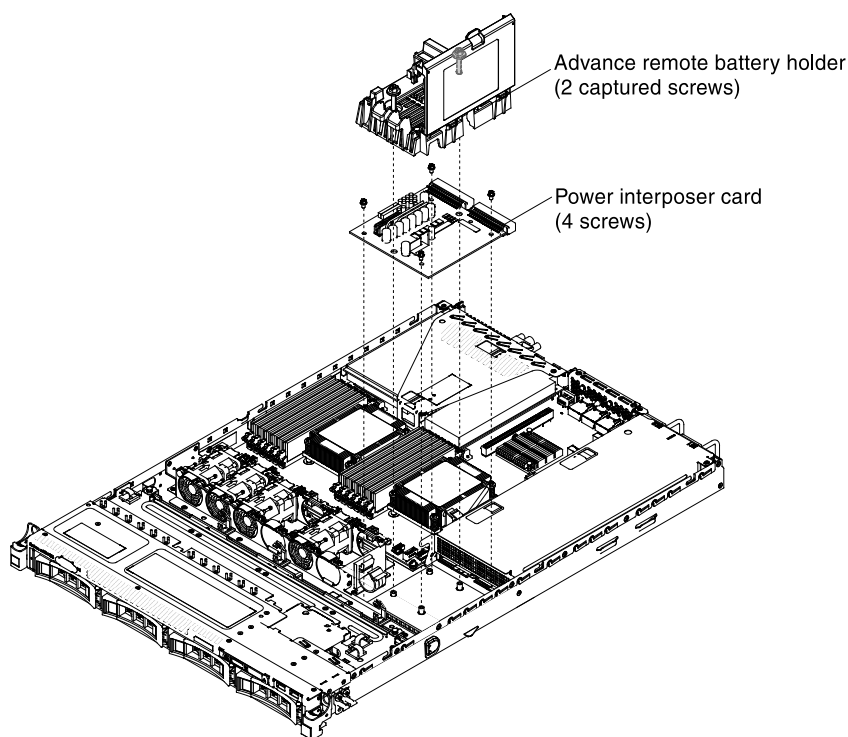


Figure 170. Power interposer card assembly installation (with advanced remote battery holder)

- Step 4. Orient the safety cover as shown in the above illustration and align the screws with the screw holes on the power interposer card. Tighten the screws to secure the safety cover on the power interposer card.
- Step 5. Reconnect the power cables to the connectors on the system board and secure the power cables with any cable clips on the chassis.
- Step 6. Reconnect the power cable from the RAID battery on the safety cover to the ServeRAID adapter, if you have removed it.
- Step 7. Reinstall PCI riser-card assembly 2, if you removed it (see [“Replacing a PCI riser-card assembly” on page 76](#)).
- Step 8. Reinstall the air baffle (see [“Replacing the air baffle” on page 200](#)).
- Step 9. Reinstall the cover (see [“Replacing the server top cover” on page 197](#)).
- Step 10. Reconnect the power cords and any cables that you removed.
- Step 11. Turn on the peripheral devices and the server.

Removing the hot-swap drive backplane

Use this information to remove the hot-swap drive backplane.

To remove the 2.5-inch hot-swap drive backplane, complete the following steps:

- Step 1. Read the safety information that begins in [“Safety” on page v](#) and [“Installation guidelines” on page 33](#).
- Step 2. Turn off the server (see [“Turning off the server” on page 23](#)) and all attached peripheral devices. Disconnect all power cords; then, disconnect all external cables as necessary to replace the device.
- Step 3. Remove the server cover (see [“Removing the server top cover” on page 196](#)).

Step 4. Pull the drives and filler panels out of the server slightly to disengage them from the drive backplane.

Step 5. Disconnect the configuration, power, and SAS signal cables from the backplane.

Note: You can also choose to disconnect the cables after removing the backplane, if that is easier for you.

Step 6. Lift the backplane up slightly and pull it out the server.

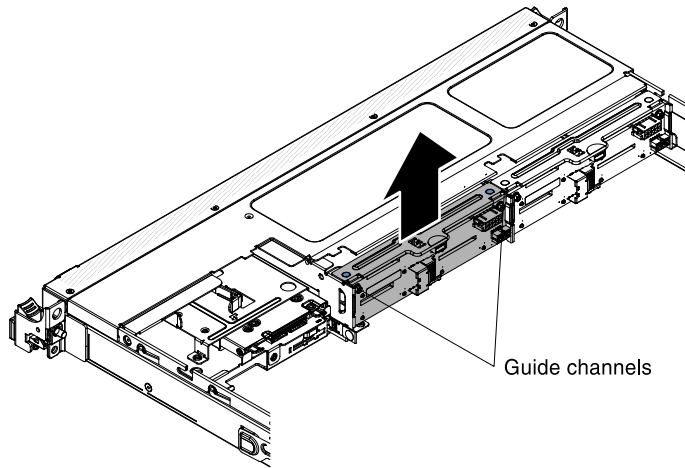


Figure 171. Hot-swap drive backplane removal

Step 7. If you are instructed to return the drive backplane, follow all packaging instructions, and use any packaging materials for shipping that are supplied to you.

Replacing the hot-swap drive backplane

Use this information to install the hot-swap drive backplane.

To install the replacement hot-swap drive backplane, complete the following steps:

1. Read the safety information that begins in [“Safety” on page v](#) and [“Installation guidelines” on page 33](#).
2. Align the sides of the drive backplane with the guide rails and lower the drive backplane into the server.

Note: You can reconnect the cables to the drive backplane before installing the backplane onto the cage or you can connect the cables after you install the backplane, if that is easier for you.

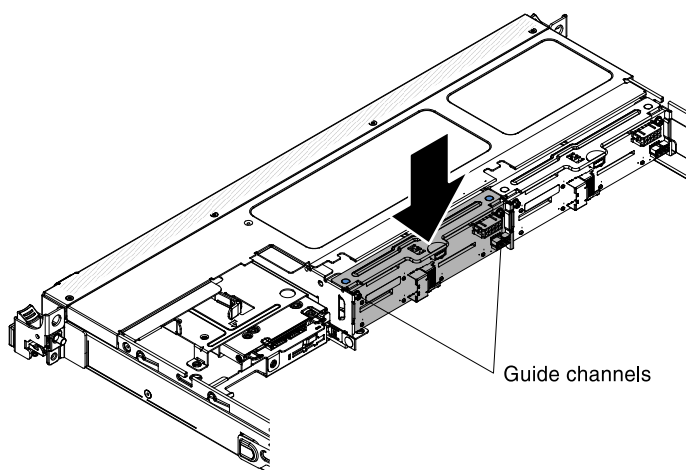


Figure 172. Hot-swap drive backplane installation

3. Reconnect the configuration, power, and SAS signal cables to the connectors on the backplane. Route the cables as shown in the following illustration.
4. Reinstall the drives and filler panels.
5. Reinstall the cover (see [“Replacing the server top cover” on page 197](#)).
6. Reconnect the power cords and any cables that you removed.
7. Turn on the peripheral devices and the server.

Removing the simple-swap SATA drive backplate assembly

Use this information to remove the simple-swap drive SATA drive backplate assembly.

To remove the simple-swap SATA drive backplate assembly, complete the following steps:

- Step 1. Read the safety information that begins in [“Safety” on page v](#) and [“Installation guidelines” on page 33](#).
- Step 2. Turn off the server (see [“Turning off the server” on page 23](#)) and all attached peripheral devices. Disconnect all power cords; then, disconnect all external cables as necessary to replace the device.
- Step 3. Remove the server cover (see [“Removing the server top cover” on page 196](#)).
- Step 4. Pull the drive and filler panels out of the server slightly to disengage them from the backplate assembly.
- Step 5. Disconnect the cables. Note the routing
 1. Disconnect the signal cable from the connector on the system board.
 2. Disconnect the power cable from the power supply or the power interposer card.
- Step 6. Pull the retention latch on top of the drive backplane cage and lift the backplate assembly up slightly and pull it out; then, rotate it backward out of the tabs at the bottom of the drive cage and remove the backplate assembly from the server.

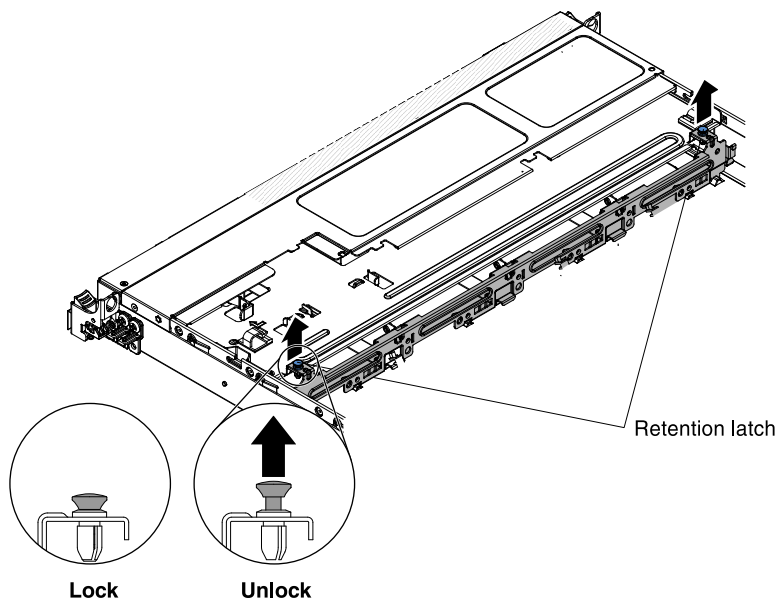


Figure 173. Simple-swap SATA drive backplate assembly removal

Step 7. If you are instructed to return the backplate assembly, follow all packaging instructions, and use any packaging materials for shipping that are supplied to you.

Replacing the simple-swap SATA drive backplate assembly

Use this information to replace the simple-swap drive SATA drive backplate assembly.

To install the replacement simple-swap SATA drive and backplate assembly, complete the following steps:

Note: The simple-swap SATA drive and backplate assembly must be installed in the backplane slot closest to the information panel and the SATA drive must be installed in the drive-bay closest to the information panel. The backplate assembly cable connects to the CD/DVD-ROM drive connector on the system board.

1. Read the safety information that begins in [“Safety” on page v](#) and [“Installation guidelines” on page 33](#).
2. Align the tabs on the bottom of the drive backplate with the backplate slots on the bottom of the backplane cage.

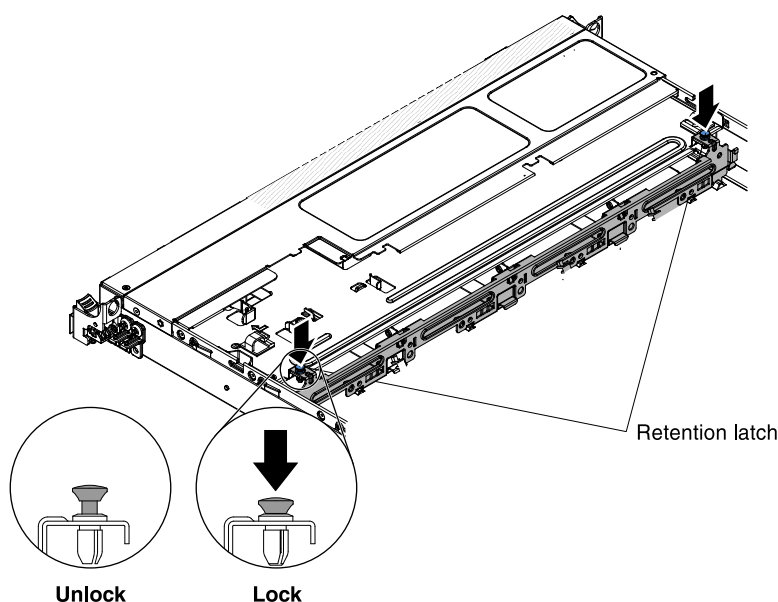


Figure 174. Simple-swap SATA drive backplate assembly installation

3. Insert the drive backplate tabs into the slots on the bottom of the backplate cage and push down the retention latch on top of the drive cage; then, rotate the drive backplate assembly forward until the backplate is latched.
4. Reinstall the drive and filler panel and plastic drive-bay spacer.
5. Install the cover (see [“Replacing the server top cover” on page 197](#)).
6. Reconnect the power cords and any cables that you removed.
7. Turn on the peripheral devices and the server.

Removing and replacing Tier 2 CRUs

You may install a Tier 2 CRU yourself or request Lenovo to install it, at no additional charge, under the type of warranty service that is designated for your server.

The illustrations in this document might differ slightly from your hardware.

Removing a microprocessor and heat sink

Use this information to remove a microprocessor and heat sink.

Attention:

- Be extremely careful, the pins on the socket are fragile. Any damage to the pins may require replacing the system board.
- Do not allow the thermal grease on the microprocessor and heat sink to come in contact with anything.
- Removing the heat sink from the microprocessor destroys the even distribution of the thermal grease and requires replacing the thermal grease.
- Do not touch the microprocessor contacts; handle the microprocessor by the edges only. Contaminants on the microprocessor contacts, such as oil from your skin, can cause connection failures between the contacts and the socket.

- Use the microprocessor installation tool that came with the new microprocessor to remove and install the microprocessor. Failure to use the microprocessor tool may cause damage to the pins on the socket. Any damage to the pins may require replacing the system board.

To remove a microprocessor and heat sink, complete the following steps:

- Step 1. Read the safety information that begins in [“Safety” on page v](#) and [“Installation guidelines” on page 33](#).
- Step 2. Turn off the server (see [“Turning off the server” on page 23](#)) and all attached peripheral devices. Disconnect all power cords; then, disconnect all external cables as necessary to replace the device.
- Step 3. Remove the server cover (see [“Removing the server top cover” on page 196](#)).
- Step 4. Disconnect any cables that impede access to the heat sink and microprocessor.
- Step 5. Remove the air baffle (see [“Removing the air baffle” on page 200](#)).
- Step 6. If you are removing microprocessor 1, remove the memory module from DIMM connector 5. If you are removing microprocessor 2, remove the memory module from DIMM connector 12. See [“Removing a memory module” on page 222](#) for instructions.
- Step 7. Loosen the screws on the heat sink with a screwdriver, alternating among the screws until they are loose. If possible, each screw should be rotated two full rotations at a time.
- Step 8. Gently pull the heat sink off the microprocessor. Lift the heat sink out of the server. If the heat sink sticks to the microprocessor, slightly twist the heat sink back and forth to break the seal. After removal, place the heat sink on its side on a clean, flat surface.

Note: Removing the heat sink from the microprocessor destroys the even distribution of the thermal grease and requires replacing the thermal grease.

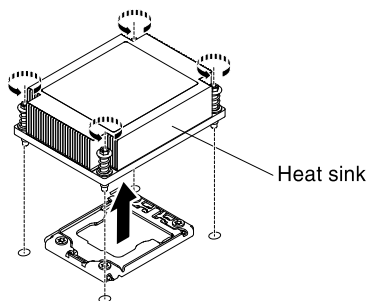


Figure 175. Heat sink removal

- Step 9. Release the microprocessor retention latch by pressing down on the end, moving it to the side, and releasing it to the open (up) position.
- Step 10. Open the microprocessor bracket frame by lifting up the tab on the top edge. Keep the bracket frame in the open position.

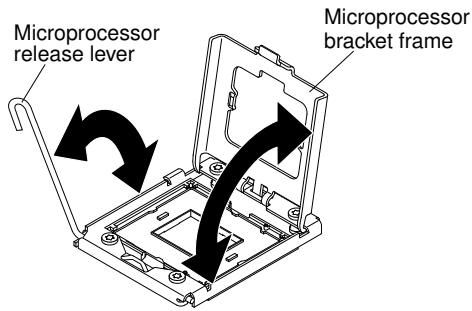


Figure 176. Open the microprocessor bracket frame

Step 11. Align the holes on the microprocessor installation tool with the screws on the microprocessor bracket, then place the microprocessor installation tool down over the microprocessor **1**. Twist the handle clockwise **2** to attach the tool to the microprocessor.

Note: You can pick up or release the microprocessor by twisting the microprocessor installation tool handle.

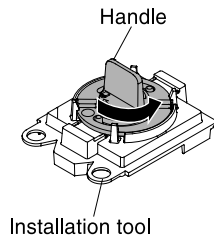


Figure 177. Microprocessor tool attachment

Step 12. Carefully lift the microprocessor straight up and out of the socket, and place it on a static-protective surface. Remove the microprocessor from the installation tool by twisting the handle counterclockwise.

Attention: Do not touch the pins on the socket. The pins are fragile. Any damage to the pins may require replacing the system board.

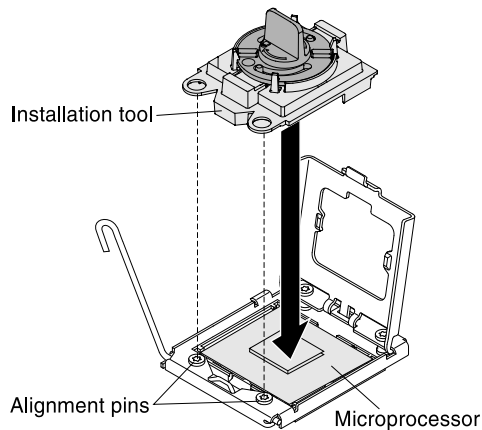


Figure 178. Microprocessor removal

Step 13. If you are instructed to return the microprocessor, follow all packaging instructions, and use any packaging materials for shipping that are supplied to you. Do not return the microprocessor installation tool.

Replacing a microprocessor and heat sink

Use this information to install a microprocessor and heat sink.

Attention: When you handle static-sensitive devices, take precautions to avoid damage from static electricity. For details about handling these devices, see [“Handling static-sensitive devices” on page 35](#).

Notes:

- If your server comes with one Intel Pentium 1400 series microprocessor, the second microprocessor socket is not used. The server supports only one Intel Pentium microprocessor. If you plan to install two Intel Xeon microprocessors in the server, you must first remove the Intel Pentium microprocessor that came with the server.
- See [“Installing an additional microprocessor and heat sink” on page 53](#) for notes and other information that you must consider when you install a microprocessor.
- Be extremely careful, the pins on the socket are fragile. Any damage to the pins may require replacing the system board.
- Use the microprocessor installation tool that came with the new microprocessor to remove the microprocessor from the server. Failure to use the microprocessor tool may cause damage to the pins on the socket. Any damage to the pins may require replacing the system board.

To install an additional microprocessor and heat sink, complete the following steps:

1. Read the safety information that begins in [“Safety” on page v](#) and [“Installation guidelines” on page 33](#).
2. Remove the socket cover from the microprocessor socket, if it is installed.

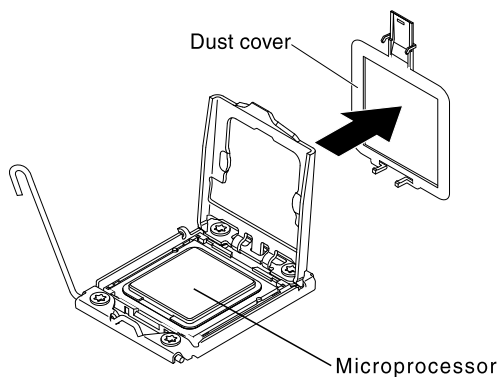


Figure 179. Microprocessor socket cover removal

3. If the microprocessor is preinstalled in the installation tool, release the sides of the cover and remove the cover from the installation tool; then, continue to step 5.
4. Install the microprocessor in the microprocessor installation tool:
 - a. Remove the static-protective bag, and the foam surrounding the bag, from the box.
 - b. Touch the static-protective package that contains the new microprocessor to any *unpainted* metal surface on the server; then, remove the microprocessor from the package.

Attention:

- Do not touch the microprocessor contacts; handle the microprocessor by the edges only. Contaminants on the microprocessor contacts, such as oil from your skin, can cause connection failures between the contacts and the socket.
 - Handle the microprocessor carefully. Dropping the microprocessor during installation or removal can damage the contacts.
 - Do not use excessive force when you press the microprocessor into the socket.
 - Make sure that the microprocessor is oriented and aligned and positioned in the socket before you try to close the lever.
- c. If there is a plastic protective cover on the bottom of the microprocessor, carefully remove it.

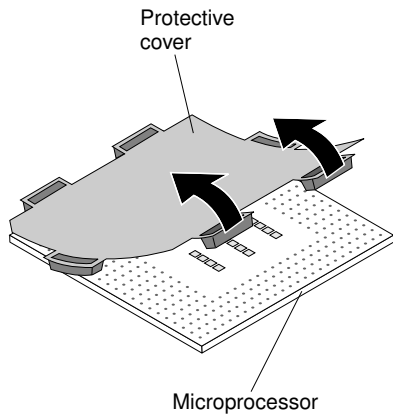


Figure 180. Plastic protective cover removal

- d. Twist the handle of the microprocessor installation tool counterclockwise so that it is in the open position.
- e. Align the triangle alignment mark on the microprocessor with the triangle alignment mark on the microprocessor installation tool, then place the microprocessor on the bottom of the tool so that the tool can grasp the microprocessor correctly onto the bottom of the installation tool.
- f. Align the holes on the microprocessor installation tool with the screws on the microprocessor bracket, then place the microprocessor installation tool down over the microprocessor **1**. Twist the handle clockwise **2** to attach the tool to the microprocessor.

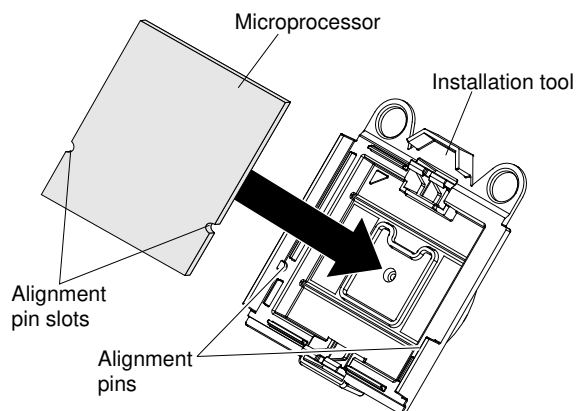


Figure 181. Installation tool attachment

- g. Twist the handle of the installation tool clockwise to secure the microprocessor in the tool.

Note: You can pick up or release the microprocessor by twisting the microprocessor installation tool handle clockwise.

5. Install the microprocessor:

- a. Align the holes on the microprocessor installation tool with the screws on the microprocessor bracket, then place the microprocessor installation tool down over the microprocessor **1**. Twist the handle clockwise **2** to attach the tool to the microprocessor.

Note: The microprocessor fits only one way on the socket.

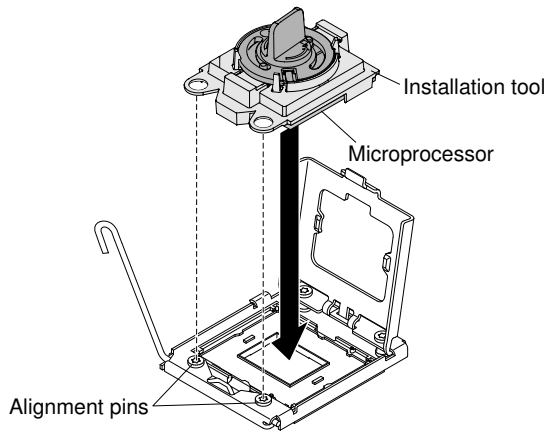


Figure 182. Installation tool alignment

- b. Twist the handle on the microprocessor tool counterclockwise to insert the microprocessor into the socket.

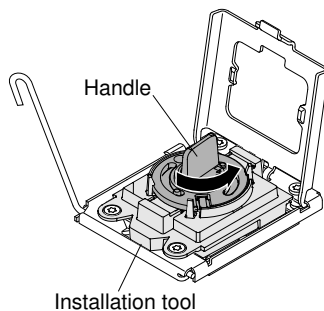


Figure 183. Microprocessor installation

Attention:

- Do not press the microprocessor into the socket.
 - Do not touch exposed pins of the microprocessor socket. The pins on the socket are fragile. Any damage to the pins may require replacing the system board.
 - Make sure that the microprocessor is oriented and aligned correctly in the socket before you try to close the microprocessor retainer.
 - Do not touch the thermal material on the bottom of the heat sink or on top of the microprocessor. Touching the thermal material will contaminate it and destroys its even distribution. If the thermal material on the microprocessor or heat sink becomes contaminated, you must replace the thermal grease.
- c. Take off the microprocessor installation tool from the microprocessor socket and close the microprocessor bracket frame.

- d. Carefully close the microprocessor release lever to the closed position to secure the microprocessor in the socket.
6. Install the heat sink that comes with the microprocessor:

Attention:

- Do not set down the heat sink after you remove the plastic cover.
 - Do not touch the thermal material on the bottom of the heat sink. Touching the thermal material will contaminate it. If the thermal material on the microprocessor or heat sink becomes contaminated, contact your service technician.
- a. Remove the plastic protective cover from the bottom of the heat sink.

Attention: Do not touch the thermal grease on the bottom of the heat sink after you remove the plastic cover. Touching the thermal grease will contaminate it. See [“Thermal grease” on page 277](#) for more information.

- b. Align the screws on the heat sink with the screw holes on the system board; then, place the heat sink on the microprocessor with the thermal-grease side down.

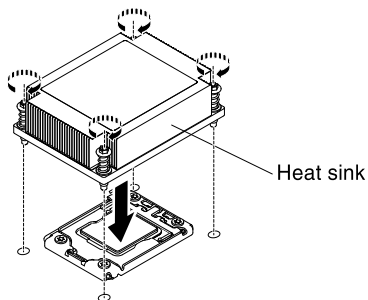


Figure 184. Heat sink installation

- c. Press firmly on the captive screws and tighten them with a screwdriver. The follow illustration shows the sequence in tightening the screws, which is also shown on top of the heat sink. Begin with the screw labeled as "1", then "2", "3" and finally "4". If possible, each screw should be rotated two full rotations at a time. Repeat until the screws are tight. Do not overtighten the screws by using excessive force. If you are using a torque wrench, tighten the screws to 8.5 Newton-meters (Nm) to 13 Nm (6.3 foot-pounds to 9.6 foot-pounds).

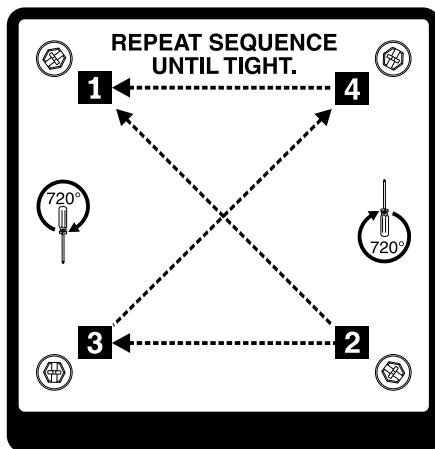


Figure 185. Tighten the captive screws

7. If you installed the second microprocessor, install the two fans on Fan connector 4 and Fan connector 6 of the system board respectively (see [“Replacing a fan” on page 221](#)).
8. Reinstall the memory module that you have removed (see [“Replacing a memory module” on page 222](#)).
9. Reinstall the air baffle (see [“Replacing the air baffle” on page 200](#)).
10. Reconnect any cables that you have disconnected from the adapters or system board.

Thermal grease

The thermal grease must be replaced whenever the heat sink has been removed from the top of the microprocessor and is going to be reused or when debris is found in the grease.

When you are installing the heat sink on the same microprocessor that is was removed from, make sure that the following requirements are met:

- The thermal grease on the heat sink and microprocessor is not contaminated.
- Additional thermal grease is not added to the existing thermal grease on the heat sink and microprocessor.

Notes:

- Read the Safety information in [“Safety” on page v](#).
- Read the [“Installation guidelines” on page 33](#).
- Read [“Handling static-sensitive devices” on page 35](#).

To replace damaged or contaminated thermal grease on the microprocessor and heat sink, complete the following steps:

- Step 1. Place the heat sink on a clean work surface.
- Step 2. Remove the cleaning pad from its package and unfold it completely.
- Step 3. Use the cleaning pad to wipe the thermal grease from the bottom of the heat sink.

Note: Make sure that all of the thermal grease is removed.

- Step 4. Use a clean area of the cleaning pad to wipe the thermal grease from the microprocessor; then, dispose of the cleaning pad after all of the thermal grease is removed.

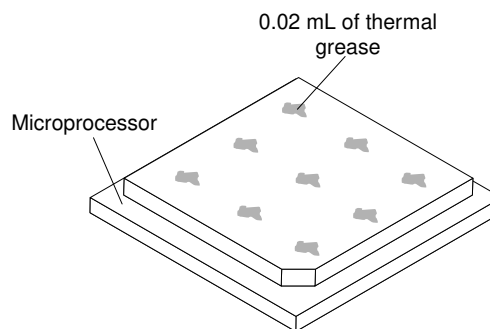


Figure 186. Thermal grease distribution

- Step 5. Use the thermal-grease syringe to place 9 uniformly spaced dots of 0.02 mL each on the top of the microprocessor. The outermost dots must be within approximately 5 mm of the edge of the microprocessor; this is to ensure uniform distribution of the grease.

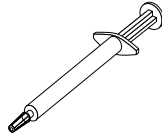


Figure 187. Syringe

Note: If the grease is properly applied, approximately half of the grease will remain in the syringe.

- Step 6. Install the heat sink onto the microprocessor as described in [“Installing an additional microprocessor and heat sink” on page 53](#).

Removing the system board

Use this information to remove the system board.

Notes:

1. Before you replace the system board, make sure that you backup any features on demand (FoD) keys that were enabled. Remember to re-enable the features on demand (FoD) keys after installing the new system board. For more information on Features on Demand (FoD), including instructions for automating the activation and installation of the activation key by using ToolsCenter or Systems Director, see the *Features on Demand User's Guide* at <https://fod.lenovo.com/lkms> under the Help section.
2. When you replace the system board, you must either update the server with the latest firmware or restore the pre-existing firmware from a diskette or CD image. Make sure that you have the latest firmware or a copy of the pre-existing firmware before you proceed.

Before you remove the system board from the server, take the following steps to save data, firmware, and configuration data:

- Record all system configuration information, such as IMM IP addresses, vital product data, and the machine type, model number, serial number, Universally Unique Identifier, and asset tag of the server.
- Using the Advanced Settings Utility (ASU), save the system configuration to external media.
- Save the system-event log to external media.

Note: When you replace the system board, you must either update the server with the latest firmware or restore the pre-existing firmware that the customer provides on a diskette or CD image. Make sure that you have the latest firmware or a copy of the pre-existing firmware before you proceed.

To remove the system board, complete the following steps:

- Step 1. Read the safety information that begins in [“Safety” on page v](#) and [“Installation guidelines” on page 33](#).
- Step 2. Turn off the server (see [“Turning off the server” on page 23](#)) and all attached peripheral devices. Disconnect all power cords; then, disconnect all external cables as necessary to replace the device.
- Step 3. Remove the server cover (see [“Removing the server top cover” on page 196](#)).
- Step 4. Remove the air baffle (see [“Removing the air baffle” on page 200](#)).
- Step 5. Remove all PCI riser-card assemblies with the adapters in them (see [“Removing a PCI riser-card assembly” on page 248](#)).
- Step 6. Disconnect all cables from the system board. Make a list of each cable as you disconnect it; you can then use this as a checklist when you install the new system board.

Attention: Disengage all latches, release tabs or locks on cable connectors when you disconnect all cables from the system board. Refer to [“Internal cable routing” on page 169](#) for more information. Failing to release them before removing the cables will damage the cable sockets on the system board. The cable sockets on the system board are fragile. Any damage to the cable sockets may require replacing the system board.

Step 7. Remove the DIMMs from the system board and set them aside on a static-protective surface for reinstallation (see [“Removing a memory module” on page 222](#)).

Note: Make a note of the location of each DIMM as you remove it, so that you can later reinstall it in the same connector.

Step 8. Remove all heat sinks and microprocessors, and set them aside on a static-protective surface for reinstallation (see [“Removing a microprocessor and heat sink” on page 270](#)).

Notes:

1. Be sure to keep the heat sink and microprocessor from each microprocessor socket of the old system board together so that you can install them on the new system board together. For example, when you remove the heat sink and microprocessor from microprocessor socket 1 of the old system board, install them both on the same socket on the new system board.
2. Use an alcohol wipe to remove any thermal grease from the tabs on the microprocessor bracket frame on the old system board.

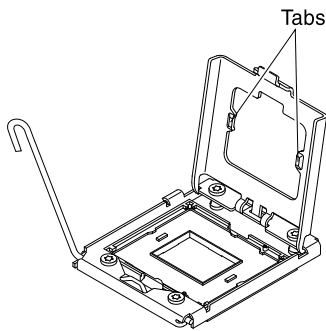


Figure 188. Use an alcohol wipe to remove any thermal grease from the tabs

3. Always use microprocessor installation tool to remove a microprocessor. Failing to use microprocessor installation tool may damage the microprocessor sockets on the system board. Any damage to the microprocessor sockets may require replacing the system board.
- Step 9. Remove the socket covers from the microprocessor sockets on the new system board and place them on the microprocessor sockets of the old system board that you are removing.

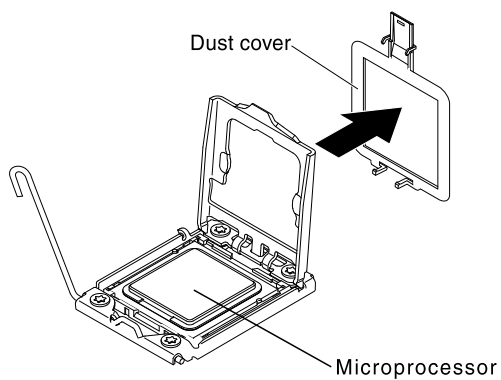


Figure 189. Socket cover removal

Step 10. Loosen the nine screws that secure the system board to the chassis.

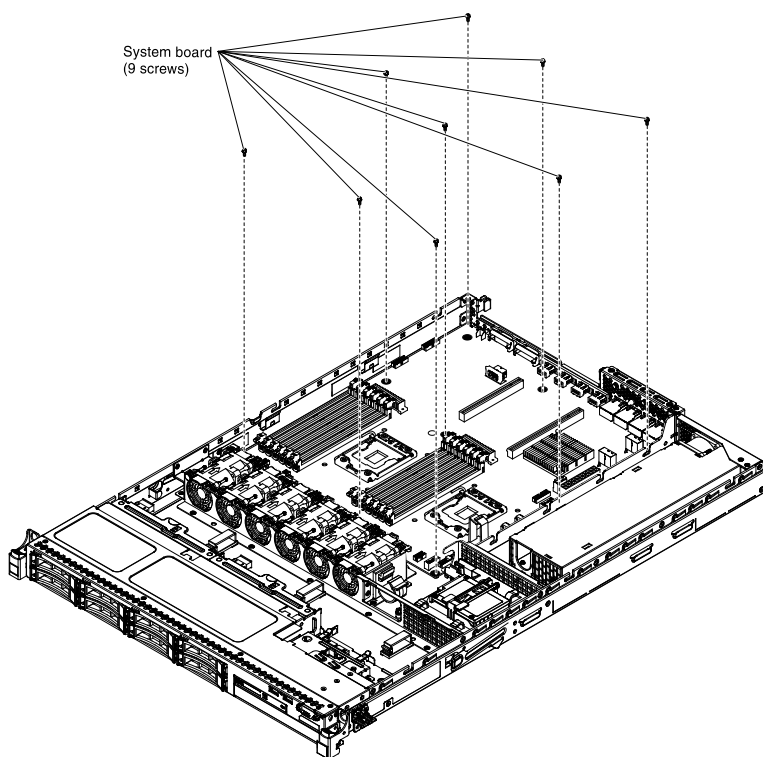


Figure 190. Loosen screws

Step 11. Slightly lift the system board at the side that is near the CPU1_PWR to create a small angle of elevation between the system board and chassis.

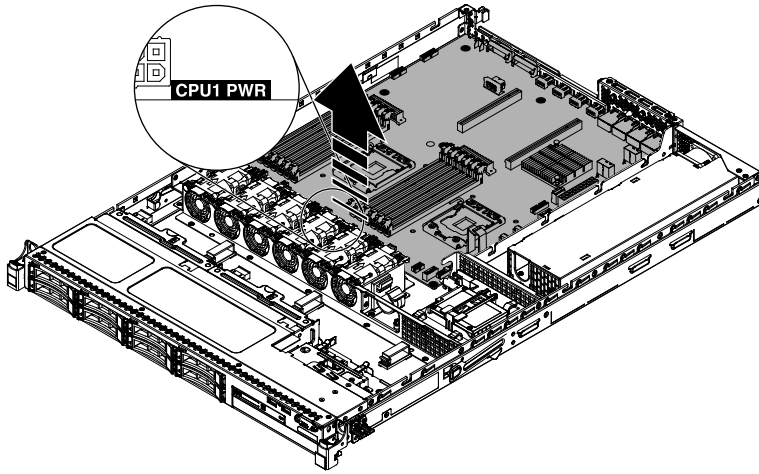


Figure 191. Tilt the system board

Step 12. Gently push the external input/output connectors toward to the fan cage as much as possible.

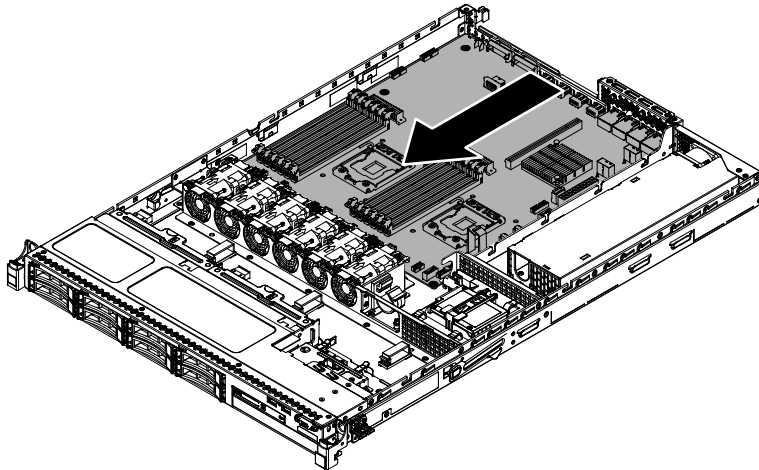


Figure 192. Push the system board toward to the fan cage

Step 13. Grasp the system board on both the cable clip near the microprocessor 2 and PCI riser card connector 1. Then, slightly lift the system board to create a small angle of elevation by leaning the edge against the partition of the power supply between the system board and chassis.

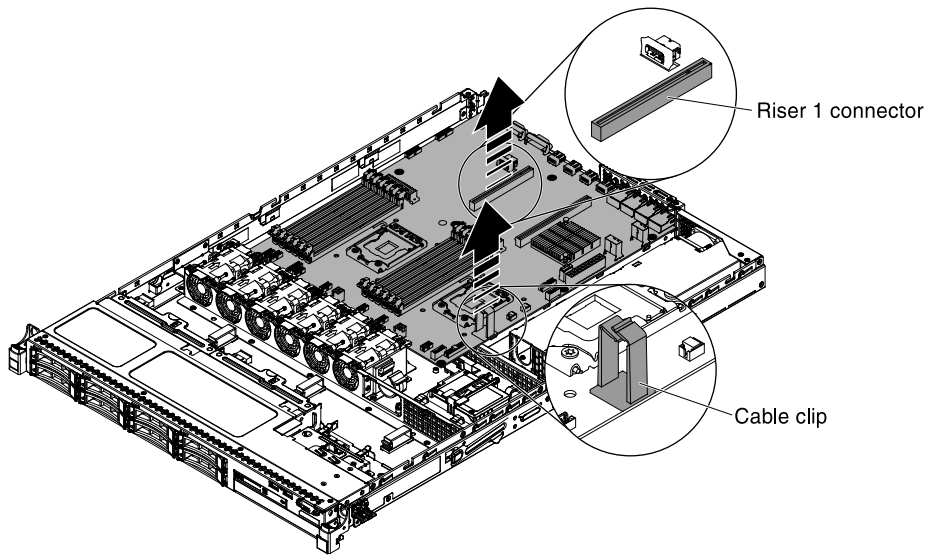


Figure 193. Lift the system board slightly

Step 14. Carefully lift up the system board by placing both hands diagonally and remove it from the chassis. Be careful to avoid damage any surrounding components or bend the pin inside the microprocessor socket.

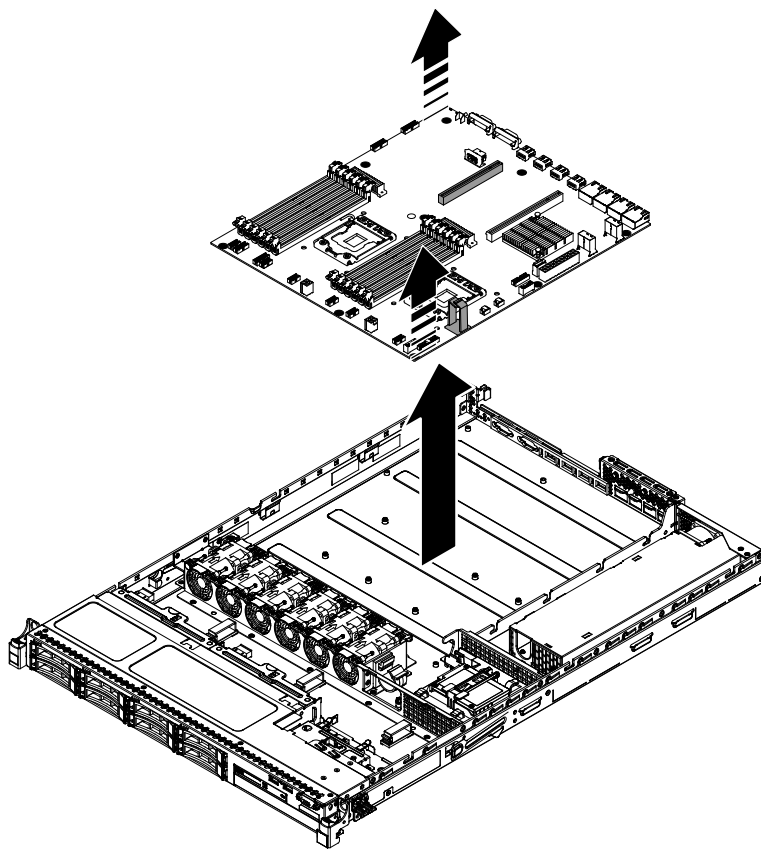


Figure 194. System board removal

Step 15. If you are instructed to return the system board, follow all packaging instructions, and use any packaging materials for shipping that are supplied to you.

Attention: Make sure to place the socket covers for the microprocessor sockets on the system board before you return the old system board.

Replacing the system board

Use this information to install the system board.

Notes:

1. Before you replace the system board, make sure that you backup any features on demand (FoD) keys that were enabled. Remember to re-enable the features on demand (FoD) keys after installing the new system board. For more information on Features on Demand (FoD), including instructions for automating the activation and installation of the activation key by using ToolsCenter or Systems Director, see the *Features on Demand User's Guide* at <https://fod.lenovo.com/lkms> under the Help section.
2. When you reassemble the components in the server, be sure to route all cables carefully so that they are not exposed to excessive pressure and so that they do not get pinched when you reinstall the system board. In addition, make sure the cables are inserted into the relevant cable clips.
3. When you replace the system board, you must either update the server with the latest firmware or restore the pre-existing firmware that the customer provides on a diskette or CD image. Make sure that you have the latest firmware or a copy of the pre-existing firmware before you proceed. See “[Updating the firmware](#)” on page 81, “[Updating the Universal Unique Identifier \(UUID\)](#)” on page 101, and “[Updating the DMI/SMBIOS data](#)” on page 104 for more information.

Important: Some cluster solutions require specific code levels or coordinated code updates. If the device is part of a cluster solution, verify that the latest level of code is supported for the cluster solution before you update the code

To install the system board, complete the following steps:

- Step 1. Read the safety information that begins in “[Safety](#)” on page v and “[Installation guidelines](#)” on page 33.
- Step 2. Slide the system board into the chassis with a small angle toward to the hard disk bays. Make sure the system board is seated into the chassis flat and the no standoff is blocking the system board.

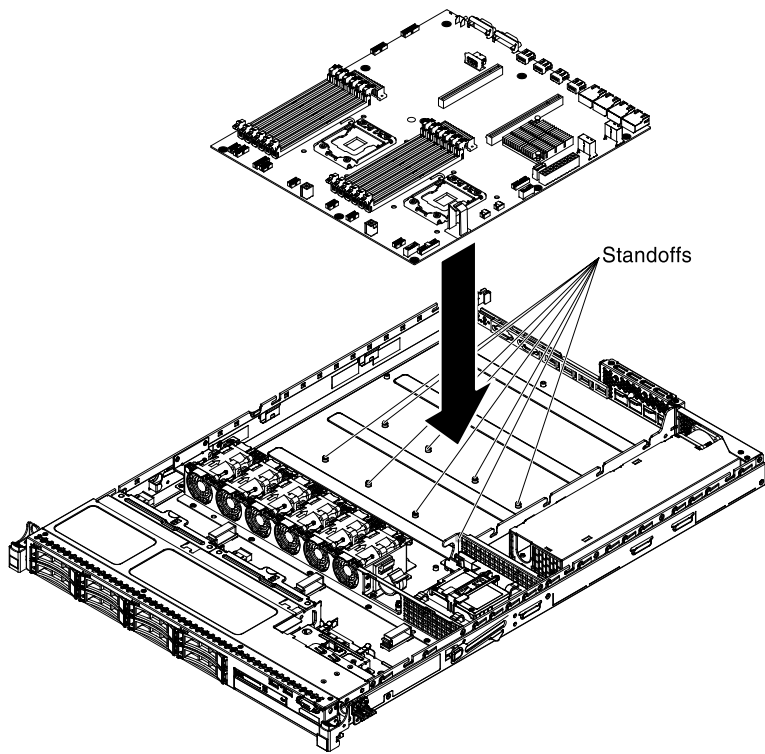


Figure 195. System board alignment

- Step 3. Push the edge of the external input/output connectors of the system board away from the hard disk bays.

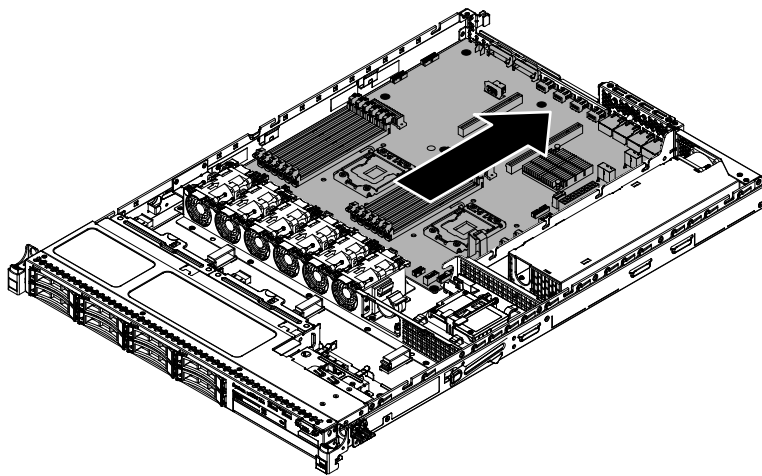


Figure 196. System board alignment

- Step 4. Make sure the eight standoffs are aligned with the corresponding captive screw holes on the system board.

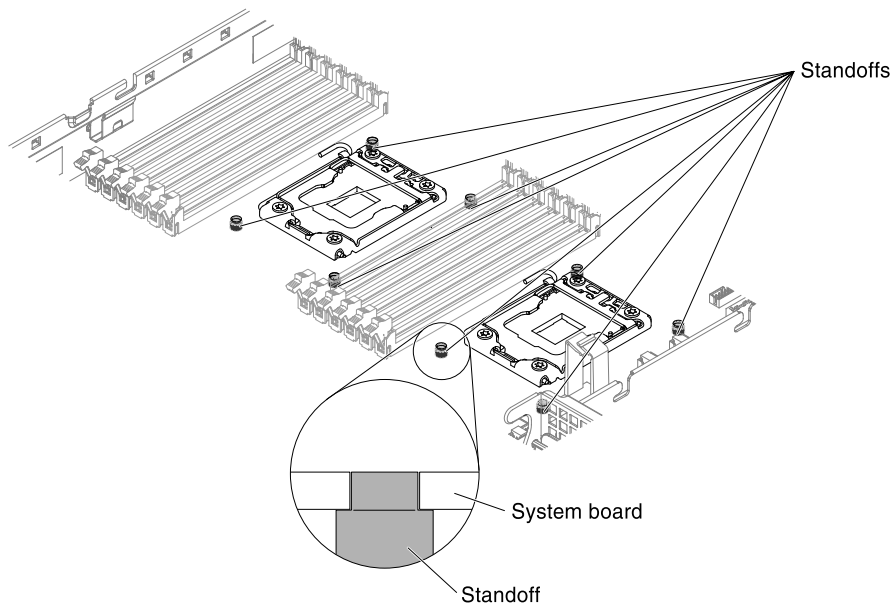


Figure 197. Standoffs and captive screw holes alignment

- Step 5. Align the screw holes on the system board with the screw holes on the chassis and install the screws to secure the system board to the chassis.

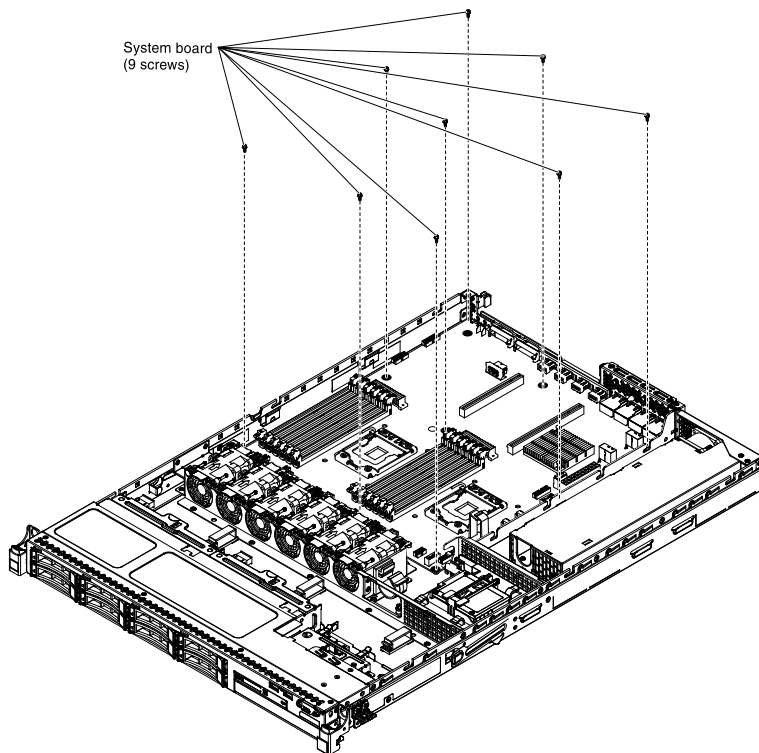


Figure 198. System board installation

- Step 6. Reconnect the cables that you disconnected earlier to the system board.
 Step 7. Reinstall the DIMMs onto the system board (see [“Replacing a memory module”](#) on page 222).

- Step 8. Reinstall the microprocessors and heat sinks (see [“Replacing a microprocessor and heat sink” on page 273](#)).
- Step 9. Install the socket covers that you removed from the microprocessor sockets on the new system board and place them on the microprocessor sockets of the old system board, if you have not done so.
- Step 10. Reconnect the SAS signal cables and remote RAID battery cable to the ServeRAID adapter, if you removed them earlier.
- Step 11. Reinstall the PCI riser-card assemblies with the adapters, if any were installed (see [“Replacing a PCI riser-card assembly” on page 76](#)).
- Step 12. Reinstall the air baffle (see [“Replacing the air baffle” on page 200](#)).
- Step 13. Reinstall the cover (see [“Replacing the server top cover” on page 197](#)).
- Step 14. Reconnect the power cords and any cables that you removed.
- Step 15. Turn on the peripheral devices and the server.

Important: Perform the following updates:

- Either update the server with the latest RAID firmware or restore the pre-existing firmware from a diskette or CD image.
- Update the UUID (see [“Updating the Universal Unique Identifier \(UUID\)” on page 101](#)).
- Update the DMI/SMBIOS (see [“Updating the DMI/SMBIOS data” on page 104](#)).
- If you purchased a Feature on Demand, make sure that you reactivate the feature using the instructions in the Feature on Demand documentation.

Appendix A. Integrated Management Module II (IMM2) error messages

This section details the Integrated Management Module II (IMM2) error messages.

When a hardware event is detected by the Integrated Management Module II (IMM2) on the server, the Integrated Management Module II (IMM2) logs that event in the system-event log in the server.

For each event code, the following fields are displayed:

Event identifier

A hexadecimal identifier that uniquely identifies an event or class of events. In this documentation, the event identifiers are prefixed with 0x and followed by eight characters.

Event description

The logged message string that appears for an event. When the event string is displayed in the event log, information such as a specific component is displayed. In this documentation, that additional information appears as variables, such as [arg1] or [arg2].

Explanation

Provides additional information to explain why the event occurred.

Severity

An indication of the level of concern for the condition. In the system-event log, severity is abbreviated to the first character. The following severities can be displayed.

Info:

The event was recorded for audit purposes, usually a user action or a change of states that is normal behavior.

Warning:

The event is not as severe as an error, but if possible, the condition should be corrected before it becomes an error. It might also be a condition that requires additional monitoring or maintenance.

Error:

The event is a failure or critical condition that impairs service or an expected function.

Alert Category

Similar events are grouped together in categories. The alert category is in the following format:

severity - device

severity is one of the following severity levels:

- **Critical:** A key component in the server is no longer functioning.
- **Warning:** The event might progress to a critical level.
- **System:** The event is the result of a system error or a configuration change.

device is the specific device in the server that caused the event to be generated.

Serviceable

Specifies whether user action is required to correct the problem.

CIM Information

Provides the prefix of the message ID and the sequence number that is used by the CIM message registry.

SNMP Trap ID

The SNMP trap ID that is found in the SNMP alert management information base (MIB).

Automatically contact Service

If this field is set to **Yes**, and you have enabled Electronic Service Agent (ESA), IBM Support will be notified automatically if the event is generated.

While you wait for IBM Support to call, you can perform the recommended actions for the event.

User response

Indicates what actions you should perform to solve the event.

Perform the steps listed in this section in the order shown until the problem is solved. After you perform all of the actions that are described in this field, if you cannot solve the problem, contact IBM Support.

Note: This list includes error codes and messages that might not apply to this machine type and model.

The following is the list of Integrated Management Module II (IMM2) error messages and suggested actions to correct the detected server problems. For more information about Integrated Management Module II (IMM2), see the *Integrated Management Module II User's Guide* at www.ibm.com/support/entry/portal/docdisplay?indocid=MIGR-5089484&brandind=5000008.

List of IMM events

This section lists all messages that can be sent from the IMM.

- **40000001-00000000 : Management Controller [arg1] Network Initialization Complete.**

This message is for the use case where a Management Controller network has completed initialization.

May also be shown as 4000000100000000 or 0x4000000100000000

Severity

Info

Serviceable

No

Automatically notify support

No

Alert Category

System - IMM Network event

SNMP Trap ID

37

CIM Information

Prefix: IMM ID: 0001

User Response

Information only; no action is required.

- **40000002-00000000 : Certificate Authority [arg1] has detected a [arg2] Certificate Error.**

This message is for the use case when there is an error with an SSL Server, SSL Client, or SSL Trusted CA Certificate.

May also be shown as 4000000200000000 or 0x4000000200000000

Severity

Error

Serviceable

No

Automatically notify support

No

Alert Category

System - SSL certification

SNMP Trap ID

22

CIM Information

Prefix: IMM ID: 0002

User Response

Make sure that the certificate that you are importing is correct and properly generated.

- **40000003-00000000 : Ethernet Data Rate modified from [arg1] to [arg2] by user [arg3].**

This message is for the use case where a user modifies the Ethernet Port data rate.

May also be shown as 4000000300000000 or 0x4000000300000000

Severity

Info

Serviceable

No

Automatically notify support

No

Alert Category

none

SNMP Trap ID

CIM Information

Prefix: IMM ID: 0003

User Response

Information only; no action is required.

- **40000004-00000000 : Ethernet Duplex setting modified from [arg1] to [arg2] by user [arg3].**

This message is for the use case where A user modifies the Ethernet Port duplex setting.

May also be shown as 4000000400000000 or 0x4000000400000000

Severity

Info

Serviceable

No

Automatically notify support

No

Alert Category

none

SNMP Trap ID**CIM Information**

Prefix: IMM ID: 0004

User Response

Information only; no action is required.

- **40000005-00000000 : Ethernet MTU setting modified from [arg1] to [arg2] by user [arg3].**

This message is for the use case where a user modifies the Ethernet Port MTU setting.

May also be shown as 4000000500000000 or 0x4000000500000000

Severity

Info

Serviceable

No

Automatically notify support

No

Alert Category

none

SNMP Trap ID**CIM Information**

Prefix: IMM ID: 0005

User Response

Information only; no action is required.

- **40000006-00000000 : Ethernet locally administered MAC address modified from [arg1] to [arg2] by user [arg3].**

This message is for the use case where a user modifies the Ethernet Port MAC address setting.

May also be shown as 4000000600000000 or 0x4000000600000000

Severity

Info

Serviceable

No

Automatically notify support

No

Alert Category

none

SNMP Trap ID**CIM Information**

Prefix: IMM ID: 0006

User Response

Information only; no action is required.

- **40000007-00000000 : Ethernet interface [arg1] by user [arg2].**

This message is for the use case where a user enables or disabled the ethernet interface.

May also be shown as 4000000700000000 or 0x4000000700000000

Severity

Info

Serviceable

No

Automatically notify support

No

Alert Category

none

SNMP Trap ID

CIM Information

Prefix: IMM ID: 0007

User Response

Information only; no action is required.

- **40000008-00000000 : Hostname set to [arg1] by user [arg2].**

This message is for the use case where user modifies the Hostname of a Management Controller.

May also be shown as 4000000800000000 or 0x4000000800000000

Severity

Info

Serviceable

No

Automatically notify support

No

Alert Category

System - IMM Network event

SNMP Trap ID

37

CIM Information

Prefix: IMM ID: 0008

User Response

Information only; no action is required.

- **40000009-00000000 : IP address of network interface modified from [arg1] to [arg2] by user [arg3].**

This message is for the use case where user modifies the IP address of a Management Controller.

May also be shown as 4000000900000000 or 0x4000000900000000

Severity

Info

Serviceable

No

Automatically notify support

No

Alert Category

System - IMM Network event

SNMP Trap ID

37

CIM Information

Prefix: IMM ID: 0009

User Response

Information only; no action is required.

- **4000000a-00000000 : IP subnet mask of network interface modified from [arg1] to [arg2] by user [arg3].**

This message is for the use case where a user modifies the IP subnet mask of a Management Controller.

May also be shown as 4000000a00000000 or 0x4000000a00000000

Severity

Info

Serviceable

No

Automatically notify support

No

Alert Category

none

SNMP Trap ID**CIM Information**

Prefix: IMM ID: 0010

User Response

Information only; no action is required.

- **4000000b-00000000 : IP address of default gateway modified from [arg1] to [arg2] by user [arg3].**

This message is for the use case where a user modifies the default gateway IP address of a Management Controller.

May also be shown as 4000000b00000000 or 0x4000000b00000000

Severity

Info

Serviceable

No

Automatically notify support

No

Alert Category

none

SNMP Trap ID**CIM Information****Prefix: IMM ID:** 0011**User Response**

Information only; no action is required.

- **4000000c-00000000 : OS Watchdog response [arg1] by [arg2] .**

This message is for the use case where an OS Watchdog has been enabled or disabled by a user.

May also be shown as 4000000c00000000 or 0x4000000c00000000

Severity

Warning

Serviceable

No

Automatically notify support

No

Alert Category

none

SNMP Trap ID**CIM Information****Prefix: IMM ID:** 0012**User Response**

Information only; no action is required.

- **4000000d-00000000 : DHCP[[arg1]] failure, no IP address assigned.**

This message is for the use case where a DHCP server fails to assign an IP address to a Management Controller.

May also be shown as 4000000d00000000 or 0x4000000d00000000

Severity

Warning

Serviceable

No

Automatically notify support

No

Alert Category

none

SNMP Trap ID**CIM Information****Prefix: IMM ID:** 0013**User Response**

Complete the following steps until the problem is solved:

1. Make sure that the IMM network cable is connected.

2. Make sure that there is a DHCP server on the network that can assign an IP address to the IMM.

- **4000000e-00000000 : Remote Login Successful. Login ID: [arg1] from [arg2] at IP address [arg3].**

This message is for the use case where a user successfully logs in to a Management Controller.

May also be shown as 4000000e00000000 or 0x4000000e00000000

Severity

Info

Serviceable

No

Automatically notify support

No

Alert Category

System - Remote Login

SNMP Trap ID

30

CIM Information

Prefix: IMM ID: 0014

User Response

Information only; no action is required.

- **4000000f-00000000 : Attempting to [arg1] server [arg2] by user [arg3].**

This message is for the use case where a user is using the Management Controller to perform a power function on the system.

May also be shown as 4000000f00000000 or 0x4000000f00000000

Severity

Info

Serviceable

No

Automatically notify support

No

Alert Category

none

SNMP Trap ID

CIM Information

Prefix: IMM ID: 0015

User Response

Information only; no action is required.

- **40000010-00000000 : Security: Userid: [arg1] had [arg2] login failures from WEB client at IP address [arg3].**

This message is for the use case where a user has failed to log in to a Management Controller from a web browser.

May also be shown as 4000001000000000 or 0x4000001000000000

Severity

Warning

Serviceable

No

Automatically notify support

No

Alert Category

System - Remote Login

SNMP Trap ID

30

CIM Information

Prefix: IMM ID: 0016

User Response

Complete the following steps until the problem is solved:

1. Make sure that the correct login ID and password are being used.
2. Have the system administrator reset the login ID or password.

- **40000011-00000000 : Security: Login ID: [arg1] had [arg2] login failures from CLI at [arg3].**

This message is for the use case where a user has failed to log in to a Management Controller from the Legacy CLI.

May also be shown as 4000001100000000 or 0x4000001100000000

Severity

Warning

Serviceable

No

Automatically notify support

No

Alert Category

System - Remote Login

SNMP Trap ID

30

CIM Information

Prefix: IMM ID: 0017

User Response

Complete the following steps until the problem is solved:

1. Make sure that the correct login ID and password are being used.
2. Have the system administrator reset the login ID or password.

- **40000012-00000000 : Remote access attempt failed. Invalid userid or password received. Userid is [arg1] from WEB browser at IP address [arg2].**

This message is for the use case where a remote user has failed to establish a remote control session from a Web browser session.

May also be shown as 4000001200000000 or 0x4000001200000000

Severity

Info

Serviceable

No

Automatically notify support

No

Alert Category

System - Remote Login

SNMP Trap ID

30

CIM Information

Prefix: IMM ID: 0018

User Response

Make sure that the correct login ID and password are being used.

- **40000013-00000000 : Remote access attempt failed. Invalid userid or password received. Userid is [arg1] from TELNET client at IP address [arg2].**

This message is for the use case where a user has failed to log in to a Management Controller from a telnet session.

May also be shown as 4000001300000000 or 0x4000001300000000

Severity

Info

Serviceable

No

Automatically notify support

No

Alert Category

System - Remote Login

SNMP Trap ID

30

CIM Information

Prefix: IMM ID: 0019

User Response

Make sure that the correct login ID and password are being used.

- **40000014-00000000 : The [arg1] on system [arg2] cleared by user [arg3].**

This message is for the use case where a Management Controller Event Log on a system is cleared by a user.

May also be shown as 4000001400000000 or 0x4000001400000000

Severity

Info

Serviceable

No

Automatically notify support

No

Alert Category

none

SNMP Trap ID**CIM Information**

Prefix: IMM ID: 0020

User Response

Information only; no action is required.

- **40000015-00000000 : Management Controller [arg1] reset was initiated by user [arg2].**

This message is for the use case where a Management Controller reset is initiated by a user.

May also be shown as 4000001500000000 or 0x4000001500000000

Severity

Info

Serviceable

No

Automatically notify support

No

Alert Category

none

SNMP Trap ID**CIM Information**

Prefix: IMM ID: 0021

User Response

Information only; no action is required.

- **40000016-00000000 : ENET[[arg1]] DHCP-HSTN=[arg2], DN=[arg3], IP@=[arg4], SN=[arg5], GW@=[arg6], DNS1@=[arg7] .**

This message is for the use case where a Management Controller IP address and configuration has been assigned by the DHCP server.

May also be shown as 4000001600000000 or 0x4000001600000000

Severity

Info

Serviceable

No

Automatically notify support

No

Alert Category

none

SNMP Trap ID**CIM Information**

Prefix: IMM ID: 0022

User Response

Information only; no action is required.

- **40000017-00000000 : ENET[[arg1]] IP-Cfg:HstName=[arg2], IP@[arg3] ,NetMsk=[arg4], GW@[arg5] .**

This message is for the use case where a Management Controller IP address and configuration has been assigned statically using user data.

May also be shown as 4000001700000000 or 0x4000001700000000

Severity

Info

Serviceable

No

Automatically notify support

No

Alert Category

none

SNMP Trap ID**CIM Information**

Prefix: IMM ID: 0023

User Response

Information only; no action is required.

- **40000018-00000000 : LAN: Ethernet[[arg1]] interface is no longer active.**

This message is for the use case where a Management Controller ethernet interface is no longer active.

May also be shown as 4000001800000000 or 0x4000001800000000

Severity

Info

Serviceable

No

Automatically notify support

No

Alert Category

none

SNMP Trap ID**CIM Information**

Prefix: IMM ID: 0024

User Response

Information only; no action is required.

- **40000019-00000000 : LAN: Ethernet[[arg1]] interface is now active.**

This message is for the use case where a Management Controller ethernet interface is now active.

May also be shown as 4000001900000000 or 0x4000001900000000

Severity

Info

Serviceable

No

Automatically notify support

No

Alert Category

none

SNMP Trap ID**CIM Information**

Prefix: IMM ID: 0025

User Response

Information only; no action is required.

- **4000001a-00000000 : DHCP setting changed to [arg1] by user [arg2].**

This message is for the use case where a user changes the DHCP setting.

May also be shown as 4000001a00000000 or 0x4000001a00000000

Severity

Info

Serviceable

No

Automatically notify support

No

Alert Category

none

SNMP Trap ID**CIM Information**

Prefix: IMM ID: 0026

User Response

Information only; no action is required.

- **4000001b-00000000 : Management Controller [arg1]: Configuration restored from a file by user [arg2].**

This message is for the use case where a user restores a Management Controller configuration from a file.

May also be shown as 4000001b00000000 or 0x4000001b00000000

Severity

Info

Serviceable

No

Automatically notify support

No

Alert Category

none

SNMP Trap ID

CIM Information

Prefix: IMM ID: 0027

User Response

Information only; no action is required.

- **4000001c-00000000 : Watchdog [arg1] Screen Capture Occurred .**

This message is for the use case where an operating system error has occurred and the screen was captured.

May also be shown as 4000001c00000000 or 0x4000001c00000000

Severity

Info

Serviceable

No

Automatically notify support

No

Alert Category

System - other

SNMP Trap ID

22

CIM Information

Prefix: IMM ID: 0028

User Response

If there was no operating-system error, complete the following steps until the problem is solved:

1. Reconfigure the watchdog timer to a higher value.
2. Make sure that the IMM Ethernet-over-USB interface is enabled.
3. Reinstall the RNDIS or cdc_ether device driver for the operating system.
4. Disable the watchdog.

If there was an operating-system error, check the integrity of the installed operating system.

- **4000001d-00000000 : Watchdog [arg1] Failed to Capture Screen.**

This message is for the use case where an operating system error has occurred and the screen capture failed.

May also be shown as 4000001d00000000 or 0x4000001d00000000

Severity

Error

Serviceable

No

Automatically notify support

No

Alert Category

System - other

SNMP Trap ID

22

CIM Information

Prefix: IMM ID: 0029

User Response

Complete the following steps until the problem is solved:

1. Reconfigure the watchdog timer to a higher value.
2. Make sure that the IMM Ethernet over USB interface is enabled.
3. Reinstall the RNDIS or cdc_ether device driver for the operating system.
4. Disable the watchdog. Check the integrity of the installed operating system.
5. Update the IMM firmware. Important: Some cluster solutions require specific code levels or coordinated code updates. If the device is part of a cluster solution, verify that the latest level of code is supported for the cluster solution before you update the code.

- **4000001e-00000000 : Running the backup Management Controller [arg1] main application.**

This message is for the use case where a Management Controller has resorted to running the backup main application.

May also be shown as 4000001e00000000 or 0x4000001e00000000

Severity

Warning

Serviceable

No

Automatically notify support

No

Alert Category

System - other

SNMP Trap ID

22

CIM Information

Prefix: IMM ID: 0030

User Response

Update the IMM firmware. Important: Some cluster solutions require specific code levels or coordinated code updates. If the device is part of a cluster solution, verify that the latest level of code is supported for the cluster solution before you update the code.

- **4000001f-00000000 : Please ensure that the Management Controller [arg1] is flashed with the correct firmware. The Management Controller is unable to match its firmware to the server.**

This message is for the use case where a Management Controller firmware version does not match the server.

May also be shown as 4000001f00000000 or 0x4000001f00000000

Severity

Error

Serviceable

No

Automatically notify support

No

Alert Category

System - other

SNMP Trap ID

22

CIM Information

Prefix: IMM ID: 0031

User Response

Update the IMM firmware to a version that the server supports. Important: Some cluster solutions require specific code levels or coordinated code updates. If the device is part of a cluster solution, verify that the latest level of code is supported for the cluster solution before you update the code.

- **4000020-00000000 : Management Controller [arg1] Reset was caused by restoring default values.**

This message is for the use case where a Management Controller has been reset due to a user restoring the configuration to default values.

May also be shown as 4000020000000000 or 0x4000020000000000

Severity

Info

Serviceable

No

Automatically notify support

No

Alert Category

none

SNMP Trap ID

CIM Information

Prefix: IMM ID: 0032

User Response

Information only; no action is required.

- **4000021-00000000 : Management Controller [arg1] clock has been set from NTP server [arg2].**

This message is for the use case where a Management Controller clock has been set from the Network Time Protocol server.

May also be shown as 4000021000000000 or 0x4000021000000000

Severity

Info

Serviceable

No

Automatically notify support

No

Alert Category

none

SNMP Trap ID

CIM Information

Prefix: IMM ID: 0033

User Response

Information only; no action is required.

- **40000022-00000000 : SSL data in the Management Controller [arg1] configuration data is invalid. Clearing configuration data region and disabling SSL.**

This message is for the use case where a Management Controller has detected invalid SSL data in the configuration data and is clearing the configuration data region and disabling the SSL.

May also be shown as 4000002200000000 or 0x4000002200000000

Severity

Error

Serviceable

No

Automatically notify support

No

Alert Category

System - other

SNMP Trap ID

22

CIM Information

Prefix: IMM ID: 0034

User Response

Complete the following steps until the problem is solved:

1. Make sure that the certificate that you are importing is correct.
2. Try to import the certificate again.

- **40000023-00000000 : Flash of [arg1] from [arg2] succeeded for user [arg3] .**

This message is for the use case where a user has successfully flashed the firmware component (MC Main Application, MC Boot ROM, BIOS, Diagnostics, System Power Backplane, Remote Expansion Enclosure Power Backplane, Integrated System Management Processor, or Remote Expansion Enclosure Processor) from the interface and IP address (%d.

May also be shown as 4000002300000000 or 0x4000002300000000

Severity

Info

Serviceable

No

Automatically notify support

No

Alert Category

none

SNMP Trap ID

CIM Information

Prefix: IMM ID: 0035

User Response

Information only; no action is required.

- **40000024-00000000 : Flash of [arg1] from [arg2] failed for user [arg3].**

This message is for the use case where a user has not flashed the firmware component from the interface and IP address due to a failure.

May also be shown as 4000002400000000 or 0x4000002400000000

Severity

Info

Serviceable

No

Automatically notify support

No

Alert Category

System - other

SNMP Trap ID

22

CIM Information

Prefix: IMM ID: 0036

User Response

Information only; no action is required.

- **40000025-00000000 : The [arg1] on system [arg2] is 75% full.**

This message is for the use case where a Management Controller Event Log on a system is 75% full.

May also be shown as 4000002500000000 or 0x4000002500000000

Severity

Info

Serviceable

No

Automatically notify support

No

Alert Category

System - Event Log 75% full

SNMP Trap ID

35

CIM Information

Prefix: IMM ID: 0037

User Response

Information only; no action is required.

- **40000026-00000000 : The [arg1] on system [arg2] is 100% full.**

This message is for the use case where a Management Controller Event Log on a system is 100% full.

May also be shown as 4000002600000000 or 0x4000002600000000

Severity

Info

Serviceable

No

Automatically notify support

No

Alert Category

System - Event Log 75% full

SNMP Trap ID

35

CIM Information

Prefix: IMM ID: 0038

User Response

To avoid losing older log entries, save the log as a text file and clear the log.

- **40000027-00000000 : Platform Watchdog Timer expired for [arg1].**

This message is for the use case when an implementation has detected a Platform Watchdog Timer Expired

May also be shown as 4000002700000000 or 0x4000002700000000

Severity

Error

Serviceable

No

Automatically notify support

No

Alert Category

System - OS Timeout

SNMP Trap ID

21

CIM Information

Prefix: IMM ID: 0039

User Response

Complete the following steps until the problem is solved:

1. Reconfigure the watchdog timer to a higher value.
2. Make sure that the IMM Ethernet-over-USB interface is enabled.
3. Reinstall the RNDIS or cdc_ether device driver for the operating system.
4. Disable the watchdog.
5. Check the integrity of the installed operating system.

- **40000028-00000000 : Management Controller Test Alert Generated by [arg1].**

This message is for the use case where a user has generated a Test Alert.

May also be shown as 4000002800000000 or 0x4000002800000000

Severity

Info

Serviceable

No

Automatically notify support

No

Alert Category

System - other

SNMP Trap ID

22

CIM Information

Prefix: IMM ID: 0040

User Response

Information only; no action is required.

- **40000029-00000000 : Security: Userid: [arg1] had [arg2] login failures from an SSH client at IP address [arg3].**

This message is for the use case where a user has failed to log in to a Management Controller from SSH.

May also be shown as 4000002900000000 or 0x4000002900000000

Severity

Info

Serviceable

No

Automatically notify support

No

Alert Category

System - Remote Login

SNMP Trap ID

30

CIM Information

Prefix: IMM ID: 0041

User Response

Complete the following steps until the problem is solved:

1. Make sure that the correct login ID and password are being used.
2. Have the system administrator reset the login ID or password.

- **4000002a-00000000 : [arg1] firmware mismatch internal to system [arg2]. Please attempt to flash the [arg3] firmware.**

This message is for the use case where a specific type of firmware mismatch has been detected.

May also be shown as 4000002a00000000 or 0x4000002a00000000

Severity

Error

Serviceable

No

Automatically notify support

No

Alert Category

System - Other

SNMP Trap ID

22

CIM Information

Prefix: IMM ID: 0042

User Response

Reflash the IMM firmware to the latest version.

- **4000002b-00000000 : Domain name set to [arg1].**

Domain name set by user

May also be shown as 4000002b00000000 or 0x4000002b00000000

Severity

Info

Serviceable

No

Automatically notify support

No

Alert Category

none

SNMP Trap ID

CIM Information

Prefix: IMM ID: 0043

User Response

Information only; no action is required.

- **4000002c-00000000 : Domain Source changed to [arg1] by user [arg2].**

Domain source changed by user

May also be shown as 4000002c00000000 or 0x4000002c00000000

Severity

Info

Serviceable

No

Automatically notify support

No

Alert Category

none

SNMP Trap ID

CIM Information

Prefix: IMM ID: 0044

User Response

Information only; no action is required.

- **4000002d-00000000 : DDNS setting changed to [arg1] by user [arg2].**

DDNS setting changed by user

May also be shown as 4000002d00000000 or 0x4000002d00000000

Severity

Info

Serviceable

No

Automatically notify support

No

Alert Category

none

SNMP Trap ID

CIM Information

Prefix: IMM ID: 0045

User Response

Information only; no action is required.

- **4000002e-00000000 : DDNS registration successful. The domain name is [arg1].**

DDNS registration and values

May also be shown as 4000002e00000000 or 0x4000002e00000000

Severity

Info

Serviceable

No

Automatically notify support

No

Alert Category

none

SNMP Trap ID

CIM Information

Prefix: IMM ID: 0046

User Response

Information only; no action is required.

- **4000002f-00000000 : IPv6 enabled by user [arg1] .**

IPv6 protocol is enabled by user

May also be shown as 4000002f00000000 or 0x4000002f00000000

Severity

Info

Serviceable

No

Automatically notify support

No

Alert Category

none

SNMP Trap ID

CIM Information

Prefix: IMM ID: 0047

User Response

Information only; no action is required.

- **40000030-00000000 : IPv6 disabled by user [arg1] .**

IPv6 protocol is disabled by user

May also be shown as 4000003000000000 or 0x4000003000000000

Severity

Info

Serviceable

No

Automatically notify support

No

Alert Category

none

SNMP Trap ID

CIM Information

Prefix: IMM ID: 0048

User Response

Information only; no action is required.

- **40000031-00000000 : IPv6 static IP configuration enabled by user [arg1].**

IPv6 static address assignment method is enabled by user

May also be shown as 4000003100000000 or 0x4000003100000000

Severity

Info

Serviceable

No

Automatically notify support

No

Alert Category

none

SNMP Trap ID

CIM Information

Prefix: IMM ID: 0049

User Response

Information only; no action is required.

- **40000032-00000000 : IPv6 DHCP enabled by user [arg1].**

IPv6 DHCP assignment method is enabled by user

May also be shown as 4000003200000000 or 0x4000003200000000

Severity

Info

Serviceable

No

Automatically notify support

No

Alert Category

none

SNMP Trap ID

CIM Information

Prefix: IMM ID: 0050

User Response

Information only; no action is required.

- **40000033-00000000 : IPv6 stateless auto-configuration enabled by user [arg1].**

IPv6 statless auto-assignment method is enabled by user

May also be shown as 4000003300000000 or 0x4000003300000000

Severity

Info

Serviceable

No

Automatically notify support

No

Alert Category

none

SNMP Trap ID

CIM Information

Prefix: IMM ID: 0051

User Response

Information only; no action is required.

- **40000034-00000000 : IPv6 static IP configuration disabled by user [arg1].**

IPv6 static assignment method is disabled by user

May also be shown as 4000003400000000 or 0x4000003400000000

Severity

Info

Serviceable

No

Automatically notify support

No

Alert Category

none

SNMP Trap ID**CIM Information**

Prefix: IMM ID: 0052

User Response

Information only; no action is required.

- **40000035-00000000 : IPv6 DHCP disabled by user [arg1].**

IPv6 DHCP assignment method is disabled by user

May also be shown as 4000003500000000 or 0x4000003500000000

Severity

Info

Serviceable

No

Automatically notify support

No

Alert Category

none

SNMP Trap ID**CIM Information**

Prefix: IMM ID: 0053

User Response

Information only; no action is required.

- **40000036-00000000 : IPv6 stateless auto-configuration disabled by user [arg1].**

IPv6 statless auto-assignment method is disabled by user

May also be shown as 4000003600000000 or 0x4000003600000000

Severity

Info

Serviceable

No

Automatically notify support

No

Alert Category

none

SNMP Trap ID

CIM Information

Prefix: IMM ID: 0054

User Response

Information only; no action is required.

- **40000037-00000000 : ENET[[arg1]] IPv6-LinkLocal:HstName=[arg2], IP@[arg3] ,Pref=[arg4] .**

IPv6 Link Local address is active

May also be shown as 4000003700000000 or 0x4000003700000000

Severity

Info

Serviceable

No

Automatically notify support

No

Alert Category

none

SNMP Trap ID

CIM Information

Prefix: IMM ID: 0055

User Response

Information only; no action is required.

- **40000038-00000000 : ENET[[arg1]] IPv6-Static:HstName=[arg2], IP@[arg3] ,Pref=[arg4], GW@[arg5] .**

IPv6 Static address is active

May also be shown as 4000003800000000 or 0x4000003800000000

Severity

Info

Serviceable

No

Automatically notify support

No

Alert Category

none

SNMP Trap ID

CIM Information

Prefix: IMM ID: 0056

User Response

Information only; no action is required.

- **40000039-00000000 : ENET[[arg1]] DHCPv6-HSTN=[arg2], DN=[arg3], IP@[arg4], Pref=[arg5].**

IPv6 DHCP-assigned address is active

May also be shown as 4000003900000000 or 0x4000003900000000

Severity

Info

Serviceable

No

Automatically notify support

No

Alert Category

none

SNMP Trap ID

CIM Information

Prefix: IMM ID: 0057

User Response

Information only; no action is required.

- **4000003a-00000000 : IPv6 static address of network interface modified from [arg1] to [arg2] by user [arg3].**

A user modifies the IPv6 static address of a Management Controller

May also be shown as 4000003a00000000 or 0x4000003a00000000

Severity

Info

Serviceable

No

Automatically notify support

No

Alert Category

none

SNMP Trap ID

CIM Information

Prefix: IMM ID: 0058

User Response

Information only; no action is required.

- **4000003b-00000000 : DHCPv6 failure, no IP address assigned.**

S DHCP6 server fails to assign an IP address to a Management Controller.

May also be shown as 4000003b00000000 or 0x4000003b00000000

Severity

Warning

Serviceable

No

Automatically notify support

No

Alert Category

none

SNMP Trap ID

CIM Information

Prefix: IMM ID: 0059

User Response

Complete the following steps until the problem is solved:

1. Make sure that the IMM network cable is connected.
2. Make sure that there is a DHCPv6 server on the network that can assign an IP address to the IMM.

- **4000003c-00000000 : Platform Watchdog Timer expired for [arg1].**

An implementation has detected an OS Loader Watchdog Timer Expired

May also be shown as 4000003c00000000 or 0x4000003c00000000

Severity

Error

Serviceable

No

Automatically notify support

No

Alert Category

System - Loader timeout

SNMP Trap ID

26

CIM Information

Prefix: IMM ID: 0060

User Response

1. Reconfigure the watchdog timer to a higher value.
2. Make sure that the IMM Ethernet over USB interface is enabled.
3. Reinstall the RNDIS or cdc_ether device driver for the operating system.
4. Disable the watchdog.
5. Check the integrity of the installed operating system.

- **4000003d-00000000 : Telnet port number changed from [arg1] to [arg2] by user [arg3].**

A user has modified the telnet port number

May also be shown as 4000003d00000000 or 0x4000003d00000000

Severity

Info

Serviceable

No

Automatically notify support

No

Alert Category

none

SNMP Trap ID

CIM Information

Prefix: IMM ID: 0061

User Response

Information only; no action is required.

- **4000003e-00000000 : SSH port number changed from [arg1] to [arg2] by user [arg3].**

A user has modified the SSH port number

May also be shown as 4000003e00000000 or 0x4000003e00000000

Severity

Info

Serviceable

No

Automatically notify support

No

Alert Category

none

SNMP Trap ID

CIM Information

Prefix: IMM ID: 0062

User Response

Information only; no action is required.

- **4000003f-00000000 : Web-HTTP port number changed from [arg1] to [arg2] by user [arg3].**

A user has modified the Web HTTP port number

May also be shown as 4000003f00000000 or 0x4000003f00000000

Severity

Info

Serviceable

No

Automatically notify support

No

Alert Category

none

SNMP Trap ID

CIM Information

Prefix: IMM ID: 0063

User Response

Information only; no action is required.

- **40000040-00000000 : Web-HTTPS port number changed from [arg1] to [arg2] by user [arg3].**

A user has modified the Web HTTPS port number

May also be shown as 4000004000000000 or 0x4000004000000000

Severity

Info

Serviceable

No

Automatically notify support

No

Alert Category

none

SNMP Trap ID

CIM Information

Prefix: IMM ID: 0064

User Response

Information only; no action is required.

- **40000041-00000000 : CIM/XML HTTP port number changed from [arg1] to [arg2] by user [arg3].**

A user has modified the CIM HTTP port number

May also be shown as 4000004100000000 or 0x4000004100000000

Severity

Info

Serviceable

No

Automatically notify support

No

Alert Category

none

SNMP Trap ID

CIM Information

Prefix: IMM ID: 0065

User Response

Information only; no action is required.

- **40000042-00000000 : CIM/XML HTTPS port number changed from [arg1] to [arg2] by user [arg3].**

A user has modified the CIM HTTPS port number

May also be shown as 4000004200000000 or 0x4000004200000000

Severity

Info

Serviceable

No

Automatically notify support

No

Alert Category

none

SNMP Trap ID**CIM Information**

Prefix: IMM ID: 0066

User Response

Information only; no action is required.

- **40000043-00000000 : SNMP Agent port number changed from [arg1] to [arg2] by user [arg3].**

A user has modified the SNMP Agent port number

May also be shown as 4000004300000000 or 0x4000004300000000

Severity

Info

Serviceable

No

Automatically notify support

No

Alert Category

none

SNMP Trap ID**CIM Information**

Prefix: IMM ID: 0067

User Response

Information only; no action is required.

- **40000044-00000000 : SNMP Traps port number changed from [arg1] to [arg2] by user [arg3].**

A user has modified the SNMP Traps port number

May also be shown as 4000004400000000 or 0x4000004400000000

Severity

Info

Serviceable

No

Automatically notify support

No

Alert Category

none

SNMP Trap ID

CIM Information

Prefix: IMM ID: 0068

User Response

Information only; no action is required.

- **40000045-00000000 : Syslog port number changed from [arg1] to [arg2] by user [arg3].**

A user has modified the Syslog receiver port number

May also be shown as 4000004500000000 or 0x4000004500000000

Severity

Info

Serviceable

No

Automatically notify support

No

Alert Category

none

SNMP Trap ID

CIM Information

Prefix: IMM ID: 0069

User Response

Information only; no action is required.

- **40000046-00000000 : Remote Presence port number changed from [arg1] to [arg2] by user [arg3].**

A user has modified the Remote Presence port number

May also be shown as 4000004600000000 or 0x4000004600000000

Severity

Info

Serviceable

No

Automatically notify support

No

Alert Category

none

SNMP Trap ID**CIM Information**

Prefix: IMM ID: 0070

User Response

Information only; no action is required.

- **40000047-00000000 : LED [arg1] state changed to [arg2] by [arg3].**

A user has modified the state of an LED

May also be shown as 4000004700000000 or 0x4000004700000000

Severity

Info

Serviceable

No

Automatically notify support

No

Alert Category

none

SNMP Trap ID**CIM Information**

Prefix: IMM ID: 0071

User Response

Information only; no action is required.

- **40000048-00000000 : Inventory data changed for device [arg1], new device data hash=[arg2], new master data hash=[arg3] .**

Something has caused the physical inventory to change

May also be shown as 4000004800000000 or 0x4000004800000000

Severity

Info

Serviceable

No

Automatically notify support

No

Alert Category

none

SNMP Trap ID**CIM Information**

Prefix: IMM ID: 0072

User Response

Information only; no action is required.

- **40000049-00000000 : SNMP [arg1] enabled by user [arg2] .**

A user enabled SNMPv1 or SNMPv3 or Traps

May also be shown as 4000004900000000 or 0x4000004900000000

Severity

Info

Serviceable

No

Automatically notify support

No

Alert Category

none

SNMP Trap ID

CIM Information

Prefix: IMM ID: 0073

User Response

Information only; no action is required.

- **4000004a-00000000 : SNMP [arg1] disabled by user [arg2] .**

A user disabled SNMPv1 or SNMPv3 or Traps

May also be shown as 4000004a00000000 or 0x4000004a00000000

Severity

Info

Serviceable

No

Automatically notify support

No

Alert Category

none

SNMP Trap ID

CIM Information

Prefix: IMM ID: 0074

User Response

Information only; no action is required.

- **4000004b-00000000 : SNMPv1 [arg1] set by user [arg2]: Name=[arg3], AccessType=[arg4], Address=[arg5], .**

A user changed the SNMP community string

May also be shown as 4000004b00000000 or 0x4000004b00000000

Severity

Info

Serviceable

No

Automatically notify support

No

Alert Category

none

SNMP Trap ID

CIM Information

Prefix: IMM ID: 0075

User Response

Information only; no action is required.

- **4000004c-00000000 : LDAP Server configuration set by user [arg1]: SelectionMethod=[arg2], DomainName=[arg3], Server1=[arg4], Server2=[arg5], Server3=[arg6], Server4=[arg7].**

A user changed the LDAP server configuration

May also be shown as 4000004c00000000 or 0x4000004c00000000

Severity

Info

Serviceable

No

Automatically notify support

No

Alert Category

none

SNMP Trap ID

CIM Information

Prefix: IMM ID: 0076

User Response

Information only; no action is required.

- **4000004d-00000000 : LDAP set by user [arg1]: RootDN=[arg2], UIDSearchAttribute=[arg3], BindingMethod=[arg4], EnhancedRBS=[arg5], TargetName=[arg6], GroupFilter=[arg7], GroupAttribute=[arg8], LoginAttribute=[arg9].**

A user configured an LDAP Miscellaneous setting

May also be shown as 4000004d00000000 or 0x4000004d00000000

Severity

Info

Serviceable

No

Automatically notify support

No

Alert Category

none

SNMP Trap ID

CIM Information

Prefix: IMM ID: 0077

User Response

Information only; no action is required.

- **4000004e-00000000 : Serial Redirection set by user [arg1]: Mode=[arg2], BaudRate=[arg3], StopBits=[arg4], Parity=[arg5], SessionTerminateSequence=[arg6].**

A user configured the Serial Port mode

May also be shown as 4000004e00000000 or 0x4000004e00000000

Severity

Info

Serviceable

No

Automatically notify support

No

Alert Category

none

SNMP Trap ID

CIM Information

Prefix: IMM ID: 0078

User Response

Information only; no action is required.

- **4000004f-00000000 : Date and Time set by user [arg1]: Date=[arg2], Time=[arg3], DST Auto-adjust=[arg4], Timezone=[arg5].**

A user configured the Date and Time settings

May also be shown as 4000004f00000000 or 0x4000004f00000000

Severity

Info

Serviceable

No

Automatically notify support

No

Alert Category

none

SNMP Trap ID

CIM Information

Prefix: IMM ID: 0079

User Response

Information only; no action is required.

- **40000050-00000000 : Server General Settings set by user [arg1]: Name=[arg2], Contact=[arg3], Location=[arg4], Room=[arg5], RackID=[arg6], Rack U-position=[arg7].**

A user configured the Location setting

May also be shown as 40000050000000000 or 0x40000050000000000

Severity

Info

Serviceable

No

Automatically notify support

No

Alert Category

none

SNMP Trap ID

CIM Information

Prefix: IMM ID: 0080

User Response

Information only; no action is required.

- **40000051-00000000 : Server Power Off Delay set to [arg1] by user [arg2].**

A user configured the Server Power Off Delay

May also be shown as 40000051000000000 or 0x40000051000000000

Severity

Info

Serviceable

No

Automatically notify support

No

Alert Category

none

SNMP Trap ID

CIM Information

Prefix: IMM ID: 0081

User Response

Information only; no action is required.

- **40000052-00000000 : Server [arg1] scheduled for [arg2] at [arg3] by user [arg4].**

A user configured a Server Power action at a specific time

May also be shown as 40000052000000000 or 0x40000052000000000

Severity

Info

Serviceable

No

Automatically notify support

No

Alert Category

none

SNMP Trap ID

CIM Information

Prefix: IMM ID: 0082

User Response

Information only; no action is required.

- **40000053-00000000 : Server [arg1] scheduled for every [arg2] at [arg3] by user [arg4].**

A user configured a recurring Server Power Action

May also be shown as 4000005300000000 or 0x4000005300000000

Severity

Info

Serviceable

No

Automatically notify support

No

Alert Category

none

SNMP Trap ID

CIM Information

Prefix: IMM ID: 0083

User Response

Information only; no action is required.

- **40000054-00000000 : Server [arg1] [arg2] cleared by user [arg3].**

A user cleared a Server Power Action.

May also be shown as 4000005400000000 or 0x4000005400000000

Severity

Info

Serviceable

No

Automatically notify support

No

Alert Category

none

SNMP Trap ID

CIM Information

Prefix: IMM ID: 0084

User Response

Information only; no action is required.

- **4000055-00000000 : Synchronize time setting by user [arg1]: Mode=[arg2], NTPServerHost=[arg3]: [arg4],NTPUpdateFrequency=[arg5].**

A user configured the Date and Time synchronize settings

May also be shown as 4000005500000000 or 0x4000005500000000

Severity

Info

Serviceable

No

Automatically notify support

No

Alert Category

none

SNMP Trap ID**CIM Information**

Prefix: IMM ID: 0085

User Response

Information only; no action is required.

- **4000056-00000000 : SMTP Server set by user [arg1] to [arg2]:[arg3].**

A user configured the SMTP server

May also be shown as 4000005600000000 or 0x4000005600000000

Severity

Info

Serviceable

No

Automatically notify support

No

Alert Category

none

SNMP Trap ID**CIM Information**

Prefix: IMM ID: 0086

User Response

Information only; no action is required.

- **4000057-00000000 : Telnet [arg1] by user [arg2].**

A user enables or disables Telnet services

May also be shown as 4000005700000000 or 0x4000005700000000

Severity

Info

Serviceable

No

Automatically notify support

No

Alert Category

none

SNMP Trap ID

CIM Information

Prefix: IMM ID: 0087

User Response

Information only; no action is required.

- **40000058-00000000 : DNS servers set by user [arg1]: UseAdditionalServers=[arg2], PreferredDNStype=[arg3], IPv4Server1=[arg4], IPv4Server2=[arg5], IPv4Server3=[arg6], IPv6Server1=[arg7], IPv6Server2=[arg8], IPv6Server3=[arg9].**

A user configures the DNS servers

May also be shown as 4000005800000000 or 0x4000005800000000

Severity

Info

Serviceable

No

Automatically notify support

No

Alert Category

none

SNMP Trap ID

CIM Information

Prefix: IMM ID: 0088

User Response

Information only; no action is required.

- **40000059-00000000 : LAN over USB [arg1] by user [arg2].**

A user configured USB-LAN

May also be shown as 4000005900000000 or 0x4000005900000000

Severity

Info

Serviceable

No

Automatically notify support

No

Alert Category

none

SNMP Trap ID

CIM Information

Prefix: IMM ID: 0089

User Response

Information only; no action is required.

- **4000005a-00000000 : LAN over USB Port Forwarding set by user [arg1]: ExternalPort=[arg2], USB-LAN port=[arg3].**

A user configured USB-LAN port forwarding

May also be shown as 4000005a00000000 or 0x4000005a00000000

Severity

Info

Serviceable

No

Automatically notify support

No

Alert Category

none

SNMP Trap ID

CIM Information

Prefix: IMM ID: 0090

User Response

Information only; no action is required.

- **4000005b-00000000 : Secure Web services (HTTPS) [arg1] by user [arg2].**

A user enables or disables Secure web services

May also be shown as 4000005b00000000 or 0x4000005b00000000

Severity

Info

Serviceable

No

Automatically notify support

No

Alert Category

none

SNMP Trap ID

CIM Information

Prefix: IMM ID: 0091

User Response

Information only; no action is required.

- **4000005c-00000000 : Secure CIM/XML(HTTPS) [arg1] by user [arg2].**

A user enables or disables Secure CIM/XML services

May also be shown as 4000005c00000000 or 0x4000005c00000000

Severity

Info

Serviceable

No

Automatically notify support

No

Alert Category

none

SNMP Trap ID

CIM Information

Prefix: IMM ID: 0092

User Response

Information only; no action is required.

- **4000005d-00000000 : Secure LDAP [arg1] by user [arg2].**

A user enables or disables Secure LDAP services

May also be shown as 4000005d00000000 or 0x4000005d00000000

Severity

Info

Serviceable

No

Automatically notify support

No

Alert Category

none

SNMP Trap ID

CIM Information

Prefix: IMM ID: 0093

User Response

Information only; no action is required.

- **4000005e-00000000 : SSH [arg1] by user [arg2].**

A user enables or disables SSH services

May also be shown as 4000005e00000000 or 0x4000005e00000000

Severity

Info

Serviceable

No

Automatically notify support

No

Alert Category

none

SNMP Trap ID**CIM Information**

Prefix: IMM ID: 0094

User Response

Information only; no action is required.

- **4000005f-00000000 : Server timeouts set by user [arg1]: EnableOSWatchdog=[arg2], OSWatchdogTimeout=[arg3], EnableLoaderWatchdog=[arg4], LoaderTimeout=[arg5].**

A user configures Server Timeouts

May also be shown as 4000005f00000000 or 0x4000005f00000000

Severity

Info

Serviceable

No

Automatically notify support

No

Alert Category

none

SNMP Trap ID**CIM Information**

Prefix: IMM ID: 0095

User Response

Information only; no action is required.

- **40000060-00000000 : License key for [arg1] added by user [arg2].**

A user installs License Key

May also be shown as 4000006000000000 or 0x4000006000000000

Severity

Info

Serviceable

No

Automatically notify support

No

Alert Category

none

SNMP Trap ID

CIM Information

Prefix: IMM ID: 0096

User Response

Information only; no action is required.

- **40000061-00000000 : License key for [arg1] removed by user [arg2].**

A user removes a License Key

May also be shown as 4000006100000000 or 0x4000006100000000

Severity

Info

Serviceable

No

Automatically notify support

No

Alert Category

none

SNMP Trap ID

CIM Information

Prefix: IMM ID: 0097

User Response

Information only; no action is required.

- **40000062-00000000 : Global Login General Settings set by user [arg1]: AuthenticationMethod=[arg2], LockoutPeriod=[arg3], SessionTimeout=[arg4].**

A user changes the Global Login General Settings

May also be shown as 4000006200000000 or 0x4000006200000000

Severity

Info

Serviceable

No

Automatically notify support

No

Alert Category

none

SNMP Trap ID

CIM Information

Prefix: IMM ID: 0098

User Response

Information only; no action is required.

- **40000063-00000000 : Global Login Account Security set by user [arg1]: PasswordRequired=[arg2], PasswordExpirationPeriod=[arg3], MinimumPasswordReuseCycle=[arg4], MinimumPasswordLength=[arg5], MinimumPasswordChangeInterval=[arg6], MaxmumLoginFailures=[arg7], LockoutAfterMaxFailures=[arg8], MinimumDifferentCharacters=[arg9], DefaultIDExpired=[arg10], ChangePasswordFirstAccess=[arg11].**

A user changes the Global Login Account Security Settings to Legacy

May also be shown as 4000006300000000 or 0x4000006300000000

Severity

Info

Serviceable

No

Automatically notify support

No

Alert Category

none

SNMP Trap ID

CIM Information

Prefix: IMM ID: 0099

User Response

Information only; no action is required.

- **40000064-00000000 : User [arg1] created.**

A user account was created

May also be shown as 4000006400000000 or 0x4000006400000000

Severity

Info

Serviceable

No

Automatically notify support

No

Alert Category

none

SNMP Trap ID

CIM Information

Prefix: IMM ID: 0100

User Response

Information only; no action is required.

- **40000065-00000000 : User [arg1] removed.**

A user account was deleted

May also be shown as 4000006500000000 or 0x4000006500000000

Severity

Info

Serviceable

No

Automatically notify support

No

Alert Category

none

SNMP Trap ID**CIM Information**

Prefix: IMM ID: 0101

User Response

Information only; no action is required.

- **40000066-00000000 : User [arg1] password modified.**

A user account was changed

May also be shown as 4000006600000000 or 0x4000006600000000

Severity

Info

Serviceable

No

Automatically notify support

No

Alert Category

none

SNMP Trap ID**CIM Information**

Prefix: IMM ID: 0102

User Response

Information only; no action is required.

- **40000067-00000000 : User [arg1] role set to [arg2].**

A user account role assigned

May also be shown as 4000006700000000 or 0x4000006700000000

Severity

Info

Serviceable

No

Automatically notify support

No

Alert Category

none

SNMP Trap ID**CIM Information**

Prefix: IMM ID: 0103

User Response

Information only; no action is required.

- **40000068-00000000 : User [arg1] custom privileges set: [arg2].**

User account privileges assigned

May also be shown as 4000006800000000 or 0x4000006800000000

Severity

Info

Serviceable

No

Automatically notify support

No

Alert Category

none

SNMP Trap ID**CIM Information**

Prefix: IMM ID: 0104

User Response

Information only; no action is required.

- **40000069-00000000 : User [arg1] for SNMPv3 set: AuthenticationProtocol=[arg2], PrivacyProtocol=[arg3], AccessType=[arg4], HostforTraps=[arg5].**

User account SNMPv3 settings changed

May also be shown as 4000006900000000 or 0x4000006900000000

Severity

Info

Serviceable

No

Automatically notify support

No

Alert Category

none

SNMP Trap ID**CIM Information**

Prefix: IMM ID: 0105

User Response

Information only; no action is required.

- **4000006a-00000000 : SSH Client key added for user [arg1].**

User locally defined an SSH Client key

May also be shown as 4000006a00000000 or 0x4000006a00000000

Severity

Info

Serviceable

No

Automatically notify support

No

Alert Category

none

SNMP Trap ID

CIM Information

Prefix: IMM ID: 0106

User Response

Information only; no action is required.

- **4000006b-00000000 : SSH Client key imported for user [arg1] from [arg2].**

User imported an SSH Client key

May also be shown as 4000006b00000000 or 0x4000006b00000000

Severity

Info

Serviceable

No

Automatically notify support

No

Alert Category

none

SNMP Trap ID

CIM Information

Prefix: IMM ID: 0107

User Response

Information only; no action is required.

- **4000006c-00000000 : SSH Client key removed from user [arg1].**

User removed an SSH Client key

May also be shown as 4000006c00000000 or 0x4000006c00000000

Severity

Info

Serviceable

No

Automatically notify support

No

Alert Category

none

SNMP Trap ID

CIM Information

Prefix: IMM ID: 0108

User Response

Information only; no action is required.

- **4000006d-00000000 : Management Controller [arg1]: Configuration saved to a file by user [arg2].**

A user saves a Management Controller configuration to a file.

May also be shown as 4000006d00000000 or 0x4000006d00000000

Severity

Info

Serviceable

No

Automatically notify support

No

Alert Category

none

SNMP Trap ID

CIM Information

Prefix: IMM ID: 0109

User Response

Information only; no action is required.

- **4000006e-00000000 : Alert Configuration Global Event Notification set by user [arg1]: RetryLimit=[arg2], RetryInterval=[arg3], EntryInterval=[arg4].**

A user changes the Global Event Notification settings.

May also be shown as 4000006e00000000 or 0x4000006e00000000

Severity

Info

Serviceable

No

Automatically notify support

No

Alert Category

none

SNMP Trap ID

CIM Information

Prefix: IMM ID: 0110

User Response

Information only; no action is required.

- **4000006f-00000000 : Alert Recipient Number [arg1] updated: Name=[arg2], DeliveryMethod=[arg3], Address=[arg4], IncludeLog=[arg5], Enabled=[arg6], EnabledAlerts=[arg7], AllowedFilters=[arg8].**

A user adds or updates an Alert Recipient

May also be shown as 4000006f00000000 or 0x4000006f00000000

Severity

Info

Serviceable

No

Automatically notify support

No

Alert Category

none

SNMP Trap ID

CIM Information

Prefix: IMM ID: 0111

User Response

Information only; no action is required.

- **40000070-00000000 : SNMP Traps enabled by user [arg1]: EnabledAlerts=[arg2], AllowedFilters=[arg3].**

A user enabled the SNMP Traps configuration

May also be shown as 4000007000000000 or 0x4000007000000000

Severity

Info

Serviceable

No

Automatically notify support

No

Alert Category

none

SNMP Trap ID

CIM Information

Prefix: IMM ID: 0112

User Response

Information only; no action is required.

- **40000071-00000000 : The power cap value changed from [arg1] watts to [arg2] watts by user [arg3].**

Power Cap values changed by user

May also be shown as 4000007100000000 or 0x4000007100000000

Severity

Info

Serviceable

No

Automatically notify support

No

Alert Category

none

SNMP Trap ID

CIM Information

Prefix: IMM ID: 0113

User Response

Information only; no action is required.

- **40000072-00000000 : The minimum power cap value changed from [arg1] watts to [arg2] watts.**

Minimum Power Cap value changed

May also be shown as 4000007200000000 or 0x4000007200000000

Severity

Info

Serviceable

No

Automatically notify support

No

Alert Category

none

SNMP Trap ID

CIM Information

Prefix: IMM ID: 0114

User Response

Information only; no action is required.

- **40000073-00000000 : The maximum power cap value changed from [arg1] watts to [arg2] watts.**

Maximum Power Cap value changed

May also be shown as 4000007300000000 or 0x4000007300000000

Severity

Info

Serviceable

No

Automatically notify support

No

Alert Category

none

SNMP Trap ID**CIM Information**

Prefix: IMM ID: 0115

User Response

Information only; no action is required.

- **40000074-00000000 : The soft minimum power cap value changed from [arg1] watts to [arg2] watts.**

Soft Minimum Power Cap value changed

May also be shown as 4000007400000000 or 0x4000007400000000

Severity

Info

Serviceable

No

Automatically notify support

No

Alert Category

none

SNMP Trap ID**CIM Information**

Prefix: IMM ID: 0116

User Response

Information only; no action is required.

- **40000075-00000000 : The measured power value exceeded the power cap value.**

Power exceeded cap

May also be shown as 4000007500000000 or 0x4000007500000000

Severity

Warning

Serviceable

No

Automatically notify support

No

Alert Category

Warning - Power

SNMP Trap ID

164

CIM Information

Prefix: IMM ID: 0117

User Response

Information only; no action is required.

- **40000076-00000000 : The new minimum power cap value exceeded the power cap value.**

Minimum Power Cap exceeds Power Cap

May also be shown as 4000007600000000 or 0x4000007600000000

Severity

Warning

Serviceable

No

Automatically notify support

No

Alert Category

Warning - Power

SNMP Trap ID

164

CIM Information

Prefix: IMM ID: 0118

User Response

Information only; no action is required.

- **40000077-00000000 : Power capping was activated by user [arg1].**

Power capping activated by user

May also be shown as 4000007700000000 or 0x4000007700000000

Severity

Info

Serviceable

No

Automatically notify support

No

Alert Category

none

SNMP Trap ID

CIM Information

Prefix: IMM ID: 0119

User Response

Information only; no action is required.

- **40000078-00000000 : Power capping was deactivated by user [arg1].**

Power capping deactivated by user

May also be shown as 4000007800000000 or 0x4000007800000000

Severity

Info

Serviceable

No

Automatically notify support

No

Alert Category

none

SNMP Trap ID**CIM Information**

Prefix: IMM ID: 0120

User Response

Information only; no action is required.

- **40000079-00000000 : Static Power Savings mode has been turned on by user [arg1].**

Static Power Savings mode turned on by user

May also be shown as 4000007900000000 or 0x4000007900000000

Severity

Info

Serviceable

No

Automatically notify support

No

Alert Category

none

SNMP Trap ID**CIM Information**

Prefix: IMM ID: 0121

User Response

Information only; no action is required.

- **4000007a-00000000 : Static Power Savings mode has been turned off by user [arg1].**

Static Power Savings mode turned off by user

May also be shown as 4000007a00000000 or 0x4000007a00000000

Severity

Info

Serviceable

No

Automatically notify support

No

Alert Category

none

SNMP Trap ID**CIM Information****Prefix: IMM ID:** 0122**User Response**

Information only; no action is required.

- **4000007b-00000000 : Dynamic Power Savings mode has been turned on by user [arg1].**

Dynamic Power Savings mode turned on by user

May also be shown as 4000007b00000000 or 0x4000007b00000000

Severity

Info

Serviceable

No

Automatically notify support

No

Alert Category

none

SNMP Trap ID**CIM Information****Prefix: IMM ID:** 0123**User Response**

Information only; no action is required.

- **4000007c-00000000 : Dynamic Power Savings mode has been turned off by user [arg1].**

Dynamic Power Savings mode turned off by user

May also be shown as 4000007c00000000 or 0x4000007c00000000

Severity

Info

Serviceable

No

Automatically notify support

No

Alert Category

none

SNMP Trap ID**CIM Information****Prefix: IMM ID:** 0124**User Response**

Information only; no action is required.

- **4000007d-00000000 : Power cap and external throttling occurred.**

Power cap and external throttling occurred

May also be shown as 4000007d00000000 or 0x4000007d00000000

Severity

Info

Serviceable

No

Automatically notify support

No

Alert Category

none

SNMP Trap ID

CIM Information

Prefix: IMM ID: 0125

User Response

Information only; no action is required.

- **4000007e-00000000 : External throttling occurred .**

External throttling occurred

May also be shown as 4000007e00000000 or 0x4000007e00000000

Severity

Info

Serviceable

No

Automatically notify support

No

Alert Category

none

SNMP Trap ID

CIM Information

Prefix: IMM ID: 0126

User Response

Information only; no action is required.

- **4000007f-00000000 : Power cap throttling occurred.**

Power cap throttling occurred

May also be shown as 4000007f00000000 or 0x4000007f00000000

Severity

Info

Serviceable

No

Automatically notify support

No

Alert Category

none

SNMP Trap ID

CIM Information

Prefix: IMM ID: 0127

User Response

Information only; no action is required.

- **40000080-00000000 : Remote Control session started by user [arg1] in [arg2] mode.**

Remote Control session started

May also be shown as 4000008000000000 or 0x4000008000000000

Severity

Info

Serviceable

No

Automatically notify support

No

Alert Category

none

SNMP Trap ID

CIM Information

Prefix: IMM ID: 0128

User Response

Information only; no action is required.

- **40000081-00000000 : PXE boot requested by user [arg1].**

PXE boot requested

May also be shown as 4000008100000000 or 0x4000008100000000

Severity

Info

Serviceable

No

Automatically notify support

No

Alert Category

none

SNMP Trap ID

CIM Information

Prefix: IMM ID: 0129

User Response

Information only; no action is required.

- **40000082-00000000 : The measured power value has returned below the power cap value.**

Power exceeded cap recovered

May also be shown as 4000008200000000 or 0x4000008200000000

Severity

Info

Serviceable

No

Automatically notify support

No

Alert Category

Warning - Power

SNMP Trap ID

164

CIM Information

Prefix: IMM ID: 0130

User Response

Information only; no action is required.

- **40000083-00000000 : The new minimum power cap value has returned below the power cap value.**

Minimum Power Cap exceeds Power Cap recovered

May also be shown as 4000008300000000 or 0x4000008300000000

Severity

Info

Serviceable

No

Automatically notify support

No

Alert Category

Warning - Power

SNMP Trap ID

164

CIM Information

Prefix: IMM ID: 0131

User Response

Information only; no action is required.

- **40000084-00000000 : IMM firmware mismatch between nodes [arg1] and [arg2]. Please attempt to flash the IMM firmware to the same level on all nodes.**

A mismatch of IMM firmware has been detected between nodes

May also be shown as 4000008400000000 or 0x4000008400000000

Severity

Error

Serviceable

No

Automatically notify support

No

Alert Category

System - Other

SNMP Trap ID

22

CIM Information

Prefix: IMM ID: 0132

User Response

Attempt to flash the IMM firmware to the same level on all nodes.

- **40000085-00000000 : FPGA firmware mismatch between nodes [arg1] and [arg2]. Please attempt to flash the FPGA firmware to the same level on all nodes.**

A mismatch of FPGA firmware has been detected between nodes

May also be shown as 4000008500000000 or 0x4000008500000000

Severity

Error

Serviceable

No

Automatically notify support

No

Alert Category

System - Other

SNMP Trap ID

22

CIM Information

Prefix: IMM ID: 0133

User Response

Attempt to flash the FPGA firmware to the same level on all nodes.

- **40000086-00000000 : Test Call Home Generated by user [arg1].**

Test Call Home generated by user.

May also be shown as 4000008600000000 or 0x4000008600000000

Severity

Info

Serviceable

No

Automatically notify support

Yes

Alert Category

none

SNMP Trap ID

CIM Information

Prefix: IMM ID: 0134

User Response

Information only; no action is required.

- **40000087-00000000 : Manual Call Home by user [arg1]: [arg2].**

Manual Call Home by user.

May also be shown as 4000008700000000 or 0x4000008700000000

Severity

Info

Serviceable

No

Automatically notify support

Yes

Alert Category

none

SNMP Trap ID

CIM Information

Prefix: IMM ID: 0135

User Response

IBM Support will address the problem.

- **40000088-00000000 : Management Controller [arg1]: Configuration restoration from a file by user [arg2] completed.**

This message is for the use case where a user restores a Management Controller configuration from a file and it completes.

May also be shown as 4000008800000000 or 0x4000008800000000

Severity

Info

Serviceable

No

Automatically notify support

No

Alert Category

none

SNMP Trap ID

CIM Information

Prefix: IMM ID: 0136

User Response

Information only; no action is required.

- **4000089-00000000 : Management Controller [arg1]: Configuration restoration from a file by user [arg2] failed to complete.**

This message is for the use case where a user restores a Management Controller configuration from a file and the restoration fails to complete.

May also be shown as 4000008900000000 or 0x4000008900000000

Severity

Error

Serviceable

No

Automatically notify support

No

Alert Category

System - Other

SNMP Trap ID

22

CIM Information

Prefix: IMM ID: 0137

User Response

1. Turn off the server and disconnect it from the power source. You must disconnect the server from ac power to reset the IMM.
2. After 45 seconds, reconnect the server to the power source and turn on the server.
3. Retry the operation.

- **400008a-00000000 : Management Controller [arg1]: Configuration restoration from a file by user [arg2] failed to start.**

This message is for the use case where a user restores a Management Controller configuration from a file and the restoration fails to start.

May also be shown as 4000008a00000000 or 0x4000008a00000000

Severity

Error

Serviceable

No

Automatically notify support

No

Alert Category

System - Other

SNMP Trap ID

22

CIM Information

Prefix: IMM ID: 0138

User Response

1. Turn off the server and disconnect it from the power source. You must disconnect the server from ac power to reset the IMM.
2. After 45 seconds, reconnect the server to the power source and turn on the server.
3. Retry the operation.

- **4000008b-00000000 : One or more of the Storage Management IP addresses has changed.**

This message is for the use case where an IP address for the Storage Management has changed

May also be shown as 4000008b00000000 or 0x4000008b00000000

Severity

Info

Serviceable

No

Automatically notify support

No

Alert Category

System - IMM Network event

SNMP Trap ID

37

CIM Information

Prefix: IMM ID: 0139

User Response

Information only; no action is required.

- **80010002-0701ffff : Numeric sensor [NumericSensorElementName] going low (lower non-critical) has asserted. (CMOS Battery)**

This message is for the use case when an implementation has detected a Lower Non-critical sensor going low has asserted.

May also be shown as 800100020701ffff or 0x800100020701ffff

Severity

Warning

Serviceable

Yes

Automatically notify support

No

Alert Category

Warning - Voltage

SNMP Trap ID

13

CIM Information

Prefix: PLAT ID: 0476

User Response

Replace the system battery.

- **80010202-0701ffff : Numeric sensor [NumericSensorElementName] going low (lower critical) has asserted.**

This message is for the use case when an implementation has detected a Lower Critical sensor going low has asserted.

May also be shown as 800102020701ffff or 0x800102020701ffff

Severity

Error

Serviceable

Yes

Automatically notify support

Yes

Alert Category

Critical - Voltage

SNMP Trap ID

1

CIM Information

Prefix: PLAT ID: 0480

User Response

If the specified sensor is CMOS battery, replace the system battery. If the specified sensor is Planar 3.3V or Planar 5V, (trained technician only) replace the system board. If the specified sensor is Planar 12V, complete the following steps until the problem is solved:

1. Check power supply n LED.
2. Remove the failing power supply.
3. Follow actions in "Power Problems and Solving Power Problems".
4. (Trained technician only) Replace the system board. (n = power supply number)

- **80010204-1d01ffff : Numeric sensor [NumericSensorElementName] going low (lower critical) has asserted. (Fan 1Aa Tach)**

This message is for the use case when an implementation has detected a Lower Critical sensor going low has asserted.

May also be shown as 800102041d01ffff or 0x800102041d01ffff

Severity

Error

Serviceable

Yes

Automatically notify support

No

Alert Category

Critical - Fan Failure

SNMP Trap ID

11

CIM Information

Prefix: PLAT ID: 0480

User Response

1. Reseat the failing fan n, which is indicated by a lit LED near the fan connector on the system board.

2. Replace the failing fan. (n = fan number)

- **80010204-1d02ffff : Numeric sensor [NumericSensorElementName] going low (lower critical) has asserted. (Fan 1Ab Tach)**

This message is for the use case when an implementation has detected a Lower Critical sensor going low has asserted.

May also be shown as 800102041d02ffff or 0x800102041d02ffff

Severity

Error

Serviceable

Yes

Automatically notify support

No

Alert Category

Critical - Fan Failure

SNMP Trap ID

11

CIM Information

Prefix: PLAT ID: 0480

User Response

1. Reseat the failing fan n, which is indicated by a lit LED near the fan connector on the system board.
2. Replace the failing fan. (n = fan number)

- **80010204-1d03ffff : Numeric sensor [NumericSensorElementName] going low (lower critical) has asserted. (Fan 1Ba Tach)**

This message is for the use case when an implementation has detected a Lower Critical sensor going low has asserted.

May also be shown as 800102041d03ffff or 0x800102041d03ffff

Severity

Error

Serviceable

Yes

Automatically notify support

No

Alert Category

Critical - Fan Failure

SNMP Trap ID

11

CIM Information

Prefix: PLAT ID: 0480

User Response

1. Reseat the failing fan n, which is indicated by a lit LED near the fan connector on the system board.

2. Replace the failing fan. (n = fan number)

- **80010204-1d04ffff : Numeric sensor [NumericSensorElementName] going low (lower critical) has asserted. (Fan 1Bb Tach)**

This message is for the use case when an implementation has detected a Lower Critical sensor going low has asserted.

May also be shown as 800102041d04ffff or 0x800102041d04ffff

Severity

Error

Serviceable

Yes

Automatically notify support

No

Alert Category

Critical - Fan Failure

SNMP Trap ID

11

CIM Information

Prefix: PLAT ID: 0480

User Response

1. Reseat the failing fan n, which is indicated by a lit LED near the fan connector on the system board.
2. Replace the failing fan. (n = fan number)

- **80010204-1d05ffff : Numeric sensor [NumericSensorElementName] going low (lower critical) has asserted. (Fan 2Aa Tach)**

This message is for the use case when an implementation has detected a Lower Critical sensor going low has asserted.

May also be shown as 800102041d05ffff or 0x800102041d05ffff

Severity

Error

Serviceable

Yes

Automatically notify support

No

Alert Category

Critical - Fan Failure

SNMP Trap ID

11

CIM Information

Prefix: PLAT ID: 0480

User Response

1. Reseat the failing fan n, which is indicated by a lit LED near the fan connector on the system board.

2. Replace the failing fan. (n = fan number)

- **80010204-1d06ffff : Numeric sensor [NumericSensorElementName] going low (lower critical) has asserted. (Fan 2Ab Tach)**

This message is for the use case when an implementation has detected a Lower Critical sensor going low has asserted.

May also be shown as 800102041d06ffff or 0x800102041d06ffff

Severity

Error

Serviceable

Yes

Automatically notify support

No

Alert Category

Critical - Fan Failure

SNMP Trap ID

11

CIM Information

Prefix: PLAT ID: 0480

User Response

1. Reseat the failing fan n, which is indicated by a lit LED near the fan connector on the system board.
2. Replace the failing fan. (n = fan number)

- **80010204-1d07ffff : Numeric sensor [NumericSensorElementName] going low (lower critical) has asserted. (Fan 2Ba Tach)**

This message is for the use case when an implementation has detected a Lower Critical sensor going low has asserted.

May also be shown as 800102041d07ffff or 0x800102041d07ffff

Severity

Error

Serviceable

Yes

Automatically notify support

No

Alert Category

Critical - Fan Failure

SNMP Trap ID

11

CIM Information

Prefix: PLAT ID: 0480

User Response

1. Reseat the failing fan n, which is indicated by a lit LED near the fan connector on the system board.

2. Replace the failing fan. (n = fan number)

- **80010204-1d08ffff : Numeric sensor [NumericSensorElementName] going low (lower critical) has asserted. (Fan 2Bb Tach)**

This message is for the use case when an implementation has detected a Lower Critical sensor going low has asserted.

May also be shown as 800102041d08ffff or 0x800102041d08ffff

Severity

Error

Serviceable

Yes

Automatically notify support

No

Alert Category

Critical - Fan Failure

SNMP Trap ID

11

CIM Information

Prefix: PLAT ID: 0480

User Response

1. Reseat the failing fan n, which is indicated by a lit LED near the fan connector on the system board.
2. Replace the failing fan. (n = fan number)

- **80010204-1d09ffff : Numeric sensor [NumericSensorElementName] going low (lower critical) has asserted. (Fan 3Aa Tach)**

This message is for the use case when an implementation has detected a Lower Critical sensor going low has asserted.

May also be shown as 800102041d09ffff or 0x800102041d09ffff

Severity

Error

Serviceable

Yes

Automatically notify support

No

Alert Category

Critical - Fan Failure

SNMP Trap ID

11

CIM Information

Prefix: PLAT ID: 0480

User Response

1. Reseat the failing fan n, which is indicated by a lit LED near the fan connector on the system board.

2. Replace the failing fan. (n = fan number)

- **80010204-1d0affff : Numeric sensor [NumericSensorElementName] going low (lower critical) has asserted. (Fan 3Ab Tach)**

This message is for the use case when an implementation has detected a Lower Critical sensor going low has asserted.

May also be shown as 800102041d0affff or 0x800102041d0affff

Severity

Error

Serviceable

Yes

Automatically notify support

No

Alert Category

Critical - Fan Failure

SNMP Trap ID

11

CIM Information

Prefix: PLAT ID: 0480

User Response

1. Reseat the failing fan n, which is indicated by a lit LED near the fan connector on the system board.
2. Replace the failing fan. (n = fan number)

- **80010204-1d0bffff : Numeric sensor [NumericSensorElementName] going low (lower critical) has asserted. (Fan 3Ba Tach)**

This message is for the use case when an implementation has detected a Lower Critical sensor going low has asserted.

May also be shown as 800102041d0bffff or 0x800102041d0bffff

Severity

Error

Serviceable

Yes

Automatically notify support

No

Alert Category

Critical - Fan Failure

SNMP Trap ID

11

CIM Information

Prefix: PLAT ID: 0480

User Response

1. Reseat the failing fan n, which is indicated by a lit LED near the fan connector on the system board.

2. Replace the failing fan. (n = fan number)

- **80010204-1d0cffff : Numeric sensor [NumericSensorElementName] going low (lower critical) has asserted. (Fan 3Bb Tach)**

This message is for the use case when an implementation has detected a Lower Critical sensor going low has asserted.

May also be shown as 800102041d0cffff or 0x800102041d0cffff

Severity

Error

Serviceable

Yes

Automatically notify support

No

Alert Category

Critical - Fan Failure

SNMP Trap ID

11

CIM Information

Prefix: PLAT ID: 0480

User Response

1. Reseat the failing fan n, which is indicated by a lit LED near the fan connector on the system board.
2. Replace the failing fan. (n = fan number)

- **80010701-0701ffff : Numeric sensor [NumericSensorElementName] going high (upper non-critical) has asserted. (FHHL Temp)**

This message is for the use case when an implementation has detected an Upper Non-critical sensor going high has asserted.

May also be shown as 800107010701ffff or 0x800107010701ffff

Severity

Warning

Serviceable

Yes

Automatically notify support

No

Alert Category

Warning - Temperature

SNMP Trap ID

12

CIM Information

Prefix: PLAT ID: 0490

User Response

1. Make sure that the fans are operating, that there are no obstructions to the airflow (front and rear of the server), that the air baffle is in place and correctly installed, and that the server cover is installed and completely closed.
2. Check the ambient temperature. You must be operating within the specifications (see Server Features and specifications for more information).
3. Make sure that the heat sink for microprocessor n.
4. (Trained technician only) Replace system board.

LowProfile Temp : Raid Temp :

- **80010701-0c01ffff : Numeric sensor [NumericSensorElementName] going high (upper non-critical) has asserted. (Ambient Temp)**

This message is for the use case when an implementation has detected an Upper Non-critical sensor going high has asserted.

May also be shown as 800107010c01ffff or 0x800107010c01ffff

Severity

Warning

Serviceable

Yes

Automatically notify support

No

Alert Category

Warning - Temperature

SNMP Trap ID

12

CIM Information

Prefix: PLAT ID: 0490

User Response

1. Make sure that the fans are operating, that there are no obstructions to the airflow (front and rear of the server), that the air baffle is in place and correctly installed, and that the server cover is installed and completely closed.
2. Check the ambient temperature. You must be operating within the specifications (see Server Features and specifications for more information).
3. Make sure that the heat sink for microprocessor n.
4. (Trained technician only) Replace system board.

- **80010701-1401ffff : Numeric sensor [NumericSensorElementName] going high (upper non-critical) has asserted. (CPU1 VR Temp)**

This message is for the use case when an implementation has detected an Upper Non-critical sensor going high has asserted.

May also be shown as 800107011401ffff or 0x800107011401ffff

Severity

Warning

Serviceable

Yes

Automatically notify support

No

Alert Category

Warning - Temperature

SNMP Trap ID

12

CIM Information

Prefix: PLAT ID: 0490

User Response

1. Make sure that the fans are operating, that there are no obstructions to the airflow (front and rear of the server), that the air baffle is in place and correctly installed, and that the server cover is installed and completely closed.
 2. Check the ambient temperature. You must be operating within the specifications (see Server Features and specifications for more information).
 3. Make sure that the heat sink for microprocessor n.
 4. (Trained technician only) Replace system board.
- **80010701-1402ffff : Numeric sensor [NumericSensorElementName] going high (upper non-critical) has asserted. (CPU2 VR Temp)**

This message is for the use case when an implementation has detected an Upper Non-critical sensor going high has asserted.

May also be shown as 800107011402ffff or 0x800107011402ffff

Severity

Warning

Serviceable

Yes

Automatically notify support

No

Alert Category

Warning - Temperature

SNMP Trap ID

12

CIM Information

Prefix: PLAT ID: 0490

User Response

1. Make sure that the fans are operating, that there are no obstructions to the airflow (front and rear of the server), that the air baffle is in place and correctly installed, and that the server cover is installed and completely closed.
 2. Check the ambient temperature. You must be operating within the specifications (see Server Features and specifications for more information).
 3. Make sure that the heat sink for microprocessor n.
 4. (Trained technician only) Replace system board.
- **80010701-2d01ffff : Numeric sensor [NumericSensorElementName] going high (upper non-critical) has asserted. (PCH Temp)**

This message is for the use case when an implementation has detected an Upper Non-critical sensor going high has asserted.

May also be shown as 800107012d01ffff or 0x800107012d01ffff

Severity

Warning

Serviceable

Yes

Automatically notify support

No

Alert Category

Warning - Temperature

SNMP Trap ID

12

CIM Information

Prefix: PLAT ID: 0490

User Response

1. Make sure that the fans are operating, that there are no obstructions to the airflow (front and rear of the server), that the air baffle is in place and correctly installed, and that the server cover is installed and completely closed.
 2. Check the ambient temperature. You must be operating within the specifications (see Server Features and specifications for more information).
 3. Make sure that the heat sink for microprocessor n.
 4. (Trained technician only) Replace system board.
- **80010901-0701ffff : Numeric sensor [NumericSensorElementName] going high (upper critical) has asserted. (FHHL Temp)**

This message is for the use case when an implementation has detected an Upper Critical sensor going high has asserted.

May also be shown as 800109010701ffff or 0x800109010701ffff

Severity

Error

Serviceable

Yes

Automatically notify support

No

Alert Category

Critical - Temperature

SNMP Trap ID

0

CIM Information

Prefix: PLAT ID: 0494

User Response

1. Make sure that the fans are operating, that there are no obstructions to the airflow (front and rear of the server), that the air baffle is in place and correctly installed, and that the server cover is installed and completely closed.
2. Check the ambient temperature. You must be operating within the specifications (see Server Features and specifications for more information).
3. Make sure that the heat sink for microprocessor n.
4. (Trained technician only) Replace system board.

LowProfile Temp : Raid Temp :

- **80010901-0c01ffff : Numeric sensor [NumericSensorElementName] going high (upper critical) has asserted. (Ambient Temp)**

This message is for the use case when an implementation has detected an Upper Critical sensor going high has asserted.

May also be shown as 800109010c01ffff or 0x800109010c01ffff

Severity

Error

Serviceable

Yes

Automatically notify support

No

Alert Category

Critical - Temperature

SNMP Trap ID

0

CIM Information

Prefix: PLAT ID: 0494

User Response

1. Make sure that the fans are operating, that there are no obstructions to the airflow (front and rear of the server), that the air baffle is in place and correctly installed, and that the server cover is installed and completely closed.
2. Check the ambient temperature. You must be operating within the specifications (see Server Features and specifications for more information).
3. Make sure that the heat sink for microprocessor n.
4. (Trained technician only) Replace system board.

- **80010901-1401ffff : Numeric sensor [NumericSensorElementName] going high (upper critical) has asserted. (CPU1 VR Temp)**

This message is for the use case when an implementation has detected an Upper Critical sensor going high has asserted.

May also be shown as 800109011401ffff or 0x800109011401ffff

Severity

Error

Serviceable

Yes

Automatically notify support

No

Alert Category

Critical - Temperature

SNMP Trap ID

0

CIM Information

Prefix: PLAT ID: 0494

User Response

1. Make sure that the fans are operating, that there are no obstructions to the airflow (front and rear of the server), that the air baffle is in place and correctly installed, and that the server cover is installed and completely closed.
 2. Check the ambient temperature. You must be operating within the specifications (see Server Features and specifications for more information).
 3. Make sure that the heat sink for microprocessor n.
 4. (Trained technician only) Replace system board.
- **80010901-1402ffff : Numeric sensor [NumericSensorElementName] going high (upper critical) has asserted. (CPU2 VR Temp)**

This message is for the use case when an implementation has detected an Upper Critical sensor going high has asserted.

May also be shown as 800109011402ffff or 0x800109011402ffff

Severity

Error

Serviceable

Yes

Automatically notify support

No

Alert Category

Critical - Temperature

SNMP Trap ID

0

CIM Information

Prefix: PLAT ID: 0494

User Response

1. Make sure that the fans are operating, that there are no obstructions to the airflow (front and rear of the server), that the air baffle is in place and correctly installed, and that the server cover is installed and completely closed.
 2. Check the ambient temperature. You must be operating within the specifications (see Server Features and specifications for more information).
 3. Make sure that the heat sink for microprocessor n.
 4. (Trained technician only) Replace system board.
- **80010901-2d01ffff : Numeric sensor [NumericSensorElementName] going high (upper critical) has asserted. (PCH Temp)**

This message is for the use case when an implementation has detected an Upper Critical sensor going high has asserted.

May also be shown as 800109012d01ffff or 0x800109012d01ffff

Severity

Error

Serviceable

Yes

Automatically notify support

No

Alert Category

Critical - Temperature

SNMP Trap ID

0

CIM Information

Prefix: PLAT ID: 0494

User Response

1. Make sure that the fans are operating, that there are no obstructions to the airflow (front and rear of the server), that the air baffle is in place and correctly installed, and that the server cover is installed and completely closed.
 2. Check the ambient temperature. You must be operating within the specifications (see Server Features and specifications for more information).
 3. Make sure that the heat sink for microprocessor n.
 4. (Trained technician only) Replace system board.
- **80010902-0701ffff : Numeric sensor [NumericSensorElementName] going high (upper critical) has asserted.**

This message is for the use case when an implementation has detected an Upper Critical sensor going high has asserted.

May also be shown as 800109020701ffff or 0x800109020701ffff

Severity

Error

Serviceable

Yes

Automatically notify support

Yes

Alert Category

Critical - Voltage

SNMP Trap ID

1

CIM Information

Prefix: PLAT ID: 0494

User Response

If the specified sensor is Planar 3.3V or Planar 5V, (Trained technician only) replace the system board.
If the specified sensor is Planar 12V, complete the following steps until the problem is solved:

1. Check power supply n LED.
 2. Remove the failing power supply.
 3. (Trained technician only) Replace the system board. (n = power supply number)
- **80010b01-0701ffff : Numeric sensor [NumericSensorElementName] going high (upper non-recoverable) has asserted. (FHHL Temp)**

This message is for the use case when an implementation has detected an Upper Non-recoverable sensor going high has asserted.

May also be shown as 80010b010701ffff or 0x80010b010701ffff

Severity

Error

Serviceable

Yes

Automatically notify support

No

Alert Category

Critical - Temperature

SNMP Trap ID

0

CIM Information

Prefix: PLAT ID: 0498

User Response

1. Make sure that the fans are operating, that there are no obstructions to the airflow (front and rear of the server), that the air baffle is in place and correctly installed, and that the server cover is installed and completely closed.
 2. Check the ambient temperature. You must be operating within the specifications (see Server Features and specifications for more information).
 3. Make sure that the heat sink for microprocessor n.
 4. (Trained technician only) Replace system board. LowProfile Temp : Raid Temp :
- **80010b01-0c01ffff : Numeric sensor [NumericSensorElementName] going high (upper non-recoverable) has asserted. (Ambient Temp)**

This message is for the use case when an implementation has detected an Upper Non-recoverable sensor going high has asserted.

May also be shown as 80010b010c01ffff or 0x80010b010c01ffff

Severity

Error

Serviceable

Yes

Automatically notify support

No

Alert Category

Critical - Temperature

SNMP Trap ID

0

CIM Information

Prefix: PLAT ID: 0498

User Response

1. Make sure that the fans are operating, that there are no obstructions to the airflow (front and rear of the server), that the air baffle is in place and correctly installed, and that the server cover is installed and completely closed.
 2. Check the ambient temperature. You must be operating within the specifications (see Server Features and specifications for more information).
 3. Make sure that the heat sink for microprocessor n.
 4. (Trained technician only) Replace system board.
- **80010b01-1401ffff : Numeric sensor [NumericSensorElementName] going high (upper non-recoverable) has asserted. (CPU1 VR Temp)**

This message is for the use case when an implementation has detected an Upper Non-recoverable sensor going high has asserted.

May also be shown as 80010b011401ffff or 0x80010b011401ffff

Severity

Error

Serviceable

Yes

Automatically notify support

No

Alert Category

Critical - Temperature

SNMP Trap ID

0

CIM Information

Prefix: PLAT ID: 0498

User Response

1. Make sure that the fans are operating, that there are no obstructions to the airflow (front and rear of the server), that the air baffle is in place and correctly installed, and that the server cover is installed and completely closed.
 2. Check the ambient temperature. You must be operating within the specifications (see Server Features and specifications for more information).
 3. Make sure that the heat sink for microprocessor n.
 4. (Trained technician only) Replace system board.
- **80010b01-1402ffff : Numeric sensor [NumericSensorElementName] going high (upper non-recoverable) has asserted. (CPU2 VR Temp)**

This message is for the use case when an implementation has detected an Upper Non-recoverable sensor going high has asserted.

May also be shown as 80010b011402ffff or 0x80010b011402ffff

Severity

Error

Serviceable

Yes

Automatically notify support

No

Alert Category

Critical - Temperature

SNMP Trap ID

0

CIM Information

Prefix: PLAT ID: 0498

User Response

1. Make sure that the fans are operating, that there are no obstructions to the airflow (front and rear of the server), that the air baffle is in place and correctly installed, and that the server cover is installed and completely closed.
 2. Check the ambient temperature. You must be operating within the specifications (see Server Features and specifications for more information).
 3. Make sure that the heat sink for microprocessor n.
 4. (Trained technician only) Replace system board.
- **80010b01-2d01ffff : Numeric sensor [NumericSensorElementName] going high (upper non-recoverable) has asserted. (PCH Temp)**

This message is for the use case when an implementation has detected an Upper Non-recoverable sensor going high has asserted.

May also be shown as 80010b012d01ffff or 0x80010b012d01ffff

Severity

Error

Serviceable

Yes

Automatically notify support

No

Alert Category

Critical - Temperature

SNMP Trap ID

0

CIM Information

Prefix: PLAT ID: 0498

User Response

1. Make sure that the fans are operating, that there are no obstructions to the airflow (front and rear of the server), that the air baffle is in place and correctly installed, and that the server cover is installed and completely closed.
2. Check the ambient temperature. You must be operating within the specifications (see Server Features and specifications for more information).
3. Make sure that the heat sink for microprocessor n.

4. (Trained technician only) Replace system board.

- **80030006-2101ffff : Sensor [SensorElementName] has deasserted. (Sig Verify Fail)**

This message is for the use case when an implementation has detected a Sensor has deasserted.

May also be shown as 800300062101ffff or 0x800300062101ffff

Severity

Info

Serviceable

No

Automatically notify support

No

Alert Category

System - Other

SNMP Trap ID

CIM Information

Prefix: PLAT ID: 0509

User Response

No action; information only.

- **80030012-2301ffff : Sensor [SensorElementName] has deasserted. (OS RealTime Mod)**

This message is for the use case when an implementation has detected a Sensor has deasserted.

May also be shown as 800300122301ffff or 0x800300122301ffff

Severity

Info

Serviceable

No

Automatically notify support

No

Alert Category

System - Other

SNMP Trap ID

CIM Information

Prefix: PLAT ID: 0509

User Response

No action; information only.

- **80050108-0a01ffff : Sensor [SensorElementName] has indicated limit exceeded. (PS 1 CS)**

This message is for the use case when an implementation has detected a Sensor limit was exceeded.

May also be shown as 800501080a01ffff or 0x800501080a01ffff

Severity

Info

Serviceable

No

Automatically notify support

No

Alert Category

System - Other

SNMP Trap ID**CIM Information**

Prefix: PLAT ID: 0512

User Response

No action; information only.

- **80050108-0a02ffff : Sensor [SensorElementName] has indicated limit exceeded. (PS 2 CS)**

This message is for the use case when an implementation has detected a Sensor limit was exceeded.

May also be shown as 800501080a02ffff or 0x800501080a02ffff

Severity

Info

Serviceable

No

Automatically notify support

No

Alert Category

System - Other

SNMP Trap ID**CIM Information**

Prefix: PLAT ID: 0512

User Response

No action; information only.

- **8007010f-2201ffff : Sensor [SensorElementName] has transitioned from normal to non-critical state. (GPT Status)**

This message is for the use case when an implementation has detected a Sensor transitioned to non-critical from normal.

May also be shown as 8007010f2201ffff or 0x8007010f2201ffff

Severity

Warning

Serviceable

Yes

Automatically notify support

No

Alert Category

Warning - Other

SNMP Trap ID

60

CIM Information**Prefix:** PLAT ID: 0520**User Response**

1. Check the IBM support site for service bulletins or firmware updates that apply to this GPT error.
2. Set the UEFI setting DISK GPT Recovery to Automatic.
3. Replace the corrupt disk. TXT ACM Module :

- **8007010f-2582ffff : Sensor [SensorElementName] has transitioned from normal to non-critical state. (No PCI I/O Space)**

This message is for the use case when an implementation has detected a Sensor transitioned to non-critical from normal.

May also be shown as 8007010f2582ffff or 0x8007010f2582ffff

Severity

Warning

Serviceable

Yes

Automatically notify support

No

Alert Category

Warning - Other

SNMP Trap ID

60

CIM Information**Prefix:** PLAT ID: 0520**User Response**

Complete the following step to solve PCI I/O resource errors:

1. Go to F1 Setup
2. System Settings
3. Device and I/O ports
4. PCI 64 bit Resource and choose enable.

- **80070114-2201ffff : Sensor [SensorElementName] has transitioned from normal to non-critical state. (TPM Phy Pres Set)**

This message is for the use case when an implementation has detected a Sensor transitioned to non-critical from normal.

May also be shown as 800701142201ffff or 0x800701142201ffff

Severity

Warning

Serviceable

Yes

Automatically notify support

No

Alert Category

Warning - Other

SNMP Trap ID

60

CIM Information

Prefix: PLAT ID: 0520

User Response

1. Complete the administrative tasks that require the TPM physical presence switch to be in the ON position.
 2. Restore the physical presence switch to the OFF position.
 3. Reboot the system.
 4. (Trained technician only) If the error continues, replace the planar.
- **80070201-0301ffff : Sensor [SensorElementName] has transitioned to critical from a less severe state. (CPU 1 OverTemp)**

This message is for the use case when an implementation has detected a Sensor transitioned to critical from less severe.

May also be shown as 800702010301ffff or 0x800702010301ffff

Severity

Error

Serviceable

Yes

Automatically notify support

No

Alert Category

Critical - Temperature

SNMP Trap ID

0

CIM Information

Prefix: PLAT ID: 0522

User Response

1. Make sure that the fans are operating, that there are no obstructions to the airflow (front and rear of the server), that the air baffles are in place and correctly installed, and that the server cover is installed and completely closed.
 2. Check the ambient temperature. You must be operating within the specifications (see Features and specifications for more information).
 3. Make sure that the heat sink for microprocessor n is installed correctly.
 4. (Trained technician only) Replace microprocessor n. (n = microprocessor number)
- **80070201-0302ffff : Sensor [SensorElementName] has transitioned to critical from a less severe state. (CPU 2 OverTemp)**

This message is for the use case when an implementation has detected a Sensor transitioned to critical from less severe.

May also be shown as 800702010302ffff or 0x800702010302ffff

Severity

Error

Serviceable

Yes

Automatically notify support

No

Alert Category

Critical - Temperature

SNMP Trap ID

0

CIM Information**Prefix: PLAT ID:** 0522**User Response**

1. Make sure that the fans are operating, that there are no obstructions to the airflow (front and rear of the server), that the air baffles are in place and correctly installed, and that the server cover is installed and completely closed.
 2. Check the ambient temperature. You must be operating within the specifications (see Features and specifications for more information).
 3. Make sure that the heat sink for microprocessor n is installed correctly.
 4. (Trained technician only) Replace microprocessor n. (n = microprocessor number)
- **80070202-0701ffff : Sensor [SensorElementName] has transitioned to critical from a less severe state. (SysBrd Vol Fault)**

This message is for the use case when an implementation has detected a Sensor transitioned to critical from less severe.

May also be shown as 800702020701ffff or 0x800702020701ffff

Severity

Error

Serviceable

Yes

Automatically notify support

No

Alert Category

Critical - Voltage

SNMP Trap ID

1

CIM Information**Prefix: PLAT ID:** 0522**User Response**

1. Check the system-event log.
2. Check for an error LED on the system board.
3. Replace any failing device.

4. Check for a server firmware update. Important: Some cluster solutions require specific code levels or coordinated code updates. If the device is part of a cluster solution, verify that the latest level of code is supported for the cluster solution before you update the code.
5. (Trained technician only) Replace the system board.

- **80070208-0a01ffff : Sensor [SensorElementName] has transitioned to critical from a less severe state. (PS 1 Fan Fault)**

This message is for the use case when an implementation has detected a Sensor transitioned to critical from less severe.

May also be shown as 800702080a01ffff or 0x800702080a01ffff

Severity

Error

Serviceable

Yes

Automatically notify support

No

Alert Category

Critical - Power

SNMP Trap ID

4

CIM Information

Prefix: PLAT **ID:** 0522

User Response

1. Make sure that there are no obstructions, such as bundled cables, to the airflow from the power-supply fan.
2. Use the IBM Power Configurator utility to ensure current system power consumption is under limitation. For more information and to download the utility, go to <http://www-03.ibm.com/systems/bladecenter/resources/powerconfig.html>.
3. Replace power supply n. (n = power supply number) PS 1 OP Fault : PS 1 Therm Fault :

- **80070208-0a02ffff : Sensor [SensorElementName] has transitioned to critical from a less severe state. (PS 2 Fan Fault)**

This message is for the use case when an implementation has detected a Sensor transitioned to critical from less severe.

May also be shown as 800702080a02ffff or 0x800702080a02ffff

Severity

Error

Serviceable

Yes

Automatically notify support

No

Alert Category

Critical - Power

SNMP Trap ID

4

CIM Information

Prefix: PLAT ID: 0522

User Response

1. Make sure that there are no obstructions, such as bundled cables, to the airflow from the power-supply fan.
 2. Use the IBM Power Configurator utility to ensure current system power consumption is under limitation. For more information and to download the utility, go to <http://www-03.ibm.com/systems/bladeCenter/resources/powerconfig.html>.
 3. Replace power supply n. (n = power supply number) PS 2 OP Fault : PS 2 Therm Fault :
- **8007020f-2582ffff : Sensor [SensorElementName] has transitioned to critical from a less severe state. (No PCI I/O Space)**

This message is for the use case when an implementation has detected a Sensor transitioned to critical from less severe.

May also be shown as 8007020f2582ffff or 0x8007020f2582ffff

Severity

Error

Serviceable

Yes

Automatically notify support

No

Alert Category

Critical - Other

SNMP Trap ID

50

CIM Information

Prefix: PLAT ID: 0522

User Response

Complete the following step to solve PCI I/O resource errors:

1. Go to F1 Setup
 2. System Settings
 3. Device and I/O ports
 4. PCI 64 bit Resource and choose enable.
- **80070214-2201ffff : Sensor [SensorElementName] has transitioned to critical from a less severe state. (TPM Lock)**

This message is for the use case when an implementation has detected a Sensor transitioned to critical from less severe.

May also be shown as 800702142201ffff or 0x800702142201ffff

Severity

Error

Serviceable

No

Automatically notify support

No

Alert Category

Critical - Other

SNMP Trap ID

CIM Information

Prefix: PLAT ID: 0522

User Response

1. Update the server firmware (see Recovering the server firmware).
 2. If the problem persists, (trained technician only) replace the system board (see Removing the system board and Installing the system board).
- **80070219-0701ffff : Sensor [SensorElementName] has transitioned to critical from a less severe state. (SysBrd Fault)**

This message is for the use case when an implementation has detected a Sensor transitioned to critical from less severe.

May also be shown as 800702190701ffff or 0x800702190701ffff

Severity

Error

Serviceable

Yes

Automatically notify support

No

Alert Category

Critical - Other

SNMP Trap ID

50

CIM Information

Prefix: PLAT ID: 0522

User Response

1. Check for an error LED on the system board.
 2. Check the system-event log.
 3. Check for the system firmware version and update to the latest version. Important: Some cluster solutions require specific code levels or coordinated code updates. If the device is part of a cluster solution, verify that the latest level of code is supported for the cluster solution before you update the code.
 4. Unplug and restore AC power cord, then, perform step 1 and 2 again.
 5. If problems still occurred, (trained technician only) replace the system board.
- **8007021b-0301ffff : Sensor [SensorElementName] has transitioned to critical from a less severe state. (CPU 1 QPILinkErr)**

This message is for the use case when an implementation has detected a Sensor transitioned to critical from less severe.

May also be shown as 8007021b0301ffff or 0x8007021b0301ffff

Severity

Error

Serviceable

Yes

Automatically notify support

No

Alert Category

Critical - Other

SNMP Trap ID

50

CIM Information**Prefix:** PLAT ID: 0522**User Response**

1. Check for a server firmware update.
 2. Make sure that the installed microprocessors are compatible.
 3. Make sure the microprocessor 2 expansion board is installed correctly (see Installing the microprocessor 2 expansion board).
 4. (Trained technician only) Replace microprocessor 2.
 5. (Trained technician only) Replace microprocessor 2 expansion board.
- **8007021b-0302ffff : Sensor [SensorElementName] has transitioned to critical from a less severe state. (CPU 2 QPILinkErr)**

This message is for the use case when an implementation has detected a Sensor transitioned to critical from less severe.

May also be shown as 8007021b0302ffff or 0x8007021b0302ffff

Severity

Error

Serviceable

Yes

Automatically notify support

No

Alert Category

Critical - Other

SNMP Trap ID

50

CIM Information**Prefix:** PLAT ID: 0522**User Response**

1. Check for a server firmware update.
2. Make sure that the installed microprocessors are compatible.
3. Make sure the microprocessor 2 expansion board is installed correctly (see Installing the microprocessor 2 expansion board).
4. (Trained technician only) Replace microprocessor 2.

5. (Trained technician only) Replace microprocessor 2 expansion board.

- **80070301-0301ffff : Sensor [SensorElementName] has transitioned to non-recoverable from a less severe state. (CPU 1 OverTemp)**

This message is for the use case when an implementation has detected a Sensor transitioned to non-recoverable from less severe.

May also be shown as 800703010301ffff or 0x800703010301ffff

Severity

Error

Serviceable

Yes

Automatically notify support

No

Alert Category

Critical - Temperature

SNMP Trap ID

0

CIM Information

Prefix: PLAT ID: 0524

User Response

1. Make sure that the fans are operating, that there are no obstructions to the airflow (front and rear of the server), that the air baffle is in place and correctly installed, and that the server cover is installed and completely closed.
2. Check the ambient temperature. You must be operating within the specifications (see Server Features and specifications for more information).
3. Make sure that the heat sink for microprocessor n.
4. (Trained technician only) Replace microprocessor n. (n = microprocessor number)

- **80070301-0302ffff : Sensor [SensorElementName] has transitioned to non-recoverable from a less severe state. (CPU 2 OverTemp)**

This message is for the use case when an implementation has detected a Sensor transitioned to non-recoverable from less severe.

May also be shown as 800703010302ffff or 0x800703010302ffff

Severity

Error

Serviceable

Yes

Automatically notify support

No

Alert Category

Critical - Temperature

SNMP Trap ID

0

CIM Information

Prefix: PLAT ID: 0524

User Response

1. Make sure that the fans are operating, that there are no obstructions to the airflow (front and rear of the server), that the air baffle is in place and correctly installed, and that the server cover is installed and completely closed.
 2. Check the ambient temperature. You must be operating within the specifications (see Server Features and specifications for more information).
 3. Make sure that the heat sink for microprocessor n.
 4. (Trained technician only) Replace microprocessor n. (n = microprocessor number)
- **80070608-0a01ffff : Sensor [SensorElementName] has transitioned to non-recoverable.**

This message is for the use case when an implementation has detected a Sensor transitioned to non-recoverable.

May also be shown as 800706080a01ffff or 0x800706080a01ffff

Severity

Error

Serviceable

Yes

Automatically notify support

No

Alert Category

Critical - Power

SNMP Trap ID

4

CIM Information

Prefix: PLAT ID: 0530

User Response

If the specified sensor is PS n 12V OC Fault, complete the following steps until the problem is solved:

1. Use the IBM Power Configurator utility to determine current system power consumption. For more information and to download the utility, go to <http://www-03.ibm.com/systems/bladecenter/resources/powerconfig.html>.
2. Follow actions in "Power Problems and Solving Power Problems".

If the specified sensor is PS n 12V OV Fault, complete the following steps until the problem is solved:

1. Check power supply n LED.
2. Remove the failing power supply.
3. (Trained technician only) Replace the system board. (n = power supply number)

If the specified sensor is PS n 12V UV Fault, complete the following steps until the problem is solved:

1. Check power supply n LED.
2. Remove the failing power supply.
3. Follow actions in "Power Problems and Solving Power Problems".
4. (Trained technician only) Replace the system board. (n = power supply number)

If the specified sensor is PS n 12Vaux Fault, complete the following steps until the problem is solved:

1. Check power supply n LED.

2. Replace power supply n. (n = power supply number)

- **80070608-0a02ffff : Sensor [SensorElementName] has transitioned to non-recoverable.**

This message is for the use case when an implementation has detected a Sensor transitioned to non-recoverable.

May also be shown as 800706080a02ffff or 0x800706080a02ffff

Severity

Error

Serviceable

Yes

Automatically notify support

No

Alert Category

Critical - Power

SNMP Trap ID

4

CIM Information

Prefix: PLAT ID: 0530

User Response

If the specified sensor is PS n 12V OC Fault, complete the following steps until the problem is solved:

1. Use the IBM Power Configurator utility to determine current system power consumption. For more information and to download the utility, go to <http://www-03.ibm.com/systems/bladecenter/resources/powerconfig.html>.
2. Follow actions in "Power Problems and Solving Power Problems".

If the specified sensor is PS n 12V OV Fault, complete the following steps until the problem is solved:

1. Check power supply n LED.
2. Remove the failing power supply.
3. (Trained technician only) Replace the system board. (n = power supply number)

If the specified sensor is PS n 12V UV Fault, complete the following steps until the problem is solved:

1. Check power supply n LED.
2. Remove the failing power supply.
3. Follow actions in "Power Problems and Solving Power Problems".
4. (Trained technician only) Replace the system board. (n = power supply number)

If the specified sensor is PS n 12Vaux Fault, complete the following steps until the problem is solved:

1. Check power supply n LED.
2. Replace power supply n. (n = power supply number)

- **80070614-2201ffff : Sensor [SensorElementName] has transitioned to non-recoverable. (TPM Phys Set)**

This message is for the use case when an implementation has detected a Sensor transitioned to non-recoverable.

May also be shown as 800706142201ffff or 0x800706142201ffff

Severity

Error

Serviceable

Yes

Automatically notify support

No

Alert Category

Critical - Other

SNMP Trap ID

50

CIM Information

Prefix: PLAT ID: 0530

User Response

1. Update the server firmware (see Recovering the server firmware).
2. If the problem persists, (trained technician only) replace the system board (see Removing the system board and Installing the system board).

• **8008010f-2101ffff : Device [LogicalDeviceElementName] has been added. (Phy Presence Jmp)**

This message is for the use case when an implementation has detected a Device was inserted.

May also be shown as 8008010f2101ffff or 0x8008010f2101ffff

Severity

Info

Serviceable

No

Automatically notify support

No

Alert Category

System - Other

SNMP Trap ID

CIM Information

Prefix: PLAT ID: 0536

User Response

No action; information only.

• **80080128-2101ffff : Device [LogicalDeviceElementName] has been added. (Low Security Jmp)**

This message is for the use case when an implementation has detected a Device was inserted.

May also be shown as 800801282101ffff or 0x800801282101ffff

Severity

Info

Serviceable

No

Automatically notify support

No

Alert Category
System - Other

SNMP Trap ID

CIM Information
Prefix: PLAT ID: 0536

User Response
No action; information only.

- **800b0008-1301ffff : Redundancy [RedundancySetElementName] has been restored. (Power Unit)**

This message is for the use case when an implementation has detected Redundancy was Restored.

May also be shown as 800b00081301ffff or 0x800b00081301ffff

Severity
Info

Serviceable
No

Automatically notify support
No

Alert Category
Warning - Redundant Power Supply

SNMP Trap ID
10

CIM Information
Prefix: PLAT ID: 0561

User Response
No action; information only.

- **800b0108-1301ffff : Redundancy Lost for [RedundancySetElementName] has asserted. (Power Unit)**

This message is for the use case when Redundancy Lost has asserted.

May also be shown as 800b01081301ffff or 0x800b01081301ffff

Severity
Error

Serviceable
Yes

Automatically notify support
No

Alert Category
Critical - Redundant Power Supply

SNMP Trap ID
9

CIM Information
Prefix: PLAT ID: 0802

User Response

1. Check the LEDs for both power supplies.
2. Follow the actions in Power-supply LEDs.

- **800b010a-1e81ffff : Redundancy Lost for [RedundancySetElementName] has asserted. (Cooling Zone 1)**

This message is for the use case when Redundancy Lost has asserted.

May also be shown as 800b010a1e81ffff or 0x800b010a1e81ffff

Severity

Error

Serviceable

Yes

Automatically notify support

No

Alert Category

Critical - Fan Failure

SNMP Trap ID

11

CIM Information

Prefix: PLAT ID: 0802

User Response

1. Make sure that the connectors on fan n are not damaged.
2. Make sure that the fan n connectors on the system board are not damaged.
3. Make sure that the fans are correctly installed.
4. Reseat the fans.
5. Replace the fans. (n = fan number)

- **800b010a-1e82ffff : Redundancy Lost for [RedundancySetElementName] has asserted. (Cooling Zone 2)**

This message is for the use case when Redundancy Lost has asserted.

May also be shown as 800b010a1e82ffff or 0x800b010a1e82ffff

Severity

Error

Serviceable

Yes

Automatically notify support

No

Alert Category

Critical - Fan Failure

SNMP Trap ID

11

CIM Information

Prefix: PLAT ID: 0802

User Response

1. Make sure that the connectors on fan n are not damaged.
2. Make sure that the fan n connectors on the system board are not damaged.
3. Make sure that the fans are correctly installed.
4. Reseat the fans.
5. Replace the fans. (n = fan number)

- **800b010c-2581ffff : Redundancy Lost for [RedundancySetElementName] has asserted. (Backup Memory)**

This message is for the use case when Redundancy Lost has asserted.

May also be shown as 800b010c2581ffff or 0x800b010c2581ffff

Severity

Error

Serviceable

Yes

Automatically notify support

No

Alert Category

Critical - Memory

SNMP Trap ID

41

CIM Information

Prefix: PLAT ID: 0802

User Response

1. Check the system-event log for DIMM failure events (uncorrectable or PFA) and correct the failures.
2. Re-enable mirroring in the Setup utility.

- **800b030c-2581ffff : Non-redundant:Sufficient Resources from Redundancy Degraded or Fully Redundant for [RedundancySetElementName] has asserted. (Backup Memory)**

This message is for the use case when a Redundancy Set has transitioned from Redundancy Degraded or Fully Redundant to Non-redundant:Sufficient.

May also be shown as 800b030c2581ffff or 0x800b030c2581ffff

Severity

Warning

Serviceable

Yes

Automatically notify support

No

Alert Category

Warning - Memory

SNMP Trap ID

43

CIM Information

Prefix: PLAT ID: 0806

User Response

1. Check the system-event log for DIMM failure events (uncorrectable or PFA) and correct the failures.
 2. Re-enable mirroring in the Setup utility.
- **800b050a-1e81ffff : Non-redundant:Insufficient Resources for [RedundancySetElementName] has asserted. (Cooling Zone 1)**

This message is for the use case when a Redundancy Set has transitioned to Non-redundant:Insufficient Resources.

May also be shown as 800b050a1e81ffff or 0x800b050a1e81ffff

Severity

Error

Serviceable

Yes

Automatically notify support

No

Alert Category

Critical - Fan Failure

SNMP Trap ID

11

CIM Information

Prefix: PLAT ID: 0810

User Response

1. Make sure that the connectors on fan n are not damaged.
 2. Make sure that the fan n connectors on the system board are not damaged.
 3. Make sure that the fans are correctly installed.
 4. Reseat the fans.
 5. Replace the fans. (n = fan number)
- **800b050a-1e82ffff : Non-redundant:Insufficient Resources for [RedundancySetElementName] has asserted. (Cooling Zone 2)**

This message is for the use case when a Redundancy Set has transitioned to Non-redundant:Insufficient Resources.

May also be shown as 800b050a1e82ffff or 0x800b050a1e82ffff

Severity

Error

Serviceable

Yes

Automatically notify support

No

Alert Category

Critical - Fan Failure

SNMP Trap ID

11

CIM Information

Prefix: PLAT ID: 0810

User Response

1. Make sure that the connectors on fan n are not damaged.
2. Make sure that the fan n connectors on the system board are not damaged.
3. Make sure that the fans are correctly installed.
4. Reseat the fans.
5. Replace the fans. (n = fan number)

- **800b050c-2581ffff : Non-redundant:Insufficient Resources for [RedundancySetElementName] has asserted. (Backup Memory)**

This message is for the use case when a Redundancy Set has transitioned to Non-redundant:Insufficient Resources.

May also be shown as 800b050c2581ffff or 0x800b050c2581ffff

Severity

Error

Serviceable

Yes

Automatically notify support

No

Alert Category

Critical - Memory

SNMP Trap ID

41

CIM Information

Prefix: PLAT ID: 0810

User Response

1. Check the system-event log for DIMM failure events (uncorrectable or PFA) and correct the failures.
2. Re-enable mirroring in the Setup utility.

- **806f0007-0301ffff : [ProcessorElementName] has Failed with IERR. (CPU 1)**

This message is for the use case when an implementation has detected a Processor Failed - IERR Condition.

May also be shown as 806f00070301ffff or 0x806f00070301ffff

Severity

Error

Serviceable

Yes

Automatically notify support

No

Alert Category

Critical - CPU

SNMP Trap ID

40

CIM Information**Prefix:** PLAT ID: 0042**User Response**

1. Update the latest level of system firmware and device drivers are installed for all adapters and standard devices, such as UEFI, IMM Ethernet, and SAS. Important: Some cluster solutions require specific code levels or coordinated code updates. If the device is part of a cluster solution, verify that the latest level of code is supported for the cluster solution before you update the code.
 2. Run the DSA program.
 3. Reseat the adapter.
 4. Replace the adapter.
 5. (Trained technician only) Replace microprocessor n. (n = microprocessor number)
 6. (Trained technician only) Replace the system board.
- **806f0007-0302ffff : [ProcessorElementName] has Failed with IERR. (CPU 2)**

This message is for the use case when an implementation has detected a Processor Failed - IERR Condition.

May also be shown as 806f00070302ffff or 0x806f00070302ffff

Severity

Error

Serviceable

Yes

Automatically notify support

No

Alert Category

Critical - CPU

SNMP Trap ID

40

CIM Information**Prefix:** PLAT ID: 0042**User Response**

1. Update the latest level of system firmware and device drivers are installed for all adapters and standard devices, such as UEFI, IMM Ethernet, and SAS. Important: Some cluster solutions require specific code levels or coordinated code updates. If the device is part of a cluster solution, verify that the latest level of code is supported for the cluster solution before you update the code.
2. Run the DSA program.
3. Reseat the adapter.
4. Replace the adapter.
5. (Trained technician only) Replace microprocessor n. (n = microprocessor number)
6. (Trained technician only) Replace the system board.

- **806f0008-0a01ffff : [PowerSupplyElementName] has been added to container [PhysicalPackageElementName]. (Power Supply 1)**

This message is for the use case when an implementation has detected a Power Supply has been added.

May also be shown as 806f00080a01ffff or 0x806f00080a01ffff

Severity

Info

Serviceable

No

Automatically notify support

No

Alert Category

System - Other

SNMP Trap ID

CIM Information

Prefix: PLAT ID: 0084

User Response

No action; information only.

- **806f0008-0a02ffff : [PowerSupplyElementName] has been added to container [PhysicalPackageElementName]. (Power Supply 2)**

This message is for the use case when an implementation has detected a Power Supply has been added.

May also be shown as 806f00080a02ffff or 0x806f00080a02ffff

Severity

Info

Serviceable

No

Automatically notify support

No

Alert Category

System - Other

SNMP Trap ID

CIM Information

Prefix: PLAT ID: 0084

User Response

No action; information only.

- **806f0009-1301ffff : [PowerSupplyElementName] has been turned off. (Host Power)**

This message is for the use case when an implementation has detected a Power Unit that has been Disabled.

May also be shown as 806f00091301ffff or 0x806f00091301ffff

Severity

Info

Serviceable

No

Automatically notify support

No

Alert Category

System - Power Off

SNMP Trap ID

23

CIM Information

Prefix: PLAT ID: 0106

User Response

No action; information only.

- **806f000d-0400ffff : The Drive [StorageVolumeElementName] has been added. (Drive 0)**

This message is for the use case when an implementation has detected a Drive has been Added.

May also be shown as 806f000d0400ffff or 0x806f000d0400ffff

Severity

Info

Serviceable

No

Automatically notify support

No

Alert Category

Critical - Hard Disk drive

SNMP Trap ID

5

CIM Information

Prefix: PLAT ID: 0162

User Response

No action; information only.

- **806f000d-0401ffff : The Drive [StorageVolumeElementName] has been added. (Drive 1)**

This message is for the use case when an implementation has detected a Drive has been Added.

May also be shown as 806f000d0401ffff or 0x806f000d0401ffff

Severity

Info

Serviceable

No

Automatically notify support

No

Alert Category

Critical - Hard Disk drive

SNMP Trap ID

5

CIM Information

Prefix: PLAT ID: 0162

User Response

No action; information only.

- **806f000d-0402ffff : The Drive [StorageVolumeElementName] has been added. (Drive 2)**

This message is for the use case when an implementation has detected a Drive has been Added.

May also be shown as 806f000d0402ffff or 0x806f000d0402ffff

Severity

Info

Serviceable

No

Automatically notify support

No

Alert Category

Critical - Hard Disk drive

SNMP Trap ID

5

CIM Information

Prefix: PLAT ID: 0162

User Response

No action; information only.

- **806f000d-0403ffff : The Drive [StorageVolumeElementName] has been added. (Drive 3)**

This message is for the use case when an implementation has detected a Drive has been Added.

May also be shown as 806f000d0403ffff or 0x806f000d0403ffff

Severity

Info

Serviceable

No

Automatically notify support

No

Alert Category

Critical - Hard Disk drive

SNMP Trap ID

5

CIM Information

Prefix: PLAT ID: 0162

User Response

No action; information only.

- **806f000d-0404ffff : The Drive [StorageVolumeElementName] has been added. (Drive 4)**

This message is for the use case when an implementation has detected a Drive has been Added.
May also be shown as 806f000d0404ffff or 0x806f000d0404ffff

Severity

Info

Serviceable

No

Automatically notify support

No

Alert Category

Critical - Hard Disk drive

SNMP Trap ID

5

CIM Information

Prefix: PLAT ID: 0162

User Response

No action; information only.

- **806f000d-0405ffff : The Drive [StorageVolumeElementName] has been added. (Drive 5)**

This message is for the use case when an implementation has detected a Drive has been Added.

May also be shown as 806f000d0405ffff or 0x806f000d0405ffff

Severity

Info

Serviceable

No

Automatically notify support

No

Alert Category

Critical - Hard Disk drive

SNMP Trap ID

5

CIM Information

Prefix: PLAT ID: 0162

User Response

No action; information only.

- **806f000d-0406ffff : The Drive [StorageVolumeElementName] has been added. (Drive 6)**

This message is for the use case when an implementation has detected a Drive has been Added.

May also be shown as 806f000d0406ffff or 0x806f000d0406ffff

Severity

Info

Serviceable

No

Automatically notify support

No

Alert Category

Critical - Hard Disk drive

SNMP Trap ID

5

CIM Information

Prefix: PLAT ID: 0162

User Response

No action; information only.

- **806f000d-0407ffff : The Drive [StorageVolumeElementName] has been added. (Drive 7)**

This message is for the use case when an implementation has detected a Drive has been Added.

May also be shown as 806f000d0407ffff or 0x806f000d0407ffff

Severity

Info

Serviceable

No

Automatically notify support

No

Alert Category

Critical - Hard Disk drive

SNMP Trap ID

5

CIM Information

Prefix: PLAT ID: 0162

User Response

No action; information only.

- **806f000f-220101ff : The System [ComputerSystemElementName] has detected no memory in the system. (ABR Status)**

This message is for the use case when an implementation has detected that memory was detected in the system.

May also be shown as 806f000f220101ff or 0x806f000f220101ff

Severity

Error

Serviceable

Yes

Automatically notify support

No

Alert Category

Critical - Memory

SNMP Trap ID

41

CIM Information

Prefix: PLAT ID: 0794

User Response

1. This is a UEFI detected event. The UEFI diagnostic code for this event can be found in the logged IMM message text. Please refer to the UEFI diagnostic code in the "UEFI diagnostic code" section of the Info Center for the appropriate user response.

Firmware Error : Sys Boot Status :

- **806f000f-220102ff : Subsystem [MemoryElementName] has insufficient memory for operation. (ABR Status)**

This message is for the use case when an implementation has detected that the usable Memory is insufficient for operation.

May also be shown as 806f000f220102ff or 0x806f000f220102ff

Severity

Error

Serviceable

Yes

Automatically notify support

No

Alert Category

Critical - Memory

SNMP Trap ID

41

CIM Information

Prefix: PLAT ID: 0132

User Response

1. This is a UEFI detected event. The UEFI diagnostic code for this event can be found in the logged IMM message text. Please refer to the UEFI diagnostic code in the "UEFI diagnostic code" section of the Info Center for the appropriate user response.

Firmware Error : Sys Boot Status :

- **806f000f-220103ff : The System [ComputerSystemElementName] encountered firmware error - unrecoverable boot device failure. (ABR Status)**

This message is for the use case when an implementation has detected that System Firmware Error Unrecoverable boot device failure has occurred.

May also be shown as 806f000f220103ff or 0x806f000f220103ff

Severity

Error

Serviceable

Yes

Automatically notify support

No

Alert Category

Critical - Hard Disk drive

SNMP Trap ID

5

CIM Information**Prefix:** PLAT ID: 0770**User Response**

1. This is a UEFI detected event. The UEFI diagnostic code for this event can be found in the logged IMM message text. Please refer to the UEFI diagnostic code in the "UEFI diagnostic code" section of the Info Center for the appropriate user response.

Firmware Error : Sys Boot Status :

- **806f000f-220104ff : The System [ComputerSystemElementName]has encountered a motherboard failure. (ABR Status)**

This message is for the use case when an implementation has detected that a fatal motherboard failure in the system.

May also be shown as 806f000f220104ff or 0x806f000f220104ff

Severity

Error

Serviceable

Yes

Automatically notify support

No

Alert Category

Critical - Other

SNMP Trap ID

50

CIM Information**Prefix:** PLAT ID: 0795**User Response**

1. This is a UEFI detected event. The UEFI diagnostic code for this event can be found in the logged IMM message text. Please refer to the UEFI diagnostic code in the "UEFI diagnostic code" section of the Info Center for the appropriate user response.

Firmware Error : Sys Boot Status :

- **806f000f-220107ff : The System [ComputerSystemElementName] encountered firmware error - unrecoverable keyboard failure. (ABR Status)**

This message is for the use case when an implementation has detected that System Firmware Error Unrecoverable Keyboard failure has occurred.

May also be shown as 806f000f220107ff or 0x806f000f220107ff

Severity

Error

Serviceable

Yes

Automatically notify support

No

Alert Category

Critical - Other

SNMP Trap ID

50

CIM Information

Prefix: PLAT ID: 0764

User Response

1. This is a UEFI detected event. The UEFI diagnostic code for this event can be found in the logged IMM message text. Please refer to the UEFI diagnostic code in the "UEFI diagnostic code" section of the Info Center for the appropriate user response.

Firmware Error : Sys Boot Status :

- **806f000f-22010aff : The System [ComputerSystemElementName] encountered firmware error - no video device detected. (ABR Status)**

This message is for the use case when an implementation has detected that System Firmware Error No video device detected has occurred.

May also be shown as 806f000f22010aff or 0x806f000f22010aff

Severity

Error

Serviceable

Yes

Automatically notify support

No

Alert Category

Critical - Other

SNMP Trap ID

50

CIM Information

Prefix: PLAT ID: 0766

User Response

1. This is a UEFI detected event. The UEFI diagnostic code for this event can be found in the logged IMM message text. Please refer to the UEFI diagnostic code in the "UEFI diagnostic code" section of the Info Center for the appropriate user response.

Firmware Error : Sys Boot Status :

- **806f000f-22010bff : Firmware BIOS (ROM) corruption was detected on system [ComputerSystemElementName] during POST. (ABR Status)**

Firmware BIOS (ROM) corruption was detected on the system during POST.

May also be shown as 806f000f22010bff or 0x806f000f22010bff

Severity

Info

Serviceable

Yes

Automatically notify support

No

Alert Category

Critical - Other

SNMP Trap ID

40

CIM Information

Prefix: PLAT ID: 0850

User Response

1. Make sure the server meets the minimum configuration to start (see Power-supply LEDs).
2. Recover the server firmware from the backup page: a. Restart the server. b. At the prompt, press F3 to recover the firmware.
3. Update the server firmware to the latest level (see Updating the firmware). Important: Some cluster solutions require specific code levels or coordinated code updates. If the device is part of a cluster solution, verify that the latest level of code is supported for the cluster solution before you update the code.
4. Remove components one at a time, restarting the server each time, to see if the problem goes away.
5. If the problem remains, (trained service technician) replace the system board.

Firmware Error : Sys Boot Status :

- **806f000f-22010cff : CPU voltage mismatch detected on [ProcessorElementName]. (ABR Status)**

This message is for the use case when an implementation has detected a CPU voltage mismatch with the socket voltage.

May also be shown as 806f000f22010cff or 0x806f000f22010cff

Severity

Error

Serviceable

Yes

Automatically notify support

No

Alert Category

Critical - CPU

SNMP Trap ID

40

CIM Information

Prefix: PLAT ID: 0050

User Response

This is a UEFI detected event. The UEFI diagnostic code for this event can be found in the logged IMM message text. Please refer to the UEFI diagnostic code in the "UEFI diagnostic code" section of the Info Center for the appropriate user response. Firmware Error : Sys Boot Status :

- **806f000f-2201ffff : The System [ComputerSystemElementName] encountered a POST Error. (ABR Status)**

This message is for the use case when an implementation has detected a Post Error.

May also be shown as 806f000f2201ffff or 0x806f000f2201ffff

Severity

Error

Serviceable

Yes

Automatically notify support

No

Alert Category

Critical - Other

SNMP Trap ID

50

CIM Information**Prefix: PLAT ID:** 0184**User Response**

This is a UEFI detected event. The UEFI diagnostic code for this event can be found in the logged IMM message text. Please refer to the UEFI diagnostic code in the "UEFI diagnostic code" section of the Info Center for the appropriate user response. Firmware Error : Sys Boot Status :

- **806f0013-1701ffff : A diagnostic interrupt has occurred on system [ComputerSystemElementName]. (NMI State)**

This message is for the use case when an implementation has detected a Front Panel NMI / Diagnostic Interrupt.

May also be shown as 806f00131701ffff or 0x806f00131701ffff

Severity

Error

Serviceable

Yes

Automatically notify support

No

Alert Category

Critical - Other

SNMP Trap ID

50

CIM Information**Prefix: PLAT ID:** 0222**User Response**

If the NMI button has not been pressed, complete the following steps:

1. Make sure that the NMI button is not pressed.
2. Replace the operator information panel cable.
3. Replace the operator information panel.

- **806f0021-2201ffff : Fault in slot [PhysicalConnectorSystemElementName] on system [ComputerSystemElementName]. (No Op ROM Space)**

This message is for the use case when an implementation has detected a Fault in a slot.

May also be shown as 806f00212201ffff or 0x806f00212201ffff

Severity

Error

Serviceable

Yes

Automatically notify support

Yes

Alert Category

Critical - Other

SNMP Trap ID

50

CIM Information

Prefix: PLAT ID: 0330

User Response

1. Check the PCI LED.
 2. Reseat the affected adapters and riser card.
 3. Update the server firmware (UEFI and IMM) and adapter firmware. Important: Some cluster solutions require specific code levels or coordinated code updates. If the device is part of a cluster solution, verify that the latest level of code is supported for the cluster solution before you update the code.
 4. Replace the affected adapters.
 5. Replace the riser card.
 6. (Trained service technicians only) Replace the system board.
- **806f0021-2582ffff : Fault in slot [PhysicalConnectorSystemElementName] on system [ComputerSystemElementName]. (All PCI Error)**

This message is for the use case when an implementation has detected a Fault in a slot.

May also be shown as 806f00212582ffff or 0x806f00212582ffff

Severity

Error

Serviceable

Yes

Automatically notify support

Yes

Alert Category

Critical - Other

SNMP Trap ID

50

CIM Information

Prefix: PLAT ID: 0330

User Response

1. Check the PCI LED.
2. Reseat the affected adapters and riser card.
3. Update the server firmware (UEFI and IMM) and adapter firmware. Important: Some cluster solutions require specific code levels or coordinated code updates. If the device is part of a

cluster solution, verify that the latest level of code is supported for the cluster solution before you update the code.

4. Replace the affected adapters.
5. Replace the riser card.
6. (Trained service technicians only) Replace the system board.

- **806f0021-3001ffff : Fault in slot [PhysicalConnectorSystemElementName] on system [ComputerSystemElementName]. (PCI 1-3)**

This message is for the use case when an implementation has detected a Fault in a slot.

May also be shown as 806f00213001ffff or 0x806f00213001ffff

Severity

Error

Serviceable

Yes

Automatically notify support

Yes

Alert Category

Critical - Other

SNMP Trap ID

50

CIM Information

Prefix: PLAT ID: 0330

User Response

1. Check the PCI LED.
2. Reseat the affected adapters and riser card.
3. Update the server firmware (UEFI and IMM) and adapter firmware. Important: Some cluster solutions require specific code levels or coordinated code updates. If the device is part of a cluster solution, verify that the latest level of code is supported for the cluster solution before you update the code.
4. Replace the affected adapters.
5. Replace the riser card.
6. (Trained service technicians only) Replace the system board.

- **806f0023-2101ffff : Watchdog Timer expired for [WatchdogElementName]. (IPMI Watchdog)**

This message is for the use case when an implementation has detected a Watchdog Timer Expired.

May also be shown as 806f00232101ffff or 0x806f00232101ffff

Severity

Info

Serviceable

No

Automatically notify support

No

Alert Category

System - Other

SNMP Trap ID

CIM Information

Prefix: PLAT ID: 0368

User Response

No action; information only.

- **806f0028-2101ffff : Sensor [SensorElementName] is unavailable or degraded on management system [ComputerSystemElementName]. (TPM Cmd Failures)**

This message is for the use case when an implementation has detected a Sensor is Unavailable or degraded.

May also be shown as 806f00282101ffff or 0x806f00282101ffff

Severity

Warning

Serviceable

Yes

Automatically notify support

No

Alert Category

Warning - Other

SNMP Trap ID

60

CIM Information

Prefix: PLAT ID: 0398

User Response

1. Turn off the server and disconnect the power cords. Reconnect the power cords and restart the server.
2. If the problem remains, (trained technician only) replace the system board.

- **806f0107-0301ffff : An Over-Temperature Condition has been detected on [ProcessorElementName]. (CPU 1)**

This message is for the use case when an implementation has detected an Over-Temperature Condition Detected for Processor.

May also be shown as 806f01070301ffff or 0x806f01070301ffff

Severity

Error

Serviceable

Yes

Automatically notify support

No

Alert Category

Critical - Temperature

SNMP Trap ID

0

CIM Information

Prefix: PLAT ID: 0036

User Response

1. Make sure that the fans are operating. There are no obstructions to the airflow (front and rear of the server), the air baffles are in place and correctly installed, and the server cover is installed and completely closed.
2. Make sure that the heat sink for microprocessor n is installed correctly.
3. (Trained technician only) Replace microprocessor n. (n = microprocessor number)

• **806f0107-0302ffff : An Over-Temperature Condition has been detected on [ProcessorElementName]. (CPU 2)**

This message is for the use case when an implementation has detected an Over-Temperature Condition Detected for Processor.

May also be shown as 806f01070302ffff or 0x806f01070302ffff

Severity

Error

Serviceable

Yes

Automatically notify support

No

Alert Category

Critical - Temperature

SNMP Trap ID

0

CIM Information

Prefix: PLAT ID: 0036

User Response

1. Make sure that the fans are operating. There are no obstructions to the airflow (front and rear of the server), the air baffles are in place and correctly installed, and the server cover is installed and completely closed.
2. Make sure that the heat sink for microprocessor n is installed correctly.
3. (Trained technician only) Replace microprocessor n. (n = microprocessor number)

• **806f0108-0a01ffff : [PowerSupplyElementName] has Failed. (Power Supply 1)**

This message is for the use case when an implementation has detected a Power Supply has failed.

May also be shown as 806f01080a01ffff or 0x806f01080a01ffff

Severity

Error

Serviceable

Yes

Automatically notify support

Yes

Alert Category

Critical - Power

SNMP Trap ID

4

CIM Information

Prefix: PLAT ID: 0086

User Response

1. Reseat power supply n.
2. If the power-on LED is not lit and the power-supply error LED is lit, replace power supply n.
3. If both the power-on LED and the power-supply error LED are not lit, see Power problems for more information. (n = power supply number)

- **806f0108-0a02ffff : [PowerSupplyElementName] has Failed. (Power Supply 2)**

This message is for the use case when an implementation has detected a Power Supply has failed.

May also be shown as 806f01080a02ffff or 0x806f01080a02ffff

Severity

Error

Serviceable

Yes

Automatically notify support

Yes

Alert Category

Critical - Power

SNMP Trap ID

4

CIM Information

Prefix: PLAT ID: 0086

User Response

1. Reseat power supply n.
2. If the power-on LED is not lit and the power-supply error LED is lit, replace power supply n.
3. If both the power-on LED and the power-supply error LED are not lit, see Power problems for more information. (n = power supply number)

- **806f0109-1301ffff : [PowerSupplyElementName] has been Power Cycled. (Host Power)**

This message is for the use case when an implementation has detected a Power Unit that has been power cycled.

May also be shown as 806f01091301ffff or 0x806f01091301ffff

Severity

Info

Serviceable

No

Automatically notify support

No

Alert Category

System - Other

SNMP Trap ID**CIM Information**

Prefix: PLAT ID: 0108

User Response

No action; information only.

- **806f010c-2001ffff : Uncorrectable error detected for [PhysicalMemoryElementName] on Subsystem [MemoryElementName]. (DIMM 1)**

This message is for the use case when an implementation has detected a Memory uncorrectable error.

May also be shown as 806f010c2001ffff or 0x806f010c2001ffff

Severity

Error

Serviceable

Yes

Automatically notify support

Yes

Alert Category

Critical - Memory

SNMP Trap ID

41

CIM Information

Prefix: PLAT ID: 0138

User Response

Note: Each time you install or remove a DIMM, you must disconnect the server from the power source; then, wait 10 seconds before restarting the server.

1. Check the IBM support website for an applicable retain tip or firmware update that applies to this memory error.
 2. Manually re-enable all affected DIMMs.
 3. Swap the affected DIMMs (as indicated by the error LEDs on the system board or the event logs) to a different memory channel or microprocessor.
 4. If the problem follows the DIMM, replace the failing DIMM.
 5. (Trained technician only) If the problem occurs on the same DIMM connector, check the DIMM connector. If the connector contains any foreign material or is damaged, replace the system board.
 6. (Trained technician only) Remove the affected microprocessor and check the microprocessor socket pins for any damaged pins. If a damage is found, replace the system board.
 7. (Trained technician only) Replace the affected microprocessor.
- **806f010c-2002ffff : Uncorrectable error detected for [PhysicalMemoryElementName] on Subsystem [MemoryElementName]. (DIMM 2)**

This message is for the use case when an implementation has detected a Memory uncorrectable error.

May also be shown as 806f010c2002ffff or 0x806f010c2002ffff

Severity

Error

Serviceable

Yes

Automatically notify support

Yes

Alert Category

Critical - Memory

SNMP Trap ID

41

CIM Information

Prefix: PLAT ID: 0138

User Response

Note: Each time you install or remove a DIMM, you must disconnect the server from the power source; then, wait 10 seconds before restarting the server.

1. Check the IBM support website for an applicable retain tip or firmware update that applies to this memory error.
 2. Manually re-enable all affected DIMMs.
 3. Swap the affected DIMMs (as indicated by the error LEDs on the system board or the event logs) to a different memory channel or microprocessor.
 4. If the problem follows the DIMM, replace the failing DIMM.
 5. (Trained technician only) If the problem occurs on the same DIMM connector, check the DIMM connector. If the connector contains any foreign material or is damaged, replace the system board.
 6. (Trained technician only) Remove the affected microprocessor and check the microprocessor socket pins for any damaged pins. If a damage is found, replace the system board.
 7. (Trained technician only) Replace the affected microprocessor.
- **806f010c-2003ffff : Uncorrectable error detected for [PhysicalMemoryElementName] on Subsystem [MemoryElementName]. (DIMM 3)**

This message is for the use case when an implementation has detected a Memory uncorrectable error.

May also be shown as 806f010c2003ffff or 0x806f010c2003ffff

Severity

Error

Serviceable

Yes

Automatically notify support

Yes

Alert Category

Critical - Memory

SNMP Trap ID

41

CIM Information

Prefix: PLAT ID: 0138

User Response

Note: Each time you install or remove a DIMM, you must disconnect the server from the power source; then, wait 10 seconds before restarting the server.

1. Check the IBM support website for an applicable retain tip or firmware update that applies to this memory error.
 2. Manually re-enable all affected DIMMs.
 3. Swap the affected DIMMs (as indicated by the error LEDs on the system board or the event logs) to a different memory channel or microprocessor.
 4. If the problem follows the DIMM, replace the failing DIMM.
 5. (Trained technician only) If the problem occurs on the same DIMM connector, check the DIMM connector. If the connector contains any foreign material or is damaged, replace the system board.
 6. (Trained technician only) Remove the affected microprocessor and check the microprocessor socket pins for any damaged pins. If a damage is found, replace the system board.
 7. (Trained technician only) Replace the affected microprocessor.
- **806f010c-2004ffff : Uncorrectable error detected for [PhysicalMemoryElementName] on Subsystem [MemoryElementName]. (DIMM 4)**

This message is for the use case when an implementation has detected a Memory uncorrectable error.

May also be shown as 806f010c2004ffff or 0x806f010c2004ffff

Severity

Error

Serviceable

Yes

Automatically notify support

Yes

Alert Category

Critical - Memory

SNMP Trap ID

41

CIM Information

Prefix: PLAT ID: 0138

User Response

Note: Each time you install or remove a DIMM, you must disconnect the server from the power source; then, wait 10 seconds before restarting the server.

1. Check the IBM support website for an applicable retain tip or firmware update that applies to this memory error.
2. Manually re-enable all affected DIMMs.
3. Swap the affected DIMMs (as indicated by the error LEDs on the system board or the event logs) to a different memory channel or microprocessor.
4. If the problem follows the DIMM, replace the failing DIMM.
5. (Trained technician only) If the problem occurs on the same DIMM connector, check the DIMM connector. If the connector contains any foreign material or is damaged, replace the system board.

6. (Trained technician only) Remove the affected microprocessor and check the microprocessor socket pins for any damaged pins. If a damage is found, replace the system board.
7. (Trained technician only) Replace the affected microprocessor.

- **806f010c-2005ffff : Uncorrectable error detected for [PhysicalMemoryElementName] on Subsystem [MemoryElementName]. (DIMM 5)**

This message is for the use case when an implementation has detected a Memory uncorrectable error.
May also be shown as 806f010c2005ffff or 0x806f010c2005ffff

Severity

Error

Serviceable

Yes

Automatically notify support

Yes

Alert Category

Critical - Memory

SNMP Trap ID

41

CIM Information

Prefix: PLAT ID: 0138

User Response

Note: Each time you install or remove a DIMM, you must disconnect the server from the power source; then, wait 10 seconds before restarting the server.

1. Check the IBM support website for an applicable retain tip or firmware update that applies to this memory error.
2. Manually re-enable all affected DIMMs.
3. Swap the affected DIMMs (as indicated by the error LEDs on the system board or the event logs) to a different memory channel or microprocessor.
4. If the problem follows the DIMM, replace the failing DIMM.
5. (Trained technician only) If the problem occurs on the same DIMM connector, check the DIMM connector. If the connector contains any foreign material or is damaged, replace the system board.
6. (Trained technician only) Remove the affected microprocessor and check the microprocessor socket pins for any damaged pins. If a damage is found, replace the system board.
7. (Trained technician only) Replace the affected microprocessor.

- **806f010c-2006ffff : Uncorrectable error detected for [PhysicalMemoryElementName] on Subsystem [MemoryElementName]. (DIMM 6)**

This message is for the use case when an implementation has detected a Memory uncorrectable error.
May also be shown as 806f010c2006ffff or 0x806f010c2006ffff

Severity

Error

Serviceable

Yes

Automatically notify support

Yes

Alert Category

Critical - Memory

SNMP Trap ID

41

CIM Information

Prefix: PLAT ID: 0138

User Response

Note: Each time you install or remove a DIMM, you must disconnect the server from the power source; then, wait 10 seconds before restarting the server.

1. Check the IBM support website for an applicable retain tip or firmware update that applies to this memory error.
 2. Manually re-enable all affected DIMMs.
 3. Swap the affected DIMMs (as indicated by the error LEDs on the system board or the event logs) to a different memory channel or microprocessor.
 4. If the problem follows the DIMM, replace the failing DIMM.
 5. (Trained technician only) If the problem occurs on the same DIMM connector, check the DIMM connector. If the connector contains any foreign material or is damaged, replace the system board.
 6. (Trained technician only) Remove the affected microprocessor and check the microprocessor socket pins for any damaged pins. If a damage is found, replace the system board.
 7. (Trained technician only) Replace the affected microprocessor.
- **806f010c-2007ffff : Uncorrectable error detected for [PhysicalMemoryElementName] on Subsystem [MemoryElementName]. (DIMM 7)**

This message is for the use case when an implementation has detected a Memory uncorrectable error.

May also be shown as 806f010c2007ffff or 0x806f010c2007ffff

Severity

Error

Serviceable

Yes

Automatically notify support

Yes

Alert Category

Critical - Memory

SNMP Trap ID

41

CIM Information

Prefix: PLAT ID: 0138

User Response

Note: Each time you install or remove a DIMM, you must disconnect the server from the power source; then, wait 10 seconds before restarting the server.

1. Check the IBM support website for an applicable retain tip or firmware update that applies to this memory error.

2. Manually re-enable all affected DIMMs.
3. Swap the affected DIMMs (as indicated by the error LEDs on the system board or the event logs) to a different memory channel or microprocessor.
4. If the problem follows the DIMM, replace the failing DIMM.
5. (Trained technician only) If the problem occurs on the same DIMM connector, check the DIMM connector. If the connector contains any foreign material or is damaged, replace the system board.
6. (Trained technician only) Remove the affected microprocessor and check the microprocessor socket pins for any damaged pins. If a damage is found, replace the system board.
7. (Trained technician only) Replace the affected microprocessor.

- **806f010c-2008ffff : Uncorrectable error detected for [PhysicalMemoryElementName] on Subsystem [MemoryElementName]. (DIMM 8)**

This message is for the use case when an implementation has detected a Memory uncorrectable error.

May also be shown as 806f010c2008ffff or 0x806f010c2008ffff

Severity

Error

Serviceable

Yes

Automatically notify support

Yes

Alert Category

Critical - Memory

SNMP Trap ID

41

CIM Information

Prefix: PLAT ID: 0138

User Response

Note: Each time you install or remove a DIMM, you must disconnect the server from the power source; then, wait 10 seconds before restarting the server.

1. Check the IBM support website for an applicable retain tip or firmware update that applies to this memory error.
2. Manually re-enable all affected DIMMs.
3. Swap the affected DIMMs (as indicated by the error LEDs on the system board or the event logs) to a different memory channel or microprocessor.
4. If the problem follows the DIMM, replace the failing DIMM.
5. (Trained technician only) If the problem occurs on the same DIMM connector, check the DIMM connector. If the connector contains any foreign material or is damaged, replace the system board.
6. (Trained technician only) Remove the affected microprocessor and check the microprocessor socket pins for any damaged pins. If a damage is found, replace the system board.
7. (Trained technician only) Replace the affected microprocessor.

- **806f010c-2009ffff : Uncorrectable error detected for [PhysicalMemoryElementName] on Subsystem [MemoryElementName]. (DIMM 9)**

This message is for the use case when an implementation has detected a Memory uncorrectable error.
May also be shown as 806f010c2009ffff or 0x806f010c2009ffff

Severity

Error

Serviceable

Yes

Automatically notify support

Yes

Alert Category

Critical - Memory

SNMP Trap ID

41

CIM Information

Prefix: PLAT ID: 0138

User Response

Note: Each time you install or remove a DIMM, you must disconnect the server from the power source; then, wait 10 seconds before restarting the server.

1. Check the IBM support website for an applicable retain tip or firmware update that applies to this memory error.
 2. Manually re-enable all affected DIMMs.
 3. Swap the affected DIMMs (as indicated by the error LEDs on the system board or the event logs) to a different memory channel or microprocessor.
 4. If the problem follows the DIMM, replace the failing DIMM.
 5. (Trained technician only) If the problem occurs on the same DIMM connector, check the DIMM connector. If the connector contains any foreign material or is damaged, replace the system board.
 6. (Trained technician only) Remove the affected microprocessor and check the microprocessor socket pins for any damaged pins. If a damage is found, replace the system board.
 7. (Trained technician only) Replace the affected microprocessor.
- **806f010c-200affff : Uncorrectable error detected for [PhysicalMemoryElementName] on Subsystem [MemoryElementName]. (DIMM 10)**

This message is for the use case when an implementation has detected a Memory uncorrectable error.
May also be shown as 806f010c200affff or 0x806f010c200affff

Severity

Error

Serviceable

Yes

Automatically notify support

Yes

Alert Category

Critical - Memory

SNMP Trap ID

41

CIM Information

Prefix: PLAT ID: 0138

User Response

Note: Each time you install or remove a DIMM, you must disconnect the server from the power source; then, wait 10 seconds before restarting the server.

1. Check the IBM support website for an applicable retain tip or firmware update that applies to this memory error.
 2. Manually re-enable all affected DIMMs.
 3. Swap the affected DIMMs (as indicated by the error LEDs on the system board or the event logs) to a different memory channel or microprocessor.
 4. If the problem follows the DIMM, replace the failing DIMM.
 5. (Trained technician only) If the problem occurs on the same DIMM connector, check the DIMM connector. If the connector contains any foreign material or is damaged, replace the system board.
 6. (Trained technician only) Remove the affected microprocessor and check the microprocessor socket pins for any damaged pins. If a damage is found, replace the system board.
 7. (Trained technician only) Replace the affected microprocessor.
- **806f010c-200bffff : Uncorrectable error detected for [PhysicalMemoryElementName] on Subsystem [MemoryElementName]. (DIMM 11)**

This message is for the use case when an implementation has detected a Memory uncorrectable error.

May also be shown as 806f010c200bffff or 0x806f010c200bffff

Severity

Error

Serviceable

Yes

Automatically notify support

Yes

Alert Category

Critical - Memory

SNMP Trap ID

41

CIM Information

Prefix: PLAT ID: 0138

User Response

Note: Each time you install or remove a DIMM, you must disconnect the server from the power source; then, wait 10 seconds before restarting the server.

1. Check the IBM support website for an applicable retain tip or firmware update that applies to this memory error.
2. Manually re-enable all affected DIMMs.
3. Swap the affected DIMMs (as indicated by the error LEDs on the system board or the event logs) to a different memory channel or microprocessor.
4. If the problem follows the DIMM, replace the failing DIMM.

5. (Trained technician only) If the problem occurs on the same DIMM connector, check the DIMM connector. If the connector contains any foreign material or is damaged, replace the system board.
6. (Trained technician only) Remove the affected microprocessor and check the microprocessor socket pins for any damaged pins. If a damage is found, replace the system board.
7. (Trained technician only) Replace the affected microprocessor.

- **806f010c-200cffff : Uncorrectable error detected for [PhysicalMemoryElementName] on Subsystem [MemoryElementName]. (DIMM 12)**

This message is for the use case when an implementation has detected a Memory uncorrectable error.

May also be shown as 806f010c200cffff or 0x806f010c200cffff

Severity

Error

Serviceable

Yes

Automatically notify support

Yes

Alert Category

Critical - Memory

SNMP Trap ID

41

CIM Information

Prefix: PLAT ID: 0138

User Response

Note: Each time you install or remove a DIMM, you must disconnect the server from the power source; then, wait 10 seconds before restarting the server.

1. Check the IBM support website for an applicable retain tip or firmware update that applies to this memory error.
2. Manually re-enable all affected DIMMs.
3. Swap the affected DIMMs (as indicated by the error LEDs on the system board or the event logs) to a different memory channel or microprocessor.
4. If the problem follows the DIMM, replace the failing DIMM.
5. (Trained technician only) If the problem occurs on the same DIMM connector, check the DIMM connector. If the connector contains any foreign material or is damaged, replace the system board.
6. (Trained technician only) Remove the affected microprocessor and check the microprocessor socket pins for any damaged pins. If a damage is found, replace the system board.
7. (Trained technician only) Replace the affected microprocessor.

- **806f010c-2581ffff : Uncorrectable error detected for [PhysicalMemoryElementName] on Subsystem [MemoryElementName]. (All DIMMS)**

This message is for the use case when an implementation has detected a Memory uncorrectable error.

May also be shown as 806f010c2581ffff or 0x806f010c2581ffff

Severity

Error

Serviceable

Yes

Automatically notify support

Yes

Alert Category

Critical - Memory

SNMP Trap ID

41

CIM Information

Prefix: PLAT ID: 0138

User Response

Note: Each time you install or remove a DIMM, you must disconnect the server from the power source; then, wait 10 seconds before restarting the server.

1. Check the IBM support website for an applicable retain tip or firmware update that applies to this memory error.
 2. Manually re-enable all affected DIMMs.
 3. Swap the affected DIMMs (as indicated by the error LEDs on the system board or the event logs) to a different memory channel or microprocessor.
 4. If the problem follows the DIMM, replace the failing DIMM.
 5. (Trained technician only) If the problem occurs on the same DIMM connector, check the DIMM connector. If the connector contains any foreign material or is damaged, replace the system board.
 6. (Trained technician only) Remove the affected microprocessor and check the microprocessor socket pins for any damaged pins. If a damage is found, replace the system board.
 7. (Trained technician only) Replace the affected microprocessor. One of the DIMMs :
- **806f010d-0400ffff : The Drive [StorageVolumeElementName] has been disabled due to a detected fault. (Drive 0)**

This message is for the use case when an implementation has detected a Drive was Disabled due to fault.

May also be shown as 806f010d0400ffff or 0x806f010d0400ffff

Severity

Error

Serviceable

Yes

Automatically notify support

Yes

Alert Category

Critical - Hard Disk drive

SNMP Trap ID

5

CIM Information

Prefix: PLAT ID: 0164

User Response

1. Run the hard disk drive diagnostic test on drive n.

2. Reseat the following components: a. Hard disk drive (wait 1 minute or more before reinstalling the drive) b. Cable from the system board to the backplane
3. Replace the following components one at a time, in the order shown, restarting the server each time: a. Hard disk drive b. Cable from the system board to the backplane c. Hard disk drive backplane (n = hard disk drive number)

- **806f010d-0401ffff : The Drive [StorageVolumeElementName] has been disabled due to a detected fault. (Drive 1)**

This message is for the use case when an implementation has detected a Drive was Disabled due to fault. May also be shown as 806f010d0401ffff or 0x806f010d0401ffff

Severity

Error

Serviceable

Yes

Automatically notify support

Yes

Alert Category

Critical - Hard Disk drive

SNMP Trap ID

5

CIM Information

Prefix: PLAT ID: 0164

User Response

1. Run the hard disk drive diagnostic test on drive n.
2. Reseat the following components: a. Hard disk drive (wait 1 minute or more before reinstalling the drive) b. Cable from the system board to the backplane
3. Replace the following components one at a time, in the order shown, restarting the server each time: a. Hard disk drive b. Cable from the system board to the backplane c. Hard disk drive backplane (n = hard disk drive number)

- **806f010d-0402ffff : The Drive [StorageVolumeElementName] has been disabled due to a detected fault. (Drive 2)**

This message is for the use case when an implementation has detected a Drive was Disabled due to fault. May also be shown as 806f010d0402ffff or 0x806f010d0402ffff

Severity

Error

Serviceable

Yes

Automatically notify support

Yes

Alert Category

Critical - Hard Disk drive

SNMP Trap ID

5

CIM Information

Prefix: PLAT ID: 0164

User Response

1. Run the hard disk drive diagnostic test on drive n.
 2. Reseat the following components: a. Hard disk drive (wait 1 minute or more before reinstalling the drive) b. Cable from the system board to the backplane
 3. Replace the following components one at a time, in the order shown, restarting the server each time: a. Hard disk drive b. Cable from the system board to the backplane c. Hard disk drive backplane (n = hard disk drive number)
- **806f010d-0403ffff : The Drive [StorageVolumeElementName] has been disabled due to a detected fault. (Drive 3)**

This message is for the use case when an implementation has detected a Drive was Disabled due to fault.

May also be shown as 806f010d0403ffff or 0x806f010d0403ffff

Severity

Error

Serviceable

Yes

Automatically notify support

Yes

Alert Category

Critical - Hard Disk drive

SNMP Trap ID

5

CIM Information

Prefix: PLAT ID: 0164

User Response

1. Run the hard disk drive diagnostic test on drive n.
 2. Reseat the following components: a. Hard disk drive (wait 1 minute or more before reinstalling the drive) b. Cable from the system board to the backplane
 3. Replace the following components one at a time, in the order shown, restarting the server each time: a. Hard disk drive b. Cable from the system board to the backplane c. Hard disk drive backplane (n = hard disk drive number)
- **806f010d-0404ffff : The Drive [StorageVolumeElementName] has been disabled due to a detected fault. (Drive 4)**

This message is for the use case when an implementation has detected a Drive was Disabled due to fault.

May also be shown as 806f010d0404ffff or 0x806f010d0404ffff

Severity

Error

Serviceable

Yes

Automatically notify support

Yes

Alert Category

Critical - Hard Disk drive

SNMP Trap ID

5

CIM Information

Prefix: PLAT ID: 0164

User Response

1. Run the hard disk drive diagnostic test on drive n.
 2. Reseat the following components: a. Hard disk drive (wait 1 minute or more before reinstalling the drive) b. Cable from the system board to the backplane
 3. Replace the following components one at a time, in the order shown, restarting the server each time: a. Hard disk drive b. Cable from the system board to the backplane c. Hard disk drive backplane (n = hard disk drive number)
- **806f010d-0405ffff : The Drive [StorageVolumeElementName] has been disabled due to a detected fault. (Drive 5)**

This message is for the use case when an implementation has detected a Drive was Disabled due to fault.

May also be shown as 806f010d0405ffff or 0x806f010d0405ffff

Severity

Error

Serviceable

Yes

Automatically notify support

Yes

Alert Category

Critical - Hard Disk drive

SNMP Trap ID

5

CIM Information

Prefix: PLAT ID: 0164

User Response

1. Run the hard disk drive diagnostic test on drive n.
 2. Reseat the following components: a. Hard disk drive (wait 1 minute or more before reinstalling the drive) b. Cable from the system board to the backplane
 3. Replace the following components one at a time, in the order shown, restarting the server each time: a. Hard disk drive b. Cable from the system board to the backplane c. Hard disk drive backplane (n = hard disk drive number)
- **806f010d-0406ffff : The Drive [StorageVolumeElementName] has been disabled due to a detected fault. (Drive 6)**

This message is for the use case when an implementation has detected a Drive was Disabled due to fault.

May also be shown as 806f010d0406ffff or 0x806f010d0406ffff

Severity

Error

Serviceable

Yes

Automatically notify support

Yes

Alert Category

Critical - Hard Disk drive

SNMP Trap ID

5

CIM Information

Prefix: PLAT ID: 0164

User Response

1. Run the hard disk drive diagnostic test on drive n.
 2. Reseat the following components: a. Hard disk drive (wait 1 minute or more before reinstalling the drive) b. Cable from the system board to the backplane
 3. Replace the following components one at a time, in the order shown, restarting the server each time: a. Hard disk drive b. Cable from the system board to the backplane c. Hard disk drive backplane (n = hard disk drive number)
- **806f010d-0407ffff : The Drive [StorageVolumeElementName] has been disabled due to a detected fault. (Drive 7)**

This message is for the use case when an implementation has detected a Drive was Disabled due to fault.

May also be shown as 806f010d0407ffff or 0x806f010d0407ffff

Severity

Error

Serviceable

Yes

Automatically notify support

Yes

Alert Category

Critical - Hard Disk drive

SNMP Trap ID

5

CIM Information

Prefix: PLAT ID: 0164

User Response

1. Run the hard disk drive diagnostic test on drive n.
 2. Reseat the following components: a. Hard disk drive (wait 1 minute or more before reinstalling the drive) b. Cable from the system board to the backplane
 3. Replace the following components one at a time, in the order shown, restarting the server each time: a. Hard disk drive b. Cable from the system board to the backplane c. Hard disk drive backplane (n = hard disk drive number)
- **806f010f-2201ffff : The System [ComputerSystemElementName] encountered a firmware hang. (Firmware Error)**

This message is for the use case when an implementation has detected a System Firmware Hang.

May also be shown as 806f010f2201ffff or 0x806f010f2201ffff

Severity

Error

Serviceable

Yes

Automatically notify support

No

Alert Category

System - Boot failure

SNMP Trap ID

25

CIM Information

Prefix: PLAT ID: 0186

User Response

1. Make sure the server meets the minimum configuration to start (see Power-supply LEDs).
2. Update the server firmware on the primary page. Important: Some cluster solutions require specific code levels or coordinated code updates. If the device is part of a cluster solution, verify that the latest level of code is supported for the cluster solution before you update the code.
3. (Trained technician only) Replace the system board.

- **806f0113-0301ffff : A bus timeout has occurred on system [ComputerSystemElementName]. (CPU 1 PECI)**

This message is for the use case when an implementation has detected a Bus Timeout.

May also be shown as 806f01130301ffff or 0x806f01130301ffff

Severity

Error

Serviceable

Yes

Automatically notify support

No

Alert Category

Critical - Other

SNMP Trap ID

50

CIM Information

Prefix: PLAT ID: 0224

User Response

1. (Trained technician only) Reseat the microprocessor, and then restart the server.
2. (Trained technician only) Replace microprocessor n. (n = microprocessor number)

- **806f0113-0302ffff : A bus timeout has occurred on system [ComputerSystemElementName]. (CPU 2 PECI)**

This message is for the use case when an implementation has detected a Bus Timeout.

May also be shown as 806f01130302ffff or 0x806f01130302ffff

Severity

Error

Serviceable

Yes

Automatically notify support

No

Alert Category

Critical - Other

SNMP Trap ID

50

CIM Information

Prefix: PLAT ID: 0224

User Response

1. (Trained technician only)Reseat the microprocessor, and then restart the server.
 2. (Trained technician only)Replace microprocessor n. (n = microprocessor number)
- **806f011b-0701ffff : The connector [PhysicalConnectorElementName] has encountered a configuration error. (Front USB)**

This message is for the use case when an implementation has detected an Interconnect Configuration Error.

May also be shown as 806f011b0701ffff or 0x806f011b0701ffff

Severity

Error

Serviceable

Yes

Automatically notify support

Yes

Alert Category

Critical - Other

SNMP Trap ID

50

CIM Information

Prefix: PLAT ID: 0266

User Response

If the specified sensor is front USB connector, reset the front USB cable on the system board. If the specified sensor is front video connector, reset the front video cable in the system board. If the specified sensor is PwrPaddle cable, complete the following steps until problem is solved:

1. Reseat the power paddle cable on the system board.
2. Replace the power paddle cable.
3. (Trained technician only) Replace the supercap n. (n = supercap number)
4. (Trained technician only) Replace the system board.

Front Video :

- **806f0123-2101ffff : Reboot of system [ComputerSystemElementName] initiated by [WatchdogElementName]. (IPMI Watchdog)**

This message is for the use case when an implementation has detected a Reboot by a Watchdog occurred.

May also be shown as 806f01232101ffff or 0x806f01232101ffff

Severity

Info

Serviceable

No

Automatically notify support

No

Alert Category

System - Other

SNMP Trap ID

CIM Information

Prefix: PLAT ID: 0370

User Response

No action; information only.

- **806f0125-0b01ffff : [ManagedElementName] detected as absent. (PCI Riser 1)**

This message is for the use case when an implementation has detected a Managed Element is Absent.

May also be shown as 806f01250b01ffff or 0x806f01250b01ffff

Severity

Info

Serviceable

No

Automatically notify support

No

Alert Category

System - Other

SNMP Trap ID

CIM Information

Prefix: PLAT ID: 0392

User Response

Please ensure the PCI riser 1 has been installed correctly.

- **806f0125-0b02ffff : [ManagedElementName] detected as absent. (PCI Riser 2)**

This message is for the use case when an implementation has detected a Managed Element is Absent.

May also be shown as 806f01250b02ffff or 0x806f01250b02ffff

Severity

Info

Serviceable

No

Automatically notify support

No

Alert Category

System - Other

SNMP Trap ID**CIM Information**

Prefix: PLAT ID: 0392

User Response

Please ensure the PCI riser 1 has been installed correctly.

- **806f0125-0c01ffff : [ManagedElementName] detected as absent. (Front Panel)**

This message is for the use case when an implementation has detected a Managed Element is Absent.

May also be shown as 806f01250c01ffff or 0x806f01250c01ffff

Severity

Info

Serviceable

No

Automatically notify support

No

Alert Category

System - Other

SNMP Trap ID**CIM Information**

Prefix: PLAT ID: 0392

User Response

Please ensure the PCI riser 1 has been installed correctly.

- **806f0207-0301ffff : [ProcessorElementName] has Failed with FRB1/BIST condition. (CPU 1)**

This message is for the use case when an implementation has detected a Processor Failed - FRB1/BIST condition.

May also be shown as 806f02070301ffff or 0x806f02070301ffff

Severity

Error

Serviceable

Yes

Automatically notify support

Yes

Alert Category

Critical - CPU

SNMP Trap ID

CIM Information**Prefix:** PLAT ID: 0044**User Response**

1. Update the latest level of system firmware and device drivers are installed for all adapters and standard devices, such as UEFI, IMM Ethernet, and SAS. Important: Some cluster solutions require specific code levels or coordinated code updates. If the device is part of a cluster solution, verify that the latest level of code is supported for the cluster solution before you update the code.
2. Run the DSA program.
3. Reseat the adapter.
4. Replace the adapter.
5. (Trained technician only) Replace microprocessor n. (n = microprocessor number)
6. (Trained technician only) Replace the system board.

- **806f0207-0302ffff : [ProcessorElementName] has Failed with FRB1/BIST condition. (CPU 2)**

This message is for the use case when an implementation has detected a Processor Failed - FRB1/BIST condition.

May also be shown as 806f02070302ffff or 0x806f02070302ffff

Severity

Error

Serviceable

Yes

Automatically notify support

Yes

Alert Category

Critical - CPU

SNMP Trap ID

40

CIM Information**Prefix:** PLAT ID: 0044**User Response**

1. Update the latest level of system firmware and device drivers are installed for all adapters and standard devices, such as UEFI, IMM Ethernet, and SAS. Important: Some cluster solutions require specific code levels or coordinated code updates. If the device is part of a cluster solution, verify that the latest level of code is supported for the cluster solution before you update the code.
2. Run the DSA program.
3. Reseat the adapter.
4. Replace the adapter.
5. (Trained technician only) Replace microprocessor n. (n = microprocessor number)
6. (Trained technician only) Replace the system board.

- **806f0207-2584ffff : [ProcessorElementName] has Failed with FRB1/BIST condition. (All CPUs)**

This message is for the use case when an implementation has detected a Processor Failed - FRB1/BIST condition.

May also be shown as 806f02072584ffff or 0x806f02072584ffff

Severity

Error

Serviceable

Yes

Automatically notify support

Yes

Alert Category

Critical - CPU

SNMP Trap ID

40

CIM Information

Prefix: PLAT ID: 0044

User Response

1. Update the latest level of system firmware and device drivers are installed for all adapters and standard devices, such as UEFI, IMM Ethernet, and SAS. Important: Some cluster solutions require specific code levels or coordinated code updates. If the device is part of a cluster solution, verify that the latest level of code is supported for the cluster solution before you update the code.
 2. Run the DSA program.
 3. Reseat the adapter.
 4. Replace the adapter.
 5. (Trained technician only) Replace microprocessor n. (n = microprocessor number)
 6. (Trained technician only) Replace the system board. One of The CPUs :
- **806f020d-0400ffff : Failure Predicted on drive [StorageVolumeElementName] for array [ComputerSystemElementName]. (Drive 0)**

This message is for the use case when an implementation has detected an Array Failure is Predicted.

May also be shown as 806f020d0400ffff or 0x806f020d0400ffff

Severity

Warning

Serviceable

Yes

Automatically notify support

Yes

Alert Category

System - Predicted Failure

SNMP Trap ID

27

CIM Information

Prefix: PLAT ID: 0168

User Response

1. Run the hard disk drive diagnostic test on drive n.
2. Reseat the following components: a. Hard disk drive b. Cable from the system board to the backplane.
3. Replace the following components one at a time, in the order shown, restarting the server each time: a. Hard disk drive. b. Cable from the system board to the backplane. c. Hard disk drive backplane. (n = hard disk drive number)

- **806f020d-0401ffff : Failure Predicted on drive [StorageVolumeElementName] for array [ComputerSystemElementName]. (Drive 1)**

This message is for the use case when an implementation has detected an Array Failure is Predicted.

May also be shown as 806f020d0401ffff or 0x806f020d0401ffff

Severity

Warning

Serviceable

Yes

Automatically notify support

Yes

Alert Category

System - Predicted Failure

SNMP Trap ID

27

CIM Information

Prefix: PLAT ID: 0168

User Response

1. Run the hard disk drive diagnostic test on drive n.
2. Reseat the following components: a. Hard disk drive b. Cable from the system board to the backplane.
3. Replace the following components one at a time, in the order shown, restarting the server each time: a. Hard disk drive. b. Cable from the system board to the backplane. c. Hard disk drive backplane. (n = hard disk drive number)

- **806f020d-0402ffff : Failure Predicted on drive [StorageVolumeElementName] for array [ComputerSystemElementName]. (Drive 2)**

This message is for the use case when an implementation has detected an Array Failure is Predicted.

May also be shown as 806f020d0402ffff or 0x806f020d0402ffff

Severity

Warning

Serviceable

Yes

Automatically notify support

Yes

Alert Category

System - Predicted Failure

SNMP Trap ID

27

CIM Information**Prefix:** PLAT ID: 0168**User Response**

1. Run the hard disk drive diagnostic test on drive n.
2. Reseat the following components: a. Hard disk drive b. Cable from the system board to the backplane.
3. Replace the following components one at a time, in the order shown, restarting the server each time: a. Hard disk drive. b. Cable from the system board to the backplane. c. Hard disk drive backplane. (n = hard disk drive number)

- **806f020d-0403ffff : Failure Predicted on drive [StorageVolumeElementName] for array [ComputerSystemElementName]. (Drive 3)**

This message is for the use case when an implementation has detected an Array Failure is Predicted.

May also be shown as 806f020d0403ffff or 0x806f020d0403ffff

Severity

Warning

Serviceable

Yes

Automatically notify support

Yes

Alert Category

System - Predicted Failure

SNMP Trap ID

27

CIM Information**Prefix:** PLAT ID: 0168**User Response**

1. Run the hard disk drive diagnostic test on drive n.
2. Reseat the following components: a. Hard disk drive b. Cable from the system board to the backplane.
3. Replace the following components one at a time, in the order shown, restarting the server each time: a. Hard disk drive. b. Cable from the system board to the backplane. c. Hard disk drive backplane. (n = hard disk drive number)

- **806f020d-0404ffff : Failure Predicted on drive [StorageVolumeElementName] for array [ComputerSystemElementName]. (Drive 4)**

This message is for the use case when an implementation has detected an Array Failure is Predicted.

May also be shown as 806f020d0404ffff or 0x806f020d0404ffff

Severity

Warning

Serviceable

Yes

Automatically notify support

Yes

Alert Category

System - Predicted Failure

SNMP Trap ID

27

CIM Information

Prefix: PLAT ID: 0168

User Response

1. Run the hard disk drive diagnostic test on drive n.
 2. Reseat the following components: a. Hard disk drive b. Cable from the system board to the backplane.
 3. Replace the following components one at a time, in the order shown, restarting the server each time: a. Hard disk drive. b. Cable from the system board to the backplane. c. Hard disk drive backplane. (n = hard disk drive number)
- **806f020d-0405ffff : Failure Predicted on drive [StorageVolumeElementName] for array [ComputerSystemElementName]. (Drive 5)**

This message is for the use case when an implementation has detected an Array Failure is Predicted.

May also be shown as 806f020d0405ffff or 0x806f020d0405ffff

Severity

Warning

Serviceable

Yes

Automatically notify support

Yes

Alert Category

System - Predicted Failure

SNMP Trap ID

27

CIM Information

Prefix: PLAT ID: 0168

User Response

1. Run the hard disk drive diagnostic test on drive n.
 2. Reseat the following components: a. Hard disk drive b. Cable from the system board to the backplane.
 3. Replace the following components one at a time, in the order shown, restarting the server each time: a. Hard disk drive. b. Cable from the system board to the backplane. c. Hard disk drive backplane. (n = hard disk drive number)
- **806f020d-0406ffff : Failure Predicted on drive [StorageVolumeElementName] for array [ComputerSystemElementName]. (Drive 6)**

This message is for the use case when an implementation has detected an Array Failure is Predicted.

May also be shown as 806f020d0406ffff or 0x806f020d0406ffff

Severity

Warning

Serviceable

Yes

Automatically notify support

Yes

Alert Category

System - Predicted Failure

SNMP Trap ID

27

CIM Information

Prefix: PLAT ID: 0168

User Response

1. Run the hard disk drive diagnostic test on drive n.
 2. Reseat the following components: a. Hard disk drive b. Cable from the system board to the backplane.
 3. Replace the following components one at a time, in the order shown, restarting the server each time: a. Hard disk drive. b. Cable from the system board to the backplane. c. Hard disk drive backplane. (n = hard disk drive number)
- **806f020d-0407ffff : Failure Predicted on drive [StorageVolumeElementName] for array [ComputerSystemElementName]. (Drive 7)**

This message is for the use case when an implementation has detected an Array Failure is Predicted.

May also be shown as 806f020d0407ffff or 0x806f020d0407ffff

Severity

Warning

Serviceable

Yes

Automatically notify support

Yes

Alert Category

System - Predicted Failure

SNMP Trap ID

27

CIM Information

Prefix: PLAT ID: 0168

User Response

1. Run the hard disk drive diagnostic test on drive n.
2. Reseat the following components: a. Hard disk drive b. Cable from the system board to the backplane.
3. Replace the following components one at a time, in the order shown, restarting the server each time: a. Hard disk drive. b. Cable from the system board to the backplane. c. Hard disk drive backplane. (n = hard disk drive number)

- **806f0223-2101ffff : Powering off system [ComputerSystemElementName] initiated by [WatchdogElementName]. (IPMI Watchdog)**

This message is for the use case when an implementation has detected a Poweroff by Watchdog has occurred.

May also be shown as 806f02232101ffff or 0x806f02232101ffff

Severity

Info

Serviceable

No

Automatically notify support

No

Alert Category

System - Other

SNMP Trap ID

CIM Information

Prefix: PLAT ID: 0372

User Response

No action; information only.

- **806f0308-0a01ffff : [PowerSupplyElementName] has lost input. (Power Supply 1)**

This message is for the use case when an implementation has detected a Power Supply that has input that has been lost.

May also be shown as 806f03080a01ffff or 0x806f03080a01ffff

Severity

Info

Serviceable

No

Automatically notify support

No

Alert Category

System - Other

SNMP Trap ID

CIM Information

Prefix: PLAT ID: 0100

User Response

1. Reconnect the power cords.
2. Check power supply n LED.
3. See Power-supply LEDs for more information. (n = power supply number)

- **806f0308-0a02ffff : [PowerSupplyElementName] has lost input. (Power Supply 2)**

This message is for the use case when an implementation has detected a Power Supply that has input that has been lost.

May also be shown as 806f03080a02ffff or 0x806f03080a02ffff

Severity

Info

Serviceable

No

Automatically notify support

No

Alert Category

System - Other

SNMP Trap ID**CIM Information**

Prefix: PLAT ID: 0100

User Response

1. Reconnect the power cords.
 2. Check power supply n LED.
 3. See Power-supply LEDs for more information. (n = power supply number)
- **806f030c-2001ffff : Scrub Failure for [PhysicalMemoryElementName] on Subsystem [MemoryElementName]. (DIMM 1)**

This message is for the use case when an implementation has detected a Memory Scrub failure.

May also be shown as 806f030c2001ffff or 0x806f030c2001ffff

Severity

Error

Serviceable

Yes

Automatically notify support

No

Alert Category

Critical - Memory

SNMP Trap ID

41

CIM Information

Prefix: PLAT ID: 0136

User Response

Note: Each time you install or remove a DIMM, you must disconnect the server from the power source; then, wait 10 seconds before restarting the server.

1. Check the IBM support website for an applicable retain tip or firmware update that applies to this memory error.
2. Manually re-enable all affected DIMMs.
3. Swap the affected DIMMs (as indicated by the error LEDs on the system board or the event logs) to a different memory channel or microprocessor.
4. If the problem follows the DIMM, replace the failing DIMM.

5. (Trained technician only) If the problem occurs on the same DIMM connector, check the DIMM connector. If the connector contains any foreign material or is damaged, replace the system board.
6. (Trained technician only) Remove the affected microprocessor and check the microprocessor socket pins for any damaged pins. If a damage is found, replace the system board.
7. (Trained technician only) Replace the affected microprocessor.

- **806f030c-2002ffff : Scrub Failure for [PhysicalMemoryElementName] on Subsystem [MemoryElementName]. (DIMM 2)**

This message is for the use case when an implementation has detected a Memory Scrub failure.

May also be shown as 806f030c2002ffff or 0x806f030c2002ffff

Severity

Error

Serviceable

Yes

Automatically notify support

No

Alert Category

Critical - Memory

SNMP Trap ID

41

CIM Information

Prefix: PLAT ID: 0136

User Response

Note: Each time you install or remove a DIMM, you must disconnect the server from the power source; then, wait 10 seconds before restarting the server.

1. Check the IBM support website for an applicable retain tip or firmware update that applies to this memory error.
2. Manually re-enable all affected DIMMs.
3. Swap the affected DIMMs (as indicated by the error LEDs on the system board or the event logs) to a different memory channel or microprocessor.
4. If the problem follows the DIMM, replace the failing DIMM.
5. (Trained technician only) If the problem occurs on the same DIMM connector, check the DIMM connector. If the connector contains any foreign material or is damaged, replace the system board.
6. (Trained technician only) Remove the affected microprocessor and check the microprocessor socket pins for any damaged pins. If a damage is found, replace the system board.
7. (Trained technician only) Replace the affected microprocessor.

- **806f030c-2003ffff : Scrub Failure for [PhysicalMemoryElementName] on Subsystem [MemoryElementName]. (DIMM 3)**

This message is for the use case when an implementation has detected a Memory Scrub failure.

May also be shown as 806f030c2003ffff or 0x806f030c2003ffff

Severity

Error

Serviceable

Yes

Automatically notify support

No

Alert Category

Critical - Memory

SNMP Trap ID

41

CIM Information

Prefix: PLAT ID: 0136

User Response

Note: Each time you install or remove a DIMM, you must disconnect the server from the power source; then, wait 10 seconds before restarting the server.

1. Check the IBM support website for an applicable retain tip or firmware update that applies to this memory error.
2. Manually re-enable all affected DIMMs.
3. Swap the affected DIMMs (as indicated by the error LEDs on the system board or the event logs) to a different memory channel or microprocessor.
4. If the problem follows the DIMM, replace the failing DIMM.
5. (Trained technician only) If the problem occurs on the same DIMM connector, check the DIMM connector. If the connector contains any foreign material or is damaged, replace the system board.
6. (Trained technician only) Remove the affected microprocessor and check the microprocessor socket pins for any damaged pins. If a damage is found, replace the system board.
7. (Trained technician only) Replace the affected microprocessor.

- **806f030c-2004ffff : Scrub Failure for [PhysicalMemoryElementName] on Subsystem [MemoryElementName]. (DIMM 4)**

This message is for the use case when an implementation has detected a Memory Scrub failure.

May also be shown as 806f030c2004ffff or 0x806f030c2004ffff

Severity

Error

Serviceable

Yes

Automatically notify support

No

Alert Category

Critical - Memory

SNMP Trap ID

41

CIM Information

Prefix: PLAT ID: 0136

User Response

Note: Each time you install or remove a DIMM, you must disconnect the server from the power source; then, wait 10 seconds before restarting the server.

1. Check the IBM support website for an applicable retain tip or firmware update that applies to this memory error.
2. Manually re-enable all affected DIMMs.
3. Swap the affected DIMMs (as indicated by the error LEDs on the system board or the event logs) to a different memory channel or microprocessor.
4. If the problem follows the DIMM, replace the failing DIMM.
5. (Trained technician only) If the problem occurs on the same DIMM connector, check the DIMM connector. If the connector contains any foreign material or is damaged, replace the system board.
6. (Trained technician only) Remove the affected microprocessor and check the microprocessor socket pins for any damaged pins. If a damage is found, replace the system board.
7. (Trained technician only) Replace the affected microprocessor.

- **806f030c-2005ffff : Scrub Failure for [PhysicalMemoryElementName] on Subsystem [MemoryElementName]. (DIMM 5)**

This message is for the use case when an implementation has detected a Memory Scrub failure.

May also be shown as 806f030c2005ffff or 0x806f030c2005ffff

Severity

Error

Serviceable

Yes

Automatically notify support

No

Alert Category

Critical - Memory

SNMP Trap ID

41

CIM Information

Prefix: PLAT ID: 0136

User Response

Note: Each time you install or remove a DIMM, you must disconnect the server from the power source; then, wait 10 seconds before restarting the server.

1. Check the IBM support website for an applicable retain tip or firmware update that applies to this memory error.
2. Manually re-enable all affected DIMMs.
3. Swap the affected DIMMs (as indicated by the error LEDs on the system board or the event logs) to a different memory channel or microprocessor.
4. If the problem follows the DIMM, replace the failing DIMM.
5. (Trained technician only) If the problem occurs on the same DIMM connector, check the DIMM connector. If the connector contains any foreign material or is damaged, replace the system board.
6. (Trained technician only) Remove the affected microprocessor and check the microprocessor socket pins for any damaged pins. If a damage is found, replace the system board.
7. (Trained technician only) Replace the affected microprocessor.

- **806f030c-2006ffff : Scrub Failure for [PhysicalMemoryElementName] on Subsystem [MemoryElementName]. (DIMM 6)**

This message is for the use case when an implementation has detected a Memory Scrub failure.

May also be shown as 806f030c2006ffff or 0x806f030c2006ffff

Severity

Error

Serviceable

Yes

Automatically notify support

No

Alert Category

Critical - Memory

SNMP Trap ID

41

CIM Information

Prefix: PLAT ID: 0136

User Response

Note: Each time you install or remove a DIMM, you must disconnect the server from the power source; then, wait 10 seconds before restarting the server.

1. Check the IBM support website for an applicable retain tip or firmware update that applies to this memory error.
2. Manually re-enable all affected DIMMs.
3. Swap the affected DIMMs (as indicated by the error LEDs on the system board or the event logs) to a different memory channel or microprocessor.
4. If the problem follows the DIMM, replace the failing DIMM.
5. (Trained technician only) If the problem occurs on the same DIMM connector, check the DIMM connector. If the connector contains any foreign material or is damaged, replace the system board.
6. (Trained technician only) Remove the affected microprocessor and check the microprocessor socket pins for any damaged pins. If a damage is found, replace the system board.
7. (Trained technician only) Replace the affected microprocessor.

- **806f030c-2007ffff : Scrub Failure for [PhysicalMemoryElementName] on Subsystem [MemoryElementName]. (DIMM 7)**

This message is for the use case when an implementation has detected a Memory Scrub failure.

May also be shown as 806f030c2007ffff or 0x806f030c2007ffff

Severity

Error

Serviceable

Yes

Automatically notify support

No

Alert Category

Critical - Memory

SNMP Trap ID

41

CIM Information**Prefix:** PLAT ID: 0136**User Response**

Note: Each time you install or remove a DIMM, you must disconnect the server from the power source; then, wait 10 seconds before restarting the server.

1. Check the IBM support website for an applicable retain tip or firmware update that applies to this memory error.
 2. Manually re-enable all affected DIMMs.
 3. Swap the affected DIMMs (as indicated by the error LEDs on the system board or the event logs) to a different memory channel or microprocessor.
 4. If the problem follows the DIMM, replace the failing DIMM.
 5. (Trained technician only) If the problem occurs on the same DIMM connector, check the DIMM connector. If the connector contains any foreign material or is damaged, replace the system board.
 6. (Trained technician only) Remove the affected microprocessor and check the microprocessor socket pins for any damaged pins. If a damage is found, replace the system board.
 7. (Trained technician only) Replace the affected microprocessor.
- **806f030c-2008ffff : Scrub Failure for [PhysicalMemoryElementName] on Subsystem [MemoryElementName]. (DIMM 8)**

This message is for the use case when an implementation has detected a Memory Scrub failure.

May also be shown as 806f030c2008ffff or 0x806f030c2008ffff

Severity

Error

Serviceable

Yes

Automatically notify support

No

Alert Category

Critical - Memory

SNMP Trap ID

41

CIM Information**Prefix:** PLAT ID: 0136**User Response**

Note: Each time you install or remove a DIMM, you must disconnect the server from the power source; then, wait 10 seconds before restarting the server.

1. Check the IBM support website for an applicable retain tip or firmware update that applies to this memory error.
2. Manually re-enable all affected DIMMs.
3. Swap the affected DIMMs (as indicated by the error LEDs on the system board or the event logs) to a different memory channel or microprocessor.
4. If the problem follows the DIMM, replace the failing DIMM.

5. (Trained technician only) If the problem occurs on the same DIMM connector, check the DIMM connector. If the connector contains any foreign material or is damaged, replace the system board.
6. (Trained technician only) Remove the affected microprocessor and check the microprocessor socket pins for any damaged pins. If a damage is found, replace the system board.
7. (Trained technician only) Replace the affected microprocessor.

- **806f030c-2009ffff : Scrub Failure for [PhysicalMemoryElementName] on Subsystem [MemoryElementName]. (DIMM 9)**

This message is for the use case when an implementation has detected a Memory Scrub failure.

May also be shown as 806f030c2009ffff or 0x806f030c2009ffff

Severity

Error

Serviceable

Yes

Automatically notify support

No

Alert Category

Critical - Memory

SNMP Trap ID

41

CIM Information

Prefix: PLAT ID: 0136

User Response

Note: Each time you install or remove a DIMM, you must disconnect the server from the power source; then, wait 10 seconds before restarting the server.

1. Check the IBM support website for an applicable retain tip or firmware update that applies to this memory error.
2. Manually re-enable all affected DIMMs.
3. Swap the affected DIMMs (as indicated by the error LEDs on the system board or the event logs) to a different memory channel or microprocessor.
4. If the problem follows the DIMM, replace the failing DIMM.
5. (Trained technician only) If the problem occurs on the same DIMM connector, check the DIMM connector. If the connector contains any foreign material or is damaged, replace the system board.
6. (Trained technician only) Remove the affected microprocessor and check the microprocessor socket pins for any damaged pins. If a damage is found, replace the system board.
7. (Trained technician only) Replace the affected microprocessor.

- **806f030c-200affff : Scrub Failure for [PhysicalMemoryElementName] on Subsystem [MemoryElementName]. (DIMM 10)**

This message is for the use case when an implementation has detected a Memory Scrub failure.

May also be shown as 806f030c200affff or 0x806f030c200affff

Severity

Error

Serviceable

Yes

Automatically notify support

No

Alert Category

Critical - Memory

SNMP Trap ID

41

CIM Information

Prefix: PLAT ID: 0136

User Response

Note: Each time you install or remove a DIMM, you must disconnect the server from the power source; then, wait 10 seconds before restarting the server.

1. Check the IBM support website for an applicable retain tip or firmware update that applies to this memory error.
 2. Manually re-enable all affected DIMMs.
 3. Swap the affected DIMMs (as indicated by the error LEDs on the system board or the event logs) to a different memory channel or microprocessor.
 4. If the problem follows the DIMM, replace the failing DIMM.
 5. (Trained technician only) If the problem occurs on the same DIMM connector, check the DIMM connector. If the connector contains any foreign material or is damaged, replace the system board.
 6. (Trained technician only) Remove the affected microprocessor and check the microprocessor socket pins for any damaged pins. If a damage is found, replace the system board.
 7. (Trained technician only) Replace the affected microprocessor.
- **806f030c-200bffff : Scrub Failure for [PhysicalMemoryElementName] on Subsystem [MemoryElementName]. (DIMM 11)**

This message is for the use case when an implementation has detected a Memory Scrub failure.

May also be shown as 806f030c200bffff or 0x806f030c200bffff

Severity

Error

Serviceable

Yes

Automatically notify support

No

Alert Category

Critical - Memory

SNMP Trap ID

41

CIM Information

Prefix: PLAT ID: 0136

User Response

Note: Each time you install or remove a DIMM, you must disconnect the server from the power source; then, wait 10 seconds before restarting the server.

1. Check the IBM support website for an applicable retain tip or firmware update that applies to this memory error.
2. Manually re-enable all affected DIMMs.
3. Swap the affected DIMMs (as indicated by the error LEDs on the system board or the event logs) to a different memory channel or microprocessor.
4. If the problem follows the DIMM, replace the failing DIMM.
5. (Trained technician only) If the problem occurs on the same DIMM connector, check the DIMM connector. If the connector contains any foreign material or is damaged, replace the system board.
6. (Trained technician only) Remove the affected microprocessor and check the microprocessor socket pins for any damaged pins. If a damage is found, replace the system board.
7. (Trained technician only) Replace the affected microprocessor.

- **806f030c-200cffff : Scrub Failure for [PhysicalMemoryElementName] on Subsystem [MemoryElementName]. (DIMM 12)**

This message is for the use case when an implementation has detected a Memory Scrub failure.

May also be shown as 806f030c200cffff or 0x806f030c200cffff

Severity

Error

Serviceable

Yes

Automatically notify support

No

Alert Category

Critical - Memory

SNMP Trap ID

41

CIM Information

Prefix: PLAT ID: 0136

User Response

Note: Each time you install or remove a DIMM, you must disconnect the server from the power source; then, wait 10 seconds before restarting the server.

1. Check the IBM support website for an applicable retain tip or firmware update that applies to this memory error.
2. Manually re-enable all affected DIMMs.
3. Swap the affected DIMMs (as indicated by the error LEDs on the system board or the event logs) to a different memory channel or microprocessor.
4. If the problem follows the DIMM, replace the failing DIMM.
5. (Trained technician only) If the problem occurs on the same DIMM connector, check the DIMM connector. If the connector contains any foreign material or is damaged, replace the system board.
6. (Trained technician only) Remove the affected microprocessor and check the microprocessor socket pins for any damaged pins. If a damage is found, replace the system board.
7. (Trained technician only) Replace the affected microprocessor.

- **806f030c-2581ffff : Scrub Failure for [PhysicalMemoryElementName] on Subsystem [MemoryElementName]. (All DIMMS)**

This message is for the use case when an implementation has detected a Memory Scrub failure.

May also be shown as 806f030c2581ffff or 0x806f030c2581ffff

Severity

Error

Serviceable

Yes

Automatically notify support

No

Alert Category

Critical - Memory

SNMP Trap ID

41

CIM Information

Prefix: PLAT ID: 0136

User Response

Note: Each time you install or remove a DIMM, you must disconnect the server from the power source; then, wait 10 seconds before restarting the server.

1. Check the IBM support website for an applicable retain tip or firmware update that applies to this memory error.
2. Manually re-enable all affected DIMMs.
3. Swap the affected DIMMs (as indicated by the error LEDs on the system board or the event logs) to a different memory channel or microprocessor.
4. If the problem follows the DIMM, replace the failing DIMM.
5. (Trained technician only) If the problem occurs on the same DIMM connector, check the DIMM connector. If the connector contains any foreign material or is damaged, replace the system board.
6. (Trained technician only) Remove the affected microprocessor and check the microprocessor socket pins for any damaged pins. If a damage is found, replace the system board.
7. (Trained technician only) Replace the affected microprocessor. One of the DIMMs :

- **806f0313-1701ffff : A software NMI has occurred on system [ComputerSystemElementName]. (NMI State)**

This message is for the use case when an implementation has detected a Software NMI.

May also be shown as 806f03131701ffff or 0x806f03131701ffff

Severity

Error

Serviceable

Yes

Automatically notify support

No

Alert Category

Critical - Other

SNMP Trap ID

50

CIM Information

Prefix: PLAT ID: 0228

User Response

1. Check the device driver.
 2. Reinstall the device driver.
 3. Update all device drivers to the latest level.
 4. Update the firmware (UEFI and IMM).
- **806f0323-2101ffff : Power cycle of system [ComputerSystemElementName] initiated by watchdog [WatchdogElementName]. (IPMI Watchdog)**

This message is for the use case when an implementation has detected a Power Cycle by Watchdog occurred.

May also be shown as 806f03232101ffff or 0x806f03232101ffff

Severity

Info

Serviceable

No

Automatically notify support

No

Alert Category

System - Other

SNMP Trap ID**CIM Information**

Prefix: PLAT ID: 0374

User Response

No action; information only.

- **806f040c-2001ffff : [PhysicalMemoryElementName] Disabled on Subsystem [MemoryElementName]. (DIMM 1)**

This message is for the use case when an implementation has detected that Memory has been Disabled.

May also be shown as 806f040c2001ffff or 0x806f040c2001ffff

Severity

Info

Serviceable

No

Automatically notify support

No

Alert Category

System - Other

SNMP Trap ID

CIM Information

Prefix: PLAT ID: 0131

User Response

1. Make sure the DIMM is installed correctly.
2. If the DIMM was disabled because of a memory fault (memory uncorrectable error or memory logging limit reached), follow the suggested actions for that error event and restart the server.
3. Check the IBM support website for an applicable retain tip or firmware update that applies to this memory event. If no memory fault is recorded in the logs and no DIMM connector error LED is lit, you can re-enable the DIMM through the Setup utility or the Advanced Settings Utility (ASU).

- **806f040c-2002ffff : [PhysicalMemoryElementName] Disabled on Subsystem [MemoryElementName]. (DIMM 2)**

This message is for the use case when an implementation has detected that Memory has been Disabled.

May also be shown as 806f040c2002ffff or 0x806f040c2002ffff

Severity

Info

Serviceable

No

Automatically notify support

No

Alert Category

System - Other

SNMP Trap ID**CIM Information**

Prefix: PLAT ID: 0131

User Response

1. Make sure the DIMM is installed correctly.
2. If the DIMM was disabled because of a memory fault (memory uncorrectable error or memory logging limit reached), follow the suggested actions for that error event and restart the server.
3. Check the IBM support website for an applicable retain tip or firmware update that applies to this memory event. If no memory fault is recorded in the logs and no DIMM connector error LED is lit, you can re-enable the DIMM through the Setup utility or the Advanced Settings Utility (ASU).

- **806f040c-2003ffff : [PhysicalMemoryElementName] Disabled on Subsystem [MemoryElementName]. (DIMM 3)**

This message is for the use case when an implementation has detected that Memory has been Disabled.

May also be shown as 806f040c2003ffff or 0x806f040c2003ffff

Severity

Info

Serviceable

No

Automatically notify support

No

Alert Category
System - Other

SNMP Trap ID

CIM Information
Prefix: PLAT ID: 0131

User Response

1. Make sure the DIMM is installed correctly.
2. If the DIMM was disabled because of a memory fault (memory uncorrectable error or memory logging limit reached), follow the suggested actions for that error event and restart the server.
3. Check the IBM support website for an applicable retain tip or firmware update that applies to this memory event. If no memory fault is recorded in the logs and no DIMM connector error LED is lit, you can re-enable the DIMM through the Setup utility or the Advanced Settings Utility (ASU).

• **806f040c-2004ffff : [PhysicalMemoryElementName] Disabled on Subsystem [MemoryElementName]. (DIMM 4)**

This message is for the use case when an implementation has detected that Memory has been Disabled.

May also be shown as 806f040c2004ffff or 0x806f040c2004ffff

Severity
Info

Serviceable
No

Automatically notify support
No

Alert Category
System - Other

SNMP Trap ID

CIM Information
Prefix: PLAT ID: 0131

User Response

1. Make sure the DIMM is installed correctly.
2. If the DIMM was disabled because of a memory fault (memory uncorrectable error or memory logging limit reached), follow the suggested actions for that error event and restart the server.
3. Check the IBM support website for an applicable retain tip or firmware update that applies to this memory event. If no memory fault is recorded in the logs and no DIMM connector error LED is lit, you can re-enable the DIMM through the Setup utility or the Advanced Settings Utility (ASU).

• **806f040c-2005ffff : [PhysicalMemoryElementName] Disabled on Subsystem [MemoryElementName]. (DIMM 5)**

This message is for the use case when an implementation has detected that Memory has been Disabled.

May also be shown as 806f040c2005ffff or 0x806f040c2005ffff

Severity
Info

Serviceable

No

Automatically notify support

No

Alert Category

System - Other

SNMP Trap ID**CIM Information**

Prefix: PLAT ID: 0131

User Response

1. Make sure the DIMM is installed correctly.
2. If the DIMM was disabled because of a memory fault (memory uncorrectable error or memory logging limit reached), follow the suggested actions for that error event and restart the server.
3. Check the IBM support website for an applicable retain tip or firmware update that applies to this memory event. If no memory fault is recorded in the logs and no DIMM connector error LED is lit, you can re-enable the DIMM through the Setup utility or the Advanced Settings Utility (ASU).

- **806f040c-2006ffff : [PhysicalMemoryElementName] Disabled on Subsystem [MemoryElementName]. (DIMM 6)**

This message is for the use case when an implementation has detected that Memory has been Disabled.

May also be shown as 806f040c2006ffff or 0x806f040c2006ffff

Severity

Info

Serviceable

No

Automatically notify support

No

Alert Category

System - Other

SNMP Trap ID**CIM Information**

Prefix: PLAT ID: 0131

User Response

1. Make sure the DIMM is installed correctly.
2. If the DIMM was disabled because of a memory fault (memory uncorrectable error or memory logging limit reached), follow the suggested actions for that error event and restart the server.
3. Check the IBM support website for an applicable retain tip or firmware update that applies to this memory event. If no memory fault is recorded in the logs and no DIMM connector error LED is lit, you can re-enable the DIMM through the Setup utility or the Advanced Settings Utility (ASU).

- **806f040c-2007ffff : [PhysicalMemoryElementName] Disabled on Subsystem [MemoryElementName]. (DIMM 7)**

This message is for the use case when an implementation has detected that Memory has been Disabled.

May also be shown as 806f040c2007ffff or 0x806f040c2007ffff

Severity

Info

Serviceable

No

Automatically notify support

No

Alert Category

System - Other

SNMP Trap ID

CIM Information

Prefix: PLAT ID: 0131

User Response

1. Make sure the DIMM is installed correctly.
2. If the DIMM was disabled because of a memory fault (memory uncorrectable error or memory logging limit reached), follow the suggested actions for that error event and restart the server.
3. Check the IBM support website for an applicable retain tip or firmware update that applies to this memory event. If no memory fault is recorded in the logs and no DIMM connector error LED is lit, you can re-enable the DIMM through the Setup utility or the Advanced Settings Utility (ASU).

• **806f040c-2008ffff : [PhysicalMemoryElementName] Disabled on Subsystem [MemoryElementName]. (DIMM 8)**

This message is for the use case when an implementation has detected that Memory has been Disabled.

May also be shown as 806f040c2008ffff or 0x806f040c2008ffff

Severity

Info

Serviceable

No

Automatically notify support

No

Alert Category

System - Other

SNMP Trap ID

CIM Information

Prefix: PLAT ID: 0131

User Response

1. Make sure the DIMM is installed correctly.
2. If the DIMM was disabled because of a memory fault (memory uncorrectable error or memory logging limit reached), follow the suggested actions for that error event and restart the server.
3. Check the IBM support website for an applicable retain tip or firmware update that applies to this memory event. If no memory fault is recorded in the logs and no DIMM connector error LED is lit, you can re-enable the DIMM through the Setup utility or the Advanced Settings Utility (ASU).

- **806f040c-2009ffff : [PhysicalMemoryElementName] Disabled on Subsystem [MemoryElementName]. (DIMM 9)**

This message is for the use case when an implementation has detected that Memory has been Disabled.

May also be shown as 806f040c2009ffff or 0x806f040c2009ffff

Severity

Info

Serviceable

No

Automatically notify support

No

Alert Category

System - Other

SNMP Trap ID

CIM Information

Prefix: PLAT ID: 0131

User Response

1. Make sure the DIMM is installed correctly.
2. If the DIMM was disabled because of a memory fault (memory uncorrectable error or memory logging limit reached), follow the suggested actions for that error event and restart the server.
3. Check the IBM support website for an applicable retain tip or firmware update that applies to this memory event. If no memory fault is recorded in the logs and no DIMM connector error LED is lit, you can re-enable the DIMM through the Setup utility or the Advanced Settings Utility (ASU).

- **806f040c-200affff : [PhysicalMemoryElementName] Disabled on Subsystem [MemoryElementName]. (DIMM 10)**

This message is for the use case when an implementation has detected that Memory has been Disabled.

May also be shown as 806f040c200affff or 0x806f040c200affff

Severity

Info

Serviceable

No

Automatically notify support

No

Alert Category

System - Other

SNMP Trap ID

CIM Information

Prefix: PLAT ID: 0131

User Response

1. Make sure the DIMM is installed correctly.

2. If the DIMM was disabled because of a memory fault (memory uncorrectable error or memory logging limit reached), follow the suggested actions for that error event and restart the server.
3. Check the IBM support website for an applicable retain tip or firmware update that applies to this memory event. If no memory fault is recorded in the logs and no DIMM connector error LED is lit, you can re-enable the DIMM through the Setup utility or the Advanced Settings Utility (ASU).

- **806f040c-200bffff : [PhysicalMemoryElementName] Disabled on Subsystem [MemoryElementName]. (DIMM 11)**

This message is for the use case when an implementation has detected that Memory has been Disabled.
May also be shown as 806f040c200bffff or 0x806f040c200bffff

Severity

Info

Serviceable

No

Automatically notify support

No

Alert Category

System - Other

SNMP Trap ID

CIM Information

Prefix: PLAT ID: 0131

User Response

1. Make sure the DIMM is installed correctly.
2. If the DIMM was disabled because of a memory fault (memory uncorrectable error or memory logging limit reached), follow the suggested actions for that error event and restart the server.
3. Check the IBM support website for an applicable retain tip or firmware update that applies to this memory event. If no memory fault is recorded in the logs and no DIMM connector error LED is lit, you can re-enable the DIMM through the Setup utility or the Advanced Settings Utility (ASU).

- **806f040c-200cffff : [PhysicalMemoryElementName] Disabled on Subsystem [MemoryElementName]. (DIMM 12)**

This message is for the use case when an implementation has detected that Memory has been Disabled.
May also be shown as 806f040c200cffff or 0x806f040c200cffff

Severity

Info

Serviceable

No

Automatically notify support

No

Alert Category

System - Other

SNMP Trap ID

CIM Information

Prefix: PLAT ID: 0131

User Response

1. Make sure the DIMM is installed correctly.
2. If the DIMM was disabled because of a memory fault (memory uncorrectable error or memory logging limit reached), follow the suggested actions for that error event and restart the server.
3. Check the IBM support website for an applicable retain tip or firmware update that applies to this memory event. If no memory fault is recorded in the logs and no DIMM connector error LED is lit, you can re-enable the DIMM through the Setup utility or the Advanced Settings Utility (ASU).

- **806f040c-2581ffff : [PhysicalMemoryElementName] Disabled on Subsystem [MemoryElementName]. (All DIMMS)**

This message is for the use case when an implementation has detected that Memory has been Disabled.

May also be shown as 806f040c2581ffff or 0x806f040c2581ffff

Severity

Info

Serviceable

No

Automatically notify support

No

Alert Category

System - Other

SNMP Trap ID**CIM Information**

Prefix: PLAT ID: 0131

User Response

1. Make sure the DIMM is installed correctly.
2. If the DIMM was disabled because of a memory fault (memory uncorrectable error or memory logging limit reached), follow the suggested actions for that error event and restart the server.
3. Check the IBM support website for an applicable retain tip or firmware update that applies to this memory event. If no memory fault is recorded in the logs and no DIMM connector error LED is lit, you can re-enable the DIMM through the Setup utility or the Advanced Settings Utility (ASU).
One of the DIMMs :

- **806f0413-2582ffff : A PCI PERR has occurred on system [ComputerSystemElementName]. (PCIs)**

This message is for the use case when an implementation has detected a PCI PERR.

May also be shown as 806f04132582ffff or 0x806f04132582ffff

Severity

Error

Serviceable

Yes

Automatically notify support

No

Alert Category

Critical - Other

SNMP Trap ID

50

CIM Information

Prefix: PLAT ID: 0232

User Response

1. Check the PCI LED.
 2. Reseat the affected adapters and riser cards.
 3. Update the server firmware (UEFI and IMM) and adapter firmware. Important: Some cluster solutions require specific code levels or coordinated code updates. If the device is part of a cluster solution, verify that the latest level of code is supported for the cluster solution before you update the code.
 4. Remove both adapters.
 5. Replace the PCIe adapters.
 6. Replace the riser card.
- **806f0507-0301ffff : [ProcessorElementName] has a Configuration Mismatch. (CPU 1)**

This message is for the use case when an implementation has detected a Processor Configuration Mismatch has occurred.

May also be shown as 806f05070301ffff or 0x806f05070301ffff

Severity

Error

Serviceable

Yes

Automatically notify support

No

Alert Category

Critical - CPU

SNMP Trap ID

40

CIM Information

Prefix: PLAT ID: 0062

User Response

1. Make sure that the installed microprocessors are compatible with each other.
 2. (Trained technician only) Reseat microprocessor n.
 3. (Trained technician only) Replace microprocessor n. (n = microprocessor number)
- **806f0507-0302ffff : [ProcessorElementName] has a Configuration Mismatch. (CPU 2)**
- This message is for the use case when an implementation has detected a Processor Configuration Mismatch has occurred.
- May also be shown as 806f05070302ffff or 0x806f05070302ffff

Severity

Error

Serviceable

Yes

Automatically notify support

No

Alert Category

Critical - CPU

SNMP Trap ID

40

CIM Information

Prefix: PLAT ID: 0062

User Response

1. Make sure that the installed microprocessors are compatible with each other.
 2. (Trained technician only) Reseat microprocessor n.
 3. (Trained technician only) Replace microprocessor n. (n = microprocessor number)
- **806f0507-2584ffff : [ProcessorElementName] has a Configuration Mismatch. (All CPUs)**

This message is for the use case when an implementation has detected a Processor Configuration Mismatch has occurred.

May also be shown as 806f05072584ffff or 0x806f05072584ffff

Severity

Error

Serviceable

Yes

Automatically notify support

No

Alert Category

Critical - CPU

SNMP Trap ID

40

CIM Information

Prefix: PLAT ID: 0062

User Response

1. Make sure that the installed microprocessors are compatible with each other.
 2. (Trained technician only) Reseat microprocessor n.
 3. (Trained technician only) Replace microprocessor n. (n = microprocessor number) One of The CPUs :
- **806f050c-2001ffff : Memory Logging Limit Reached for [PhysicalMemoryElementName] on Subsystem [MemoryElementName]. (DIMM 1)**

This message is for the use case when an implementation has detected that the Memory Logging Limit has been Reached.

May also be shown as 806f050c2001ffff or 0x806f050c2001ffff

Severity

Warning

Serviceable

Yes

Automatically notify support

Yes

Alert Category

Warning - Memory

SNMP Trap ID

43

CIM Information

Prefix: PLAT ID: 0144

User Response

Note: Each time you install or remove a DIMM, you must disconnect the server from the power source; then, wait 10 seconds before restarting the server.

1. Check the IBM support website for an applicable retain tip or firmware update that applies to this memory error.
2. Swap the affected DIMMs (as indicated by the error LEDs on the system board or the event logs) to a different memory channel or microprocessor.
3. If the error still occurs on the same DIMM, replace the affected DIMM.
4. (Trained technician only) If the problem occurs on the same DIMM connector, check the DIMM connector. If the connector contains any foreign material or is damaged, replace the system board.
5. (Trained technician only) Remove the affected microprocessor and check the microprocessor socket pins for any damaged pins. If a damage is found, replace the system board.
6. (Trained technician only) Replace the affected microprocessor.

• **806f050c-2002ffff : Memory Logging Limit Reached for [PhysicalMemoryElementName] on Subsystem [MemoryElementName]. (DIMM 2)**

This message is for the use case when an implementation has detected that the Memory Logging Limit has been Reached.

May also be shown as 806f050c2002ffff or 0x806f050c2002ffff

Severity

Warning

Serviceable

Yes

Automatically notify support

Yes

Alert Category

Warning - Memory

SNMP Trap ID

43

CIM Information

Prefix: PLAT ID: 0144

User Response

Note: Each time you install or remove a DIMM, you must disconnect the server from the power source; then, wait 10 seconds before restarting the server.

1. Check the IBM support website for an applicable retain tip or firmware update that applies to this memory error.
2. Swap the affected DIMMs (as indicated by the error LEDs on the system board or the event logs) to a different memory channel or microprocessor.
3. If the error still occurs on the same DIMM, replace the affected DIMM.
4. (Trained technician only) If the problem occurs on the same DIMM connector, check the DIMM connector. If the connector contains any foreign material or is damaged, replace the system board.
5. (Trained technician only) Remove the affected microprocessor and check the microprocessor socket pins for any damaged pins. If a damage is found, replace the system board.
6. (Trained technician only) Replace the affected microprocessor.

- **806f050c-2003ffff : Memory Logging Limit Reached for [PhysicalMemoryElementName] on Subsystem [MemoryElementName]. (DIMM 3)**

This message is for the use case when an implementation has detected that the Memory Logging Limit has been Reached.

May also be shown as 806f050c2003ffff or 0x806f050c2003ffff

Severity

Warning

Serviceable

Yes

Automatically notify support

Yes

Alert Category

Warning - Memory

SNMP Trap ID

43

CIM Information

Prefix: PLAT ID: 0144

User Response

Note: Each time you install or remove a DIMM, you must disconnect the server from the power source; then, wait 10 seconds before restarting the server.

1. Check the IBM support website for an applicable retain tip or firmware update that applies to this memory error.
2. Swap the affected DIMMs (as indicated by the error LEDs on the system board or the event logs) to a different memory channel or microprocessor.
3. If the error still occurs on the same DIMM, replace the affected DIMM.
4. (Trained technician only) If the problem occurs on the same DIMM connector, check the DIMM connector. If the connector contains any foreign material or is damaged, replace the system board.
5. (Trained technician only) Remove the affected microprocessor and check the microprocessor socket pins for any damaged pins. If a damage is found, replace the system board.
6. (Trained technician only) Replace the affected microprocessor.

- **806f050c-2004ffff : Memory Logging Limit Reached for [PhysicalMemoryElementName] on Subsystem [MemoryElementName]. (DIMM 4)**

This message is for the use case when an implementation has detected that the Memory Logging Limit has been Reached.

May also be shown as 806f050c2004ffff or 0x806f050c2004ffff

Severity

Warning

Serviceable

Yes

Automatically notify support

Yes

Alert Category

Warning - Memory

SNMP Trap ID

43

CIM Information

Prefix: PLAT ID: 0144

User Response

Note: Each time you install or remove a DIMM, you must disconnect the server from the power source; then, wait 10 seconds before restarting the server.

1. Check the IBM support website for an applicable retain tip or firmware update that applies to this memory error.
2. Swap the affected DIMMs (as indicated by the error LEDs on the system board or the event logs) to a different memory channel or microprocessor.
3. If the error still occurs on the same DIMM, replace the affected DIMM.
4. (Trained technician only) If the problem occurs on the same DIMM connector, check the DIMM connector. If the connector contains any foreign material or is damaged, replace the system board.
5. (Trained technician only) Remove the affected microprocessor and check the microprocessor socket pins for any damaged pins. If a damage is found, replace the system board.
6. (Trained technician only) Replace the affected microprocessor.

- **806f050c-2005ffff : Memory Logging Limit Reached for [PhysicalMemoryElementName] on Subsystem [MemoryElementName]. (DIMM 5)**

This message is for the use case when an implementation has detected that the Memory Logging Limit has been Reached.

May also be shown as 806f050c2005ffff or 0x806f050c2005ffff

Severity

Warning

Serviceable

Yes

Automatically notify support

Yes

Alert Category

Warning - Memory

SNMP Trap ID

43

CIM Information

Prefix: PLAT ID: 0144

User Response

Note: Each time you install or remove a DIMM, you must disconnect the server from the power source; then, wait 10 seconds before restarting the server.

1. Check the IBM support website for an applicable retain tip or firmware update that applies to this memory error.
 2. Swap the affected DIMMs (as indicated by the error LEDs on the system board or the event logs) to a different memory channel or microprocessor.
 3. If the error still occurs on the same DIMM, replace the affected DIMM.
 4. (Trained technician only) If the problem occurs on the same DIMM connector, check the DIMM connector. If the connector contains any foreign material or is damaged, replace the system board.
 5. (Trained technician only) Remove the affected microprocessor and check the microprocessor socket pins for any damaged pins. If a damage is found, replace the system board.
 6. (Trained technician only) Replace the affected microprocessor.
- **806f050c-2006ffff : Memory Logging Limit Reached for [PhysicalMemoryElementName] on Subsystem [MemoryElementName]. (DIMM 6)**

This message is for the use case when an implementation has detected that the Memory Logging Limit has been Reached.

May also be shown as 806f050c2006ffff or 0x806f050c2006ffff

Severity

Warning

Serviceable

Yes

Automatically notify support

Yes

Alert Category

Warning - Memory

SNMP Trap ID

43

CIM Information

Prefix: PLAT ID: 0144

User Response

Note: Each time you install or remove a DIMM, you must disconnect the server from the power source; then, wait 10 seconds before restarting the server.

1. Check the IBM support website for an applicable retain tip or firmware update that applies to this memory error.
2. Swap the affected DIMMs (as indicated by the error LEDs on the system board or the event logs) to a different memory channel or microprocessor.
3. If the error still occurs on the same DIMM, replace the affected DIMM.

4. (Trained technician only) If the problem occurs on the same DIMM connector, check the DIMM connector. If the connector contains any foreign material or is damaged, replace the system board.
5. (Trained technician only) Remove the affected microprocessor and check the microprocessor socket pins for any damaged pins. If a damage is found, replace the system board.
6. (Trained technician only) Replace the affected microprocessor.

- **806f050c-2007ffff : Memory Logging Limit Reached for [PhysicalMemoryElementName] on Subsystem [MemoryElementName]. (DIMM 7)**

This message is for the use case when an implementation has detected that the Memory Logging Limit has been Reached.

May also be shown as 806f050c2007ffff or 0x806f050c2007ffff

Severity

Warning

Serviceable

Yes

Automatically notify support

Yes

Alert Category

Warning - Memory

SNMP Trap ID

43

CIM Information

Prefix: PLAT ID: 0144

User Response

Note: Each time you install or remove a DIMM, you must disconnect the server from the power source; then, wait 10 seconds before restarting the server.

1. Check the IBM support website for an applicable retain tip or firmware update that applies to this memory error.
2. Swap the affected DIMMs (as indicated by the error LEDs on the system board or the event logs) to a different memory channel or microprocessor.
3. If the error still occurs on the same DIMM, replace the affected DIMM.
4. (Trained technician only) If the problem occurs on the same DIMM connector, check the DIMM connector. If the connector contains any foreign material or is damaged, replace the system board.
5. (Trained technician only) Remove the affected microprocessor and check the microprocessor socket pins for any damaged pins. If a damage is found, replace the system board.
6. (Trained technician only) Replace the affected microprocessor.

- **806f050c-2008ffff : Memory Logging Limit Reached for [PhysicalMemoryElementName] on Subsystem [MemoryElementName]. (DIMM 8)**

This message is for the use case when an implementation has detected that the Memory Logging Limit has been Reached.

May also be shown as 806f050c2008ffff or 0x806f050c2008ffff

Severity

Warning

Serviceable

Yes

Automatically notify support

Yes

Alert Category

Warning - Memory

SNMP Trap ID

43

CIM Information

Prefix: PLAT ID: 0144

User Response

Note: Each time you install or remove a DIMM, you must disconnect the server from the power source; then, wait 10 seconds before restarting the server.

1. Check the IBM support website for an applicable retain tip or firmware update that applies to this memory error.
 2. Swap the affected DIMMs (as indicated by the error LEDs on the system board or the event logs) to a different memory channel or microprocessor.
 3. If the error still occurs on the same DIMM, replace the affected DIMM.
 4. (Trained technician only) If the problem occurs on the same DIMM connector, check the DIMM connector. If the connector contains any foreign material or is damaged, replace the system board.
 5. (Trained technician only) Remove the affected microprocessor and check the microprocessor socket pins for any damaged pins. If a damage is found, replace the system board.
 6. (Trained technician only) Replace the affected microprocessor.
- **806f050c-2009ffff : Memory Logging Limit Reached for [PhysicalMemoryElementName] on Subsystem [MemoryElementName]. (DIMM 9)**

This message is for the use case when an implementation has detected that the Memory Logging Limit has been Reached.

May also be shown as 806f050c2009ffff or 0x806f050c2009ffff

Severity

Warning

Serviceable

Yes

Automatically notify support

Yes

Alert Category

Warning - Memory

SNMP Trap ID

43

CIM Information

Prefix: PLAT ID: 0144

User Response

Note: Each time you install or remove a DIMM, you must disconnect the server from the power source; then, wait 10 seconds before restarting the server.

1. Check the IBM support website for an applicable retain tip or firmware update that applies to this memory error.
2. Swap the affected DIMMs (as indicated by the error LEDs on the system board or the event logs) to a different memory channel or microprocessor.
3. If the error still occurs on the same DIMM, replace the affected DIMM.
4. (Trained technician only) If the problem occurs on the same DIMM connector, check the DIMM connector. If the connector contains any foreign material or is damaged, replace the system board.
5. (Trained technician only) Remove the affected microprocessor and check the microprocessor socket pins for any damaged pins. If a damage is found, replace the system board.
6. (Trained technician only) Replace the affected microprocessor.

- **806f050c-200affff : Memory Logging Limit Reached for [PhysicalMemoryElementName] on Subsystem [MemoryElementName]. (DIMM 10)**

This message is for the use case when an implementation has detected that the Memory Logging Limit has been Reached.

May also be shown as 806f050c200affff or 0x806f050c200affff

Severity

Warning

Serviceable

Yes

Automatically notify support

Yes

Alert Category

Warning - Memory

SNMP Trap ID

43

CIM Information

Prefix: PLAT ID: 0144

User Response

Note: Each time you install or remove a DIMM, you must disconnect the server from the power source; then, wait 10 seconds before restarting the server.

1. Check the IBM support website for an applicable retain tip or firmware update that applies to this memory error.
2. Swap the affected DIMMs (as indicated by the error LEDs on the system board or the event logs) to a different memory channel or microprocessor.
3. If the error still occurs on the same DIMM, replace the affected DIMM.
4. (Trained technician only) If the problem occurs on the same DIMM connector, check the DIMM connector. If the connector contains any foreign material or is damaged, replace the system board.
5. (Trained technician only) Remove the affected microprocessor and check the microprocessor socket pins for any damaged pins. If a damage is found, replace the system board.
6. (Trained technician only) Replace the affected microprocessor.

- **806f050c-200bffff : Memory Logging Limit Reached for [PhysicalMemoryElementName] on Subsystem [MemoryElementName]. (DIMM 11)**

This message is for the use case when an implementation has detected that the Memory Logging Limit has been Reached.

May also be shown as 806f050c200bffff or 0x806f050c200bffff

Severity

Warning

Serviceable

Yes

Automatically notify support

Yes

Alert Category

Warning - Memory

SNMP Trap ID

43

CIM Information

Prefix: PLAT ID: 0144

User Response

Note: Each time you install or remove a DIMM, you must disconnect the server from the power source; then, wait 10 seconds before restarting the server.

1. Check the IBM support website for an applicable retain tip or firmware update that applies to this memory error.
2. Swap the affected DIMMs (as indicated by the error LEDs on the system board or the event logs) to a different memory channel or microprocessor.
3. If the error still occurs on the same DIMM, replace the affected DIMM.
4. (Trained technician only) If the problem occurs on the same DIMM connector, check the DIMM connector. If the connector contains any foreign material or is damaged, replace the system board.
5. (Trained technician only) Remove the affected microprocessor and check the microprocessor socket pins for any damaged pins. If a damage is found, replace the system board.
6. (Trained technician only) Replace the affected microprocessor.

- **806f050c-200cffff : Memory Logging Limit Reached for [PhysicalMemoryElementName] on Subsystem [MemoryElementName]. (DIMM 12)**

This message is for the use case when an implementation has detected that the Memory Logging Limit has been Reached.

May also be shown as 806f050c200cffff or 0x806f050c200cffff

Severity

Warning

Serviceable

Yes

Automatically notify support

Yes

Alert Category

Warning - Memory

SNMP Trap ID

43

CIM Information

Prefix: PLAT ID: 0144

User Response

Note: Each time you install or remove a DIMM, you must disconnect the server from the power source; then, wait 10 seconds before restarting the server.

1. Check the IBM support website for an applicable retain tip or firmware update that applies to this memory error.
 2. Swap the affected DIMMs (as indicated by the error LEDs on the system board or the event logs) to a different memory channel or microprocessor.
 3. If the error still occurs on the same DIMM, replace the affected DIMM.
 4. (Trained technician only) If the problem occurs on the same DIMM connector, check the DIMM connector. If the connector contains any foreign material or is damaged, replace the system board.
 5. (Trained technician only) Remove the affected microprocessor and check the microprocessor socket pins for any damaged pins. If a damage is found, replace the system board.
 6. (Trained technician only) Replace the affected microprocessor.
- **806f050c-2581ffff : Memory Logging Limit Reached for [PhysicalMemoryElementName] on Subsystem [MemoryElementName]. (All DIMMS)**

This message is for the use case when an implementation has detected that the Memory Logging Limit has been Reached.

May also be shown as 806f050c2581ffff or 0x806f050c2581ffff

Severity

Warning

Serviceable

Yes

Automatically notify support

Yes

Alert Category

Warning - Memory

SNMP Trap ID

43

CIM Information

Prefix: PLAT ID: 0144

User Response

Note: Each time you install or remove a DIMM, you must disconnect the server from the power source; then, wait 10 seconds before restarting the server.

1. Check the IBM support website for an applicable retain tip or firmware update that applies to this memory error.
2. Swap the affected DIMMs (as indicated by the error LEDs on the system board or the event logs) to a different memory channel or microprocessor.
3. If the error still occurs on the same DIMM, replace the affected DIMM.

4. (Trained technician only) If the problem occurs on the same DIMM connector, check the DIMM connector. If the connector contains any foreign material or is damaged, replace the system board.
5. (Trained technician only) Remove the affected microprocessor and check the microprocessor socket pins for any damaged pins. If a damage is found, replace the system board.
6. (Trained technician only) Replace the affected microprocessor. One of the DIMMs :

- **806f050d-0400ffff : Array [ComputerSystemElementName] is in critical condition. (Drive 0)**

This message is for the use case when an implementation has detected that an Array is Critical.

May also be shown as 806f050d0400ffff or 0x806f050d0400ffff

Severity

Error

Serviceable

Yes

Automatically notify support

No

Alert Category

Critical - Hard Disk drive

SNMP Trap ID

5

CIM Information

Prefix: PLAT ID: 0174

User Response

1. Make sure that the RAID adapter firmware and hard disk drive firmware are at the latest level.
2. Make sure that the SAS cable is connected correctly.
3. Replace the SAS cable.
4. Check backplane cable connection.
5. Replace the RAID adapter.
6. Replace the hard disk drive that is indicated by a lit status LED.

- **806f050d-0401ffff : Array [ComputerSystemElementName] is in critical condition. (Drive 1)**

This message is for the use case when an implementation has detected that an Array is Critical.

May also be shown as 806f050d0401ffff or 0x806f050d0401ffff

Severity

Error

Serviceable

Yes

Automatically notify support

No

Alert Category

Critical - Hard Disk drive

SNMP Trap ID

5

CIM Information

Prefix: PLAT ID: 0174

User Response

1. Make sure that the RAID adapter firmware and hard disk drive firmware are at the latest level.
2. Make sure that the SAS cable is connected correctly.
3. Replace the SAS cable.
4. Check backplane cable connection.
5. Replace the RAID adapter.
6. Replace the hard disk drive that is indicated by a lit status LED.

- **806f050d-0402ffff : Array [ComputerSystemElementName] is in critical condition. (Drive 2)**

This message is for the use case when an implementation has detected that an Array is Critical.

May also be shown as 806f050d0402ffff or 0x806f050d0402ffff

Severity

Error

Serviceable

Yes

Automatically notify support

No

Alert Category

Critical - Hard Disk drive

SNMP Trap ID

5

CIM Information

Prefix: PLAT ID: 0174

User Response

1. Make sure that the RAID adapter firmware and hard disk drive firmware are at the latest level.
2. Make sure that the SAS cable is connected correctly.
3. Replace the SAS cable.
4. Check backplane cable connection.
5. Replace the RAID adapter.
6. Replace the hard disk drive that is indicated by a lit status LED.

- **806f050d-0403ffff : Array [ComputerSystemElementName] is in critical condition. (Drive 3)**

This message is for the use case when an implementation has detected that an Array is Critical.

May also be shown as 806f050d0403ffff or 0x806f050d0403ffff

Severity

Error

Serviceable

Yes

Automatically notify support

No

Alert Category

Critical - Hard Disk drive

SNMP Trap ID

5

CIM Information

Prefix: PLAT ID: 0174

User Response

1. Make sure that the RAID adapter firmware and hard disk drive firmware are at the latest level.
 2. Make sure that the SAS cable is connected correctly.
 3. Replace the SAS cable.
 4. Check backplane cable connection.
 5. Replace the RAID adapter.
 6. Replace the hard disk drive that is indicated by a lit status LED.
- **806f050d-0404ffff : Array [ComputerSystemElementName] is in critical condition. (Drive 4)**

This message is for the use case when an implementation has detected that an Array is Critical.

May also be shown as 806f050d0404ffff or 0x806f050d0404ffff

Severity

Error

Serviceable

Yes

Automatically notify support

No

Alert Category

Critical - Hard Disk drive

SNMP Trap ID

5

CIM Information

Prefix: PLAT ID: 0174

User Response

1. Make sure that the RAID adapter firmware and hard disk drive firmware are at the latest level.
 2. Make sure that the SAS cable is connected correctly.
 3. Replace the SAS cable.
 4. Check backplane cable connection.
 5. Replace the RAID adapter.
 6. Replace the hard disk drive that is indicated by a lit status LED.
- **806f050d-0405ffff : Array [ComputerSystemElementName] is in critical condition. (Drive 5)**

This message is for the use case when an implementation has detected that an Array is Critical.

May also be shown as 806f050d0405ffff or 0x806f050d0405ffff

Severity

Error

Serviceable

Yes

Automatically notify support

No

Alert Category

Critical - Hard Disk drive

SNMP Trap ID

5

CIM Information

Prefix: PLAT ID: 0174

User Response

1. Make sure that the RAID adapter firmware and hard disk drive firmware are at the latest level.
 2. Make sure that the SAS cable is connected correctly.
 3. Replace the SAS cable.
 4. Check backplane cable connection.
 5. Replace the RAID adapter.
 6. Replace the hard disk drive that is indicated by a lit status LED.
- **806f050d-0406ffff : Array [ComputerSystemElementName] is in critical condition. (Drive 6)**

This message is for the use case when an implementation has detected that an Array is Critical.

May also be shown as 806f050d0406ffff or 0x806f050d0406ffff

Severity

Error

Serviceable

Yes

Automatically notify support

No

Alert Category

Critical - Hard Disk drive

SNMP Trap ID

5

CIM Information

Prefix: PLAT ID: 0174

User Response

1. Make sure that the RAID adapter firmware and hard disk drive firmware are at the latest level.
 2. Make sure that the SAS cable is connected correctly.
 3. Replace the SAS cable.
 4. Check backplane cable connection.
 5. Replace the RAID adapter.
 6. Replace the hard disk drive that is indicated by a lit status LED.
- **806f050d-0407ffff : Array [ComputerSystemElementName] is in critical condition. (Drive 7)**

This message is for the use case when an implementation has detected that an Array is Critical.

May also be shown as 806f050d0407ffff or 0x806f050d0407ffff

Severity

Error

Serviceable

Yes

Automatically notify support

No

Alert Category

Critical - Hard Disk drive

SNMP Trap ID

5

CIM Information

Prefix: PLAT ID: 0174

User Response

1. Make sure that the RAID adapter firmware and hard disk drive firmware are at the latest level.
 2. Make sure that the SAS cable is connected correctly.
 3. Replace the SAS cable.
 4. Check backplane cable connection.
 5. Replace the RAID adapter.
 6. Replace the hard disk drive that is indicated by a lit status LED.
- **806f0513-2582ffff : A PCI SERR has occurred on system [ComputerSystemElementName]. (PCIs)**

This message is for the use case when an implementation has detected a PCI SERR.

May also be shown as 806f05132582ffff or 0x806f05132582ffff

Severity

Error

Serviceable

Yes

Automatically notify support

No

Alert Category

Critical - Other

SNMP Trap ID

50

CIM Information

Prefix: PLAT ID: 0234

User Response

1. Check the PCI LED.
2. Reseat the affected adapters and riser card.
3. Update the server firmware (UEFI and IMM) and adapter firmware. Important: Some cluster solutions require specific code levels or coordinated code updates. If the device is part of a cluster solution, verify that the latest level of code is supported for the cluster solution before you update the code.

4. Make sure that the adapter is supported. For a list of supported optional devices, see <http://www.ibm.com/systems/info/x86servers/serverproven/compat/us/>.
5. Remove both adapters.
6. Replace the PCIe adapters.
7. Replace the riser card.

- **806f052b-2201ffff : Invalid or Unsupported firmware or software was detected on system [ComputerSystemElementName]. (IMM2 FW Failover)**

This message is for the use case when an implementation has detected an Invalid/Unsupported Firmware/Software Version.

May also be shown as 806f052b2201ffff or 0x806f052b2201ffff

Severity

Error

Serviceable

Yes

Automatically notify support

No

Alert Category

Critical - Other

SNMP Trap ID

50

CIM Information

Prefix: PLAT ID: 0446

User Response

1. Make sure the server meets the minimum configuration to start (see Power-supply LEDs).
2. Recover the server firmware from the backup page by restarting the server.
3. Update the server firmware to the latest level (see Updating the firmware). Important: Some cluster solutions require specific code levels or coordinated code updates. If the device is part of a cluster solution, verify that the latest level of code is supported for the cluster solution before you update the code.
4. Remove components one at a time, restarting the server each time, to see if the problem goes away.
5. If the problem remains, (trained service technician) replace the system board.

- **806f0607-0301ffff : An SM BIOS Uncorrectable CPU complex error for [ProcessorElementName] has asserted. (CPU 1)**

This message is for the use case when an SM BIOS Uncorrectable CPU complex error has asserted.

May also be shown as 806f06070301ffff or 0x806f06070301ffff

Severity

Error

Serviceable

Yes

Automatically notify support

No

Alert Category

Critical - CPU

SNMP Trap ID

40

CIM Information

Prefix: PLAT ID: 0816

User Response

1. Update the latest level of system firmware and device drivers are installed for all adapters and standard devices, such as UEFI, IMM Ethernet, and SAS. Important: Some cluster solutions require specific code levels or coordinated code updates. If the device is part of a cluster solution, verify that the latest level of code is supported for the cluster solution before you update the code.
 2. Run the DSA program.
 3. Reseat the adapter.
 4. Replace the adapter.
 5. (Trained technician only) Replace microprocessor n. (n = microprocessor number)
 6. (Trained technician only) Replace the system board.
- **806f0607-0302ffff : An SM BIOS Uncorrectable CPU complex error for [ProcessorElementName] has asserted. (CPU 2)**

This message is for the use case when an SM BIOS Uncorrectable CPU complex error has asserted.

May also be shown as 806f06070302ffff or 0x806f06070302ffff

Severity

Error

Serviceable

Yes

Automatically notify support

No

Alert Category

Critical - CPU

SNMP Trap ID

40

CIM Information

Prefix: PLAT ID: 0816

User Response

1. Update the latest level of system firmware and device drivers are installed for all adapters and standard devices, such as UEFI, IMM Ethernet, and SAS. Important: Some cluster solutions require specific code levels or coordinated code updates. If the device is part of a cluster solution, verify that the latest level of code is supported for the cluster solution before you update the code.
2. Run the DSA program.
3. Reseat the adapter.
4. Replace the adapter.
5. (Trained technician only) Replace microprocessor n. (n = microprocessor number)

6. (Trained technician only) Replace the system board.

- **806f0607-2584ffff : An SM BIOS Uncorrectable CPU complex error for [ProcessorElementName] has asserted. (All CPUs)**

This message is for the use case when an SM BIOS Uncorrectable CPU complex error has asserted.

May also be shown as 806f06072584ffff or 0x806f06072584ffff

Severity

Error

Serviceable

Yes

Automatically notify support

No

Alert Category

Critical - CPU

SNMP Trap ID

40

CIM Information

Prefix: PLAT ID: 0816

User Response

1. Update the latest level of system firmware and device drivers are installed for all adapters and standard devices, such as UEFI, IMM Ethernet, and SAS. Important: Some cluster solutions require specific code levels or coordinated code updates. If the device is part of a cluster solution, verify that the latest level of code is supported for the cluster solution before you update the code.
2. Run the DSA program.
3. Reseat the adapter.
4. Replace the adapter.
5. (Trained technician only) Replace microprocessor n. (n = microprocessor number)
6. (Trained technician only) Replace the system board. One of The CPUs :

- **806f0608-1301ffff : [PowerSupplyElementName] has a Configuration Mismatch. (PS Configuration)**

This message is for the use case when an implementation has detected a Power Supply with a Configuration Error.

May also be shown as 806f06081301ffff or 0x806f06081301ffff

Severity

Error

Serviceable

Yes

Automatically notify support

No

Alert Category

Critical - Power

SNMP Trap ID

4

CIM Information

Prefix: PLAT ID: 0104

User Response

1. Make sure that the power supplies installed are with the same rating or wattage.
2. Reinstall the power supplies with the same rating or wattage.

- **806f060d-0400ffff : Array [ComputerSystemElementName] has failed. (Drive 0)**

This message is for the use case when an implementation has detected that an Array Failed.

May also be shown as 806f060d0400ffff or 0x806f060d0400ffff

Severity

Error

Serviceable

Yes

Automatically notify support

Yes

Alert Category

Critical - Hard Disk drive

SNMP Trap ID

5

CIM Information

Prefix: PLAT ID: 0176

User Response

1. Make sure that the RAID adapter firmware and hard disk drive firmware are at the latest level.
2. Make sure that the SAS cable is connected correctly.
3. Replace the SAS cable.
4. Replace the RAID adapter.
5. Replace the hard disk drive that is indicated by a lit status LED.

- **806f060d-0401ffff : Array [ComputerSystemElementName] has failed. (Drive 1)**

This message is for the use case when an implementation has detected that an Array Failed.

May also be shown as 806f060d0401ffff or 0x806f060d0401ffff

Severity

Error

Serviceable

Yes

Automatically notify support

Yes

Alert Category

Critical - Hard Disk drive

SNMP Trap ID

5

CIM Information

Prefix: PLAT ID: 0176

User Response

1. Make sure that the RAID adapter firmware and hard disk drive firmware are at the latest level.
2. Make sure that the SAS cable is connected correctly.
3. Replace the SAS cable.
4. Replace the RAID adapter.
5. Replace the hard disk drive that is indicated by a lit status LED.

- **806f060d-0402ffff : Array [ComputerSystemElementName] has failed. (Drive 2)**

This message is for the use case when an implementation has detected that an Array Failed.

May also be shown as 806f060d0402ffff or 0x806f060d0402ffff

Severity

Error

Serviceable

Yes

Automatically notify support

Yes

Alert Category

Critical - Hard Disk drive

SNMP Trap ID

5

CIM Information

Prefix: PLAT ID: 0176

User Response

1. Make sure that the RAID adapter firmware and hard disk drive firmware are at the latest level.
2. Make sure that the SAS cable is connected correctly.
3. Replace the SAS cable.
4. Replace the RAID adapter.
5. Replace the hard disk drive that is indicated by a lit status LED.

- **806f060d-0403ffff : Array [ComputerSystemElementName] has failed. (Drive 3)**

This message is for the use case when an implementation has detected that an Array Failed.

May also be shown as 806f060d0403ffff or 0x806f060d0403ffff

Severity

Error

Serviceable

Yes

Automatically notify support

Yes

Alert Category

Critical - Hard Disk drive

SNMP Trap ID

5

CIM Information

Prefix: PLAT ID: 0176

User Response

1. Make sure that the RAID adapter firmware and hard disk drive firmware are at the latest level.
2. Make sure that the SAS cable is connected correctly.
3. Replace the SAS cable.
4. Replace the RAID adapter.
5. Replace the hard disk drive that is indicated by a lit status LED.

- **806f060d-0404ffff : Array [ComputerSystemElementName] has failed. (Drive 4)**

This message is for the use case when an implementation has detected that an Array Failed.

May also be shown as 806f060d0404ffff or 0x806f060d0404ffff

Severity

Error

Serviceable

Yes

Automatically notify support

Yes

Alert Category

Critical - Hard Disk drive

SNMP Trap ID

5

CIM Information

Prefix: PLAT ID: 0176

User Response

1. Make sure that the RAID adapter firmware and hard disk drive firmware are at the latest level.
2. Make sure that the SAS cable is connected correctly.
3. Replace the SAS cable.
4. Replace the RAID adapter.
5. Replace the hard disk drive that is indicated by a lit status LED.

- **806f060d-0405ffff : Array [ComputerSystemElementName] has failed. (Drive 5)**

This message is for the use case when an implementation has detected that an Array Failed.

May also be shown as 806f060d0405ffff or 0x806f060d0405ffff

Severity

Error

Serviceable

Yes

Automatically notify support

Yes

Alert Category

Critical - Hard Disk drive

SNMP Trap ID

5

CIM Information**Prefix:** PLAT ID: 0176**User Response**

1. Make sure that the RAID adapter firmware and hard disk drive firmware are at the latest level.
2. Make sure that the SAS cable is connected correctly.
3. Replace the SAS cable.
4. Replace the RAID adapter.
5. Replace the hard disk drive that is indicated by a lit status LED.

- **806f060d-0406ffff : Array [ComputerSystemElementName] has failed. (Drive 6)**

This message is for the use case when an implementation has detected that an Array Failed.

May also be shown as 806f060d0406ffff or 0x806f060d0406ffff

Severity

Error

Serviceable

Yes

Automatically notify support

Yes

Alert Category

Critical - Hard Disk drive

SNMP Trap ID

5

CIM Information**Prefix:** PLAT ID: 0176**User Response**

1. Make sure that the RAID adapter firmware and hard disk drive firmware are at the latest level.
2. Make sure that the SAS cable is connected correctly.
3. Replace the SAS cable.
4. Replace the RAID adapter.
5. Replace the hard disk drive that is indicated by a lit status LED.

- **806f060d-0407ffff : Array [ComputerSystemElementName] has failed. (Drive 7)**

This message is for the use case when an implementation has detected that an Array Failed.

May also be shown as 806f060d0407ffff or 0x806f060d0407ffff

Severity

Error

Serviceable

Yes

Automatically notify support

Yes

Alert Category

Critical - Hard Disk drive

SNMP Trap ID

5

CIM Information

Prefix: PLAT ID: 0176

User Response

1. Make sure that the RAID adapter firmware and hard disk drive firmware are at the latest level.
2. Make sure that the SAS cable is connected correctly.
3. Replace the SAS cable.
4. Replace the RAID adapter.
5. Replace the hard disk drive that is indicated by a lit status LED.

- **806f070c-2001ffff : Configuration Error for [PhysicalMemoryElementName] on Subsystem [MemoryElementName]. (DIMM 1)**

This message is for the use case when an implementation has detected a Memory DIMM configuration error has been corrected.

May also be shown as 806f070c2001ffff or 0x806f070c2001ffff

Severity

Error

Serviceable

Yes

Automatically notify support

No

Alert Category

Critical - Memory

SNMP Trap ID

41

CIM Information

Prefix: PLAT ID: 0126

User Response

Make sure that DIMMs are installed and following the memory population chart in the system publication.

- **806f070c-2002ffff : Configuration Error for [PhysicalMemoryElementName] on Subsystem [MemoryElementName]. (DIMM 2)**

This message is for the use case when an implementation has detected a Memory DIMM configuration error has been corrected.

May also be shown as 806f070c2002ffff or 0x806f070c2002ffff

Severity

Error

Serviceable

Yes

Automatically notify support

No

Alert Category

Critical - Memory

SNMP Trap ID

41

CIM Information

Prefix: PLAT ID: 0126

User Response

Make sure that DIMMs are installed and following the memory population chart in the system publication.

- **806f070c-2003ffff : Configuration Error for [PhysicalMemoryElementName] on Subsystem [MemoryElementName]. (DIMM 3)**

This message is for the use case when an implementation has detected a Memory DIMM configuration error has been corrected.

May also be shown as 806f070c2003ffff or 0x806f070c2003ffff

Severity

Error

Serviceable

Yes

Automatically notify support

No

Alert Category

Critical - Memory

SNMP Trap ID

41

CIM Information

Prefix: PLAT ID: 0126

User Response

Make sure that DIMMs are installed and following the memory population chart in the system publication.

- **806f070c-2004ffff : Configuration Error for [PhysicalMemoryElementName] on Subsystem [MemoryElementName]. (DIMM 4)**

This message is for the use case when an implementation has detected a Memory DIMM configuration error has been corrected.

May also be shown as 806f070c2004ffff or 0x806f070c2004ffff

Severity

Error

Serviceable

Yes

Automatically notify support

No

Alert Category

Critical - Memory

SNMP Trap ID

41

CIM Information**Prefix:** PLAT ID: 0126**User Response**

Make sure that DIMMs are installed and following the memory population chart in the system publication.

- **806f070c-2005ffff : Configuration Error for [PhysicalMemoryElementName] on Subsystem [MemoryElementName]. (DIMM 5)**

This message is for the use case when an implementation has detected a Memory DIMM configuration error has been corrected.

May also be shown as 806f070c2005ffff or 0x806f070c2005ffff

Severity

Error

Serviceable

Yes

Automatically notify support

No

Alert Category

Critical - Memory

SNMP Trap ID

41

CIM Information**Prefix:** PLAT ID: 0126**User Response**

Make sure that DIMMs are installed and following the memory population chart in the system publication.

- **806f070c-2006ffff : Configuration Error for [PhysicalMemoryElementName] on Subsystem [MemoryElementName]. (DIMM 6)**

This message is for the use case when an implementation has detected a Memory DIMM configuration error has been corrected.

May also be shown as 806f070c2006ffff or 0x806f070c2006ffff

Severity

Error

Serviceable

Yes

Automatically notify support

No

Alert Category

Critical - Memory

SNMP Trap ID

41

CIM Information

Prefix: PLAT ID: 0126

User Response

Make sure that DIMMs are installed and following the memory population chart in the system publication.

- **806f070c-2007ffff : Configuration Error for [PhysicalMemoryElementName] on Subsystem [MemoryElementName]. (DIMM 7)**

This message is for the use case when an implementation has detected a Memory DIMM configuration error has been corrected.

May also be shown as 806f070c2007ffff or 0x806f070c2007ffff

Severity

Error

Serviceable

Yes

Automatically notify support

No

Alert Category

Critical - Memory

SNMP Trap ID

41

CIM Information

Prefix: PLAT ID: 0126

User Response

Make sure that DIMMs are installed and following the memory population chart in the system publication.

- **806f070c-2008ffff : Configuration Error for [PhysicalMemoryElementName] on Subsystem [MemoryElementName]. (DIMM 8)**

This message is for the use case when an implementation has detected a Memory DIMM configuration error has been corrected.

May also be shown as 806f070c2008ffff or 0x806f070c2008ffff

Severity

Error

Serviceable

Yes

Automatically notify support

No

Alert Category

Critical - Memory

SNMP Trap ID

41

CIM Information

Prefix: PLAT ID: 0126

User Response

Make sure that DIMMs are installed and following the memory population chart in the system publication.

- **806f070c-2009ffff : Configuration Error for [PhysicalMemoryElementName] on Subsystem [MemoryElementName]. (DIMM 9)**

This message is for the use case when an implementation has detected a Memory DIMM configuration error has been corrected.

May also be shown as 806f070c2009ffff or 0x806f070c2009ffff

Severity

Error

Serviceable

Yes

Automatically notify support

No

Alert Category

Critical - Memory

SNMP Trap ID

41

CIM Information

Prefix: PLAT ID: 0126

User Response

Make sure that DIMMs are installed and following the memory population chart in the system publication.

- **806f070c-200affff : Configuration Error for [PhysicalMemoryElementName] on Subsystem [MemoryElementName]. (DIMM 10)**

This message is for the use case when an implementation has detected a Memory DIMM configuration error has been corrected.

May also be shown as 806f070c200affff or 0x806f070c200affff

Severity

Error

Serviceable

Yes

Automatically notify support

No

Alert Category

Critical - Memory

SNMP Trap ID

41

CIM Information

Prefix: PLAT ID: 0126

User Response

Make sure that DIMMs are installed and following the memory population chart in the system publication.

- **806f070c-200bffff : Configuration Error for [PhysicalMemoryElementName] on Subsystem [MemoryElementName]. (DIMM 11)**

This message is for the use case when an implementation has detected a Memory DIMM configuration error has been corrected.

May also be shown as 806f070c200bffff or 0x806f070c200bffff

Severity

Error

Serviceable

Yes

Automatically notify support

No

Alert Category

Critical - Memory

SNMP Trap ID

41

CIM Information

Prefix: PLAT ID: 0126

User Response

Make sure that DIMMs are installed and following the memory population chart in the system publication.

- **806f070c-200cffff : Configuration Error for [PhysicalMemoryElementName] on Subsystem [MemoryElementName]. (DIMM 12)**

This message is for the use case when an implementation has detected a Memory DIMM configuration error has been corrected.

May also be shown as 806f070c200cffff or 0x806f070c200cffff

Severity

Error

Serviceable

Yes

Automatically notify support

No

Alert Category

Critical - Memory

SNMP Trap ID

41

CIM Information

Prefix: PLAT ID: 0126

User Response

Make sure that DIMMs are installed and following the memory population chart in the system publication.

- **806f070c-2581ffff : Configuration Error for [PhysicalMemoryElementName] on Subsystem [MemoryElementName]. (All DIMMS)**

This message is for the use case when an implementation has detected a Memory DIMM configuration error has been corrected.

May also be shown as 806f070c2581ffff or 0x806f070c2581ffff

Severity

Error

Serviceable

Yes

Automatically notify support

No

Alert Category

Critical - Memory

SNMP Trap ID

41

CIM Information

Prefix: PLAT ID: 0126

User Response

Make sure that DIMMs are installed and following the memory population chart in the system publication. One of the DIMMs :

- **806f070d-0400ffff : Rebuild in progress for Array in system [ComputerSystemElementName]. (Drive 0)**

This message is for the use case when an implementation has detected that an Array Rebuild is in Progress.

May also be shown as 806f070d0400ffff or 0x806f070d0400ffff

Severity

Info

Serviceable

No

Automatically notify support

No

Alert Category

System - Other

SNMP Trap ID

CIM Information

Prefix: PLAT ID: 0178

User Response

No action; information only.

- **806f070d-0401ffff : Rebuild in progress for Array in system [ComputerSystemElementName]. (Drive 1)**

This message is for the use case when an implementation has detected that an Array Rebuild is in Progress.

May also be shown as 806f070d0401ffff or 0x806f070d0401ffff

Severity

Info

Serviceable

No

Automatically notify support

No

Alert Category

System - Other

SNMP Trap ID**CIM Information**

Prefix: PLAT ID: 0178

User Response

No action; information only.

- **806f070d-0402ffff : Rebuild in progress for Array in system [ComputerSystemElementName]. (Drive 2)**

This message is for the use case when an implementation has detected that an Array Rebuild is in Progress.

May also be shown as 806f070d0402ffff or 0x806f070d0402ffff

Severity

Info

Serviceable

No

Automatically notify support

No

Alert Category

System - Other

SNMP Trap ID**CIM Information**

Prefix: PLAT ID: 0178

User Response

No action; information only.

- **806f070d-0403ffff : Rebuild in progress for Array in system [ComputerSystemElementName]. (Drive 3)**

This message is for the use case when an implementation has detected that an Array Rebuild is in Progress.

May also be shown as 806f070d0403ffff or 0x806f070d0403ffff

Severity

Info

Serviceable

No

Automatically notify support

No

Alert Category

System - Other

SNMP Trap ID**CIM Information**

Prefix: PLAT ID: 0178

User Response

No action; information only.

- **806f070d-0404ffff : Rebuild in progress for Array in system [ComputerSystemElementName]. (Drive 4)**

This message is for the use case when an implementation has detected that an Array Rebuild is in Progress.

May also be shown as 806f070d0404ffff or 0x806f070d0404ffff

Severity

Info

Serviceable

No

Automatically notify support

No

Alert Category

System - Other

SNMP Trap ID**CIM Information**

Prefix: PLAT ID: 0178

User Response

No action; information only.

- **806f070d-0405ffff : Rebuild in progress for Array in system [ComputerSystemElementName]. (Drive 5)**

This message is for the use case when an implementation has detected that an Array Rebuild is in Progress.

May also be shown as 806f070d0405ffff or 0x806f070d0405ffff

Severity

Info

Serviceable

No

Automatically notify support

No

Alert Category

System - Other

SNMP Trap ID

CIM Information

Prefix: PLAT ID: 0178

User Response

No action; information only.

- **806f070d-0406ffff : Rebuild in progress for Array in system [ComputerSystemElementName]. (Drive 6)**

This message is for the use case when an implementation has detected that an Array Rebuild is in Progress.

May also be shown as 806f070d0406ffff or 0x806f070d0406ffff

Severity

Info

Serviceable

No

Automatically notify support

No

Alert Category

System - Other

SNMP Trap ID

CIM Information

Prefix: PLAT ID: 0178

User Response

No action; information only.

- **806f070d-0407ffff : Rebuild in progress for Array in system [ComputerSystemElementName]. (Drive 7)**

This message is for the use case when an implementation has detected that an Array Rebuild is in Progress.

May also be shown as 806f070d0407ffff or 0x806f070d0407ffff

Severity

Info

Serviceable

No

Automatically notify support

No

Alert Category

System - Other

SNMP Trap ID

CIM Information

Prefix: PLAT ID: 0178

User Response

No action; information only.

- **806f072b-2201ffff : A successful software or firmware change was detected on system [ComputerSystemElementName]. (Bkup Auto Update)**

This message is for the use case when an implementation has detected a Successful Software or Firmware Change.

May also be shown as 806f072b2201ffff or 0x806f072b2201ffff

Severity

Info

Serviceable

No

Automatically notify support

No

Alert Category

System - Other

SNMP Trap ID**CIM Information**

Prefix: PLAT ID: 0450

User Response

No action; information only. ROM Recovery :

- **806f0807-0301ffff : [ProcessorElementName] has been Disabled. (CPU 1)**

This message is for the use case when an implementation has detected a Processor has been Disabled.

May also be shown as 806f08070301ffff or 0x806f08070301ffff

Severity

Info

Serviceable

No

Automatically notify support

No

Alert Category

System - Other

SNMP Trap ID**CIM Information**

Prefix: PLAT ID: 0061

User Response

No action; information only.

- **806f0807-0302ffff : [ProcessorElementName] has been Disabled. (CPU 2)**

This message is for the use case when an implementation has detected a Processor has been Disabled.

May also be shown as 806f08070302ffff or 0x806f08070302ffff

Severity

Info

Serviceable

No

Automatically notify support

No

Alert Category

System - Other

SNMP Trap ID**CIM Information**

Prefix: PLAT ID: 0061

User Response

No action; information only.

- **806f0807-2584ffff : [ProcessorElementName] has been Disabled. (All CPUs)**

This message is for the use case when an implementation has detected a Processor has been Disabled.

May also be shown as 806f08072584ffff or 0x806f08072584ffff

Severity

Info

Serviceable

No

Automatically notify support

No

Alert Category

System - Other

SNMP Trap ID**CIM Information**

Prefix: PLAT ID: 0061

User Response

No action; information only. One of The CPUs :

- **806f0813-2581ffff : A Uncorrectable Bus Error has occurred on system [ComputerSystemElementName]. (DIMMs)**

This message is for the use case when an implementation has detected a Bus Uncorrectable Error.

May also be shown as 806f08132581ffff or 0x806f08132581ffff

Severity

Error

Serviceable

Yes

Automatically notify support

Yes

Alert Category

Critical - Other

SNMP Trap ID

50

CIM Information

Prefix: PLAT ID: 0240

User Response

1. Check the system-event log.
 2. Check the DIMM error LEDs.
 3. Remove the failing DIMM from the system board.
 4. Check for a server firmware update. Important: Some cluster solutions require specific code levels or coordinated code updates. If the device is part of a cluster solution, verify that the latest level of code is supported for the cluster solution before you update the code.
 5. Make sure that the installed DIMMs are supported and configured correctly.
 6. (Trained technician only) Replace the system board.
- **806f0813-2582ffff : A Uncorrectable Bus Error has occurred on system [ComputerSystemElementName]. (PCIs)**

This message is for the use case when an implementation has detected a Bus Uncorrectable Error.

May also be shown as 806f08132582ffff or 0x806f08132582ffff

Severity

Error

Serviceable

Yes

Automatically notify support

Yes

Alert Category

Critical - Other

SNMP Trap ID

50

CIM Information

Prefix: PLAT ID: 0240

User Response

1. Check the PCI LED.
 2. Reseat the affected adapter and riser card.
 3. Update the server firmware (UEFI and IMM) and adapter firmware. Important: Some cluster solutions require specific code levels or coordinated code updates. If the device is part of a cluster solution, verify that the latest level of code is supported for the cluster solution before you update the code.
 4. Replace the affected adapter.
 5. Replace the riser card.
 6. (Trained service technicians only) Replace the system board.
- **806f0813-2584ffff : A Uncorrectable Bus Error has occurred on system [ComputerSystemElementName]. (CPUs)**

This message is for the use case when an implementation has detected a Bus Uncorrectable Error.

May also be shown as 806f08132584ffff or 0x806f08132584ffff

Severity

Error

Serviceable

Yes

Automatically notify support

Yes

Alert Category

Critical - Other

SNMP Trap ID

50

CIM Information

Prefix: PLAT ID: 0240

User Response

1. Check the system-event log.
 2. (Trained technician only) Remove the failing microprocessor from the system board (see Removing a microprocessor and heat sink).
 3. Check for a server firmware update. Important: Some cluster solutions require specific code levels or coordinated code updates. If the device is part of a cluster solution, verify that the latest level of code is supported for the cluster solution before you update the code.
 4. Make sure that the two microprocessors are matching.
 5. (Trained technician only) Replace the system board.
- **806f0823-2101ffff : Watchdog Timer interrupt occurred for [WatchdogElementName]. (IPMI Watchdog)**

This message is for the use case when an implementation has detected a Watchdog Timer interrupt occurred.

May also be shown as 806f08232101ffff or 0x806f08232101ffff

Severity

Info

Serviceable

No

Automatically notify support

No

Alert Category

System - Other

SNMP Trap ID

CIM Information

Prefix: PLAT ID: 0376

User Response

No action; information only.

- **806f090c-2001ffff : [PhysicalMemoryElementName] on Subsystem [MemoryElementName] Throttled. (DIMM 1)**

This message is for the use case when an implementation has detected Memory has been Throttled.

May also be shown as 806f090c2001ffff or 0x806f090c2001ffff

Severity

Warning

Serviceable

Yes

Automatically notify support

No

Alert Category

System - Other

SNMP Trap ID

22

CIM Information

Prefix: PLAT ID: 0142

User Response

1. Reseat the DIMM, and then restart the server.
2. Replace DIMM n. (n = DIMM number)

- **806f090c-2002ffff : [PhysicalMemoryElementName] on Subsystem [MemoryElementName] Throttled. (DIMM 2)**

This message is for the use case when an implementation has detected Memory has been Throttled.

May also be shown as 806f090c2002ffff or 0x806f090c2002ffff

Severity

Warning

Serviceable

Yes

Automatically notify support

No

Alert Category

System - Other

SNMP Trap ID

22

CIM Information

Prefix: PLAT ID: 0142

User Response

1. Reseat the DIMM, and then restart the server.
2. Replace DIMM n. (n = DIMM number)

- **806f090c-2003ffff : [PhysicalMemoryElementName] on Subsystem [MemoryElementName] Throttled. (DIMM 3)**

This message is for the use case when an implementation has detected Memory has been Throttled.

May also be shown as 806f090c2003ffff or 0x806f090c2003ffff

Severity

Warning

Serviceable

Yes

Automatically notify support

No

Alert Category

System - Other

SNMP Trap ID

22

CIM Information

Prefix: PLAT ID: 0142

User Response

1. Reseat the DIMM, and then restart the server.
2. Replace DIMM n. (n = DIMM number)

- **806f090c-2004ffff : [PhysicalMemoryElementName] on Subsystem [MemoryElementName] Throttled. (DIMM 4)**

This message is for the use case when an implementation has detected Memory has been Throttled.

May also be shown as 806f090c2004ffff or 0x806f090c2004ffff

Severity

Warning

Serviceable

Yes

Automatically notify support

No

Alert Category

System - Other

SNMP Trap ID

22

CIM Information

Prefix: PLAT ID: 0142

User Response

1. Reseat the DIMM, and then restart the server.
2. Replace DIMM n. (n = DIMM number)

- **806f090c-2005ffff : [PhysicalMemoryElementName] on Subsystem [MemoryElementName] Throttled. (DIMM 5)**

This message is for the use case when an implementation has detected Memory has been Throttled.

May also be shown as 806f090c2005ffff or 0x806f090c2005ffff

Severity

Warning

Serviceable

Yes

Automatically notify support

No

Alert Category

System - Other

SNMP Trap ID

22

CIM Information**Prefix: PLAT ID:** 0142**User Response**

1. Reseat the DIMM, and then restart the server.
2. Replace DIMM n. (n = DIMM number)

- **806f090c-2006ffff : [PhysicalMemoryElementName] on Subsystem [MemoryElementName] Throttled. (DIMM 6)**

This message is for the use case when an implementation has detected Memory has been Throttled.

May also be shown as 806f090c2006ffff or 0x806f090c2006ffff

Severity

Warning

Serviceable

Yes

Automatically notify support

No

Alert Category

System - Other

SNMP Trap ID

22

CIM Information**Prefix: PLAT ID:** 0142**User Response**

1. Reseat the DIMM, and then restart the server.
2. Replace DIMM n. (n = DIMM number)

- **806f090c-2007ffff : [PhysicalMemoryElementName] on Subsystem [MemoryElementName] Throttled. (DIMM 7)**

This message is for the use case when an implementation has detected Memory has been Throttled.

May also be shown as 806f090c2007ffff or 0x806f090c2007ffff

Severity

Warning

Serviceable

Yes

Automatically notify support

No

Alert Category

System - Other

SNMP Trap ID

22

CIM Information

Prefix: PLAT ID: 0142

User Response

1. Reseat the DIMM, and then restart the server.
2. Replace DIMM n. (n = DIMM number)

- **806f090c-2008ffff : [PhysicalMemoryElementName] on Subsystem [MemoryElementName] Throttled. (DIMM 8)**

This message is for the use case when an implementation has detected Memory has been Throttled.

May also be shown as 806f090c2008ffff or 0x806f090c2008ffff

Severity

Warning

Serviceable

Yes

Automatically notify support

No

Alert Category

System - Other

SNMP Trap ID

22

CIM Information

Prefix: PLAT ID: 0142

User Response

1. Reseat the DIMM, and then restart the server.
2. Replace DIMM n. (n = DIMM number)

- **806f090c-2009ffff : [PhysicalMemoryElementName] on Subsystem [MemoryElementName] Throttled. (DIMM 9)**

This message is for the use case when an implementation has detected Memory has been Throttled.

May also be shown as 806f090c2009ffff or 0x806f090c2009ffff

Severity

Warning

Serviceable

Yes

Automatically notify support

No

Alert Category

System - Other

SNMP Trap ID

22

CIM Information**Prefix:** PLAT ID: 0142**User Response**

1. Reseat the DIMM, and then restart the server.
2. Replace DIMM n. (n = DIMM number)

- **806f090c-200afff : [PhysicalMemoryElementName] on Subsystem [MemoryElementName] Throttled. (DIMM 10)**

This message is for the use case when an implementation has detected Memory has been Throttled.

May also be shown as 806f090c200afff or 0x806f090c200afff

Severity

Warning

Serviceable

Yes

Automatically notify support

No

Alert Category

System - Other

SNMP Trap ID

22

CIM Information**Prefix:** PLAT ID: 0142**User Response**

1. Reseat the DIMM, and then restart the server.
2. Replace DIMM n. (n = DIMM number)

- **806f090c-200bfff : [PhysicalMemoryElementName] on Subsystem [MemoryElementName] Throttled. (DIMM 11)**

This message is for the use case when an implementation has detected Memory has been Throttled.

May also be shown as 806f090c200bfff or 0x806f090c200bfff

Severity

Warning

Serviceable

Yes

Automatically notify support

No

Alert Category

System - Other

SNMP Trap ID

22

CIM Information

Prefix: PLAT ID: 0142

User Response

1. Reseat the DIMM, and then restart the server.
2. Replace DIMM n. (n = DIMM number)

- **806f090c-200cffff : [PhysicalMemoryElementName] on Subsystem [MemoryElementName] Throttled. (DIMM 12)**

This message is for the use case when an implementation has detected Memory has been Throttled.

May also be shown as 806f090c200cffff or 0x806f090c200cffff

Severity

Warning

Serviceable

Yes

Automatically notify support

No

Alert Category

System - Other

SNMP Trap ID

22

CIM Information

Prefix: PLAT ID: 0142

User Response

1. Reseat the DIMM, and then restart the server.
2. Replace DIMM n. (n = DIMM number)

- **806f0a07-0301ffff : [ProcessorElementName] is operating in a Degraded State. (CPU 1)**

This message is for the use case when an implementation has detected a Processor is running in the Degraded state.

May also be shown as 806f0a070301ffff or 0x806f0a070301ffff

Severity

Warning

Serviceable

Yes

Automatically notify support

No

Alert Category

Warning - CPU

SNMP Trap ID

42

CIM Information

Prefix: PLAT ID: 0038

User Response

1. Make sure that the fans are operating, that there are no obstructions to the airflow (front and rear of the server), that the air baffles are in place and correctly installed, and that the server cover is installed and completely closed.
2. Check the ambient temperature. You must be operating within the specifications.
3. Make sure that the heat sink for microprocessor n is installed correctly.
4. (Trained technician only) Replace microprocessor n. (n = microprocessor number)

- **806f0a07-0302ffff : [ProcessorElementName] is operating in a Degraded State. (CPU 2)**

This message is for the use case when an implementation has detected a Processor is running in the Degraded state.

May also be shown as 806f0a070302ffff or 0x806f0a070302ffff

Severity

Warning

Serviceable

Yes

Automatically notify support

No

Alert Category

Warning - CPU

SNMP Trap ID

42

CIM Information

Prefix: PLAT ID: 0038

User Response

1. Make sure that the fans are operating, that there are no obstructions to the airflow (front and rear of the server), that the air baffles are in place and correctly installed, and that the server cover is installed and completely closed.
2. Check the ambient temperature. You must be operating within the specifications.
3. Make sure that the heat sink for microprocessor n is installed correctly.
4. (Trained technician only) Replace microprocessor n. (n = microprocessor number)

- **806f0a0c-2001ffff : An Over-Temperature Condition has been detected on the [PhysicalMemoryElementName] on Subsystem [MemoryElementName]. (DIMM 1)**

This message is for the use case when an implementation has detected an Over Temperature Condition for Memory that has been Detected.

May also be shown as 806f0a0c2001ffff or 0x806f0a0c2001ffff

Severity

Error

Serviceable

Yes

Automatically notify support

No

Alert Category

Critical - Temperature

SNMP Trap ID

0

CIM Information**Prefix:** PLAT ID: 0146**User Response**

1. Make sure that the fans are operating, that there are no obstructions to the airflow, that the air baffles are in place and correctly installed, and that the server cover is installed and completely closed.
2. Make sure that ambient temperature is within the specifications.
3. If a fan has failed, complete the action for a fan failure.
4. Replace DIMM n. (n = DIMM number)

- **806f0a0c-2002ffff : An Over-Temperature Condition has been detected on the [PhysicalMemoryElementName] on Subsystem [MemoryElementName]. (DIMM 2)**

This message is for the use case when an implementation has detected an Over Temperature Condition for Memory that has been Detected.

May also be shown as 806f0a0c2002ffff or 0x806f0a0c2002ffff

Severity

Error

Serviceable

Yes

Automatically notify support

No

Alert Category

Critical - Temperature

SNMP Trap ID

0

CIM Information**Prefix:** PLAT ID: 0146**User Response**

1. Make sure that the fans are operating, that there are no obstructions to the airflow, that the air baffles are in place and correctly installed, and that the server cover is installed and completely closed.
2. Make sure that ambient temperature is within the specifications.
3. If a fan has failed, complete the action for a fan failure.
4. Replace DIMM n. (n = DIMM number)

- **806f0a0c-2003ffff : An Over-Temperature Condition has been detected on the [PhysicalMemoryElementName] on Subsystem [MemoryElementName]. (DIMM 3)**

This message is for the use case when an implementation has detected an Over Temperature Condition for Memory that has been Detected.

May also be shown as 806f0a0c2003ffff or 0x806f0a0c2003ffff

Severity

Error

Serviceable

Yes

Automatically notify support

No

Alert Category

Critical - Temperature

SNMP Trap ID

0

CIM Information

Prefix: PLAT ID: 0146

User Response

1. Make sure that the fans are operating, that there are no obstructions to the airflow, that the air baffles are in place and correctly installed, and that the server cover is installed and completely closed.
 2. Make sure that ambient temperature is within the specifications.
 3. If a fan has failed, complete the action for a fan failure.
 4. Replace DIMM n. (n = DIMM number)
- **806f0a0c-2004ffff : An Over-Temperature Condition has been detected on the [PhysicalMemoryElementName] on Subsystem [MemoryElementName]. (DIMM 4)**

This message is for the use case when an implementation has detected an Over Temperature Condition for Memory that has been Detected.

May also be shown as 806f0a0c2004ffff or 0x806f0a0c2004ffff

Severity

Error

Serviceable

Yes

Automatically notify support

No

Alert Category

Critical - Temperature

SNMP Trap ID

0

CIM Information

Prefix: PLAT ID: 0146

User Response

1. Make sure that the fans are operating, that there are no obstructions to the airflow, that the air baffles are in place and correctly installed, and that the server cover is installed and completely closed.
 2. Make sure that ambient temperature is within the specifications.
 3. If a fan has failed, complete the action for a fan failure.
 4. Replace DIMM n. (n = DIMM number)
- **806f0a0c-2005ffff : An Over-Temperature Condition has been detected on the [PhysicalMemoryElementName] on Subsystem [MemoryElementName]. (DIMM 5)**

This message is for the use case when an implementation has detected an Over Temperature Condition for Memory that has been Detected.

May also be shown as 806f0a0c2005ffff or 0x806f0a0c2005ffff

Severity

Error

Serviceable

Yes

Automatically notify support

No

Alert Category

Critical - Temperature

SNMP Trap ID

0

CIM Information

Prefix: PLAT ID: 0146

User Response

1. Make sure that the fans are operating, that there are no obstructions to the airflow, that the air baffles are in place and correctly installed, and that the server cover is installed and completely closed.
 2. Make sure that ambient temperature is within the specifications.
 3. If a fan has failed, complete the action for a fan failure.
 4. Replace DIMM n. (n = DIMM number)
- **806f0a0c-2006ffff : An Over-Temperature Condition has been detected on the [PhysicalMemoryElementName] on Subsystem [MemoryElementName]. (DIMM 6)**

This message is for the use case when an implementation has detected an Over Temperature Condition for Memory that has been Detected.

May also be shown as 806f0a0c2006ffff or 0x806f0a0c2006ffff

Severity

Error

Serviceable

Yes

Automatically notify support

No

Alert Category

Critical - Temperature

SNMP Trap ID

0

CIM Information

Prefix: PLAT ID: 0146

User Response

1. Make sure that the fans are operating, that there are no obstructions to the airflow, that the air baffles are in place and correctly installed, and that the server cover is installed and completely closed.

2. Make sure that ambient temperature is within the specifications.
3. If a fan has failed, complete the action for a fan failure.
4. Replace DIMM n. (n = DIMM number)

- **806f0a0c-2007ffff : An Over-Temperature Condition has been detected on the [PhysicalMemoryElementName] on Subsystem [MemoryElementName]. (DIMM 7)**

This message is for the use case when an implementation has detected an Over Temperature Condition for Memory that has been Detected.

May also be shown as 806f0a0c2007ffff or 0x806f0a0c2007ffff

Severity

Error

Serviceable

Yes

Automatically notify support

No

Alert Category

Critical - Temperature

SNMP Trap ID

0

CIM Information

Prefix: PLAT ID: 0146

User Response

1. Make sure that the fans are operating, that there are no obstructions to the airflow, that the air baffles are in place and correctly installed, and that the server cover is installed and completely closed.
2. Make sure that ambient temperature is within the specifications.
3. If a fan has failed, complete the action for a fan failure.
4. Replace DIMM n. (n = DIMM number)

- **806f0a0c-2008ffff : An Over-Temperature Condition has been detected on the [PhysicalMemoryElementName] on Subsystem [MemoryElementName]. (DIMM 8)**

This message is for the use case when an implementation has detected an Over Temperature Condition for Memory that has been Detected.

May also be shown as 806f0a0c2008ffff or 0x806f0a0c2008ffff

Severity

Error

Serviceable

Yes

Automatically notify support

No

Alert Category

Critical - Temperature

SNMP Trap ID

0

CIM Information

Prefix: PLAT ID: 0146

User Response

1. Make sure that the fans are operating, that there are no obstructions to the airflow, that the air baffles are in place and correctly installed, and that the server cover is installed and completely closed.
2. Make sure that ambient temperature is within the specifications.
3. If a fan has failed, complete the action for a fan failure.
4. Replace DIMM n. (n = DIMM number)

- **806f0a0c-2009ffff : An Over-Temperature Condition has been detected on the [PhysicalMemoryElementName] on Subsystem [MemoryElementName]. (DIMM 9)**

This message is for the use case when an implementation has detected an Over Temperature Condition for Memory that has been Detected.

May also be shown as 806f0a0c2009ffff or 0x806f0a0c2009ffff

Severity

Error

Serviceable

Yes

Automatically notify support

No

Alert Category

Critical - Temperature

SNMP Trap ID

0

CIM Information

Prefix: PLAT ID: 0146

User Response

1. Make sure that the fans are operating, that there are no obstructions to the airflow, that the air baffles are in place and correctly installed, and that the server cover is installed and completely closed.
2. Make sure that ambient temperature is within the specifications.
3. If a fan has failed, complete the action for a fan failure.
4. Replace DIMM n. (n = DIMM number)

- **806f0a0c-200affff : An Over-Temperature Condition has been detected on the [PhysicalMemoryElementName] on Subsystem [MemoryElementName]. (DIMM 10)**

This message is for the use case when an implementation has detected an Over Temperature Condition for Memory that has been Detected.

May also be shown as 806f0a0c200affff or 0x806f0a0c200affff

Severity

Error

Serviceable

Yes

Automatically notify support

No

Alert Category

Critical - Temperature

SNMP Trap ID

0

CIM Information

Prefix: PLAT ID: 0146

User Response

1. Make sure that the fans are operating, that there are no obstructions to the airflow, that the air baffles are in place and correctly installed, and that the server cover is installed and completely closed.
 2. Make sure that ambient temperature is within the specifications.
 3. If a fan has failed, complete the action for a fan failure.
 4. Replace DIMM n. (n = DIMM number)
- **806f0a0c-200bffff : An Over-Temperature Condition has been detected on the [PhysicalMemoryElementName] on Subsystem [MemoryElementName]. (DIMM 11)**

This message is for the use case when an implementation has detected an Over Temperature Condition for Memory that has been Detected.

May also be shown as 806f0a0c200bffff or 0x806f0a0c200bffff

Severity

Error

Serviceable

Yes

Automatically notify support

No

Alert Category

Critical - Temperature

SNMP Trap ID

0

CIM Information

Prefix: PLAT ID: 0146

User Response

1. Make sure that the fans are operating, that there are no obstructions to the airflow, that the air baffles are in place and correctly installed, and that the server cover is installed and completely closed.
 2. Make sure that ambient temperature is within the specifications.
 3. If a fan has failed, complete the action for a fan failure.
 4. Replace DIMM n. (n = DIMM number)
- **806f0a0c-200cffff : An Over-Temperature Condition has been detected on the [PhysicalMemoryElementName] on Subsystem [MemoryElementName]. (DIMM 12)**

This message is for the use case when an implementation has detected an Over Temperature Condition for Memory that has been Detected.

May also be shown as 806f0a0c200cffff or 0x806f0a0c200cffff

Severity

Error

Serviceable

Yes

Automatically notify support

No

Alert Category

Critical - Temperature

SNMP Trap ID

0

CIM Information

Prefix: PLAT ID: 0146

User Response

1. Make sure that the fans are operating, that there are no obstructions to the airflow, that the air baffles are in place and correctly installed, and that the server cover is installed and completely closed.
 2. Make sure that ambient temperature is within the specifications.
 3. If a fan has failed, complete the action for a fan failure.
 4. Replace DIMM n. (n = DIMM number)
- **806f0a13-0301ffff : A Fatal Bus Error has occurred on system [ComputerSystemElementName]. (CPU 1 PECI)**

This message is for the use case when an implementation has detected a Bus Fatal Error.

May also be shown as 806f0a130301ffff or 0x806f0a130301ffff

Severity

Error

Serviceable

Yes

Automatically notify support

No

Alert Category

Critical - Other

SNMP Trap ID

50

CIM Information

Prefix: PLAT ID: 0244

User Response

1. (Trained technician only)Reseat the microprocessor, and then restart the server.
 2. (Trained technician only)Replace microprocessor n. (n = microprocessor number)
- **806f0a13-0302ffff : A Fatal Bus Error has occurred on system [ComputerSystemElementName]. (CPU 2 PECI)**

This message is for the use case when an implementation has detected a Bus Fatal Error.

May also be shown as 806f0a130302ffff or 0x806f0a130302ffff

Severity

Error

Serviceable

Yes

Automatically notify support

No

Alert Category

Critical - Other

SNMP Trap ID

50

CIM Information

Prefix: PLAT ID: 0244

User Response

1. (Trained technician only)Reseat the microprocessor, and then restart the server.
 2. (Trained technician only)Replace microprocessor n. (n = microprocessor number)
- **81010002-0701ffff : Numeric sensor [NumericSensorElementName] going low (lower non-critical) has deasserted. (CMOS Battery)**

This message is for the use case when an implementation has detected a Lower Non-critical sensor going low has deasserted.

May also be shown as 810100020701ffff or 0x810100020701ffff

Severity

Info

Serviceable

No

Automatically notify support

No

Alert Category

Warning - Voltage

SNMP Trap ID

13

CIM Information

Prefix: PLAT ID: 0477

User Response

No action; information only.

- **81010202-0701ffff : Numeric sensor [NumericSensorElementName] going low (lower critical) has deasserted. (CMOS Battery)**

This message is for the use case when an implementation has detected a Lower Critical sensor going low has deasserted.

May also be shown as 810102020701ffff or 0x810102020701ffff

Severity

Info

Serviceable

No

Automatically notify support

No

Alert Category

Critical - Voltage

SNMP Trap ID

1

CIM Information

Prefix: PLAT ID: 0481

User Response

No action; information only. SysBrd 12V : SysBrd 3.3V : SysBrd 5V :

- **81010204-1d01ffff : Numeric sensor [NumericSensorElementName] going low (lower critical) has deasserted. (Fan 1Aa Tach)**

This message is for the use case when an implementation has detected a Lower Critical sensor going low has deasserted.

May also be shown as 810102041d01ffff or 0x810102041d01ffff

Severity

Info

Serviceable

No

Automatically notify support

No

Alert Category

Critical - Fan Failure

SNMP Trap ID

11

CIM Information

Prefix: PLAT ID: 0481

User Response

No action; information only.

- **81010204-1d02ffff : Numeric sensor [NumericSensorElementName] going low (lower critical) has deasserted. (Fan 1Ab Tach)**

This message is for the use case when an implementation has detected a Lower Critical sensor going low has deasserted.

May also be shown as 810102041d02ffff or 0x810102041d02ffff

Severity

Info

Serviceable

No

Automatically notify support

No

Alert Category

Critical - Fan Failure

SNMP Trap ID

11

CIM Information

Prefix: PLAT ID: 0481

User Response

No action; information only.

- **81010204-1d03ffff : Numeric sensor [NumericSensorElementName] going low (lower critical) has deasserted. (Fan 1Ba Tach)**

This message is for the use case when an implementation has detected a Lower Critical sensor going low has deasserted.

May also be shown as 810102041d03ffff or 0x810102041d03ffff

Severity

Info

Serviceable

No

Automatically notify support

No

Alert Category

Critical - Fan Failure

SNMP Trap ID

11

CIM Information

Prefix: PLAT ID: 0481

User Response

No action; information only.

- **81010204-1d04ffff : Numeric sensor [NumericSensorElementName] going low (lower critical) has deasserted. (Fan 1Bb Tach)**

This message is for the use case when an implementation has detected a Lower Critical sensor going low has deasserted.

May also be shown as 810102041d04ffff or 0x810102041d04ffff

Severity

Info

Serviceable

No

Automatically notify support

No

Alert Category

Critical - Fan Failure

SNMP Trap ID

11

CIM Information**Prefix:** PLAT ID: 0481**User Response**

No action; information only.

- **81010204-1d05ffff : Numeric sensor [NumericSensorElementName] going low (lower critical) has deasserted. (Fan 2Aa Tach)**

This message is for the use case when an implementation has detected a Lower Critical sensor going low has deasserted.

May also be shown as 810102041d05ffff or 0x810102041d05ffff

Severity

Info

Serviceable

No

Automatically notify support

No

Alert Category

Critical - Fan Failure

SNMP Trap ID

11

CIM Information**Prefix:** PLAT ID: 0481**User Response**

No action; information only.

- **81010204-1d06ffff : Numeric sensor [NumericSensorElementName] going low (lower critical) has deasserted. (Fan 2Ab Tach)**

This message is for the use case when an implementation has detected a Lower Critical sensor going low has deasserted.

May also be shown as 810102041d06ffff or 0x810102041d06ffff

Severity

Info

Serviceable

No

Automatically notify support

No

Alert Category

Critical - Fan Failure

SNMP Trap ID

11

CIM Information**Prefix:** PLAT ID: 0481

User Response

No action; information only.

- **81010204-1d07ffff : Numeric sensor [NumericSensorElementName] going low (lower critical) has deasserted. (Fan 2Ba Tach)**

This message is for the use case when an implementation has detected a Lower Critical sensor going low has deasserted.

May also be shown as 810102041d07ffff or 0x810102041d07ffff

Severity

Info

Serviceable

No

Automatically notify support

No

Alert Category

Critical - Fan Failure

SNMP Trap ID

11

CIM Information

Prefix: PLAT ID: 0481

User Response

No action; information only.

- **81010204-1d08ffff : Numeric sensor [NumericSensorElementName] going low (lower critical) has deasserted. (Fan 2Bb Tach)**

This message is for the use case when an implementation has detected a Lower Critical sensor going low has deasserted.

May also be shown as 810102041d08ffff or 0x810102041d08ffff

Severity

Info

Serviceable

No

Automatically notify support

No

Alert Category

Critical - Fan Failure

SNMP Trap ID

11

CIM Information

Prefix: PLAT ID: 0481

User Response

No action; information only.

- **81010204-1d09ffff : Numeric sensor [NumericSensorElementName] going low (lower critical) has deasserted. (Fan 3Aa Tach)**

This message is for the use case when an implementation has detected a Lower Critical sensor going low has deasserted.

May also be shown as 810102041d09ffff or 0x810102041d09ffff

Severity

Info

Serviceable

No

Automatically notify support

No

Alert Category

Critical - Fan Failure

SNMP Trap ID

11

CIM Information

Prefix: PLAT ID: 0481

User Response

No action; information only.

- **81010204-1d0affff : Numeric sensor [NumericSensorElementName] going low (lower critical) has deasserted. (Fan 3Ab Tach)**

This message is for the use case when an implementation has detected a Lower Critical sensor going low has deasserted.

May also be shown as 810102041d0affff or 0x810102041d0affff

Severity

Info

Serviceable

No

Automatically notify support

No

Alert Category

Critical - Fan Failure

SNMP Trap ID

11

CIM Information

Prefix: PLAT ID: 0481

User Response

No action; information only.

- **81010204-1d0bffff : Numeric sensor [NumericSensorElementName] going low (lower critical) has deasserted. (Fan 3Ba Tach)**

This message is for the use case when an implementation has detected a Lower Critical sensor going low has deasserted.

May also be shown as 810102041d0bffff or 0x810102041d0bffff

Severity

Info

Serviceable

No

Automatically notify support

No

Alert Category

Critical - Fan Failure

SNMP Trap ID

11

CIM Information**Prefix:** PLAT ID: 0481**User Response**

No action; information only.

- **81010204-1d0cffff : Numeric sensor [NumericSensorElementName] going low (lower critical) has deasserted. (Fan 3Bb Tach)**

This message is for the use case when an implementation has detected a Lower Critical sensor going low has deasserted.

May also be shown as 810102041d0cffff or 0x810102041d0cffff

Severity

Info

Serviceable

No

Automatically notify support

No

Alert Category

Critical - Fan Failure

SNMP Trap ID

11

CIM Information**Prefix:** PLAT ID: 0481**User Response**

No action; information only.

- **81010701-0701ffff : Numeric sensor [NumericSensorElementName] going high (upper non-critical) has deasserted. (FHHL Temp)**

This message is for the use case when an implementation has detected an Upper Non-critical sensor going high has deasserted.

May also be shown as 810107010701ffff or 0x810107010701ffff

Severity

Info

Serviceable

No

Automatically notify support

No

Alert Category

Warning - Temperature

SNMP Trap ID

12

CIM Information

Prefix: PLAT ID: 0491

User Response

No action; information only. LowProfile Temp : Raid Temp :

- **81010701-0c01ffff : Numeric sensor [NumericSensorElementName] going high (upper non-critical) has deasserted. (Ambient Temp)**

This message is for the use case when an implementation has detected an Upper Non-critical sensor going high has deasserted.

May also be shown as 810107010c01ffff or 0x810107010c01ffff

Severity

Info

Serviceable

No

Automatically notify support

No

Alert Category

Warning - Temperature

SNMP Trap ID

12

CIM Information

Prefix: PLAT ID: 0491

User Response

No action; information only.

- **81010701-1401ffff : Numeric sensor [NumericSensorElementName] going high (upper non-critical) has deasserted. (CPU1 VR Temp)**

This message is for the use case when an implementation has detected an Upper Non-critical sensor going high has deasserted.

May also be shown as 810107011401ffff or 0x810107011401ffff

Severity

Info

Serviceable

No

Automatically notify support

No

Alert Category

Warning - Temperature

SNMP Trap ID

12

CIM Information**Prefix:** PLAT ID: 0491**User Response**

No action; information only.

- **81010701-1402ffff : Numeric sensor [NumericSensorElementName] going high (upper non-critical) has deasserted. (CPU2 VR Temp)**

This message is for the use case when an implementation has detected an Upper Non-critical sensor going high has deasserted.

May also be shown as 810107011402ffff or 0x810107011402ffff

Severity

Info

Serviceable

No

Automatically notify support

No

Alert Category

Warning - Temperature

SNMP Trap ID

12

CIM Information**Prefix:** PLAT ID: 0491**User Response**

No action; information only.

- **81010701-2d01ffff : Numeric sensor [NumericSensorElementName] going high (upper non-critical) has deasserted. (PCH Temp)**

This message is for the use case when an implementation has detected an Upper Non-critical sensor going high has deasserted.

May also be shown as 810107012d01ffff or 0x810107012d01ffff

Severity

Info

Serviceable

No

Automatically notify support

No

Alert Category

Warning - Temperature

SNMP Trap ID

12

CIM Information**Prefix:** PLAT ID: 0491

User Response

No action; information only.

- **81010901-0701ffff : Numeric sensor [NumericSensorElementName] going high (upper critical) has deasserted. (FHHL Temp)**

This message is for the use case when an implementation has detected an Upper Critical sensor going high has deasserted.

May also be shown as 810109010701ffff or 0x810109010701ffff

Severity

Info

Serviceable

No

Automatically notify support

No

Alert Category

Critical - Temperature

SNMP Trap ID

0

CIM Information

Prefix: PLAT ID: 0495

User Response

No action; information only. LowProfile Temp : Raid Temp :

- **81010901-0c01ffff : Numeric sensor [NumericSensorElementName] going high (upper critical) has deasserted. (Ambient Temp)**

This message is for the use case when an implementation has detected an Upper Critical sensor going high has deasserted.

May also be shown as 810109010c01ffff or 0x810109010c01ffff

Severity

Info

Serviceable

No

Automatically notify support

No

Alert Category

Critical - Temperature

SNMP Trap ID

0

CIM Information

Prefix: PLAT ID: 0495

User Response

No action; information only.

- **81010901-1401ffff : Numeric sensor [NumericSensorElementName] going high (upper critical) has deasserted. (CPU1 VR Temp)**

This message is for the use case when an implementation has detected an Upper Critical sensor going high has deasserted.

May also be shown as 810109011401ffff or 0x810109011401ffff

Severity

Info

Serviceable

No

Automatically notify support

No

Alert Category

Critical - Temperature

SNMP Trap ID

0

CIM Information

Prefix: PLAT ID: 0495

User Response

No action; information only.

- **81010901-1402ffff : Numeric sensor [NumericSensorElementName] going high (upper critical) has deasserted. (CPU2 VR Temp)**

This message is for the use case when an implementation has detected an Upper Critical sensor going high has deasserted.

May also be shown as 810109011402ffff or 0x810109011402ffff

Severity

Info

Serviceable

No

Automatically notify support

No

Alert Category

Critical - Temperature

SNMP Trap ID

0

CIM Information

Prefix: PLAT ID: 0495

User Response

No action; information only.

- **81010901-2d01ffff : Numeric sensor [NumericSensorElementName] going high (upper critical) has deasserted. (PCH Temp)**

This message is for the use case when an implementation has detected an Upper Critical sensor going high has deasserted.

May also be shown as 810109012d01ffff or 0x810109012d01ffff

Severity

Info

Serviceable

No

Automatically notify support

No

Alert Category

Critical - Temperature

SNMP Trap ID

0

CIM Information

Prefix: PLAT ID: 0495

User Response

No action; information only.

- **81010902-0701ffff : Numeric sensor [NumericSensorElementName] going high (upper critical) has deasserted. (SysBrd 12V)**

This message is for the use case when an implementation has detected an Upper Critical sensor going high has deasserted.

May also be shown as 810109020701ffff or 0x810109020701ffff

Severity

Info

Serviceable

No

Automatically notify support

No

Alert Category

Critical - Voltage

SNMP Trap ID

1

CIM Information

Prefix: PLAT ID: 0495

User Response

No action; information only. SysBrd 3.3V : SysBrd 5V :

- **81010b01-0701ffff : Numeric sensor [NumericSensorElementName] going high (upper non-recoverable) has deasserted. (FHHL Temp)**

This message is for the use case when an implementation has detected an Upper Non-recoverable sensor going high has deasserted.

May also be shown as 81010b010701ffff or 0x81010b010701ffff

Severity

Info

Serviceable

No

Automatically notify support

No

Alert Category

Critical - Temperature

SNMP Trap ID

0

CIM Information

Prefix: PLAT ID: 0499

User Response

No action; information only. LowProfile Temp : Raid Temp :

- **81010b01-0c01ffff : Numeric sensor [NumericSensorElementName] going high (upper non-recoverable) has deasserted. (Ambient Temp)**

This message is for the use case when an implementation has detected an Upper Non-recoverable sensor going high has deasserted.

May also be shown as 81010b010c01ffff or 0x81010b010c01ffff

Severity

Info

Serviceable

No

Automatically notify support

No

Alert Category

Critical - Temperature

SNMP Trap ID

0

CIM Information

Prefix: PLAT ID: 0499

User Response

No action; information only.

- **81010b01-1401ffff : Numeric sensor [NumericSensorElementName] going high (upper non-recoverable) has deasserted. (CPU1 VR Temp)**

This message is for the use case when an implementation has detected an Upper Non-recoverable sensor going high has deasserted.

May also be shown as 81010b011401ffff or 0x81010b011401ffff

Severity

Info

Serviceable

No

Automatically notify support

No

Alert Category

Critical - Temperature

SNMP Trap ID

0

CIM Information

Prefix: PLAT ID: 0499

User Response

No action; information only.

- **81010b01-1402ffff : Numeric sensor [NumericSensorElementName] going high (upper non-recoverable) has deasserted. (CPU2 VR Temp)**

This message is for the use case when an implementation has detected an Upper Non-recoverable sensor going high has deasserted.

May also be shown as 81010b011402ffff or 0x81010b011402ffff

Severity

Info

Serviceable

No

Automatically notify support

No

Alert Category

Critical - Temperature

SNMP Trap ID

0

CIM Information

Prefix: PLAT ID: 0499

User Response

No action; information only.

- **81010b01-2d01ffff : Numeric sensor [NumericSensorElementName] going high (upper non-recoverable) has deasserted. (PCH Temp)**

This message is for the use case when an implementation has detected an Upper Non-recoverable sensor going high has deasserted.

May also be shown as 81010b012d01ffff or 0x81010b012d01ffff

Severity

Info

Serviceable

No

Automatically notify support

No

Alert Category

Critical - Temperature

SNMP Trap ID

0

CIM Information

Prefix: PLAT ID: 0499

User Response

No action; information only.

- **81030006-2101ffff : Sensor [SensorElementName] has asserted. (Sig Verify Fail)**

This message is for the use case when an implementation has detected a Sensor has asserted.

May also be shown as 810300062101ffff or 0x810300062101ffff

Severity

Info

Serviceable

No

Automatically notify support

No

Alert Category

System - Other

SNMP Trap ID**CIM Information**

Prefix: PLAT ID: 0508

User Response

No action; information only.

- **81030012-2301ffff : Sensor [SensorElementName] has asserted. (OS RealTime Mod)**

This message is for the use case when an implementation has detected a Sensor has asserted.

May also be shown as 810300122301ffff or 0x810300122301ffff

Severity

Info

Serviceable

No

Automatically notify support

No

Alert Category

System - Other

SNMP Trap ID**CIM Information**

Prefix: PLAT ID: 0508

User Response

No action; information only.

- **81050108-0a01ffff : Sensor [SensorElementName] has indicated limit no longer exceeded. (PS 1 CS)**

This message is for the use case when an implementation has detected a Sensor limit is no longer exceeded.

May also be shown as 810501080a01ffff or 0x810501080a01ffff

Severity

Info

Serviceable

No

Automatically notify support

No

Alert Category

System - Other

SNMP Trap ID**CIM Information**

Prefix: PLAT ID: 0513

User Response

No action; information only.

- **81050108-0a02ffff : Sensor [SensorElementName] has indicated limit no longer exceeded. (PS 2 CS)**

This message is for the use case when an implementation has detected a Sensor limit is no longer exceeded.

May also be shown as 810501080a02ffff or 0x810501080a02ffff

Severity

Info

Serviceable

No

Automatically notify support

No

Alert Category

System - Other

SNMP Trap ID**CIM Information**

Prefix: PLAT ID: 0513

User Response

No action; information only.

- **8107010f-2201ffff : Sensor [SensorElementName] has deasserted the transition from normal to non-critical state. (GPT Status)**

This message is for the use case when an implementation has detected that a Sensor has deasserted a transition to non-critical from normal.

May also be shown as 8107010f2201ffff or 0x8107010f2201ffff

Severity

Info

Serviceable

No

Automatically notify support

No

Alert Category

Warning - Other

SNMP Trap ID

60

CIM Information

Prefix: PLAT ID: 0521

User Response

No action; information only. TXT ACM Module :

- **8107010f-2582ffff : Sensor [SensorElementName] has deasserted the transition from normal to non-critical state. (No PCI I/O Space)**

This message is for the use case when an implementation has detected that a Sensor has deasserted a transition to non-critical from normal.

May also be shown as 8107010f2582ffff or 0x8107010f2582ffff

Severity

Info

Serviceable

No

Automatically notify support

No

Alert Category

Warning - Other

SNMP Trap ID

60

CIM Information

Prefix: PLAT ID: 0521

User Response

No action; information only.

- **81070201-0301ffff : Sensor [SensorElementName] has transitioned to a less severe state from critical. (CPU 1 OverTemp)**

This message is for the use case when an implementation has detected a Sensor transition to less severe from critical.

May also be shown as 810702010301ffff or 0x810702010301ffff

Severity

Info

Serviceable

No

Automatically notify support

No

Alert Category

Critical - Temperature

SNMP Trap ID

0

CIM Information

Prefix: PLAT ID: 0523

User Response

No action; information only.

- **81070201-0302ffff : Sensor [SensorElementName] has transitioned to a less severe state from critical. (CPU 2 OverTemp)**

This message is for the use case when an implementation has detected a Sensor transition to less severe from critical.

May also be shown as 810702010302ffff or 0x810702010302ffff

Severity

Info

Serviceable

No

Automatically notify support

No

Alert Category

Critical - Temperature

SNMP Trap ID

0

CIM Information

Prefix: PLAT ID: 0523

User Response

No action; information only.

- **81070202-0701ffff : Sensor [SensorElementName] has transitioned to a less severe state from critical. (SysBrd Vol Fault)**

This message is for the use case when an implementation has detected a Sensor transition to less severe from critical.

May also be shown as 810702020701ffff or 0x810702020701ffff

Severity

Info

Serviceable

No

Automatically notify support

No

Alert Category

Critical - Voltage

SNMP Trap ID

1

CIM Information

Prefix: PLAT ID: 0523

User Response

No action; information only.

- **81070208-0a01ffff : Sensor [SensorElementName] has transitioned to a less severe state from critical. (PS 1 Fan Fault)**

This message is for the use case when an implementation has detected a Sensor transition to less severe from critical.

May also be shown as 810702080a01ffff or 0x810702080a01ffff

Severity

Info

Serviceable

No

Automatically notify support

No

Alert Category

Critical - Power

SNMP Trap ID

4

CIM Information

Prefix: PLAT ID: 0523

User Response

No action; information only. PS 1 OP Fault : PS 1 Therm Fault :

- **81070208-0a02ffff : Sensor [SensorElementName] has transitioned to a less severe state from critical. (PS 2 Fan Fault)**

This message is for the use case when an implementation has detected a Sensor transition to less severe from critical.

May also be shown as 810702080a02ffff or 0x810702080a02ffff

Severity

Info

Serviceable

No

Automatically notify support

No

Alert Category

Critical - Power

SNMP Trap ID

4

CIM Information

Prefix: PLAT ID: 0523

User Response

No action; information only. PS 2 OP Fault : PS 2 Therm Fault :

- **8107020f-2582ffff : Sensor [SensorElementName] has transitioned to a less severe state from critical. (No PCI I/O Space)**

This message is for the use case when an implementation has detected a Sensor transition to less severe from critical.

May also be shown as 8107020f2582ffff or 0x8107020f2582ffff

Severity

Info

Serviceable

No

Automatically notify support

No

Alert Category

Critical - Other

SNMP Trap ID

50

CIM Information

Prefix: PLAT ID: 0523

User Response

No action; information only.

- **81070214-2201ffff : Sensor [SensorElementName] has transitioned to a less severe state from critical. (TPM Lock)**

This message is for the use case when an implementation has detected a Sensor transition to less severe from critical.

May also be shown as 810702142201ffff or 0x810702142201ffff

Severity

Info

Serviceable

No

Automatically notify support

No

Alert Category

Critical - Other

SNMP Trap ID

50

CIM Information

Prefix: PLAT ID: 0523

User Response

No action; information only.

- **81070219-0701ffff : Sensor [SensorElementName] has transitioned to a less severe state from critical. (SysBrd Fault)**

This message is for the use case when an implementation has detected a Sensor transition to less severe from critical.

May also be shown as 810702190701ffff or 0x810702190701ffff

Severity

Info

Serviceable

No

Automatically notify support

No

Alert Category

Critical - Other

SNMP Trap ID

50

CIM Information**Prefix: PLAT ID:** 0523**User Response**

No action; information only.

- **8107021b-0301ffff : Sensor [SensorElementName] has transitioned to a less severe state from critical. (CPU 1 QPILinkErr)**

This message is for the use case when an implementation has detected a Sensor transition to less severe from critical.

May also be shown as 8107021b0301ffff or 0x8107021b0301ffff

Severity

Info

Serviceable

No

Automatically notify support

No

Alert Category

Critical - Other

SNMP Trap ID

50

CIM Information**Prefix: PLAT ID:** 0523**User Response**

No action; information only.

- **8107021b-0302ffff : Sensor [SensorElementName] has transitioned to a less severe state from critical. (CPU 2 QPILinkErr)**

This message is for the use case when an implementation has detected a Sensor transition to less severe from critical.

May also be shown as 8107021b0302ffff or 0x8107021b0302ffff

Severity

Info

Serviceable

No

Automatically notify support

No

Alert Category

Critical - Other

SNMP Trap ID

50

CIM Information

Prefix: PLAT ID: 0523

User Response

No action; information only.

- **81070301-0301ffff : Sensor [SensorElementName] has deasserted the transition to non-recoverable from a less severe state. (CPU 1 OverTemp)**

This message is for the use case when an implementation has detected that the Sensor transition to non-recoverable from less severe has deasserted.

May also be shown as 810703010301ffff or 0x810703010301ffff

Severity

Info

Serviceable

No

Automatically notify support

No

Alert Category

Critical - Temperature

SNMP Trap ID

0

CIM Information

Prefix: PLAT ID: 0525

User Response

No action; information only.

- **81070301-0302ffff : Sensor [SensorElementName] has deasserted the transition to non-recoverable from a less severe state. (CPU 2 OverTemp)**

This message is for the use case when an implementation has detected that the Sensor transition to non-recoverable from less severe has deasserted.

May also be shown as 810703010302ffff or 0x810703010302ffff

Severity

Info

Serviceable

No

Automatically notify support

No

Alert Category

Critical - Temperature

SNMP Trap ID

0

CIM Information**Prefix:** PLAT ID: 0525**User Response**

No action; information only.

- **81070608-0a01ffff : Sensor [SensorElementName] has deasserted the transition to non-recoverable. (PS 1 OC Fault)**

This message is for the use case when an implementation has detected that the Sensor transition to non-recoverable has deasserted.

May also be shown as 810706080a01ffff or 0x810706080a01ffff

Severity

Info

Serviceable

No

Automatically notify support

No

Alert Category

Critical - Power

SNMP Trap ID

4

CIM Information**Prefix:** PLAT ID: 0531**User Response**

No action; information only. PS 1 OV Fault : PS 1 UV Fault : PS 1 VCO Fault :

- **81070608-0a02ffff : Sensor [SensorElementName] has deasserted the transition to non-recoverable. (PS 2 OC Fault)**

This message is for the use case when an implementation has detected that the Sensor transition to non-recoverable has deasserted.

May also be shown as 810706080a02ffff or 0x810706080a02ffff

Severity

Info

Serviceable

No

Automatically notify support

No

Alert Category

Critical - Power

SNMP Trap ID

4

CIM Information**Prefix:** PLAT ID: 0531

User Response

No action; information only. PS 2 OV Fault : PS 2 UV Fault : PS 2 VCO Fault :

- **810b010a-1e81ffff : Redundancy Lost for [RedundancySetElementName] has deasserted. (Cooling Zone 1)**

This message is for the use case when Redundancy Lost has deasserted.

May also be shown as 810b010a1e81ffff or 0x810b010a1e81ffff

Severity

Info

Serviceable

No

Automatically notify support

No

Alert Category

Critical - Fan Failure

SNMP Trap ID

11

CIM Information

Prefix: PLAT ID: 0803

User Response

No action; information only.

- **810b010a-1e82ffff : Redundancy Lost for [RedundancySetElementName] has deasserted. (Cooling Zone 2)**

This message is for the use case when Redundancy Lost has deasserted.

May also be shown as 810b010a1e82ffff or 0x810b010a1e82ffff

Severity

Info

Serviceable

No

Automatically notify support

No

Alert Category

Critical - Fan Failure

SNMP Trap ID

11

CIM Information

Prefix: PLAT ID: 0803

User Response

No action; information only.

- **810b010c-2581ffff : Redundancy Lost for [RedundancySetElementName] has deasserted. (Backup Memory)**

This message is for the use case when Redundancy Lost has deasserted.

May also be shown as 810b010c2581ffff or 0x810b010c2581ffff

Severity

Info

Serviceable

No

Automatically notify support

No

Alert Category

Critical - Memory

SNMP Trap ID

41

CIM Information

Prefix: PLAT ID: 0803

User Response

No action; information only.

- **810b030c-2581ffff : Non-redundant:Sufficient Resources from Redundancy Degraded or Fully Redundant for [RedundancySetElementName] has deasserted. (Backup Memory)**

This message is for the use case when a Redundancy Set has transitioned from Non-redundant:Sufficient Resources.

May also be shown as 810b030c2581ffff or 0x810b030c2581ffff

Severity

Info

Serviceable

No

Automatically notify support

No

Alert Category

Warning - Memory

SNMP Trap ID

43

CIM Information

Prefix: PLAT ID: 0807

User Response

No action; information only.

- **810b050a-1e81ffff : Non-redundant:Insufficient Resources for [RedundancySetElementName] has deasserted. (Cooling Zone 1)**

This message is for the use case when a Redundancy Set has transitioned from Non-redundant: Insufficient Resources.

May also be shown as 810b050a1e81ffff or 0x810b050a1e81ffff

Severity

Info

Serviceable

No

Automatically notify support

No

Alert Category

Critical - Fan Failure

SNMP Trap ID

11

CIM Information

Prefix: PLAT ID: 0811

User Response

No action; information only.

- **810b050a-1e82ffff : Non-redundant:Insufficient Resources for [RedundancySetElementName] has deasserted. (Cooling Zone 2)**

This message is for the use case when a Redundancy Set has transitioned from Non-redundant: Insufficient Resources.

May also be shown as 810b050a1e82ffff or 0x810b050a1e82ffff

Severity

Info

Serviceable

No

Automatically notify support

No

Alert Category

Critical - Fan Failure

SNMP Trap ID

11

CIM Information

Prefix: PLAT ID: 0811

User Response

No action; information only.

- **810b050c-2581ffff : Non-redundant:Insufficient Resources for [RedundancySetElementName] has deasserted. (Backup Memory)**

This message is for the use case when a Redundancy Set has transitioned from Non-redundant: Insufficient Resources.

May also be shown as 810b050c2581ffff or 0x810b050c2581ffff

Severity

Info

Serviceable

No

Automatically notify support

No

Alert Category

Critical - Memory

SNMP Trap ID

41

CIM Information

Prefix: PLAT ID: 0811

User Response

No action; information only.

- **816f0007-0301ffff : [ProcessorElementName] has Recovered from IERR. (CPU 1)**

This message is for the use case when an implementation has detected a Processor Recovered - IERR Condition.

May also be shown as 816f00070301ffff or 0x816f00070301ffff

Severity

Info

Serviceable

No

Automatically notify support

No

Alert Category

Critical - CPU

SNMP Trap ID

40

CIM Information

Prefix: PLAT ID: 0043

User Response

No action; information only.

- **816f0007-0302ffff : [ProcessorElementName] has Recovered from IERR. (CPU 2)**

This message is for the use case when an implementation has detected a Processor Recovered - IERR Condition.

May also be shown as 816f00070302ffff or 0x816f00070302ffff

Severity

Info

Serviceable

No

Automatically notify support

No

Alert Category

Critical - CPU

SNMP Trap ID

40

CIM Information

Prefix: PLAT ID: 0043

User Response

No action; information only.

- **816f0008-0a01ffff : [PowerSupplyElementName] has been removed from container [PhysicalPackageElementName]. (Power Supply 1)**

This message is for the use case when an implementation has detected a Power Supply has been removed.

May also be shown as 816f00080a01ffff or 0x816f00080a01ffff

Severity

Info

Serviceable

No

Automatically notify support

No

Alert Category

System - Other

SNMP Trap ID

CIM Information

Prefix: PLAT ID: 0085

User Response

No action; information only.

- **816f0008-0a02ffff : [PowerSupplyElementName] has been removed from container [PhysicalPackageElementName]. (Power Supply 2)**

This message is for the use case when an implementation has detected a Power Supply has been removed.

May also be shown as 816f00080a02ffff or 0x816f00080a02ffff

Severity

Info

Serviceable

No

Automatically notify support

No

Alert Category

System - Other

SNMP Trap ID

CIM Information

Prefix: PLAT ID: 0085

User Response

No action; information only.

- **816f0009-1301ffff : [PowerSupplyElementName] has been turned on. (Host Power)**

This message is for the use case when an implementation has detected a Power Unit that has been Enabled.

May also be shown as 816f00091301ffff or 0x816f00091301ffff

Severity

Info

Serviceable

No

Automatically notify support

No

Alert Category

System - Power On

SNMP Trap ID

24

CIM Information

Prefix: PLAT ID: 0107

User Response

No action; information only.

- **816f000d-0400ffff : The Drive [StorageVolumeElementName] has been removed from unit [PhysicalPackageElementName]. (Drive 0)**

This message is for the use case when an implementation has detected a Drive has been Removed.

May also be shown as 816f000d0400ffff or 0x816f000d0400ffff

Severity

Error

Serviceable

Yes

Automatically notify support

No

Alert Category

Critical - Hard Disk drive

SNMP Trap ID

5

CIM Information

Prefix: PLAT ID: 0163

User Response

1. Reseat hard disk drive n.(n = hard disk drive number). Wait 1 minute or more before reinstalling the drive.
2. Make sure that the disk firmware and RAID controller and backplane firmware are at the latest level.
3. Check the SAS cable.
4. Replace the hard disk drive.

- **816f000d-0401ffff : The Drive [StorageVolumeElementName] has been removed from unit [PhysicalPackageElementName]. (Drive 1)**

This message is for the use case when an implementation has detected a Drive has been Removed.

May also be shown as 816f000d0401ffff or 0x816f000d0401ffff

Severity

Error

Serviceable

Yes

Automatically notify support

No

Alert Category

Critical - Hard Disk drive

SNMP Trap ID

5

CIM Information

Prefix: PLAT ID: 0163

User Response

1. Reseat hard disk drive n.(n = hard disk drive number). Wait 1 minute or more before reinstalling the drive.
 2. Make sure that the disk firmware and RAID controller and backplane firmware are at the latest level.
 3. Check the SAS cable.
 4. Replace the hard disk drive.
- **816f000d-0402ffff : The Drive [StorageVolumeElementName] has been removed from unit [PhysicalPackageElementName]. (Drive 2)**

This message is for the use case when an implementation has detected a Drive has been Removed.

May also be shown as 816f000d0402ffff or 0x816f000d0402ffff

Severity

Error

Serviceable

Yes

Automatically notify support

No

Alert Category

Critical - Hard Disk drive

SNMP Trap ID

5

CIM Information

Prefix: PLAT ID: 0163

User Response

1. Reseat hard disk drive n.(n = hard disk drive number). Wait 1 minute or more before reinstalling the drive.
2. Make sure that the disk firmware and RAID controller and backplane firmware are at the latest level.
3. Check the SAS cable.
4. Replace the hard disk drive.

- **816f000d-0403ffff : The Drive [StorageVolumeElementName] has been removed from unit [PhysicalPackageElementName]. (Drive 3)**

This message is for the use case when an implementation has detected a Drive has been Removed.

May also be shown as 816f000d0403ffff or 0x816f000d0403ffff

Severity

Error

Serviceable

Yes

Automatically notify support

No

Alert Category

Critical - Hard Disk drive

SNMP Trap ID

5

CIM Information

Prefix: PLAT ID: 0163

User Response

1. Reseat hard disk drive n.(n = hard disk drive number). Wait 1 minute or more before reinstalling the drive.
2. Make sure that the disk firmware and RAID controller and backplane firmware are at the latest level.
3. Check the SAS cable.
4. Replace the hard disk drive.

- **816f000d-0404ffff : The Drive [StorageVolumeElementName] has been removed from unit [PhysicalPackageElementName]. (Drive 4)**

This message is for the use case when an implementation has detected a Drive has been Removed.

May also be shown as 816f000d0404ffff or 0x816f000d0404ffff

Severity

Error

Serviceable

Yes

Automatically notify support

No

Alert Category

Critical - Hard Disk drive

SNMP Trap ID

5

CIM Information

Prefix: PLAT ID: 0163

User Response

1. Reseat hard disk drive n.(n = hard disk drive number). Wait 1 minute or more before reinstalling the drive.

2. Make sure that the disk firmware and RAID controller and backplane firmware are at the latest level.
3. Check the SAS cable.
4. Replace the hard disk drive.

- **816f000d-0405ffff : The Drive [StorageVolumeElementName] has been removed from unit [PhysicalPackageElementName]. (Drive 5)**

This message is for the use case when an implementation has detected a Drive has been Removed.

May also be shown as 816f000d0405ffff or 0x816f000d0405ffff

Severity

Error

Serviceable

Yes

Automatically notify support

No

Alert Category

Critical - Hard Disk drive

SNMP Trap ID

5

CIM Information

Prefix: PLAT ID: 0163

User Response

1. Reseat hard disk drive n.(n = hard disk drive number). Wait 1 minute or more before reinstalling the drive.
2. Make sure that the disk firmware and RAID controller and backplane firmware are at the latest level.
3. Check the SAS cable.
4. Replace the hard disk drive.

- **816f000d-0406ffff : The Drive [StorageVolumeElementName] has been removed from unit [PhysicalPackageElementName]. (Drive 6)**

This message is for the use case when an implementation has detected a Drive has been Removed.

May also be shown as 816f000d0406ffff or 0x816f000d0406ffff

Severity

Error

Serviceable

Yes

Automatically notify support

No

Alert Category

Critical - Hard Disk drive

SNMP Trap ID

5

CIM Information

Prefix: PLAT ID: 0163

User Response

1. Reseat hard disk drive n.(n = hard disk drive number). Wait 1 minute or more before reinstalling the drive.
2. Make sure that the disk firmware and RAID controller and backplane firmware are at the latest level.
3. Check the SAS cable.
4. Replace the hard disk drive.

- **816f000d-0407ffff : The Drive [StorageVolumeElementName] has been removed from unit [PhysicalPackageElementName]. (Drive 7)**

This message is for the use case when an implementation has detected a Drive has been Removed.

May also be shown as 816f000d0407ffff or 0x816f000d0407ffff

Severity

Error

Serviceable

Yes

Automatically notify support

No

Alert Category

Critical - Hard Disk drive

SNMP Trap ID

5

CIM Information

Prefix: PLAT ID: 0163

User Response

1. Reseat hard disk drive n.(n = hard disk drive number). Wait 1 minute or more before reinstalling the drive.
2. Make sure that the disk firmware and RAID controller and backplane firmware are at the latest level.
3. Check the SAS cable.
4. Replace the hard disk drive.

- **816f000f-2201ffff : The System [ComputerSystemElementName] has detected a POST Error deassertion. (ABR Status)**

This message is for the use case when an implementation has detected that Post Error has deasserted.

May also be shown as 816f000f2201ffff or 0x816f000f2201ffff

Severity

Info

Serviceable

No

Automatically notify support

No

Alert Category

Critical - Other

SNMP Trap ID

50

CIM Information

Prefix: PLAT ID: 0185

User Response

No action; information only. Firmware Error : Sys Boot Status :

- **816f0013-1701ffff : System [ComputerSystemElementName] has recovered from a diagnostic interrupt. (NMI State)**

This message is for the use case when an implementation has detected a recovery from a Front Panel NMI / Diagnostic Interrupt

May also be shown as 816f00131701ffff or 0x816f00131701ffff

Severity

Info

Serviceable

No

Automatically notify support

No

Alert Category

Critical - Other

SNMP Trap ID

50

CIM Information

Prefix: PLAT ID: 0223

User Response

No action; information only.

- **816f0021-2201ffff : Fault condition removed on slot [PhysicalConnectorElementName] on system [ComputerSystemElementName]. (No Op ROM Space)**

This message is for the use case when an implementation has detected a Fault condition in a slot has been removed.

May also be shown as 816f00212201ffff or 0x816f00212201ffff

Severity

Info

Serviceable

No

Automatically notify support

No

Alert Category

Critical - Other

SNMP Trap ID

50

CIM Information

Prefix: PLAT ID: 0331

User Response

No action; information only.

- **816f0021-2582ffff : Fault condition removed on slot [PhysicalConnectorElementName] on system [ComputerSystemElementName]. (All PCI Error)**

This message is for the use case when an implementation has detected a Fault condition in a slot has been removed.

May also be shown as 816f00212582ffff or 0x816f00212582ffff

Severity

Info

Serviceable

No

Automatically notify support

No

Alert Category

Critical - Other

SNMP Trap ID

50

CIM Information

Prefix: PLAT ID: 0331

User Response

No action; information only. One of PCI Error :

- **816f0021-3001ffff : Fault condition removed on slot [PhysicalConnectorElementName] on system [ComputerSystemElementName]. (PCI 1)**

This message is for the use case when an implementation has detected a Fault condition in a slot has been removed.

May also be shown as 816f00213001ffff or 0x816f00213001ffff

Severity

Info

Serviceable

No

Automatically notify support

No

Alert Category

Critical - Other

SNMP Trap ID

50

CIM Information

Prefix: PLAT ID: 0331

User Response

No action; information only. PCI 2 : PCI 3 :

- **816f0028-2101ffff : Sensor [SensorElementName] has returned to normal on management system [ComputerSystemElementName]. (TPM Cmd Failures)**

This message is for the use case when an implementation has detected a Sensor returned from degraded/unavailable/failure.

May also be shown as 816f00282101ffff or 0x816f00282101ffff

Severity

Info

Serviceable

No

Automatically notify support

No

Alert Category

Warning - Other

SNMP Trap ID

60

CIM Information

Prefix: PLAT ID: 0399

User Response

No action; information only.

- **816f0107-0301ffff : An Over-Temperature Condition has been removed on [ProcessorElementName]. (CPU 1)**

This message is for the use case when an implementation has detected a Over-Temperature Condition has been Removed for Processor.

May also be shown as 816f01070301ffff or 0x816f01070301ffff

Severity

Info

Serviceable

No

Automatically notify support

No

Alert Category

Critical - Temperature

SNMP Trap ID

0

CIM Information

Prefix: PLAT ID: 0037

User Response

No action; information only.

- **816f0107-0302ffff : An Over-Temperature Condition has been removed on [ProcessorElementName]. (CPU 2)**

This message is for the use case when an implementation has detected a Over-Temperature Condition has been Removed for Processor.

May also be shown as 816f01070302ffff or 0x816f01070302ffff

Severity

Info

Serviceable

No

Automatically notify support

No

Alert Category

Critical - Temperature

SNMP Trap ID

0

CIM Information

Prefix: PLAT ID: 0037

User Response

No action; information only.

- **816f0108-0a01ffff : [PowerSupplyElementName] has returned to OK status. (Power Supply 1)**

This message is for the use case when an implementation has detected a Power Supply return to normal operational status.

May also be shown as 816f01080a01ffff or 0x816f01080a01ffff

Severity

Info

Serviceable

No

Automatically notify support

No

Alert Category

Critical - Power

SNMP Trap ID

4

CIM Information

Prefix: PLAT ID: 0087

User Response

No action; information only.

- **816f0108-0a02ffff : [PowerSupplyElementName] has returned to OK status. (Power Supply 2)**

This message is for the use case when an implementation has detected a Power Supply return to normal operational status.

May also be shown as 816f01080a02ffff or 0x816f01080a02ffff

Severity

Info

Serviceable

No

Automatically notify support

No

Alert Category

Critical - Power

SNMP Trap ID

4

CIM Information

Prefix: PLAT ID: 0087

User Response

No action; information only.

- **816f010c-2001ffff : Uncorrectable error recovery detected for [PhysicalMemoryElementName] on Subsystem [MemoryElementName]. (DIMM 1)**

This message is for the use case when an implementation has detected a Memory uncorrectable error recovery.

May also be shown as 816f010c2001ffff or 0x816f010c2001ffff

Severity

Info

Serviceable

No

Automatically notify support

No

Alert Category

Critical - Memory

SNMP Trap ID

41

CIM Information

Prefix: PLAT ID: 0139

User Response

No action; information only.

- **816f010c-2002ffff : Uncorrectable error recovery detected for [PhysicalMemoryElementName] on Subsystem [MemoryElementName]. (DIMM 2)**

This message is for the use case when an implementation has detected a Memory uncorrectable error recovery.

May also be shown as 816f010c2002ffff or 0x816f010c2002ffff

Severity

Info

Serviceable

No

Automatically notify support

No

Alert Category

Critical - Memory

SNMP Trap ID

41

CIM Information**Prefix:** PLAT ID: 0139**User Response**

No action; information only.

- **816f010c-2003ffff : Uncorrectable error recovery detected for [PhysicalMemoryElementName] on Subsystem [MemoryElementName]. (DIMM 3)**

This message is for the use case when an implementation has detected a Memory uncorrectable error recovery.

May also be shown as 816f010c2003ffff or 0x816f010c2003ffff

Severity

Info

Serviceable

No

Automatically notify support

No

Alert Category

Critical - Memory

SNMP Trap ID

41

CIM Information**Prefix:** PLAT ID: 0139**User Response**

No action; information only.

- **816f010c-2004ffff : Uncorrectable error recovery detected for [PhysicalMemoryElementName] on Subsystem [MemoryElementName]. (DIMM 4)**

This message is for the use case when an implementation has detected a Memory uncorrectable error recovery.

May also be shown as 816f010c2004ffff or 0x816f010c2004ffff

Severity

Info

Serviceable

No

Automatically notify support

No

Alert Category

Critical - Memory

SNMP Trap ID

41

CIM Information**Prefix:** PLAT ID: 0139

User Response

No action; information only.

- **816f010c-2005ffff : Uncorrectable error recovery detected for [PhysicalMemoryElementName] on Subsystem [MemoryElementName]. (DIMM 5)**

This message is for the use case when an implementation has detected a Memory uncorrectable error recovery.

May also be shown as 816f010c2005ffff or 0x816f010c2005ffff

Severity

Info

Serviceable

No

Automatically notify support

No

Alert Category

Critical - Memory

SNMP Trap ID

41

CIM Information

Prefix: PLAT ID: 0139

User Response

No action; information only.

- **816f010c-2006ffff : Uncorrectable error recovery detected for [PhysicalMemoryElementName] on Subsystem [MemoryElementName]. (DIMM 6)**

This message is for the use case when an implementation has detected a Memory uncorrectable error recovery.

May also be shown as 816f010c2006ffff or 0x816f010c2006ffff

Severity

Info

Serviceable

No

Automatically notify support

No

Alert Category

Critical - Memory

SNMP Trap ID

41

CIM Information

Prefix: PLAT ID: 0139

User Response

No action; information only.

- **816f010c-2007ffff : Uncorrectable error recovery detected for [PhysicalMemoryElementName] on Subsystem [MemoryElementName]. (DIMM 7)**

This message is for the use case when an implementation has detected a Memory uncorrectable error recovery.

May also be shown as 816f010c2007ffff or 0x816f010c2007ffff

Severity

Info

Serviceable

No

Automatically notify support

No

Alert Category

Critical - Memory

SNMP Trap ID

41

CIM Information

Prefix: PLAT ID: 0139

User Response

No action; information only.

- **816f010c-2008ffff : Uncorrectable error recovery detected for [PhysicalMemoryElementName] on Subsystem [MemoryElementName]. (DIMM 8)**

This message is for the use case when an implementation has detected a Memory uncorrectable error recovery.

May also be shown as 816f010c2008ffff or 0x816f010c2008ffff

Severity

Info

Serviceable

No

Automatically notify support

No

Alert Category

Critical - Memory

SNMP Trap ID

41

CIM Information

Prefix: PLAT ID: 0139

User Response

No action; information only.

- **816f010c-2009ffff : Uncorrectable error recovery detected for [PhysicalMemoryElementName] on Subsystem [MemoryElementName]. (DIMM 9)**

This message is for the use case when an implementation has detected a Memory uncorrectable error recovery.

May also be shown as 816f010c2009ffff or 0x816f010c2009ffff

Severity

Info

Serviceable

No

Automatically notify support

No

Alert Category

Critical - Memory

SNMP Trap ID

41

CIM Information**Prefix: PLAT ID:** 0139**User Response**

No action; information only.

- **816f010c-200afff : Uncorrectable error recovery detected for [PhysicalMemoryElementName] on Subsystem [MemoryElementName]. (DIMM 10)**

This message is for the use case when an implementation has detected a Memory uncorrectable error recovery.

May also be shown as 816f010c200afff or 0x816f010c200afff

Severity

Info

Serviceable

No

Automatically notify support

No

Alert Category

Critical - Memory

SNMP Trap ID

41

CIM Information**Prefix: PLAT ID:** 0139**User Response**

No action; information only.

- **816f010c-200bfff : Uncorrectable error recovery detected for [PhysicalMemoryElementName] on Subsystem [MemoryElementName]. (DIMM 11)**

This message is for the use case when an implementation has detected a Memory uncorrectable error recovery.

May also be shown as 816f010c200bfff or 0x816f010c200bfff

Severity

Info

Serviceable

No

Automatically notify support

No

Alert Category

Critical - Memory

SNMP Trap ID

41

CIM Information

Prefix: PLAT ID: 0139

User Response

No action; information only.

- **816f010c-200cffff : Uncorrectable error recovery detected for [PhysicalMemoryElementName] on Subsystem [MemoryElementName]. (DIMM 12)**

This message is for the use case when an implementation has detected a Memory uncorrectable error recovery.

May also be shown as 816f010c200cffff or 0x816f010c200cffff

Severity

Info

Serviceable

No

Automatically notify support

No

Alert Category

Critical - Memory

SNMP Trap ID

41

CIM Information

Prefix: PLAT ID: 0139

User Response

No action; information only.

- **816f010c-2581ffff : Uncorrectable error recovery detected for [PhysicalMemoryElementName] on Subsystem [MemoryElementName]. (All DIMMS)**

This message is for the use case when an implementation has detected a Memory uncorrectable error recovery.

May also be shown as 816f010c2581ffff or 0x816f010c2581ffff

Severity

Info

Serviceable

No

Automatically notify support

No

Alert Category

Critical - Memory

SNMP Trap ID

41

CIM Information

Prefix: PLAT ID: 0139

User Response

No action; information only. One of the DIMMs :

- **816f010d-0400ffff : The Drive [StorageVolumeElementName] has been enabled. (Drive 0)**

This message is for the use case when an implementation has detected a Drive was Enabled.

May also be shown as 816f010d0400ffff or 0x816f010d0400ffff

Severity

Info

Serviceable

No

Automatically notify support

No

Alert Category

Critical - Hard Disk drive

SNMP Trap ID

5

CIM Information

Prefix: PLAT ID: 0167

User Response

No action; information only.

- **816f010d-0401ffff : The Drive [StorageVolumeElementName] has been enabled. (Drive 1)**

This message is for the use case when an implementation has detected a Drive was Enabled.

May also be shown as 816f010d0401ffff or 0x816f010d0401ffff

Severity

Info

Serviceable

No

Automatically notify support

No

Alert Category

Critical - Hard Disk drive

SNMP Trap ID

5

CIM Information

Prefix: PLAT ID: 0167

User Response

No action; information only.

- **816f010d-0402ffff : The Drive [StorageVolumeElementName] has been enabled. (Drive 2)**

This message is for the use case when an implementation has detected a Drive was Enabled.
May also be shown as 816f010d0402ffff or 0x816f010d0402ffff

Severity
Info

Serviceable
No

Automatically notify support
No

Alert Category
Critical - Hard Disk drive

SNMP Trap ID
5

CIM Information
Prefix: PLAT ID: 0167

User Response
No action; information only.

- **816f010d-0403ffff : The Drive [StorageVolumeElementName] has been enabled. (Drive 3)**

This message is for the use case when an implementation has detected a Drive was Enabled.
May also be shown as 816f010d0403ffff or 0x816f010d0403ffff

Severity
Info

Serviceable
No

Automatically notify support
No

Alert Category
Critical - Hard Disk drive

SNMP Trap ID
5

CIM Information
Prefix: PLAT ID: 0167

User Response
No action; information only.

- **816f010d-0404ffff : The Drive [StorageVolumeElementName] has been enabled. (Drive 4)**

This message is for the use case when an implementation has detected a Drive was Enabled.
May also be shown as 816f010d0404ffff or 0x816f010d0404ffff

Severity
Info

Serviceable
No

Automatically notify support

No

Alert Category

Critical - Hard Disk drive

SNMP Trap ID

5

CIM Information

Prefix: PLAT ID: 0167

User Response

No action; information only.

- **816f010d-0405ffff : The Drive [StorageVolumeElementName] has been enabled. (Drive 5)**

This message is for the use case when an implementation has detected a Drive was Enabled.

May also be shown as 816f010d0405ffff or 0x816f010d0405ffff

Severity

Info

Serviceable

No

Automatically notify support

No

Alert Category

Critical - Hard Disk drive

SNMP Trap ID

5

CIM Information

Prefix: PLAT ID: 0167

User Response

No action; information only.

- **816f010d-0406ffff : The Drive [StorageVolumeElementName] has been enabled. (Drive 6)**

This message is for the use case when an implementation has detected a Drive was Enabled.

May also be shown as 816f010d0406ffff or 0x816f010d0406ffff

Severity

Info

Serviceable

No

Automatically notify support

No

Alert Category

Critical - Hard Disk drive

SNMP Trap ID

5

CIM Information

Prefix: PLAT ID: 0167

User Response

No action; information only.

- **816f010d-0407ffff : The Drive [StorageVolumeElementName] has been enabled. (Drive 7)**

This message is for the use case when an implementation has detected a Drive was Enabled.

May also be shown as 816f010d0407ffff or 0x816f010d0407ffff

Severity

Info

Serviceable

No

Automatically notify support

No

Alert Category

Critical - Hard Disk drive

SNMP Trap ID

5

CIM Information

Prefix: PLAT ID: 0167

User Response

No action; information only.

- **816f010f-2201ffff : The System [ComputerSystemElementName] has recovered from a firmware hang. (Firmware Error)**

This message is for the use case when an implementation has recovered from a System Firmware Hang.

May also be shown as 816f010f2201ffff or 0x816f010f2201ffff

Severity

Info

Serviceable

No

Automatically notify support

No

Alert Category

Critical - Other

SNMP Trap ID

50

CIM Information

Prefix: PLAT ID: 0187

User Response

No action; information only.

- **816f0113-0301ffff : System [ComputerSystemElementName] has recovered from a bus timeout. (CPU 1 PECl)**

This message is for the use case when an implementation has detected that a system has recovered from a Bus Timeout.

May also be shown as 816f01130301ffff or 0x816f01130301ffff

Severity

Info

Serviceable

No

Automatically notify support

No

Alert Category

Critical - Other

SNMP Trap ID

50

CIM Information

Prefix: PLAT ID: 0225

User Response

1. (Trained technician only) Replace microprocessor n (see Removing a microprocessor and heat sink and Replacing a microprocessor and heat sink).
 2. If the problem persists and there is no other CPU with the same error indication, replace the system board.
 3. (Trained technician only) Replace the system board (see Removing the system board and Replacing the system board). (n = microprocessor number)
- **816f0113-0302ffff : System [ComputerSystemElementName] has recovered from a bus timeout. (CPU 2 PECl)**

This message is for the use case when an implementation has detected that a system has recovered from a Bus Timeout.

May also be shown as 816f01130302ffff or 0x816f01130302ffff

Severity

Info

Serviceable

No

Automatically notify support

No

Alert Category

Critical - Other

SNMP Trap ID

50

CIM Information

Prefix: PLAT ID: 0225

User Response

1. (Trained technician only) Replace microprocessor n (see Removing a microprocessor and heat sink and Replacing a microprocessor and heat sink).
2. If the problem persists and there is no other CPU with the same error indication, replace the system board.

3. (Trained technician only) Replace the system board (see Removing the system board and Replacing the system board). (n = microprocessor number)

- **816f011b-0701ffff : The connector [PhysicalConnectorElementName] configuration error has been repaired. (Front USB)**

This message is for the use case when an implementation has detected an Interconnect Configuration was Repaired.

May also be shown as 816f011b0701ffff or 0x816f011b0701ffff

Severity

Info

Serviceable

No

Automatically notify support

No

Alert Category

Critical - Other

SNMP Trap ID

50

CIM Information

Prefix: PLAT ID: 0267

User Response

No action; information only. Front Video :

- **816f0125-0b01ffff : [ManagedElementName] detected as present. (PCI Riser 1)**

This message is for the use case when an implementation has detected a Managed Element is now Present.

May also be shown as 816f01250b01ffff or 0x816f01250b01ffff

Severity

Info

Serviceable

No

Automatically notify support

No

Alert Category

System - Other

SNMP Trap ID

CIM Information

Prefix: PLAT ID: 0390

User Response

No action; information only.

- **816f0125-0b02ffff : [ManagedElementName] detected as present. (PCI Riser 2)**

This message is for the use case when an implementation has detected a Managed Element is now Present.

May also be shown as 816f01250b02ffff or 0x816f01250b02ffff

Severity

Info

Serviceable

No

Automatically notify support

No

Alert Category

System - Other

SNMP Trap ID

CIM Information

Prefix: PLAT ID: 0390

User Response

No action; information only.

- **816f0125-0c01ffff : [ManagedElementName] detected as present. (Front Panel)**

This message is for the use case when an implementation has detected a Managed Element is now Present.

May also be shown as 816f01250c01ffff or 0x816f01250c01ffff

Severity

Info

Serviceable

No

Automatically notify support

No

Alert Category

System - Other

SNMP Trap ID

CIM Information

Prefix: PLAT ID: 0390

User Response

No action; information only.

- **816f0207-0301ffff : [ProcessorElementName] has Recovered from FRB1/BIST condition. (CPU 1)**

This message is for the use case when an implementation has detected a Processor Recovered - FRB1/BIST condition.

May also be shown as 816f02070301ffff or 0x816f02070301ffff

Severity

Info

Serviceable

No

Automatically notify support

No

Alert Category

Critical - CPU

SNMP Trap ID

40

CIM Information

Prefix: PLAT ID: 0045

User Response

No action; information only.

- **816f0207-0302ffff : [ProcessorElementName] has Recovered from FRB1/BIST condition. (CPU 2)**

This message is for the use case when an implementation has detected a Processor Recovered - FRB1/BIST condition.

May also be shown as 816f02070302ffff or 0x816f02070302ffff

Severity

Info

Serviceable

No

Automatically notify support

No

Alert Category

Critical - CPU

SNMP Trap ID

40

CIM Information

Prefix: PLAT ID: 0045

User Response

No action; information only.

- **816f0207-2584ffff : [ProcessorElementName] has Recovered from FRB1/BIST condition. (All CPUs)**

This message is for the use case when an implementation has detected a Processor Recovered - FRB1/BIST condition.

May also be shown as 816f02072584ffff or 0x816f02072584ffff

Severity

Info

Serviceable

No

Automatically notify support

No

Alert Category

Critical - CPU

SNMP Trap ID

40

CIM Information

Prefix: PLAT ID: 0045

User Response

No action; information only. One of The CPUs :

- **816f020d-0400ffff : Failure no longer Predicted on drive [StorageVolumeElementName] for array [ComputerSystemElementName]. (Drive 0)**

This message is for the use case when an implementation has detected an Array Failure is no longer Predicted.

May also be shown as 816f020d0400ffff or 0x816f020d0400ffff

Severity

Info

Serviceable

No

Automatically notify support

No

Alert Category

System - Predicted Failure

SNMP Trap ID

27

CIM Information

Prefix: PLAT ID: 0169

User Response

No action; information only.

- **816f020d-0401ffff : Failure no longer Predicted on drive [StorageVolumeElementName] for array [ComputerSystemElementName]. (Drive 1)**

This message is for the use case when an implementation has detected an Array Failure is no longer Predicted.

May also be shown as 816f020d0401ffff or 0x816f020d0401ffff

Severity

Info

Serviceable

No

Automatically notify support

No

Alert Category

System - Predicted Failure

SNMP Trap ID

27

CIM Information

Prefix: PLAT ID: 0169

User Response

No action; information only.

- **816f020d-0402ffff : Failure no longer Predicted on drive [StorageVolumeElementName] for array [ComputerSystemElementName]. (Drive 2)**

This message is for the use case when an implementation has detected an Array Failure is no longer Predicted.

May also be shown as 816f020d0402ffff or 0x816f020d0402ffff

Severity

Info

Serviceable

No

Automatically notify support

No

Alert Category

System - Predicted Failure

SNMP Trap ID

27

CIM Information

Prefix: PLAT ID: 0169

User Response

No action; information only.

- **816f020d-0403ffff : Failure no longer Predicted on drive [StorageVolumeElementName] for array [ComputerSystemElementName]. (Drive 3)**

This message is for the use case when an implementation has detected an Array Failure is no longer Predicted.

May also be shown as 816f020d0403ffff or 0x816f020d0403ffff

Severity

Info

Serviceable

No

Automatically notify support

No

Alert Category

System - Predicted Failure

SNMP Trap ID

27

CIM Information

Prefix: PLAT ID: 0169

User Response

No action; information only.

- **816f020d-0404ffff : Failure no longer Predicted on drive [StorageVolumeElementName] for array [ComputerSystemElementName]. (Drive 4)**

This message is for the use case when an implementation has detected an Array Failure is no longer Predicted.

May also be shown as 816f020d0404ffff or 0x816f020d0404ffff

Severity

Info

Serviceable

No

Automatically notify support

No

Alert Category

System - Predicted Failure

SNMP Trap ID

27

CIM Information

Prefix: PLAT ID: 0169

User Response

No action; information only.

- **816f020d-0405ffff : Failure no longer Predicted on drive [StorageVolumeElementName] for array [ComputerSystemElementName]. (Drive 5)**

This message is for the use case when an implementation has detected an Array Failure is no longer Predicted.

May also be shown as 816f020d0405ffff or 0x816f020d0405ffff

Severity

Info

Serviceable

No

Automatically notify support

No

Alert Category

System - Predicted Failure

SNMP Trap ID

27

CIM Information

Prefix: PLAT ID: 0169

User Response

No action; information only.

- **816f020d-0406ffff : Failure no longer Predicted on drive [StorageVolumeElementName] for array [ComputerSystemElementName]. (Drive 6)**

This message is for the use case when an implementation has detected an Array Failure is no longer Predicted.

May also be shown as 816f020d0406ffff or 0x816f020d0406ffff

Severity

Info

Serviceable

No

Automatically notify support

No

Alert Category

System - Predicted Failure

SNMP Trap ID

27

CIM Information

Prefix: PLAT ID: 0169

User Response

No action; information only.

- **816f020d-0407ffff : Failure no longer Predicted on drive [StorageVolumeElementName] for array [ComputerSystemElementName]. (Drive 7)**

This message is for the use case when an implementation has detected an Array Failure is no longer Predicted.

May also be shown as 816f020d0407ffff or 0x816f020d0407ffff

Severity

Info

Serviceable

No

Automatically notify support

No

Alert Category

System - Predicted Failure

SNMP Trap ID

27

CIM Information

Prefix: PLAT ID: 0169

User Response

No action; information only.

- **816f0308-0a01ffff : [PowerSupplyElementName] has returned to a Normal Input State. (Power Supply 1)**

This message is for the use case when an implementation has detected a Power Supply that has input that has returned to normal.

May also be shown as 816f03080a01ffff or 0x816f03080a01ffff

Severity

Info

Serviceable

No

Automatically notify support

No

Alert Category

System - Other

SNMP Trap ID

CIM Information

Prefix: PLAT ID: 0099

User Response

No action; information only.

- **816f0308-0a02ffff : [PowerSupplyElementName] has returned to a Normal Input State. (Power Supply 2)**

This message is for the use case when an implementation has detected a Power Supply that has input that has returned to normal.

May also be shown as 816f03080a02ffff or 0x816f03080a02ffff

Severity

Info

Serviceable

No

Automatically notify support

No

Alert Category

System - Other

SNMP Trap ID

CIM Information

Prefix: PLAT ID: 0099

User Response

No action; information only.

- **816f030c-2001ffff : Scrub Failure for [PhysicalMemoryElementName] on Subsystem [MemoryElementName]has recovered. (DIMM 1)**

This message is for the use case when an implementation has detected a Memory Scrub failure recovery.

May also be shown as 816f030c2001ffff or 0x816f030c2001ffff

Severity

Info

Serviceable

No

Automatically notify support

No

Alert Category

Critical - Memory

SNMP Trap ID

41

CIM Information

Prefix: PLAT ID: 0137

User Response

No action; information only.

- **816f030c-2002ffff : Scrub Failure for [PhysicalMemoryElementName] on Subsystem [MemoryElementName]has recovered. (DIMM 2)**

This message is for the use case when an implementation has detected a Memory Scrub failure recovery.

May also be shown as 816f030c2002ffff or 0x816f030c2002ffff

Severity

Info

Serviceable

No

Automatically notify support

No

Alert Category

Critical - Memory

SNMP Trap ID

41

CIM Information

Prefix: PLAT ID: 0137

User Response

No action; information only.

- **816f030c-2003ffff : Scrub Failure for [PhysicalMemoryElementName] on Subsystem [MemoryElementName]has recovered. (DIMM 3)**

This message is for the use case when an implementation has detected a Memory Scrub failure recovery.

May also be shown as 816f030c2003ffff or 0x816f030c2003ffff

Severity

Info

Serviceable

No

Automatically notify support

No

Alert Category

Critical - Memory

SNMP Trap ID

41

CIM Information

Prefix: PLAT ID: 0137

User Response

No action; information only.

- **816f030c-2004ffff : Scrub Failure for [PhysicalMemoryElementName] on Subsystem [MemoryElementName]has recovered. (DIMM 4)**

This message is for the use case when an implementation has detected a Memory Scrub failure recovery.

May also be shown as 816f030c2004ffff or 0x816f030c2004ffff

Severity

Info

Serviceable

No

Automatically notify support

No

Alert Category

Critical - Memory

SNMP Trap ID

41

CIM Information

Prefix: PLAT ID: 0137

User Response

No action; information only.

- **816f030c-2005ffff : Scrub Failure for [PhysicalMemoryElementName] on Subsystem [MemoryElementName]has recovered. (DIMM 5)**

This message is for the use case when an implementation has detected a Memory Scrub failure recovery.

May also be shown as 816f030c2005ffff or 0x816f030c2005ffff

Severity

Info

Serviceable

No

Automatically notify support

No

Alert Category

Critical - Memory

SNMP Trap ID

41

CIM Information

Prefix: PLAT ID: 0137

User Response

No action; information only.

- **816f030c-2006ffff : Scrub Failure for [PhysicalMemoryElementName] on Subsystem [MemoryElementName]has recovered. (DIMM 6)**

This message is for the use case when an implementation has detected a Memory Scrub failure recovery.

May also be shown as 816f030c2006ffff or 0x816f030c2006ffff

Severity

Info

Serviceable

No

Automatically notify support

No

Alert Category

Critical - Memory

SNMP Trap ID

41

CIM Information

Prefix: PLAT ID: 0137

User Response

No action; information only.

- **816f030c-2007ffff : Scrub Failure for [PhysicalMemoryElementName] on Subsystem [MemoryElementName]has recovered. (DIMM 7)**

This message is for the use case when an implementation has detected a Memory Scrub failure recovery.

May also be shown as 816f030c2007ffff or 0x816f030c2007ffff

Severity

Info

Serviceable

No

Automatically notify support

No

Alert Category

Critical - Memory

SNMP Trap ID

41

CIM Information

Prefix: PLAT ID: 0137

User Response

No action; information only.

- **816f030c-2008ffff : Scrub Failure for [PhysicalMemoryElementName] on Subsystem [MemoryElementName]has recovered. (DIMM 8)**

This message is for the use case when an implementation has detected a Memory Scrub failure recovery.

May also be shown as 816f030c2008ffff or 0x816f030c2008ffff

Severity

Info

Serviceable

No

Automatically notify support

No

Alert Category

Critical - Memory

SNMP Trap ID

41

CIM Information

Prefix: PLAT ID: 0137

User Response

No action; information only.

- **816f030c-2009ffff : Scrub Failure for [PhysicalMemoryElementName] on Subsystem [MemoryElementName]has recovered. (DIMM 9)**

This message is for the use case when an implementation has detected a Memory Scrub failure recovery.

May also be shown as 816f030c2009ffff or 0x816f030c2009ffff

Severity

Info

Serviceable

No

Automatically notify support

No

Alert Category

Critical - Memory

SNMP Trap ID

41

CIM Information

Prefix: PLAT ID: 0137

User Response

No action; information only.

- **816f030c-200affff : Scrub Failure for [PhysicalMemoryElementName] on Subsystem [MemoryElementName]has recovered. (DIMM 10)**

This message is for the use case when an implementation has detected a Memory Scrub failure recovery.

May also be shown as 816f030c200affff or 0x816f030c200affff

Severity

Info

Serviceable

No

Automatically notify support

No

Alert Category

Critical - Memory

SNMP Trap ID

41

CIM Information

Prefix: PLAT ID: 0137

User Response

No action; information only.

- **816f030c-200bffff : Scrub Failure for [PhysicalMemoryElementName] on Subsystem [MemoryElementName]has recovered. (DIMM 11)**

This message is for the use case when an implementation has detected a Memory Scrub failure recovery.
May also be shown as 816f030c200bffff or 0x816f030c200bffff

Severity

Info

Serviceable

No

Automatically notify support

No

Alert Category

Critical - Memory

SNMP Trap ID

41

CIM Information

Prefix: PLAT ID: 0137

User Response

No action; information only.

- **816f030c-200cffff : Scrub Failure for [PhysicalMemoryElementName] on Subsystem [MemoryElementName]has recovered. (DIMM 12)**

This message is for the use case when an implementation has detected a Memory Scrub failure recovery.
May also be shown as 816f030c200cffff or 0x816f030c200cffff

Severity

Info

Serviceable

No

Automatically notify support

No

Alert Category

Critical - Memory

SNMP Trap ID

41

CIM Information

Prefix: PLAT ID: 0137

User Response

No action; information only.

- **816f030c-2581ffff : Scrub Failure for [PhysicalMemoryElementName] on Subsystem [MemoryElementName]has recovered. (All DIMMS)**

This message is for the use case when an implementation has detected a Memory Scrub failure recovery.
May also be shown as 816f030c2581ffff or 0x816f030c2581ffff

Severity

Info

Serviceable

No

Automatically notify support

No

Alert Category

Critical - Memory

SNMP Trap ID

41

CIM Information

Prefix: PLAT ID: 0137

User Response

No action; information only. One of the DIMMs :

- **816f0313-1701ffff : System [ComputerSystemElementName] has recovered from an NMI. (NMI State)**

This message is for the use case when an implementation has detected a Software NMI has been Recovered from.

May also be shown as 816f03131701ffff or 0x816f03131701ffff

Severity

Info

Serviceable

No

Automatically notify support

No

Alert Category

Critical - Other

SNMP Trap ID

50

CIM Information

Prefix: PLAT ID: 0230

User Response

No action; information only.

- **816f040c-2001ffff : [PhysicalMemoryElementName] Enabled on Subsystem [MemoryElementName]. (DIMM 1)**

This message is for the use case when an implementation has detected that Memory has been Enabled.

May also be shown as 816f040c2001ffff or 0x816f040c2001ffff

Severity

Info

Serviceable

No

Automatically notify support

No

Alert Category

System - Other

SNMP Trap ID

CIM Information

Prefix: PLAT ID: 0130

User Response

No action; information only.

- **816f040c-2002ffff : [PhysicalMemoryElementName] Enabled on Subsystem [MemoryElementName]. (DIMM 2)**

This message is for the use case when an implementation has detected that Memory has been Enabled.

May also be shown as 816f040c2002ffff or 0x816f040c2002ffff

Severity

Info

Serviceable

No

Automatically notify support

No

Alert Category

System - Other

SNMP Trap ID

CIM Information

Prefix: PLAT ID: 0130

User Response

No action; information only.

- **816f040c-2003ffff : [PhysicalMemoryElementName] Enabled on Subsystem [MemoryElementName]. (DIMM 3)**

This message is for the use case when an implementation has detected that Memory has been Enabled.

May also be shown as 816f040c2003ffff or 0x816f040c2003ffff

Severity

Info

Serviceable

No

Automatically notify support

No

Alert Category

System - Other

SNMP Trap ID

CIM Information

Prefix: PLAT ID: 0130

User Response

No action; information only.

- **816f040c-2004ffff : [PhysicalMemoryElementName] Enabled on Subsystem [MemoryElementName]. (DIMM 4)**

This message is for the use case when an implementation has detected that Memory has been Enabled.

May also be shown as 816f040c2004ffff or 0x816f040c2004ffff

Severity

Info

Serviceable

No

Automatically notify support

No

Alert Category

System - Other

SNMP Trap ID

CIM Information

Prefix: PLAT ID: 0130

User Response

No action; information only.

- **816f040c-2005ffff : [PhysicalMemoryElementName] Enabled on Subsystem [MemoryElementName]. (DIMM 5)**

This message is for the use case when an implementation has detected that Memory has been Enabled.

May also be shown as 816f040c2005ffff or 0x816f040c2005ffff

Severity

Info

Serviceable

No

Automatically notify support

No

Alert Category

System - Other

SNMP Trap ID

CIM Information

Prefix: PLAT ID: 0130

User Response

No action; information only.

- **816f040c-2006ffff : [PhysicalMemoryElementName] Enabled on Subsystem [MemoryElementName]. (DIMM 6)**

This message is for the use case when an implementation has detected that Memory has been Enabled.

May also be shown as 816f040c2006ffff or 0x816f040c2006ffff

Severity

Info

Serviceable

No

Automatically notify support

No

Alert Category

System - Other

SNMP Trap ID

CIM Information

Prefix: PLAT ID: 0130

User Response

No action; information only.

- **816f040c-2007ffff : [PhysicalMemoryElementName] Enabled on Subsystem [MemoryElementName]. (DIMM 7)**

This message is for the use case when an implementation has detected that Memory has been Enabled.

May also be shown as 816f040c2007ffff or 0x816f040c2007ffff

Severity

Info

Serviceable

No

Automatically notify support

No

Alert Category

System - Other

SNMP Trap ID

CIM Information

Prefix: PLAT ID: 0130

User Response

No action; information only.

- **816f040c-2008ffff : [PhysicalMemoryElementName] Enabled on Subsystem [MemoryElementName]. (DIMM 8)**

This message is for the use case when an implementation has detected that Memory has been Enabled.

May also be shown as 816f040c2008ffff or 0x816f040c2008ffff

Severity

Info

Serviceable

No

Automatically notify support

No

Alert Category

System - Other

SNMP Trap ID

CIM Information

Prefix: PLAT ID: 0130

User Response

No action; information only.

- **816f040c-2009ffff : [PhysicalMemoryElementName] Enabled on Subsystem [MemoryElementName]. (DIMM 9)**

This message is for the use case when an implementation has detected that Memory has been Enabled.

May also be shown as 816f040c2009ffff or 0x816f040c2009ffff

Severity

Info

Serviceable

No

Automatically notify support

No

Alert Category

System - Other

SNMP Trap ID

CIM Information

Prefix: PLAT ID: 0130

User Response

No action; information only.

- **816f040c-200affff : [PhysicalMemoryElementName] Enabled on Subsystem [MemoryElementName]. (DIMM 10)**

This message is for the use case when an implementation has detected that Memory has been Enabled.

May also be shown as 816f040c200affff or 0x816f040c200affff

Severity

Info

Serviceable

No

Automatically notify support

No

Alert Category

System - Other

SNMP Trap ID

CIM Information

Prefix: PLAT ID: 0130

User Response

No action; information only.

- **816f040c-200bffff : [PhysicalMemoryElementName] Enabled on Subsystem [MemoryElementName]. (DIMM 11)**

This message is for the use case when an implementation has detected that Memory has been Enabled.

May also be shown as 816f040c200bffff or 0x816f040c200bffff

Severity

Info

Serviceable

No

Automatically notify support

No

Alert Category

System - Other

SNMP Trap ID

CIM Information

Prefix: PLAT ID: 0130

User Response

No action; information only.

- **816f040c-200cffff : [PhysicalMemoryElementName] Enabled on Subsystem [MemoryElementName]. (DIMM 12)**

This message is for the use case when an implementation has detected that Memory has been Enabled.

May also be shown as 816f040c200cffff or 0x816f040c200cffff

Severity

Info

Serviceable

No

Automatically notify support

No

Alert Category

System - Other

SNMP Trap ID

CIM Information

Prefix: PLAT ID: 0130

User Response

No action; information only.

- **816f040c-2581ffff : [PhysicalMemoryElementName] Enabled on Subsystem [MemoryElementName]. (All DIMMS)**

This message is for the use case when an implementation has detected that Memory has been Enabled.

May also be shown as 816f040c2581ffff or 0x816f040c2581ffff

Severity

Info

Serviceable

No

Automatically notify support

No

Alert Category

System - Other

SNMP Trap ID**CIM Information**

Prefix: PLAT ID: 0130

User Response

No action; information only. One of the DIMMs :

- **816f0413-2582ffff : A PCI PERR recovery has occurred on system [ComputerSystemElementName]. (PCIs)**

This message is for the use case when an implementation has detected a PCI PERR recovered.

May also be shown as 816f04132582ffff or 0x816f04132582ffff

Severity

Info

Serviceable

No

Automatically notify support

No

Alert Category

Critical - Other

SNMP Trap ID

50

CIM Information

Prefix: PLAT ID: 0233

User Response

No action; information only.

- **816f0507-0301ffff : [ProcessorElementName] has Recovered from a Configuration Mismatch. (CPU 1)**

This message is for the use case when an implementation has Recovered from a Processor Configuration Mismatch.

May also be shown as 816f05070301ffff or 0x816f05070301ffff

Severity

Info

Serviceable

No

Automatically notify support

No

Alert Category

Critical - CPU

SNMP Trap ID

40

CIM Information

Prefix: PLAT ID: 0063

User Response

No action; information only.

- **816f0507-0302ffff : [ProcessorElementName] has Recovered from a Configuration Mismatch. (CPU 2)**

This message is for the use case when an implementation has Recovered from a Processor Configuration Mismatch.

May also be shown as 816f05070302ffff or 0x816f05070302ffff

Severity

Info

Serviceable

No

Automatically notify support

No

Alert Category

Critical - CPU

SNMP Trap ID

40

CIM Information

Prefix: PLAT ID: 0063

User Response

No action; information only.

- **816f0507-2584ffff : [ProcessorElementName] has Recovered from a Configuration Mismatch. (All CPUs)**

This message is for the use case when an implementation has Recovered from a Processor Configuration Mismatch.

May also be shown as 816f05072584ffff or 0x816f05072584ffff

Severity

Info

Serviceable

No

Automatically notify support

No

Alert Category

Critical - CPU

SNMP Trap ID

40

CIM Information

Prefix: PLAT ID: 0063

User Response

No action; information only. One of The CPUs :

- **816f050c-2001ffff : Memory Logging Limit Removed for [PhysicalMemoryElementName] on Subsystem [MemoryElementName]. (DIMM 1)**

This message is for the use case when an implementation has detected that the Memory Logging Limit has been Removed.

May also be shown as 816f050c2001ffff or 0x816f050c2001ffff

Severity

Info

Serviceable

No

Automatically notify support

No

Alert Category

Warning - Memory

SNMP Trap ID

43

CIM Information

Prefix: PLAT ID: 0145

User Response

No action; information only.

- **816f050c-2002ffff : Memory Logging Limit Removed for [PhysicalMemoryElementName] on Subsystem [MemoryElementName]. (DIMM 2)**

This message is for the use case when an implementation has detected that the Memory Logging Limit has been Removed.

May also be shown as 816f050c2002ffff or 0x816f050c2002ffff

Severity

Info

Serviceable

No

Automatically notify support

No

Alert Category

Warning - Memory

SNMP Trap ID

43

CIM Information

Prefix: PLAT ID: 0145

User Response

No action; information only.

- **816f050c-2003ffff : Memory Logging Limit Removed for [PhysicalMemoryElementName] on Subsystem [MemoryElementName]. (DIMM 3)**

This message is for the use case when an implementation has detected that the Memory Logging Limit has been Removed.

May also be shown as 816f050c2003ffff or 0x816f050c2003ffff

Severity

Info

Serviceable

No

Automatically notify support

No

Alert Category

Warning - Memory

SNMP Trap ID

43

CIM Information

Prefix: PLAT ID: 0145

User Response

No action; information only.

- **816f050c-2004ffff : Memory Logging Limit Removed for [PhysicalMemoryElementName] on Subsystem [MemoryElementName]. (DIMM 4)**

This message is for the use case when an implementation has detected that the Memory Logging Limit has been Removed.

May also be shown as 816f050c2004ffff or 0x816f050c2004ffff

Severity

Info

Serviceable

No

Automatically notify support

No

Alert Category

Warning - Memory

SNMP Trap ID

43

CIM Information

Prefix: PLAT ID: 0145

User Response

No action; information only.

- **816f050c-2005ffff : Memory Logging Limit Removed for [PhysicalMemoryElementName] on Subsystem [MemoryElementName]. (DIMM 5)**

This message is for the use case when an implementation has detected that the Memory Logging Limit has been Removed.

May also be shown as 816f050c2005ffff or 0x816f050c2005ffff

Severity

Info

Serviceable

No

Automatically notify support

No

Alert Category

Warning - Memory

SNMP Trap ID

43

CIM Information

Prefix: PLAT ID: 0145

User Response

No action; information only.

- **816f050c-2006ffff : Memory Logging Limit Removed for [PhysicalMemoryElementName] on Subsystem [MemoryElementName]. (DIMM 6)**

This message is for the use case when an implementation has detected that the Memory Logging Limit has been Removed.

May also be shown as 816f050c2006ffff or 0x816f050c2006ffff

Severity

Info

Serviceable

No

Automatically notify support

No

Alert Category

Warning - Memory

SNMP Trap ID

43

CIM Information

Prefix: PLAT ID: 0145

User Response

No action; information only.

- **816f050c-2007ffff : Memory Logging Limit Removed for [PhysicalMemoryElementName] on Subsystem [MemoryElementName]. (DIMM 7)**

This message is for the use case when an implementation has detected that the Memory Logging Limit has been Removed.

May also be shown as 816f050c2007ffff or 0x816f050c2007ffff

Severity

Info

Serviceable

No

Automatically notify support

No

Alert Category

Warning - Memory

SNMP Trap ID

43

CIM Information**Prefix:** PLAT ID: 0145**User Response**

No action; information only.

- **816f050c-2008ffff : Memory Logging Limit Removed for [PhysicalMemoryElementName] on Subsystem [MemoryElementName]. (DIMM 8)**

This message is for the use case when an implementation has detected that the Memory Logging Limit has been Removed.

May also be shown as 816f050c2008ffff or 0x816f050c2008ffff

Severity

Info

Serviceable

No

Automatically notify support

No

Alert Category

Warning - Memory

SNMP Trap ID

43

CIM Information**Prefix:** PLAT ID: 0145**User Response**

No action; information only.

- **816f050c-2009ffff : Memory Logging Limit Removed for [PhysicalMemoryElementName] on Subsystem [MemoryElementName]. (DIMM 9)**

This message is for the use case when an implementation has detected that the Memory Logging Limit has been Removed.

May also be shown as 816f050c2009ffff or 0x816f050c2009ffff

Severity

Info

Serviceable

No

Automatically notify support

No

Alert Category

Warning - Memory

SNMP Trap ID

43

CIM Information

Prefix: PLAT ID: 0145

User Response

No action; information only.

- **816f050c-200afff : Memory Logging Limit Removed for [PhysicalMemoryElementName] on Subsystem [MemoryElementName]. (DIMM 10)**

This message is for the use case when an implementation has detected that the Memory Logging Limit has been Removed.

May also be shown as 816f050c200afff or 0x816f050c200afff

Severity

Info

Serviceable

No

Automatically notify support

No

Alert Category

Warning - Memory

SNMP Trap ID

43

CIM Information

Prefix: PLAT ID: 0145

User Response

No action; information only.

- **816f050c-200bfff : Memory Logging Limit Removed for [PhysicalMemoryElementName] on Subsystem [MemoryElementName]. (DIMM 11)**

This message is for the use case when an implementation has detected that the Memory Logging Limit has been Removed.

May also be shown as 816f050c200bfff or 0x816f050c200bfff

Severity

Info

Serviceable

No

Automatically notify support

No

Alert Category

Warning - Memory

SNMP Trap ID

43

CIM Information**Prefix:** PLAT ID: 0145**User Response**

No action; information only.

- **816f050c-200cffff : Memory Logging Limit Removed for [PhysicalMemoryElementName] on Subsystem [MemoryElementName]. (DIMM 12)**

This message is for the use case when an implementation has detected that the Memory Logging Limit has been Removed.

May also be shown as 816f050c200cffff or 0x816f050c200cffff

Severity

Info

Serviceable

No

Automatically notify support

No

Alert Category

Warning - Memory

SNMP Trap ID

43

CIM Information**Prefix:** PLAT ID: 0145**User Response**

No action; information only.

- **816f050c-2581ffff : Memory Logging Limit Removed for [PhysicalMemoryElementName] on Subsystem [MemoryElementName]. (All DIMMS)**

This message is for the use case when an implementation has detected that the Memory Logging Limit has been Removed.

May also be shown as 816f050c2581ffff or 0x816f050c2581ffff

Severity

Info

Serviceable

No

Automatically notify support

No

Alert Category

Warning - Memory

SNMP Trap ID

43

CIM Information**Prefix:** PLAT ID: 0145

User Response

No action; information only. One of the DIMMs :

- **816f050d-0400ffff : Critical Array [ComputerSystemElementName] has deasserted. (Drive 0)**

This message is for the use case when an implementation has detected that an Critical Array has deasserted.

May also be shown as 816f050d0400ffff or 0x816f050d0400ffff

Severity

Info

Serviceable

No

Automatically notify support

No

Alert Category

Critical - Hard Disk drive

SNMP Trap ID

5

CIM Information

Prefix: PLAT ID: 0175

User Response

No action; information only.

- **816f050d-0401ffff : Critical Array [ComputerSystemElementName] has deasserted. (Drive 1)**

This message is for the use case when an implementation has detected that an Critical Array has deasserted.

May also be shown as 816f050d0401ffff or 0x816f050d0401ffff

Severity

Info

Serviceable

No

Automatically notify support

No

Alert Category

Critical - Hard Disk drive

SNMP Trap ID

5

CIM Information

Prefix: PLAT ID: 0175

User Response

No action; information only.

- **816f050d-0402ffff : Critical Array [ComputerSystemElementName] has deasserted. (Drive 2)**

This message is for the use case when an implementation has detected that an Critical Array has deasserted.

May also be shown as 816f050d0402ffff or 0x816f050d0402ffff

Severity

Info

Serviceable

No

Automatically notify support

No

Alert Category

Critical - Hard Disk drive

SNMP Trap ID

5

CIM Information

Prefix: PLAT ID: 0175

User Response

No action; information only.

- **816f050d-0403ffff : Critical Array [ComputerSystemElementName] has deasserted. (Drive 3)**

This message is for the use case when an implementation has detected that an Critical Array has deasserted.

May also be shown as 816f050d0403ffff or 0x816f050d0403ffff

Severity

Info

Serviceable

No

Automatically notify support

No

Alert Category

Critical - Hard Disk drive

SNMP Trap ID

5

CIM Information

Prefix: PLAT ID: 0175

User Response

No action; information only.

- **816f050d-0404ffff : Critical Array [ComputerSystemElementName] has deasserted. (Drive 4)**

This message is for the use case when an implementation has detected that an Critical Array has deasserted.

May also be shown as 816f050d0404ffff or 0x816f050d0404ffff

Severity

Info

Serviceable

No

Automatically notify support

No

Alert Category

Critical - Hard Disk drive

SNMP Trap ID

5

CIM Information

Prefix: PLAT ID: 0175

User Response

No action; information only.

- **816f050d-0405ffff : Critical Array [ComputerSystemElementName] has deasserted. (Drive 5)**

This message is for the use case when an implementation has detected that an Critical Array has deasserted.

May also be shown as 816f050d0405ffff or 0x816f050d0405ffff

Severity

Info

Serviceable

No

Automatically notify support

No

Alert Category

Critical - Hard Disk drive

SNMP Trap ID

5

CIM Information

Prefix: PLAT ID: 0175

User Response

No action; information only.

- **816f050d-0406ffff : Critical Array [ComputerSystemElementName] has deasserted. (Drive 6)**

This message is for the use case when an implementation has detected that an Critical Array has deasserted.

May also be shown as 816f050d0406ffff or 0x816f050d0406ffff

Severity

Info

Serviceable

No

Automatically notify support

No

Alert Category

Critical - Hard Disk drive

SNMP Trap ID

5

CIM Information

Prefix: PLAT ID: 0175

User Response

No action; information only.

- **816f050d-0407ffff : Critical Array [ComputerSystemElementName] has deasserted. (Drive 7)**

This message is for the use case when an implementation has detected that an Critical Array has deasserted.

May also be shown as 816f050d0407ffff or 0x816f050d0407ffff

Severity

Info

Serviceable

No

Automatically notify support

No

Alert Category

Critical - Hard Disk drive

SNMP Trap ID

5

CIM Information

Prefix: PLAT ID: 0175

User Response

No action; information only.

- **816f0607-0301ffff : An SM BIOS Uncorrectable CPU complex error for [ProcessorElementName] has deasserted. (CPU 1)**

This message is for the use case when an SM BIOS Uncorrectable CPU complex error has deasserted.

May also be shown as 816f06070301ffff or 0x816f06070301ffff

Severity

Info

Serviceable

No

Automatically notify support

No

Alert Category

Critical - CPU

SNMP Trap ID

40

CIM Information

Prefix: PLAT ID: 0817

User Response

No action; information only.

- **816f0607-0302ffff : An SM BIOS Uncorrectable CPU complex error for [ProcessorElementName] has deasserted. (CPU 2)**

This message is for the use case when an SM BIOS Uncorrectable CPU complex error has deasserted.
May also be shown as 816f06070302ffff or 0x816f06070302ffff

Severity

Info

Serviceable

No

Automatically notify support

No

Alert Category

Critical - CPU

SNMP Trap ID

40

CIM Information

Prefix: PLAT ID: 0817

User Response

No action; information only.

- **816f0607-2584ffff : An SM BIOS Uncorrectable CPU complex error for [ProcessorElementName] has deasserted. (All CPUs)**

This message is for the use case when an SM BIOS Uncorrectable CPU complex error has deasserted.
May also be shown as 816f06072584ffff or 0x816f06072584ffff

Severity

Info

Serviceable

No

Automatically notify support

No

Alert Category

Critical - CPU

SNMP Trap ID

40

CIM Information

Prefix: PLAT ID: 0817

User Response

No action; information only. One of The CPUs :

- **816f0608-1301ffff : [PowerSupplyElementName] Configuration is OK. (PS Configuration)**

This message is for the use case when an implementation when a Power Supply configuration is OK.

May also be shown as 816f06081301ffff or 0x816f06081301ffff

Severity

Info

Serviceable

No

Automatically notify support

No

Alert Category

Critical - Power

SNMP Trap ID

4

CIM Information

Prefix: PLAT ID: 0105

User Response

No action; information only.

- **816f060d-0400ffff : Array in system [ComputerSystemElementName] has been restored. (Drive 0)**

This message is for the use case when an implementation has detected that a Failed Array has been Restored.

May also be shown as 816f060d0400ffff or 0x816f060d0400ffff

Severity

Info

Serviceable

No

Automatically notify support

No

Alert Category

Critical - Hard Disk drive

SNMP Trap ID

5

CIM Information

Prefix: PLAT ID: 0177

User Response

No action; information only.

- **816f060d-0401ffff : Array in system [ComputerSystemElementName] has been restored. (Drive 1)**

This message is for the use case when an implementation has detected that a Failed Array has been Restored.

May also be shown as 816f060d0401ffff or 0x816f060d0401ffff

Severity

Info

Serviceable

No

Automatically notify support

No

Alert Category

Critical - Hard Disk drive

SNMP Trap ID

5

CIM Information

Prefix: PLAT ID: 0177

User Response

No action; information only.

- **816f060d-0402ffff : Array in system [ComputerSystemElementName] has been restored. (Drive 2)**

This message is for the use case when an implementation has detected that a Failed Array has been Restored.

May also be shown as 816f060d0402ffff or 0x816f060d0402ffff

Severity

Info

Serviceable

No

Automatically notify support

No

Alert Category

Critical - Hard Disk drive

SNMP Trap ID

5

CIM Information

Prefix: PLAT ID: 0177

User Response

No action; information only.

- **816f060d-0403ffff : Array in system [ComputerSystemElementName] has been restored. (Drive 3)**

This message is for the use case when an implementation has detected that a Failed Array has been Restored.

May also be shown as 816f060d0403ffff or 0x816f060d0403ffff

Severity

Info

Serviceable

No

Automatically notify support

No

Alert Category

Critical - Hard Disk drive

SNMP Trap ID

5

CIM Information

Prefix: PLAT ID: 0177

User Response

No action; information only.

- **816f060d-0404ffff : Array in system [ComputerSystemElementName] has been restored. (Drive 4)**

This message is for the use case when an implementation has detected that a Failed Array has been Restored.

May also be shown as 816f060d0404ffff or 0x816f060d0404ffff

Severity

Info

Serviceable

No

Automatically notify support

No

Alert Category

Critical - Hard Disk drive

SNMP Trap ID

5

CIM Information

Prefix: PLAT ID: 0177

User Response

No action; information only.

- **816f060d-0405ffff : Array in system [ComputerSystemElementName] has been restored. (Drive 5)**

This message is for the use case when an implementation has detected that a Failed Array has been Restored.

May also be shown as 816f060d0405ffff or 0x816f060d0405ffff

Severity

Info

Serviceable

No

Automatically notify support

No

Alert Category

Critical - Hard Disk drive

SNMP Trap ID

5

CIM Information

Prefix: PLAT ID: 0177

User Response

No action; information only.

- **816f060d-0406ffff : Array in system [ComputerSystemElementName] has been restored. (Drive 6)**

This message is for the use case when an implementation has detected that a Failed Array has been Restored.

May also be shown as 816f060d0406ffff or 0x816f060d0406ffff

Severity

Info

Serviceable

No

Automatically notify support

No

Alert Category

Critical - Hard Disk drive

SNMP Trap ID

5

CIM Information

Prefix: PLAT ID: 0177

User Response

No action; information only.

- **816f060d-0407ffff : Array in system [ComputerSystemElementName] has been restored. (Drive 7)**

This message is for the use case when an implementation has detected that a Failed Array has been Restored.

May also be shown as 816f060d0407ffff or 0x816f060d0407ffff

Severity

Info

Serviceable

No

Automatically notify support

No

Alert Category

Critical - Hard Disk drive

SNMP Trap ID

5

CIM Information

Prefix: PLAT ID: 0177

User Response

No action; information only.

- **816f070c-2001ffff : Configuration error for [PhysicalMemoryElementName] on Subsystem [MemoryElementName] has deasserted. (DIMM 1)**

This message is for the use case when an implementation has detected a Memory DIMM configuration error has deasserted.

May also be shown as 816f070c2001ffff or 0x816f070c2001ffff

Severity

Info

Serviceable

No

Automatically notify support

No

Alert Category

Critical - Memory

SNMP Trap ID

41

CIM Information

Prefix: PLAT ID: 0127

User Response

No action; information only.

- **816f070c-2002ffff : Configuration error for [PhysicalMemoryElementName] on Subsystem [MemoryElementName]has deasserted. (DIMM 2)**

This message is for the use case when an implementation has detected a Memory DIMM configuration error has deasserted.

May also be shown as 816f070c2002ffff or 0x816f070c2002ffff

Severity

Info

Serviceable

No

Automatically notify support

No

Alert Category

Critical - Memory

SNMP Trap ID

41

CIM Information

Prefix: PLAT ID: 0127

User Response

No action; information only.

- **816f070c-2003ffff : Configuration error for [PhysicalMemoryElementName] on Subsystem [MemoryElementName]has deasserted. (DIMM 3)**

This message is for the use case when an implementation has detected a Memory DIMM configuration error has deasserted.

May also be shown as 816f070c2003ffff or 0x816f070c2003ffff

Severity

Info

Serviceable

No

Automatically notify support

No

Alert Category

Critical - Memory

SNMP Trap ID

41

CIM Information

Prefix: PLAT ID: 0127

User Response

No action; information only.

- **816f070c-2004ffff : Configuration error for [PhysicalMemoryElementName] on Subsystem [MemoryElementName]has deasserted. (DIMM 4)**

This message is for the use case when an implementation has detected a Memory DIMM configuration error has deasserted.

May also be shown as 816f070c2004ffff or 0x816f070c2004ffff

Severity

Info

Serviceable

No

Automatically notify support

No

Alert Category

Critical - Memory

SNMP Trap ID

41

CIM Information

Prefix: PLAT ID: 0127

User Response

No action; information only.

- **816f070c-2005ffff : Configuration error for [PhysicalMemoryElementName] on Subsystem [MemoryElementName]has deasserted. (DIMM 5)**

This message is for the use case when an implementation has detected a Memory DIMM configuration error has deasserted.

May also be shown as 816f070c2005ffff or 0x816f070c2005ffff

Severity

Info

Serviceable

No

Automatically notify support

No

Alert Category

Critical - Memory

SNMP Trap ID

41

CIM Information

Prefix: PLAT ID: 0127

User Response

No action; information only.

- **816f070c-2006ffff : Configuration error for [PhysicalMemoryElementName] on Subsystem [MemoryElementName]has deasserted. (DIMM 6)**

This message is for the use case when an implementation has detected a Memory DIMM configuration error has deasserted.

May also be shown as 816f070c2006ffff or 0x816f070c2006ffff

Severity

Info

Serviceable

No

Automatically notify support

No

Alert Category

Critical - Memory

SNMP Trap ID

41

CIM Information

Prefix: PLAT ID: 0127

User Response

No action; information only.

- **816f070c-2007ffff : Configuration error for [PhysicalMemoryElementName] on Subsystem [MemoryElementName]has deasserted. (DIMM 7)**

This message is for the use case when an implementation has detected a Memory DIMM configuration error has deasserted.

May also be shown as 816f070c2007ffff or 0x816f070c2007ffff

Severity

Info

Serviceable

No

Automatically notify support

No

Alert Category

Critical - Memory

SNMP Trap ID

41

CIM Information

Prefix: PLAT ID: 0127

User Response

No action; information only.

- **816f070c-2008ffff : Configuration error for [PhysicalMemoryElementName] on Subsystem [MemoryElementName]has deasserted. (DIMM 8)**

This message is for the use case when an implementation has detected a Memory DIMM configuration error has deasserted.

May also be shown as 816f070c2008ffff or 0x816f070c2008ffff

Severity

Info

Serviceable

No

Automatically notify support

No

Alert Category

Critical - Memory

SNMP Trap ID

41

CIM Information

Prefix: PLAT ID: 0127

User Response

No action; information only.

- **816f070c-2009ffff : Configuration error for [PhysicalMemoryElementName] on Subsystem [MemoryElementName]has deasserted. (DIMM 9)**

This message is for the use case when an implementation has detected a Memory DIMM configuration error has deasserted.

May also be shown as 816f070c2009ffff or 0x816f070c2009ffff

Severity

Info

Serviceable

No

Automatically notify support

No

Alert Category

Critical - Memory

SNMP Trap ID

41

CIM Information

Prefix: PLAT ID: 0127

User Response

No action; information only.

- **816f070c-200affff : Configuration error for [PhysicalMemoryElementName] on Subsystem [MemoryElementName]has deasserted. (DIMM 10)**

This message is for the use case when an implementation has detected a Memory DIMM configuration error has deasserted.

May also be shown as 816f070c200affff or 0x816f070c200affff

Severity

Info

Serviceable

No

Automatically notify support

No

Alert Category

Critical - Memory

SNMP Trap ID

41

CIM Information

Prefix: PLAT ID: 0127

User Response

No action; information only.

- **816f070c-200bfff : Configuration error for [PhysicalMemoryElementName] on Subsystem [MemoryElementName]has deasserted. (DIMM 11)**

This message is for the use case when an implementation has detected a Memory DIMM configuration error has deasserted.

May also be shown as 816f070c200bfff or 0x816f070c200bfff

Severity

Info

Serviceable

No

Automatically notify support

No

Alert Category

Critical - Memory

SNMP Trap ID

41

CIM Information

Prefix: PLAT ID: 0127

User Response

No action; information only.

- **816f070c-200cfff : Configuration error for [PhysicalMemoryElementName] on Subsystem [MemoryElementName]has deasserted. (DIMM 12)**

This message is for the use case when an implementation has detected a Memory DIMM configuration error has deasserted.

May also be shown as 816f070c200cfff or 0x816f070c200cfff

Severity

Info

Serviceable

No

Automatically notify support

No

Alert Category

Critical - Memory

SNMP Trap ID

41

CIM Information

Prefix: PLAT ID: 0127

User Response

No action; information only.

- **816f070c-2581ffff : Configuration error for [PhysicalMemoryElementName] on Subsystem [MemoryElementName]has deasserted. (All DIMMS)**

This message is for the use case when an implementation has detected a Memory DIMM configuration error has deasserted.

May also be shown as 816f070c2581ffff or 0x816f070c2581ffff

Severity

Info

Serviceable

No

Automatically notify support

No

Alert Category

Critical - Memory

SNMP Trap ID

41

CIM Information

Prefix: PLAT ID: 0127

User Response

No action; information only. One of the DIMMs :

- **816f070d-0400ffff : Rebuild completed for Array in system [ComputerSystemElementName]. (Drive 0)**

This message is for the use case when an implementation has detected that an Array Rebuild has Completed.

May also be shown as 816f070d0400ffff or 0x816f070d0400ffff

Severity

Info

Serviceable

No

Automatically notify support

No

Alert Category

System - Other

SNMP Trap ID

CIM Information

Prefix: PLAT ID: 0179

User Response

No action; information only.

- **816f070d-0401ffff : Rebuild completed for Array in system [ComputerSystemElementName]. (Drive 1)**

This message is for the use case when an implementation has detected that an Array Rebuild has Completed.

May also be shown as 816f070d0401ffff or 0x816f070d0401ffff

Severity

Info

Serviceable

No

Automatically notify support

No

Alert Category

System - Other

SNMP Trap ID

CIM Information

Prefix: PLAT ID: 0179

User Response

No action; information only.

- **816f070d-0402ffff : Rebuild completed for Array in system [ComputerSystemElementName]. (Drive 2)**

This message is for the use case when an implementation has detected that an Array Rebuild has Completed.

May also be shown as 816f070d0402ffff or 0x816f070d0402ffff

Severity

Info

Serviceable

No

Automatically notify support

No

Alert Category

System - Other

SNMP Trap ID

CIM Information

Prefix: PLAT ID: 0179

User Response

No action; information only.

- **816f070d-0403ffff : Rebuild completed for Array in system [ComputerSystemElementName]. (Drive 3)**

This message is for the use case when an implementation has detected that an Array Rebuild has Completed.

May also be shown as 816f070d0403ffff or 0x816f070d0403ffff

Severity

Info

Serviceable

No

Automatically notify support

No

Alert Category

System - Other

SNMP Trap ID

CIM Information

Prefix: PLAT ID: 0179

User Response

No action; information only.

- **816f070d-0404ffff : Rebuild completed for Array in system [ComputerSystemElementName]. (Drive 4)**

This message is for the use case when an implementation has detected that an Array Rebuild has Completed.

May also be shown as 816f070d0404ffff or 0x816f070d0404ffff

Severity

Info

Serviceable

No

Automatically notify support

No

Alert Category

System - Other

SNMP Trap ID

CIM Information

Prefix: PLAT ID: 0179

User Response

No action; information only.

- **816f070d-0405ffff : Rebuild completed for Array in system [ComputerSystemElementName]. (Drive 5)**

This message is for the use case when an implementation has detected that an Array Rebuild has Completed.

May also be shown as 816f070d0405ffff or 0x816f070d0405ffff

Severity

Info

Serviceable

No

Automatically notify support

No

Alert Category

System - Other

SNMP Trap ID

CIM Information

Prefix: PLAT ID: 0179

User Response

No action; information only.

- **816f070d-0406ffff : Rebuild completed for Array in system [ComputerSystemElementName]. (Drive 6)**

This message is for the use case when an implementation has detected that an Array Rebuild has Completed.

May also be shown as 816f070d0406ffff or 0x816f070d0406ffff

Severity

Info

Serviceable

No

Automatically notify support

No

Alert Category

System - Other

SNMP Trap ID

CIM Information

Prefix: PLAT ID: 0179

User Response

No action; information only.

- **816f070d-0407ffff : Rebuild completed for Array in system [ComputerSystemElementName]. (Drive 7)**

This message is for the use case when an implementation has detected that an Array Rebuild has Completed.

May also be shown as 816f070d0407ffff or 0x816f070d0407ffff

Severity

Info

Serviceable

No

Automatically notify support

No

Alert Category

System - Other

SNMP Trap ID

CIM Information

Prefix: PLAT ID: 0179

User Response

No action; information only.

- **816f0807-0301ffff : [ProcessorElementName] has been Enabled. (CPU 1)**

This message is for the use case when an implementation has detected a Processor has been Enabled.

May also be shown as 816f08070301ffff or 0x816f08070301ffff

Severity

Info

Serviceable

No

Automatically notify support

No

Alert Category

System - Other

SNMP Trap ID

CIM Information

Prefix: PLAT ID: 0060

User Response

No action; information only.

- **816f0807-0302ffff : [ProcessorElementName] has been Enabled. (CPU 2)**

This message is for the use case when an implementation has detected a Processor has been Enabled.

May also be shown as 816f08070302ffff or 0x816f08070302ffff

Severity

Info

Serviceable

No

Automatically notify support

No

Alert Category

System - Other

SNMP Trap ID

CIM Information

Prefix: PLAT ID: 0060

User Response

No action; information only.

- **816f0807-2584ffff : [ProcessorElementName] has been Enabled. (All CPUs)**

This message is for the use case when an implementation has detected a Processor has been Enabled.

May also be shown as 816f08072584ffff or 0x816f08072584ffff

Severity

Info

Serviceable

No

Automatically notify support

No

Alert Category

System - Other

SNMP Trap ID**CIM Information**

Prefix: PLAT ID: 0060

User Response

No action; information only. One of The CPUs :

- **816f0813-2581ffff : System [ComputerSystemElementName]has recovered from an Uncorrectable Bus Error. (DIMMs)**

This message is for the use case when an implementation has detected a that a system has recovered from a Bus Uncorrectable Error.

May also be shown as 816f08132581ffff or 0x816f08132581ffff

Severity

Info

Serviceable

No

Automatically notify support

No

Alert Category

Critical - Other

SNMP Trap ID

50

CIM Information

Prefix: PLAT ID: 0241

User Response

No action; information only.

- **816f0813-2582ffff : System [ComputerSystemElementName]has recovered from an Uncorrectable Bus Error. (PCIs)**

This message is for the use case when an implementation has detected a that a system has recovered from a Bus Uncorrectable Error.

May also be shown as 816f08132582ffff or 0x816f08132582ffff

Severity

Info

Serviceable

No

Automatically notify support

No

Alert Category

Critical - Other

SNMP Trap ID

50

CIM Information

Prefix: PLAT ID: 0241

User Response

No action; information only.

- **816f0813-2584ffff : System [ComputerSystemElementName]has recovered from an Uncorrectable Bus Error. (CPUs)**

This message is for the use case when an implementation has detected a that a system has recovered from a Bus Uncorrectable Error.

May also be shown as 816f08132584ffff or 0x816f08132584ffff

Severity

Info

Serviceable

No

Automatically notify support

No

Alert Category

Critical - Other

SNMP Trap ID

50

CIM Information

Prefix: PLAT ID: 0241

User Response

No action; information only.

- **816f090c-2001ffff : [PhysicalMemoryElementName] on Subsystem [MemoryElementName] is no longer Throttled. (DIMM 1)**

This message is for the use case when an implementation has detected Memory is no longer Throttled.

May also be shown as 816f090c2001ffff or 0x816f090c2001ffff

Severity

Info

Serviceable

No

Automatically notify support

No

Alert Category

System - Other

SNMP Trap ID**CIM Information****Prefix: PLAT ID:** 0143**User Response**

No action; information only.

- **816f090c-2002ffff : [PhysicalMemoryElementName] on Subsystem [MemoryElementName] is no longer Throttled. (DIMM 2)**

This message is for the use case when an implementation has detected Memory is no longer Throttled.

May also be shown as 816f090c2002ffff or 0x816f090c2002ffff

Severity

Info

Serviceable

No

Automatically notify support

No

Alert Category

System - Other

SNMP Trap ID**CIM Information****Prefix: PLAT ID:** 0143**User Response**

No action; information only.

- **816f090c-2003ffff : [PhysicalMemoryElementName] on Subsystem [MemoryElementName] is no longer Throttled. (DIMM 3)**

This message is for the use case when an implementation has detected Memory is no longer Throttled.

May also be shown as 816f090c2003ffff or 0x816f090c2003ffff

Severity

Info

Serviceable

No

Automatically notify support

No

Alert Category

System - Other

SNMP Trap ID

CIM Information

Prefix: PLAT ID: 0143

User Response

No action; information only.

- **816f090c-2004ffff : [PhysicalMemoryElementName] on Subsystem [MemoryElementName] is no longer Throttled. (DIMM 4)**

This message is for the use case when an implementation has detected Memory is no longer Throttled.

May also be shown as 816f090c2004ffff or 0x816f090c2004ffff

Severity

Info

Serviceable

No

Automatically notify support

No

Alert Category

System - Other

SNMP Trap ID

CIM Information

Prefix: PLAT ID: 0143

User Response

No action; information only.

- **816f090c-2005ffff : [PhysicalMemoryElementName] on Subsystem [MemoryElementName] is no longer Throttled. (DIMM 5)**

This message is for the use case when an implementation has detected Memory is no longer Throttled.

May also be shown as 816f090c2005ffff or 0x816f090c2005ffff

Severity

Info

Serviceable

No

Automatically notify support

No

Alert Category

System - Other

SNMP Trap ID

CIM Information

Prefix: PLAT ID: 0143

User Response

No action; information only.

- **816f090c-2006ffff : [PhysicalMemoryElementName] on Subsystem [MemoryElementName] is no longer Throttled. (DIMM 6)**

This message is for the use case when an implementation has detected Memory is no longer Throttled.

May also be shown as 816f090c2006ffff or 0x816f090c2006ffff

Severity

Info

Serviceable

No

Automatically notify support

No

Alert Category

System - Other

SNMP Trap ID

CIM Information

Prefix: PLAT ID: 0143

User Response

No action; information only.

- **816f090c-2007ffff : [PhysicalMemoryElementName] on Subsystem [MemoryElementName] is no longer Throttled. (DIMM 7)**

This message is for the use case when an implementation has detected Memory is no longer Throttled.

May also be shown as 816f090c2007ffff or 0x816f090c2007ffff

Severity

Info

Serviceable

No

Automatically notify support

No

Alert Category

System - Other

SNMP Trap ID

CIM Information

Prefix: PLAT ID: 0143

User Response

No action; information only.

- **816f090c-2008ffff : [PhysicalMemoryElementName] on Subsystem [MemoryElementName] is no longer Throttled. (DIMM 8)**

This message is for the use case when an implementation has detected Memory is no longer Throttled.

May also be shown as 816f090c2008ffff or 0x816f090c2008ffff

Severity

Info

Serviceable

No

Automatically notify support

No

Alert Category

System - Other

SNMP Trap ID

CIM Information

Prefix: PLAT ID: 0143

User Response

No action; information only.

- **816f090c-2009ffff : [PhysicalMemoryElementName] on Subsystem [MemoryElementName] is no longer Throttled. (DIMM 9)**

This message is for the use case when an implementation has detected Memory is no longer Throttled.

May also be shown as 816f090c2009ffff or 0x816f090c2009ffff

Severity

Info

Serviceable

No

Automatically notify support

No

Alert Category

System - Other

SNMP Trap ID

CIM Information

Prefix: PLAT ID: 0143

User Response

No action; information only.

- **816f090c-200affff : [PhysicalMemoryElementName] on Subsystem [MemoryElementName] is no longer Throttled. (DIMM 10)**

This message is for the use case when an implementation has detected Memory is no longer Throttled.

May also be shown as 816f090c200affff or 0x816f090c200affff

Severity

Info

Serviceable

No

Automatically notify support

No

Alert Category

System - Other

SNMP Trap ID

CIM Information

Prefix: PLAT ID: 0143

User Response

No action; information only.

- **816f090c-200bffff : [PhysicalMemoryElementName] on Subsystem [MemoryElementName] is no longer Throttled. (DIMM 11)**

This message is for the use case when an implementation has detected Memory is no longer Throttled.

May also be shown as 816f090c200bffff or 0x816f090c200bffff

Severity

Info

Serviceable

No

Automatically notify support

No

Alert Category

System - Other

SNMP Trap ID

CIM Information

Prefix: PLAT ID: 0143

User Response

No action; information only.

- **816f090c-200cffff : [PhysicalMemoryElementName] on Subsystem [MemoryElementName] is no longer Throttled. (DIMM 12)**

This message is for the use case when an implementation has detected Memory is no longer Throttled.

May also be shown as 816f090c200cffff or 0x816f090c200cffff

Severity

Info

Serviceable

No

Automatically notify support

No

Alert Category

System - Other

SNMP Trap ID

CIM Information

Prefix: PLAT ID: 0143

User Response

No action; information only.

- **816f0a07-0301ffff : The Processor [ProcessorElementName] is no longer operating in a Degraded State. (CPU 1)**

This message is for the use case when an implementation has detected a Processor is no longer running in the Degraded state.

May also be shown as 816f0a070301ffff or 0x816f0a070301ffff

Severity

Info

Serviceable

No

Automatically notify support

No

Alert Category

Warning - CPU

SNMP Trap ID

42

CIM Information

Prefix: PLAT ID: 0039

User Response

No action; information only.

- **816f0a07-0302ffff : The Processor [ProcessorElementName] is no longer operating in a Degraded State. (CPU 2)**

This message is for the use case when an implementation has detected a Processor is no longer running in the Degraded state.

May also be shown as 816f0a070302ffff or 0x816f0a070302ffff

Severity

Info

Serviceable

No

Automatically notify support

No

Alert Category

Warning - CPU

SNMP Trap ID

42

CIM Information

Prefix: PLAT ID: 0039

User Response

No action; information only.

- **816f0a0c-2001ffff : An Over-Temperature Condition has been removed on the [PhysicalMemoryElementName] on Subsystem [MemoryElementName]. (DIMM 1)**

This message is for the use case when an implementation has detected an Over Temperature Condition for Memory that has been Removed.

May also be shown as 816f0a0c2001ffff or 0x816f0a0c2001ffff

Severity

Info

Serviceable

No

Automatically notify support

No

Alert Category

Critical - Temperature

SNMP Trap ID

0

CIM Information

Prefix: PLAT ID: 0147

User Response

No action; information only.

- **816f0a0c-2002ffff : An Over-Temperature Condition has been removed on the [PhysicalMemoryElementName] on Subsystem [MemoryElementName]. (DIMM 2)**

This message is for the use case when an implementation has detected an Over Temperature Condition for Memory that has been Removed.

May also be shown as 816f0a0c2002ffff or 0x816f0a0c2002ffff

Severity

Info

Serviceable

No

Automatically notify support

No

Alert Category

Critical - Temperature

SNMP Trap ID

0

CIM Information

Prefix: PLAT ID: 0147

User Response

No action; information only.

- **816f0a0c-2003ffff : An Over-Temperature Condition has been removed on the [PhysicalMemoryElementName] on Subsystem [MemoryElementName]. (DIMM 3)**

This message is for the use case when an implementation has detected an Over Temperature Condition for Memory that has been Removed.

May also be shown as 816f0a0c2003ffff or 0x816f0a0c2003ffff

Severity

Info

Serviceable

No

Automatically notify support

No

Alert Category

Critical - Temperature

SNMP Trap ID

0

CIM Information

Prefix: PLAT ID: 0147

User Response

No action; information only.

- **816f0a0c-2004ffff : An Over-Temperature Condition has been removed on the [PhysicalMemoryElementName] on Subsystem [MemoryElementName]. (DIMM 4)**

This message is for the use case when an implementation has detected an Over Temperature Condition for Memory that has been Removed.

May also be shown as 816f0a0c2004ffff or 0x816f0a0c2004ffff

Severity

Info

Serviceable

No

Automatically notify support

No

Alert Category

Critical - Temperature

SNMP Trap ID

0

CIM Information

Prefix: PLAT ID: 0147

User Response

No action; information only.

- **816f0a0c-2005ffff : An Over-Temperature Condition has been removed on the [PhysicalMemoryElementName] on Subsystem [MemoryElementName]. (DIMM 5)**

This message is for the use case when an implementation has detected an Over Temperature Condition for Memory that has been Removed.

May also be shown as 816f0a0c2005ffff or 0x816f0a0c2005ffff

Severity

Info

Serviceable

No

Automatically notify support

No

Alert Category

Critical - Temperature

SNMP Trap ID

0

CIM Information

Prefix: PLAT ID: 0147

User Response

No action; information only.

- **816f0a0c-2006ffff : An Over-Temperature Condition has been removed on the [PhysicalMemoryElementName] on Subsystem [MemoryElementName]. (DIMM 6)**

This message is for the use case when an implementation has detected an Over Temperature Condition for Memory that has been Removed.

May also be shown as 816f0a0c2006ffff or 0x816f0a0c2006ffff

Severity

Info

Serviceable

No

Automatically notify support

No

Alert Category

Critical - Temperature

SNMP Trap ID

0

CIM Information

Prefix: PLAT ID: 0147

User Response

No action; information only.

- **816f0a0c-2007ffff : An Over-Temperature Condition has been removed on the [PhysicalMemoryElementName] on Subsystem [MemoryElementName]. (DIMM 7)**

This message is for the use case when an implementation has detected an Over Temperature Condition for Memory that has been Removed.

May also be shown as 816f0a0c2007ffff or 0x816f0a0c2007ffff

Severity

Info

Serviceable

No

Automatically notify support

No

Alert Category

Critical - Temperature

SNMP Trap ID

0

CIM Information

Prefix: PLAT ID: 0147

User Response

No action; information only.

- **816f0a0c-2008ffff : An Over-Temperature Condition has been removed on the [PhysicalMemoryElementName] on Subsystem [MemoryElementName]. (DIMM 8)**

This message is for the use case when an implementation has detected an Over Temperature Condition for Memory that has been Removed.

May also be shown as 816f0a0c2008ffff or 0x816f0a0c2008ffff

Severity

Info

Serviceable

No

Automatically notify support

No

Alert Category

Critical - Temperature

SNMP Trap ID

0

CIM Information

Prefix: PLAT ID: 0147

User Response

No action; information only.

- **816f0a0c-2009ffff : An Over-Temperature Condition has been removed on the [PhysicalMemoryElementName] on Subsystem [MemoryElementName]. (DIMM 9)**

This message is for the use case when an implementation has detected an Over Temperature Condition for Memory that has been Removed.

May also be shown as 816f0a0c2009ffff or 0x816f0a0c2009ffff

Severity

Info

Serviceable

No

Automatically notify support

No

Alert Category

Critical - Temperature

SNMP Trap ID

0

CIM Information

Prefix: PLAT ID: 0147

User Response

No action; information only.

- **816f0a0c-200affff : An Over-Temperature Condition has been removed on the [PhysicalMemoryElementName] on Subsystem [MemoryElementName]. (DIMM 10)**

This message is for the use case when an implementation has detected an Over Temperature Condition for Memory that has been Removed.

May also be shown as 816f0a0c200affff or 0x816f0a0c200affff

Severity

Info

Serviceable

No

Automatically notify support

No

Alert Category

Critical - Temperature

SNMP Trap ID

0

CIM Information

Prefix: PLAT ID: 0147

User Response

No action; information only.

- **816f0a0c-200bffff : An Over-Temperature Condition has been removed on the [PhysicalMemoryElementName] on Subsystem [MemoryElementName]. (DIMM 11)**

This message is for the use case when an implementation has detected an Over Temperature Condition for Memory that has been Removed.

May also be shown as 816f0a0c200bffff or 0x816f0a0c200bffff

Severity

Info

Serviceable

No

Automatically notify support

No

Alert Category

Critical - Temperature

SNMP Trap ID

0

CIM Information

Prefix: PLAT ID: 0147

User Response

No action; information only.

- **816f0a0c-200cffff : An Over-Temperature Condition has been removed on the [PhysicalMemoryElementName] on Subsystem [MemoryElementName]. (DIMM 12)**

This message is for the use case when an implementation has detected an Over Temperature Condition for Memory that has been Removed.

May also be shown as 816f0a0c200cffff or 0x816f0a0c200cffff

Severity

Info

Serviceable

No

Automatically notify support

No

Alert Category

Critical - Temperature

SNMP Trap ID

0

CIM Information

Prefix: PLAT ID: 0147

User Response

No action; information only.

- **816f0a13-0301ffff : System [ComputerSystemElementName] has recovered from a Fatal Bus Error. (CPU 1 PECl)**

This message is for the use case when an implementation has detected that a system has recovered from a Bus Fatal Error.

May also be shown as 816f0a130301ffff or 0x816f0a130301ffff

Severity

Info

Serviceable

No

Automatically notify support

No

Alert Category

Critical - Other

SNMP Trap ID

50

CIM Information

Prefix: PLAT ID: 0245

User Response

No action; information only.

- **816f0a13-0302ffff : System [ComputerSystemElementName] has recovered from a Fatal Bus Error. (CPU 2 PECl)**

This message is for the use case when an implementation has detected that a system has recovered from a Bus Fatal Error.

May also be shown as 816f0a130302ffff or 0x816f0a130302ffff

Severity

Info

Serviceable

No

Automatically notify support

No

Alert Category

Critical - Other

SNMP Trap ID

50

CIM Information**Prefix:** PLAT ID: 0245**User Response**

No action; information only.

IMM Events that automatically notify Support

You can configure the IBM Flex System Manager or the CMM to automatically notify Support (also known as *call home*) if certain types of errors are encountered. If you have configured this function, see the table for a list of events that automatically notify Support.

Table 17. Events that automatically notify Support

Event ID	Message String	Automatically Notify Support
40000086-00000000	Test Call Home Generated by user [arg1].	Yes
40000087-00000000	Manual Call Home by user [arg1]: [arg2].	Yes
80010202-0701ffff	Numeric sensor [NumericSensorElementName] going low (lower critical) has asserted.	Yes
80010902-0701ffff	Numeric sensor [NumericSensorElementName] going high (upper critical) has asserted.	Yes
806f0021-2201ffff	Fault in slot [PhysicalConnectorSystemElementName] on system [ComputerSystemElementName]. (No Op ROM Space)	Yes
806f0021-2582ffff	Fault in slot [PhysicalConnectorSystemElementName] on system [ComputerSystemElementName]. (All PCI Error)	Yes
806f0021-3001ffff	Fault in slot [PhysicalConnectorSystemElementName] on system [ComputerSystemElementName]. (PCI 1-3)	Yes
806f0108-0a01ffff	[PowerSupplyElementName] has Failed. (Power Supply 1)	Yes
806f0108-0a02ffff	[PowerSupplyElementName] has Failed. (Power Supply 2)	Yes
806f010c-2001ffff	Uncorrectable error detected for [PhysicalMemoryElementName] on Subsystem [MemoryElementName]. (DIMM 1)	Yes
806f010c-2002ffff	Uncorrectable error detected for [PhysicalMemoryElementName] on Subsystem [MemoryElementName]. (DIMM 2)	Yes

Table 17. Events that automatically notify Support (continued)

Event ID	Message String	Automatically Notify Support
806f010c-2003ffff	Uncorrectable error detected for [PhysicalMemoryElementName] on Subsystem [MemoryElementName]. (DIMM 3)	Yes
806f010c-2004ffff	Uncorrectable error detected for [PhysicalMemoryElementName] on Subsystem [MemoryElementName]. (DIMM 4)	Yes
806f010c-2005ffff	Uncorrectable error detected for [PhysicalMemoryElementName] on Subsystem [MemoryElementName]. (DIMM 5)	Yes
806f010c-2006ffff	Uncorrectable error detected for [PhysicalMemoryElementName] on Subsystem [MemoryElementName]. (DIMM 6)	Yes
806f010c-2007ffff	Uncorrectable error detected for [PhysicalMemoryElementName] on Subsystem [MemoryElementName]. (DIMM 7)	Yes
806f010c-2008ffff	Uncorrectable error detected for [PhysicalMemoryElementName] on Subsystem [MemoryElementName]. (DIMM 8)	Yes
806f010c-2009ffff	Uncorrectable error detected for [PhysicalMemoryElementName] on Subsystem [MemoryElementName]. (DIMM 9)	Yes
806f010c-200affff	Uncorrectable error detected for [PhysicalMemoryElementName] on Subsystem [MemoryElementName]. (DIMM 10)	Yes
806f010c-200bffff	Uncorrectable error detected for [PhysicalMemoryElementName] on Subsystem [MemoryElementName]. (DIMM 11)	Yes
806f010c-200cffff	Uncorrectable error detected for [PhysicalMemoryElementName] on Subsystem [MemoryElementName]. (DIMM 12)	Yes
806f010c-2581ffff	Uncorrectable error detected for [PhysicalMemoryElementName] on Subsystem [MemoryElementName]. (All DIMMS)	Yes
806f010d-0400ffff	The Drive [StorageVolumeElementName] has been disabled due to a detected fault. (Drive 0)	Yes
806f010d-0401ffff	The Drive [StorageVolumeElementName] has been disabled due to a detected fault. (Drive 1)	Yes
806f010d-0402ffff	The Drive [StorageVolumeElementName] has been disabled due to a detected fault. (Drive 2)	Yes
806f010d-0403ffff	The Drive [StorageVolumeElementName] has been disabled due to a detected fault. (Drive 3)	Yes
806f010d-0404ffff	The Drive [StorageVolumeElementName] has been disabled due to a detected fault. (Drive 4)	Yes
806f010d-0405ffff	The Drive [StorageVolumeElementName] has been disabled due to a detected fault. (Drive 5)	Yes

Table 17. Events that automatically notify Support (continued)

Event ID	Message String	Automatically Notify Support
806f010d-0406ffff	The Drive [StorageVolumeElementName] has been disabled due to a detected fault. (Drive 6)	Yes
806f010d-0407ffff	The Drive [StorageVolumeElementName] has been disabled due to a detected fault. (Drive 7)	Yes
806f011b-0701ffff	The connector [PhysicalConnectorElementName] has encountered a configuration error. (Front USB)	Yes
806f0207-0301ffff	[ProcessorElementName] has Failed with FRB1/BIST condition. (CPU 1)	Yes
806f0207-0302ffff	[ProcessorElementName] has Failed with FRB1/BIST condition. (CPU 2)	Yes
806f0207-2584ffff	[ProcessorElementName] has Failed with FRB1/BIST condition. (All CPUs)	Yes
806f020d-0400ffff	Failure Predicted on drive [StorageVolumeElementName] for array [ComputerSystemElementName]. (Drive 0)	Yes
806f020d-0401ffff	Failure Predicted on drive [StorageVolumeElementName] for array [ComputerSystemElementName]. (Drive 1)	Yes
806f020d-0402ffff	Failure Predicted on drive [StorageVolumeElementName] for array [ComputerSystemElementName]. (Drive 2)	Yes
806f020d-0403ffff	Failure Predicted on drive [StorageVolumeElementName] for array [ComputerSystemElementName]. (Drive 3)	Yes
806f020d-0404ffff	Failure Predicted on drive [StorageVolumeElementName] for array [ComputerSystemElementName]. (Drive 4)	Yes
806f020d-0405ffff	Failure Predicted on drive [StorageVolumeElementName] for array [ComputerSystemElementName]. (Drive 5)	Yes
806f020d-0406ffff	Failure Predicted on drive [StorageVolumeElementName] for array [ComputerSystemElementName]. (Drive 6)	Yes
806f020d-0407ffff	Failure Predicted on drive [StorageVolumeElementName] for array [ComputerSystemElementName]. (Drive 7)	Yes
806f050c-2001ffff	Memory Logging Limit Reached for [PhysicalMemoryElementName] on Subsystem [MemoryElementName]. (DIMM 1)	Yes
806f050c-2002ffff	Memory Logging Limit Reached for [PhysicalMemoryElementName] on Subsystem [MemoryElementName]. (DIMM 2)	Yes
806f050c-2003ffff	Memory Logging Limit Reached for [PhysicalMemoryElementName] on Subsystem [MemoryElementName]. (DIMM 3)	Yes
806f050c-2004ffff	Memory Logging Limit Reached for [PhysicalMemoryElementName] on Subsystem [MemoryElementName]. (DIMM 4)	Yes
806f050c-2005ffff	Memory Logging Limit Reached for [PhysicalMemoryElementName] on Subsystem [MemoryElementName]. (DIMM 5)	Yes

Table 17. Events that automatically notify Support (continued)

Event ID	Message String	Automatically Notify Support
806f050c-2006ffff	Memory Logging Limit Reached for [PhysicalMemoryElementName] on Subsystem [MemoryElementName]. (DIMM 6)	Yes
806f050c-2007ffff	Memory Logging Limit Reached for [PhysicalMemoryElementName] on Subsystem [MemoryElementName]. (DIMM 7)	Yes
806f050c-2008ffff	Memory Logging Limit Reached for [PhysicalMemoryElementName] on Subsystem [MemoryElementName]. (DIMM 8)	Yes
806f050c-2009ffff	Memory Logging Limit Reached for [PhysicalMemoryElementName] on Subsystem [MemoryElementName]. (DIMM 9)	Yes
806f050c-200affff	Memory Logging Limit Reached for [PhysicalMemoryElementName] on Subsystem [MemoryElementName]. (DIMM 10)	Yes
806f050c-200bffff	Memory Logging Limit Reached for [PhysicalMemoryElementName] on Subsystem [MemoryElementName]. (DIMM 11)	Yes
806f050c-200cffff	Memory Logging Limit Reached for [PhysicalMemoryElementName] on Subsystem [MemoryElementName]. (DIMM 12)	Yes
806f050c-2581ffff	Memory Logging Limit Reached for [PhysicalMemoryElementName] on Subsystem [MemoryElementName]. (All DIMMS)	Yes
806f060d-0400ffff	Array [ComputerSystemElementName] has failed. (Drive 0)	Yes
806f060d-0401ffff	Array [ComputerSystemElementName] has failed. (Drive 1)	Yes
806f060d-0402ffff	Array [ComputerSystemElementName] has failed. (Drive 2)	Yes
806f060d-0403ffff	Array [ComputerSystemElementName] has failed. (Drive 3)	Yes
806f060d-0404ffff	Array [ComputerSystemElementName] has failed. (Drive 4)	Yes
806f060d-0405ffff	Array [ComputerSystemElementName] has failed. (Drive 5)	Yes
806f060d-0406ffff	Array [ComputerSystemElementName] has failed. (Drive 6)	Yes
806f060d-0407ffff	Array [ComputerSystemElementName] has failed. (Drive 7)	Yes
806f0813-2581ffff	A Uncorrectable Bus Error has occurred on system [ComputerSystemElementName]. (DIMMs)	Yes

Table 17. Events that automatically notify Support (continued)

Event ID	Message String	Automatically Notify Support
806f0813-2582ffff	A Uncorrectable Bus Error has occurred on system [ComputerSystemElementName]. (PCIs)	Yes
806f0813-2584ffff	A Uncorrectable Bus Error has occurred on system [ComputerSystemElementName]. (CPUs)	Yes

Appendix B. UEFI (POST) error codes

This section details the UEFI (POST) error codes.

UEFI (POST) diagnostic error codes can be generated when the server starts up or while the server is running. UEFI (POST) codes are logged in the Integrated Management Module II (IMM2) event log in the server.

For each event code, the following fields are displayed:

Event identifier

An identifier that uniquely identifies an event.

Event description

The logged message string that appears for an event.

Explanation

Additional information to explain why the event occurred.

Severity

An indication of the level of concern for the condition. The severity is abbreviated in the event log to the first character. The following severities can be displayed:

Table 18. Event severity levels

Severity	Description
Informational	An informational message is something that was recorded for audit purposes, usually a user action or a change of states that is normal behavior.
Warning	A warning is not as severe as an error, but if possible, the condition should be corrected before it becomes an error. It might also be a condition that requires additional monitoring or maintenance.
Error	An error typically indicates a failure or critical condition that impairs service or an expected function.

User response

Indicate the actions that you should take to resolve the event.

Perform the steps listed in this section in the order shown until the problem is solved. After you perform all of the actions that are described in this field, if you cannot solve the problem, contact IBM support.

The following is the list of the UEFI (POST) error codes and suggested actions to correct the detected problems.

List of UEFI events

This section lists all messages that can be sent from UEFI.

- **I.11002: [I.11002] A processor mismatch has been detected between one or more processors in the system.**

[I.11002] A processor mismatch has been detected between one or more processors in the system.

Severity: Error

User Response:

Complete the following steps:

1. This message could occur with messages about other Processor configuration problems. Resolve those messages first.
 2. If the problem persists, ensure that matching processors are installed (i.e., matching option part numbers, etc)
 3. Verify that the Processor's are installed in the correct sockets according to the service information for this product. If not, correct that problem.
 4. Check IBM support site for an applicable service bulletin or firmware update that applies to this Processor error.
 5. (Trained Service technician only) Replace mismatching processor. Inspect Processor socket and replace the system board first if socket is damaged.
- **I.18005: [I.18005] A discrepancy has been detected in the number of cores reported by one or more processor packages within the system.**

[I.18005] A discrepancy has been detected in the number of cores reported by one or more processor packages within the system.

Severity: Error

User Response:

Complete the following steps:

1. If this is a newly installed option, ensure that matching Processors are installed in the correct Processor sockets according to the service information for this product.
 2. Check IBM support site for an applicable service bulletin that applies to this Processor error.
 3. (Trained Service technician only) Replace Processor. Inspect Processor socket and replace the system board first if socket is damaged.
- **I.18006: [I.18006] A mismatch between the maximum allowed QPI link speed has been detected for one or more processor packages.**

[I.18006] A mismatch between the maximum allowed QPI link speed has been detected for one or more processor packages.

Severity: Error

User Response:

Complete the following steps:

1. If this is a newly installed option, ensure that matching Processor CPUs are installed in the correct ProcessorCPU sockets according to the service information for this product
 2. Check IBM support site for an applicable retain tipservice bulletin or firmware update that applies to this Processor error.
 3. (Trained Service technician only) Replace Processor. Inspect Processor socket and replace the system board first if socket is damaged.
- **I.18007: [I.18007] A power segment mismatch has been detected for one or more processor packages.**

[I.18007] A power segment mismatch has been detected for one or more processor packages.

Severity: Error

User Response:

Complete the following steps:

1. Processors installed do not have the same power requirements
2. Ensure that all Processors have matching power requirements (such as 65, 95, or 130 Watts)
3. If power requirements match, check IBM support site for an applicable service bulletin or firmware update that applies to this Processor error.
4. (Trained Service technician only) Replace Processor. Inspect Processor socket and replace the system board first if socket is damaged

- **I.18008: [I.18008] A mismatch has been detected between Processors frequency and DDR3 DIMMs frequency.**

[I.18008] A mismatch has been detected between Processors frequency and DDR3 DIMMs frequency.

Severity: Error

User Response:

Complete the following steps:

1. Verify that matching DIMMs are installed in the correct population sequence, according to the service information for this product. Correct any configuration issues found.
2. (Trained Service technician only) Replace associated Processor. Inspect Processor socket and replace the system board first if socket is damaged

- **I.18009: [I.18009] A core speed mismatch has been detected for one or more processor packages.**

[I.18009] A core speed mismatch has been detected for one or more processor packages.

Severity: Error

User Response:

Complete the following steps:

1. Verify that matching processors are installed in the correct processor sockets according to the service information for this product. Correct any mismatch issues found.
2. Check IBM support site for an applicable service bulletin or firmware update that applies to this Processor error.
3. (Trained Service technician only) Replace Processor. Inspect Processor socket and replace the system board first if socket is damaged.

- **I.1800A: [I.1800A] A mismatch has been detected between the speed at which a QPI link has trained between two or more processor packages.**

[I.1800A] A mismatch has been detected [between the speed at which a QPI link has trained between two or more processor packages.

Severity: Error

User Response:

Complete the following steps:

1. Verify that the Processor is a valid option that is listed as a Server Proven device for this system. If not, remove the Processor and install a Server Proven one.
2. Verify that matching Processors are installed in the correct Processor sockets according to the service information for this product. Correct any mismatch found.
3. Check IBM support site for an applicable service bulletin or firmware update that applies to this processor error.
4. (Trained Service technician only) Replace the Processor. Inspect Processor socket and replace the system board first if socket is damaged

- **I.1800B: [I.1800B] A cache size mismatch has been detected for one or more processor packages.**

[I.1800B] A cache size mismatch has been detected for one or more processor packages.

Severity: Error

User Response:

Complete the following steps:

1. Verify that matching processors are installed in the correct processor sockets according to the service information for this product. Correct any mismatch found.
2. Check IBM support site for an applicable service bulletin or firmware update that applies to this Processor error.
3. (Trained Service technician only) Replace the system board.

- **I.1800C: [I.1800C] A cache type mismatch has been detected for one or more processor packages.**

[I.1800C] A cache type mismatch has been detected for one or more processor packages.

Severity: Error

User Response:

Complete the following steps:

1. Verify that matching Processors are installed in the correct Processor sockets according to the service information for this product.
2. Check IBM support site for an applicable service bulletin or firmware update that applies to this Processor error.
3. (Trained Service technician only) Replace the system board.

- **I.1800D: [I.1800D] A cache associativity mismatch has been detected for one or more processor packages.**

[I.1800D] A cache associativity mismatch has been detected for one or more processor packages.

Severity: Error

User Response:

Complete the following steps:

1. Verify that matching Processors are installed in the correct Processor sockets according to the service information for this product.
2. Check IBM support site for an applicable service bulletin or firmware update that applies to this Processor error.
3. (Trained Service technician only) Replace the system board.

- **I.1800E: [I.1800E] A processor model mismatch has been detected for one or more processor packages.**

[I.1800E] A processor model mismatch has been detected for one or more processor packages.

Severity: Error

User Response:

Complete the following steps:

1. Verify that matching Processors are installed in the correct Processor sockets according to the service information for this product.
2. Check IBM support site for an applicable service bulletin or firmware update that applies to this Processor error.

3. (Trained Service technician only) Replace the system board.

- **I.1800F: [I.1800F] A processor family mismatch has been detected for one or more processor packages.**

[I.1800F] A processor family mismatch has been detected for one or more processor packages.

Severity: Error

User Response:

Complete the following steps:

1. Verify that matching Processors are installed in the correct Processor sockets according to the service information for this product
2. Check IBM support site for an applicable service bulletin or firmware update that applies to this Processor error.
3. (Trained Service technician only) Replace the system board.

- **I.18010: [I.18010] A processor stepping mismatch has been detected for one or more processor packages.**

[I.18010] A processor stepping mismatch has been detected for one or more processor packages.

Severity: Error

User Response:

Complete the following steps:

1. Verify that matching Processors are installed in the correct Processor sockets according to the service information for this product.
2. Check IBM support site for an applicable service bulletin or firmware update that applies to this Processor error.
3. (Trained Service technician only) Replace the system board.

- **I.2018002: [I.2018002] The device found at Bus % Device % Function % could not be configured due to resource constraints. The Vendor ID for the device is % and the Device ID is %.**

[I.2018002] The device found at Bus % Device % Function % could not be configured due to resource constraints. The Vendor ID for the device is % and the Device ID is %.

Severity: Info

User Response:

Complete the following steps:

1. If this PCIe device and/or any attached cables were recently installed, moved, serviced or upgraded, reseal adapter and any attached cables.
2. Check IBM support site for any applicable service bulletin or UEFI or adapter firmware update that applies to this error. NOTE: It may be necessary to disable unused option ROMs from UEFI F1 setup or ASU or using adapter manufacturer utilities so that adapter firmware can be updated.
3. Move card to a different slot. If slot not available or error re-occurs, replace adapter.
4. (Trained Service technician only) If adapter was moved to a different slot and error did not re-occur, verify that this is not a system limitation and then replace the system board. Also, if this is not the initial installation and the error persists after adapter replacement, replace system board.

- **I.2018003: [I.2018003] A bad option ROM checksum was detected for the device found at Bus % Device % Function %. The Vendor ID for the device is % and the Device ID is %.**

[I.2018003] A bad option ROM checksum was detected for the device found at Bus % Device % Function %. The Vendor ID for the device is % and the Device ID is %.

Severity: Error

User Response:

Complete the following steps:

1. If this PCIe device and/or any attached cables were recently installed, moved, serviced or upgraded, reseal adapter and any attached cables.
2. Move adapter to a different system slot, if available.
3. Check IBM support site for any applicable service bulletin or UEFI or adapter firmware update that applies to this error. NOTE: It may be necessary to configure slot to Gen1 or to use special utility software so that adapter firmware can be upgraded. Gen1/Gen2 settings can be configured via F1 Setup -> System Settings -> Devices and I/O Ports -> PCIe Gen1/Gen2/Gen3 Speed Selection, or the ASU Utility.
4. Replace adapter.

- **I.3048005: [I.3048005] UEFI has booted from the backup flash bank.**

[I.3048005] UEFI has booted from the backup flash bank.

Severity: Info

User Response:

Complete the following steps:

1. Refer to service information for this product section on UEFI Recovery to return system to primary bank.

- **I.3808004: [I.3808004] The IMM System Event log (SEL) is full.**

[I.3808004] The IMM System Event log (SEL) is full.

Severity: Info

User Response:

Complete the following steps:

1. Use IMM Web Interface to clear event log.
2. If IMM communication is unavailable, use F1 Setup to access System Event Logs Menu and Choose Clear IMM System Event Log and Restart Server.

- **I.3818001: [I.3818001] The firmware image capsule signature for the currently booted flash bank is invalid.**

[I.3818001] The firmware image capsule signature for the currently booted flash bank is invalid.

Severity: Info

User Response:

Complete the following steps:

1. Reboot system. Will come up on backup UEFI image. Reflash the primary UEFI image.
2. If error does not persist no additional recovery action is required.
3. If error persists, or boot is unsuccessful, (Trained service technician only) Replace the system board.

- **I.3818002: [I.3818002] The firmware image capsule signature for the non-booted flash bank is invalid.**

[I.3818002] The firmware image capsule signature for the non-booted flash bank is invalid.

Severity: Info

User Response:

Complete the following steps:

1. Reflash backup UEFI image.
2. If error does not persist no additional recovery action is required.
3. If error persists, or boot is unsuccessful, (Trained service technician only) Replace the system board.

- **I.3818003: [I.3818003] The CRTM flash driver could not lock the secure flash region.**

[I.3818003] The CRTM flash driver could not lock the secure flash region.

Severity: Info

User Response:

Complete the following steps:

1. If system failed to boot successfully, DC cycle system.
2. If system boots to F1 setup, flash UEFI image and reset bank to primary (if required). If system boots without error, recovery is complete and no additional action is required.
3. If system fails to boot, or if flash attempt fails, (Trained service technician only) Replace the system board.

- **I.58015: [I.58015] Memory spare copy initiated.**

[I.58015] Memory spare copy initiated.

Severity: Info

User Response:

Complete the following steps:

1. No user required for this event. This is for informational purposes only.

- **I.580A4: [I.580A4] Memory population change detected.**

[I.580A4] Memory population change detected.

Severity: Info

User Response:

Complete the following steps:

1. Check system event log for uncorrected DIMM failures and replace those DIMMs.

- **I.580A5: [I.580A5] Mirror Fail-over complete. DIMM number % has failed over to to the mirrored copy.**

[I.580A5] Mirror Fail-over complete. DIMM number % has failed over to to the mirrored copy.

Severity: Info

User Response:

Complete the following steps:

1. Check the system-event log for uncorrected DIMM failures and replace those DIMMs.

- **I.580A6: [I.580A6] Memory spare copy has completed successfully.**

[I.580A6] Memory spare copy has completed successfully.

Severity: Info

User Response:

Complete the following steps:

1. Check system log for related DIMM failures and replace those DIMMs.

- **S.1100B: [S.1100B] CATERR(IERR) has asserted on processor %.**

[S.1100B] CATERR(IERR) has asserted on processor %.

Severity: Error

User Response:

Complete the following steps:

1. Check IBM support site for an applicable service bulletin or firmware update that applies to this Processor error.
2. (Trained Service technician only) Replace the Processor.

- **S.1100C: [S.1100C] An uncorrectable error has been detected on processor %.**

[S.1100C] An uncorrectable error has been detected on processor %.

Severity: Error

User Response:

Complete the following steps:

1. Check IBM support site for an applicable service bulletin or firmware update that applies to this error.
2. Reboot system. If problem persists escalate to the next level of support.

- **S.2011001: [S.2011001] An Uncorrected PCIe Error has Occurred at Bus % Device % Function %. The Vendor ID for the device is % and the Device ID is %.**

[S.2011001] An Uncorrected PCIe Error has Occurred at Bus % Device % Function %. The Vendor ID for the device is % and the Device ID is %.

Severity: Error

User Response:

Complete the following steps:

1. If this node and/or any attached cables were recently installed, moved, serviced or upgraded, a. Reseat Adapter and any attached cables. b. Reload Device Driver c. If device is not recognized, reconfiguring slot to Gen1 or Gen2 may be required. Gen1/Gen2 settings can be configured via F1 Setup -> System Settings -> Devices and I/O Ports -> PCIe Gen1/Gen2/Gen3 Speed Selection, or the ASU Utility.
2. Check IBM support site for an applicable device driver, firmware update, revision of service information for this product or other information that applies to this error. Load new device driver and any required firmware updates.
3. If problem persists, then remove Adapter Card. If system reboots successfully without the adapter, replace that card.
4. (Trained Service technician only) Replace the processor.

- **S.2018001: [S.2018001] An Uncorrected PCIe Error has Occurred at Bus % Device % Function %. The Vendor ID for the device is % and the Device ID is %.**

[S.2018001] An Uncorrected PCIe Error has Occurred at Bus % Device % Function %. The Vendor ID for the device is % and the Device ID is %.

Severity: Error

User Response:

Complete the following steps:

1. If this node and/or any attached cables were recently installed, moved, serviced or upgraded, a. Reseat Adapter and any attached cables. b. Reload Device Driver c. If device is not recognized,

reconfiguring slot to Gen1 or Gen2 may be required. Gen1/Gen2 settings can be configured via F1 Setup -> System Settings -> Devices and I/O Ports -> PCIe Gen1/Gen2/Gen3 Speed Selection, or the ASU Utility.

2. Check IBM support site for an applicable device driver, firmware update, version of service information for this product or other information that applies to this error. Load new device driver and any required firmware updates.
3. If problem persists, then remove Adapter Card. If system reboots successfully without the adapter, replace that card.
4. Trained Service technician only) Replace the processor.

- **S.3020007: [S.3020007] A firmware fault has been detected in the UEFI image.**

[S.3020007] A firmware fault has been detected in the UEFI image.

Severity: Error

User Response:

Complete the following steps:

1. Check IBM support site for an applicable service bulletin or firmware update that applies to this error.
2. Reflash UEFI image.
3. (Trained service technician only) Replace the system board.

- **S.3028002: [S.3028002] Boot permission timeout detected.**

[S.3028002] Boot permission timeout detected.

Severity: Error

User Response:

Complete the following steps:

1. Check IMM logs for communication errors and resolve.
2. Reseat system
3. If problem persists escalate to the next level of support

- **S.3030007: [S.3030007] A firmware fault has been detected in the UEFI image.**

[S.3030007] A firmware fault has been detected in the UEFI image.

Severity: Error

User Response:

Complete the following steps:

1. Check IBM support site for an applicable service bulletin or firmware update that applies to this error.
2. Reflash UEFI image.
3. (Trained service technician only) Replace the system board.

- **S.3040007: [S.3040007] A firmware fault has been detected in the UEFI image.**

[S.3040007] A firmware fault has been detected in the UEFI image.

Severity: Error

User Response:

Complete the following steps:

1. Check IBM support site for an applicable service bulletin or firmware update that applies to this error.
2. Reflash UEFI image.

3. (Trained service technician only) Replace the system board.

- **S.3050007: [S.3050007] A firmware fault has been detected in the UEFI image.**

[S.3050007] A firmware fault has been detected in the UEFI image.

Severity: Error

User Response:

Complete the following steps:

1. Check IBM support site for an applicable service bulletin or firmware update that applies to this error.
2. Reflash UEFI image.
3. (Trained service technician only) Replace the system board.

- **S.3058004: [S.3058004] A Three Strike boot failure has occurred. The system has booted with default UEFI settings.**

[S.3058004] A Three Strike boot failure has occurred. The system has booted with default UEFI settings.

Severity: Error

User Response:

Complete the following steps:

1. This event resets UEFI to the default settings for the next boot. If successful, user is forced into F1 setup. Original UEFI settings are still present.
2. If User did not intentionally trigger the reboots, check logs for probable cause.
3. Undo recent system changes (settings or devices added). If not recent system changes, remove all options then remove CMOS battery for 30 seconds to clear CMOS contents. Verify that the system boots. Then, re-install options one at a time to locate the problem.
4. Check IBM support site for an applicable service bulletin or firmware update that applies to this error.
5. Reflash UEFI firmware.
6. Remove and re-install CMOS battery for 30 seconds to clear CMOS contents
7. (Trained service technician only) Replace the system board.

- **S.3060007: [S.3060007] A firmware fault has been detected in the UEFI image.**

[S.3060007] A firmware fault has been detected in the UEFI image.

Severity: Error

User Response:

Complete the following steps:

1. Check IBM support site for an applicable service bulletin or firmware update that applies to this error.
2. Reflash UEFI image.
3. (Trained service technician only) Replace the system board.

- **S.3070007: [S.3070007] A firmware fault has been detected in the UEFI image.**

[S.3070007] A firmware fault has been detected in the UEFI image.

Severity: Error

User Response:

Complete the following steps:

1. Check IBM support site for an applicable service bulletin or firmware update that applies to this error.
2. Reflash UEFI image.

3. (Trained service technician only) Replace the system board.

- **S.3108007: [S.3108007] The default system settings have been restored.**

[S.3108007] The default system settings have been restored.

Severity: Error

User Response:

Complete the following steps:

1. Check IBM support site for an applicable service bulletin or firmware update that applies to this error.

- **S.3818004: [S.3818004] The CRTM flash driver could not successfully flash the staging area. A failure occurred.**

[S.3818004] The CRTM flash driver could not successfully flash the staging area. A failure occurred.

Severity: Error

User Response:

Complete the following steps:

1. Continue booting system. If system does not reset, manually reset the system.
2. If the error is not reported on the subsequent boot, no additional recovery action is required.
3. If the error persists, continue booting system and reflash UEFI image.
4. (Trained service technician only) Replace the system board.

- **S.3818007: [S.3818007] The firmware image capsules for both flash banks could not be verified.**

[S.3818007] The firmware image capsules for both flash banks could not be verified.

Severity: Error

User Response:

Complete the following steps:

1. If system failed to boot successfully, DC cycle system.
2. If system boots to F1 steup, flash UEFI image and reset bank to primary (if required). If system boots without error, recovery is complete and no additional action is required.
3. If system fails to boot, or if flash attempt fails, (Trained service technician only) Replace the system board.

- **S.51003: [S.51003] An uncorrectable memory error was detected in DIMM slot % on rank %.**
[S.51003] An uncorrectable memory error was detected on processor % channel %. The failing DIMM within the channel could not be determined. [S.51003] An uncorrectable memory error has been detected during POST.

[S.51003] An uncorrectable memory error was detected in DIMM slot % on rank %. [S.51003] An uncorrectable memory error was detected on processor % channel %. The failing DIMM within the channel could not be determined. [S.51003] An uncorrectable memory error has been detected during POST.

Severity: Error

User Response:

Complete the following steps:

1. If the node has recently been installed, moved, serviced, or upgraded, verify that the DIMM is properly seated and visually verify that there is no foreign material in any DIMM connector on that memory channel. If either of these conditions is found, correct and retry with the same DIMM. (Note:

Event Log may contain a recent 00580A4 event denoting detected change in DIMM population that could be related to this problem.)

2. If no problem is observed on the DIMM connectors or the problem persists, replace the DIMM identified by LightPath and/or event log entry.
 3. If problem re-occurs on the same DIMM connector, replace the other DIMMs on the same memory channel.
 4. Check IBM support site for an applicable service bulletin or firmware update that applies to this memory error.
 5. (Trained Service technician only) If problem re-occurs on the same DIMM connector, inspect connector for damage. If found, replace system board.
 6. (Trained Service technician only) Replace affected Processor.
 7. (Trained Service technician only) Replace system board.
- **S.51006: [S.51006] A memory mismatch has been detected. Please verify that the memory configuration is valid.**

[S.51006] A memory mismatch has been detected. Please verify that the memory configuration is valid.

Severity: Error

User Response:

Complete the following steps:

1. Could follow an uncorrectable memory error or failed memory test. Check log and service that event first. DIMMs disabled by other errors or actions could cause this event.
 2. Verify that the DIMMs are installed in the correct population sequence, according to the service information for this product.
 3. Disable memory mirroring and sparing. If this action eliminates the mismatch, check IBM Support site for information related to this problem.
 4. Reflash UEFI firmware.
 5. Replace DIMM
 6. (Trained Service technician only) Replace Processor.
- **S.51009: [S.51009] No system memory has been detected.**

[S.51009] No system memory has been detected.

Severity: Error

User Response:

Complete the following steps:

1. Make sure that one or more DIMMs are installed in the server.
 2. If no memory fault is recorded in the logs and no DIMM connector error LEDs are lit, verify that all DIMM connectors are enabled using the Setup utility or the Advanced Settings Utility (ASU).
 3. Re-Install all DIMMs verifying the correct population sequence, according to the service information for this product.
 4. (Trained service technician only) Replace the processor.
 5. (Trained service technician only) Replace the system board.
- **S.58008: [S.58008] A DIMM has failed the POST memory test.**

[S.58008] A DIMM has failed the POST memory test.

Severity: Error

User Response:

Complete the following steps:

1. You must AC-cycle the system to re-enable affected DIMM connector or re-enable manually using F1 setup
 2. If the node has been recently installed, serviced, moved, or upgraded, check to ensure that DIMMs are firmly seated and that no foreign material can be seen in the DIMM connector. If either condition is observed, correct and retry with the same DIMM. (Note: Event Log may contain a recent 00580A4 event denoting detected change in DIMM population that could be related to this problem.)
 3. If problem persists, replace the DIMM identified by LightPath and/or event log entry.
 4. If problem re-occurs on the same DIMM connector, swap the other DIMMs on the same memory channel across channels one at a time to a different memory channel or Processor. (check service information for this product/Install guide for population requirements for sparing/paring modes). If problem follows a moved DIMM to a different memory channel, replace that DIMM.
 5. Check IBM support site for an applicable service bulletin or firmware update that applies to this memory error.
 6. (Trained service technician only) If problem stays with the original DIMM connector, re-inspect DIMM connector for foreign material and remove, if found. If connector is damaged, replace system board.
 7. (Trained service technician only) Remove affected Processor and inspect Processor socket pins for damaged or mis-aligned pins. If damage is found, or this is an upgrade Processor, replace system board. If there are multiple Processor's, swap Processor's to move affected Processor to another Processor socket and retry. If problem follows the affected Processor (or there is only one Processor), replace the affected Processor.
 8. (Trained Service technician only) Replace the system board.
- **S.68005: [S.68005] An error has been detected by the the IIO core logic on Bus %. The Global Fatal Error Status register contains %. The Global Non-Fatal Error Status register contains %. Please check error logs for the presence of additional downstream device error data.**

[S.68005] An error has been detected by the the IIO core logic on Bus %. The Global Fatal Error Status register contains %. The Global Non-Fatal Error Status register contains %. Please check error logs for the presence of additional downstream device error data.

Severity: Error

User Response:

Complete the following steps:

1. Check log for a separate error for an associated PCIe device and service that error.
 2. Check IBM support site for an applicable service bulletin or firmware update for the system or adapter that applies to this error.
 3. (Trained Service technician only) Replace the system board.
- **S.680B8: [S.680B8] Internal QPI Link Failure Detected.**

[S.680B8] Internal QPI Link Failure Detected.

Severity: Error

User Response:

Complete the following steps:

1. Check IBM support site for an applicable service bulletin or firmware update that applies to this error.
2. Inspect processor socket for foreign debris or damage. If debris is found remove debris.
3. If error recurs, or socket damage is found, replace the system board (Trained Service technician only)

4. (Trained Service Technician Only) Replace the processor.

- **S.680B9: [S.680B9] External QPI Link Failure Detected.**

[S.680B9] External QPI Link Failure Detected.

Severity: Error

User Response:

Complete the following steps:

1. Check IBM support site for an applicable service bulletin or firmware update that applies to this error.
2. Inspect processor socket for foreign debris or damage. If debris is found remove debris.
3. If error recurs, or socket damage is found, replace the system board (Trained Service technician only)

- **W.11004: [W.11004] A processor within the system has failed the BIST.**

[W.11004] A processor within the system has failed the BIST.

Severity: Error

User Response:

Complete the following steps:

1. If the Processor or firmware was just updated, check IBM support site for an applicable service bulletin or firmware update that applies to this Processor error.
2. (Trained service technician only) If there are multiple Processor's, swap Processor's to move affected Processor to another Processor socket and retry. If problem follows the affected Processor, or this is a single Processor system, replace the Processor. Inspect Processor socket on each Processor removal and replace system board first if damaged or mis-aligned pins are found.
3. (Trained Service technician only) Replace the system board.

- **W.3048006: [W.3048006] UEFI has booted from the backup flash bank due to an Automatic Boot Recovery (ABR) event.**

[W.3048006] UEFI has booted from the backup flash bank due to an Automatic Boot Recovery (ABR) event.

Severity: Warning

User Response:

Complete the following steps:

1. Check IBM support site for an applicable service bulletin or firmware update that applies to this error.
2. Reflash Primary UEFI image. Refer to UEFI Recovery section of service information for this product.
3. (Trained service technician only) Replace the system board.

- **W.305000A: [W.305000A] An invalid date and time have been detected.**

[W.305000A] An invalid date and time have been detected.

Severity: Warning

User Response:

Complete the following steps:

1. Check IMM/chassis event log. This event should immediately precede 0068002 error. Service that event or any other battery related errors.
2. Use F1 Setup to reset date and time. If problem returns after a system reset, replace CMOS battery.

3. If problem persists then check IBM support site for an applicable service bulletin or firmware update that applies to this error.
4. Trained Service technician only) Replace the system board.

- **W.3058009: [W.3058009] DRIVER HEALTH PROTOCOL: Missing Configuraiton. Requires Change Settings From F1.**

[W.3058009] DRIVER HEALTH PROTOCOL: Missing Configuraiton. Requires Change Settings From F1.

Severity: Warning

User Response:

Complete the following steps:

1. Go to System Settings > Settings > Driver Health Status List and find a driver/controller reporting Configuration Required status.
2. Search for the driver menu from System Settings and change settings appropriately.
3. Save settings and restart system.

- **W.305800A: [W.305800A] DRIVER HEALTH PROTOCOL: Reports 'Failed' Status Controller.**

[W.305800A] DRIVER HEALTH PROTOCOL: Reports 'Failed' Status Controller.

Severity: Warning

User Response:

Complete the following steps:

1. Reboot the system.
2. If problem persists, switch to backup UEFI or reflash current UEFI image.
3. (Trained Service Technician Only) Replace system board.

- **W.305800B: [W.305800B] DRIVER HEALTH PROTOCOL: Reports 'Reboot' Required Controller.**

[W.305800B] DRIVER HEALTH PROTOCOL: Reports 'Reboot' Required Controller.

Severity: Warning

User Response:

Complete the following steps:

1. No action required – system will reboot at the end of POST.
2. If problem persists, switch to backup UEFI or reflash current UEFI image.
3. (Trained Service Technician Only) Replace system board.

- **W.305800C: [W.305800C] DRIVER HEALTH PROTOCOL: Reports 'System Shutdown' Required Controller.**

[W.305800C] DRIVER HEALTH PROTOCOL: Reports 'System Shutdown' Required Controller.

Severity: Warning

User Response:

Complete the following steps:

1. Reboot the system.
2. If problem persists, switch to backup UEFI or reflash current UEFI image.
3. (Trained Service Technician Only) Replace system board.

- **W.305800D: [W.305800D] DRIVER HEALTH PROTOCOL: Disconnect Controller Failed. Requires 'Reboot'.**

[W.305800D] DRIVER HEALTH PROTOCOL: Disconnect Controller Failed. Requires 'Reboot'.

Severity: Warning

User Response:

Complete the following steps:

1. Reboot the system to reconnect the controller.
2. If problem persists, switch to backup UEFI or reflash current UEFI image.
3. (Trained Service Technician Only) Replace system board.

- **W.305800E: [W.305800E] DRIVER HEALTH PROTOCOL: Reports Invalid Health Status Driver.**

[W.305800E] DRIVER HEALTH PROTOCOL: Reports Invalid Health Status Driver.

Severity: Warning

User Response:

Complete the following steps:

1. Reboot the system.
2. If problem persists, switch to backup UEFI or reflash current UEFI image.
3. (Trained Service Technician Only) Replace system board.

- **W.3808000: [W.3808000] An IMM communication failure has occurred.**

[W.3808000] An IMM communication failure has occurred.

Severity: Warning

User Response:

Complete the following steps:

1. Reset IMM.
2. Remove AUX power from the system. This will reboot the entire system.
3. Check IBM support site for an applicable service bulletin or firmware update that applies to this error.
4. Reflash UEFI Firmware.
5. (Trained service technician only) Replace the system board.

- **W.3808002: [W.3808002] An error occurred while saving UEFI settings to the IMM.**

[W.3808002] An error occurred while saving UEFI settings to the IMM.

Severity: Warning

User Response:

Complete the following steps:

1. Use F1 Setup, Verify Settings and Save Settings to recover settings.
2. Reset IMM.
3. Remove AUX power from the system. This will reboot the entire system.
4. Check IBM support site for an applicable service bulletin or firmware update that applies to this error.
5. Reflash IMM Firmware.
6. Remove and re-install CMOS battery for 30 seconds to clear CMOS contents.
7. (Trained Service technician only) Replace the system board.

- **W.3808003: [W.3808003] Unable to retrieve the system configuration from the IMM.**

[W.3808003] Unable to retrieve the system configuration from the IMM.

Severity: Warning

User Response:

Complete the following steps:

1. Use F1 Setup, Verify Settings and Save Settings to recover settings.
2. Reset IMM.
3. Remove AUX power from the system. This will reboot the entire system.
4. Check IBM support site for an applicable service bulletin or firmware update that applies to this error.
5. Reflash IMM Firmware.
6. Remove and re-install CMOS battery for 30 seconds to clear CMOS contents.
7. (Trained Service technician only) Replace the system board.

- **W.3818005: [W.3818005] The CRTM flash driver could not successfully flash the staging area. The update was aborted**

[W.3818005] The CRTM flash driver could not successfully flash the staging area. The update was aborted

Severity: Warning

User Response:

Complete the following steps:

1. Continue booting system. If system does not reset, manually reset the system.
2. If the error is not reported on the subsequent boot, no additional recovery action is required.
3. If the event persists, continue booting system and reflash UEFI image.
4. (Trained service technician only) Replace the system board.

- **W.381800D: [W.381800D] TPM physical presence is in asserted state**

[W.381800D] TPM physical presence is in asserted state

Severity: Warning

User Response:

Complete the following steps:

1. Complete any administrative tasks requiring the TPM physical presence switch to be in the "ON" position..
2. Restore the physical presence switch to the "OFF" position and reboot the system.
3. (Trained service technician only) Replace the system board.

- **W.3938002: [W.3938002] A boot configuration error has been detected.**

[W.3938002] A boot configuration error has been detected.

Severity: Warning

User Response:

Complete the following steps:

1. F1 Setup -> Save Settings
2. Retry OOB config update

- **W.50001: [W.50001] A DIMM has been disabled due to an error detected during POST.**

[W.50001] A DIMM has been disabled due to an error detected during POST.

Severity: Info

User Response:

Complete the following steps:

1. If the DIMM was disabled because of a memory fault, follow the procedure for that event.
 2. If no memory fault is recorded in the logs and no DIMM connector error LEDs are lit, re-enable the DIMM through the Setup utility or the Advanced Settings Utility (ASU).
 3. If problem persists, Power cycle the node.
 4. Reset IMM to default settings.
 5. Reset UEFI to default settings.
 6. Reflash IMM and UEFI firmware.
 7. (Trained Service technician only) Replace system board.
- **W.58001: [W.58001] The PFA Threshold limit (correctable error logging limit) has been exceeded on DIMM number % at address %. MC5 Status contains % and MC5 Misc contains %.**

[W.58001] The PFA Threshold limit (correctable error logging limit) has been exceeded on DIMM number % at address %. MC5 Status contains % and MC5 Misc contains %.

Severity: Error

User Response:

Complete the following steps:

1. If the node has recently been installed, moved, serviced, or upgraded, verify that the DIMM is properly seated and visually verify that there is no foreign material in any DIMM connector on that memory channel. If either of these conditions is found, correct and retry with the same DIMM. (Note: Event Log may contain a recent 00580A4 event denoting detected change in DIMM population that could be related to this problem.)
 2. Check IBM support site for an applicable firmware update that applies to this memory error. The release notes will list the known problems the update addresses.
 3. If the previous steps do not resolve the problem, at the next maintenance opportunity, replace the affected DIMM (as indicated by LightPath and/or failure log entry).
 4. If PFA re-occurs on the same DIMM connector, swap the other DIMMs on the same memory channel one at a time to a different memory channel or Processor. (check service information for this product/ Install guide for population requirements for sparing/paring modes). If PFA follows a moved DIMM to any DIMM connector on the different memory channel, replace the moved DIMM.
 5. Check IBM support site for an applicable Service Bulletins (Service bulletins) that applies to this memory error. (Link to IBM support service bulletins)
 6. (Trained service technician only) If problem continues to re-occur on the same DIMM connector, inspect DIMM connector for foreign material and remove, if found. If connector is damaged, replace system board.
 7. (Trained service technician only) Remove affected Processor and inspect Processor socket pins for damaged or mis-aligned pins. If damage is found or Processor is an upgrade part, replace system board.
 8. (Trained Service technician only) Replace affected processor.
 9. (Trained Service technician only) Replace system board.
- **W.58007: [W.58007] Invalid memory configuration (Unsupported DIMM Population) detected. Please verify memory configuration is valid.**

[W.58007] Invalid memory configuration (Unsupported DIMM Population) detected. Please verify memory configuration is valid.

Severity: Error

User Response:

Complete the following steps:

1. Could follow an uncorrectable memory error or failed memory test. Check log and service that event first. DIMMs disabled by other errors or actions could cause this event.
2. Ensure that the DIMM connectors are populated according to the guidelines in the service information for this product.

- **W.580A1: [W.580A1] Invalid memory configuration for Mirror Mode. Please correct memory configuration.**

[W.580A1] Invalid memory configuration for Mirror Mode. Please correct memory configuration.

Severity: Error

User Response:

Complete the following steps:

1. If a DIMM connector error LED is lit, resolve the failure.
2. Make sure that the DIMM connectors are correctly populated for mirroring mode, according to the service information for this product.

- **W.580A2: [W.580A2] Invalid memory configuration for Sparing Mode. Please correct memory configuration.**

[W.580A2] Invalid memory configuration for Sparing Mode. Please correct memory configuration.

Severity: Error

User Response:

Complete the following steps:

1. Make sure that the DIMM connectors are correctly populated for sparing mode, according to the service information for this product.

- **W.68002: [W.68002] A CMOS battery error has been detected**

[W.68002] A CMOS battery error has been detected

Severity: Error

User Response:

Complete the following steps:

1. If the system was recently Installed, Moved, or Serviced, make sure the batter is properly seated.
2. Check IBM support site for an applicable service bulletin or firmware update that applies to this error.
3. Replace CMOS Battery
4. (Trained Service technician only) Replace the system board.

Appendix C. DSA diagnostic test results

After running the DSA diagnostic tests, use this information to resolve any issues that were found.

DSA Broadcom network test results

The following messages can result when you run the Broadcom network test.

Test results for the DSA Broadcom network test

The following messages can result when you run the DSA Broadcom network test.

- **405-000-000 : BCM:TestControlRegisters Test Passed**

The test passed.

Recoverable

No

Severity

Event

Serviceable

No

Automatically notify support

No

Related links

- [Lenovo Support website](#)
- [Latest level of DSA](#)

- **405-001-000 : BCM:TestMIIRegisters Test Passed**

The test passed.

Recoverable

No

Severity

Event

Serviceable

No

Automatically notify support

No

Related links

- [Lenovo Support website](#)
- [Latest level of DSA](#)

- **405-002-000 : BCM:TestEEPROM Test Passed**

The test passed.

Recoverable

No

Severity

Event

Serviceable

No

Automatically notify support

No

Related links

- [Lenovo Support website](#)
- [Latest level of DSA](#)

• **405-003-000 : BCM:TestInternalMemory Test Passed**

The test passed.

Recoverable

No

Severity

Event

Serviceable

No

Automatically notify support

No

Related links

- [Lenovo Support website](#)
- [Latest level of DSA](#)

• **405-004-000 : BCM:TestInterrupt Test Passed**

The test passed.

Recoverable

No

Severity

Event

Serviceable

No

Automatically notify support

No

Related links

- [Lenovo Support website](#)
- [Latest level of DSA](#)

• **405-005-000 : BCM:TestLoopbackMAC Test Passed**

The test passed.

Recoverable

No

Severity

Event

Serviceable

No

Automatically notify support

No

Related links

- [Lenovo Support website](#)
- [Latest level of DSA](#)

• **405-006-000 : BRCM:TestLoopbackPhysical Test Passed**

The test passed.

Recoverable

No

Severity

Event

Serviceable

No

Automatically notify support

No

Related links

- [Lenovo Support website](#)
- [Latest level of DSA](#)

• **405-007-000 : BRCM:TestLEDs Test Passed**

The test passed.

Recoverable

No

Severity

Event

Serviceable

No

Automatically notify support

No

Related links

- [Lenovo Support website](#)
- [Latest level of DSA](#)

• **405-800-000 : BRCM:TestControlRegisters Test Aborted**

The control registers test was canceled.

Recoverable

No

Severity

Warning

Serviceable

No

Automatically notify support

No

Related links

- [Lenovo Support website](#)
- [Latest level of DSA](#)

• **405-801-000 : BRCM:TestMIIRegisters Test Aborted**

The MII register test was canceled.

Recoverable

No

Severity

Warning

Serviceable

No

Automatically notify support

No

Related links

- [Lenovo Support website](#)
- [Latest level of DSA](#)

• **405-802-000 : BRCM:TestEEPROM Test Aborted**

The EEPROM test was canceled.

Recoverable

No

Severity

Warning

Serviceable

No

Automatically notify support

No

Related links

- [Lenovo Support website](#)
- [Latest level of DSA](#)

• **405-803-000 : BRCM:TestInternalMemory Test Aborted**

The internal memory test was canceled.

Recoverable

No

Severity

Warning

Serviceable

No

Automatically notify support

No

Related links

- [Lenovo Support website](#)
- [Latest level of DSA](#)

• **405-804-000 : BRCM:TestInterrupt Test Aborted**

The interrupt test was canceled.

Recoverable

No

Severity

Warning

Serviceable

No

Automatically notify support

No

Related links

- [Lenovo Support website](#)
- [Latest level of DSA](#)

• **405-805-000 : BRCM:TestLoopbackMAC Test Aborted**

Loopback testing at the MAC layer was canceled.

Recoverable

No

Severity

Warning

Serviceable

No

Automatically notify support

No

Related links

- [Lenovo Support website](#)
- [Latest level of DSA](#)

• **405-806-000 : BRCM:TestLoopbackPhysical Test Aborted**

Loopback testing at the physical layer was canceled.

Recoverable

No

Severity

Warning

Serviceable

No

Automatically notify support

No

Related links

- [Lenovo Support website](#)
- [Latest level of DSA](#)

• **405-807-000 : BRCM:TestLEDs Test Aborted**

Verification of status LEDs was canceled.

Recoverable

No

Severity

Warning

Serviceable

No

Automatically notify support

No

Related links

- [Lenovo Support website](#)
- [Latest level of DSA](#)

• **405-900-000 : BCM:TestControlRegisters Test Failed**

A failure was detected while testing internal MAC registers

Recoverable

No

Severity

Error

Serviceable

Yes

Automatically notify support

No

User Response

Complete the following steps:

1. Check component firmware level and upgrade if necessary. The installed firmware level can be found in the DSA Diagnostic Event Log within the Firmware/VPD section for this component.
2. Rerun the test.
3. If failure remains, refer to "Troubleshooting by symptom" in the system "Installation and Service Guide" for the next corrective action.

Related links

- [Lenovo Support website](#)
- [Latest level of DSA](#)

• **405-901-000 : BCM:TestMIRegisters Test Failed**

A failure was detected while testing internal PHY registers.

Recoverable

No

Severity

Error

Serviceable

Yes

Automatically notify support

No

User Response

Complete the following steps:

1. Check component firmware level and upgrade if necessary. The installed firmware level can be found in the DSA Diagnostic Event Log within the Firmware/VPD section for this component.
2. Rerun the test.
3. If failure remains, refer to "Troubleshooting by symptom" in the system "Installation and Service Guide" for the next corrective action.

Related links

- [Lenovo Support website](#)
- [Latest level of DSA](#)

- **405-902-000 : BRCM:TestEEPROM Test Failed**

A failure was detected while testing non-volatile RAM.

Recoverable

No

Severity

Error

Serviceable

Yes

Automatically notify support

No

User Response

Complete the following steps:

1. Check component firmware level and upgrade if necessary. The installed firmware level can be found in the DSA Diagnostic Event Log within the Firmware/VPD section for this component.
2. Rerun the test.
3. If failure remains, refer to "Troubleshooting by symptom" in the system "Installation and Service Guide" for the next corrective action.

Related links

- [Lenovo Support website](#)
- [Latest level of DSA](#)

- **405-903-000 : BRCM:TestInternalMemory Test Failed**

A failure was detected while testing internal memory.

Recoverable

No

Severity

Error

Serviceable

Yes

Automatically notify support

No

User Response

Complete the following steps:

1. Check component firmware level and upgrade if necessary. The installed firmware level can be found in the DSA Diagnostic Event Log within the Firmware/VPD section for this component.
2. Rerun the test.
3. If failure remains, refer to "Troubleshooting by symptom" in the system "Installation and Service Guide" for the next corrective action.

Related links

- [Lenovo Support website](#)
- [Latest level of DSA](#)

- **405-904-000 : BRCM:TestInterrupt Test Failed**

A failure was detected while testing interrupts.

Recoverable

No

Severity

Error

Serviceable

Yes

Automatically notify support

No

User Response

Complete the following steps:

1. Check component firmware level and upgrade if necessary. The installed firmware level can be found in the DSA Diagnostic Event Log within the Firmware/VPD section for this component.
2. Rerun the test.
3. If failure remains, refer to "Troubleshooting by symptom" in the system "Installation and Service Guide" for the next corrective action.

Related links

- [Lenovo Support website](#)
- [Latest level of DSA](#)

• **405-905-000 : BRCM:TestLoopbackMAC Test Failed**

BRCM:TestLoopbackMAC Test Failed.

Recoverable

No

Severity

Error

Serviceable

Yes

Automatically notify support

No

User Response

Complete the following steps:

1. Check component firmware level and upgrade if necessary. The installed firmware level can be found in the DSA Diagnostic Event Log within the Firmware/VPD section for this component.
2. Rerun the test.
3. If failure remains, refer to "Troubleshooting by symptom" in the system "Installation and Service Guide" for the next corrective action.

Related links

- [Lenovo Support website](#)
- [Latest level of DSA](#)

• **405-906-000 : BRCM:TestLoopbackPhysical Test Failed**

A failure was detected during the loopback test at the physical layer.

Recoverable

No

Severity

Error

Serviceable

Yes

Automatically notify support

No

User Response

Complete the following steps:

1. Check component firmware level and upgrade if necessary. The installed firmware level can be found in the DSA Diagnostic Event Log within the Firmware/VPD section for this component.
2. Rerun the test.
3. If failure remains, refer to "Troubleshooting by symptom" in the system "Installation and Service Guide" for the next corrective action.

Related links

- [Lenovo Support website](#)
- [Latest level of DSA](#)

• **405-907-000 : BRCM:TestLEDs Test Failed**

A failure was detected while verifying operation of the status LEDs.

Recoverable

No

Severity

Error

Serviceable

Yes

Automatically notify support

No

User Response

Complete the following steps:

1. Check component firmware level and upgrade if necessary. The installed firmware level can be found in the DSA Diagnostic Event Log within the Firmware/VPD section for this component.
2. Rerun the test.
3. If failure remains, refer to "Troubleshooting by symptom" in the system "Installation and Service Guide" for the next corrective action.

Related links

- [Lenovo Support website](#)
- [Latest level of DSA](#)

DSA Brocade test results

The following messages can result when you run the Brocade test.

Test results for the DSA Brocade test

The following messages can result when you run the DSA Brocade test.

• **218-000-000 : Brocade:MemoryTest Passed**

The test passed.

Recoverable

No

Severity

Event

Serviceable

No

Automatically notify support

No

Related links

- [Lenovo Support website](#)
- [Latest level of DSA](#)

- **218-001-000 : Brocade:ExternalLoopbackTest Passed**

The test passed.

Recoverable

No

Severity

Event

Serviceable

No

Automatically notify support

No

Related links

- [Lenovo Support website](#)
- [Latest level of DSA](#)

- **218-002-000 : Brocade:SerdesLoopbackTest Passed**

The test passed.

Recoverable

No

Severity

Event

Serviceable

No

Automatically notify support

No

Related links

- [Lenovo Support website](#)
- [Latest level of DSA](#)

- **218-003-000 : Brocade:PCILoopbackTest Passed**

The test passed.

Recoverable

No

Severity

Event

Serviceable

No

Automatically notify support

No

Related links

- [Lenovo Support website](#)
- [Latest level of DSA](#)

• **218-004-000 : Brocade:ExternalEthLoopbackTest Passed**

The test passed.

Recoverable

No

Severity

Event

Serviceable

No

Automatically notify support

No

Related links

- [Lenovo Support website](#)
- [Latest level of DSA](#)

• **218-005-000 : Brocade:SerdesEthLoopbackTest Passed**

The test passed.

Recoverable

No

Severity

Event

Serviceable

No

Automatically notify support

No

Related links

- [Lenovo Support website](#)
- [Latest level of DSA](#)

• **218-006-000 : Brocade:InternalLoopbackTest Passed**

The test passed.

Recoverable

No

Severity

Event

Serviceable

No

Automatically notify support

No

Related links

- [Lenovo Support website](#)
- [Latest level of DSA](#)

- **218-800-000 : Brocade:MemoryTest Aborted**

The test was canceled.

Recoverable

No

Severity

Warning

Serviceable

No

Automatically notify support

No

Related links

- [Lenovo Support website](#)
- [Latest level of DSA](#)

- **218-801-000 : Brocade:ExternalLoopbackTest Aborted**

The test was canceled.

Recoverable

No

Severity

Warning

Serviceable

No

Automatically notify support

No

Related links

- [Lenovo Support website](#)
- [Latest level of DSA](#)

- **218-802-000 : Brocade:SerdesLoopbackTest Aborted**

The test was canceled.

Recoverable

No

Severity

Warning

Serviceable

No

Automatically notify support

No

Related links

- [Lenovo Support website](#)
- [Latest level of DSA](#)

- **218-803-000 : Brocade:PCILoopbackTest Aborted**

The test was canceled.

Recoverable

No

Severity

Warning

Serviceable

No

Automatically notify support

No

Related links

- [Lenovo Support website](#)
- [Latest level of DSA](#)

- **218-804-000 : Brocade:ExternalEthLoopbackTest Aborted**

The test was canceled.

Recoverable

No

Severity

Warning

Serviceable

No

Automatically notify support

No

Related links

- [Lenovo Support website](#)
- [Latest level of DSA](#)

- **218-805-000 : Brocade:SerdesEthLoopbackTest Aborted**

The test was canceled.

Recoverable

No

Severity

Warning

Serviceable

No

Automatically notify support

No

Related links

- [Lenovo Support website](#)
- [Latest level of DSA](#)

- **218-806-000 : Brocade:InternalLoopbackTest Aborted**

The test was canceled.

Recoverable

No

Severity

Warning

Serviceable

No

Automatically notify support

No

Related links

- [Lenovo Support website](#)
- [Latest level of DSA](#)

- **218-900-000 : Brocade:MemoryTest Failed**

A failure was detected while testing the adapter memory.

Recoverable

No

Severity

Error

Serviceable

Yes

Automatically notify support

No

User Response

Complete the following steps:

1. Rerun the test.
2. Verify whether the firmware is at proper level.
3. Rerun the test.
4. If the problem remains, contact your IBM technical-support representative.

Related links

- [Lenovo Support website](#)
- [Latest level of DSA](#)

- **218-901-000 : Brocade:ExternalLoopbackTest Failed**

A failure was detected during the Loopback test.

Recoverable

No

Severity

Error

Serviceable

Yes

Automatically notify support

No

User Response

Complete the following steps:

1. Check cable connections.
2. Rerun the test.
3. Verify whether the firmware is at proper level.
4. Rerun the test.
5. If the problem remains, contact your IBM technical-support representative.

Related links

- [Lenovo Support website](#)

- [Latest level of DSA](#)

- **218-902-000 : Brocade:SerdesLoopbackTest Failed**

A failure was detected during the Loopback test.

Recoverable

No

Severity

Error

Serviceable

Yes

Automatically notify support

No

User Response

Complete the following steps:

1. Rerun the test.
2. Verify whether the firmware is at proper level.
3. Rerun the test.
4. If the problem remains, contact your IBM technical-support representative.

Related links

- [Lenovo Support website](#)
- [Latest level of DSA](#)

- **218-903-000 : Brocade:PCILoopbackTest Failed**

A failure was detected during the Loopback test.

Recoverable

No

Severity

Error

Serviceable

Yes

Automatically notify support

No

User Response

Complete the following steps:

1. Rerun the test.
2. Verify whether the firmware is at proper level.
3. Rerun the test.
4. If the problem remains, contact your IBM technical-support representative.

Related links

- [Lenovo Support website](#)
- [Latest level of DSA](#)

- **218-904-000 : Brocade:ExternalEthLoopbackTest Failed**

A failure was detected during the Loopback test.

Recoverable

No

Severity

Error

Serviceable

Yes

Automatically notify support

No

User Response

Complete the following steps:

1. Check or replace SFP/cable.
2. Rerun the test.
3. Verify whether the firmware is at proper level.
4. Rerun the test.
5. If the problem remains, contact your IBM technical-support representative.

Related links

- [Lenovo Support website](#)
- [Latest level of DSA](#)

• **218-905-000 : Brocade:SerdesEthLoopbackTest Failed**

A failure was detected during the Loopback test.

Recoverable

No

Severity

Error

Serviceable

Yes

Automatically notify support

No

User Response

Complete the following steps:

1. Rerun the test.
2. Verify whether the firmware is at proper level.
3. Rerun the test.
4. If the problem remains, contact your IBM technical-support representative.

Related links

- [Lenovo Support website](#)
- [Latest level of DSA](#)

• **218-906-000 : Brocade:InternalLoopbackTest Failed**

A failure was detected during the Loopback test.

Recoverable

No

Severity

Error

Serviceable

Yes

Automatically notify support

No

User Response

Complete the following steps:

1. Rerun the test.
2. Verify whether the firmware is at proper level.
3. Rerun the test.
4. If the problem remains, contact your IBM technical-support representative.

Related links

- [Lenovo Support website](#)
- [Latest level of DSA](#)

DSA checkpoint panel test results

The following messages can result when you run the checkpoint panel test.

Test results for the DSA checkpoint panel test

The following messages can result when you run the DSA checkpoint panel test.

- **180-000-000 : Check-point Panel Test Passed**

Check-point Panel Test Passed.

Recoverable

No

Severity

Event

Serviceable

No

Automatically notify support

No

Related links

- [Lenovo Support website](#)
- [Latest level of DSA](#)

- **180-801-000 : Check-point Panel Test Aborted**

Check-point Panel Test Aborted. BMC is unable to verify that the operator information panel cable is connected.

Recoverable

No

Severity

Warning

Serviceable

Yes

Automatically notify support

No

User Response

Complete the following steps:

1. Inspect and reseat operator information panel cable at both ends.
2. Verify that the Baseboard Management Controller (BMC) is working.
3. Run the test again.
4. If failure remains, refer to "Troubleshooting by symptom" in the system "Installation and Service Guide" for the next corrective action.

Related links

- [Lenovo Support website](#)
- [Latest level of DSA](#)

- **180-901-000 : Check-point Panel Test Failed**

Check-point Panel Test Failed. Operator reported incorrect display.

Recoverable

No

Severity

Error

Serviceable

Yes

Automatically notify support

No

User Response

Complete the following steps:

1. Check the operator information panel cabling for loose or broken connections at both ends or damage to the cable.
2. Replace the information panel cable if damage is present.
3. Run the test again.
4. Replace the operator information panel assembly.
5. Run the test again.
6. If failure remains, refer to "Troubleshooting by symptom" in the system "Installation and Service Guide" for the next corrective action.

Related links

- [Lenovo Support website](#)
- [Latest level of DSA](#)

DSA CPU stress test results

The following messages can result when you run the CPU stress test.

Test results for the DSA CPU stress test

The following messages can result when you run the DSA CPU stress test.

- **089-000-000 : CPU Stress Test Passed**

CPU Stress Test Passed.

Recoverable

No

Severity

Event

Serviceable

No

Automatically notify support

No

Related links

- [Lenovo Support website](#)
- [Latest level of DSA](#)

• **089-801-000 : CPU Stress Test Aborted**

CPU Stress Test Aborted. Internal Program Error.

Recoverable

No

Severity

Warning

Serviceable

Yes

Automatically notify support

No

User Response

Complete the following steps:

1. Turn off and restart the system.
2. Make sure that the DSA Diagnostic code is at the latest level.
3. Run the test again.
4. Check system firmware level and upgrade if necessary. The installed firmware level can be found in the DSA Diagnostic Event Log within the Firmware/VPD section for this component. The latest level firmware for this component can be found in reference to this system type at the IBM Support website.
5. Run the test again.
6. If the system has stopped responding, turn off and restart the system and then run the test again.
7. If failure remains, refer to "Troubleshooting by symptom" in the system "Installation and Service Guide" for the next corrective action.

Related links

- [Lenovo Support website](#)
- [Latest level of DSA](#)

• **089-802-000 : CPU Stress Test Aborted**

CPU Stress Test Aborted. System resource unavailability error.

Recoverable

No

Severity

Warning

Serviceable

Yes

Automatically notify support

No

User Response

Complete the following steps:

1. Turn off and restart the system.
2. Make sure that the DSA Diagnostic code is at the latest level.
3. Run the test again.
4. Check system firmware level and upgrade if necessary. The installed firmware level can be found in the DSA Diagnostic Event Log within the Firmware/VPD section for this component.
5. Run the test again.
6. If the system has stopped responding, turn off and restart the system and then run the test again.
7. If failure remains, refer to "Troubleshooting by symptom" in the system "Installation and Service Guide" for the next corrective action.

Related links

- [Lenovo Support website](#)
- [Latest level of DSA](#)

• 089-803-000 : CPU Stress Test Aborted

CPU Stress Test Aborted. Memory size is insufficient to run the test. At least 1GB is required.

Recoverable

No

Severity

Warning

Serviceable

Yes

Automatically notify support

No

Related links

- [Lenovo Support website](#)
- [Latest level of DSA](#)

• 089-804-000 : CPU Stress Test Aborted

CPU Stress Test Aborted. User pressed Ctrl-C.

Recoverable

No

Severity

Warning

Serviceable

Yes

Automatically notify support

No

Related links

- [Lenovo Support website](#)
- [Latest level of DSA](#)

• 089-901-000 : CPU Stress Test Failed

CPU Stress Test Failed.

Recoverable

No

Severity

Error

Serviceable

Yes

Automatically notify support

No

User Response

Complete the following steps:

1. If the system has stopped responding, turn off and restart the system and then run the test again.
2. Make sure that the DSA Diagnostic code is at the latest level.
3. Run the test again.
4. Check system firmware level and upgrade if necessary. The installed firmware level can be found in the DSA Diagnostic Event Log within the Firmware/VPD section for this component.
5. Run the test again.
6. If the system has stopped responding, turn off and restart the system and then run the test again.
7. If failure remains, refer to "Troubleshooting by symptom" in the system "Installation and Service Guide" for the next corrective action.

Related links

- [Lenovo Support website](#)
- [Latest level of DSA](#)

DSA Emulex adapter test results

The following messages can result when you run the Emulex adapter test.

Test results for the DSA Emulex adapter test

The following messages can result when you run the DSA Emulex adapter test.

- **516-000-000 : ELXUCNA: NIC MAC LoopBackTest Passed**

The test passed.

Recoverable

No

Severity

Event

Serviceable

No

Automatically notify support

No

Related links

- [Lenovo Support website](#)
- [Latest level of DSA](#)

- **516-001-000 : ELXUCNA: NIC PHY LoopBackTest Passed**

The test passed.

Recoverable

No

Severity

Event

Serviceable

No

Automatically notify support

No

Related links

- [Lenovo Support website](#)
- [Latest level of DSA](#)

- **516-002-000 : ELXUCNA: ELXUCNA: NIC LED(Beacon)Test Passed**

The test passed.

Recoverable

No

Severity

Event

Serviceable

No

Automatically notify support

No

Related links

- [Lenovo Support website](#)
- [Latest level of DSA](#)

- **516-800-000 : ELXUCNA: NIC MAC LoopBackTest Aborted**

Loopback testing at the MAC layer was canceled.

Recoverable

No

Severity

Warning

Serviceable

No

Automatically notify support

No

Related links

- [Lenovo Support website](#)
- [Latest level of DSA](#)

- **516-801-000 : ELXUCNA: NIC PHY LoopBackTest Aborted**

Loopback testing at the physical layer was canceled.

Recoverable

No

Severity

Warning

Serviceable

No

Automatically notify support

No

Related links

- [Lenovo Support website](#)
- [Latest level of DSA](#)

- **516-802-000 : ELXUCNA: ELXUCNA: NIC LED(Beacon)Test Aborted**

Verification of status LEDs was canceled.

Recoverable

No

Severity

Warning

Serviceable

No

Automatically notify support

No

Related links

- [Lenovo Support website](#)
- [Latest level of DSA](#)

- **516-900-000 : ELXUCNA: NIC MAC LoopBackTest Failed**

A failure was detected during the loopback test at the MAC layer.

Recoverable

No

Severity

Error

Serviceable

Yes

Automatically notify support

No

User Response

Complete the following steps:

1. Check component firmware level and upgrade if necessary. The installed firmware level can be found in the DSA Diagnostic Event Log within the Firmware/VPD section for this component.
2. Rerun the test.
3. If failure remains, refer to "Troubleshooting by symptom" in the system "Installation and Service Guide" for the next corrective action.

Related links

- [Lenovo Support website](#)
- [Latest level of DSA](#)

- **516-901-000 : ELXUCNA: NIC PHY LoopBackTest Failed**

A failure was detected during the loopback test at the physical layer.

Recoverable

No

Severity

Error

Serviceable

Yes

Automatically notify support

No

User Response

Complete the following steps:

1. Check component firmware level and upgrade if necessary. The installed firmware level can be found in the DSA Diagnostic Event Log within the Firmware/VPD section for this component.
2. Rerun the test.
3. If failure remains, refer to "Troubleshooting by symptom" in the system "Installation and Service Guide" for the next corrective action.

Related links

- [Lenovo Support website](#)
- [Latest level of DSA](#)

- **516-902-000 : ELXUCNA: ELXUCNA: NIC LED(Beacon)Test Failed**

A failure was detected while verifying operation of the status LEDs.

Recoverable

No

Severity

Error

Serviceable

Yes

Automatically notify support

No

User Response

Complete the following steps:

1. Check component firmware level and upgrade if necessary. The installed firmware level can be found in the DSA Diagnostic Event Log within the Firmware/VPD section for this component.
2. Rerun the test.
3. If failure remains, refer to "Troubleshooting by symptom" in the system "Installation and Service Guide" for the next corrective action.

Related links

- [Lenovo Support website](#)
- [Latest level of DSA](#)

DSA EXA port ping test results

The following messages can result when you run the EXA port ping test.

Test results for the DSA EXA port ping test

The following messages can result when you run the DSA EXA port ping test.

- **401-000-000 : EXA Port Ping Test Passed**

EXA Port Ping Test Passed.

Recoverable

No

Severity

Event

Serviceable

No

Automatically notify support

No

Related links

- [Lenovo Support website](#)
- [Latest level of DSA](#)

• **401-801-000 : EXA Port Ping Test Aborted**

EXA Port Ping Test Aborted. Unable to get device base address.

Recoverable

No

Severity

Warning

Serviceable

Yes

Automatically notify support

No

User Response

Complete the following steps:

1. Remove power cables, wait for 45 seconds, reconnect and rerun the test.
2. Make sure that the scalability cable connections are as per specification.
3. Make sure that DSA and BIOS/uEFI are at the latest level.
4. If the problem remains, contact your technical-service representative.

Related links

- [Lenovo Support website](#)
- [Latest level of DSA](#)

• **401-802-000 : EXA Port Ping Test Aborted**

EXA Port Ping Test Aborted. Port connections may not be correct.

Recoverable

No

Severity

Warning

Serviceable

Yes

Automatically notify support

No

User Response

Complete the following steps:

1. Remove power cables, wait for 45 seconds, reconnect and rerun the test.
2. Make sure that the scalability cable connections are as per specification.
3. Make sure that DSA and BIOS/uEFI are at the latest level.
4. If the problem remains, contact your technical-service representative.

Related links

- [Lenovo Support website](#)
- [Latest level of DSA](#)

- **401-901-001 : EXA Port Ping Test Failed**

EXA Port Ping Test Failed.

Recoverable

No

Severity

Error

Serviceable

Yes

Automatically notify support

No

User Response

Complete the following steps:

1. Remove power cables, wait for 45 seconds, reconnect and rerun the test.
2. Make sure that the scalability cable connections are as per specification.
3. Check scalability cables for loose connections.
4. Replace the scalability cable(s) for specified port(s).
5. If the problem remains, contact your technical-service representative.

Related links

- [Lenovo Support website](#)
- [Latest level of DSA](#)

DSA hard drive test results

The following messages can result when you run the hard drive test.

Test results for the DSA hard drive test

The following messages can result when you run the DSA hard drive test.

- **217-000-000 : HDD Test Passed**

HDD Stress Test Passed.

Recoverable

No

Severity

Event

Serviceable

No

Automatically notify support

No

Related links

- [Lenovo Support website](#)
- [Latest level of DSA](#)

• 217-800-000 : HDD Test Aborted

HDD Test Aborted. The test was canceled.

Recoverable

No

Severity

Warning

Serviceable

Yes

Automatically notify support

No

User Response

Complete the following steps:

1. Check cable connections.
2. Rerun the test.
3. Verify that Hard drive supports self test and self test logging.
4. If the problem remains, contact your technical-support representative.

Related links

- [Lenovo Support website](#)
- [Latest level of DSA](#)

• 217-900-000 : HDD Test Failed

HDD Test Failed. The hard drive self-test detected a failure.

Recoverable

No

Severity

Error

Serviceable

Yes

Automatically notify support

No

User Response

Complete the following steps:

1. Check cable connections.
2. Rerun the test.
3. Verify the firmware is at the latest level.
4. Rerun the test.
5. If the problem remains, contact your technical-support representative.

Related links

- [Lenovo Support website](#)

- [Latest level of DSA](#)
-

DSA Intel network test results

The following messages can result when you run the Intel network test.

Test results for the DSA Intel network test

The following messages can result when you run the DSA Intel network test.

- **406-000-000 : IANet:Registers Test Passed**

The test passed.

Recoverable

No

Severity

Event

Serviceable

No

Automatically notify support

No

Related links

- [Lenovo Support website](#)
- [Latest level of DSA](#)

- **406-001-000 : IANet:EEPROM Test Passed**

The test passed.

Recoverable

No

Severity

Event

Serviceable

No

Automatically notify support

No

Related links

- [Lenovo Support website](#)
- [Latest level of DSA](#)

- **406-002-000 : IANet:FIFO Test Passed**

The test passed.

Recoverable

No

Severity

Event

Serviceable

No

Automatically notify support

No

Related links

- [Lenovo Support website](#)
- [Latest level of DSA](#)

• **406-003-000 : IANet:Interrupts Test Passed**

The test passed.

Recoverable

No

Severity

Event

Serviceable

No

Automatically notify support

No

Related links

- [Lenovo Support website](#)
- [Latest level of DSA](#)

• **406-004-000 : IANet:Loopback Test Passed**

The test passed.

Recoverable

No

Severity

Event

Serviceable

No

Automatically notify support

No

Related links

- [Lenovo Support website](#)
- [Latest level of DSA](#)

• **406-800-000 : IANet:Registers Test Aborted**

Registers test was canceled.

Recoverable

No

Severity

Warning

Serviceable

No

Automatically notify support

No

Related links

- [Lenovo Support website](#)
- [Latest level of DSA](#)

• **406-801-000 : IANet:EEPROM Test Aborted**

EEPROM test was canceled.

Recoverable

No

Severity

Warning

Serviceable

No

Automatically notify support

No

Related links

- [Lenovo Support website](#)
- [Latest level of DSA](#)

• **406-802-000 : IANet:FIFO Test Aborted**

FIFO test was canceled.

Recoverable

No

Severity

Warning

Serviceable

No

Automatically notify support

No

Related links

- [Lenovo Support website](#)
- [Latest level of DSA](#)

• **406-803-000 : IANet:Interrupts Test Aborted**

Interrupt test was canceled.

Recoverable

No

Severity

Warning

Serviceable

No

Automatically notify support

No

Related links

- [Lenovo Support website](#)
- [Latest level of DSA](#)

• **406-804-000 : IANet:Loopback Test Aborted**

Loopback test was canceled.

Recoverable

No

Severity

Warning

Serviceable

No

Automatically notify support

No

Related links

- [Lenovo Support website](#)
- [Latest level of DSA](#)

• **406-900-000 : IANet:Registers Test Failed**

A failure was detected during the Registers test.

Recoverable

No

Severity

Error

Serviceable

Yes

Automatically notify support

No

User Response

Complete the following steps:

1. Check component firmware level and upgrade if necessary. The installed firmware level can be found in the DSA Diagnostic Event Log within the Firmware/VPD section for this component.
2. Rerun the test.
3. If failure remains, refer to "Troubleshooting by symptom" in the system "Installation and Service Guide" for the next corrective action.

Related links

- [Lenovo Support website](#)
- [Latest level of DSA](#)

• **406-901-000 : IANet:EEPROM Test Failed**

A failure was detected during the EEPROM test.

Recoverable

No

Severity

Error

Serviceable

Yes

Automatically notify support

No

User Response

Complete the following steps:

1. Check component firmware level and upgrade if necessary. The installed firmware level can be found in the DSA Diagnostic Event Log within the Firmware/VPD section for this component.
2. Rerun the test.

3. If failure remains, refer to "Troubleshooting by symptom" in the system "Installation and Service Guide" for the next corrective action.

Related links

- [Lenovo Support website](#)
- [Latest level of DSA](#)

- **406-902-000 : IANet:FIFO Test Failed**

A failure was detected during the FIFO test.

Recoverable

No

Severity

Error

Serviceable

Yes

Automatically notify support

No

User Response

Complete the following steps:

1. Check component firmware level and upgrade if necessary. The installed firmware level can be found in the DSA Diagnostic Event Log within the Firmware/VPD section for this component.
2. Rerun the test.
3. If failure remains, refer to "Troubleshooting by symptom" in the system "Installation and Service Guide" for the next corrective action.

Related links

- [Lenovo Support website](#)
- [Latest level of DSA](#)

- **406-903-000 : IANet:Interrupts Test Failed**

A failure was detected during the Interrupt test.

Recoverable

No

Severity

Error

Serviceable

Yes

Automatically notify support

No

User Response

Complete the following steps:

1. Check component firmware level and upgrade if necessary. The installed firmware level can be found in the DSA Diagnostic Event Log within the Firmware/VPD section for this component.
2. Rerun the test.
3. Check interrupt assignments in the PCI Hardware section of the DSA Diagnostic Log. If the ethernet device is sharing interrupts, if possible modify the interrupt assignments using F1 Setup to assign a unique interrupt to the device.
4. Rerun the test.

5. If failure remains, refer to "Troubleshooting by symptom" in the system "Installation and Service Guide" for the next corrective action.

Related links

- [Lenovo Support website](#)
- [Latest level of DSA](#)

- **406-904-000 : IANet:Loopback Test Failed**

A failure was detected during the Loopback test.

Recoverable

No

Severity

Error

Serviceable

Yes

Automatically notify support

No

User Response

Complete the following steps:

1. Check the Ethernet cable for damage and ensure correct cable type and attachment.
2. Check component firmware level and upgrade if necessary. The installed firmware level can be found in the DSA Diagnostic Event Log within the Firmware/VPD section for this component.
3. Rerun the test.
4. If failure remains, refer to "Troubleshooting by symptom" in the system "Installation and Service Guide" for the next corrective action.

Related links

- [Lenovo Support website](#)
- [Latest level of DSA](#)

DSA LSI hard drive test results

The following messages can result when you run the LSI hard drive test.

Test results for the DSA LSI hard drive test

The following messages can result when you run the DSA LSI hard drive test.

- **407-000-000 : LSIESG:DiskDefaultDiagnostic Test Passed**

The test passed.

Recoverable

No

Severity

Event

Serviceable

No

Automatically notify support

No

Related links

- [Lenovo Support website](#)
- [Latest level of DSA](#)

- **407-800-000 : LSIESG:DiskDefaultDiagnostic Test Aborted**

The test was canceled.

Recoverable

No

Severity

Warning

Serviceable

No

Automatically notify support

No

Related links

- [Lenovo Support website](#)
- [Latest level of DSA](#)

- **407-900-000 : LSIESG:DiskDefaultDiagnostic Test Failed**

The hard drive self-test detected a failure.

Recoverable

No

Severity

Error

Serviceable

Yes

Automatically notify support

No

User Response

Complete the following steps:

1. Check cable connections.
2. Rerun the test.
3. Verify whether the firmware is at the latest level.
4. Rerun the test.
5. If the problem remains, contact your IBM technical-support representative.

Related links

- [Lenovo Support website](#)
- [Latest level of DSA](#)

DSA Mellanox adapter test results

The following messages can result when you run the Mellanox adapter test.

Test results for the DSA Mellanox adapter test

The following messages can result when you run the DSA Mellanox adapter test.

- **408-000-000 : MLNX:MLNX_DiagnosticTestEthernetPort Test Passed**

Port Test Passed.

Recoverable

No

Severity

Event

Serviceable

No

Automatically notify support

No

Related links

- [Lenovo Support website](#)
- [Latest level of DSA](#)

- **408-001-000 : MLNX:MLNX_DiagnosticTestIBPort Test Passed**

Port Test Passed.

Recoverable

No

Severity

Event

Serviceable

No

Automatically notify support

No

Related links

- [Lenovo Support website](#)
- [Latest level of DSA](#)

- **408-800-000 : MLNX:MLNX_DiagnosticTestEthernetPort Test Aborted**

Port Test was canceled.

Recoverable

No

Severity

Warning

Serviceable

No

Automatically notify support

No

Related links

- [Lenovo Support website](#)
- [Latest level of DSA](#)

- **408-801-000 : MLNX:MLNX_DiagnosticTestIBPort Test Aborted**

Port Test was canceled.

Recoverable

No

Severity

Warning

Serviceable

No

Automatically notify support

No

Related links

- [Lenovo Support website](#)
- [Latest level of DSA](#)

- **408-900-000 : MLNX:MLNX_DiagnosticTestEthernetPort Test Failed**

Port Test Failed.

Recoverable

No

Severity

Error

Serviceable

Yes

Automatically notify support

No

User Response

Complete the following steps:

1. Make sure that the physical link of the port under test in the active state.
2. If these condition was met but the test keeps failing the port's adapter might be faulty.
3. Try replacing the adapter and repeating the test.

Related links

- [Lenovo Support website](#)
- [Latest level of DSA](#)

- **408-901-000 : MLNX:MLNX_DiagnosticTestIBPort Test Failed**

Port Test Failed.

Recoverable

No

Severity

Error

Serviceable

Yes

Automatically notify support

No

User Response

Complete the following steps:

1. Make sure that the physical link of the port under test in the active state and a subnet manager running on the fabric to which the port is attached.
2. If these condition was met but the test keeps failing the port's adapter might be faulty.
3. Try replacing the adapter and repeating the test.

Related links

- [Lenovo Support website](#)
- [Latest level of DSA](#)

DSA memory isolation test results

The following messages can result when you run the memory isolation test.

Test results for the DSA memory isolation test

The following messages can result when you run the DSA memory isolation test.

- **201-000-000 : Standalone Memory Test Passed**

Quick/Full Memory Test All CPUs Passed.

Recoverable

No

Severity

Event

Serviceable

No

Automatically notify support

No

Related links

- [Lenovo Support website](#)
- [Latest level of DSA](#)

- **201-000-001 : Standalone Memory Test Passed**

Quick/Full Memory Test CPU 1 Passed.

Recoverable

No

Severity

Event

Serviceable

No

Automatically notify support

No

Related links

- [Lenovo Support website](#)
- [Latest level of DSA](#)

- **201-000-002 : Standalone Memory Test Passed**

Quick/Full Memory Test CPU 2 Passed.

Recoverable

No

Severity

Event

Serviceable

No

Automatically notify support

No

Related links

- [Lenovo Support website](#)
- [Latest level of DSA](#)

• **201-000-003 : Standalone Memory Test Passed**

Quick/Full Memory Test CPU 3 Passed.

Recoverable

No

Severity

Event

Serviceable

No

Automatically notify support

No

Related links

- [Lenovo Support website](#)
- [Latest level of DSA](#)

• **201-000-004 : Standalone Memory Test Passed**

Quick/Full Memory Test CPU 4 Passed.

Recoverable

No

Severity

Event

Serviceable

No

Automatically notify support

No

Related links

- [Lenovo Support website](#)
- [Latest level of DSA](#)

• **201-811-000 : Standalone Memory Test Aborted**

Unable to Locate SMBIOS key "_SM_".

Recoverable

No

Severity

Warning

Serviceable

No

Automatically notify support

No

User Response

Complete the following steps:

1. Perform the actions mentioned one at a time and try the test after each action.
2. If the problem remains, contact your technical-service representative.
3. Turn off the system and disconnect it from power. Wait for 45 seconds. Reseat DIMM(s). Reconnect it to power.
4. Make sure that DSA and BIOS/uEFI are at the latest level.

Related links

- [Lenovo Support website](#)
- [Latest level of DSA](#)

• **201-811-001 : Standalone Memory Test Aborted**

Unable to Locate SMBIOS key "_SM_".

Recoverable

No

Severity

Warning

Serviceable

No

Automatically notify support

No

User Response

Complete the following steps:

1. Perform the actions mentioned one at a time and try the test after each action.
2. If the problem remains, contact your technical-service representative.
3. Turn off the system and disconnect it from power. Wait for 45 seconds. Reseat DIMM(s). Reconnect it to power.
4. Make sure that DSA and BIOS/uEFI are at the latest level.

Related links

- [Lenovo Support website](#)
- [Latest level of DSA](#)

• **201-811-002 : Standalone Memory Test Aborted**

Unable to Locate SMBIOS key "_SM_".

Recoverable

No

Severity

Warning

Serviceable

No

Automatically notify support

No

User Response

Complete the following steps:

1. Perform the actions mentioned one at a time and try the test after each action.
2. If the problem remains, contact your technical-service representative.

3. Turn off the system and disconnect it from power. Wait for 45 seconds. Reseat DIMM(s). Reconnect it to power.
4. Make sure that DSA and BIOS/uEFI are at the latest level.

Related links

- [Lenovo Support website](#)
- [Latest level of DSA](#)

- **201-811-003 : Standalone Memory Test Aborted**

Unable to Locate SMBIOS key "_SM_".

Recoverable

No

Severity

Warning

Serviceable

No

Automatically notify support

No

User Response

Complete the following steps:

1. Perform the actions mentioned one at a time and try the test after each action.
2. If the problem remains, contact your technical-service representative.
3. Turn off the system and disconnect it from power. Wait for 45 seconds. Reseat DIMM(s). Reconnect it to power.
4. Make sure that DSA and BIOS/uEFI are at the latest level.

Related links

- [Lenovo Support website](#)
- [Latest level of DSA](#)

- **201-812-000 : Standalone Memory Test Aborted**

Memory test is not supported for this system.

Recoverable

No

Severity

Warning

Serviceable

No

Automatically notify support

No

User Response

Complete the following steps:

1. Perform the actions mentioned one at a time and try the test after each action.
2. If the problem remains, contact your technical-service representative.
3. Turn off the system and disconnect it from power. Wait for 45 seconds. Reseat DIMM(s). Reconnect it to power.
4. Make sure that DSA and BIOS/uEFI are at the latest level.

Related links

- [Lenovo Support website](#)
- [Latest level of DSA](#)

- **201-812-001 : Standalone Memory Test Aborted**

Memory test is not supported for this system.

Recoverable

No

Severity

Warning

Serviceable

No

Automatically notify support

No

User Response

Complete the following steps:

1. Perform the actions mentioned one at a time and try the test after each action.
2. If the problem remains, contact your technical-service representative.
3. Turn off the system and disconnect it from power. Wait for 45 seconds. Reseat DIMM(s). Reconnect it to power.
4. Make sure that DSA and BIOS/uEFI are at the latest level.

Related links

- [Lenovo Support website](#)
- [Latest level of DSA](#)

- **201-812-002 : Standalone Memory Test Aborted**

Memory test is not supported for this system.

Recoverable

No

Severity

Warning

Serviceable

No

Automatically notify support

No

User Response

Complete the following steps:

1. Perform the actions mentioned one at a time and try the test after each action.
2. If the problem remains, contact your technical-service representative.
3. Turn off the system and disconnect it from power. Wait for 45 seconds. Reseat DIMM(s). Reconnect it to power.
4. Make sure that DSA and BIOS/uEFI are at the latest level.

Related links

- [Lenovo Support website](#)
- [Latest level of DSA](#)

- **201-812-003 : Standalone Memory Test Aborted**

Memory test is not supported for this system.

Recoverable

No

Severity

Warning

Serviceable

No

Automatically notify support

No

User Response

Complete the following steps:

1. Perform the actions mentioned one at a time and try the test after each action.
2. If the problem remains, contact your technical-service representative.
3. Turn off the system and disconnect it from power. Wait for 45 seconds. Reseat DIMM(s). Reconnect it to power.
4. Make sure that DSA and BIOS/uEFI are at the latest level.

Related links

- [Lenovo Support website](#)
- [Latest level of DSA](#)

• **201-813-000 : Standalone Memory Test Aborted**

Chipset Error: Can not turn OFF ECC error reporting in CPU.

Recoverable

No

Severity

Warning

Serviceable

No

Automatically notify support

No

User Response

Complete the following steps:

1. Perform the actions mentioned one at a time and try the test after each action.
2. If the problem remains, contact your technical-service representative.
3. Turn off the system and disconnect it from power. Wait for 45 seconds. Reseat DIMM(s). Reconnect it to power.
4. Make sure that DSA and BIOS/uEFI are at the latest level.

Related links

- [Lenovo Support website](#)
- [Latest level of DSA](#)

• **201-813-001 : Standalone Memory Test Aborted**

Chipset Error: Can not turn OFF ECC error reporting in CPU.

Recoverable

No

Severity

Warning

Serviceable

No

Automatically notify support

No

User Response

Complete the following steps:

1. Perform the actions mentioned one at a time and try the test after each action.
2. If the problem remains, contact your technical-service representative.
3. Turn off the system and disconnect it from power. Wait for 45 seconds. Reseat DIMM(s). Reconnect it to power.
4. Make sure that DSA and BIOS/uEFI are at the latest level.

Related links

- [Lenovo Support website](#)
- [Latest level of DSA](#)

- **201-813-002 : Standalone Memory Test Aborted**

Chipset Error: Can not turn OFF ECC error reporting in CPU.

Recoverable

No

Severity

Warning

Serviceable

No

Automatically notify support

No

User Response

Complete the following steps:

1. Perform the actions mentioned one at a time and try the test after each action.
2. If the problem remains, contact your technical-service representative.
3. Turn off the system and disconnect it from power. Wait for 45 seconds. Reseat DIMM(s). Reconnect it to power.
4. Make sure that DSA and BIOS/uEFI are at the latest level.

Related links

- [Lenovo Support website](#)
- [Latest level of DSA](#)

- **201-813-003 : Standalone Memory Test Aborted**

Chipset Error: Can not turn OFF ECC error reporting in CPU.

Recoverable

No

Severity

Warning

Serviceable

No

Automatically notify support

No

User Response

Complete the following steps:

1. Perform the actions mentioned one at a time and try the test after each action.
2. If the problem remains, contact your technical-service representative.
3. Turn off the system and disconnect it from power. Wait for 45 seconds. Reseat DIMM(s). Reconnect it to power.
4. Make sure that DSA and BIOS/uEFI are at the latest level.

Related links

- [Lenovo Support website](#)
- [Latest level of DSA](#)

• **201-814-000 : Standalone Memory Test Aborted**

Chipset Error: Can not disable Scubbing feature for CPU.

Recoverable

No

Severity

Warning

Serviceable

No

Automatically notify support

No

User Response

Complete the following steps:

1. Perform the actions mentioned one at a time and try the test after each action.
2. If the problem remains, contact your technical-service representative.
3. Turn off the system and disconnect it from power. Wait for 45 seconds. Reseat DIMM(s). Reconnect it to power.
4. Make sure that DSA and BIOS/uEFI are at the latest level.

Related links

- [Lenovo Support website](#)
- [Latest level of DSA](#)

• **201-814-001 : Standalone Memory Test Aborted**

Chipset Error: Can not disable Scubbing feature for CPU.

Recoverable

No

Severity

Warning

Serviceable

No

Automatically notify support

No

User Response

Complete the following steps:

1. Perform the actions mentioned one at a time and try the test after each action.
2. If the problem remains, contact your technical-service representative.
3. Turn off the system and disconnect it from power. Wait for 45 seconds. Reseat DIMM(s). Reconnect it to power.
4. Make sure that DSA and BIOS/uEFI are at the latest level.

Related links

- [Lenovo Support website](#)
- [Latest level of DSA](#)

- **201-814-002 : Standalone Memory Test Aborted**

Chipset Error: Can not disable Scubbing feature for CPU.

Recoverable

No

Severity

Warning

Serviceable

No

Automatically notify support

No

User Response

Complete the following steps:

1. Perform the actions mentioned one at a time and try the test after each action.
2. If the problem remains, contact your technical-service representative.
3. Turn off the system and disconnect it from power. Wait for 45 seconds. Reseat DIMM(s). Reconnect it to power.
4. Make sure that DSA and BIOS/uEFI are at the latest level.

Related links

- [Lenovo Support website](#)
- [Latest level of DSA](#)

- **201-814-003 : Standalone Memory Test Aborted**

Chipset Error: Can not disable Scubbing feature for CPU.

Recoverable

No

Severity

Warning

Serviceable

No

Automatically notify support

No

User Response

Complete the following steps:

1. Perform the actions mentioned one at a time and try the test after each action.

2. If the problem remains, contact your technical-service representative.
3. Turn off the system and disconnect it from power. Wait for 45 seconds. Reseat DIMM(s). Reconnect it to power.
4. Make sure that DSA and BIOS/uEFI are at the latest level.

Related links

- [Lenovo Support website](#)
- [Latest level of DSA](#)

- **201-815-000 : Standalone Memory Test Aborted**

Program Error with Quick Memory Menu Option Selection.

Recoverable

No

Severity

Warning

Serviceable

No

Automatically notify support

No

User Response

Complete the following steps:

1. Perform the actions mentioned one at a time and try the test after each action.
2. If the problem remains, contact your technical-service representative.
3. Turn off the system and disconnect it from power. Wait for 45 seconds. Reseat DIMM(s). Reconnect it to power.
4. Make sure that DSA and BIOS/uEFI are at the latest level.

Related links

- [Lenovo Support website](#)
- [Latest level of DSA](#)

- **201-815-001 : Standalone Memory Test Aborted**

Program Error with Quick Memory Menu Option Selection.

Recoverable

No

Severity

Warning

Serviceable

No

Automatically notify support

No

User Response

Complete the following steps:

1. Perform the actions mentioned one at a time and try the test after each action.
2. If the problem remains, contact your technical-service representative.
3. Turn off the system and disconnect it from power. Wait for 45 seconds. Reseat DIMM(s). Reconnect it to power.

4. Make sure that DSA and BIOS/uEFI are at the latest level.

Related links

- [Lenovo Support website](#)
- [Latest level of DSA](#)

- **201-815-002 : Standalone Memory Test Aborted**

Program Error with Quick Memory Menu Option Selection.

Recoverable

No

Severity

Warning

Serviceable

No

Automatically notify support

No

User Response

Complete the following steps:

1. Perform the actions mentioned one at a time and try the test after each action.
2. If the problem remains, contact your technical-service representative.
3. Turn off the system and disconnect it from power. Wait for 45 seconds. Reseat DIMM(s). Reconnect it to power.
4. Make sure that DSA and BIOS/uEFI are at the latest level.

Related links

- [Lenovo Support website](#)
- [Latest level of DSA](#)

- **201-815-003 : Standalone Memory Test Aborted**

Program Error with Quick Memory Menu Option Selection.

Recoverable

No

Severity

Warning

Serviceable

No

Automatically notify support

No

User Response

Complete the following steps:

1. Perform the actions mentioned one at a time and try the test after each action.
2. If the problem remains, contact your technical-service representative.
3. Turn off the system and disconnect it from power. Wait for 45 seconds. Reseat DIMM(s). Reconnect it to power.
4. Make sure that DSA and BIOS/uEFI are at the latest level.

Related links

- [Lenovo Support website](#)

- [Latest level of DSA](#)

- **201-816-000 : Standalone Memory Test Aborted**

Program Error with Full Memory Menu Option Selection.

Recoverable

No

Severity

Warning

Serviceable

No

Automatically notify support

No

User Response

Complete the following steps:

1. Perform the actions mentioned one at a time and try the test after each action.
2. If the problem remains, contact your technical-service representative.
3. Turn off the system and disconnect it from power. Wait for 45 seconds. Reseat DIMM(s). Reconnect it to power.
4. Make sure that DSA and BIOS/uEFI are at the latest level.

Related links

- [Lenovo Support website](#)
- [Latest level of DSA](#)

- **201-816-001 : Standalone Memory Test Aborted**

Program Error with Full Memory Menu Option Selection.

Recoverable

No

Severity

Warning

Serviceable

No

Automatically notify support

No

User Response

Complete the following steps:

1. Perform the actions mentioned one at a time and try the test after each action.
2. If the problem remains, contact your technical-service representative.
3. Turn off the system and disconnect it from power. Wait for 45 seconds. Reseat DIMM(s). Reconnect it to power.
4. Make sure that DSA and BIOS/uEFI are at the latest level.

Related links

- [Lenovo Support website](#)
- [Latest level of DSA](#)

- **201-816-002 : Standalone Memory Test Aborted**

Program Error with Full Memory Menu Option Selection.

Recoverable

No

Severity

Warning

Serviceable

No

Automatically notify support

No

User Response

Complete the following steps:

1. Perform the actions mentioned one at a time and try the test after each action.
2. If the problem remains, contact your technical-service representative.
3. Turn off the system and disconnect it from power. Wait for 45 seconds. Reseat DIMM(s). Reconnect it to power.
4. Make sure that DSA and BIOS/uEFI are at the latest level.

Related links

- [Lenovo Support website](#)
- [Latest level of DSA](#)

- **201-816-003 : Standalone Memory Test Aborted**

Program Error with Full Memory Menu Option Selection.

Recoverable

No

Severity

Warning

Serviceable

No

Automatically notify support

No

User Response

Complete the following steps:

1. Perform the actions mentioned one at a time and try the test after each action.
2. If the problem remains, contact your technical-service representative.
3. Turn off the system and disconnect it from power. Wait for 45 seconds. Reseat DIMM(s). Reconnect it to power.
4. Make sure that DSA and BIOS/uEFI are at the latest level.

Related links

- [Lenovo Support website](#)
- [Latest level of DSA](#)

- **201-818-000 : Standalone Memory Test Aborted**

Unable to Locate SMBIOS key "_SM_".

Recoverable

No

Severity

Warning

Serviceable

No

Automatically notify support

No

User Response

Complete the following steps:

1. Perform the actions mentioned one at a time and try the test after each action.
2. If the problem remains, contact your technical-service representative.
3. Turn off the system and disconnect it from power. Wait for 45 seconds. Reseat DIMM(s). Reconnect it to power.
4. Make sure that DSA and BIOS/uEFI are at the latest level.

Related links

- [Lenovo Support website](#)
- [Latest level of DSA](#)

• **201-818-001 : Standalone Memory Test Aborted**

Unable to Locate SMBIOS key "_SM_".

Recoverable

No

Severity

Warning

Serviceable

No

Automatically notify support

No

User Response

Complete the following steps:

1. Perform the actions mentioned one at a time and try the test after each action.
2. If the problem remains, contact your technical-service representative.
3. Turn off the system and disconnect it from power. Wait for 45 seconds. Reseat DIMM(s). Reconnect it to power.
4. Make sure that DSA and BIOS/uEFI are at the latest level.

Related links

- [Lenovo Support website](#)
- [Latest level of DSA](#)

• **201-818-002 : Standalone Memory Test Aborted**

Unable to Locate SMBIOS key "_SM_".

Recoverable

No

Severity

Warning

Serviceable

No

Automatically notify support

No

User Response

Complete the following steps:

1. Perform the actions mentioned one at a time and try the test after each action.
2. If the problem remains, contact your technical-service representative.
3. Turn off the system and disconnect it from power. Wait for 45 seconds. Reseat DIMM(s). Reconnect it to power.
4. Make sure that DSA and BIOS/uEFI are at the latest level.

Related links

- [Lenovo Support website](#)
- [Latest level of DSA](#)

- **201-818-003 : Standalone Memory Test Aborted**

Unable to Locate SMBIOS key "_SM_".

Recoverable

No

Severity

Warning

Serviceable

No

Automatically notify support

No

User Response

Complete the following steps:

1. Perform the actions mentioned one at a time and try the test after each action.
2. If the problem remains, contact your technical-service representative.
3. Turn off the system and disconnect it from power. Wait for 45 seconds. Reseat DIMM(s). Reconnect it to power.
4. Make sure that DSA and BIOS/uEFI are at the latest level.

Related links

- [Lenovo Support website](#)
- [Latest level of DSA](#)

- **201-819-000 : Standalone Memory Test Aborted**

The start-end address ranges in the restricted area of the memory.

Recoverable

No

Severity

Warning

Serviceable

No

Automatically notify support

No

User Response

Complete the following steps:

1. Perform the actions mentioned one at a time and try the test after each action.
2. If the problem remains, contact your technical-service representative.
3. Turn off the system and disconnect it from power. Wait for 45 seconds. Reseat DIMM(s). Reconnect it to power.
4. Make sure that DSA and BIOS/uEFI are at the latest level.

Related links

- [Lenovo Support website](#)
- [Latest level of DSA](#)

• **201-819-001 : Standalone Memory Test Aborted**

The start-end address ranges in the restricted area of the memory.

Recoverable

No

Severity

Warning

Serviceable

No

Automatically notify support

No

User Response

Complete the following steps:

1. Perform the actions mentioned one at a time and try the test after each action.
2. If the problem remains, contact your technical-service representative.
3. Turn off the system and disconnect it from power. Wait for 45 seconds. Reseat DIMM(s). Reconnect it to power.
4. Make sure that DSA and BIOS/uEFI are at the latest level.

Related links

- [Lenovo Support website](#)
- [Latest level of DSA](#)

• **201-819-002 : Standalone Memory Test Aborted**

The start-end address ranges in the restricted area of the memory.

Recoverable

No

Severity

Warning

Serviceable

No

Automatically notify support

No

User Response

Complete the following steps:

1. Perform the actions mentioned one at a time and try the test after each action.
2. If the problem remains, contact your technical-service representative.

3. Turn off the system and disconnect it from power. Wait for 45 seconds. Reseat DIMM(s). Reconnect it to power.
4. Make sure that DSA and BIOS/uEFI are at the latest level.

Related links

- [Lenovo Support website](#)
- [Latest level of DSA](#)

• 201-819-003 : Standalone Memory Test Aborted

The start-end address ranges in the restricted area of the memory.

Recoverable

No

Severity

Warning

Serviceable

No

Automatically notify support

No

User Response

Complete the following steps:

1. Perform the actions mentioned one at a time and try the test after each action.
2. If the problem remains, contact your technical-service representative.
3. Turn off the system and disconnect it from power. Wait for 45 seconds. Reseat DIMM(s). Reconnect it to power.
4. Make sure that DSA and BIOS/uEFI are at the latest level.

Related links

- [Lenovo Support website](#)
- [Latest level of DSA](#)

• 201-820-000 : Standalone Memory Test Aborted

Memory Upper limit is less than 16 Mbytes.

Recoverable

No

Severity

Warning

Serviceable

No

Automatically notify support

No

User Response

Complete the following steps:

1. Perform the actions mentioned one at a time and try the test after each action.
2. If the problem remains, contact your technical-service representative.
3. Turn off the system and disconnect it from power. Wait for 45 seconds. Reseat DIMM(s). Reconnect it to power.
4. Make sure that DSA and BIOS/uEFI are at the latest level.

Related links

- [Lenovo Support website](#)
- [Latest level of DSA](#)

- **201-820-001 : Standalone Memory Test Aborted**

Memory Upper limit is less than 16 Mbytes.

Recoverable

No

Severity

Warning

Serviceable

No

Automatically notify support

No

User Response

Complete the following steps:

1. Perform the actions mentioned one at a time and try the test after each action.
2. If the problem remains, contact your technical-service representative.
3. Turn off the system and disconnect it from power. Wait for 45 seconds. Reseat DIMM(s). Reconnect it to power.
4. Make sure that DSA and BIOS/uEFI are at the latest level.

Related links

- [Lenovo Support website](#)
- [Latest level of DSA](#)

- **201-820-002 : Standalone Memory Test Aborted**

Memory Upper limit is less than 16 Mbytes.

Recoverable

No

Severity

Warning

Serviceable

No

Automatically notify support

No

User Response

Complete the following steps:

1. Perform the actions mentioned one at a time and try the test after each action.
2. If the problem remains, contact your technical-service representative.
3. Turn off the system and disconnect it from power. Wait for 45 seconds. Reseat DIMM(s). Reconnect it to power.
4. Make sure that DSA and BIOS/uEFI are at the latest level.

Related links

- [Lenovo Support website](#)
- [Latest level of DSA](#)

- **201-820-003 : Standalone Memory Test Aborted**

Memory Upper limit is less than 16 Mbytes.

Recoverable

No

Severity

Warning

Serviceable

No

Automatically notify support

No

User Response

Complete the following steps:

1. Perform the actions mentioned one at a time and try the test after each action.
2. If the problem remains, contact your technical-service representative.
3. Turn off the system and disconnect it from power. Wait for 45 seconds. Reseat DIMM(s). Reconnect it to power.
4. Make sure that DSA and BIOS/uEFI are at the latest level.

Related links

- [Lenovo Support website](#)
- [Latest level of DSA](#)

• **201-821-000 : Standalone Memory Test Aborted**

Variable range MTRR registers are larger than fixed range MTRR registers.

Recoverable

No

Severity

Warning

Serviceable

No

Automatically notify support

No

User Response

Complete the following steps:

1. Perform the actions mentioned one at a time and try the test after each action.
2. If the problem remains, contact your technical-service representative.
3. Turn off the system and disconnect it from power. Wait for 45 seconds. Reseat DIMM(s). Reconnect it to power.
4. Make sure that DSA and BIOS/uEFI are at the latest level.

Related links

- [Lenovo Support website](#)
- [Latest level of DSA](#)

• **201-821-001 : Standalone Memory Test Aborted**

Variable range MTRR registers are larger than fixed range MTRR registers.

Recoverable

No

Severity

Warning

Serviceable

No

Automatically notify support

No

User Response

Complete the following steps:

1. Perform the actions mentioned one at a time and try the test after each action.
2. If the problem remains, contact your technical-service representative.
3. Turn off the system and disconnect it from power. Wait for 45 seconds. Reseat DIMM(s). Reconnect it to power.
4. Make sure that DSA and BIOS/uEFI are at the latest level.

Related links

- [Lenovo Support website](#)
- [Latest level of DSA](#)

• 201-821-002 : Standalone Memory Test Aborted

Variable range MTRR registers are larger than fixed range MTRR registers.

Recoverable

No

Severity

Warning

Serviceable

No

Automatically notify support

No

User Response

Complete the following steps:

1. Perform the actions mentioned one at a time and try the test after each action.
2. If the problem remains, contact your technical-service representative.
3. Turn off the system and disconnect it from power. Wait for 45 seconds. Reseat DIMM(s). Reconnect it to power.
4. Make sure that DSA and BIOS/uEFI are at the latest level.

Related links

- [Lenovo Support website](#)
- [Latest level of DSA](#)

• 201-821-003 : Standalone Memory Test Aborted

Variable range MTRR registers are larger than fixed range MTRR registers.

Recoverable

No

Severity

Warning

Serviceable

No

Automatically notify support

No

User Response

Complete the following steps:

1. Perform the actions mentioned one at a time and try the test after each action.
2. If the problem remains, contact your technical-service representative.
3. Turn off the system and disconnect it from power. Wait for 45 seconds. Reseat DIMM(s). Reconnect it to power.
4. Make sure that DSA and BIOS/uEFI are at the latest level.

Related links

- [Lenovo Support website](#)
- [Latest level of DSA](#)

• **201-822-000 : Standalone Memory Test Aborted**

Invalid MTRR service request.

Recoverable

No

Severity

Warning

Serviceable

No

Automatically notify support

No

User Response

Complete the following steps:

1. Perform the actions mentioned one at a time and try the test after each action.
2. If the problem remains, contact your technical-service representative.
3. Turn off the system and disconnect it from power. Wait for 45 seconds. Reseat DIMM(s). Reconnect it to power.
4. Make sure that DSA and BIOS/uEFI are at the latest level.

Related links

- [Lenovo Support website](#)
- [Latest level of DSA](#)

• **201-822-001 : Standalone Memory Test Aborted**

Invalid MTRR service request.

Recoverable

No

Severity

Warning

Serviceable

No

Automatically notify support

No

User Response

Complete the following steps:

1. Perform the actions mentioned one at a time and try the test after each action.
2. If the problem remains, contact your technical-service representative.
3. Turn off the system and disconnect it from power. Wait for 45 seconds. Reseat DIMM(s). Reconnect it to power.
4. Make sure that DSA and BIOS/uEFI are at the latest level.

Related links

- [Lenovo Support website](#)
- [Latest level of DSA](#)

• 201-822-002 : Standalone Memory Test Aborted

Invalid MTRR service request.

Recoverable

No

Severity

Warning

Serviceable

No

Automatically notify support

No

User Response

Complete the following steps:

1. Perform the actions mentioned one at a time and try the test after each action.
2. If the problem remains, contact your technical-service representative.
3. Turn off the system and disconnect it from power. Wait for 45 seconds. Reseat DIMM(s). Reconnect it to power.
4. Make sure that DSA and BIOS/uEFI are at the latest level.

Related links

- [Lenovo Support website](#)
- [Latest level of DSA](#)

• 201-822-003 : Standalone Memory Test Aborted

Invalid MTRR service request.

Recoverable

No

Severity

Warning

Serviceable

No

Automatically notify support

No

User Response

Complete the following steps:

1. Perform the actions mentioned one at a time and try the test after each action.

2. If the problem remains, contact your technical-service representative.
3. Turn off the system and disconnect it from power. Wait for 45 seconds. Reseat DIMM(s). Reconnect it to power.
4. Make sure that DSA and BIOS/uEFI are at the latest level.

Related links

- [Lenovo Support website](#)
- [Latest level of DSA](#)

- **201-824-000 : Standalone Memory Test Aborted**

Node Interleave feature must be OFF. Go to Setup and disable Node Interleave option and then re-run the test.

Recoverable

No

Severity

Warning

Serviceable

No

Automatically notify support

No

User Response

Complete the following steps:

1. Perform the actions mentioned one at a time and try the test after each action.
2. If the problem remains, contact your technical-service representative.
3. Turn off the system and disconnect it from power. Wait for 45 seconds. Reseat DIMM(s). Reconnect it to power.
4. Make sure that DSA and BIOS/uEFI are at the latest level.

Related links

- [Lenovo Support website](#)
- [Latest level of DSA](#)

- **201-824-001 : Standalone Memory Test Aborted**

Node Interleave feature must be OFF. Go to Setup and disable Node Interleave option and then re-run the test.

Recoverable

No

Severity

Warning

Serviceable

No

Automatically notify support

No

User Response

Complete the following steps:

1. Perform the actions mentioned one at a time and try the test after each action.
2. If the problem remains, contact your technical-service representative.

3. Turn off the system and disconnect it from power. Wait for 45 seconds. Reseat DIMM(s). Reconnect it to power.
4. Make sure that DSA and BIOS/uEFI are at the latest level.

Related links

- [Lenovo Support website](#)
- [Latest level of DSA](#)

- **201-824-002 : Standalone Memory Test Aborted**

Node Interleave feature must be OFF. Go to Setup and disable Node Interleave option and then re-run the test.

Recoverable

No

Severity

Warning

Serviceable

No

Automatically notify support

No

User Response

Complete the following steps:

1. Perform the actions mentioned one at a time and try the test after each action.
2. If the problem remains, contact your technical-service representative.
3. Turn off the system and disconnect it from power. Wait for 45 seconds. Reseat DIMM(s). Reconnect it to power.
4. Make sure that DSA and BIOS/uEFI are at the latest level.

Related links

- [Lenovo Support website](#)
- [Latest level of DSA](#)

- **201-824-003 : Standalone Memory Test Aborted**

Node Interleave feature must be OFF. Go to Setup and disable Node Interleave option and then re-run the test.

Recoverable

No

Severity

Warning

Serviceable

No

Automatically notify support

No

User Response

Complete the following steps:

1. Perform the actions mentioned one at a time and try the test after each action.
2. If the problem remains, contact your technical-service representative.
3. Turn off the system and disconnect it from power. Wait for 45 seconds. Reseat DIMM(s). Reconnect it to power.

4. Make sure that DSA and BIOS/uEFI are at the latest level.

Related links

- [Lenovo Support website](#)
- [Latest level of DSA](#)

- **201-826-000 : Standalone Memory Test Aborted**

BIOS: Memory Controller has been disabled. Go to Setup and Enable Memory Controller.

Recoverable

No

Severity

Warning

Serviceable

No

Automatically notify support

No

User Response

Complete the following steps:

1. Perform the actions mentioned one at a time and try the test after each action.
2. If the problem remains, contact your technical-service representative.
3. Turn off the system and disconnect it from power. Wait for 45 seconds. Reseat DIMM(s). Reconnect it to power.
4. Make sure that DSA and BIOS/uEFI are at the latest level.

Related links

- [Lenovo Support website](#)
- [Latest level of DSA](#)

- **201-826-001 : Standalone Memory Test Aborted**

BIOS: Memory Controller has been disabled. Go to Setup and Enable Memory Controller.

Recoverable

No

Severity

Warning

Serviceable

No

Automatically notify support

No

User Response

Complete the following steps:

1. Perform the actions mentioned one at a time and try the test after each action.
2. If the problem remains, contact your technical-service representative.
3. Turn off the system and disconnect it from power. Wait for 45 seconds. Reseat DIMM(s). Reconnect it to power.
4. Make sure that DSA and BIOS/uEFI are at the latest level.

Related links

- [Lenovo Support website](#)

- [Latest level of DSA](#)

- **201-826-002 : Standalone Memory Test Aborted**

BIOS: Memory Controller has been disabled. Go to Setup and Enable Memory Controller.

Recoverable

No

Severity

Warning

Serviceable

No

Automatically notify support

No

User Response

Complete the following steps:

1. Perform the actions mentioned one at a time and try the test after each action.
2. If the problem remains, contact your technical-service representative.
3. Turn off the system and disconnect it from power. Wait for 45 seconds. Reseat DIMM(s). Reconnect it to power.
4. Make sure that DSA and BIOS/uEFI are at the latest level.

Related links

- [Lenovo Support website](#)
- [Latest level of DSA](#)

- **201-826-003 : Standalone Memory Test Aborted**

BIOS: Memory Controller has been disabled. Go to Setup and Enable Memory Controller.

Recoverable

No

Severity

Warning

Serviceable

No

Automatically notify support

No

User Response

Complete the following steps:

1. Perform the actions mentioned one at a time and try the test after each action.
2. If the problem remains, contact your technical-service representative.
3. Turn off the system and disconnect it from power. Wait for 45 seconds. Reseat DIMM(s). Reconnect it to power.
4. Make sure that DSA and BIOS/uEFI are at the latest level.

Related links

- [Lenovo Support website](#)
- [Latest level of DSA](#)

- **201-827-000 : Standalone Memory Test Aborted**

BIOS: ECC function has been disabled by BIOS. Go to Setup and enable ECC generation.

Recoverable

No

Severity

Warning

Serviceable

No

Automatically notify support

No

User Response

Complete the following steps:

1. Perform the actions mentioned one at a time and try the test after each action.
2. If the problem remains, contact your technical-service representative.
3. Turn off the system and disconnect it from power. Wait for 45 seconds. Reseat DIMM(s). Reconnect it to power.
4. Make sure that DSA and BIOS/uEFI are at the latest level.

Related links

- [Lenovo Support website](#)
- [Latest level of DSA](#)

- **201-827-001 : Standalone Memory Test Aborted**

BIOS: ECC function has been disabled by BIOS. Go to Setup and enable ECC generation.

Recoverable

No

Severity

Warning

Serviceable

No

Automatically notify support

No

User Response

Complete the following steps:

1. Perform the actions mentioned one at a time and try the test after each action.
2. If the problem remains, contact your technical-service representative.
3. Turn off the system and disconnect it from power. Wait for 45 seconds. Reseat DIMM(s). Reconnect it to power.
4. Make sure that DSA and BIOS/uEFI are at the latest level.

Related links

- [Lenovo Support website](#)
- [Latest level of DSA](#)

- **201-827-002 : Standalone Memory Test Aborted**

BIOS: ECC function has been disabled by BIOS. Go to Setup and enable ECC generation.

Recoverable

No

Severity

Warning

Serviceable

No

Automatically notify support

No

User Response

Complete the following steps:

1. Perform the actions mentioned one at a time and try the test after each action.
2. If the problem remains, contact your technical-service representative.
3. Turn off the system and disconnect it from power. Wait for 45 seconds. Reseat DIMM(s). Reconnect it to power.
4. Make sure that DSA and BIOS/uEFI are at the latest level.

Related links

- [Lenovo Support website](#)
- [Latest level of DSA](#)

• **201-827-003 : Standalone Memory Test Aborted**

BIOS: ECC function has been disabled by BIOS. Go to Setup and enable ECC generation.

Recoverable

No

Severity

Warning

Serviceable

No

Automatically notify support

No

User Response

Complete the following steps:

1. Perform the actions mentioned one at a time and try the test after each action.
2. If the problem remains, contact your technical-service representative.
3. Turn off the system and disconnect it from power. Wait for 45 seconds. Reseat DIMM(s). Reconnect it to power.
4. Make sure that DSA and BIOS/uEFI are at the latest level.

Related links

- [Lenovo Support website](#)
- [Latest level of DSA](#)

• **201-844-000 : Standalone Memory Test Aborted**

Chipset Error: Problem in masking MSR machine check control MASK registers.

Recoverable

No

Severity

Warning

Serviceable

No

Automatically notify support

No

User Response

Complete the following steps:

1. Perform the actions mentioned one at a time and try the test after each action.
2. If the problem remains, contact your technical-service representative.
3. Turn off the system and disconnect it from power. Wait for 45 seconds. Reseat DIMM(s). Reconnect it to power.
4. Make sure that DSA and BIOS/uEFI are at the latest level.

Related links

- [Lenovo Support website](#)
- [Latest level of DSA](#)

• 201-844-001 : Standalone Memory Test Aborted

Chipset Error: Problem in masking MSR machine check control MASK registers.

Recoverable

No

Severity

Warning

Serviceable

No

Automatically notify support

No

User Response

Complete the following steps:

1. Perform the actions mentioned one at a time and try the test after each action.
2. If the problem remains, contact your technical-service representative.
3. Turn off the system and disconnect it from power. Wait for 45 seconds. Reseat DIMM(s). Reconnect it to power.
4. Make sure that DSA and BIOS/uEFI are at the latest level.

Related links

- [Lenovo Support website](#)
- [Latest level of DSA](#)

• 201-844-002 : Standalone Memory Test Aborted

Chipset Error: Problem in masking MSR machine check control MASK registers.

Recoverable

No

Severity

Warning

Serviceable

No

Automatically notify support

No

User Response

Complete the following steps:

1. Perform the actions mentioned one at a time and try the test after each action.
2. If the problem remains, contact your technical-service representative.
3. Turn off the system and disconnect it from power. Wait for 45 seconds. Reseat DIMM(s). Reconnect it to power.
4. Make sure that DSA and BIOS/uEFI are at the latest level.

Related links

- [Lenovo Support website](#)
- [Latest level of DSA](#)

• **201-844-003 : Standalone Memory Test Aborted**

Chipset Error: Problem in masking MSR machine check control MASK registers.

Recoverable

No

Severity

Warning

Serviceable

No

Automatically notify support

No

User Response

Complete the following steps:

1. Perform the actions mentioned one at a time and try the test after each action.
2. If the problem remains, contact your technical-service representative.
3. Turn off the system and disconnect it from power. Wait for 45 seconds. Reseat DIMM(s). Reconnect it to power.
4. Make sure that DSA and BIOS/uEFI are at the latest level.

Related links

- [Lenovo Support website](#)
- [Latest level of DSA](#)

• **201-845-000 : Standalone Memory Test Aborted**

Chipset Error: Problem clearing MSR machine check control registers.

Recoverable

No

Severity

Warning

Serviceable

No

Automatically notify support

No

User Response

Complete the following steps:

1. Perform the actions mentioned one at a time and try the test after each action.
2. If the problem remains, contact your technical-service representative.

3. Turn off the system and disconnect it from power. Wait for 45 seconds. Reseat DIMM(s). Reconnect it to power.
4. Make sure that DSA and BIOS/uEFI are at the latest level.

Related links

- [Lenovo Support website](#)
- [Latest level of DSA](#)

• 201-845-001 : Standalone Memory Test Aborted

Chipset Error: Problem clearing MSR machine check control registers.

Recoverable

No

Severity

Warning

Serviceable

No

Automatically notify support

No

User Response

Complete the following steps:

1. Perform the actions mentioned one at a time and try the test after each action.
2. If the problem remains, contact your technical-service representative.
3. Turn off the system and disconnect it from power. Wait for 45 seconds. Reseat DIMM(s). Reconnect it to power.
4. Make sure that DSA and BIOS/uEFI are at the latest level.

Related links

- [Lenovo Support website](#)
- [Latest level of DSA](#)

• 201-845-002 : Standalone Memory Test Aborted

Chipset Error: Problem clearing MSR machine check control registers.

Recoverable

No

Severity

Warning

Serviceable

No

Automatically notify support

No

User Response

Complete the following steps:

1. Perform the actions mentioned one at a time and try the test after each action.
2. If the problem remains, contact your technical-service representative.
3. Turn off the system and disconnect it from power. Wait for 45 seconds. Reseat DIMM(s). Reconnect it to power.
4. Make sure that DSA and BIOS/uEFI are at the latest level.

Related links

- [Lenovo Support website](#)
- [Latest level of DSA](#)

- **201-845-003 : Standalone Memory Test Aborted**

Chipset Error: Problem clearing MSR machine check control registers.

Recoverable

No

Severity

Warning

Serviceable

No

Automatically notify support

No

User Response

Complete the following steps:

1. Perform the actions mentioned one at a time and try the test after each action.
2. If the problem remains, contact your technical-service representative.
3. Turn off the system and disconnect it from power. Wait for 45 seconds. Reseat DIMM(s). Reconnect it to power.
4. Make sure that DSA and BIOS/uEFI are at the latest level.

Related links

- [Lenovo Support website](#)
- [Latest level of DSA](#)

- **201-859-000 : Standalone Memory Test Aborted**

INVALID XSECSRAT type.

Recoverable

No

Severity

Warning

Serviceable

No

Automatically notify support

No

User Response

Complete the following steps:

1. Perform the actions mentioned one at a time and try the test after each action.
2. If the problem remains, contact your technical-service representative.
3. Turn off the system and disconnect it from power. Wait for 45 seconds. Reseat DIMM(s). Reconnect it to power.
4. Make sure that DSA and BIOS/uEFI are at the latest level.

Related links

- [Lenovo Support website](#)
- [Latest level of DSA](#)

- **201-859-001 : Standalone Memory Test Aborted**

INVALID XSECSRAT type.

Recoverable

No

Severity

Warning

Serviceable

No

Automatically notify support

No

User Response

Complete the following steps:

1. Perform the actions mentioned one at a time and try the test after each action.
2. If the problem remains, contact your technical-service representative.
3. Turn off the system and disconnect it from power. Wait for 45 seconds. Reseat DIMM(s). Reconnect it to power.
4. Make sure that DSA and BIOS/uEFI are at the latest level.

Related links

- [Lenovo Support website](#)
- [Latest level of DSA](#)

• **201-859-002 : Standalone Memory Test Aborted**

INVALID XSECSRAT type.

Recoverable

No

Severity

Warning

Serviceable

No

Automatically notify support

No

User Response

Complete the following steps:

1. Perform the actions mentioned one at a time and try the test after each action.
2. If the problem remains, contact your technical-service representative.
3. Turn off the system and disconnect it from power. Wait for 45 seconds. Reseat DIMM(s). Reconnect it to power.
4. Make sure that DSA and BIOS/uEFI are at the latest level.

Related links

- [Lenovo Support website](#)
- [Latest level of DSA](#)

• **201-859-003 : Standalone Memory Test Aborted**

INVALID XSECSRAT type.

Recoverable

No

Severity

Warning

Serviceable

No

Automatically notify support

No

User Response

Complete the following steps:

1. Perform the actions mentioned one at a time and try the test after each action.
2. If the problem remains, contact your technical-service representative.
3. Turn off the system and disconnect it from power. Wait for 45 seconds. Reseat DIMM(s). Reconnect it to power.
4. Make sure that DSA and BIOS/uEFI are at the latest level.

Related links

- [Lenovo Support website](#)
- [Latest level of DSA](#)

- **201-860-000 : Standalone Memory Test Aborted**

No OEM0 type 1 found.

Recoverable

No

Severity

Warning

Serviceable

No

Automatically notify support

No

User Response

Complete the following steps:

1. Perform the actions mentioned one at a time and try the test after each action.
2. If the problem remains, contact your technical-service representative.
3. Turn off the system and disconnect it from power. Wait for 45 seconds. Reseat DIMM(s). Reconnect it to power.
4. Make sure that DSA and BIOS/uEFI are at the latest level.

Related links

- [Lenovo Support website](#)
- [Latest level of DSA](#)

- **201-860-001 : Standalone Memory Test Aborted**

No OEM0 type 1 found.

Recoverable

No

Severity

Warning

Serviceable

No

Automatically notify support

No

User Response

Complete the following steps:

1. Perform the actions mentioned one at a time and try the test after each action.
2. If the problem remains, contact your technical-service representative.
3. Turn off the system and disconnect it from power. Wait for 45 seconds. Reseat DIMM(s). Reconnect it to power.
4. Make sure that DSA and BIOS/uEFI are at the latest level.

Related links

- [Lenovo Support website](#)
- [Latest level of DSA](#)

• **201-860-002 : Standalone Memory Test Aborted**

No OEM0 type 1 found.

Recoverable

No

Severity

Warning

Serviceable

No

Automatically notify support

No

User Response

Complete the following steps:

1. Perform the actions mentioned one at a time and try the test after each action.
2. If the problem remains, contact your technical-service representative.
3. Turn off the system and disconnect it from power. Wait for 45 seconds. Reseat DIMM(s). Reconnect it to power.
4. Make sure that DSA and BIOS/uEFI are at the latest level.

Related links

- [Lenovo Support website](#)
- [Latest level of DSA](#)

• **201-860-003 : Standalone Memory Test Aborted**

No OEM0 type 1 found.

Recoverable

No

Severity

Warning

Serviceable

No

Automatically notify support

No

User Response

Complete the following steps:

1. Perform the actions mentioned one at a time and try the test after each action.
2. If the problem remains, contact your technical-service representative.
3. Turn off the system and disconnect it from power. Wait for 45 seconds. Reseat DIMM(s). Reconnect it to power.
4. Make sure that DSA and BIOS/uEFI are at the latest level.

Related links

- [Lenovo Support website](#)
- [Latest level of DSA](#)

- **201-861-000 : Standalone Memory Test Aborted**

No SRAT type 1 found.

Recoverable

No

Severity

Warning

Serviceable

No

Automatically notify support

No

User Response

Complete the following steps:

1. Perform the actions mentioned one at a time and try the test after each action.
2. If the problem remains, contact your technical-service representative.
3. Turn off the system and disconnect it from power. Wait for 45 seconds. Reseat DIMM(s). Reconnect it to power.
4. Make sure that DSA and BIOS/uEFI are at the latest level.

Related links

- [Lenovo Support website](#)
- [Latest level of DSA](#)

- **201-861-001 : Standalone Memory Test Aborted**

No SRAT type 1 found.

Recoverable

No

Severity

Warning

Serviceable

No

Automatically notify support

No

User Response

Complete the following steps:

1. Perform the actions mentioned one at a time and try the test after each action.

2. If the problem remains, contact your technical-service representative.
3. Turn off the system and disconnect it from power. Wait for 45 seconds. Reseat DIMM(s). Reconnect it to power.
4. Make sure that DSA and BIOS/uEFI are at the latest level.

Related links

- [Lenovo Support website](#)
- [Latest level of DSA](#)

- **201-861-002 : Standalone Memory Test Aborted**

No SRAT type 1 found.

Recoverable

No

Severity

Warning

Serviceable

No

Automatically notify support

No

User Response

Complete the following steps:

1. Perform the actions mentioned one at a time and try the test after each action.
2. If the problem remains, contact your technical-service representative.
3. Turn off the system and disconnect it from power. Wait for 45 seconds. Reseat DIMM(s). Reconnect it to power.
4. Make sure that DSA and BIOS/uEFI are at the latest level.

Related links

- [Lenovo Support website](#)
- [Latest level of DSA](#)

- **201-861-003 : Standalone Memory Test Aborted**

No SRAT type 1 found.

Recoverable

No

Severity

Warning

Serviceable

No

Automatically notify support

No

User Response

Complete the following steps:

1. Perform the actions mentioned one at a time and try the test after each action.
2. If the problem remains, contact your technical-service representative.
3. Turn off the system and disconnect it from power. Wait for 45 seconds. Reseat DIMM(s). Reconnect it to power.

4. Make sure that DSA and BIOS/uEFI are at the latest level.

Related links

- [Lenovo Support website](#)
- [Latest level of DSA](#)

• 201-862-000 : Standalone Memory Test Aborted

No OEM1 structure found.

Recoverable

No

Severity

Warning

Serviceable

No

Automatically notify support

No

User Response

Complete the following steps:

1. Perform the actions mentioned one at a time and try the test after each action.
2. If the problem remains, contact your technical-service representative.
3. Turn off the system and disconnect it from power. Wait for 45 seconds. Reseat DIMM(s). Reconnect it to power.
4. Make sure that DSA and BIOS/uEFI are at the latest level.

Related links

- [Lenovo Support website](#)
- [Latest level of DSA](#)

• 201-862-001 : Standalone Memory Test Aborted

No OEM1 structure found.

Recoverable

No

Severity

Warning

Serviceable

No

Automatically notify support

No

User Response

Complete the following steps:

1. Perform the actions mentioned one at a time and try the test after each action.
2. If the problem remains, contact your technical-service representative.
3. Turn off the system and disconnect it from power. Wait for 45 seconds. Reseat DIMM(s). Reconnect it to power.
4. Make sure that DSA and BIOS/uEFI are at the latest level.

Related links

- [Lenovo Support website](#)

- [Latest level of DSA](#)

- **201-862-002 : Standalone Memory Test Aborted**

No OEM1 structure found.

Recoverable

No

Severity

Warning

Serviceable

No

Automatically notify support

No

User Response

Complete the following steps:

1. Perform the actions mentioned one at a time and try the test after each action.
2. If the problem remains, contact your technical-service representative.
3. Turn off the system and disconnect it from power. Wait for 45 seconds. Reseat DIMM(s).
Reconnect it to power.
4. Make sure that DSA and BIOS/uEFI are at the latest level.

Related links

- [Lenovo Support website](#)
- [Latest level of DSA](#)

- **201-862-003 : Standalone Memory Test Aborted**

No OEM1 structure found.

Recoverable

No

Severity

Warning

Serviceable

No

Automatically notify support

No

User Response

Complete the following steps:

1. Perform the actions mentioned one at a time and try the test after each action.
2. If the problem remains, contact your technical-service representative.
3. Turn off the system and disconnect it from power. Wait for 45 seconds. Reseat DIMM(s).
Reconnect it to power.
4. Make sure that DSA and BIOS/uEFI are at the latest level.

Related links

- [Lenovo Support website](#)
- [Latest level of DSA](#)

- **201-863-000 : Standalone Memory Test Aborted**

No IBMERROR key in OEM1 structure.

Recoverable

No

Severity

Warning

Serviceable

No

Automatically notify support

No

User Response

Complete the following steps:

1. Perform the actions mentioned one at a time and try the test after each action.
2. If the problem remains, contact your technical-service representative.
3. Turn off the system and disconnect it from power. Wait for 45 seconds. Reseat DIMM(s). Reconnect it to power.
4. Make sure that DSA and BIOS/uEFI are at the latest level.

Related links

- [Lenovo Support website](#)
- [Latest level of DSA](#)

- **201-863-001 : Standalone Memory Test Aborted**

No IBMERROR key in OEM1 structure.

Recoverable

No

Severity

Warning

Serviceable

No

Automatically notify support

No

User Response

Complete the following steps:

1. Perform the actions mentioned one at a time and try the test after each action.
2. If the problem remains, contact your technical-service representative.
3. Turn off the system and disconnect it from power. Wait for 45 seconds. Reseat DIMM(s). Reconnect it to power.
4. Make sure that DSA and BIOS/uEFI are at the latest level.

Related links

- [Lenovo Support website](#)
- [Latest level of DSA](#)

- **201-863-002 : Standalone Memory Test Aborted**

No IBMERROR key in OEM1 structure.

Recoverable

No

Severity

Warning

Serviceable

No

Automatically notify support

No

User Response

Complete the following steps:

1. Perform the actions mentioned one at a time and try the test after each action.
2. If the problem remains, contact your technical-service representative.
3. Turn off the system and disconnect it from power. Wait for 45 seconds. Reseat DIMM(s). Reconnect it to power.
4. Make sure that DSA and BIOS/uEFI are at the latest level.

Related links

- [Lenovo Support website](#)
- [Latest level of DSA](#)

• **201-863-003 : Standalone Memory Test Aborted**

No IBMERROR key in OEM1 structure.

Recoverable

No

Severity

Warning

Serviceable

No

Automatically notify support

No

User Response

Complete the following steps:

1. Perform the actions mentioned one at a time and try the test after each action.
2. If the problem remains, contact your technical-service representative.
3. Turn off the system and disconnect it from power. Wait for 45 seconds. Reseat DIMM(s). Reconnect it to power.
4. Make sure that DSA and BIOS/uEFI are at the latest level.

Related links

- [Lenovo Support website](#)
- [Latest level of DSA](#)

• **201-864-000 : Standalone Memory Test Aborted**

No GAS located in OEM1.

Recoverable

No

Severity

Warning

Serviceable

No

Automatically notify support

No

User Response

Complete the following steps:

1. Perform the actions mentioned one at a time and try the test after each action.
2. If the problem remains, contact your technical-service representative.
3. Turn off the system and disconnect it from power. Wait for 45 seconds. Reseat DIMM(s). Reconnect it to power.
4. Make sure that DSA and BIOS/uEFI are at the latest level.

Related links

- [Lenovo Support website](#)
- [Latest level of DSA](#)

• 201-864-001 : Standalone Memory Test Aborted

No GAS located in OEM1.

Recoverable

No

Severity

Warning

Serviceable

No

Automatically notify support

No

User Response

Complete the following steps:

1. Perform the actions mentioned one at a time and try the test after each action.
2. If the problem remains, contact your technical-service representative.
3. Turn off the system and disconnect it from power. Wait for 45 seconds. Reseat DIMM(s). Reconnect it to power.
4. Make sure that DSA and BIOS/uEFI are at the latest level.

Related links

- [Lenovo Support website](#)
- [Latest level of DSA](#)

• 201-864-002 : Standalone Memory Test Aborted

No GAS located in OEM1.

Recoverable

No

Severity

Warning

Serviceable

No

Automatically notify support

No

User Response

Complete the following steps:

1. Perform the actions mentioned one at a time and try the test after each action.
2. If the problem remains, contact your technical-service representative.
3. Turn off the system and disconnect it from power. Wait for 45 seconds. Reseat DIMM(s). Reconnect it to power.
4. Make sure that DSA and BIOS/uEFI are at the latest level.

Related links

- [Lenovo Support website](#)
- [Latest level of DSA](#)

• **201-864-003 : Standalone Memory Test Aborted**

No GAS located in OEM1.

Recoverable

No

Severity

Warning

Serviceable

No

Automatically notify support

No

User Response

Complete the following steps:

1. Perform the actions mentioned one at a time and try the test after each action.
2. If the problem remains, contact your technical-service representative.
3. Turn off the system and disconnect it from power. Wait for 45 seconds. Reseat DIMM(s). Reconnect it to power.
4. Make sure that DSA and BIOS/uEFI are at the latest level.

Related links

- [Lenovo Support website](#)
- [Latest level of DSA](#)

• **201-865-000 : Standalone Memory Test Aborted**

No XSECSRAT key in OEM0 structure.

Recoverable

No

Severity

Warning

Serviceable

No

Automatically notify support

No

User Response

Complete the following steps:

1. Perform the actions mentioned one at a time and try the test after each action.
2. If the problem remains, contact your technical-service representative.

3. Turn off the system and disconnect it from power. Wait for 45 seconds. Reseat DIMM(s). Reconnect it to power.
4. Make sure that DSA and BIOS/uEFI are at the latest level.

Related links

- [Lenovo Support website](#)
- [Latest level of DSA](#)

- **201-865-001 : Standalone Memory Test Aborted**

No XSECSRAT key in OEM0 structure.

Recoverable

No

Severity

Warning

Serviceable

No

Automatically notify support

No

User Response

Complete the following steps:

1. Perform the actions mentioned one at a time and try the test after each action.
2. If the problem remains, contact your technical-service representative.
3. Turn off the system and disconnect it from power. Wait for 45 seconds. Reseat DIMM(s). Reconnect it to power.
4. Make sure that DSA and BIOS/uEFI are at the latest level.

Related links

- [Lenovo Support website](#)
- [Latest level of DSA](#)

- **201-865-002 : Standalone Memory Test Aborted**

No XSECSRAT key in OEM0 structure.

Recoverable

No

Severity

Warning

Serviceable

No

Automatically notify support

No

User Response

Complete the following steps:

1. Perform the actions mentioned one at a time and try the test after each action.
2. If the problem remains, contact your technical-service representative.
3. Turn off the system and disconnect it from power. Wait for 45 seconds. Reseat DIMM(s). Reconnect it to power.
4. Make sure that DSA and BIOS/uEFI are at the latest level.

Related links

- [Lenovo Support website](#)
- [Latest level of DSA](#)

- **201-865-003 : Standalone Memory Test Aborted**

No XSECSRAT key in OEM0 structure.

Recoverable

No

Severity

Warning

Serviceable

No

Automatically notify support

No

User Response

Complete the following steps:

1. Perform the actions mentioned one at a time and try the test after each action.
2. If the problem remains, contact your technical-service representative.
3. Turn off the system and disconnect it from power. Wait for 45 seconds. Reseat DIMM(s). Reconnect it to power.
4. Make sure that DSA and BIOS/uEFI are at the latest level.

Related links

- [Lenovo Support website](#)
- [Latest level of DSA](#)

- **201-866-000 : Standalone Memory Test Aborted**

EFI-SAL Invalid parameter from GetMemoryMap function.

Recoverable

No

Severity

Warning

Serviceable

No

Automatically notify support

No

User Response

Complete the following steps:

1. Perform the actions mentioned one at a time and try the test after each action.
2. If the problem remains, contact your technical-service representative.
3. Turn off the system and disconnect it from power. Wait for 45 seconds. Reseat DIMM(s). Reconnect it to power.
4. Make sure that DSA and BIOS/uEFI are at the latest level.

Related links

- [Lenovo Support website](#)
- [Latest level of DSA](#)

- **201-866-001 : Standalone Memory Test Aborted**

EFI-SAL Invalid parameter from GetMemoryMap function.

Recoverable

No

Severity

Warning

Serviceable

No

Automatically notify support

No

User Response

Complete the following steps:

1. Perform the actions mentioned one at a time and try the test after each action.
2. If the problem remains, contact your technical-service representative.
3. Turn off the system and disconnect it from power. Wait for 45 seconds. Reseat DIMM(s). Reconnect it to power.
4. Make sure that DSA and BIOS/uEFI are at the latest level.

Related links

- [Lenovo Support website](#)
- [Latest level of DSA](#)

• **201-866-002 : Standalone Memory Test Aborted**

EFI-SAL Invalid parameter from GetMemoryMap function.

Recoverable

No

Severity

Warning

Serviceable

No

Automatically notify support

No

User Response

Complete the following steps:

1. Perform the actions mentioned one at a time and try the test after each action.
2. If the problem remains, contact your technical-service representative.
3. Turn off the system and disconnect it from power. Wait for 45 seconds. Reseat DIMM(s). Reconnect it to power.
4. Make sure that DSA and BIOS/uEFI are at the latest level.

Related links

- [Lenovo Support website](#)
- [Latest level of DSA](#)

• **201-866-003 : Standalone Memory Test Aborted**

EFI-SAL Invalid parameter from GetMemoryMap function.

Recoverable

No

Severity

Warning

Serviceable

No

Automatically notify support

No

User Response

Complete the following steps:

1. Perform the actions mentioned one at a time and try the test after each action.
2. If the problem remains, contact your technical-service representative.
3. Turn off the system and disconnect it from power. Wait for 45 seconds. Reseat DIMM(s). Reconnect it to power.
4. Make sure that DSA and BIOS/uEFI are at the latest level.

Related links

- [Lenovo Support website](#)
- [Latest level of DSA](#)

- **201-867-000 : Standalone Memory Test Aborted**

EFI/SAL: Buffer not allocated.

Recoverable

No

Severity

Warning

Serviceable

No

Automatically notify support

No

User Response

Complete the following steps:

1. Perform the actions mentioned one at a time and try the test after each action.
2. If the problem remains, contact your technical-service representative.
3. Turn off the system and disconnect it from power. Wait for 45 seconds. Reseat DIMM(s). Reconnect it to power.
4. Make sure that DSA and BIOS/uEFI are at the latest level.

Related links

- [Lenovo Support website](#)
- [Latest level of DSA](#)

- **201-867-001 : Standalone Memory Test Aborted**

EFI/SAL: Buffer not allocated.

Recoverable

No

Severity

Warning

Serviceable

No

Automatically notify support

No

User Response

Complete the following steps:

1. Perform the actions mentioned one at a time and try the test after each action.
2. If the problem remains, contact your technical-service representative.
3. Turn off the system and disconnect it from power. Wait for 45 seconds. Reseat DIMM(s). Reconnect it to power.
4. Make sure that DSA and BIOS/uEFI are at the latest level.

Related links

- [Lenovo Support website](#)
- [Latest level of DSA](#)

• **201-867-002 : Standalone Memory Test Aborted**

EFI/SAL: Buffer not allocated.

Recoverable

No

Severity

Warning

Serviceable

No

Automatically notify support

No

User Response

Complete the following steps:

1. Perform the actions mentioned one at a time and try the test after each action.
2. If the problem remains, contact your technical-service representative.
3. Turn off the system and disconnect it from power. Wait for 45 seconds. Reseat DIMM(s). Reconnect it to power.
4. Make sure that DSA and BIOS/uEFI are at the latest level.

Related links

- [Lenovo Support website](#)
- [Latest level of DSA](#)

• **201-867-003 : Standalone Memory Test Aborted**

EFI/SAL: Buffer not allocated.

Recoverable

No

Severity

Warning

Serviceable

No

Automatically notify support

No

User Response

Complete the following steps:

1. Perform the actions mentioned one at a time and try the test after each action.
2. If the problem remains, contact your technical-service representative.
3. Turn off the system and disconnect it from power. Wait for 45 seconds. Reseat DIMM(s). Reconnect it to power.
4. Make sure that DSA and BIOS/uEFI are at the latest level.

Related links

- [Lenovo Support website](#)
- [Latest level of DSA](#)

- **201-868-000 : Standalone Memory Test Aborted**

EFI/SAL: Buffer allocated in GetMemoryMap too small.

Recoverable

No

Severity

Warning

Serviceable

No

Automatically notify support

No

User Response

Complete the following steps:

1. Perform the actions mentioned one at a time and try the test after each action.
2. If the problem remains, contact your technical-service representative.
3. Turn off the system and disconnect it from power. Wait for 45 seconds. Reseat DIMM(s). Reconnect it to power.
4. Make sure that DSA and BIOS/uEFI are at the latest level.

Related links

- [Lenovo Support website](#)
- [Latest level of DSA](#)

- **201-868-001 : Standalone Memory Test Aborted**

EFI/SAL: Buffer allocated in GetMemoryMap too small.

Recoverable

No

Severity

Warning

Serviceable

No

Automatically notify support

No

User Response

Complete the following steps:

1. Perform the actions mentioned one at a time and try the test after each action.

2. If the problem remains, contact your technical-service representative.
3. Turn off the system and disconnect it from power. Wait for 45 seconds. Reseat DIMM(s). Reconnect it to power.
4. Make sure that DSA and BIOS/uEFI are at the latest level.

Related links

- [Lenovo Support website](#)
- [Latest level of DSA](#)

• 201-868-002 : Standalone Memory Test Aborted

EFI/SAL: Buffer allocated in GetMemoryMap too small.

Recoverable

No

Severity

Warning

Serviceable

No

Automatically notify support

No

User Response

Complete the following steps:

1. Perform the actions mentioned one at a time and try the test after each action.
2. If the problem remains, contact your technical-service representative.
3. Turn off the system and disconnect it from power. Wait for 45 seconds. Reseat DIMM(s). Reconnect it to power.
4. Make sure that DSA and BIOS/uEFI are at the latest level.

Related links

- [Lenovo Support website](#)
- [Latest level of DSA](#)

• 201-868-003 : Standalone Memory Test Aborted

EFI/SAL: Buffer allocated in GetMemoryMap too small.

Recoverable

No

Severity

Warning

Serviceable

No

Automatically notify support

No

User Response

Complete the following steps:

1. Perform the actions mentioned one at a time and try the test after each action.
2. If the problem remains, contact your technical-service representative.
3. Turn off the system and disconnect it from power. Wait for 45 seconds. Reseat DIMM(s). Reconnect it to power.

4. Make sure that DSA and BIOS/uEFI are at the latest level.

Related links

- [Lenovo Support website](#)
- [Latest level of DSA](#)

- **201-869-000 : Standalone Memory Test Aborted**

EFI/SAL Invalid parameter from GetMemoryMap function.

Recoverable

No

Severity

Warning

Serviceable

No

Automatically notify support

No

User Response

Complete the following steps:

1. Perform the actions mentioned one at a time and try the test after each action.
2. If the problem remains, contact your technical-service representative.
3. Turn off the system and disconnect it from power. Wait for 45 seconds. Reseat DIMM(s). Reconnect it to power.
4. Make sure that DSA and BIOS/uEFI are at the latest level.

Related links

- [Lenovo Support website](#)
- [Latest level of DSA](#)

- **201-869-001 : Standalone Memory Test Aborted**

EFI/SAL Invalid parameter from GetMemoryMap function.

Recoverable

No

Severity

Warning

Serviceable

No

Automatically notify support

No

User Response

Complete the following steps:

1. Perform the actions mentioned one at a time and try the test after each action.
2. If the problem remains, contact your technical-service representative.
3. Turn off the system and disconnect it from power. Wait for 45 seconds. Reseat DIMM(s). Reconnect it to power.
4. Make sure that DSA and BIOS/uEFI are at the latest level.

Related links

- [Lenovo Support website](#)

- [Latest level of DSA](#)

- **201-869-002 : Standalone Memory Test Aborted**

EFI/SAL Invalid parameter from GetMemoryMap function.

Recoverable

No

Severity

Warning

Serviceable

No

Automatically notify support

No

User Response

Complete the following steps:

1. Perform the actions mentioned one at a time and try the test after each action.
2. If the problem remains, contact your technical-service representative.
3. Turn off the system and disconnect it from power. Wait for 45 seconds. Reseat DIMM(s). Reconnect it to power.
4. Make sure that DSA and BIOS/uEFI are at the latest level.

Related links

- [Lenovo Support website](#)
- [Latest level of DSA](#)

- **201-869-003 : Standalone Memory Test Aborted**

EFI/SAL Invalid parameter from GetMemoryMap function.

Recoverable

No

Severity

Warning

Serviceable

No

Automatically notify support

No

User Response

Complete the following steps:

1. Perform the actions mentioned one at a time and try the test after each action.
2. If the problem remains, contact your technical-service representative.
3. Turn off the system and disconnect it from power. Wait for 45 seconds. Reseat DIMM(s). Reconnect it to power.
4. Make sure that DSA and BIOS/uEFI are at the latest level.

Related links

- [Lenovo Support website](#)
- [Latest level of DSA](#)

- **201-870-000 : Standalone Memory Test Aborted**

CPU Doamin in ACPI not valid.

Recoverable

No

Severity

Warning

Serviceable

No

Automatically notify support

No

User Response

Complete the following steps:

1. Perform the actions mentioned one at a time and try the test after each action.
2. If the problem remains, contact your technical-service representative.
3. Turn off the system and disconnect it from power. Wait for 45 seconds. Reseat DIMM(s). Reconnect it to power.
4. Make sure that DSA and BIOS/uEFI are at the latest level.

Related links

- [Lenovo Support website](#)
- [Latest level of DSA](#)

- **201-870-001 : Standalone Memory Test Aborted**

CPU Doamin in ACPI not valid.

Recoverable

No

Severity

Warning

Serviceable

No

Automatically notify support

No

User Response

Complete the following steps:

1. Perform the actions mentioned one at a time and try the test after each action.
2. If the problem remains, contact your technical-service representative.
3. Turn off the system and disconnect it from power. Wait for 45 seconds. Reseat DIMM(s). Reconnect it to power.
4. Make sure that DSA and BIOS/uEFI are at the latest level.

Related links

- [Lenovo Support website](#)
- [Latest level of DSA](#)

- **201-870-002 : Standalone Memory Test Aborted**

CPU Doamin in ACPI not valid.

Recoverable

No

Severity

Warning

Serviceable

No

Automatically notify support

No

User Response

Complete the following steps:

1. Perform the actions mentioned one at a time and try the test after each action.
2. If the problem remains, contact your technical-service representative.
3. Turn off the system and disconnect it from power. Wait for 45 seconds. Reseat DIMM(s). Reconnect it to power.
4. Make sure that DSA and BIOS/uEFI are at the latest level.

Related links

- [Lenovo Support website](#)
- [Latest level of DSA](#)

• **201-870-003 : Standalone Memory Test Aborted**

CPU Doamin in ACPI not valid.

Recoverable

No

Severity

Warning

Serviceable

No

Automatically notify support

No

User Response

Complete the following steps:

1. Perform the actions mentioned one at a time and try the test after each action.
2. If the problem remains, contact your technical-service representative.
3. Turn off the system and disconnect it from power. Wait for 45 seconds. Reseat DIMM(s). Reconnect it to power.
4. Make sure that DSA and BIOS/uEFI are at the latest level.

Related links

- [Lenovo Support website](#)
- [Latest level of DSA](#)

• **201-871-000 : Standalone Memory Test Aborted**

Data Mis-compare encountered.

Recoverable

No

Severity

Warning

Serviceable

No

Automatically notify support

No

User Response

Complete the following steps:

1. Perform the actions mentioned one at a time and try the test after each action.
2. If the problem remains, contact your technical-service representative.
3. Turn off the system and disconnect it from power. Wait for 45 seconds. Reseat DIMM(s). Reconnect it to power.
4. Make sure that DSA and BIOS/uEFI are at the latest level.

Related links

- [Lenovo Support website](#)
- [Latest level of DSA](#)

• 201-871-001 : Standalone Memory Test Aborted

Data Mis-compare encountered.

Recoverable

No

Severity

Warning

Serviceable

No

Automatically notify support

No

User Response

Complete the following steps:

1. Perform the actions mentioned one at a time and try the test after each action.
2. If the problem remains, contact your technical-service representative.
3. Turn off the system and disconnect it from power. Wait for 45 seconds. Reseat DIMM(s). Reconnect it to power.
4. Make sure that DSA and BIOS/uEFI are at the latest level.

Related links

- [Lenovo Support website](#)
- [Latest level of DSA](#)

• 201-871-002 : Standalone Memory Test Aborted

Data Mis-compare encountered.

Recoverable

No

Severity

Warning

Serviceable

No

Automatically notify support

No

User Response

Complete the following steps:

1. Perform the actions mentioned one at a time and try the test after each action.
2. If the problem remains, contact your technical-service representative.
3. Turn off the system and disconnect it from power. Wait for 45 seconds. Reseat DIMM(s). Reconnect it to power.
4. Make sure that DSA and BIOS/uEFI are at the latest level.

Related links

- [Lenovo Support website](#)
- [Latest level of DSA](#)

• **201-871-003 : Standalone Memory Test Aborted**

Data Mis-compare encountered.

Recoverable

No

Severity

Warning

Serviceable

No

Automatically notify support

No

User Response

Complete the following steps:

1. Perform the actions mentioned one at a time and try the test after each action.
2. If the problem remains, contact your technical-service representative.
3. Turn off the system and disconnect it from power. Wait for 45 seconds. Reseat DIMM(s). Reconnect it to power.
4. Make sure that DSA and BIOS/uEFI are at the latest level.

Related links

- [Lenovo Support website](#)
- [Latest level of DSA](#)

• **201-877-000 : Standalone Memory Test Aborted**

BIOS: Sparring in Extended PCI reg. must be OFF. Go to setup and disable sparring.

Recoverable

No

Severity

Warning

Serviceable

No

Automatically notify support

No

User Response

Complete the following steps:

1. Perform the actions mentioned one at a time and try the test after each action.
2. If the problem remains, contact your technical-service representative.

3. Turn off the system and disconnect it from power. Wait for 45 seconds. Reseat DIMM(s). Reconnect it to power.
4. Make sure that DSA and BIOS/uEFI are at the latest level.

Related links

- [Lenovo Support website](#)
- [Latest level of DSA](#)

• 201-877-001 : Standalone Memory Test Aborted

BIOS: Sparing in Extended PCI reg. must be OFF. Go to setup and disable sparing.

Recoverable

No

Severity

Warning

Serviceable

No

Automatically notify support

No

User Response

Complete the following steps:

1. Perform the actions mentioned one at a time and try the test after each action.
2. If the problem remains, contact your technical-service representative.
3. Turn off the system and disconnect it from power. Wait for 45 seconds. Reseat DIMM(s). Reconnect it to power.
4. Make sure that DSA and BIOS/uEFI are at the latest level.

Related links

- [Lenovo Support website](#)
- [Latest level of DSA](#)

• 201-877-002 : Standalone Memory Test Aborted

BIOS: Sparing in Extended PCI reg. must be OFF. Go to setup and disable sparing.

Recoverable

No

Severity

Warning

Serviceable

No

Automatically notify support

No

User Response

Complete the following steps:

1. Perform the actions mentioned one at a time and try the test after each action.
2. If the problem remains, contact your technical-service representative.
3. Turn off the system and disconnect it from power. Wait for 45 seconds. Reseat DIMM(s). Reconnect it to power.
4. Make sure that DSA and BIOS/uEFI are at the latest level.

Related links

- [Lenovo Support website](#)
- [Latest level of DSA](#)

- **201-877-003 : Standalone Memory Test Aborted**

BIOS: Sparing in Extended PCI reg. must be OFF. Go to setup and disable sparing.

Recoverable

No

Severity

Warning

Serviceable

No

Automatically notify support

No

User Response

Complete the following steps:

1. Perform the actions mentioned one at a time and try the test after each action.
2. If the problem remains, contact your technical-service representative.
3. Turn off the system and disconnect it from power. Wait for 45 seconds. Reseat DIMM(s). Reconnect it to power.
4. Make sure that DSA and BIOS/uEFI are at the latest level.

Related links

- [Lenovo Support website](#)
- [Latest level of DSA](#)

- **201-878-000 : Standalone Memory Test Aborted**

Sparing feature must be turned OFF. Go to setup and turn the sparing feature OFF.

Recoverable

No

Severity

Warning

Serviceable

No

Automatically notify support

No

User Response

Complete the following steps:

1. Perform the actions mentioned one at a time and try the test after each action.
2. If the problem remains, contact your technical-service representative.
3. Turn off the system and disconnect it from power. Wait for 45 seconds. Reseat DIMM(s). Reconnect it to power.
4. Make sure that DSA and BIOS/uEFI are at the latest level.

Related links

- [Lenovo Support website](#)
- [Latest level of DSA](#)

- **201-878-001 : Standalone Memory Test Aborted**

Sparing feature must be turned OFF. Go to setup and turn the sparing feature OFF.

Recoverable

No

Severity

Warning

Serviceable

No

Automatically notify support

No

User Response

Complete the following steps:

1. Perform the actions mentioned one at a time and try the test after each action.
2. If the problem remains, contact your technical-service representative.
3. Turn off the system and disconnect it from power. Wait for 45 seconds. Reseat DIMM(s). Reconnect it to power.
4. Make sure that DSA and BIOS/uEFI are at the latest level.

Related links

- [Lenovo Support website](#)
- [Latest level of DSA](#)

• **201-878-002 : Standalone Memory Test Aborted**

Sparing feature must be turned OFF. Go to setup and turn the sparing feature OFF.

Recoverable

No

Severity

Warning

Serviceable

No

Automatically notify support

No

User Response

Complete the following steps:

1. Perform the actions mentioned one at a time and try the test after each action.
2. If the problem remains, contact your technical-service representative.
3. Turn off the system and disconnect it from power. Wait for 45 seconds. Reseat DIMM(s). Reconnect it to power.
4. Make sure that DSA and BIOS/uEFI are at the latest level.

Related links

- [Lenovo Support website](#)
- [Latest level of DSA](#)

• **201-878-003 : Standalone Memory Test Aborted**

Sparing feature must be turned OFF. Go to setup and turn the sparing feature OFF.

Recoverable

No

Severity

Warning

Serviceable

No

Automatically notify support

No

User Response

Complete the following steps:

1. Perform the actions mentioned one at a time and try the test after each action.
2. If the problem remains, contact your technical-service representative.
3. Turn off the system and disconnect it from power. Wait for 45 seconds. Reseat DIMM(s). Reconnect it to power.
4. Make sure that DSA and BIOS/uEFI are at the latest level.

Related links

- [Lenovo Support website](#)
- [Latest level of DSA](#)

• 201-885-000 : Standalone Memory Test Aborted

Processor does not support MTRR register manipulation. Can not write to memory without cache.

Recoverable

No

Severity

Warning

Serviceable

No

Automatically notify support

No

User Response

Complete the following steps:

1. Perform the actions mentioned one at a time and try the test after each action.
2. If the problem remains, contact your technical-service representative.
3. Turn off the system and disconnect it from power. Wait for 45 seconds. Reseat DIMM(s). Reconnect it to power.
4. Make sure that DSA and BIOS/uEFI are at the latest level.

Related links

- [Lenovo Support website](#)
- [Latest level of DSA](#)

• 201-885-001 : Standalone Memory Test Aborted

Processor does not support MTRR register manipulation. Can not write to memory without cache.

Recoverable

No

Severity

Warning

Serviceable

No

Automatically notify support

No

User Response

Complete the following steps:

1. Perform the actions mentioned one at a time and try the test after each action.
2. If the problem remains, contact your technical-service representative.
3. Turn off the system and disconnect it from power. Wait for 45 seconds. Reseat DIMM(s). Reconnect it to power.
4. Make sure that DSA and BIOS/uEFI are at the latest level.

Related links

- [Lenovo Support website](#)
- [Latest level of DSA](#)

• **201-885-002 : Standalone Memory Test Aborted**

Processor does not support MTRR register manipulation. Can not write to memory without cache.

Recoverable

No

Severity

Warning

Serviceable

No

Automatically notify support

No

User Response

Complete the following steps:

1. Perform the actions mentioned one at a time and try the test after each action.
2. If the problem remains, contact your technical-service representative.
3. Turn off the system and disconnect it from power. Wait for 45 seconds. Reseat DIMM(s). Reconnect it to power.
4. Make sure that DSA and BIOS/uEFI are at the latest level.

Related links

- [Lenovo Support website](#)
- [Latest level of DSA](#)

• **201-885-003 : Standalone Memory Test Aborted**

Processor does not support MTRR register manipulation. Can not write to memory without cache.

Recoverable

No

Severity

Warning

Serviceable

No

Automatically notify support

No

User Response

Complete the following steps:

1. Perform the actions mentioned one at a time and try the test after each action.
2. If the problem remains, contact your technical-service representative.
3. Turn off the system and disconnect it from power. Wait for 45 seconds. Reseat DIMM(s). Reconnect it to power.
4. Make sure that DSA and BIOS/uEFI are at the latest level.

Related links

- [Lenovo Support website](#)
- [Latest level of DSA](#)

• 201-886-000 : Standalone Memory Test Aborted

Memory Upper limit is less than 16 Mbytes.

Recoverable

No

Severity

Warning

Serviceable

No

Automatically notify support

No

User Response

Complete the following steps:

1. Perform the actions mentioned one at a time and try the test after each action.
2. If the problem remains, contact your technical-service representative.
3. Turn off the system and disconnect it from power. Wait for 45 seconds. Reseat DIMM(s). Reconnect it to power.
4. Make sure that DSA and BIOS/uEFI are at the latest level.

Related links

- [Lenovo Support website](#)
- [Latest level of DSA](#)

• 201-886-001 : Standalone Memory Test Aborted

Memory Upper limit is less than 16 Mbytes.

Recoverable

No

Severity

Warning

Serviceable

No

Automatically notify support

No

User Response

Complete the following steps:

1. Perform the actions mentioned one at a time and try the test after each action.

2. If the problem remains, contact your technical-service representative.
3. Turn off the system and disconnect it from power. Wait for 45 seconds. Reseat DIMM(s). Reconnect it to power.
4. Make sure that DSA and BIOS/uEFI are at the latest level.

Related links

- [Lenovo Support website](#)
- [Latest level of DSA](#)

- **201-886-002 : Standalone Memory Test Aborted**

Memory Upper limit is less than 16 Mbytes.

Recoverable

No

Severity

Warning

Serviceable

No

Automatically notify support

No

User Response

Complete the following steps:

1. Perform the actions mentioned one at a time and try the test after each action.
2. If the problem remains, contact your technical-service representative.
3. Turn off the system and disconnect it from power. Wait for 45 seconds. Reseat DIMM(s). Reconnect it to power.
4. Make sure that DSA and BIOS/uEFI are at the latest level.

Related links

- [Lenovo Support website](#)
- [Latest level of DSA](#)

- **201-886-003 : Standalone Memory Test Aborted**

Memory Upper limit is less than 16 Mbytes.

Recoverable

No

Severity

Warning

Serviceable

No

Automatically notify support

No

User Response

Complete the following steps:

1. Perform the actions mentioned one at a time and try the test after each action.
2. If the problem remains, contact your technical-service representative.
3. Turn off the system and disconnect it from power. Wait for 45 seconds. Reseat DIMM(s). Reconnect it to power.

4. Make sure that DSA and BIOS/uEFI are at the latest level.

Related links

- [Lenovo Support website](#)
- [Latest level of DSA](#)

• **201-899-000 : Standalone Memory Test Aborted**

Memory Diagnostics Test Aborted by user.

Recoverable

No

Severity

Warning

Serviceable

No

Automatically notify support

No

Related links

- [Lenovo Support website](#)
- [Latest level of DSA](#)

• **201-899-001 : Standalone Memory Test Aborted**

Memory Diagnostics Test Aborted by user.

Recoverable

No

Severity

Warning

Serviceable

No

Automatically notify support

No

Related links

- [Lenovo Support website](#)
- [Latest level of DSA](#)

• **201-899-002 : Standalone Memory Test Aborted**

Memory Diagnostics Test Aborted by user.

Recoverable

No

Severity

Warning

Serviceable

No

Automatically notify support

No

Related links

- [Lenovo Support website](#)
- [Latest level of DSA](#)

• **201-899-003 : Standalone Memory Test Aborted**

Memory Diagnostics Test Aborted by user.

Recoverable

No

Severity

Warning

Serviceable

No

Automatically notify support

No

Related links

- [Lenovo Support website](#)
- [Latest level of DSA](#)

• **201-901-000 : Standalone Memory Test Failed**

Memory Diagnostics Test Failed.

Recoverable

No

Severity

Error

Serviceable

Yes

Automatically notify support

No

User Response

Complete the following steps:

1. Perform the actions mentioned one at a time and try the test after each action.
2. If the problem remains, contact your technical-service representative.
3. Turn off the system and disconnect it from power. Wait for 45 seconds. Reseat DIMM(s). Reconnect it to power.
4. Make sure that DSA and BIOS/uEFI are at the latest level.
5. Replace any DIMMS(s) mentioned in error, one by one.
6. Make sure that all DIMMs are enabled in the Configuration/Setup Utility program.
7. If failure remains, refer to "Troubleshooting by symptom" in the system "Installation and Service Guide" for the next corrective action.

Related links

- [Lenovo Support website](#)
- [Latest level of DSA](#)

• **201-901-001 : Standalone Memory Test Failed**

Memory Diagnostics Test Failed.

Recoverable

No

Severity

Error

Serviceable

Yes

Automatically notify support

No

User Response

Complete the following steps:

1. Perform the actions mentioned one at a time and try the test after each action.
2. If the problem remains, contact your technical-service representative.
3. Turn off the system and disconnect it from power. Wait for 45 seconds. Reseat DIMM(s). Reconnect it to power.
4. Make sure that DSA and BIOS/uEFI are at the latest level.
5. Replace any DIMMS(s) mentioned in error, one by one.
6. Make sure that all DIMMs are enabled in the Configuration/Setup Utility program.
7. If failure remains, refer to "Troubleshooting by symptom" in the system "Installation and Service Guide" for the next corrective action.

Related links

- [Lenovo Support website](#)
- [Latest level of DSA](#)

• **201-901-002 : Standalone Memory Test Failed**

Memory Diagnostics Test Failed.

Recoverable

No

Severity

Error

Serviceable

Yes

Automatically notify support

No

User Response

Complete the following steps:

1. Perform the actions mentioned one at a time and try the test after each action.
2. If the problem remains, contact your technical-service representative.
3. Turn off the system and disconnect it from power. Wait for 45 seconds. Reseat DIMM(s). Reconnect it to power.
4. Make sure that DSA and BIOS/uEFI are at the latest level.
5. Replace any DIMMS(s) mentioned in error, one by one.
6. Make sure that all DIMMs are enabled in the Configuration/Setup Utility program.
7. If failure remains, refer to "Troubleshooting by symptom" in the system "Installation and Service Guide" for the next corrective action.

Related links

- [Lenovo Support website](#)
- [Latest level of DSA](#)

• **201-901-003 : Standalone Memory Test Failed**

Memory Diagnostics Test Failed.

Recoverable

No

Severity

Error

Serviceable

Yes

Automatically notify support

No

User Response

Complete the following steps:

1. Perform the actions mentioned one at a time and try the test after each action.
2. If the problem remains, contact your technical-service representative.
3. Turn off the system and disconnect it from power. Wait for 45 seconds. Reseat DIMM(s). Reconnect it to power.
4. Make sure that DSA and BIOS/uEFI are at the latest level.
5. Replace any DIMMS(s) mentioned in error, one by one.
6. Make sure that all DIMMs are enabled in the Configuration/Setup Utility program.
7. If failure remains, refer to "Troubleshooting by symptom" in the system "Installation and Service Guide" for the next corrective action.

Related links

- [Lenovo Support website](#)
- [Latest level of DSA](#)

DSA memory stress test results

The following messages can result when you run the memory stress test.

Test results for the DSA memory stress test

The following messages can result when you run the DSA memory stress test.

- **202-000-000 : MemStr Test Passed**

Test Passed.

Recoverable

No

Severity

Event

Serviceable

No

Automatically notify support

No

Related links

- [Lenovo Support website](#)
- [Latest level of DSA](#)

- **202-801-000 : MemStr Test Aborted**

Internal program error.

Recoverable

No

Severity

Warning

Serviceable

Yes

Automatically notify support

No

User Response

Complete the following steps:

1. Turn off and restart the system.
2. Make sure that the DSA Diagnostic code is at the latest level.
3. Run the test again.
4. If the system has stopped responding, turn off and restart the system.
5. Check the system firmware level and upgrade if necessary.
6. Run the memory diagnostic to identify the specific failing DIMM.
7. If the failure remains, refer to "Troubleshooting by symptom" in the system "Installation and Service Guide" for the next corrective action.

Related links

- [Lenovo Support website](#)
- [Latest level of DSA](#)

- **202-802-000 : MemStr Test Aborted**

Memory size is insufficient to run the test. At least 1 GB is required.

Recoverable

No

Severity

Warning

Serviceable

Yes

Automatically notify support

No

Related links

- [Lenovo Support website](#)
- [Latest level of DSA](#)

- **202-803-000 : MemStr Test Aborted**

User pressed Ctrl-C.

Recoverable

No

Severity

Warning

Serviceable

Yes

Automatically notify support

No

Related links

- [Lenovo Support website](#)
- [Latest level of DSA](#)

• **202-901-000 : MemStr Test Failed**

Test Failed.

Recoverable

No

Severity

Error

Serviceable

Yes

Automatically notify support

No

User Response

Complete the following steps:

1. Execute the standard DSA memory diagnostics to validate all memory.
2. Make sure that the DSA Diagnostic code is at the latest level.
3. Turn off the system and disconnect it from power.
4. Reseat the memory cards and DIMMs.
5. Reconnect the system to power and turn the system on.
6. Run the test again.
7. Execute the standard DSA memory diagnostics to validate all memory.
8. If the failure remains, refer to "Troubleshooting by symptom" in the system "Installation and Service Guide" for the next corrective action.

Related links

- [Lenovo Support website](#)
- [Latest level of DSA](#)

• **202-902-000 : MemStr Test Failed**

Memory size is insufficient to run the test.

Recoverable

No

Severity

Error

Serviceable

Yes

Automatically notify support

No

User Response

Complete the following steps:

1. Ensure that all memory is enabled by checking the "Available System Memory" in the "Resource Utilization" section of the DSA Diagnostic Event log.

2. If necessary, access the Configuration/Setup Utility program by pressing F1 during system boot and enable all memory.
3. Make sure that the DSA Diagnostic code is at the latest level.
4. Run the test again.
5. Execute the standard DSA memory diagnostics to validate all memory.
6. If the failure remains, refer to "Troubleshooting by symptom" in the system "Installation and Service Guide" for the next corrective action.

Related links

- [Lenovo Support website](#)
- [Latest level of DSA](#)

DSA Nvidia GPU test results

The following messages can result when you run the Nvidia GPU test.

Test results for the DSA Nvidia GPU test

The following messages can result when you run the DSA Nvidia GPU test.

- **409-000-000 : NVIDIA User Diagnostic Test Passed**

NVIDIA User Diagnostic test passed.

Recoverable

No

Severity

Event

Serviceable

No

Automatically notify support

No

Related links

- [Lenovo Support website](#)
- [Latest level of DSA](#)

- **409-003-000 : Nvidia::DiagnosticServiceProvider::Bandwidth Test Passed**

Nvidia GPU Bandwidth test passed.

Recoverable

No

Severity

Event

Serviceable

No

Automatically notify support

No

Related links

- [Lenovo Support website](#)
- [Latest level of DSA](#)

- **409-004-000 : Nvidia::DiagnosticServiceProvider::Query Test Passed**

Nvidia GPU Query test passed.

Recoverable

No

Severity

Event

Serviceable

No

Automatically notify support

No

Related links

- [Lenovo Support website](#)
- [Latest level of DSA](#)

• **409-005-000 : Nvidia::DiagnosticServiceProvider::Matrix Test Passed**

Nvidia GPU Matrix test passed.

Recoverable

No

Severity

Event

Serviceable

No

Automatically notify support

No

Related links

- [Lenovo Support website](#)
- [Latest level of DSA](#)

• **409-006-000 : Nvidia::DiagnosticServiceProvider::Binomial Test Passed**

Nvidia GPU Binomial test passed.

Recoverable

No

Severity

Event

Serviceable

No

Automatically notify support

No

Related links

- [Lenovo Support website](#)
- [Latest level of DSA](#)

• **409-800-000 : NVIDIA User Diagnostic Test Aborted**

NVIDIA User Diagnostic test was canceled.

Recoverable

No

Severity

Event

Serviceable

No

Automatically notify support

No

Related links

- [Lenovo Support website](#)
- [Latest level of DSA](#)

• **409-803-000 : Nvidia::DiagnosticServiceProvider::Bandwidth Test Aborted**

Nvidia GPU Bandwidth test was canceled.

Recoverable

No

Severity

Warning

Serviceable

No

Automatically notify support

No

Related links

- [Lenovo Support website](#)
- [Latest level of DSA](#)

• **409-804-000 : Nvidia::DiagnosticServiceProvider::Query Test Aborted**

Nvidia GPU Query test was canceled.

Recoverable

No

Severity

Warning

Serviceable

No

Automatically notify support

No

Related links

- [Lenovo Support website](#)
- [Latest level of DSA](#)

• **409-805-000 : Nvidia::DiagnosticServiceProvider::Matrix Test Aborted**

Nvidia GPU Matrix test was canceled.

Recoverable

No

Severity

Warning

Serviceable

No

Automatically notify support

No

Related links

- [Lenovo Support website](#)
- [Latest level of DSA](#)

• **409-806-000 : Nvidia::DiagnosticServiceProvider::Binomial Test Aborted**

Nvidia GPU Binomial test was canceled.

Recoverable

No

Severity

Warning

Serviceable

No

Automatically notify support

No

Related links

- [Lenovo Support website](#)
- [Latest level of DSA](#)

• **409-900-000 : NVIDIA User Diagnostic Test Failed**

NVIDIA User Diagnostic Test Failed.

Recoverable

No

Severity

Event

Serviceable

Yes

Automatically notify support

No

User Response

Complete the following steps:

1. Verify that the GPU is seated in the PCIe slot correctly by reseating the GPU. Then power cycle the system.
2. Verify that the power connectors to the GPU are connected firmly. Then power cycle the system.
3. Run nvidia-smi -q In some cases this will report a poorly connected power cable.
4. Rerun the diagnostics, using the same GPU, on system that is known to be working. A variety of system issues can cause diagnostic failure.
5. If the problem remains, contact your IBM technical-support representative.

Related links

- [Lenovo Support website](#)
- [Latest level of DSA](#)

• **409-903-000 : Nvidia::DiagnosticServiceProvider::Bandwidth Test Failed**

Nvidia GPU Bandwidth Test Failed.

Recoverable

No

Severity

Error

Serviceable

Yes

Automatically notify support

No

User Response

Complete the following steps:

1. Verify that the GPU is seated in the PCIe slot correctly by reseating the GPU. Then power cycle the system.
2. Verify that the power connectors to the GPU are connected firmly. Then power cycle the system.
3. Run `nvidia-smi -q` In some cases this will report a poorly connected power cable.
4. Rerun the diagnostics, using the same GPU, on system that is known to be working. A variety of system issues can cause diagnostic failure.
5. If the problem remains, contact your IBM technical-support representative.

Related links

- [Lenovo Support website](#)
- [Latest level of DSA](#)

- **409-904-000 : Nvidia::DiagnosticServiceProvider::Query Test Failed**

Nvidia GPU Query Test Failed.

Recoverable

No

Severity

Error

Serviceable

Yes

Automatically notify support

No

User Response

Complete the following steps:

1. Verify that the GPU is seated in the PCIe slot correctly by reseating the GPU. Then power cycle the system.
2. Verify that the power connectors to the GPU are connected firmly. Then power cycle the system.
3. Run `nvidia-smi -q` In some cases this will report a poorly connected power cable.
4. Rerun the diagnostics, using the same GPU, on system that is known to be working. A variety of system issues can cause diagnostic failure.
5. If the problem remains, contact your IBM technical-support representative.

Related links

- [Lenovo Support website](#)
- [Latest level of DSA](#)

- **409-905-000 : Nvidia::DiagnosticServiceProvider::Matrix Test Failed**

Nvidia GPU Matrix Test Failed.

Recoverable

No

Severity

Error

Serviceable

Yes

Automatically notify support

No

User Response

Complete the following steps:

1. Verify that the GPU is seated in the PCIe slot correctly by reseating the GPU. Then power cycle the system.
2. Verify that the power connectors to the GPU are connected firmly. Then power cycle the system.
3. Run `nvidia-smi -q` In some cases this will report a poorly connected power cable.
4. Rerun the diagnostics, using the same GPU, on system that is known to be working. A variety of system issues can cause diagnostic failure.
5. If the problem remains, contact your IBM technical-support representative.

Related links

- [Lenovo Support website](#)
- [Latest level of DSA](#)

- **409-906-000 : Nvidia::DiagnosticServiceProvider::Binomial Test Failed**

Nvidia GPU Binomial Test Failed.

Recoverable

No

Severity

Error

Serviceable

Yes

Automatically notify support

No

User Response

Complete the following steps:

1. Verify that the GPU is seated in the PCIe slot correctly by reseating the GPU. Then power cycle the system.
2. Verify that the power connectors to the GPU are connected firmly. Then power cycle the system.
3. Run `nvidia-smi -q` In some cases this will report a poorly connected power cable.
4. Rerun the diagnostics, using the same GPU, on system that is known to be working. A variety of system issues can cause diagnostic failure.
5. If the problem remains, contact your IBM technical-support representative.

Related links

- [Lenovo Support website](#)
- [Latest level of DSA](#)

DSA optical drive test results

The following messages can result when you run the optical drive test.

Test results for the DSA optical drive test

The following messages can result when you run the DSA optical drive test.

- **215-000-000 : Optical Drive Test Passed**

Optical Drive Test Passed.

Recoverable

No

Severity

Event

Serviceable

No

Automatically notify support

No

Related links

- [Lenovo Support website](#)
- [Latest level of DSA](#)

- **215-801-000 : Optical Drive Test Aborted**

Optical Drive Test Aborted. Unable to communicate with driver.

Recoverable

No

Severity

Warning

Serviceable

Yes

Automatically notify support

No

User Response

Complete the following steps:

1. Make sure that the DSA Diagnostic code is at the latest level.
2. Run the test again.
3. Check the drive cabling for loose or broken connections at both ends or damage to the cable. Replace the cable if damage is present.
4. Run the test again.
5. Check system firmware level and upgrade if necessary. The installed firmware level can be found in the DSA Diagnostic Event Log within the Firmware/VPD section for this component.
6. Run the test again.

Related links

- [Lenovo Support website](#)
- [Latest level of DSA](#)

- **215-802-000 : Optical Drive Test Aborted**

Optical Drive Test Aborted. A read error was encountered.

Recoverable

No

Severity

Warning

Serviceable

Yes

Automatically notify support

No

User Response

Complete the following steps:

1. Insert a new CD or DVD into the drive and wait for 15 seconds for the media to be recognized. Rerun the test.
2. Check the drive cabling for loose or broken connections at both ends or damage to the cable. Replace the cable if damage is present.
3. Run the test again.
4. If failure remains, refer to "Troubleshooting by symptom" in the system "Installation and Service Guide" for the next corrective action.

Related links

- [Lenovo Support website](#)
- [Latest level of DSA](#)

- **215-803-000 : Optical Drive Test Failed**

Optical Drive Test Failed. Disk may be in use by the operating system.

Recoverable

No

Severity

Error

Serviceable

Yes

Automatically notify support

No

User Response

Complete the following steps:

1. Wait for the system activity to cease
2. Run the test again
3. Turn off and restart the system.
4. Run the test again.

Related links

- [Lenovo Support website](#)
- [Latest level of DSA](#)

- **215-804-000 : Optical Drive Test Aborted**

Optical Drive Test Aborted. The media tray is open.

Recoverable

No

Severity

Warning

Serviceable

Yes

Automatically notify support

No

User Response

Complete the following steps:

1. Close the media tray and wait for 15 seconds for the media to be recognized. Run the test again.
2. Insert a new CD or DVD into the drive and wait for 15 seconds for the media to be recognized. Rerun the test.
3. Check the drive cabling for loose or broken connections at both ends or damage to the cable. Replace the cable if damage is present.
4. Run the test again.
5. If failure remains, refer to "Troubleshooting by symptom" in the system "Installation and Service Guide" for the next corrective action.

Related links

- [Lenovo Support website](#)
- [Latest level of DSA](#)

- **215-901-000 : Optical Drive Test Aborted**

Optical Drive Test Aborted. Drive media is not detected.

Recoverable

No

Severity

Warning

Serviceable

Yes

Automatically notify support

No

User Response

Complete the following steps:

1. Insert a new CD or DVD into the drive and wait for 15 seconds for the media to be recognized. Rerun the test.
2. Check the drive cabling for loose or broken connections at both ends or damage to the cable. Replace the cable if damage is present.
3. Run the test again.
4. If failure remains, refer to "Troubleshooting by symptom" in the system "Installation and Service Guide" for the next corrective action.

Related links

- [Lenovo Support website](#)
- [Latest level of DSA](#)

- **215-902-000 : Optical Drive Test Failed**

Optical Drive Test Failed. Read miscompare.

Recoverable

No

Severity

Error

Serviceable

Yes

Automatically notify support

No

User Response

Complete the following steps:

1. Insert a new CD or DVD into the drive and wait for 15 seconds for the media to be recognized. Rerun the test.
2. Check the drive cabling for loose or broken connections at both ends or damage to the cable. Replace the cable if damage is present.
3. Run the test again.
4. If failure remains, refer to "Troubleshooting by symptom" in the system "Installation and Service Guide" for the next corrective action.

Related links

- [Lenovo Support website](#)
- [Latest level of DSA](#)

• **215-903-000 : Optical Drive Test Aborted**

Optical Drive Test Aborted. Could not access the device.

Recoverable

No

Severity

Warning

Serviceable

Yes

Automatically notify support

No

User Response

Complete the following steps:

1. Insert a new CD or DVD into the drive and wait for 15 seconds for the media to be recognized. Rerun the test.
2. Check the drive cabling for loose or broken connections at both ends or damage to the cable. Replace the cable if damage is present.
3. Run the test again.
4. Check system firmware level and upgrade if necessary. The installed firmware level can be found in the DSA Diagnostic Event Log within the Firmware/VPD section for this component.
5. Run the test again.
6. If failure remains, refer to "Troubleshooting by symptom" in the system "Installation and Service Guide" for the next corrective action.

Related links

- [Lenovo Support website](#)
- [Latest level of DSA](#)

DSA system management test results

The following messages can result when you run the system management test.

Test results for the DSA system management test

The following messages can result when you run the DSA system management test.

- **166-000-001 : IMM I2C Test Passed**

IMM I2C Test Passed.

Recoverable

No

Severity

Event

Serviceable

No

Automatically notify support

No

Related links

- [Lenovo Support website](#)
- [Latest level of DSA](#)

- **166-801-001 : IMM I2C Test Aborted**

IMM returned incorrect response length.

Recoverable

No

Severity

Warning

Serviceable

Yes

Automatically notify support

No

User Response

Perform the actions mentioned one at a time and try the test after each action:

1. Turn off the system and disconnect it from power. Wait for 45 seconds. Reconnect it to power.
2. Make sure that DSA and BMC/IMM are at the latest level.

Related links

- [Lenovo Support website](#)
- [Latest level of DSA](#)

- **166-802-001 : IMM I2C Test Aborted**

Test cannot be completed for unknown reason.

Recoverable

No

Severity

Warning

Serviceable

Yes

Automatically notify support

No

User Response

Perform the actions mentioned one at a time and try the test after each action:

1. Turn off the system and disconnect it from power. Wait for 45 seconds. Reconnect it to power.
2. Make sure that DSA and BMC/IMM are at the latest level.

Related links

- [Lenovo Support website](#)
- [Latest level of DSA](#)

- **166-803-001 : IMM I2C Test Aborted**

Node Busy. Try later.

Recoverable

No

Severity

Warning

Serviceable

Yes

Automatically notify support

No

User Response

Perform the actions mentioned one at a time and try the test after each action:

1. Turn off the system and disconnect it from power. Wait for 45 seconds. Reconnect it to power.
2. Make sure that DSA and BMC/IMM are at the latest level.

Related links

- [Lenovo Support website](#)
- [Latest level of DSA](#)

- **166-804-001 : IMM I2C Test Aborted**

Invalid Command.

Recoverable

No

Severity

Warning

Serviceable

Yes

Automatically notify support

No

User Response

Perform the actions mentioned one at a time and try the test after each action:

1. Turn off the system and disconnect it from power. Wait for 45 seconds. Reconnect it to power.
2. Make sure that DSA and BMC/IMM are at the latest level.

Related links

- [Lenovo Support website](#)
- [Latest level of DSA](#)

- **166-805-001 : IMM I2C Test Aborted**

Invalid Command for given LUN.

Recoverable

No

Severity

Warning

Serviceable

Yes

Automatically notify support

No

User Response

Perform the actions mentioned one at a time and try the test after each action:

1. Turn off the system and disconnect it from power. Wait for 45 seconds. Reconnect it to power.
2. Make sure that DSA and BMC/IMM are at the latest level.

Related links

- [Lenovo Support website](#)
- [Latest level of DSA](#)

- **166-806-001 : IMM I2C Test Aborted**

Timeout while processing command.

Recoverable

No

Severity

Warning

Serviceable

Yes

Automatically notify support

No

User Response

Perform the actions mentioned one at a time and try the test after each action:

1. Turn off the system and disconnect it from power. Wait for 45 seconds. Reconnect it to power.
2. Make sure that DSA and BMC/IMM are at the latest level.

Related links

- [Lenovo Support website](#)
- [Latest level of DSA](#)

- **166-807-001 : IMM I2C Test Aborted**

Out of space.

Recoverable

No

Severity

Warning

Serviceable

Yes

Automatically notify support

No

User Response

Perform the actions mentioned one at a time and try the test after each action:

1. Turn off the system and disconnect it from power. Wait for 45 seconds. Reconnect it to power.
2. Make sure that DSA and BMC/IMM are at the latest level.

Related links

- [Lenovo Support website](#)
- [Latest level of DSA](#)

• **166-808-001 : IMM I2C Test Aborted**

Reservation Canceled or Invalid Reservation ID.

Recoverable

No

Severity

Warning

Serviceable

Yes

Automatically notify support

No

User Response

Perform the actions mentioned one at a time and try the test after each action:

1. Turn off the system and disconnect it from power. Wait for 45 seconds. Reconnect it to power.
2. Make sure that DSA and BMC/IMM are at the latest level.

Related links

- [Lenovo Support website](#)
- [Latest level of DSA](#)

• **166-809-001 : IMM I2C Test Aborted**

Request data truncated.

Recoverable

No

Severity

Warning

Serviceable

Yes

Automatically notify support

No

User Response

Perform the actions mentioned one at a time and try the test after each action:

1. Turn off the system and disconnect it from power. Wait for 45 seconds. Reconnect it to power.
2. Make sure that DSA and BMC/IMM are at the latest level.

Related links

- [Lenovo Support website](#)

- [Latest level of DSA](#)

- **166-810-001 : IMM I2C Test Aborted**

Request data length invalid.

Recoverable

No

Severity

Warning

Serviceable

Yes

Automatically notify support

No

User Response

Perform the actions mentioned one at a time and try the test after each action:

1. Turn off the system and disconnect it from power. Wait for 45 seconds. Reconnect it to power.
2. Make sure that DSA and BMC/IMM are at the latest level.

Related links

- [Lenovo Support website](#)
- [Latest level of DSA](#)

- **166-811-001 : IMM I2C Test Aborted**

Request data field length limit exceeded.

Recoverable

No

Severity

Warning

Serviceable

Yes

Automatically notify support

No

User Response

Perform the actions mentioned one at a time and try the test after each action:

1. Turn off the system and disconnect it from power. Wait for 45 seconds. Reconnect it to power.
2. Make sure that DSA and BMC/IMM are at the latest level.

Related links

- [Lenovo Support website](#)
- [Latest level of DSA](#)

- **166-812-001 : IMM I2C Test Aborted**

Parameter out of range.

Recoverable

No

Severity

Warning

Serviceable

Yes

Automatically notify support

No

User Response

Perform the actions mentioned one at a time and try the test after each action:

1. Turn off the system and disconnect it from power. Wait for 45 seconds. Reconnect it to power.
2. Make sure that DSA and BMC/IMM are at the latest level.

Related links

- [Lenovo Support website](#)
- [Latest level of DSA](#)

- **166-813-001 : IMM I2C Test Aborted**

Cannot return number of requested data bytes.

Recoverable

No

Severity

Warning

Serviceable

Yes

Automatically notify support

No

User Response

Perform the actions mentioned one at a time and try the test after each action:

1. Turn off the system and disconnect it from power. Wait for 45 seconds. Reconnect it to power.
2. Make sure that DSA and BMC/IMM are at the latest level.

Related links

- [Lenovo Support website](#)
- [Latest level of DSA](#)

- **166-814-001 : IMM I2C Test Aborted**

Requested Sensor, data, or record not present.

Recoverable

No

Severity

Warning

Serviceable

Yes

Automatically notify support

No

User Response

Perform the actions mentioned one at a time and try the test after each action:

1. Turn off the system and disconnect it from power. Wait for 45 seconds. Reconnect it to power.
2. Make sure that DSA and BMC/IMM are at the latest level.

Related links

- [Lenovo Support website](#)
- [Latest level of DSA](#)

- **166-815-001 : IMM I2C Test Aborted**

Invalid data field in Request.

Recoverable

No

Severity

Warning

Serviceable

Yes

Automatically notify support

No

User Response

Perform the actions mentioned one at a time and try the test after each action:

1. Turn off the system and disconnect it from power. Wait for 45 seconds. Reconnect it to power.
2. Make sure that DSA and BMC/IMM are at the latest level.

Related links

- [Lenovo Support website](#)
- [Latest level of DSA](#)

• **166-816-001 : IMM I2C Test Aborted**

Command illegal for specified sensor or record type.

Recoverable

No

Severity

Warning

Serviceable

Yes

Automatically notify support

No

User Response

Perform the actions mentioned one at a time and try the test after each action:

1. Turn off the system and disconnect it from power. Wait for 45 seconds. Reconnect it to power.
2. Make sure that DSA and BMC/IMM are at the latest level.

Related links

- [Lenovo Support website](#)
- [Latest level of DSA](#)

• **166-817-001 : IMM I2C Test Aborted**

Command response could not be provided.

Recoverable

No

Severity

Warning

Serviceable

Yes

Automatically notify support

No

User Response

Perform the actions mentioned one at a time and try the test after each action:

1. Turn off the system and disconnect it from power. Wait for 45 seconds. Reconnect it to power.
2. Make sure that DSA and BMC/IMM are at the latest level.

Related links

- [Lenovo Support website](#)
- [Latest level of DSA](#)

- **166-818-001 : IMM I2C Test Aborted**

Cannot execute duplicated request.

Recoverable

No

Severity

Warning

Serviceable

Yes

Automatically notify support

No

User Response

Perform the actions mentioned one at a time and try the test after each action:

1. Turn off the system and disconnect it from power. Wait for 45 seconds. Reconnect it to power.
2. Make sure that DSA and BMC/IMM are at the latest level.

Related links

- [Lenovo Support website](#)
- [Latest level of DSA](#)

- **166-819-001 : IMM I2C Test Aborted**

Command response could not be provided. SDR Repository in?update mode.

Recoverable

No

Severity

Warning

Serviceable

Yes

Automatically notify support

No

User Response

Perform the actions mentioned one at a time and try the test after each action:

1. Turn off the system and disconnect it from power. Wait for 45 seconds. Reconnect it to power.
2. Make sure that DSA and BMC/IMM are at the latest level.

Related links

- [Lenovo Support website](#)
- [Latest level of DSA](#)

- **166-820-001 : IMM I2C Test Aborted**

Command response could not be provided. Device in firmware update mode.

Recoverable

No

Severity

Warning

Serviceable

Yes

Automatically notify support

No

User Response

Perform the actions mentioned one at a time and try the test after each action:

1. Turn off the system and disconnect it from power. Wait for 45 seconds. Reconnect it to power.
2. Make sure that DSA and BMC/IMM are at the latest level.

Related links

- [Lenovo Support website](#)
- [Latest level of DSA](#)

- **166-821-001 : IMM I2C Test Aborted**

Command response could not be provided. BMC initialization in progress.

Recoverable

No

Severity

Warning

Serviceable

Yes

Automatically notify support

No

User Response

Perform the actions mentioned one at a time and try the test after each action:

1. Turn off the system and disconnect it from power. Wait for 45 seconds. Reconnect it to power.
2. Make sure that DSA and BMC/IMM are at the latest level.

Related links

- [Lenovo Support website](#)
- [Latest level of DSA](#)

- **166-822-001 : IMM I2C Test Aborted**

Destination unavailable.

Recoverable

No

Severity

Warning

Serviceable

Yes

Automatically notify support

No

User Response

Perform the actions mentioned one at a time and try the test after each action:

1. Turn off the system and disconnect it from power. Wait for 45 seconds. Reconnect it to power.
2. Make sure that DSA and BMC/IMM are at the latest level.

Related links

- [Lenovo Support website](#)
- [Latest level of DSA](#)

• **166-823-001 : IMM I2C Test Aborted**

Cannot execute command. Insufficient privilege level.

Recoverable

No

Severity

Warning

Serviceable

Yes

Automatically notify support

No

User Response

Perform the actions mentioned one at a time and try the test after each action:

1. Turn off the system and disconnect it from power. Wait for 45 seconds. Reconnect it to power.
2. Make sure that DSA and BMC/IMM are at the latest level.

Related links

- [Lenovo Support website](#)
- [Latest level of DSA](#)

• **166-824-001 : IMM I2C Test Aborted**

Cannot execute command.

Recoverable

No

Severity

Warning

Serviceable

Yes

Automatically notify support

No

User Response

Perform the actions mentioned one at a time and try the test after each action:

1. Turn off the system and disconnect it from power. Wait for 45 seconds. Reconnect it to power.
2. Make sure that DSA and BMC/IMM are at the latest level.

Related links

- [Lenovo Support website](#)
- [Latest level of DSA](#)

• **166-901-001 : IMM I2C Test Failed**

IMM Indicates failure in RTMM bus (BUS 0).

Recoverable

No

Severity

Error

Serviceable

Yes

Automatically notify support

No

User Response

Perform the actions mentioned one at a time and try the test after each action:

1. Turn off the system and disconnect it from power. Wait for 45 seconds. Reconnect it to power.
2. Make sure that DSA and BMC/IMM are at the latest level.
3. Run the test again.
4. If failure remains, refer to "Troubleshooting by symptom" in the system "Installation and Service Guide" for the next corrective action.

Related links

- [Lenovo Support website](#)
- [Latest level of DSA](#)

• **166-904-001 : IMM I2C Test Failed**

IMM Indicates failure in PCA9545 (I2C I/O Expander) bus (BUS 3).

Recoverable

No

Severity

Error

Serviceable

Yes

Automatically notify support

No

User Response

Perform the actions mentioned one at a time and try the test after each action:

1. Turn off the system and disconnect it from power. Wait for 45 seconds. Reconnect it to power.
2. Make sure that DSA and BMC/IMM are at the latest level.
3. Run the test again.
4. If failure remains, refer to "Troubleshooting by symptom" in the system "Installation and Service Guide" for the next corrective action.

Related links

- [Lenovo Support website](#)
- [Latest level of DSA](#)

• **166-905-001 : IMM I2C Test Failed**

IMM Indicates failure in PSU 1 bus (BUS 4).

Recoverable

No

Severity

Error

Serviceable

Yes

Automatically notify support

No

User Response

Perform the actions mentioned one at a time and try the test after each action:

1. Turn off the system and disconnect it from power. Wait for 45 seconds. Reconnect it to power.
2. Make sure that DSA and BMC/IMM are at the latest level.
3. Run the test again.
4. If failure remains, refer to "Troubleshooting by symptom" in the system "Installation and Service Guide" for the next corrective action.

Related links

- [Lenovo Support website](#)
- [Latest level of DSA](#)

- **166-907-001 : IMM I2C Test Failed**

IMM Indicates failure in the LM75 (Thermal Sensor) bus (BUS 6).

Recoverable

No

Severity

Error

Serviceable

Yes

Automatically notify support

No

User Response

Perform the actions mentioned one at a time and try the test after each action:

1. Turn off the system and disconnect it from power. Wait for 45 seconds. Reconnect it to power.
2. Make sure that DSA and BMC/IMM are at the latest level.
3. Run the test again.
4. If failure remains, refer to "Troubleshooting by symptom" in the system "Installation and Service Guide" for the next corrective action.

Related links

- [Lenovo Support website](#)
- [Latest level of DSA](#)

- **166-908-001 : IMM I2C Test Failed**

IMM Indicates failure in the PCA9539 (I2C I/O Expander) bus (BUS 7).

Recoverable

No

Severity

Error

Serviceable

Yes

Automatically notify support

No

User Response

Perform the actions mentioned one at a time and try the test after each action:

1. Turn off the system and disconnect it from power. Wait for 45 seconds. Reconnect it to power.
2. Make sure that DSA and BMC/IMM are at the latest level.
3. Run the test again.
4. If failure remains, refer to "Troubleshooting by symptom" in the system "Installation and Service Guide" for the next corrective action.

Related links

- [Lenovo Support website](#)
- [Latest level of DSA](#)

DSA tape drive test results

The following messages can result when you run the tape drive test.

Test results for the DSA tape drive test

The following messages can result when you run the DSA tape drive test.

- **264-000-000 : Tape Test Passed**

Tape Test Passed.

Recoverable

No

Severity

Event

Serviceable

No

Automatically notify support

No

Related links

- [Lenovo Support website](#)
- [Latest level of DSA](#)

- **264-901-000 : Tape Test Failed**

An error was found in the tape alert log.

Recoverable

No

Severity

Error

Serviceable

Yes

Automatically notify support

No

User Response

Complete the following steps:

1. Clean the tape drive using the appropriate cleaning media and install new media.
2. Run the test again.
3. Clear the error log.
4. Run the test again.
5. Make sure that the drive firmware is at the latest level.
6. Rerun the test after upgrading to the latest firmware level.
7. If the failure remains, refer to "Troubleshooting by symptom" in the system "Installation and Service Guide" for the next corrective action.

Related links

- [Lenovo Support website](#)
- [Latest level of DSA](#)

• 264-902-000 : Tape Test Failed

Tape Test Failed. Media is not detected.

Recoverable

No

Severity

Error

Serviceable

Yes

Automatically notify support

No

User Response

Complete the following steps:

1. Clean the tape drive using the appropriate cleaning media and install new media.
2. Run the test again.
3. Make sure that the drive firmware is at the latest level.
4. Rerun the test after upgrading to the latest firmware level.
5. If the failure remains, refer to "Troubleshooting by symptom" in the system "Installation and Service Guide" for the next corrective action.

Related links

- [Lenovo Support website](#)
- [Latest level of DSA](#)

• 264-903-000 : Tape Test Failed

Tape Test Failed. Media is not detected.

Recoverable

No

Severity

Error

Serviceable

Yes

Automatically notify support

No

User Response

Complete the following steps:

1. Clean the tape drive using the appropriate cleaning media and install new media.
2. Run the test again.
3. Make sure that the drive firmware is at the latest level.
4. Rerun the test after upgrading to the latest firmware level.
5. If the failure remains, refer to "Troubleshooting by symptom" in the system "Installation and Service Guide" for the next corrective action.

Related links

- [Lenovo Support website](#)
- [Latest level of DSA](#)

• **264-904-000 : Tape Test Failed**

Tape Test Failed. Drive hardware error.

Recoverable

No

Severity

Error

Serviceable

Yes

Automatically notify support

No

User Response

Complete the following steps:

1. Check the tape drive cabling for loose or broken connections or damage to the cable. Replace the cable if damage is present.
2. Clean the tape drive using the appropriate cleaning media and install new media.
3. Run the test again.
4. Make sure that the drive firmware is at the latest level.
5. Rerun the test after upgrading to the latest firmware level.
6. If the failure remains, refer to "Troubleshooting by symptom" in the system "Installation and Service Guide" for the next corrective action.

Related links

- [Lenovo Support website](#)
- [Latest level of DSA](#)

• **264-905-000 : Tape Test Failed**

Tape Test Failed. Software error: invalid request.

Recoverable

No

Severity

Error

Serviceable

Yes

Automatically notify support

No

User Response

Complete the following steps:

1. If the system has stopped responding, turn off and restart the system.
2. Check the system firmware level and upgrade if necessary. The installed firmware level can be found in the DSA Diagnostic Event Log within the Firmware/VPD section for this component.
3. Run the test again.
4. If the system has stopped responding, turn off and restart the system.
5. Make sure that the drive firmware is at the latest level.
6. Run the test again.
7. If the failure remains, refer to "Troubleshooting by symptom" in the system "Installation and Service Guide" for the next corrective action.

Related links

- [Lenovo Support website](#)
- [Latest level of DSA](#)

- **264-906-000 : Tape Test Failed**

Tape Test Failed. Unrecognized error.

Recoverable

No

Severity

Error

Serviceable

Yes

Automatically notify support

No

User Response

Complete the following steps:

1. Clean the tape drive using the appropriate cleaning media and install new media.
2. Run the test again.
3. Make sure that the drive firmware is at the latest level.
4. Rerun the test after upgrading to the latest firmware level.
5. Make sure that the DSA Diagnostic code is at the latest level.
6. Run the test again.
7. Check the system firmware level and upgrade if necessary.
8. Run the test again.
9. If the failure remains, refer to "Troubleshooting by symptom" in the system "Installation and Service Guide" for the next corrective action.

Related links

- [Lenovo Support website](#)
- [Latest level of DSA](#)

- **264-907-000 : Tape Test Failed**

An error was found in the block address somewhere.

Recoverable

No

Severity

Error

Serviceable

Yes

Automatically notify support

No

User Response

Complete the following steps:

1. Clean the tape drive using the appropriate cleaning media and install new media.

Related links

- [Lenovo Support website](#)
- [Latest level of DSA](#)

• 264-908-000 : Tape Test Failed

An error was found in getting tape capacity.

Recoverable

No

Severity

Error

Serviceable

Yes

Automatically notify support

No

User Response

Complete the following steps:

1. Make sure that medium is present.
2. Clean the tape drive using the appropriate cleaning media and install new media.

Related links

- [Lenovo Support website](#)
- [Latest level of DSA](#)

Appendix D. Getting help and technical assistance

If you need help, service, or technical assistance or just want more information about Lenovo products, you will find a wide variety of sources available from Lenovo to assist you.

Use this information to obtain additional information about Lenovo and Lenovo products, and determine what to do if you experience a problem with your Lenovo system or optional device.

Note: This section includes references to IBM web sites and information about obtaining service. IBM is Lenovo's preferred service provider for the System x, Flex System, and NeXtScale System products.

Before you call

Before you call, make sure that you have taken these steps to try to solve the problem yourself.

If you believe that you require warranty service for your Lenovo product, the service technicians will be able to assist you more efficiently if you prepare before you call.

- Check all cables to make sure that they are connected.
- Check the power switches to make sure that the system and any optional devices are turned on.
- Check for updated software, firmware, and operating-system device drivers for your Lenovo product. The Lenovo Warranty terms and conditions state that you, the owner of the Lenovo product, are responsible for maintaining and updating all software and firmware for the product (unless it is covered by an additional maintenance contract). Your service technician will request that you upgrade your software and firmware if the problem has a documented solution within a software upgrade.
- If you have installed new hardware or software in your environment, check <http://www.lenovo.com/serverproven/> to make sure that the hardware and software is supported by your product.
- Go to <http://www.lenovo.com/support> to check for information to help you solve the problem.
- Gather the following information to provide to the service technician. This data will help the service technician quickly provide a solution to your problem and ensure that you receive the level of service for which you might have contracted.
 - Hardware and Software Maintenance agreement contract numbers, if applicable
 - Machine type number (Lenovo 4-digit machine identifier)
 - Model number
 - Serial number
 - Current system UEFI and firmware levels
 - Other pertinent information such as error messages and logs
- Go to http://www.ibm.com/support/entry/portal/Open_service_request to submit an Electronic Service Request. Submitting an Electronic Service Request will start the process of determining a solution to your problem by making the pertinent information available to the service technicians. The IBM service technicians can start working on your solution as soon as you have completed and submitted an Electronic Service Request.

You can solve many problems without outside assistance by following the troubleshooting procedures that Lenovo provides in the online help or in the Lenovo product documentation. The Lenovo product documentation also describes the diagnostic tests that you can perform. The documentation for most systems, operating systems, and programs contains troubleshooting procedures and explanations of error messages and error codes. If you suspect a software problem, see the documentation for the operating system or program.

Using the documentation

Information about your Lenovo system and preinstalled software, if any, or optional device is available in the product documentation. That documentation can include printed documents, online documents, readme files, and help files.

See the troubleshooting information in your system documentation for instructions for using the diagnostic programs. The troubleshooting information or the diagnostic programs might tell you that you need additional or updated device drivers or other software. Lenovo maintains pages on the World Wide Web where you can get the latest technical information and download device drivers and updates. To access these pages, go to <http://www.lenovo.com/support>.

Getting help and information from the World Wide Web

Up-to-date information about Lenovo products and support is available on the World Wide Web.

On the World Wide Web, up-to-date information about Lenovo systems, optional devices, services, and support is available at <http://www.lenovo.com/support>. The most current version of the product documentation is available in the following product-specific Information Centers:

- **Flex System products:**

<http://pic.dhe.ibm.com/infocenter/flexsys/information/index.jsp>

- **System x products:**

<http://shop.lenovo.com/us/en/systems/>

- **NeXtScale System products:**

<http://pic.dhe.ibm.com/infocenter/nxtscale/documentation/index.jsp>

How to send DSA data

You can use the Enhanced Customer Data Repository to send diagnostic data to IBM.

Before you send diagnostic data to IBM, read the terms of use at <http://www.ibm.com/de/support/ecurep/terms.html>.

You can use any of the following methods to send diagnostic data:

- **Standard upload:** http://www.ibm.com/de/support/ecurep/send_http.html
- **Standard upload with the system serial number:** http://www.ecurep.ibm.com/app/upload_hw
- **Secure upload:** http://www.ibm.com/de/support/ecurep/send_http.html#secure
- **Secure upload with the system serial number:** https://www.ecurep.ibm.com/app/upload_hw

Creating a personalized support web page

You can create a personalized support web page by identifying Lenovo products that are of interest to you.

To create a personalized support web page, go to <http://www.ibm.com/support/mynotifications>. From this personalized page, you can subscribe to weekly email notifications about new technical documents, search for information and downloads, and access various administrative services.

Software service and support

Through IBM Support Line, you can get telephone assistance, for a fee, with usage, configuration, and software problems with your Lenovo products.

For more information about Support Line and other IBM services, see <http://www.ibm.com/services> or see <http://www.ibm.com/planetwide> for support telephone numbers. In the U.S. and Canada, call 1-800-IBM-SERV (1-800-426-7378).

Hardware service and support

IBM is Lenovo's preferred service provider for the System x, Flex System and NeXtScale System products.

You can receive hardware service through your Lenovo reseller or from IBM. To locate a reseller authorized by Lenovo to provide warranty service, go to <http://www.ibm.com/partnerworld> and click **Business Partner Locator**. For IBM support telephone numbers, see <http://www.ibm.com/planetwide>. In the U.S. and Canada, call 1-800-IBM-SERV (1-800-426-7378).

In the U.S. and Canada, hardware service and support is available 24 hours a day, 7 days a week. In the U.K., these services are available Monday through Friday, from 9 a.m. to 6 p.m.

Taiwan product service

Use this information to contact product service for Taiwan.

委製商/進口商名稱: 荷蘭商聯想股份有限公司台灣分公司
進口商地址: 台北市內湖區堤頂大道2段89號5樓
進口商電話: 0800-000-702 (代表號)

Appendix E. Notices

This information was developed for products and services offered in the U.S.A.

IBM may not offer the products, services, or features discussed in this document in other countries. Consult your local IBM representative for information on the products and services currently available in your area. Any reference to an IBM product, program, or service is not intended to state or imply that only that IBM product, program, or service may be used. Any functionally equivalent product, program, or service that does not infringe any IBM intellectual property right may be used instead. However, it is the user's responsibility to evaluate and verify the operation of any non-IBM product, program, or service.

IBM may have patents or pending patent applications covering subject matter described in this document. The furnishing of this document does not give you any license to these patents. You can send license inquiries, in writing, to:

*IBM Director of Licensing
IBM Corporation
North Castle Drive
Armonk, NY 10504-1785
U.S.A.*

INTERNATIONAL BUSINESS MACHINES CORPORATION PROVIDES THIS PUBLICATION "AS IS" WITHOUT WARRANTY OF ANY KIND, EITHER EXPRESS OR IMPLIED, INCLUDING, BUT NOT LIMITED TO, THE IMPLIED WARRANTIES OF NON-INFRINGEMENT, MERCHANTABILITY OR FITNESS FOR A PARTICULAR PURPOSE. Some states do not allow disclaimer of express or implied warranties in certain transactions, therefore, this statement may not apply to you.

This information could include technical inaccuracies or typographical errors. Changes are periodically made to the information herein; these changes will be incorporated in new editions of the publication. IBM may make improvements and/or changes in the product(s) and/or the program(s) described in this publication at any time without notice.

Any references in this information to non-IBM websites are provided for convenience only and do not in any manner serve as an endorsement of those websites. The materials at those websites are not part of the materials for this IBM product, and use of those websites is at your own risk.

IBM may use or distribute any of the information you supply in any way it believes appropriate without incurring any obligation to you.

Trademarks

Lenovo, the Lenovo logo, Flex System, System x, NeXtScale System, and x Architecture are trademarks of Lenovo in the United States, other countries, or both.

Intel and Xeon are trademarks of Intel Corporation or its subsidiaries in the U.S. and/or other countries.

Internet Explorer, Microsoft, and Windows are trademarks of the Microsoft group of companies.

Linux is a registered trademark of Linus Torvalds.

Other company, product, or service names may be trademarks or service marks of others.

Important notes

Processor speed indicates the internal clock speed of the microprocessor; other factors also affect application performance.

CD or DVD drive speed is the variable read rate. Actual speeds vary and are often less than the possible maximum.

When referring to processor storage, real and virtual storage, or channel volume, KB stands for 1024 bytes, MB stands for 1,048,576 bytes, and GB stands for 1,073,741,824 bytes.

When referring to hard disk drive capacity or communications volume, MB stands for 1,000,000 bytes, and GB stands for 1,000,000,000 bytes. Total user-accessible capacity can vary depending on operating environments.

Maximum internal hard disk drive capacities assume the replacement of any standard hard disk drives and population of all hard disk drive bays with the largest currently supported drives that are available from IBM.

Maximum memory might require replacement of the standard memory with an optional memory module.

Each solid-state memory cell has an intrinsic, finite number of write cycles that the cell can incur. Therefore, a solid-state device has a maximum number of write cycles that it can be subjected to, expressed as “total bytes written” (TBW). A device that has exceeded this limit might fail to respond to system-generated commands or might be incapable of being written to. IBM is not responsible for replacement of a device that has exceeded its maximum guaranteed number of program/erase cycles, as documented in the Official Published Specifications for the device.

IBM makes no representation or warranties regarding non-IBM products and services that are ServerProven, including but not limited to the implied warranties of merchantability and fitness for a particular purpose. These products are offered and warranted solely by third parties.

IBM makes no representations or warranties with respect to non-IBM products. Support (if any) for the non-IBM products is provided by the third party, not IBM.

Some software might differ from its retail version (if available) and might not include user manuals or all program functionality.

Recycling information

Lenovo encourages owners of information technology (IT) equipment to responsibly recycle their equipment when it is no longer needed. Lenovo offers a variety of programs and services to assist equipment owners in recycling their IT products. For information on recycling Lenovo products, go to: <http://www.lenovo.com/recycling>.



US & Canada Only



US & Canada Only

Particulate contamination

Attention: Airborne particulates (including metal flakes or particles) and reactive gases acting alone or in combination with other environmental factors such as humidity or temperature might pose a risk to the device that is described in this document.

Risks that are posed by the presence of excessive particulate levels or concentrations of harmful gases include damage that might cause the device to malfunction or cease functioning altogether. This specification sets forth limits for particulates and gases that are intended to avoid such damage. The limits must not be viewed or used as definitive limits, because numerous other factors, such as temperature or moisture content of the air, can influence the impact of particulates or environmental corrosives and gaseous contaminant transfer. In the absence of specific limits that are set forth in this document, you must implement practices that maintain particulate and gas levels that are consistent with the protection of human health and safety. If IBM determines that the levels of particulates or gases in your environment have caused damage to the device, IBM may condition provision of repair or replacement of devices or parts on implementation of appropriate remedial measures to mitigate such environmental contamination. Implementation of such remedial measures is a customer responsibility.

Table 19. Limits for particulates and gases

Contaminant	Limits
Particulate	<ul style="list-style-type: none">The room air must be continuously filtered with 40% atmospheric dust spot efficiency (MERV 9) according to ASHRAE Standard 52.21.Air that enters a data center must be filtered to 99.97% efficiency or greater, using high-efficiency particulate air (HEPA) filters that meet MIL-STD-282.The deliquescent relative humidity of the particulate contamination must be more than 60%².The room must be free of conductive contamination such as zinc whiskers.
Gaseous	<ul style="list-style-type: none">Copper: Class G1 as per ANSI/ISA 71.04-19853Silver: Corrosion rate of less than 300 Å in 30 days
<p>1 ASHRAE 52.2-2008 - Method of Testing General Ventilation Air-Cleaning Devices for Removal Efficiency by Particle Size. Atlanta: American Society of Heating, Refrigerating and Air-Conditioning Engineers, Inc.</p> <p>2 The deliquescent relative humidity of particulate contamination is the relative humidity at which the dust absorbs enough water to become wet and promote ionic conduction.</p> <p>3 ANSI/ISA-71.04-1985. Environmental conditions for process measurement and control systems: Airborne contaminants. Instrument Society of America, Research Triangle Park, North Carolina, U.S.A.</p>	

Telecommunication regulatory statement

This product may not be certified in your country for connection by any means whatsoever to interfaces of public telecommunications networks. Further certification may be required by law prior to making any such connection. Contact a Lenovo representative or reseller for any questions.

Electronic emission notices

Federal Communications Commission (FCC) statement

Note: This equipment has been tested and found to comply with the limits for a Class A digital device, pursuant to Part 15 of the FCC Rules. These limits are designed to provide reasonable protection against

harmful interference when the equipment is operated in a commercial environment. This equipment generates, uses, and can radiate radio frequency energy and, if not installed and used in accordance with the instruction manual, may cause harmful interference to radio communications. Operation of this equipment in a residential area is likely to cause harmful interference, in which case the user will be required to correct the interference at his own expense.

Properly shielded and grounded cables and connectors must be used in order to meet FCC emission limits. IBM is not responsible for any radio or television interference caused by using other than recommended cables and connectors or by unauthorized changes or modifications to this equipment. Unauthorized changes or modifications could void the user's authority to operate the equipment.

This device complies with Part 15 of the FCC Rules. Operation is subject to the following two conditions: (1) this device may not cause harmful interference, and (2) this device must accept any interference received, including interference that might cause undesired operation.

Industry Canada Class A emission compliance statement

This Class A digital apparatus complies with Canadian ICES-003.

Avis de conformité à la réglementation d'Industrie Canada

Cet appareil numérique de la classe A est conforme à la norme NMB-003 du Canada.

Australia and New Zealand Class A statement

Attention: This is a Class A product. In a domestic environment this product may cause radio interference in which case the user may be required to take adequate measures.

European Union EMC Directive conformance statement

This product is in conformity with the protection requirements of EU Council Directive 2014/30/EU on the approximation of the laws of the Member States relating to electromagnetic compatibility. Lenovo cannot accept responsibility for any failure to satisfy the protection requirements resulting from a non-recommended modification of the product, including the installation of option cards from other manufacturers.

This product has been tested and found to comply with the limits for Class A equipment according to European Standards harmonized in the Directives in compliance. The limits for Class A equipment were derived for commercial and industrial environments to provide reasonable protection against interference with licensed communication equipment.

Lenovo, Einsteinova 21, 851 01 Bratislava, Slovakia

Warning: This is a Class A product. In a domestic environment this product may cause radio interference in which case the user may be required to take adequate measures.

Germany Class A statement

Deutschsprachiger EU Hinweis: Hinweis für Geräte der Klasse A EU-Richtlinie zur Elektromagnetischen Verträglichkeit

Deutschsprachiger EU Hinweis: Hinweis für Geräte der Klasse A EU-Richtlinie zur Elektromagnetischen Verträglichkeit Dieses Produkt entspricht den Schutzanforderungen der EU-Richtlinie 2014/30/EU (früher 2004/108/EC) zur Angleichung der Rechtsvorschriften über die elektromagnetische Verträglichkeit in den EU-Mitgliedsstaaten und hält die Grenzwerte der Klasse A der Norm gemäß Richtlinie.

Um dieses sicherzustellen, sind die Geräte wie in den Handbüchern beschrieben zu installieren und zu betreiben. Des Weiteren dürfen auch nur von der Lenovo empfohlene Kabel angeschlossen werden. Lenovo übernimmt keine Verantwortung für die Einhaltung der Schutzanforderungen, wenn das Produkt ohne Zustimmung der Lenovo verändert bzw. wenn Erweiterungskomponenten von Fremdherstellern ohne Empfehlung der Lenovo gesteckt/eingebaut werden.

Deutschland:

Einhaltung des Gesetzes über die elektromagnetische Verträglichkeit von Betriebsmitteln Dieses Produkt entspricht dem „Gesetz über die elektromagnetische Verträglichkeit von Betriebsmitteln“ EMVG (früher „Gesetz über die elektromagnetische Verträglichkeit von Geräten“). Dies ist die Umsetzung der EU-Richtlinie 2014/30/EU (früher 2004/108/EC) in der Bundesrepublik Deutschland.

Zulassungsbescheinigung laut dem Deutschen Gesetz über die elektromagnetische Verträglichkeit von Betriebsmitteln, EMVG vom 20. Juli 2007 (früher Gesetz über die elektromagnetische Verträglichkeit von Geräten), bzw. der EMV EU Richtlinie 2014/30/EU (früher 2004/108/EC), für Geräte der Klasse A.

Dieses Gerät ist berechtigt, in Übereinstimmung mit dem Deutschen EMVG das EG-Konformitätszeichen - CE - zu führen. Verantwortlich für die Konformitätserklärung nach Paragraf 5 des EMVG ist die Lenovo (Deutschland) GmbH, Meitnerstr. 9, D-70563 Stuttgart.

Informationen in Hinsicht EMVG Paragraf 4 Abs. (1) 4: **Das Gerät erfüllt die Schutzanforderungen nach EN 55024 und EN 55022 Klasse A.**

Nach der EN 55022: „Dies ist eine Einrichtung der Klasse A. Diese Einrichtung kann im Wohnbereich Funkstörungen verursachen; in diesem Fall kann vom Betreiber verlangt werden, angemessene Maßnahmen durchzuführen und dafür aufzukommen.“

Nach dem EMVG: „Geräte dürfen an Orten, für die sie nicht ausreichend entstört sind, nur mit besonderer Genehmigung des Bundesministers für Post und Telekommunikation oder des Bundesamtes für Post und Telekommunikation betrieben werden. Die Genehmigung wird erteilt, wenn keine elektromagnetischen Störungen zu erwarten sind.“ (Auszug aus dem EMVG, Paragraph 3, Abs. 4). Dieses Genehmigungsverfahren ist nach Paragraph 9 EMVG in Verbindung mit der entsprechenden Kostenverordnung (Amtsblatt 14/93) kostenpflichtig.

Anmerkung: Um die Einhaltung des EMVG sicherzustellen sind die Geräte, wie in den Handbüchern angegeben, zu installieren und zu betreiben.

Japanese electromagnetic compatibility statements

Japan VCCI Class A statement

この装置は、クラスA情報技術装置です。この装置を家庭環境で使用すると電波障害を引き起こすことがあります。この場合には使用者が適切な対策を講ずるよう要求されることがあります。 V C C I - A

Japanese Electrical Appliance and Material Safety Law statement (for detachable AC power cord)

本製品およびオプションに電源コード・セットが付属する場合は、それぞれ専用のものになっていますので他の電気機器には使用しないでください。

JEITA harmonics guideline - Japanese Statement for AC power consumption (W)

定格入力電力表示

(社) 電子情報技術参照委員会 家電・汎用品高調波抑制対策ガイドライン
実行計画書に基づく定格入力電力値: W

お手持ちのユニットの定格入力電力値(W)はユニットの電源装置に貼付
されている電源仕様ラベルをご参照下さい

JEITA harmonics guideline - Japanese Statement of Compliance for Products Less than or Equal to 20A per phase

JEITA 高調波電流抑制対策適合品表示 (JEITA harmonics statements– Japan)

定格電流が 20A/相以下の機器 (For products where input current is less than or equal to 20A per phase)

日本の定格電流が 20A/相 以下の機器に対する高調波電流規制高調波電流規格
JIS C 61000-3-2 適合品

JEITA harmonics guideline - Japanese Statement of Compliance for Products More than 20A

定格電流が 20A/相を超える機器 (For products where input current is less than 20A/Phase of one PSU, but total system power is over 20A/Phase)

本製品は、1相当たり20Aを超える機器ですが、個々のユニットが「高調波電流規格 JIS C 61000-3-2適合品」であり、
本製品はその組み合わせであるため、「高調波電流規格 JIS C 61000-3-2適合品」としてあります

Korea Communications Commission (KCC) statement

이 기기는 업무용(A급)으로 전자파적합기기로서 판매자 또는 사용자는 이 점을 주의하시기 바라며, 가정외의 지역에서 사용하는 것을 목적으로 합니다.

This is electromagnetic wave compatibility equipment for business (Type A). Sellers and users need to pay attention to it. This is for any areas other than home.

Russia Electromagnetic Interference (EMI) Class A statement

ВНИМАНИЕ!

Настоящее изделие относится к оборудованию класса А. При использовании в бытовой обстановке это оборудование может нарушать функционирование других технических средств в результате создаваемых промышленных радиопомех. В этом случае от пользователя может потребоваться принятие адекватных мер.

People's Republic of China Class A electronic emission statement

声 明

此为 A 级产品。在生活环境中，该产品可能会造成无线电干扰。在这种情况下，可能需要用户对其干扰采取切实可行的措施。

Taiwan Class A compliance statement

警告使用者：
這是甲類的資訊產品，在居住的環境中使用時，可能會造成射頻干擾，在這種情況下，使用者會被要求採取某些適當的對策。

Taiwan BSMI RoHS declaration

單元 Unit	限用物質及其化學符號 Restricted substances and its chemical symbols					
	鉛Lead (Pb)	汞Mercury (Hg)	鎘Cadmium (Cd)	六價鉻 Hexavalent chromium (Cr ⁶⁺)	多溴聯苯 Polybrominated biphenyls (PBB)	多溴二苯醚 Polybrominated diphenyl ethers (PBDE)
機架	○	○	○	○	○	○
外部蓋板	○	○	○	○	○	○
機械組零件	-	○	○	○	○	○
空氣傳動設備	-	○	○	○	○	○
冷卻組零件	-	○	○	○	○	○
內存模塊	-	○	○	○	○	○
處理器模塊	-	○	○	○	○	○
鍵盤	-	○	○	○	○	○
調製解調器	-	○	○	○	○	○
監視器	-	○	○	○	○	○
滑鼠	-	○	○	○	○	○
電纜組零件	-	○	○	○	○	○
電源	-	○	○	○	○	○
儲備設備	-	○	○	○	○	○
電池匣組零件	-	○	○	○	○	○
電池	-	○	○	○	○	○
有mech的電路卡	-	○	○	○	○	○
無mech的電路卡	-	○	○	○	○	○
雷射器	-	○	○	○	○	○

備考1. “超出0.1 wt %” 及 “超出0.01 wt %” 係指限用物質之百分比含量超出百分比含量基準值。
 Note1: “exceeding 0.1wt%” and “exceeding 0.01 wt%” indicate that the percentage content of the restricted substance exceeds the reference percentage value of presence condition.

備考2. “○” 係指該項限用物質之百分比含量未超出百分比含量基準值。
 Note2: “○” indicates that the percentage content of the restricted substance does not exceed the percentage of reference value of presence.

備考3. “-” 係指該項限用物質為排除項目。
 Note3: The “-” indicates that the restricted substance corresponds to the exemption.

Index

A

- ABR, automatic boot failure recovery 152
- ac good LED 123
- ac power LED 21
- acoustical noise emissions 8
- Active Energy Manager plug-in 9
- adapter
 - installing 51
 - PCI Express bus 201
 - PCI-X bus 201
 - remote battery
 - installing 69, 227
 - removing 226
 - replacing 201
- adapter, installation 49
- adapter, replacing 202
- adapter, ServeRAID
 - installing 52
 - removing 224
- adapter, ServeRAID SAS/SATA
 - installing 225
- adapters supported 49
- administrator password 90
- Advanced Settings Utility program
 - overview 100
- air baffle
 - removing 36
 - replacing 76, 200
- air baffler
 - removing 200
- applying current firmware
 - using best practices 25
- arrays, RAID
 - configuring 98
- assertion event, system-event log 124
- assistance, getting 759
- attention notices 5
- Australia Class A statement 766
- automatic boot failure recovery (ABR) 152
- availability, server 13

B

- backplane
 - for 4x2.5-inch drives 206
 - for 8x1.8-inch drives 207
 - for 8x2.5-inch drives 207
 - supported configurations 206
- backplane assembly, hot-swap SAS/SATA
 - removing 268
- backplane configurations
 - supported SAS/SATA 208
- backplane, hot-swap SAS/SATA
 - removing 266
 - replacing 267
- backup firmware
 - starting 92
- battery, replacing 255
- battery, system
 - installing 255
 - replacing 252
- bays 6
- best practices
 - use to apply current firmware and device-driver updates 25
- bezel
 - removing 198
- blue screen capture features 12, 83

- blue-screen capture feature
 - overview 12, 83, 95
- blue-screen feature 95
- boot manager program
 - using 92
- Business Partners instructions 25
- button, presence detection 17

C

- cables
 - connecting 78
- cables, power and signal
 - connecting to internal drives 169
- cabling
 - the 4x2.5-inch hot-swap drive backplane 173
 - the 8x2.5-inch hot-swap drive backplane 178
 - the hot-swap SATA drive backplane assembly 187
 - the optical drive 169
 - the power interposer card assembly 171
 - the simple-swap SATA drive backplate assembly 192
- call home feature
 - Electronic Service Agent 129
 - Service Advisor 129
- call home tools 129
- caution statements 5
- CD drive
 - installing 219
 - problems 130
 - removing 218
 - replacing 214
- CD-RW/DVD
 - drive activity LED 16
 - eject button 16
- CD/DVD
 - replacing 215
- channels, memory
 - associated with the DIMM connectors 38
- checkout procedure 110
 - performing 110
- China Class A electronic emission statement 769
- Class A electronic emission notice 766
- collecting data 107
- completing
 - the options installation 75
- components
 - on the server 155
 - server 26
- configuration
 - ServerGuide Setup and Installation CD 81
 - Setup utility 81
- configuration cable,
 - routing 173, 178, 187
- configuration, server
 - updating 79
- configurations, backplane
 - supported 208
- configuring
 - RAID arrays 98
 - UEFI compatible devices 82
 - with ServerGuide 84
- configuring the server 82
- configuring your server 81
- connecting
 - the cables 78
- connecting drive cables 169
- connector

- Ethernet and system-management 22
- power supply 21
- serial 21
- USB 16, 21
- video
 - front 16
 - rear 21
- connectors
 - external 28
 - for options on the system board 31
 - internal 28
 - on the rear of the server 19
 - rear 19
- connectors, internal system board 28
- consumable parts 165
- contamination, particulate and gaseous 8, 765
- controllers
 - Ethernet 97
- controls and LEDs
 - on the light path diagnostics panel 18, 115
 - on the operator information panel 16
- controls, LEDs, and power 15
- cooling 12
- cover
 - removing 196
- cover, removing 35
- cover, server
 - replacing 77, 197
- creating
 - software RAID 99
- creating a personalized support web page 760
- CRUs, replacing
 - adapter 201
 - CD or DVD drive 214
 - DIMMs 222
 - memory 222
 - system battery 252
- custom support web page 760
- customer replaceable units (CRUs), server 155

D

- danger statements 5
- data collection 107
- dc good LED 123
- dc power LED 21
- deassertion event, system-event log 124
- device drivers 92
- devices
 - installing 25
- devices, static-sensitive
 - handling 35
- diagnostic
 - test log, viewing 128
 - text message format 128
 - tools, overview 111
- diagnostic event log 124
- diagnostics program
 - DSA Preboot 9
- DIMM connectors
 - associated with each microprocessor 38
- DIMM connectors on
 - each memory channel 38
- DIMM population sequence 39–40
- DIMMs
 - installation sequence for independent mode 39
 - installing 37
 - order of installation for non-mirroring mode 39
 - removing 222
 - replacing 222
- display problems 138
- documentation
 - Documentation Browser 4

- Documentation CD 3
 - using 760
- documentation, updated
 - finding 4
- drive
 - hot-swap SAS/SATA
 - removing 204
 - drive backplane
 - for 4x2.5-inch drives 206
 - for 8x1.8-inch drives 207
 - for 8x2.5-inch drives 207
 - supported configurations 206
 - drive backplane assembly, 4x2.5-inch hot-swap
 - installing 71
 - drive backplane configurations
 - supported SAS/SATA 208
 - drive backplane, 4x2.5-inch hot-swap
 - cabling 173
 - drive backplane, 8x2.5-inch hot-swap
 - cabling 178
 - drive, CD/DVD
 - installing 219
 - removing 218
 - drive, hot-swap 43, 205
 - removing 204
 - SAS/SATA IDs 44, 212
 - drive, simple-swap 45
- drives
 - connecting power and signal cables 169
 - installing 42
- drives, SAS/SATA
 - hot-swap 43, 205
- drives, SATA
 - simple-swap 45
- DSA
 - program, overview 126
- DSA data
 - how to send to Lenovo 26
- DSA event log 124
- DSA Portable 112, 127
- DSA Preboot 9, 112, 127
- DSA, sending data 760
- DVD drive
 - installing 219
 - problems 130
 - removing 218
 - replacing 214
- Dynamic System Analysis (DSA) Preboot diagnostics
 - program 9

E

- electrical equipment, servicing vii
- electrical input 8
- electronic emission Class A notice 766
- Electronic emission notices 765
- Electronic Service Agent 129
- embedded hypervisor
 - using 94
- environment 8
- error codes and messages
 - Integrated Management Module II (IMM2) 287
 - messages, diagnostic 126
 - UEFI (POST) 607
- error logs
 - clearing 126
 - viewing 124
- error messages 129
- error messages, Integrated Management Module II (IMM2) 287
- error symptoms
 - CD drive, DVD drive 130
 - general 131
 - hard disk drive 132

- hypervisor flash device 131
- intermittent 135
- keyboard, non-USB 136
- memory 137
- microprocessor 138
- monitor 138
- mouse, non-USB 136
- network 141
- optional devices 142
- pointing device, non-USB 136
- power 143
- serial port 145
- ServerGuide 146
- software 147
- USB port 147
- errors
 - format, diagnostic code 128
 - power supply LEDs 122
- Ethernet 12
 - controller
 - troubleshooting 148
 - link status LED 21
- Ethernet activity
 - LED 17, 21
- Ethernet and system-management connector 22
- Ethernet support 11
- European Union EMC Directive conformance statement 766
- event log, DSA 124
- event log, IMM2 124
- event log, POST 123
- event log, system 123
- event log, viewing through the web interface 124
- event logs 123
 - viewing through the Setup utility 124
 - viewing without restarting the server 124
- event logs, methods for viewing 125
- events, Integrated Management Module II (IMM2) 287
- expansion bays 6
- external connectors 28

F

- fan
 - replacing 220
- fans 12
- FCC Class A notice 766
- features 6
 - ServerGuide 84
- features, remote presence and blue-screen 12, 83
- field replaceable units (FRUs), server 155
- finding
 - updated documentation 4
- firmware updates 1
- firmware updates best practices 25
- firmware, server
 - updating 54
- firmware, server, recovering 151
- firmware, updating 81
- front USB connector board
 - removing 257
 - replacing 258, 261
- front video connector
 - removing 260
- front video connector \
 - removing 260
- front view
 - LED location 15
- front view of the server 15

G

- gaseous contamination 8, 765

- Germany Class A statement 766
- grease, thermal 58, 277
- guidelines
 - for options installation 33
 - for system reliability 34
 - servicing electrical equipment vii
 - trained service technicians vi

H

- handling static-sensitive devices 35
- hard disk drive
 - problems 132
- hard disk drive activity LED 16
- hard disk drive status LED 15
- hardware RAID cable,
 - routing 176, 181, 185, 190, 194
- hardware service and support telephone numbers 761
- heat output 8
- heat sink
 - installing 53, 57
 - replacing 273
- help
 - from the World Wide Web 760
 - from World Wide Web 760
 - sending diagnostic data 760
 - sources of 759
- hot-swap dc power supply
 - installing 62
 - replacing 238
- hot-swap drive
 - SAS/SATA IDs 44, 212
- hot-swap drive backplane assembly, 4x2.5-inch hot-swap
 - installing 71
- hot-swap drive, SAS/SATA
 - removing 204
- hot-swap SAS/SATA backplane
 - installing 267
 - removing 266
- hot-swap SAS/SATA drive
 - installing 43, 205
- how to send DSA data to Lenovo 26
- Human Interface Infrastructure configuration utility program 98
- humidity 8
- hypervisor
 - removing 228
- hypervisor flash device
 - installing 67
 - problems 131
- hypervisor flash device
 - installing 230

I

- IBM Systems Director 9
- IBM, next generation technology 9
- IDs for SAS/SATA hot-swap drives 44, 212
- IMM IP address
 - obtaining 95
- IMM2 event log 124
- important notices 5, 764
- independent mode DIMM population sequence
 - on the server 39
- Industry Canada Class A emission compliance statement 766
- information center 760
- inspecting for unsafe conditions vi
- installation guidelines 33
- installation, options
 - completing 75
- installing
 - a fan 220
 - a heat sink 57

- a hot-swap power supply 59
- a microprocessor 53–54
- a PCI riser-card assembly 48
- a RAID adapter remote battery 69, 227
- a ServeRAID controller 225
- an adapter 49, 51
- battery, system 255
- hot-swap dc power supply 62
- hot-swap SAS/SATA drive 43, 205
- hypervisor flash device 67, 230
- memory modules 37
- operator-information panel 251
- power interposer card assembly 265
- simple-swap SATA drive 45
- the 4x2.5-inch hot-swap drive backplane assembly 71
- the air baffle 76, 200
- the CD/DVD cable 219
- the heat sink 53, 57, 276
- the hot-swap SAS/SATA backplane 267
- the ServeRAID controller 52
- the simple-swap SATA drive and backplate assembly 269
- the system board 283
- installing drives 42
- installing options 25
- installing, DIMMs 37
- instructions for Business Partners 25
- instructions for IBM Business Partners 25
- integrated baseboard management controller 23
- integrated functions 6
- integrated management module
 - overview 9
- Integrated Management Module II (IMM2) error messages 287
- Integrated Management Module II (IMM2) events 287
- intermittent problems 135
- internal connectors 28
- internal LEDs 28
- internal, system board connectors 28
- IP address
 - obtaining for the IMM 95
- IPMItool 125

J

- Japanese electromagnetic compatibility statements 767
- jumper
 - UEFI boot recovery 151
- jumpers 28
 - on the system board 29
- jumpers, on the system board 29

K

- keyboard problems 136
- Korea Class A electronic emission statement 768

L

- LED
 - ac power 21
 - dc power 21
 - Ethernet-link status 21
 - for CD-RW/DVD drive activity 16
 - for Ethernet activity 17, 21
 - for hard disk drive activity 16
 - for hard disk drive status 15
 - for solid state drive activity 16
 - for solid state drive status 15
 - power-on 17
 - power-supply error 21
 - system locator 17

- system log 17
- system-error 18
- LED errors
 - power supply 122
- LEDs
 - on the system board 30
- Lenovo XClarity Administrator 9
 - updating 100
- light path diagnostics 11, 113
 - LEDs 117
- light path diagnostics LEDs 118
- light path diagnostics panel
 - controls and LEDs 18, 115
 - location 16
- local area network (LAN) 11
- log, event, viewing through the web interface 124
- logs, event 123
- LSI Configuration Utility program 98

M

- management, system 9
- memory
 - removing 222
 - replacing 222
 - specifications 6
- memory installation sequence
 - for independent mode 39
- memory module
 - installing 37
- memory problems 137
- memory support 11
- memory-mirroring mode 39
 - description 39
- memory-mirroring mode DIMM population sequence
 - on the server 40
- messages
 - diagnostic 126
- messages, error
 - POST 607
- methods, for viewing event logs 125
- microprocessor 12
 - and thermal grease 58, 277
 - associated with each DIMM 38
 - installing 53–54
 - problems 138
 - replacing 273
 - specifications 6
- Mobile access to IBM Service Information website 11
- model and serial number
 - location 149
- monitor problems 138

N

- network problems 141
- New Zealand Class A statement 766
- next generation technology 9
- NOS installation
 - with ServerGuide 84
 - without ServerGuide 85
- notes 5
- notes, important 764
- notices 763
 - electronic emission 766
 - FCC, Class A 766
- notices and statements 5
- Nx boot failure 152

O

- obtaining
 - the IP address for the IMM 95
- online documentation 1
- online publications 4
- operator information panel
 - controls and LEDs 16
 - removing 250–251
- operator information panel release latch 16
- optical
 - replacing 46
- optical drive
 - cabling 169
- optical drive, optional
 - specifications 6
- optional device connectors
 - on the system board 31
- optional device problems 142
- options
 - installing 25

P

- particulate contamination 8, 765
- parts listing, server 155
- parts listing, System x3530 M4 157–165
- parts, consumable 165
- parts, structural 166
- password 91
 - administrator 91
 - power-on 91
- password, power-on
 - switch on the system board 91
- PCI
 - riser-card assembly 248
 - replacing 249
- PCI expansion slots 6
- PCI riser
 - slot 1 21
 - slot 2 21
- PCI riser-card assembly
 - installing 48
 - replacing 76
- People's Republic of China Class A electronic emission statement 769
- POST
 - error codes 607
 - error log 124
- POST event log 123
- POST test 126
- power
 - power-control button 17
 - specifications 8
 - supply 6
 - power and signal cables
 - connecting to internal drives 169
 - power cable,
 - routing 174, 179, 183, 188, 192
 - power features
 - of the server 22
 - power interposer card assembly
 - cabling 171
 - removing 263
 - replacing 265
 - power problems 143, 147
 - power supplies
 - redundancy support 12
 - power supply
 - installing 59
 - power supply LED errors 122
 - power supply, fixed
 - removing 243
 - replacing 245
 - power supply, hot-swap
 - removing 231
 - replacing 233
 - power-on LED 17, 22
 - power-on password 90
 - power-supply error LED 21
 - Preboot, DSA 9
 - presence detection button 17
 - problem isolation tables 129
 - problems
 - CD/DVD drive 130
 - Ethernet controller 148
 - hard disk drive 132
 - hypervisor flash device 131
 - intermittent 135
 - memory 137
 - microprocessor 138
 - monitor 138
 - mouse 136
 - network 141
 - optional devices 142
 - pointing device 136
 - power 143, 147
 - serial port 145
 - software 147
 - troubleshooting 107
 - undetermined 149
 - USB port 147
 - video 138, 147
 - procedure, checkout 110
 - product service, Taiwan 761

R

- rack release latches 15
- RAID arrays
 - configuring 98
- RAID battery cable, remote
 - routing 173
- rank sparing
 - description 39
- rank sparing mode 39
- rank sparing mode DIMM population sequence
 - on the server 39
- RAS features, server 13
- rear view 19
 - of the server 19
- recovering the server firmware 151
- redundancy support
 - power supplies 12
- redundant
 - cooling 12
 - Ethernet connection 12
 - NIC 12
- Redundant
 - Ethernet capabilities 14
 - hot-swap power supplies 14
- redundant array of independent disks (RAID)
 - adapter 44, 46, 206
- related documentation 4
- reliability, server 13
- remind button 19, 117
- remote battery, RAID adapter
 - installing 69, 227
 - removing 226
- remote presence feature 83
 - using 95
- removing
 - a fan 220
 - a hot-swap drive 204
 - a hot-swap power supply 231
 - a power interposer card assembly 263

- a RAID adapter remote battery 226
- a ServeRAID adapter 224
 - adapter 201
 - battery, system 252
 - CD or DVD drive 214
 - DIMM 222
 - fixed power supply 243
 - hot-swap dc power supply 235
 - hypervisor 228
 - the air baffle 36, 200
 - the bezel 198
 - the CD/DVD cable 218
 - the front USB connector board 257
 - the front video connector 260
 - the hot-swap SAS/SATA backplane 266
 - the SATA backplate assembly 268
 - the simple-swap SATA backplate assembly 268
- removing and replacing
 - Tier 1 CRUs 201
- removing the cover 35, 196
- removing/replacing
 - operator information panel 250–251
 - the system board 278
- replacement parts for the server 155
- replacing
 - a CD/DVD 215
 - a heat sink 273
 - a hot-swap power supply 233
 - a microprocessor 273
 - a optical 46
 - a PCI riser-card assembly 76, 249
 - battery, system 252, 255
 - CD or DVD drive 214
 - fixed power supply 245
 - hot-swap dc power supply 238
 - hot-swap SAS/SATA backplane 267
 - hypervisor flash device 230
 - memory DIMMs 222
 - power interposer card assembly 265
 - the air baffle 76, 200
 - the CD/DVD cable 219
 - the front USB connector board 258, 261
 - the server cover 77, 197
 - the simple-swap SATA drive and backplate assembly 269
 - the system board 283
 - notes to consider 283
- replacing an adapter 202
- reset button 18–19, 117
- riser-card assembly
 - location 201
- routing
 - the configuration cable 173, 178, 187
 - the hardware RAID cable 176, 181, 185, 190, 194
 - the power cable 174, 179, 183, 188, 192
 - the remote RAID battery cable 173
 - the software RAID cable 177, 182, 186, 191, 195
- Russia Class A electronic emission statement 768

S

- safety v
- safety statements v, viii
- SAS/SATA backplane
 - supported configurations 208
- SAS/SATA drive
 - hot-swap
 - removing 204
 - SAS/SATA hot-swap drive
 - installing 43, 205
 - SAS/SATA IDs
 - for hot-swap drives 44, 212
 - SATA simple-swap drive
 - installing 45
- sending diagnostic data 760
- sending DSA data
 - to Lenovo 26
- serial and model number
 - location 149
- serial connector 21
- serial number 1
- serial port problems 145
- server
 - configuring 82
 - offerings 9
 - power features 22
 - turning it off 23
 - turning it on 22
 - server, backup firmware
 - starting 92
 - server components 26, 155
 - server configuration
 - updating 79
 - server controls, LEDs, and power 15
 - server firmware
 - updating 54
 - server firmware, recovering 151
 - server rear view 19
 - server replaceable units 155
 - server shutdown 23
 - server, front view 15
 - ServeRAID controller
 - installing 52
 - ServeRAID support 12
 - ServerGuide
 - features 84
 - NOS installation 84
 - setup 84
 - Setup and Installation CD 81
 - using 83
 - ServerGuide CD 1, 10
 - Service Advisor feature 129
 - service and support
 - before you call 759
 - hardware 761
 - software 761
 - service bulletins 109
 - serviceability, server 13
 - servicing electrical equipment vii
 - Setup utility 81
 - starting 85
 - using 85
 - shutting down the server 23
 - signal and power cables
 - connecting to internal drives 169
 - simple-swap SATA backplate assembly
 - removing 268
 - simple-swap SATA drive
 - installing 45
 - simple-swap SATA drive and backplate assembly
 - installing 269
 - simple-swap SATA drive backplate assembly
 - cabling 187, 192
 - size 8
 - slots
 - PCI expansion 6
 - SMP 12
 - software problems 147
 - software RAID
 - creating 99
 - software RAID cable,
 - routing 177, 182, 186, 191, 195
 - software service and support telephone numbers 761
 - software, RAID
 - creating 99
 - solid state drive activity LED 16
 - solid state drive status LED 15
 - solid state drive, ServeRAID controller
 - removing 224

- specifications 6
- standby mode 22
- starting
 - the backup firmware 92
 - the Setup utility 85
- statements and notices 5
- static-sensitive devices
 - handling 35
- structural parts 166
- support web page, custom 760
- symmetric multiprocessing 12
- system
 - error LED front 18
 - locator LED, front 17
- System
 - Log LED 17
- system board
 - external connectors 28
 - installing 283
 - internal connectors 28
 - jumpers 29
 - LEDs 30
 - power-on password switch 91
 - removing 278
- system board internal connectors 28
- system board jumpers
 - description 29
- system board optional devices connectors 31
- system event logs 124
- system reliability guidelines 34
- system-event log 123
- system-event log, assertion event 124
- system-event log, deassertion event 124
- Systems Director
 - systems management tool 14
 - updating 100
- systems management 9, 13
- systems management tool
 - Systems Director 14

T

- Taiwan BSMI RoHS declaration 770
- Taiwan Class A electronic emission statement 769
- Taiwan product service 761
- telecommunication regulatory statement 765
- telephone numbers 761
- temperature 8
- test log, viewing 128
- thermal grease 58, 277
- Tier 1 CRUs
 - removing and replacing 201
- TOE 6
- tools, call home 129
- tools, diagnostic 111
- trademarks 763
- trained service technicians, guidelines vi
- troubleshooting 107
- turning off the server 23
 - integrated baseboard management controller 23

- turning on the server 22

U

- UEFI
 - boot recovery jumper 151
 - error codes 607
- UEFI compatible devices
 - configuring 82
- undetermined problems 149
- undocumented problems 109
- United States electronic emission Class A notice 766
- United States FCC Class A notice 766
- Universal Serial Bus (USB) problems 147
- unsafe conditions, inspecting for vi
- UpdateXpress 92
- updating
 - Lenovo XClarity Administrator 100
 - server firmware 54
 - Systems Director 100
 - the server configuration 79
- updating firmware 81
- USB
 - connector 16, 21
- using
 - embedded hypervisor 94
 - the boot manager program 92
 - the remote presence feature 95
 - the Setup utility 85
- using best practices
 - to apply firmware and device-driver updates 25
- Utility program
 - Advanced Settings 100
- utility, Setup
 - starting 85
 - using 85

V

- video connector
 - front 16
 - rear 21
- video controller, integrated
 - specifications 6
- video problems 138
- viewing
 - event logs through the Setup utility 124
- viewing event logs
 - without restarting the server 124

W

- Wake on LAN feature 22
- Web site
 - UEFI flash diskette 151
- weight 8
- what the server offers 9

Lenovo™